



VII. Convertors

Convector **UC1**

All the heat you need in one light and compact convector

Combining modern design and high capacity, the UC1 single pipe convector is the lightest in MCC's product range and small enough to fit in tight spaces. The UC1 Convector

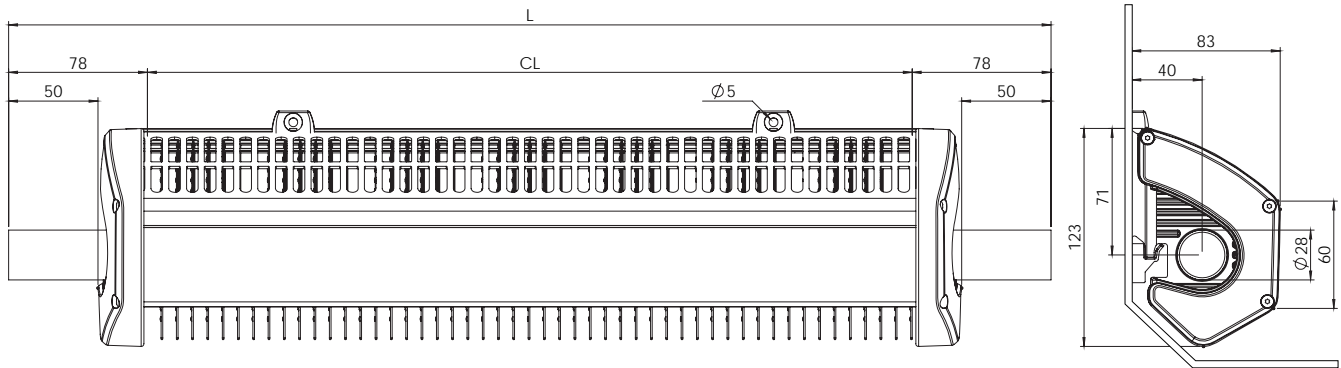
is built around a single pipe made of aluminum or copper. This means the convector is very compact and requires a small mounting footprint.



Features

- Suitable for heating in buses and coaches
- Designed for vehicles with water glycol based heating systems
- Quiet and draft-free heating
- Maintenance free
- Single pipe for compact design
- Shaped to fit reinforced wall structures

Convector UC1



Face is shaped for reinforced wall structure

Dimensions in mm

Technical Data

Heat output	1604 Btu/hr (0.47 kW) $Q_{60}^{[1]}$	2661 Btu/hr (0.78 kW) $Q_{100}^{[1]}$
Piping	Copper or aluminium \varnothing 1.1" (28 mm) for hose connection	
Weight	Copper 14 lbs/ft (1.93 kg/m) , aluminium 12 lbs/ft (1.71 kg/m)	
Maximum length	197" (5 m)	
Color	Silver anodized aluminium	
	Please contact your MCC representative for more details	

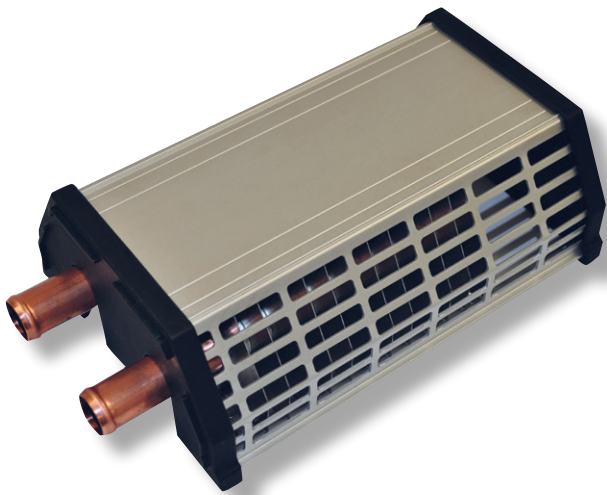
[1] The Q_x value stands for the power in kW emitted from a unit length (1 m) of the convector at a temperature difference between coolant inlet and room air equal to the subscript (x) .

Convector P90

Highly efficient and comfortable bus heating

MCC Convector P90 is based on a twin copper pipe system that supplies efficient heat in a space saving design. Can be used as a stand alone unit or part of a complete heat-

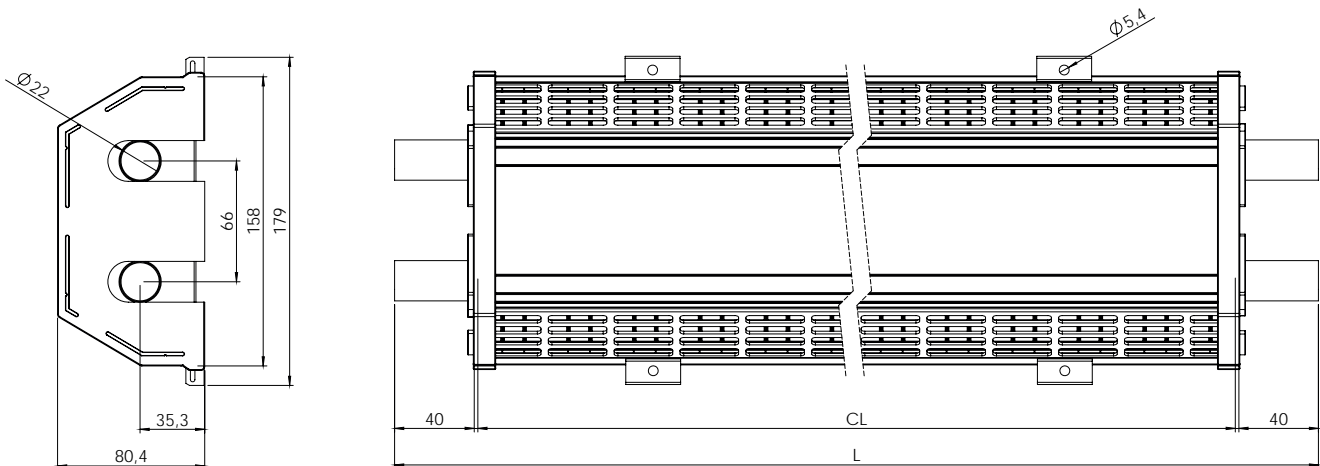
ing system. Transition pieces are available to accommodate bulk heads, wheel wells and doors.



Features

- Suitable for heating buses, coaches and other vehicles
- Designed for vehicles with water/glycol heating systems
- Quiet and draft-free heating
- Maintenance free
- Robust design
- Twin pipe design for optimized heat output

Convector P90



Dimensions in mm

Technical Data

Heat output	1880 Btu/hr (0.55 kW) $Q_{60}^{[1]}$	3347 Btu/hr (0.98 kW) $Q_{100}^{[1]}$
Piping	Copper Ø 0.8" (22 mm)	
Weight	25 lbs/ft (3.14 kg/m)	
Maximum length	197" (5 m)	
Color	Silver anodized aluminium	
	Please contact your MCC representative for more details	

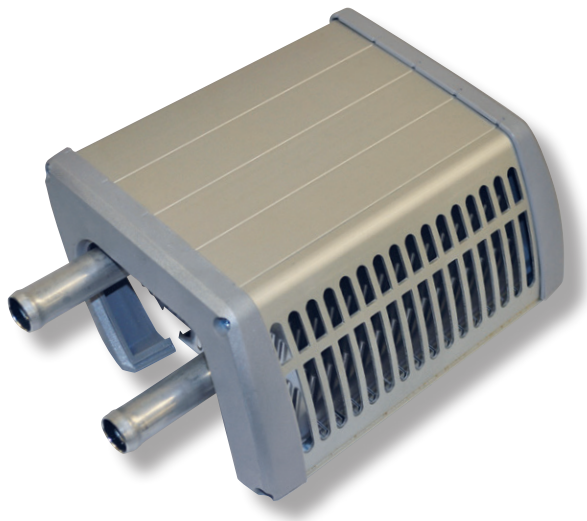
[1] The Q_x value stands for the power in kW emitted from a unit length (1 m) of the convector at a temperature difference between coolant inlet and room air equal to the subscript (x) .

Convector **UC9**

High heat output at a low weight

The new MCC Convector UC9 provides efficient heating in a compact design. This convector has been specially designed to deliver maximum heat output. It is designed to fit

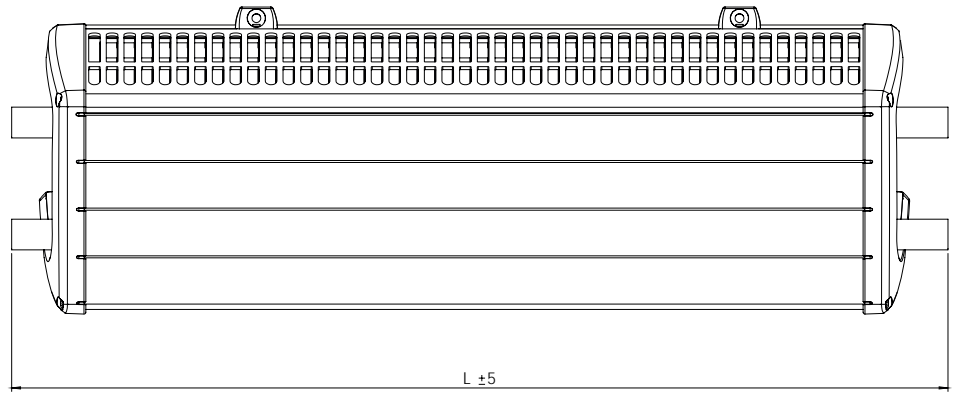
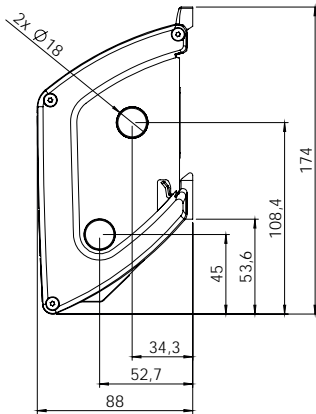
in buses with reinforced wall structure and comes with the necessary hardware to make installation easy.



Features

- Designed to heat buses, coaches and marine applications
- Suitable for vehicles with water/glycol based heating systems
- High output
- Light and compact
- Quiet and draft-free heating
- Maintenance free
- Twin pipe for optimized heat output
- Shaped to fit reinforced wall structure

Convector UC9



Dimensions in mm

Technical Data

Heat output	2091 Btu/hr (0.61 kW) Q_{60}	3467 Btu/hr (1 kW) Q_{100} [1]
Piping	Copper Ø 0.7" (18 mm) + aluminium with hose connections	
Weight	Copper 2.6 kg/m, aluminium 2.34 kg/m	
Maximum length	197" (5 m)	
Color	Silver anodized aluminium	
	Please contact your MCC representative for more details	

[1] The Q_x value stands for the power in kW emitted from a unit length (1 m) of the convector at a temperature difference between coolant inlet and room air equal to the subscript (x) .

Convector P200

Efficient bus heating

MCC convector P200 offers efficient heating and can be integrated with the Whisper 200 family. The P200 is a twin pipe design made of copper or aluminum that carries

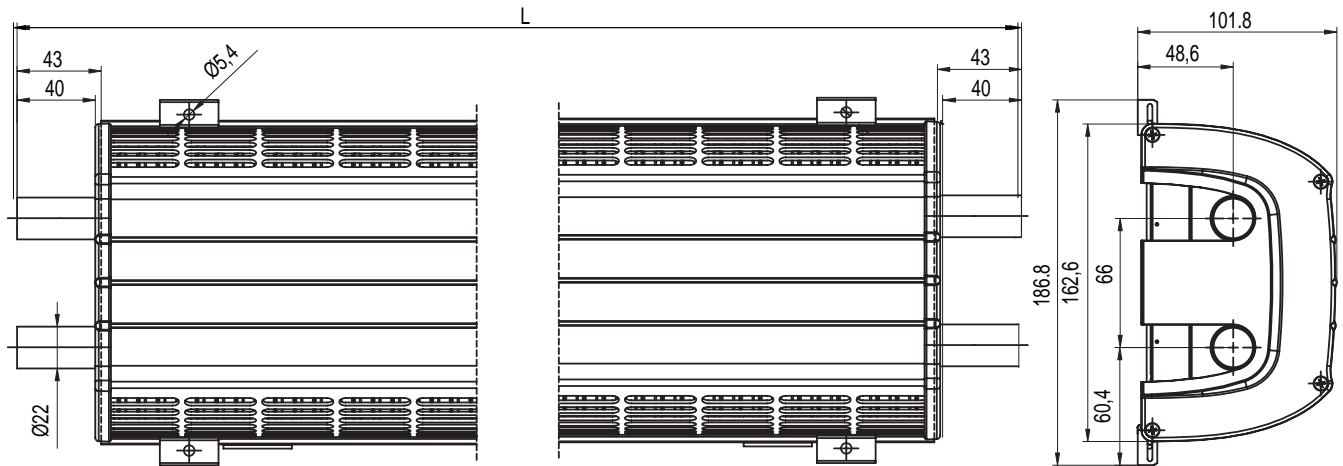
glycol based coolant through the convector. Coil producing up to as much as 714W/m of heat.



Features

- Suitable for heating buses, coaches where highly efficient heating is required
- Designed for vehicles with water/glycol based heating systems
- High output
- Quiet and draft-free heating
- Maintenance free
- Fully compatible with Whisper 200 heaters

Convector P200



Dimensions in mm

Technical Data

Heat output	2436 Btu/hr (0.71 kW) Q_{60}^*	4060 Btu/hr (1.2 kW) Q_{100}^*
Piping	Copper or aluminum $\varnothing 0.8''$ (22 mm)	
Weight	Copper 27 lbs/ft (3.71 kg/m) , aluminium 24 lbs/ft (3.34 kg/m)	
Maximum lengths	197'' (5 m)	
Color	Silver anodized aluminium	
	Please contact your MCC representative for more details	

* The Q_x value stands for the power in kW emitted from a unit length (1 m) of the convector at a temperature difference between coolant inlet and room air equal to the subscript (x) .

Power Convector **PC500**

Even temperature distribution, small footprint, numerous layout options and easy to install

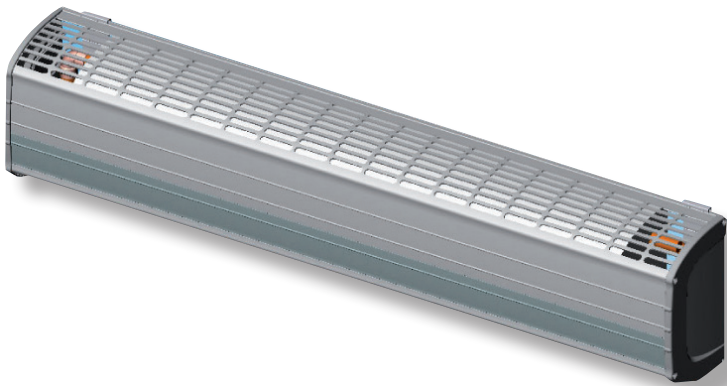
PC500 (Power Convector) is a patented “crossover” product featuring the benefits of a normal convector and that of a fan assisted heating unit.

The PC500 has three operating modes:

Normal convector mode, (Free-Flow) warm air rises naturally (convection) from the unit.

Fan half-speed mode, (Forced-Air) draws the air from the top of the unit through the fins and out to the floor. Once on the floor the warm air mixes and rises to the top.

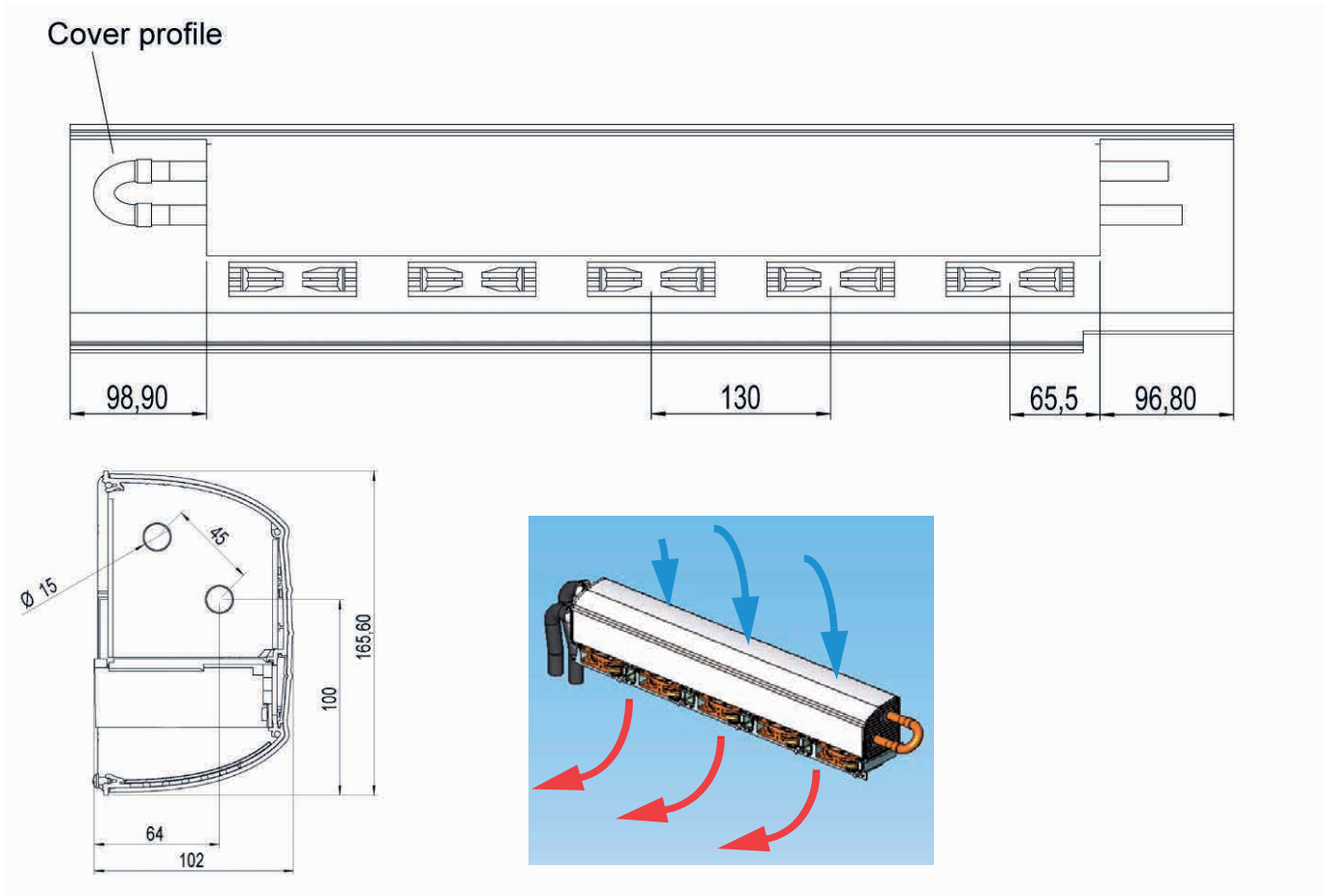
Fan full-speed mode, (Forced-Air) gives instant heating results by taking maximum heat from the PC500 and distributing this air all over the floor.



Features

- Ideal for buses, coaches and other vehicles
- Designed to work in any climate region
- Can be ordered with one fan (10"/250 mm unit) up to 15 fans (236"/6 m unit)
- Available both 12V and 24V versions
- Covers can be easily removed for maintenance
- Max number of PC-500 in series 3 units connection
- Multiple fans can be mounted according to customer's heating specifications

Power Convector **PC500**



Note: Dimensions in mm only.

Technical Data

	Fan Mode – One meter section, 5 fans	Radiant Mode – One meter section
Heat output	10236 Btu/hr (3kW) Q_{60} ^[1] 16378 Btu/hr (4.8 kW) Q_{100} ^[1]	1587 Btu/hr (0.46 kW) Q_{60} ^[1] 2423 Btu/hr (0.71 kW) Q_{100} ^[1]
Piping ^[2]	Ø 0.59" (15 mm)	Ø 0.59" (15 mm)
Weight Copper	9.5 lbs (4.3 kg)	8 lbs (3.7 kg)
Weight Aluminium	8.5 lbs (3.9 kg)	7 lbs (3.3 kg)
Maximum length	197" (5 m)	197" (5 m)
Color	Silver anodized aluminium	Silver anodized aluminium
	Please contact your MCC representative for more details	

[1] The Qx value stands for the power in kW emitted from a unit length (1m) of the convector at a temperature difference between coolant inlet and room air equal to the subscript (x).

[2] Custom piping may be available