



## Compressor Valeo **TM-31**

# Provides the largest cubic displacement in its class

At 19.1 in<sup>3</sup> (313 cm<sup>3</sup>) displacement, the TM-31 compressor has the largest displacement in the light transit segment today.

Its capacity at idle is virtually unmatched in the marketplace and has a proven track record of superior durability.

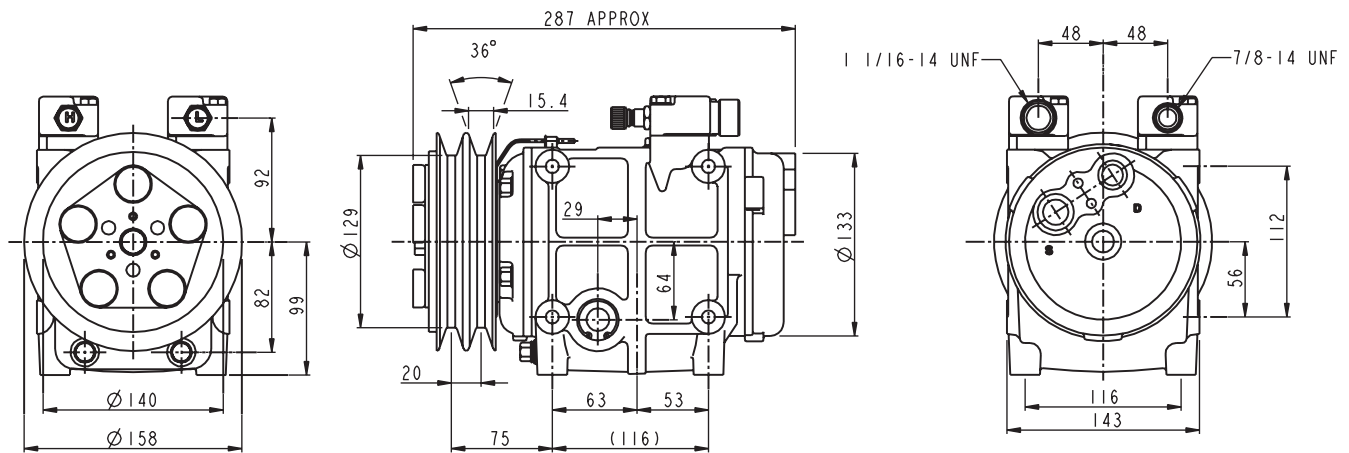


### Features

- Ten cylinder axial configuration
- The positive pressure gear driven lubrication system provides superior lubrication to cylinder walls, pistons, bearings, and shaft seals
- Lip shaft seal assures excellent sealing integrity and extends compressor life
- Standard oil sight glass provides ease of maintenance
- Coated steel swash plate provides additional protection during liquid slugging, and high load conditions
- Pulleys available are Type A, Type B or Poly-V
- Needle bearings insure high durability for long life and high-speed operation

# Compressor Valeo **TM-31**

MCC Compressors



## Technical Data

Rotation	CW
Max speed	700 – 5000 rpm
Clutch coil	12 or 24 VDC
Displacement	132.2 in <sup>3</sup> (313 cm <sup>3</sup> )
Number of pistons	10
Refrigerant	R134a
Pulleys	2A/1B/2B/6PK/8PK
Mounting	Direct
Unloading steps	N/A
Oil charge	ZXL 16.9 fl.oz (500 cm <sup>3</sup> )
Weight (with clutch)	34 lbs (15.5 kg)

