



Mobile Climate Control

T-286PL Manual



SERVICE PARTS for

68RM40-108/128 MICROMAX

Rear Mount Air Conditioning Unit

T-286PL

REV. 06/2012



TABLE OF CONTENTS

PARAGRAPH NUMBER	Page
INTRODUCTION	i
ORDERING INSTRUCTIONS	i
GENERAL NOTES	i
1 UNIT ASSEMBLY - LOCATIONAL VIEW	1
1 UNIT ASSEMBLY - LOCATIONAL VIEW	1
2 AIR FILTERS	2
2.1 Common Parts, Models 68RM40-108-40, 108-41, 128-40, 128-41	2
2.2 Model 68RM40-108-40	2
2.3 Model 68RM40-128-40	2
2.4 Models 68RM40-108-41, 68RM40-128-41	2
2.5 Models 68RM40-108-42, 108-43, 108-44, 128-42, 128-43, 128-44, 128-45	2
3 COMPONENT REAR VIEW - ALL MODELS	3
4 COMPONENT SIDE VIEWS	4
4.1 Component Side Views - Models 68RM40-108-40, 128-41	4
4.2 Component Side Views - Model 68RM40-108-41	6
4.3 Component Side Views - Models 68RM40-108-42, 44, 128-40, 128-42, 128-43, 128-44, 128-45	8
4.4 Component Side Views - Model 68RM40-108-43	10
5 ELECTRICAL CONTROL PANELS	12
5.1 Electrical Control Panel - Models 68RM40-108-40, 41, 128-41	12
5.2 Electrical Control Panel - Model 68RM40-108-42	14
5.3 Electrical Control Panel - Model 68RM40-108-43	16
5.4 Electrical Control Panel - Model 68RM40-108-44	18
5.5 Electrical Control Panel - Model 68RM40-128-40	20
5.6 Electrical Control Panel - Models 68RM40-128-42, 44	22
5.7 Electrical Control Panel - Model 68RM40-128-43, 128-45	24
6 COIL KIT	26
6.1 Common Parts, All Models	26
6.2 Model 68RM40-108-40	27
6.3 Model 68RM40-128-40	27
6.4 Model 68RM40-128-41	27
6.5 Model 68RM40-108-41	27
6.6 Models 68RM40-108-42, 108-43, 128-42, 128-43	27
6.7 Models 68RM40-108-44, 128-44, 128-45	27
7 REFRIGERANT PIPING KIT - R-22 MODELS	28
7.1 Refrigerant Piping Kit - Common Parts - All R-22 Models	28
7.2 Refrigerant Piping Kit - R-22 - Model 68RM40-108-40	30
7.3 Refrigerant Piping Kit - R-22 - Models 68RM40-108-41, 42, 43, 44	31



TABLE OF CONTENTS

PARAGRAPH NUMBER	Page
8 REFRIGERANT PIPING KIT - R-134a MODELS	32
8.1 Refrigerant Piping Kit - Common Parts - All R-134a Models	32
8.1 Refrigerant Piping Kit - Common Parts - All R-134a Models (Continued)	33
8.2 Refrigerant Piping Kit - R-134a - Model 68RM40-128-40	35
8.3 Refrigerant Piping Kit - R-134a - Models 68RM40-128-41, 42, 43, 44, 45	37
9 HEATER COIL AND VALVE ASSEMBLY	39
10 CONDENSER FAN MOTOR ASSEMBLY	40
10.1 Common Parts - All Models	40
10.2 Models 68RM40-108-40, 108-41, 128-41, 128-43, 128-45	40
10.3 Models 68RM40-108-42, 108-44, 128-40, 128-42, 128-44	40
10.4 Model 68RM40-108-43	40
11 EVAPORATOR BLOWER ASSEMBLY	41
11.1 Common Parts - All Models	41
11.2 Models 68RM40-108-40, 108-41, 128-41, 128-43	41
11.3 Models 68RM40-108-42, 128-40, 128-42	42
11.4 Model 68RM40-108-43	42
11.5 Models 68RM40-108-44, 128-44	42
11.6 Models 68RM40-128-45	43
12 COMPRESSOR INSTALLATION COMPONENTS	44
12.1 Compressor Installation Components - R-22 Systems - Common Parts	44
12.1 Compressor Installation Components - R-22 Systems - Common Parts (Continued)	45
12.2 Compressor Installation Components - 68RM40- 108-40, 108-41, 108-43	46
12.3 Compressor Installation Components - 68RM40- 108-40, 108-41, 108-42, 108-43, 108-44	47
12.4 Compressor Installation Components - R-134a Systems - Common Parts	48
12.5 Compressor Installation Components - 68RM40- 128-40, 128-41, 128-43, 128-44, 128-44, 128-45	50
12.6 Compressor Installation Components - 68RM40- 128-42	51
13 DUST COVER (68RM40-128-44 Only)	52
14 MICROMATE CONTROL PANEL	53
PART NUMBER INDEX	Index-1



INTRODUCTION

This parts list identifies service replacement parts for Mobile Climate Control 68RM40-108 and Model 68RM40-128 Bus Air Conditioning and Heating systems found in the Model Chart (below). This parts list contains parts required to modify the standard O5G compressor to these applications.

MODEL CHART

Part (Model) Number	Refrigerant	Controller	Thermostat	Filter Material	Evaporator & Condenser Motors
68RM40-108-40	R-22	Micro-Max	Adjustable	Aluminum	Wound Field
68RM40-108-41	R-22	Micro-Max	Adjustable	Polyester Fabric	Wound Field
68RM40-108-42	R-22	Micro-Max	Adjustable	Natural Hair	Brushless
68RM40-108-43	R-22	Micro-Max	Adjustable	Natural Hair	Permanent Magnet
68RM40-108-44	R-22	Micro-Max	Adjustable	Natural Hair	Brushless
68RM40-128-40	R-134a	Micro-Max	Fixed	Cotton Fabric	Brushless
68RM40-128-41	R-134a	Micro-Max	Adjustable	Polyester Fabric	Wound Field
68RM40-128-42	R-134a	Micro-Max	Adjustable	Natural Hair	Brushless
68RM40-128-43	R-134a	Micro-Max	Adjustable	Natural Hair	Wound Field
68RM40-128-44	R-134a	Micro-Max	Adjustable	Natural Hair	Brushless
68RM40-128-45	R-134a	Micro-Max	Adjustable	Natural Hair	Wound Field

ORDERING INSTRUCTIONS

All orders and inquiries for parts must include: Unit Serial Number, Part no., description of part as shown on list and quantity required. Replacement parts can be obtained by going to the following website:

www.mcc-hvac.com

GENERAL NOTES

To find replacement parts, determine major group in which replacement part is located, consult table of contents for the appropriate page for the illustrated breakdown of the replacement part. The following letter designations are used to classify parts throughout this list.

A/R *As Required*

NSA *Non-Stock Assembly* - order components listed under the assembly.

NSS *Not Sold Separately* - order next higher assembly or kit.

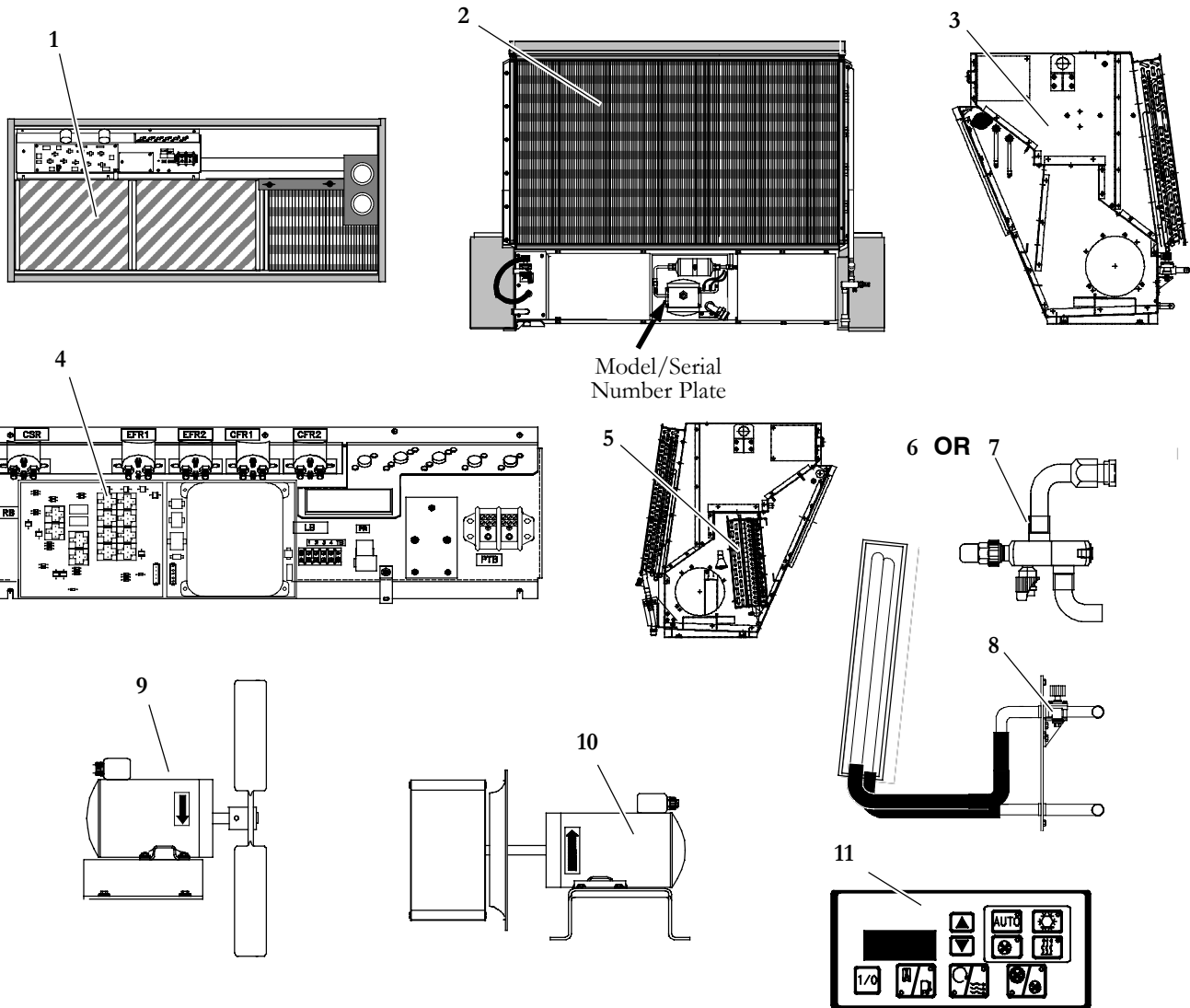
P *Painted*

SST *Stainless Steel* - 300 Series unless otherwise specified.

SV Suffix SV added to part number designates service replacement part.



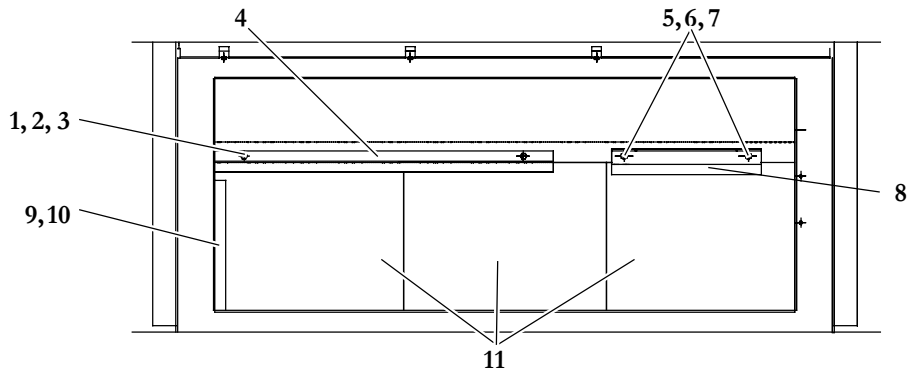
1 UNIT ASSEMBLY - LOCATIONAL VIEW



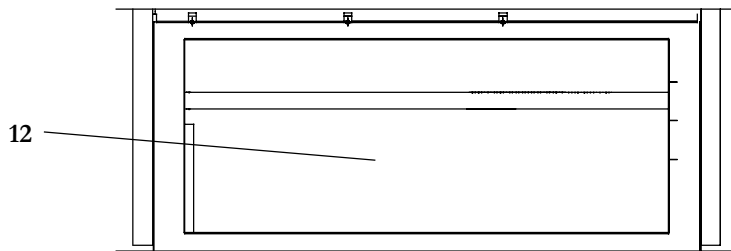
Item	Part Number	Description	Qty
1	-	Inside View - Air Filters (Refer to Section 2)	-
2	-	Outside - Rear View (Refer to Section 3)	-
3	-	Side Views (Refer to Section 4)	-
4	-	Electrical Control Panel (Refer to Section 5)	-
5	-	Coil Kit (Refer to Section 6)	-
6	-	Refrigerant Piping Kit - R-22 (Refer to Section 7)	-
7	-	Refrigerant Piping Kit - R-134a (Refer to Section 8)	-
8	-	Heater Coil and Valve Assembly (Refer to Section 9)	-
9	-	Condenser Fan and Motor (Refer to Section 10)	-
10	-	Evaporator Fan and Motor (Refer to Section 11)	-
NS	-	Compressor Components (Refer to Section 12)	-
11	-	Micromate Control Panel (Refer to Section 14)	-



2 AIR FILTERS



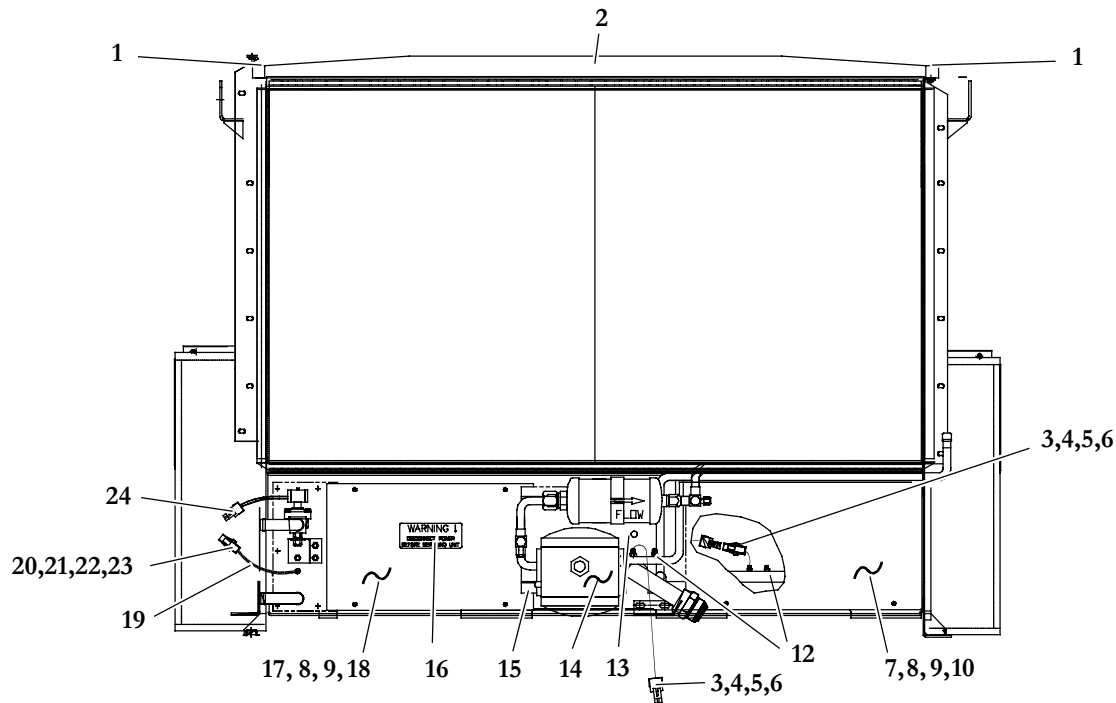
Item	Part Number	Description	Qty
2.1 Common Parts, Models 68RM40-108-40, 108-41, 128-40, 128-41			
1	34-00655-06	Bolt, Cap, Hex Head, 1/4-20 x 3/4 Inch Long, SST	2
2	34-00662-11	Washer, Flat, 1/4 Inch, SST	2
3	34-00663-11	Washer, Split-Lock, 1/4 Inch, SST	2
4	68RM40-1078P	Bracket, Zee, Filter Support, Painted	1
5	58-04113-00	Stud Assembly, Ejecting, Wing Head (Dzus)	2
6	58-04114-00	Retainer, Split, Stud (Dzus)	2
7	58-04115-00	Receptacle, Snap-In, (Dzus)	2
8	68RM50-1016P	Retainer, Filter, .090 Inch Thick Aluminum, Painted	1
2.2 Model 68RM40-108-40			
9	68RM40-283	Channel Assembly, Filter Track	1
11	38-00119-02	Filter, Air, 1.00 Thick x 15.00 x 16.50 Inches (Cleanable)	3
2.3 Model 68RM40-128-40			
9	68RM40-283-1	Channel Assembly, Filter Track, Gauge Kit	1
10	AC801-345	Grommet, Flex, 0.20 x 0.170 x 0.062 x 1.0 Foot Long	1
11	38-00518-00	Filter, Air, 0.88 Thick x 15.00 x 16.50 Inches (Disposable)	3
2.4 Models 68RM40-108-41, 68RM40-128-41			
9	68RM40-283	Channel Assembly, Filter Track	1
11	AC801-460	Filter, Air, 0.88 Thick x 15.00 x 16.50 Inches, Flame Retardant (Disposable)	3



2.5 Models 68RM40-108-42, 108-43, 108-44, 128-42, 128-43, 128-44, 128-45			
12	38-00547-04	Filter, Air, 1.00 Thick x 18.00 x 48.00 Inches (Washable)	1



3 COMPONENT REAR VIEW - ALL MODELS

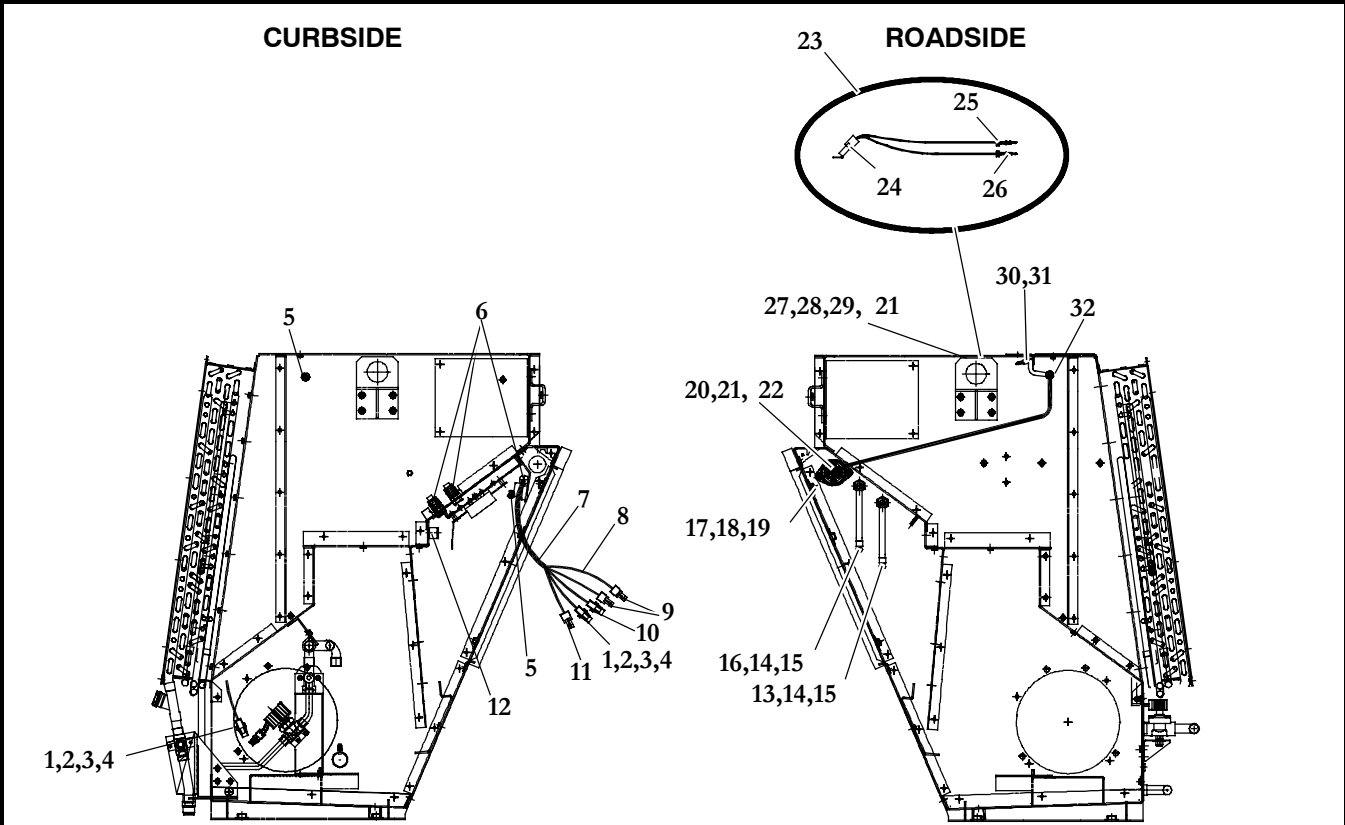


Item	Part Number	Description	Qty
1	42-00221-05	Gasket, Condenser Inlet, Side	2
2	42-00229-00	Gasket, Condenser Inlet, Front and Back	2
3	12-00352-00	Transducer, Pressure, Suction/Discharge	2
4	22-02448-00SV	Connector Package, Female - Includes:	2
5	NSS	Connector, Female, Black, 3 Pin	1
6	22-50078-76B	Terminal, Female (16-18 AWG)	3
7	68RM40-1108P	Panel, Access, Curb Side, Painted	1
8	66U1-6811-5	Screw, Retaining, Access Panel	8
9	66U1-6821	Washer, Retaining	8
10	68RM40-1258	Insulation, Access Panel, Curb Side	1
11	AC901-538	Label, Carrier, Black	1
12	40-00086-04	Cap, Nut, Female Flare, 1/4 Inch	2
13	AC801-319	Grommet, 3/8 Inch ID, 17/32 Inch Hole, 1/8 Inch Groove	1
14	AC901-526	Label, Refrigerant, R-22	1
	AC901-535	Label, Refrigerant, R-134a	
15	62-62020-00	Label, Phone Numbers, Service & Parts	2
16	62-62001-00	Label, Warning, Power Disconnect	1
17	68RM40-1098P	Panel, Access, Road Side, Painted	1
18	68RM40-1268	Insulation, Access Panel, Road Side	1
19	58-00858-33	Tubing, Split, Corrugated, 1/4 Inch ID x 68 Inches Long	1
20	22-02392-00SV	Connector Kit, 2 Pin - Includes:	4
21	NSS	Connector, 2 Pin, Black	1
22	22-02393-01	Terminal, Male (18-20 AWG)	2
23	22-02394-01	Seal, Cable	2
24	-	See Item 10 Section 9 - Coolant Valve Solenoid Coil	-



4 COMPONENT SIDE VIEWS

4.1 Component Side Views - Models 68RM40-108-40, 128-41



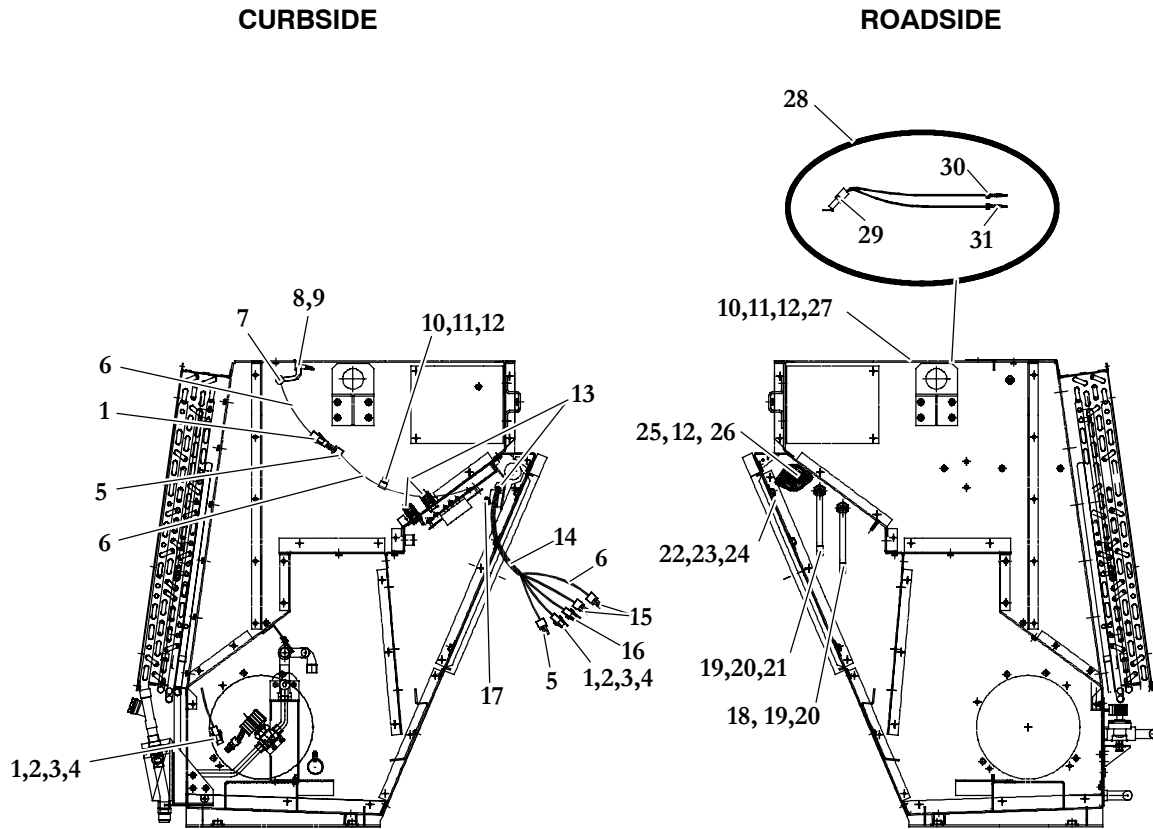
Item	Part Number	Description	Qty
1	22-02392-00SV	Connector Kit, 2 Pin - Includes:	3
2	NSS	Connector, 2 Pin, Black	1
3	22-02393-01	Terminal, Male (18-20 AWG)	2
4	22-02394-01	Seal, Cable	2
5	AC801-314	Bushing, Dome-Plug, 1/2 Inch, Black	2
6	22-02302-02	Connector, Straight, 1/2 Inch (For Spiral Conduit)	3
7	58-00848-33	Tubing, Split, Corrugated, 1/2 Inch ID x 90 Inches Long	1
8	58-00858-33	Tubing, Split, Corrugated, 1/4 Inch ID x 68 Inches Long	1
9	22-01585-02	Connector, Male, 2 Pin, Medium Gray	2
10	22-02392-01	Connector, 2 Pin, Medium Gray	1
11	22-01585-00SV	Connector Assembly, Male, 2 Pin, Black	2
12	34-00373-11	Clamp, Tube, 7/8 Inch OD, SST	2
13	68RM55-209-1	Cable Assembly, Battery, Black	1
14	34-01268-01	Washer, Sealing, 1/2 Inch NPT, Black	2
15	22-01173-13	Connector, Straight, Liquid Tight, LTF 16	2
16	68RM55-210-1	Cable Assembly, Battery, Red	1
17	22-01565-00	Connector, Male, 22 Pin	1
18	22-01565-01	Plug, Cavity	13
19	22-50078-09A	Lock, Secondary (Use With P/N 22-01565-00)	2
20	34-00662-11	Washer, Plain, 1/4 Inch, SST	7



4.1 Component Side Views - Models 68RM40-108-40, 128-41 (Continued)			
Item	Part Number	Description	Qty
21	34-00663-11	Washer, Split Lock, 1/4 Inch, SST	11
22	34-00666-11	Nut, Hex, 1/4-20 Inch, SST	2
23	68RM35-267	Thermistor Assembly - Includes:	1
24	12-00305-04	Thermistor, Ambient With Ring Terminal	1
25	22-02394-00	Seal, Cable	2
26	22-02393-01	Terminal, Male (18-20 AWG)	2
27	34-00373-53	Clamp, Tube, 3/8 Inch OD, SST	1
28	34-00655-06	Bolt, Hex Head, 1/4-20 X 3/4 Inch Long, SST	9
29	68-62137-00	Bracket Assembly, Sensor, Air Temperature, Painted	1
30	66U1-3882	Wire Tie, Self Locking, 7 Inches	30
31	AC701-408	Rivet, 3/16 Inch, Aluminum	2
32	AC801-319	Grommet, 3/8 ID, 17/32 Hole, 1/8 Groove	3



4.2 Component Side Views - Model 68RM40-108-41



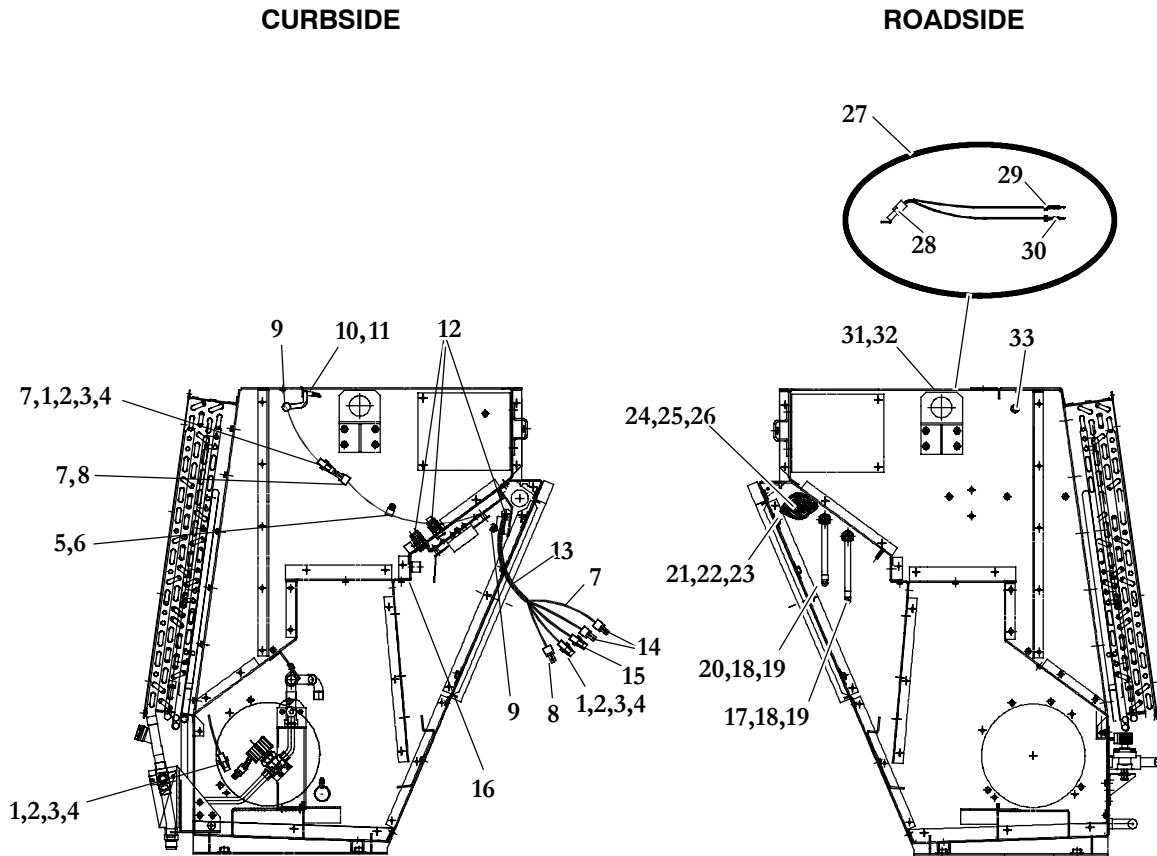
Item	Part Number	Description	Qty
1	22-02392-00SV	Connector Kit, 2 Pin - Includes:	4
2	NSS	Connector, 2 Pin, Black	1
3	22-02393-01	Terminal, Male (18-20 AWG)	2
4	22-02394-01	Seal, Cable	2
5	22-01585-00SV	Connector Assembly, Male, 2 Pin, Black	3
6	58-00858-33	Tubing, Split, Corrugated, 1/4 Inch ID x 68 Inches Long	1
7	AC801-319	Grommet, 3/8 ID, 17/32 Hole, 1/8 Groove	4
8	AC701-408	Rivet, 3/16 Inch, Aluminum	2
9	66U1-3882	Wire Tie, Self Locking, 7 Inches	30
10	34-00373-53	Clamp, Tube, 3/8 Inch OD, SST	2
11	34-00655-06	Bolt, Hex Head, 1/4-20 X 3/4 Inch Long, SST	10
12	34-00663-11	Washer, Split Lock, 1/4 Inch, SST	12
13	22-02302-02	Connector, Straight, 1/2 Inch (For Spiral Conduit)	3
14	58-00848-33	Tubing, Split, Corrugated, 1/2 Inch ID x 90 Inches Long	1
15	22-01585-02	Connector, Male, 2 Pin, Medium Gray	2
16	22-02392-01	Connector, 2 Pin, Medium Gray	1
17	34-00373-11	Clamp, Tube, 7/8 Inch OD, SST	2
18	68RM55-209-1	Cable Assembly, Battery, Black	1



4.2 Component Side Views - Model 68RM40-108-41 (Continued)			
Item	Part Number	Description	Qty
19	34-01268-01	Washer, Sealing, 1/2 Inch NPT, Black	2
20	22-01173-13	Connector, Straight, Liquid Tight, LTF 16	2
21	68RM55-210-1	Cable Assembly, Battery, Red	1
22	22-01565-00	Connector, Male, 22 Pin	1
23	22-01565-01	Plug, Cavity	13
24	22-50078-09A	Lock, Secondary (Use With P/N 22-01565-00)	2
25	34-00666-11	Nut, Hex, 1/4-20 Inch, SST	2
26	34-00662-11	Washer, Plain, 1/4 Inch, SST	7
27	68-62137-00	Bracket Assembly, Sensor, Air Temperature, Painted	1
28	68RM35-267	Thermistor Assembly - Includes:	1
29	12-00305-04	Thermistor, Ambient With Ring Terminal	1
30	22-02394-00	Seal, Cable	2
31	22-02393-01	Terminal, Male (18-20 AWG)	2



4.3 Component Side Views - Models 68RM40-108-42, 44, 128-40, 128-42, 128-43, 128-44, 128-45



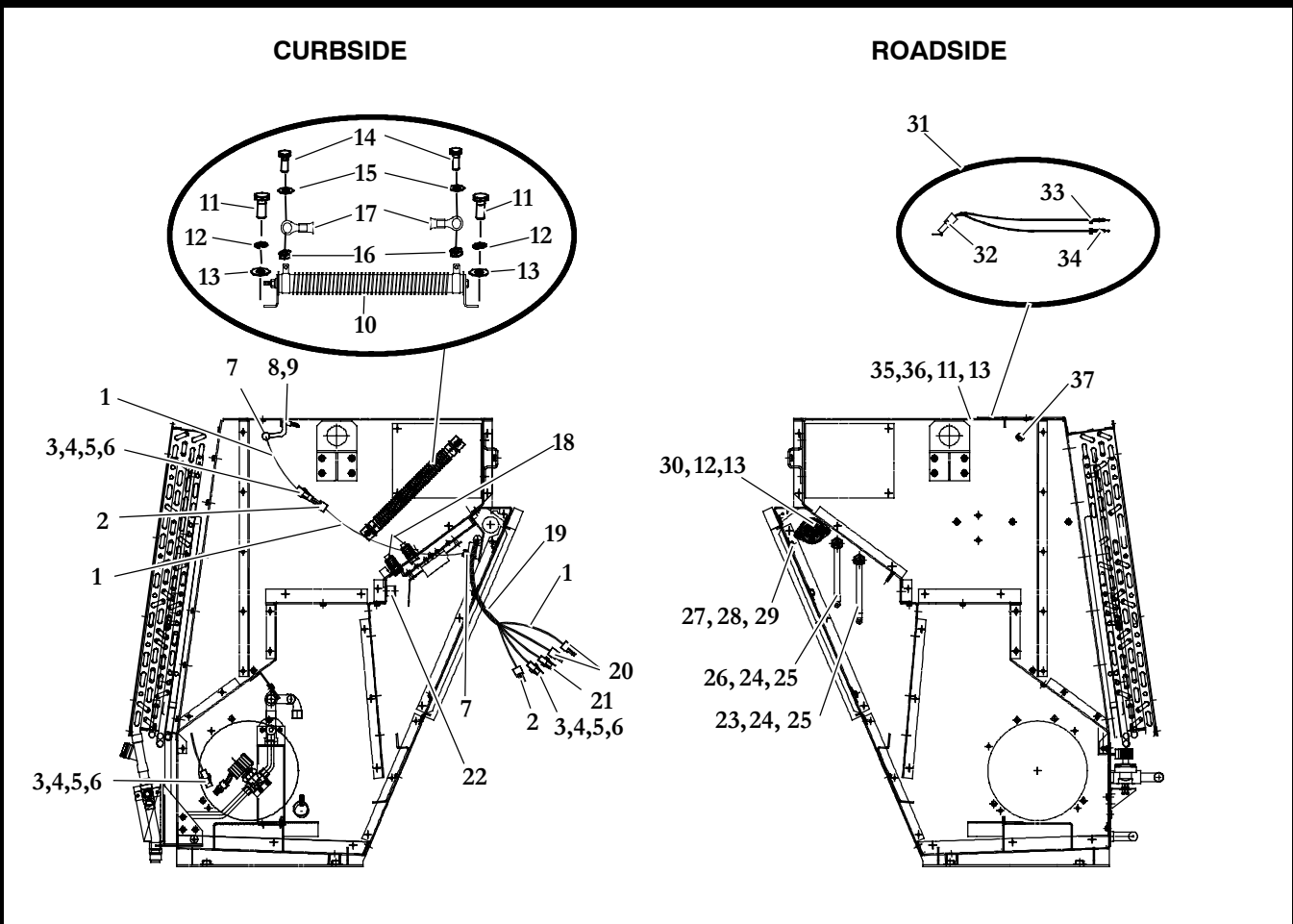
Item	Part Number	Description	Qty
1	22-02392-00SV	Connector Kit, 2 Pin - Includes:	4
2	NSS	Connector, 2 Pin, Black	1
3	22-02393-01	Terminal, Male (18-20 AWG)	2
4	22-02394-01	Seal, Cable	2
5	34-62011-00	Screw, Hex Head, Sems W/Lock Washer, 1/4-20 X 1 Inch Long, SST	9
6	34-00373-53	Clamp, Tube, 3/8 Inch OD, SST	2
7	58-00858-33	Tubing, Split, Corrugated, 1/4 Inch ID x 68 Inches Long	1
8	22-01585-00SV	Connector Assembly, Male, 2 Pin, Black	3
9	AC801-319	Grommet, 3/8 ID, 17/32 Hole, 1/8 Groove	4
10	66U1-9122	Rivet, Pop, Closed End, 5/32 Dia., .062-.250 Grip Range	2
11	66U1-3882	Wire Tie, Self Locking, 7 Inches	30
12	22-02302-02	Connector, Straight, 1/2 Inch (For Spiral Conduit)	4
13	58-00848-33	Tubing, Split, Corrugated, 1/2 Inch ID x 90 Inches Long	1
14	22-01585-02	Connector, Male, 2 Pin, Medium Gray	2
15	22-02392-01	Connector, 2 Pin, Medium Gray	1
16	34-00373-11	Clamp, Tube, 7/8 Inch OD, SST	2
17	68RM55-209-1	Cable Assembly, Battery, Black	1
18	34-01268-01	Washer, Sealing, 1/2 Inch NPT, Black	2



4.3 Component Side Views - Models 68RM40-108-42, 44, 128-40, 128-42, 128-43, 128-44, 128-45 (Continued)			
Item	Part Number	Description	Qty
19	22-01173-13	Connector, Straight, Liquid Tight, LTF 16	2
20	68RM55-210-1	Cable Assembly, Battery, Red	1
21	22-01565-00	Connector, Male, 22 Pin	1
22	22-01565-01	Plug, Cavity	12
23	22-50078-09A	Lock, Secondary (Use With P/N 22-01565-00)	2
24	34-00662-11	Washer, Plain, 1/4 Inch, SST	7
25	34-00663-11	Washer, Split Lock, 1/4 Inch, SST	12
26	34-00666-11	Nut, Hex, 1/4-20 Inch, SST	2
27	68RM35-267	Thermistor Assembly - Includes:	1
28	12-00305-04	Thermistor, Ambient With Ring Terminal	1
29	22-02394-00	Seal, Cable	2
30	22-02393-01	Terminal, Male (18-20 AWG)	2
31	34-00655-06	Bolt, Hex Head, 1/4-20 X 3/4 Inch Long, SST	10
32	68-62137-00	Bracket Assembly, Sensor, Air Temperature, Painted	1
33	AC801-314	Bushing, Dome-Plug, 1/2 Inch, Black (All But 68RM40-128-40)	1



4.4 Component Side Views - Model 68RM40-108-43



Item	Part Number	Description	Qty
1	58-00858-33	Tubing, Split, Corrugated, 1/4 Inch ID x 68 Inches Long	1
2	22-01585-00SV	Connector Assembly, Male, 2 Pin, Black	3
3	22-02392-00SV	Connector Kit, 2 Pin - Includes:	4
4	NSS	Connector, 2 Pin, Black	1
5	22-02393-01	Terminal, Male (18-20 AWG)	2
6	22-02394-01	Seal, Cable	2
7	AC801-319	Grommet, 3/8 ID, 17/32 Hole, 1/8 Groove	4
8	66U1-9122	Rivet, Pop, Closed End, 5/32 Dia., .062-.250 Grip Range	2
9	66U1-3882	Wire Tie, Self Locking, 7 Inches	30
10	22-01584-00	Resistor, 420 Watts, With Mounting Brackets	1
11	34-00655-06	Bolt, Hex Head, 1/4-20 X 3/4 Inch Long, SST	11
12	34-00663-11	Washer, Split Lock, 1/4 Inch, SST	13
13	34-00662-11	Washer, Plain, 1/4 Inch, SST	9
14	66U1-5371-6	Bolt, Hex Head, Slotted, #10-24 X 3/4 Inch Long, SST	2
15	34-00662-09	Washer, Plain, #10, .032 Thick, SST	4
16	34-00667-09	Nut, Hex, Self-Locking, #10-24, SST	2
17	AC201-202	Terminal, Ring, #10	2
18	22-02302-02	Connector, Straight, 1/2 Inch (For Spiral Conduit)	2

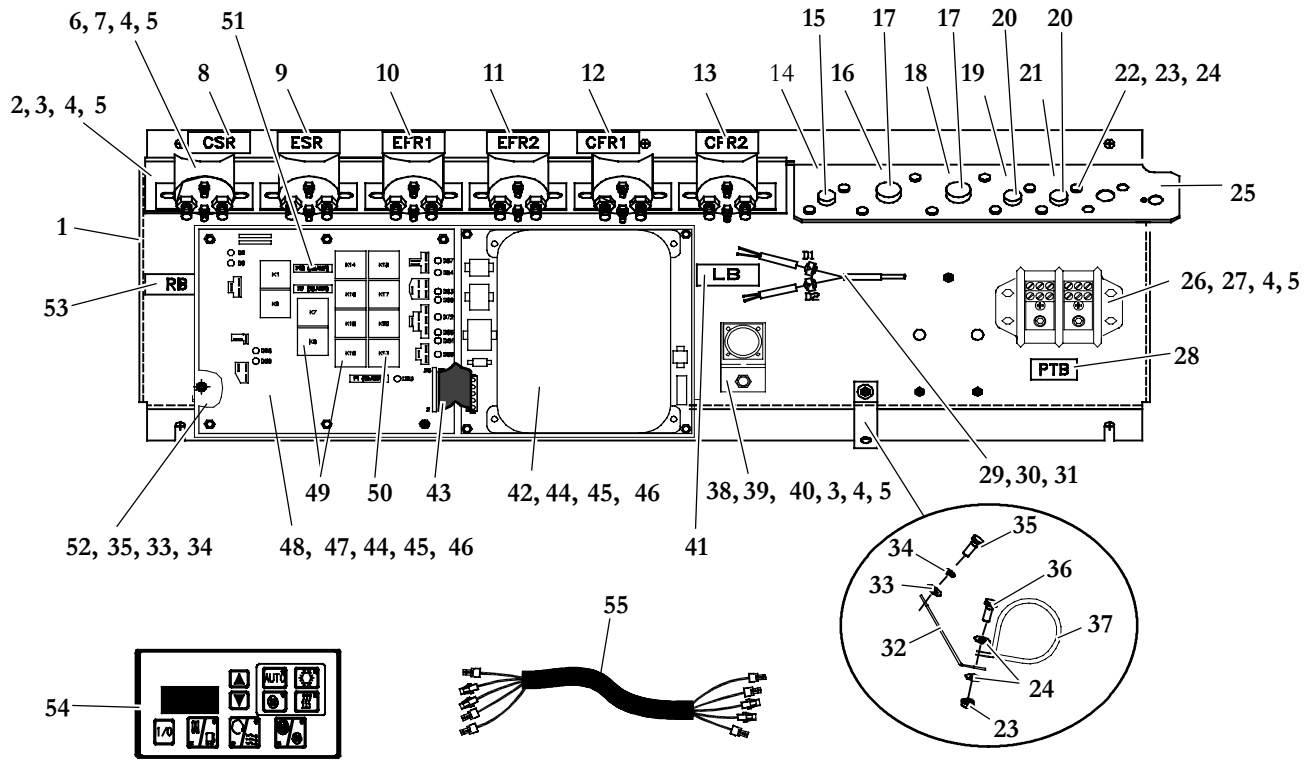


4.4 Component Side Views - Model 68RM40-108-43 (Continued)			
Item	Part Number	Description	Qty
19	58-00848-33	Tubing, Split, Corrugated, 1/2 Inch ID x 90 Inches Long	1
20	22-01585-02	Connector, Male, 2 Pin, Medium Gray	2
21	22-02392-01	Connector, 2 Pin, Medium Gray	1
22	34-00373-11	Clamp, Tube, 7/8 Inch OD, SST	2
23	68RM55-209-1	Cable Assembly, Battery, Black	1
24	68RM55-210-1	Cable Assembly, Battery, Red	1
25	34-01268-01	Washer, Sealing, 1/2 Inch NPT, Black	2
26	22-01173-13	Connector, Straight, Liquid Tight, LTF 16	2
27	22-01565-00	Connector, Male, 22 Pin	1
28	22-01565-01	Plug, Cavity	13
29	22-50078-09A	Lock, Secondary (Use With P/N 22-01565-00)	2
30	34-00666-11	Nut, Hex, 1/4-20 Inch, SST	2
31	68RM35-267	Thermistor Assembly - Includes:	1
32	12-00305-04	Thermistor, Ambient With Ring Terminal	1
33	22-02394-00	Seal, Cable	2
34	22-02393-01	Terminal, Male (18-20 AWG)	2
35	34-00373-53	Clamp, Tube, 3/8 Inch OD, SST	1
36	68-62137-00	Bracket Assembly, Sensor, Air Temperature, Painted	1
37	AC801-314	Bushing, Dome-Plug, 1/2 Inch, Black	1



5 ELECTRICAL CONTROL PANELS

5.1 Electrical Control Panel - Models 68RM40-108-40, 41, 128-41



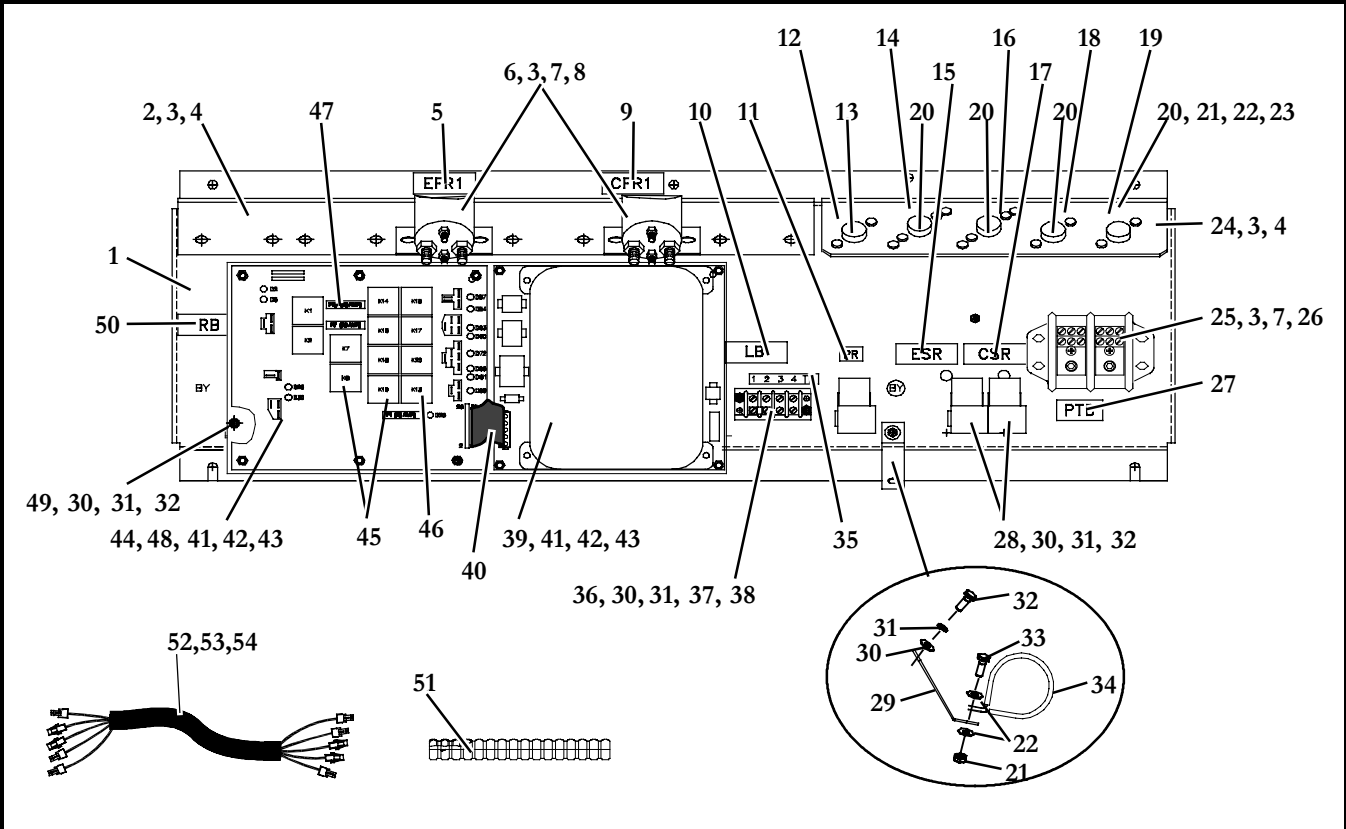
Item	Part Number	Description	Qty
1	68-62781-00	Panel Assembly, Electrical, Painted	1
2	68RM40-388P	Bracket Assembly, Contactor, Painted	1
3	34-00655-06	Bolt, Hex Head, 1/4-20 X 3/4 Inch Long, SST	6
4	34-00663-11	Washer, Split Lock, 1/4 Inch, SST	20
5	34-00662-11	Washer, Plain, 1/4 Inch, SST	20
6	10-00300-02	Contactor, 28VDC, SPNO	6
7	34-00655-04	Bolt, Hex Head, 1/4-20 X 1/2 Inch Long, SST	12
8	AC901-589-14	Label, CSR	1
9	AC901-589-17	Label, ESR	1
10	AC901-589-12	Label, EFR1	1
11	AC901-589-11	Label, EFR2	1
12	AC901-589-16	Label, CFR1	1
13	AC901-589-15	Label, CFR2	1
14	AC901-589-1	Label, CB1 15 Amp (68RM40-108-40, 128-41)	1
	AC901-589-25	Label, Boost Pump (68RM40-108-41)	1
15	10-00247-03	Breaker, Circuit - 15 Amp	1
16	AC901-589-33	Label, CB2 60 Amp	1
17	10-00307-01	Breaker, Circuit, 60 Amp	2
18	AC901-589-34	Label, CB3 60 Amp	1
19	AC901-589-31	Label, CB4 40 Amp	1
20	10-00247-05	Breaker, Circuit - 40 Amp	2



5.1 Electrical Control Panel - Models 68RM40-108-40, 41, 128-41 (Continued)			
Item	Part Number	Description	Qty
21	AC901-589-32	Label, CB5 40 Amp	1
22	66U1-5371-10	Bolt, Hex Head, Slotted, #10-24 X 1 Inch Long, SST	10
23	34-00667-09	Nut, Hex, Self-Locking, #10-24, SST	11
24	34-00662-09	Washer, Plain, #10, .032 Thick, SST	12
25	68RM40-1359P	Bracket, Circuit Breaker, Painted	1
26	22-01594-00	Terminal Block, Power	1
27	34-00655-08	Bolt, Hex Head, 1/4-20 X 1 Inch Long, SST	2
28	AC902-503-6	Label, PTB	1
29	AC201-600	Diode, In-line, 6 Amp	2
30	AC201-244	Terminal, Butt Connectors, 14-16 Gauge	3
31	AC201-209	Terminal, Butt Connectors, 14 Gauge, Blue	1
32	68RM55-1136P	Bracket, Temperature Sensor, Painted	1
33	34-00662-08	Washer, Plain, #8, SST	7
34	34-00663-08	Washer, Split Lock, #8, SST	7
35	66U1-5371	Bolt, Hex Head, Slotted, #8-32 X 1/2 Inch Long, SST	7
36	66U1-5371-7	Bolt, Hex Head, Slotted, #10-24 X 1/2 Inch Long, SST	1
37	34-00373-03	Clamp, Tube, .38 OD, With Neoprene Cushion, SST	1
38	68RM40-1356P	Bracket, Deutsch Connector, Painted	1
39	34-50048-00	Screw, Pan Head, Phillips, #6-32 X 1/2 Inch Long, SST	4
40	34-00667-07	Nut, Hex, Self-Locking, #6-32, SST	4
41	AC901-589-35	Label, LB (Logic Module)	1
42	12-00392-11	Module, Controller Logic 24VDC - Includes:	1
43	22-50236-00	Harness, Ribbon Cable, 26 Pin (Logic Module To Relay Board)	1
44	34-00360-09	Nut, Hex, Self-Locking, #10-32, Zinc Plated	10
45	34-62000-00	Spacer, Nylon	10
46	58-00511-08	Washer, Nylon	10
47	42-62005-00	Gasket, Relay Board	1
48	12-00371-01	Board, Relay - Includes:	1
49	10-00286-11	Relay, 24VDC, 40 Amp, SPDT	11
50	10-00286-12	Relay, 24VDC, 40 Amp, SPDT (K13 Only)	1
51	22-02336-06	Fuse, 15 Amp	3
52	68RM40-157	Panel Assembly, Mounting, Logic Module & Relay Board, Painted	1
53	AC901-589-13	Label, RB	1
54	12-00391-03	Module, Drivers Display (Micromate Control Panel) (68RM40-108-40, 128-41 only)	1
55	68RM40-1718-1	Harness, Micromax Control (68RM40-108-40, 128-41) (See NOTE)	1
	22-62067-00	Harness, WF/WF Control (68RM40-108-41) (See NOTE)	1
NOTE			
Harness necessary to wire entire unit.			



5.2 Electrical Control Panel - Model 68RM40-108-42



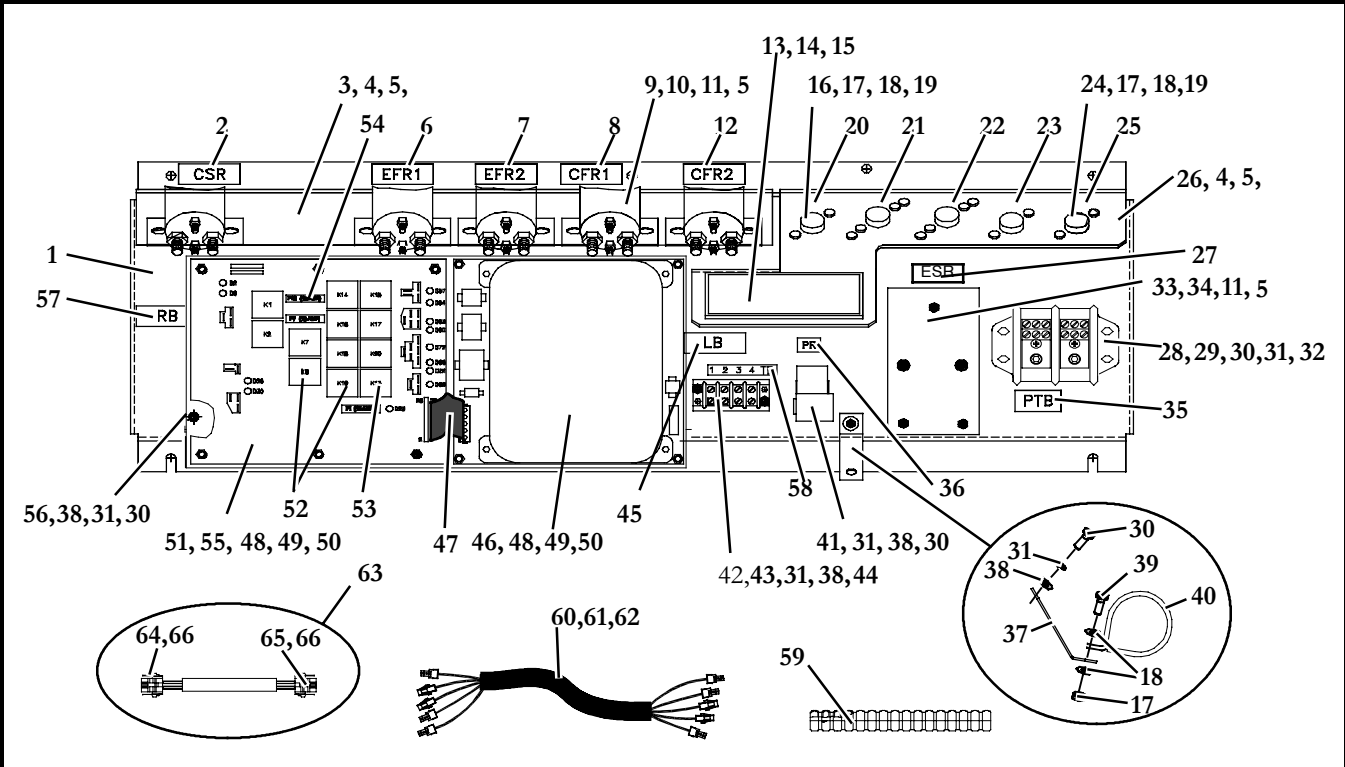
Item	Part Number	Description	Qty
1	68-62781-00	Panel Assembly, Electrical, Painted	1
2	68RM40-388P	Bracket Assembly, Contactor, Painted	1
3	34-00662-11	Washer, Plain, 1/4 Inch, SST	11
4	34-50040-00	Bolt, Hex Head W/Split Lockwasher, 1/4-20 X 5/8 Inch Long, SST	5
5	AC901-589-12	Label, EFR1	1
6	10-00300-02	Contactor, 28VDC, SPNO	2
7	34-00663-11	Washer, Split Lock, 1/4 Inch, SST	6
8	34-00655-04	Bolt, Hex Head, 1/4-20 X 1/2 Inch Long, SST	4
9	AC901-589-16	Label, CFR1	1
10	AC901-589-35	Label, LB (Logic Module)	1
11	68RM55-1160	Label, PR	1
12	AC901-589-25	Label, Boost Pump	1
13	10-00247-03	Breaker, Circuit - 15 Amp	1
14	AC901-589-29	Label, CB2 40 Amp	1
15	AC901-589-17	Label, ESR	1
16	AC901-589-30	Label, CB3 40 Amp	1
17	AC901-589-14	Label, CSR	1
18	AC901-589-31	Label, CB4 40 Amp	1
19	AC901-589-32	Label, CB5 40 Amp	1
20	10-00247-05	Breaker, Circuit - 40 Amp	4
21	34-00667-09	Nut, Hex, Self-Locking, #10-24, SST	11



5.2 Electrical Control Panel - Model 68RM40-108-42 (Continued)			
Item	Part Number	Description	Qty
22	34-00662-09	Washer, Plain, #10, .032 Thick, SST	12
23	66U1-5371-10	Bolt, Hex Head, Slotted, #10-24 X 1 Inch Long, SST	10
24	68RM40-408P	Bracket, Circuit Breaker, Painted	1
25	22-01594-00	Terminal Block, Power	1
26	34-00655-08	Bolt, Hex Head, 1/4-20 X 1 Inch Long, SST	2
27	AC902-503-6	Label, PTB	1
28	10-00286-09	Relay, 24VDC, 40 Amp, SPDT	3
29	68RM55-1136P	Bracket, Temperature Sensor, Painted	1
30	34-00662-08	Washer, Plain, #8, SST	12
31	34-00663-08	Washer, Split Lock, #8, SST	12
32	66U1-5371	Bolt, Hex Head, Slotted, #8-32 X 1/2 Inch Long, SST	10
33	66U1-5371-7	Bolt, Hex Head, Slotted, #10-24 X 1/2 Inch Long, SST	1
34	34-00373-03	Clamp, Tube, .38 OD, With Neoprene Cushion, SST	1
35	AC902-503-13	Label, TB 1-4	1
36	66U1-5371-5	Bolt, Hex Head, Slotted, #8-32 X 3/4 Inch Long, SST	2
37	22-01563-05	Terminal Block, 2.5 Inches Long, 4 Poles (#6-32 X 1/4 Inch)	1
38	22-01612-00	Jumper, Terminal Block	1
39	12-00392-11	Module, Controller Logic 24VDC - Includes:	1
40	22-50236-00	Harness, Ribbon Cable, 26 Pin (Logic Module To Relay Board)	1
41	34-00360-09	Nut, Hex, Self-Locking, #10-32, Zinc Plated	10
42	34-62000-00	Spacer, Nylon	10
43	58-00511-08	Washer, Nylon	10
44	12-00371-01	Board, Relay - Includes:	1
45	10-00286-11	Relay, 24VDC, 40 Amp, SPDT	11
46	10-00286-12	Relay, 24VDC, 40 Amp, SPDT (K13 Only)	1
47	22-02336-06	Fuse, 15 Amp	3
48	42-62005-00	Gasket, Relay Board	1
49	68RM40-157	Panel Assembly, Mounting, Logic Module & Relay Board, Painted	1
50	AC901-589-13	Label, RB	1
51	58-00850-20	Tubing, Corrugated, Split, 1 Inch OD X 51 Inches Long (Black)	1
52	22-62106-00	Harness, Interface, Rotron (Unit Control Wiring Harness)	1
53	22-62107-00	Harness, Power, Rotron (Motor Power Wiring Harness)	1
54	22-62108-00	Harness, Control, Rotron (Control Panel Wiring Harness)	1



5.3 Electrical Control Panel - Model 68RM40-108-43



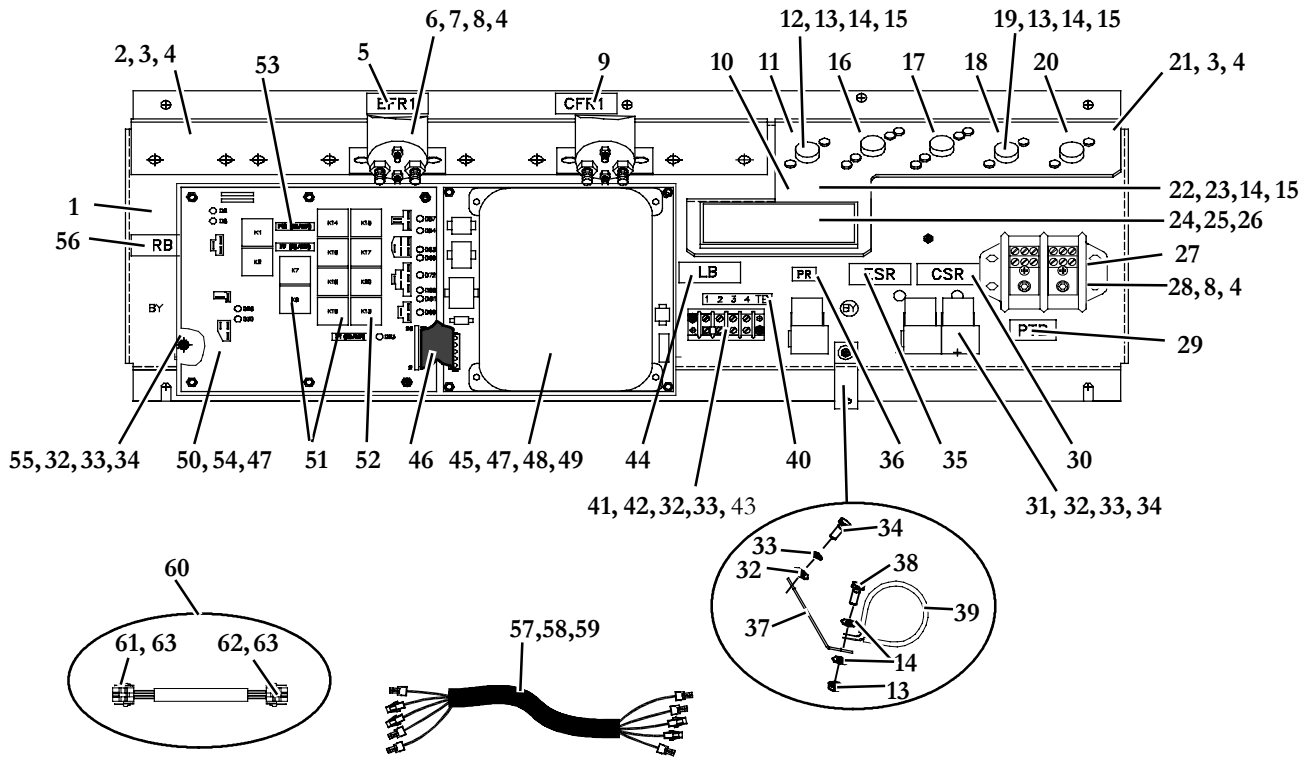
Item	Part Number	Description	Qty
1	68-62781-00	Panel Assembly, Electrical, Painted	1
2	AC901-589-14	Label, CSR	1
3	68RM40-388P	Bracket Assembly, Contactor, Painted	1
4	34-50040-00	Bolt, Hex Head W/Split Lockwasher, 1/4-20 X 5/8 Inch Long, SST	5
5	34-00662-11	Washer, Plain, 1/4 Inch, SST	17
6	AC901-589-12	Label, EFR1	1
7	AC901-589-11	Label, EFR2	1
8	AC901-589-16	Label, CFR1	1
9	10-00300-02	Contactor, 28VDC, SPNO	5
10	34-00655-04	Bolt, Hex Head, 1/4-20 X 1/2 Inch Long, SST	10
11	34-00663-11	Washer, Split Lock, 1/4 Inch, SST	12
12	AC901-589-15	Label, CFR2	1
13	12-00391-03	Module, Drivers Display (Micromate Control Panel)	1
14	68-62125-00	Clamp, Retaining, Temperature Module, Painted	1
15	34-00667-07	Nut, Hex, Self-Locking #6-32, SST	1
16	10-00247-03	Breaker, Circuit - 15 Amp	1
17	34-00667-09	Nut, Hex, Self-Locking, #10-24, SST	11
18	34-00662-09	Washer, Plain, #10, .032 Thick, SST	12
19	66U1-5371-10	Bolt, Hex Head, Slotted, #10-24 X 1 Inch Long, SST	10
20	AC901-589-25	Label, Boost Pump	1
21	AC901-589-29	Label, CB2 40 Amp	1
22	AC901-589-30	Label, CB3 40 Amp	1
23	AC901-589-31	Label, CB4 40 Amp	1



5.3 Electrical Control Panel - Model 68RM40-108-43 (Continued)			
Item	Part Number	Description	Qty
24	10-00247-05	Breaker, Circuit - 40 Amp	4
25	AC901-589-32	Label, CB5 40 Amp	1
26	68-62124-00	Bracket, Circuit Breaker, Painted	1
27	AC901-589-17	Label, ESR	1
28	10-00309-00	Relay, Evaporator Speed, 24VDC	1
29	10-00314-00	Cover, Relay	1
30	66U1-5371	Bolt, Hex Head, Slotted, #8-32 X 1/2 Inch Long, SST	11
31	34-00662-08	Washer, Plain, #8, SST	15
32	AC801-604	Grommet, 5/8 ID X 7/8 Hole, 1/8 Inch Groove	2
33	22-01594-00	Terminal Block, Power	1
34	34-00655-08	Bolt, Hex Head, 1/4-20 X 1 Inch Long, SST	2
35	AC902-503-6	Label, PTB	1
36	68RM55-1160	Label, PR	1
37	68RM55-1136P	Bracket, Temperature Sensor, Painted	1
38	34-00663-08	Washer, Split Lock, #8, SST	10
39	66U1-5371-7	Bolt, Hex Head, Slotted, #10-24 X 1/2 Inch Long, SST	1
40	34-00373-03	Clamp, Tube, .38 OD, With Neoprene Cushion, SST	1
41	10-00286-09	Relay, 24VDC, 40 Amp, SPDT	1
42	22-01563-05	Terminal Block, 2.5 Inches Long, 4 Poles (#6-32 X 1/4 Inch)	1
43	22-01612-00	Jumper, Terminal Block	1
44	66U1-5371-5	Bolt, Hex Head, Slotted, #8-32 X 3/4 Inch Long, SST	4
45	AC901-589-35	Label, LB (Logic Module)	1
46	12-00392-11	Module, Controller Logic 24VDC - Includes:	1
47	22-50236-00	Harness, Ribbon Cable, 26 Pin (Logic Module To Relay Board)	1
48	34-00360-09	Nut, Hex, Self-Locking, #10-32, Zinc Plated	10
49	34-62000-00	Spacer, Nylon	10
50	58-00511-08	Washer, Nylon	10
51	12-00371-01	Board, Relay - Includes:	1
52	10-00286-11	Relay, 24VDC, 40 Amp, SPDT	11
53	10-00286-12	Relay, 24VDC, 40 Amp, SPDT (K13 Only)	1
54	22-02336-06	Fuse, 15 Amp	3
55	42-62005-00	Gasket, Relay Board	1
56	68RM40-157	Panel Assembly, Mounting, Logic Module & Relay Board, Painted	1
57	AC901-589-13	Label, RB	1
58	AC902-503-13	Label, TB 1-4	1
59	58-00850-20	Tubing, Corrugated, Split, 1 Inch OD X 51 Inches Long (Black)	1
60	22-62106-00	Harness, Interface, Rotron (Unit Control Wiring Harness)	1
61	22-62144-00	Harness, Power, (PM) (Motor Power Wiring Harness)	1
62	22-62134-00	Harness, Control, (PM, WF) (Control Panel Wiring Harness)	1
63	22-62063-00	Harness, A/C Control (Micromate Control Wiring Harness) - Includes:	1
64	22-62026-00	Connector, Plug, 6 Position	1
65	22-50145-00	Connector, Plug, 4 Position	1
66	22-50152-00	Terminal, Female Receptacle (16-26 AWG)	10



5.4 Electrical Control Panel - Model 68RM40-108-44



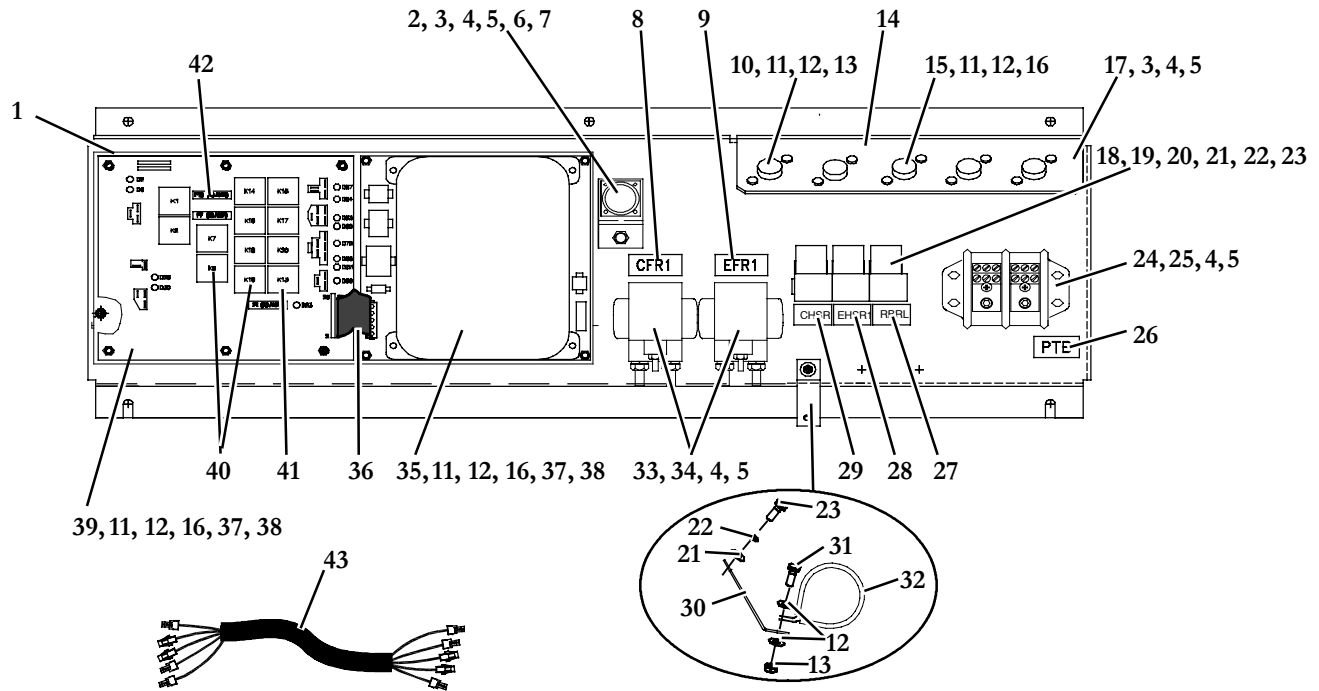
Item	Part Number	Description	Qty
1	68-62781-00	Panel Assembly, Electrical, Painted	1
2	68RM40-388P	Bracket Assembly, Contactor, Painted	1
3	34-50040-00	Bolt, Hex Head W/Split Lockwasher, 1/4-20 X 5/8 Inch Long, SST	5
4	34-00662-11	Washer, Plain, 1/4 Inch, SST	11
5	AC901-589-12	Label, EFR1	1
6	10-00300-02	Contactor, 28VDC, SPNO	2
7	34-00655-04	Bolt, Hex Head, 1/4-20 X 1/2 Inch Long, SST	4
8	34-00663-11	Washer, Split Lock, 1/4 Inch, SST	6
9	AC901-589-16	Label, CFR1	1
10	62-62007-00	Label, Micromate Control Panel	1
11	AC901-589-25	Label, Boost Pump	1
12	10-00247-03	Breaker, Circuit - 15 amp	1
13	34-00667-09	Nut, Hex, Self-Locking, #10-24, SST	11
14	34-00662-09	Washer, Plain, #10, .032 Thick, SST	14
15	66U1-5371-10	Bolt, Hex Head, Slotted, #10-24 X 1 Inch Long, SST	12
16	AC901-589-29	Label, CB2 40 Amp	1
17	AC901-589-30	Label, CB3 40 Amp	1
18	AC901-589-31	Label, CB4 40 Amp	1
19	10-00247-05	Breaker, Circuit - 40 Amp	4
20	AC901-589-32	Label, CB5 40 Amp	1
21	68-62124-00	Bracket, Circuit Breaker, Painted	1



5.4 Electrical Control Panel - Model 68RM40-108-44 (Continued)			
Item	Part Number	Description	Qty
22	68-63021-00	Cover, Drivers Display	1
23	34-00663-09	Washer, Split Lock, #10, SST	2
24	12-00391-03	Module, Drivers Display (Micromate Control Panel)	1
25	68-62125-00	Clamp, Retaining, Temperature Module, Painted	1
26	34-00667-07	Nut, Hex, Self-Locking #6-32, SST	1
27	22-01594-00	Terminal Block, Power	1
28	34-00655-08	Bolt, Hex Head, 1/4-20 X 1 Inch Long, SST	2
29	AC902-503-6	Label, PTB	1
30	AC901-589-14	Label, CSR	1
31	10-00286-09	Relay, 24VDC, 40 Amp, SPDT	3
32	34-00662-08	Washer, Plain, #8, SST	12
33	34-00663-08	Washer, Split Lock, #8, SST	12
34	66U1-5371	Bolt, Hex Head, Slotted, #8-32 X 1/2 Inch Long, SST	10
35	AC901-589-17	Label, ESR	1
36	68RM55-1160	Label, PR	1
37	68RM55-1136P	Bracket, Temperature Sensor, Painted	1
38	66U1-5371-7	Bolt, Hex Head, Slotted, #10-24 X 1/2 Inch Long, SST	1
39	34-00373-03	Clamp, Tube, .38 OD, With Neoprene Cushion, SST	1
40	AC902-503-13	Label, TB 1-4	1
41	22-01563-05	Terminal Block, 2.5 Inches Long, 4 Poles (#6-32 X 1/4 Inch)	1
42	22-01612-00	Jumper, Terminal Block	1
43	66U1-5371-5	Bolt, Hex Head, Slotted, #8-32 X 3/4 Inch Long, SST	2
44	AC901-589-35	Label, LB (Logic Module)	1
45	12-00392-11	Module, Controller Logic 24VDC - Includes:	1
46	22-50236-00	Harness, Ribbon Cable, 26 Pin (Logic Module To Relay Board)	1
47	34-00360-09	Nut, Hex, Self-Locking, #10-32, Zinc Plated	10
48	34-62000-00	Spacer, Nylon	10
49	58-00511-08	Washer, Nylon	10
50	12-00371-01	Board, Relay - Includes:	1
51	10-00286-11	Relay, 24VDC, 40 Amp, SPDT	11
52	10-00286-12	Relay, 24VDC, 40 Amp, SPDT (K13 Only)	1
53	22-02336-06	Fuse, 15 Amp	3
54	42-62005-00	Gasket, Relay Board	1
55	68RM40-157	Panel Assembly, Mounting, Logic Module & Relay Board, Painted	1
56	AC901-589-13	Label, RB	1
57	22-62106-00	Harness, Interface, Rotron (Unit Control Wiring Harness)	1
58	22-62107-00	Harness, Power, Rotron (Motor Power Wiring Harness)	1
59	22-62108-00	Harness, Control, Rotron (Control Panel Wiring Harness)	1
60	22-62063-00	Harness, A/C Control (Micromate Control Wiring Harness) - Includes:	1
61	22-62026-00	Connector, Plug, 6 Position	1
62	22-50145-00	Connector, Plug, 4 Position	1
63	22-50152-00	Terminal, Female Receptacle (16-26 AWG)	10



5.5 Electrical Control Panel - Model 68RM40-128-40



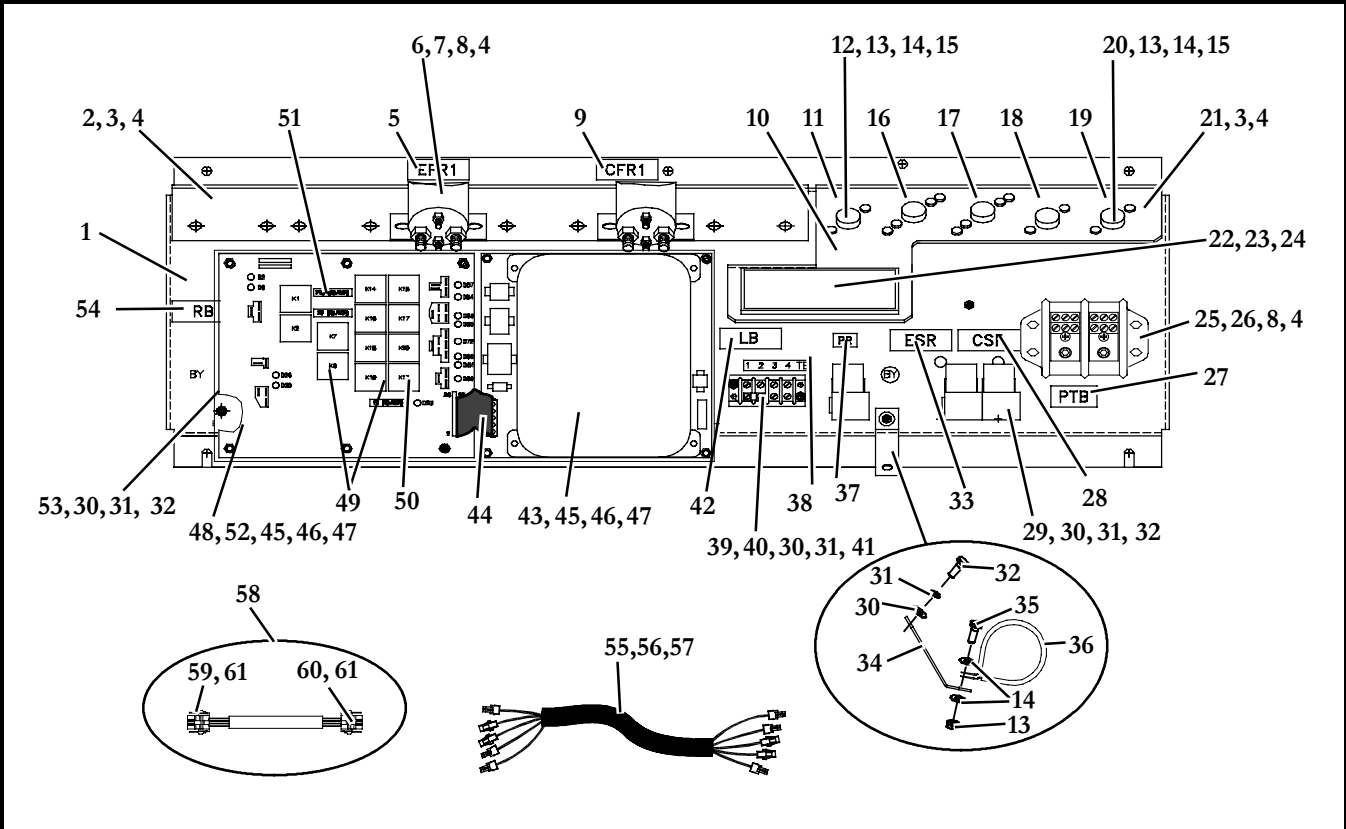
Item	Part Number	Description	Qty
1	68RM40-167P	Panel Assembly, Electrical, Painted	1
2	68RM40-1356P	Bracket, Deutsch Connector, Painted	1
3	34-00655-06	Bolt, Hex Head, 1/4-20 X 3/4 Inch Long, SST	3
4	34-00663-11	Washer, Split Lock, 1/4 Inch, SST	8
5	34-00662-11	Washer, Plain, 1/4 Inch, SST	8
6	34-50048-00	Screw, Pan Head, Phillips, #6-32 X 1/2 Inch Long, SST	4
7	34-00667-07	Nut, Hex, Self-Locking, #6-32, SST	4
8	AC901-589-16	Label, CFR1	1
9	AC901-589-12	Label, EFR1	1
10	10-00247-03	Breaker, Circuit - 15 Amp	1
11	66U1-5371-10	Bolt, Hex Head, Slotted, #10-24 X 1 Inch Long, SST	20
12	34-00662-09	Washer, Plain, #10, .032 Thick, SST	22
13	34-00667-09	Nut, Hex, Self-Locking, #10-24, SST	11
14	68RM40-1688	Label, Circuit Breakers	1
15	10-00247-05	Breaker, Circuit - 40 Amp	4
16	34-00663-09	Washer, Split Lock, #10, SST	10
17	68RM40-1678P	Bracket, Circuit Breaker, Painted	1
18	10-00301-00	Relay, 24VDC, 20 Amp, SPDT	3
19	AC201-931	Lock, Connector	3
20	AC201-901	Connector, Relay Socket	3
21	34-00662-08	Washer, Plain, #8, .032 Thick, SST	4



5.5 Electrical Control Panel - Model 68RM40-128-40 (Continued)			
Item	Part Number	Description	Qty
22	34-00663-08	Washer, Split Lock, #8, SST	4
23	66U1-5371	Bolt, Hex Head, Slotted, #8-32 X 1/2 Inch Long, SST	4
24	22-01594-00	Terminal Block, Power	1
25	34-00655-08	Bolt, Hex Head, 1/4-20 X 1 Inch Long, SST	2
26	AC902-503-6	Label, PTB	1
27	68RM40-1326	Label, FBRL	1
28	62-62000-00	Label, CHSR	1
29	AC902-503-9	Label, EHSR1	1
30	68RM55-1136P	Bracket, Temperature Sensor, Painted	1
31	66U1-5371-7	Bolt, Hex Head, Slotted, #10-24 X 1/2 Inch Long, SST	1
32	34-00373-03	Clamp, Tube, .38 OD, With Neoprene Cushion, SST	1
33	10-00300-00	Contact, 24 VDC, SPNO	2
34	34-00655-04	Bolt, Hex Head, 1/4-20 X 1/2 Inch Long, SST	4
35	12-00392-11	Module, Controller Logic 24VDC - Includes:	1
36	22-50236-00	Harness, Ribbon Cable, 26 Pin (Logic Module To Relay Board)	1
37	34-62000-00	Spacer, Nylon	10
38	58-00511-08	Washer, Nylon	10
39	12-00371-01	Board, Relay - Includes:	1
40	10-00286-11	Relay, 24VDC, 40 Amp, SPDT	11
41	10-00286-12	Relay, 24VDC, 40 Amp, SPDT (K13 Only)	1
42	22-02336-06	Fuse, 15 Amp	3
43	68RM40-1718	Harness, Micromax Control (See NOTE)	1
NOTE			
Harness necessary to wire entire unit.			



5.6 Electrical Control Panel - Models 68RM40-128-42, 44



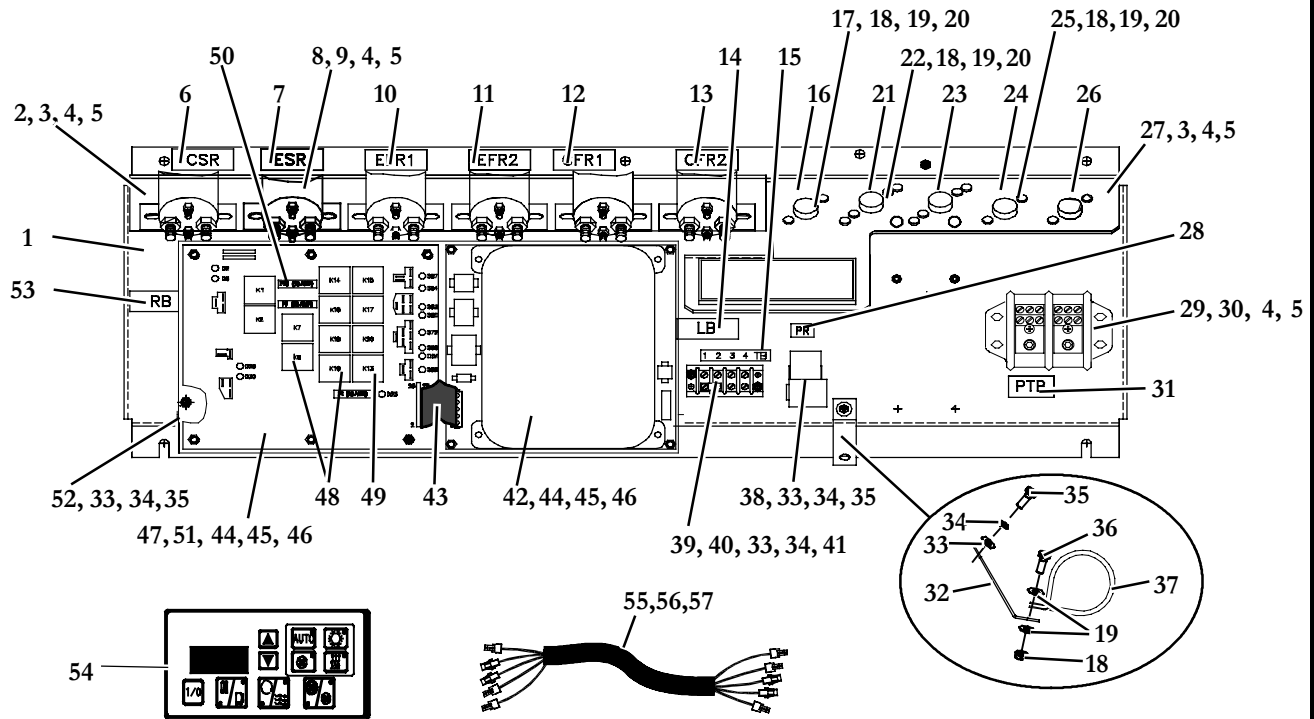
Item	Part Number	Description	Qty
1	68-62781-00	Panel Assembly, Electrical, Painted	1
2	68RM40-388P	Bracket Assembly, Contactor, Painted	1
3	34-50040-00	Bolt, Hex Head W/Split Lockwasher, 1/4-20 X 5/8 Inch Long, SST	5
4	34-00662-11	Washer, Plain, 1/4 Inch, SST	11
5	AC901-589-12	Label, EFR1	1
6	10-00300-02	Contactor, 28VDC, SPNO	2
7	34-00655-04	Bolt, Hex Head, 1/4-20 X 1/2 Inch Long, SST	4
8	34-00663-11	Washer, Split Lock, 1/4 Inch, SST	6
9	AC901-589-16	Label, CFR1	1
10	62-62007-00	Label, Micromate Control Panel	1
11	AC901-589-25	Label, Boost Pump	1
12	10-00247-03	Breaker, Circuit - 15 Amp	1
13	34-00667-09	Nut, Hex, Self-Locking, #10-24, SST	11
14	34-00662-09	Washer, Plain, #10, .032 Thick, SST	12
15	66U1-5371-10	Bolt, Hex Head, Slotted, #10-24 X 1 Inch Long, SST	10
16	AC901-589-29	Label, CB2 40 Amp	1
17	AC901-589-30	Label, CB3 40 Amp	1
18	AC901-589-31	Label, CB4 40 Amp	1
19	AC901-589-32	Label, CB5 40 Amp	1
20	10-00247-05	Breaker, Circuit - 40 Amp	4
21	68-62124-00	Bracket, Circuit Breaker, Painted	1



5.6 Electrical Control Panel - Models 68RM40-128-42, 44 (Continued)			
Item	Part Number	Description	Qty
22	12-00391-03	Module, Drivers Display (Micromate Control Panel)	1
23	68-62125-00	Clamp, Retaining, Temperature Module, Painted	1
24	34-00667-07	Nut, Hex, Self-Locking #6-32, SST	1
25	22-01594-00	Terminal Block, Power	1
26	34-00655-08	Bolt, Hex Head, 1/4-20 X 1 Inch Long, SST	2
27	AC902-503-6	Label, PTB	1
28	AC901-589-14	Label, CSR	1
29	10-00286-09	Relay, 24VDC, 40 Amp, SPDT	3
30	34-00662-08	Washer, Plain, #8, .032 Thick, SST	12
31	34-00663-08	Washer, Split Lock, #8, SST	12
32	66U1-5371	Bolt, Hex Head, Slotted, #8-32 X 1/2 Inch Long, SST	10
33	AC901-589-17	Label, ESR	1
34	68RM55-1136P	Bracket, Temperature Sensor, Painted	1
35	66U1-5371-7	Bolt, Hex Head, Slotted, #10-24 X 1/2 Inch Long, SST	1
36	34-00373-03	Clamp, Tube, .38 OD, With Neoprene Cushion, SST	1
37	68RM55-1160	Label, PR	1
38	AC902-503-13	Label, TB 1-4	1
39	22-01563-05	Terminal Block, 2.5 Inches Long, 4 Poles (#6-32 X 1/4 Inch)	1
40	22-01612-00	Jumper, Terminal Block	1
41	66U1-5371-5	Bolt, Hex Head, Slotted, #8-32 X 3/4 Inch Long, SST	2
42	AC901-589-35	Label, LB (Logic Module)	1
43	12-00392-11	Module, Controller Logic 24VDC - Includes:	1
44	22-50236-00	Harness, Ribbon Cable, 26 Pin (Logic Module To Relay Board)	1
45	34-00360-09	Nut, Hex, Self-Locking, #10-32, Zinc Plated	10
46	34-62000-00	Spacer, Nylon	10
47	58-00511-08	Washer, Nylon	10
48	12-00371-01	Board, Relay - Includes:	1
49	10-00286-11	Relay, 24VDC, 40 Amp, SPDT	11
50	10-00286-12	Relay, 24VDC, 40 Amp, SPDT (K13 Only)	1
51	22-02336-06	Fuse, 15 Amp	3
52	42-62005-00	Gasket, Relay Board	1
53	68RM40-157	Panel Assembly, Mounting, Logic Module & Relay Board, Painted	1
54	AC901-589-13	Label, RB	1
55	22-62106-00	Harness, Interface, Rotron (Unit Control Wiring Harness)	1
56	22-62107-00	Harness, Power, Rotron (Motor Power Wiring Harness)	1
57	22-62108-00	Harness, Control, Rotron (Control Panel Wiring Harness)	1
58	22-62063-00	Harness, A/C Control (Micromate Control Wiring Harness) - Includes:	1
59	22-62026-00	Connector, Plug, 6 Position	1
60	22-50145-00	Connector, Plug, 4 Position	1
61	22-50152-00	Terminal, Female Receptacle (16-26 AWG)	10



5.7 Electrical Control Panel - Model 68RM40-128-43, 128-45



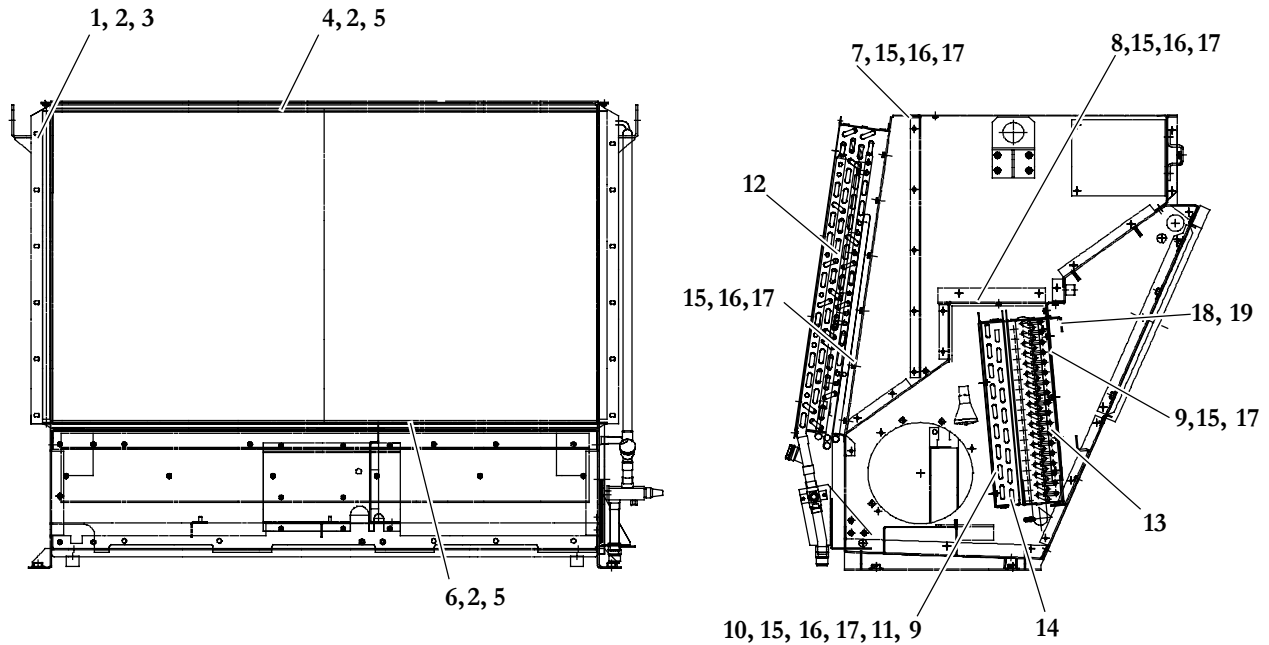
Item	Part Number	Description	Qty
1	68-62781-00	Panel Assembly, Electrical, Painted	1
2	68RM40-388P	Bracket Assembly, Contactor, Painted	1
3	34-50040-00	Bolt, Hex Head W/Split Lockwasher, 1/4-20 X 5/8 Inch Long, SST	5
4	34-00663-11	Washer, Split Lock, 1/4 Inch, SST	17
5	34-00662-11	Washer, Plain, 1/4 Inch, SST	17
6	AC901-589-14	Label, CSR	1
7	AC901-589-17	Label, ESR	1
8	10-00300-02	Contactora, 28VDC, SPNO	6
9	34-00655-04	Bolt, Hex Head, 1/4-20 X 1/2 Inch Long, SST	4
10	AC901-589-12	Label, EFR1	1
11	AC901-589-11	Label, EFR2	1
12	AC901-589-16	Label, CFR1	1
13	AC901-589-15	Label, CFR2	1
14	AC901-589-35	Label, LB (Logic Module)	1
15	AC902-503-13	Label, TB 1-4	1
16	AC901-589-25	Label, Boost Pump	1
17	10-00247-03	Breaker, Circuit - 15 Amp	1
18	34-00667-09	Nut, Hex, Self-Locking, #10-24, SST	11
19	34-00662-09	Washer, Plain, #10, .032 Thick, SST	12
20	66U1-5371-10	Bolt, Hex Head, Slotted, #10-24 X 1 Inch Long, SST	10
21	AC901-589-33	Label, CB2 60 Amp	1



5.7 Electrical Control Panel - Model 68RM40-128-43, 128-45 (Continued)			
Item	Part Number	Description	Qty
22	10-00307-01	Breaker, Circuit - 60 Amp	2
23	AC901-589-34	Label, CB3 60 Amp	1
24	AC901-589-31	Label, CB4 40 Amp	1
25	10-00247-05	Breaker, Circuit - 40 Amp	2
26	AC901-589-32	Label, CB5 40 Amp	1
27	68-62124-00	Bracket, Circuit Breaker, Painted	1
28	68RM55-1160	Label, PR	1
29	22-01594-00	Terminal Block, Power	1
30	34-00655-08	Bolt, Hex Head, 1/4-20 X 1 Inch Long, SST	2
31	AC902-503-6	Label, PTB	1
32	68RM55-1136P	Bracket, Temperature Sensor, Painted	1
33	34-00662-08	Washer, Plain, #8, SST	10
34	34-00663-08	Washer, Split Lock, #8, SST	10
35	66U1-5371	Bolt, Hex Head, Slotted, #8-32 X 1/2 Inch Long, SST	8
36	66U1-5371-7	Bolt, Hex Head, Slotted, #10-24 X 1/2 Inch Long, SST	1
37	34-00373-03	Clamp, Tube, .38 OD, With Neoprene Cushion, SST	1
38	10-00286-09	Relay, 24VDC, 40 Amp, SPDT	1
39	22-01563-05	Terminal Block, 2.5 Inches Long, 4 Poles (#6-32 X 1/4 Inch)	1
40	22-01612-00	Jumper, Terminal Block	1
41	66U1-5371-5	Bolt, Hex Head, Slotted, #8-32 X 3/4 Inch Long, SST	2
42	12-00392-11	Module, Controller Logic 24VDC - Includes:	1
43	22-50236-00	Harness, Ribbon Cable, 26 Pin (Logic Module To Relay Board)	1
44	34-00360-09	Nut, Hex, Self-Locking, #10-32, Zinc Plated	10
45	34-62000-00	Spacer, Nylon	10
46	58-00511-08	Washer, Nylon	10
47	12-00371-01	Board, Relay - Includes:	1
48	10-00286-11	Relay, 24VDC, 40 Amp, SPDT	11
49	10-00286-12	Relay, 24VDC, 40 Amp, SPDT (K13 Only)	1
50	22-02336-06	Fuse, 15 Amp	3
51	42-62005-00	Gasket, Relay Board	1
52	68RM40-157	Panel Assembly, Mounting, Logic Module & Relay Board, Painted	1
53	AC901-589-13	Label, RB	1
54	12-00391-03	Module, Drivers Display (Micromate Control Panel)	1
55	22-62106-00	Harness, Interface, Rotron (Unit Control Wiring Harness)	1
56	22-62135-00	Harness, Power, (WF) (Motor Power Wiring Harness)	1
57	22-62134-00	Harness, Control, (PM, WF) (Control Panel/Micromax Wiring Harness)	1



6 COIL KIT



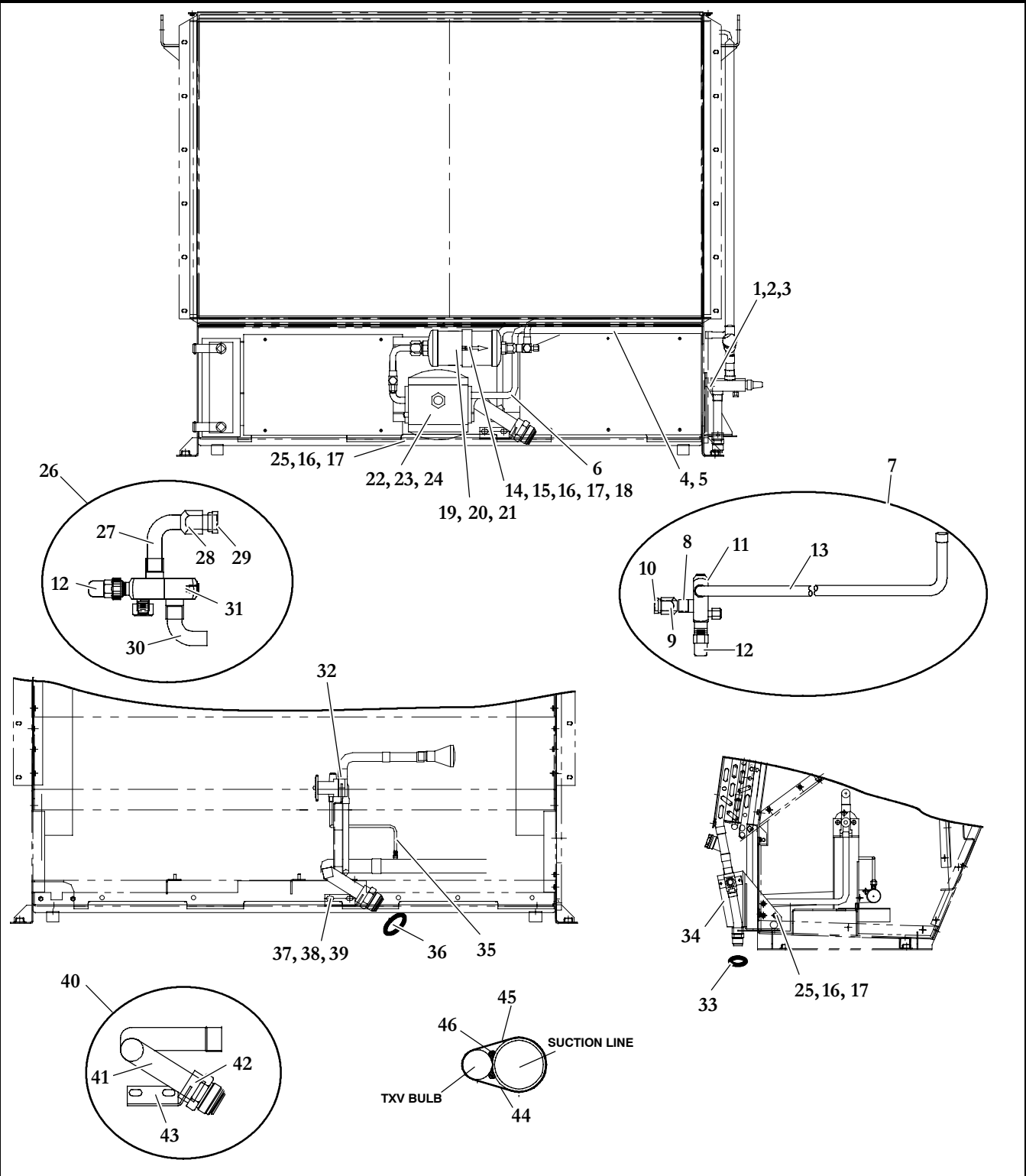
Item	Part Number	Description	Qty
6.1 Common Parts, All Models			
1	68RT10-1482-2P	Channel, Foam, Condenser Side, Painted	2
2	66U1-9122	Rivet, Pop, Closed End, 5/32 Dia., .062-.250 Grip Range	16
3	42-00221-03	Gasket, Condenser (Side)	2
4	68RT10-1492P	Channel, Foam, Condenser Top, Painted	1
5	42-00221-02	Gasket, Condenser (Top/Bottom)	2
6	68RT10-1502P	Channel, Foam, Condenser Bottom, Painted	1
7	68RM40-628P	Support, Top, Painted	1
8	68RM40-153	Cover Plate Assembly, Coils	1
9	34-50039-00	Washer, Flat, Fender, 1/4 x 1-1/4 OD, SST	12
10	AC093-151P	Shield, Evaporator Coil, Painted (Curb Side)	1
11	68RM40-1176P	Shield, Evaporator Coil, Painted (Road Side)	1



6.2 Model 68RM40-108-40			
Item	Part Number	Description	Qty
12	AC101-623	Coil Assembly, Condenser (Aluminum/Copper)	1
13	AC101-625	Coil Assembly, Evaporator (Aluminum/Copper)	1
14	AC101-614	Coil Assembly, Heater (Aluminum/Copper)	1
15	34-00655-06	Screw, Cap, Hex Head, 1/4-20 x 3/4 Inch Long, SST	47
16	34-00662-11	Washer, Flat, 1/4 Inch, SST	35
17	34-00663-11	Washer, Split-Lock, 1/4 Inch, SST	47
6.3 Model 68RM40-128-40			
12	AC101-623-1	Coil Assembly, Condenser (Copper/Copper)	1
13	AC101-625	Coil Assembly, Evaporator (Aluminum/Copper)	1
14	AC101-614	Coil Assembly, Heater (Aluminum/Copper)	1
15	34-00655-06	Screw, Cap, Hex Head, 1/4-20 x 3/4 Inch Long, SST	47
16	34-00662-11	Washer, Flat, 1/4 Inch, SST	35
17	34-00663-11	Washer, Split-Lock, 1/4 Inch, SST	47
6.4 Model 68RM40-128-41			
12	AC101-623	Coil Assembly, Condenser (Aluminum/Copper)	1
13	08-62007-00	Coil Assembly, Evaporator (Aluminum/Copper)	1
14	AC101-614	Coil Assembly, Heater (Aluminum/Copper)	1
15	34-00655-06	Screw, Cap, Hex Head, 1/4-20 x 3/4 Inch Long, SST	53
16	34-00662-11	Washer, Flat, 1/4 Inch, SST	41
17	34-00663-11	Washer, Split-Lock, 1/4 Inch, SST	53
6.5 Model 68RM40-108-41			
12	AC101-623	Coil Assembly, Condenser (Aluminum/Copper)	1
13	08-62007-00	Coil Assembly, Evaporator (Aluminum/Copper)	1
14	AC101-614	Coil Assembly, Heater (Aluminum/Copper)	1
15	34-00655-06	Screw, Cap, Hex Head, 1/4-20 x 3/4 Inch Long, SST	47
16	34-00662-11	Washer, Flat, 1/4 Inch, SST	35
17	34-00663-11	Washer, Split-Lock, 1/4 Inch, SST	47
6.6 Models 68RM40-108-42, 108-43, 128-42, 128-43			
12	08-62030-00	Coil Assembly, Condenser (Aluminum/Copper)	1
13	08-62007-00	Coil Assembly, Evaporator (Aluminum/Copper)	1
14	AC101-614	Coil Assembly, Heater (Aluminum/Copper)	1
15	34-00655-06	Screw, Cap, Hex Head, 1/4-20 x 3/4 Inch Long, SST	53
16	34-00662-11	Washer, Flat, 1/4 Inch, SST	43
17	34-00663-11	Washer, Split-Lock, 1/4 Inch, SST	53
18	68RM40-1078P	Bracket, Zee, Filter Support, Painted	1
6.7 Models 68RM40-108-44, 128-44, 128-45			
12	08-62030-00	Coil Assembly, Condenser (Aluminum/Copper)	1
13	08-62032-00	Coil Assembly, Evaporator/Heater (Aluminum/Copper)	1
15	34-00655-06	Screw, Cap, Hex Head, 1/4-20 x 3/4 Inch Long, SST	10
16	34-00662-11	Washer, Flat, 1/4 Inch, SST	2
17	34-00663-11	Washer, Split-Lock, 1/4 Inch, SST	10
18	68RM40-1078P	Bracket, Zee, Filter Support, Painted	1
19	34-62011-00	Screw, Hex Head, Sems With Lock Washer, 1/4-20 x 1 Inch Long, SST	39



7 REFRIGERANT PIPING KIT - R-22 MODELS



7.1 Refrigerant Piping Kit - Common Parts - All R-22 Models

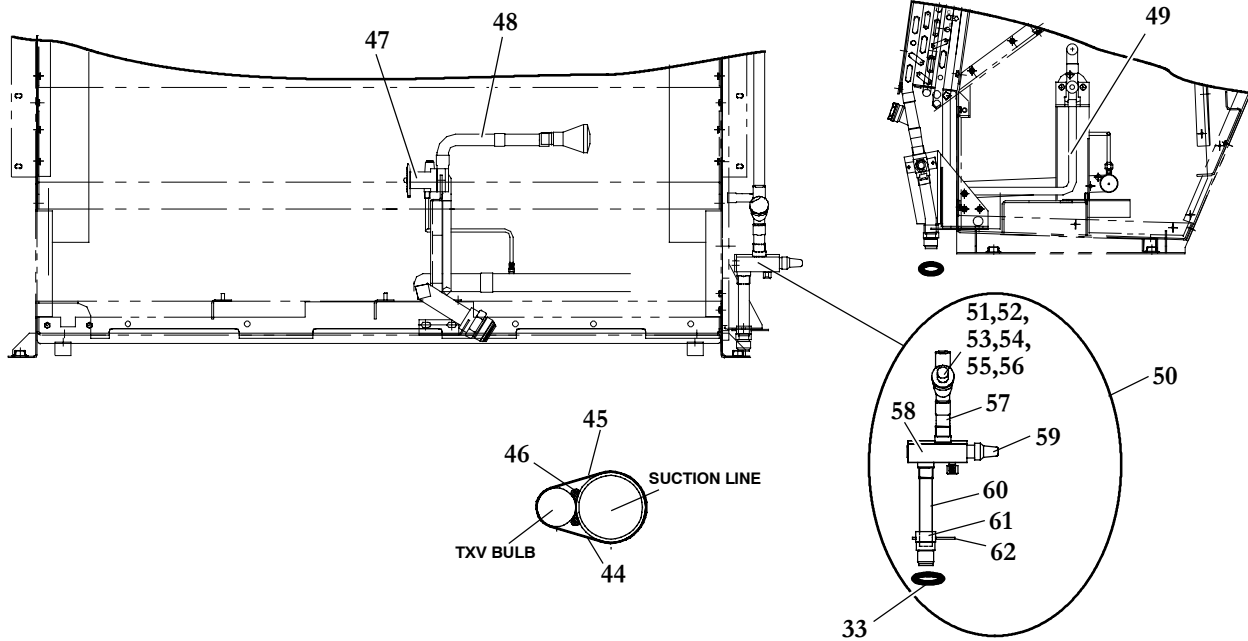
Item	Part Number	Description	Qty
1	34-00855-04	Screw, Cap, Hex Head, 3/8-24 x 1/2 Inch Long, SST	1
2	34-00662-13	Washer, Flat, 3/8 Inch, SST	1



7.1 Refrigerant Piping Kit - Common Parts - All R-22 Models (Continued)			
Item	Part Number	Description	Qty
3	34-00663-13	Washer, Split-Lock, 3/8 Inch, SST	1
4	68RM40-1276	Bracket, Tube Support, Brass	1
5	66U1-9122	Rivet, Pop, Closed End, 5/32 Dia., .062-.250 Grip Range	1
6	68RM40-718	Tube Assembly, Coil to Receiver	1
7	68RM40-126	Tube Assembly, Discharge, Drier To Coil - Includes:	1
8	99TS1040CK002000	Tube, Discharge, Straight, Valve To Drier, 5/8 OD x .040 Wall, Copper	1
9	34-06121-03	Nut, Hex, ORS Braze (1-14 Threads)	1
10	40-00503-03	Collar, Tube - 5/8 ORS, Brass	1
11	40-00501-10	Valve, King, Brass, 5/8 ODF	1
12	40-00501-50	Cap, King Valve, Service Part	1
13	56-03852-00	Tube, Bent, Valve To Coil, 5/8 OD x .040 Inch Wall, Copper	1
14	68RM40-1076P	Clamp, Filter Drier, Painted	2
15	68RM40-1206P	Bracket, Filter Drier Mounting, Painted	1
16	34-00662-11	Washer, Flat, 1/4 Inch, SST	13
17	34-00663-11	Washer, Split-Lock, 1/4 Inch, SST	13
18	34-00666-11	Nut, Hex, 1/4-20 Inch, SST	1
19	14-00320-00	Drier, Filter, 3/4 ORS x 5/8 ORS - Includes:	1
20	42-00243-03	O-Ring, .614 ID x .070 Thick	1
21	42-00243-11	O-Ring, .739 ID x .070 Thick	1
22	65-01035-01	Receiver Assembly, Painted, Without Sight Glass	1
23	14-01032-01	Plug, Fusible, Safety, 3/8 NPTF	1
24	14-00111-00	Sight Glass, Receiver (Red Ball Float)	1
25	34-00655-06	Screw, Cap, Hex Head, 1/4-20 x 3/4 Inch Long, SST	13
26	68RM40-988	Tube Assembly, Discharge, Receiver To Drier - Includes:	1
27	56-03853-00	Tube, Discharge, Bent, Valve To Drier, 5/8 OD x .040 Inch, Copper	1
28	34-06121-04	Nut, Hex, ORS Braze (1-3/16-12 Threads)	1
29	40-00503-04	Collar, Tube - 5/8 ORS, Nickel Plated Steel	1
30	56-03848-00	Tube, Discharge, Bent, Receiver To Valve, 5/8 OD x .040 Wall, Copper	1
31	40-00501-06	Valve, King, Brass, 5/8 ODF	1
32	66U1-1214-5	Body, Flange, TXV, 5/8 ODF Inlet x 7/8 ODF Outlet	1
33	KK71JV010	O-Ring, .864 ID x .070 Thick	1
34	86-62109-00	Bracket Assembly, Support, Discharge Tube, Painted	1
35	56-03864-00	Tube Assembly, Equalizer	1
36	KK71GW015	O-Ring, 1.30 ID x .103 Thick	1
37	34-00662-12	Washer, Flat, 5/16 Inch, SST	2
38	34-00663-12	Washer, Split-Lock, 5/16 Inch, SST	2
39	34-00792-08	Screw, Cap, Hex Head, 5/16-18 x 1 Inch Long, SST	2
40	68RM40-888	Tube Assembly, Suction, R-22 - Includes:	1
41	56-03860-00	Tube, Suction, Bent, Heat Exchanger Outlet, 1-3/8 OD x .055 Wall, Copper	1
42	66U1-1003-19	Adapter, JIC, 1-3/8 ODF x 1-7/8-12 Flare	1
43	68RM40-1143-1	Bracket, Support, Suction Line	1
44	44-00045-03	Clamp, Hose, Worm Type (7/8 - 1-3/4 Inch)	2
45	42-00032-05	Tape, Insulation, Pressúte (21 Inches Long)	1
46	02-00010-01	Grease, Thermomastic (6cc Syringe)	1



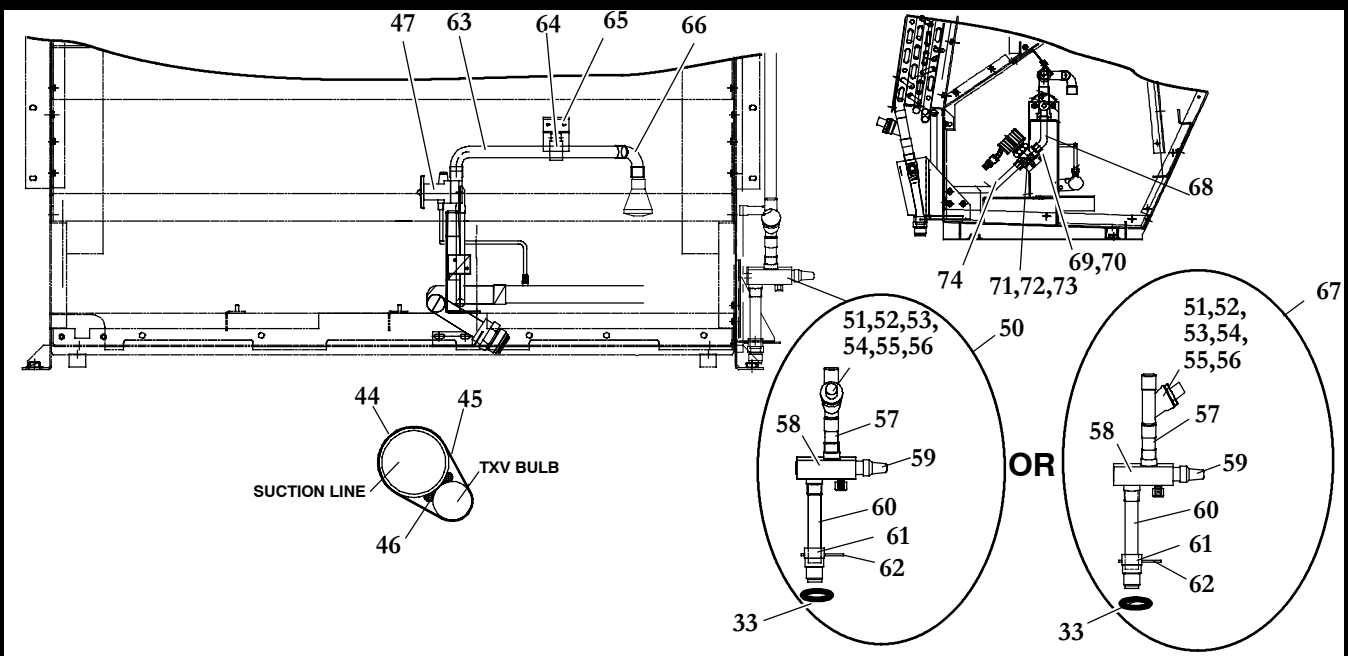
7.2 Refrigerant Piping Kit - R-22 - Model 68RM40-108-40



Item	Part Number	Description	Qty
47	14-01104-52	Valve, TXV, Less Flange, 7.5 Tons, R-22	1
48	68RM40-1518	Tube, Liquid, Bent, TXV To Evaporator, 7/8 OD x .045 Wall, Copper	1
49	68RM40-1538	Tube, Liquid, Bent, TXV-Bottom, 5/8 OD x .040 Wall, Copper	1
50	81-62037-00	Tube Assembly, Discharge - Includes:	1
51	14-00281-04	Valve, Check, 7/8 ODF - Includes:	1
52	14-50050-01	Spring And Piston/Seat Assembly - Includes:	1
53	73-50006-00	Spring, Check Valve, SST	1
54	16-03301-00	Gasket, Check Valve	1
55	14-50093-00	Disk, Spacer, Check Valve Cap	1
56	14-50051-00	Cap, Check Valve	1
57	99TS1445CK002000	Tube, Discharge, Straight, 7/8 OD x .045 Wall, Copper	1
58	40-00501-08	Valve, King, Brass, 7/8 ODF	1
59	40-00501-50	Cap, King Valve, Service Part	1
60	56-03851-00	Tube, Discharge, Bent, 7/8 OD x .045 Wall, Copper	1
61	DE07DA608	Adapter, JIC, 7/8 ODF x 1-5/16-12 Flare	1
62	68RM40-106-1	Bracket Assembly, Support, Discharge Tube	1



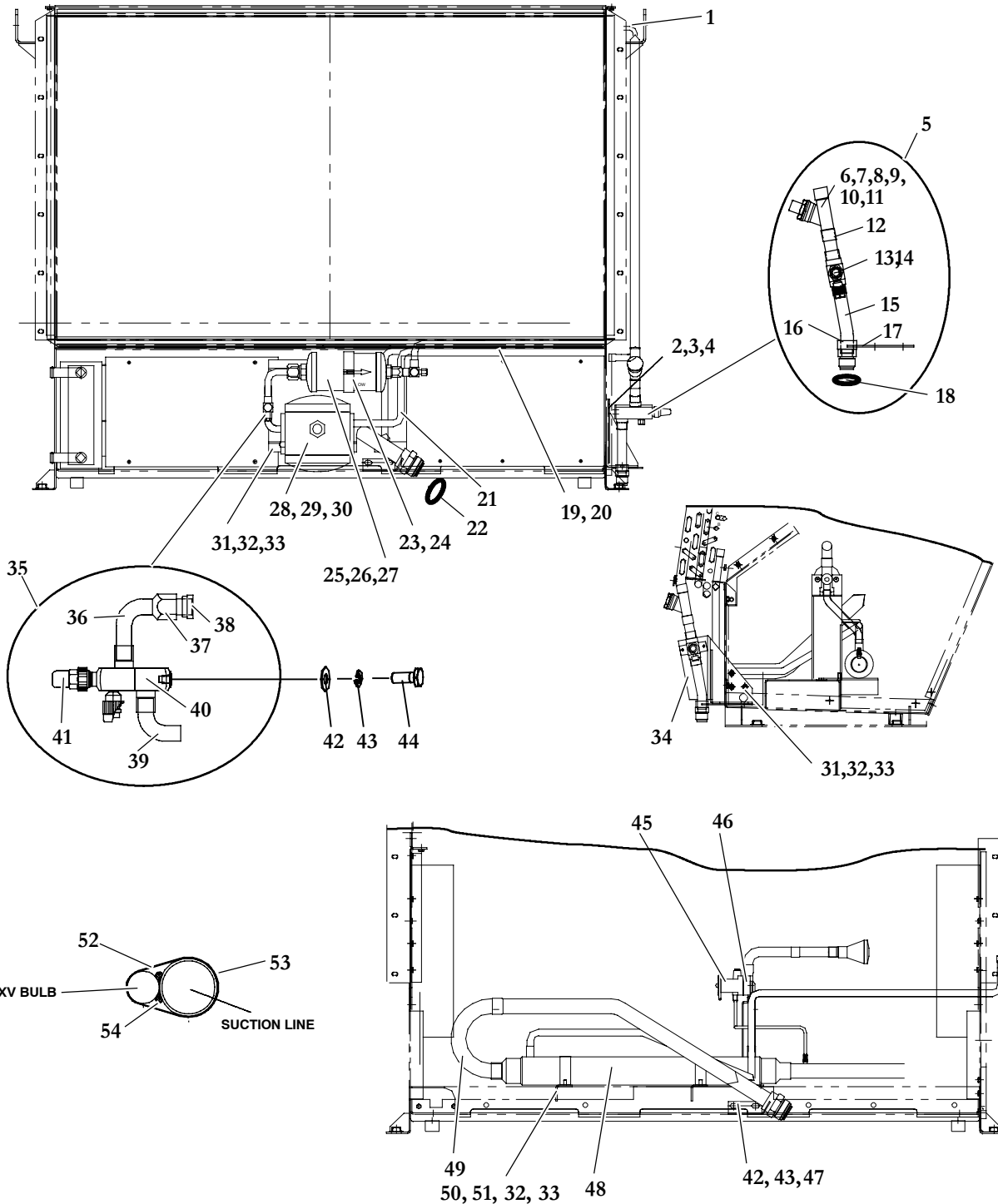
7.3 Refrigerant Piping Kit - R-22 - Models 68RM40-108-41, 42, 43, 44



Item	Part Number	Description	Qty
47	66U1-1224-28	Valve, TXV, Less Flange, 10 Tons, R-22 (Units 68RM40-108-41, 108-43)	1
	14-01104-52	Valve, TXV, Less Flange, 7.5 Tons, R-22 (Units 68RM40-108-42, 108-44)	1
63	56-62012-00	Tube, Liquid, Bent, TXV To Evaporator, 7/8 OD x .045 Wall, Copper	1
64	44-00337-10	Clamp, Hose, Constant Torque, 7/8 inch	1
65	68-62069-00	Bracket, Support, Angle, Painted	1
66	40-00071-39	Elbow, 90 Degree, Long Radius, Copper, 7/8 ODS	1
50	81-62037-00	Tube Assembly, Discharge (Units 68RM40-108-41, 108-43) - Includes:	1
67	81-62097-00	Tube Assembly, Discharge (Units 68RM40-108-42, 108-44) - Includes:	1
51	14-00281-04	Valve, Check, 7/8 ODF - Includes:	1
52	14-50050-01	Spring And Piston/Seat Assembly - Includes:	1
53	73-50006-00	Spring, Check Valve, SST	1
54	16-03301-00	Gasket, Check Valve	1
55	14-50093-00	Disk, Spacer, Check Valve Cap	1
56	14-50051-00	Cap, Check Valve	1
57	99TS1445CK002000	Tube, Discharge, Straight, 7/8 OD x .045 Wall, Copper	1
58	40-00501-08	Valve, King, Brass, 7/8 ODF	1
59	40-00501-50	Cap, King Valve, Service Part	1
60	56-03851-00	Tube, Discharge, Bent, 7/8 OD x .045 Wall, Copper	1
61	DE07DA608	Adapter, JIC, 7/8 ODF x 1-5/16-12 Flare	1
62	68RM40-106-1	Bracket Assembly, Support, Discharge Tube	1
68	56-62073-00	Tube, Liquid, Bent, 5/8 OD x .040 Wall, Copper	1
69	34-00663-08	Washer, Split-Lock, #8 Inch, SST	2
70	34-06264-03	Screw, Hex Head, Slotted With Washer, #8-32 x 3/8 Inch Long, SST	2
71	14-00236-00	Valve, Solenoid, 5/8 ODF x 7/8 ODM - Includes:	1
72	14-00236-50	Coil, Solenoid Valve, 24VDC	1
73	14-00236-51	Repair Kit, Solenoid Valve	1
74	56-62072-00	Tube, Liquid, Bent, 5/8 OD x .040 Wall, Copper	1



8 REFRIGERANT PIPING KIT - R-134a MODELS



8.1 Refrigerant Piping Kit - Common Parts - All R-134a Models

Item	Part Number	Description	Qty
1	58-00065-88	Grommet, 1-3/8 Inch ID x 1-5/8 Inch Hole, 5/32 Inch Groove	1
2	34-00855-04	Screw, Cap Hex Head, 3/8-24 x 1/2 Inch Long, SST	1
3	34-00662-13	Washer, Flat, 3/8 Inch, SST	1
4	34-00663-13	Washer, Split-Lock, 3/8 Inch, SST	1



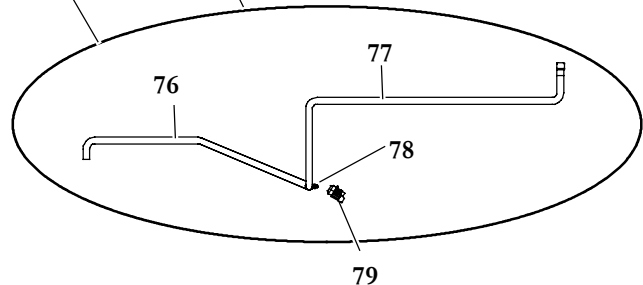
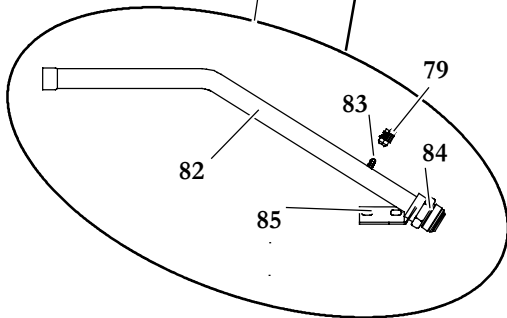
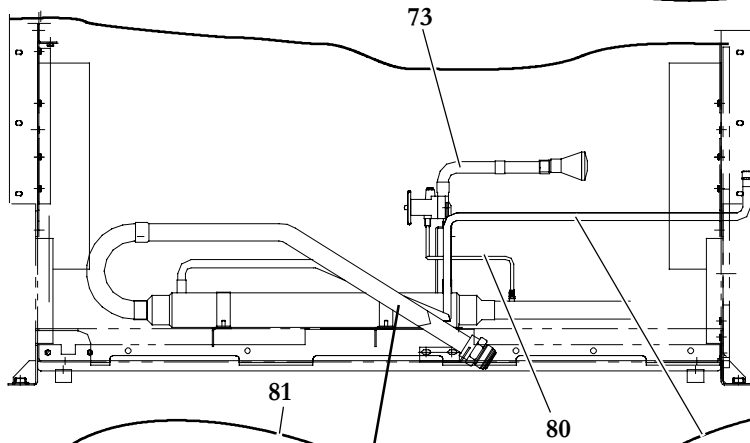
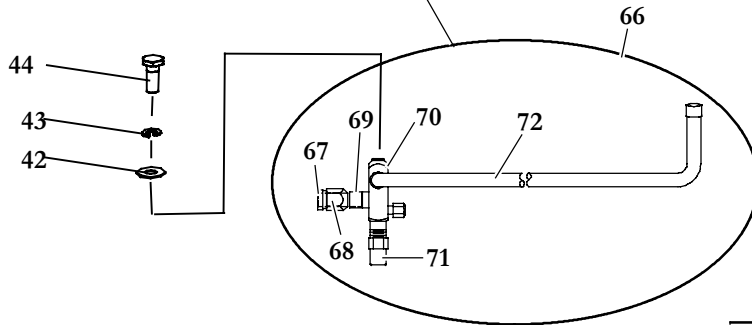
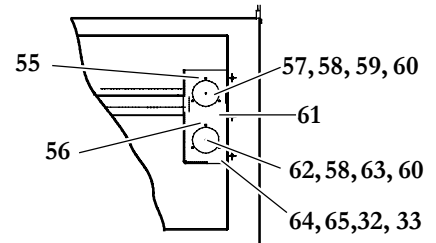
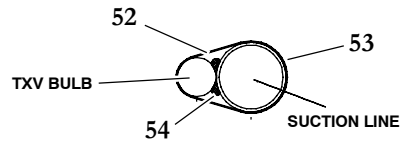
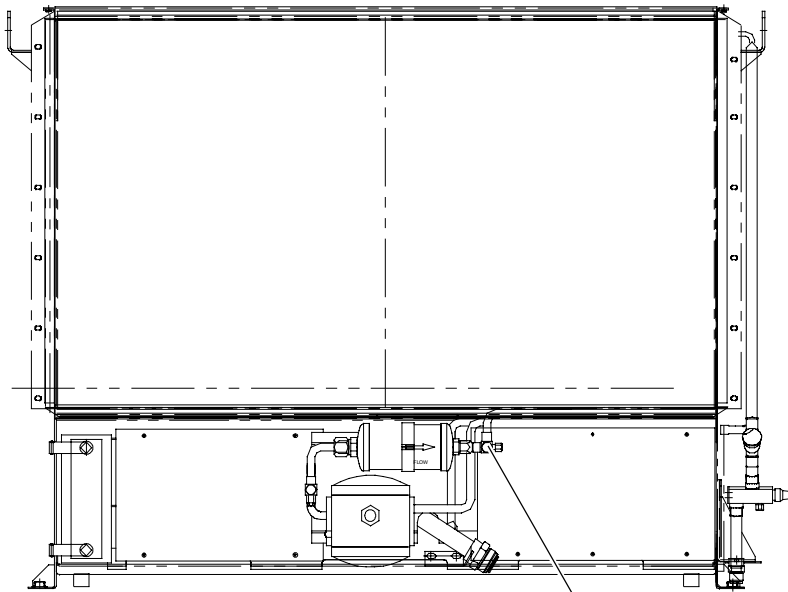
8.1 Refrigerant Piping Kit - Common Parts - All R-134a Models (Continued)			
Item	Part Number	Description	Qty
5	68RM40-708	Tube Assembly, Discharge (R-134a) - Includes:	1
6	14-00281-04	Valve, Check, 7/8 ODF - Includes:	1
7	14-50050-01	Spring And Piston/Seat Assembly - Includes:	1
8	73-50006-00	Spring, Check Valve, SST	1
9	16-03301-00	Gasket, Check Valve	1
10	14-50093-00	Disk, Spacer, Check Valve Cap	1
11	14-50051-00	Cap, Check Valve	1
12	99TS1445CK002000	Tube, Discharge, Straight, 7/8 OD x .045 Wall, Copper	1
13	40-00501-07	Valve, King, Brass, 7/8 ODF	1
14	40-00501-50	Cap, King Valve, Service Port	1
15	56-03851-00	Tube, Discharge, Bent, 7/8 OD x .045 Wall, Copper	1
16	DE07DA608	Adapter, JIC, 7/8 ODF x 1-5/16-12 Flare	1
17	68RM40-106-1	Bracket Assembly, Support, Discharge Tube	1
18	KK71JV010	O-Ring, .864 ID x .070 Thick	1
19	68RM40-1276	Bracket, Tube Support, Brass	1
20	66U1-9122	Rivet, Pop, Closed End, 5/32 Dia., .062-.250 Grip Range	1
21	68RM40-718	Tube Assembly, Coil to Receiver	1
22	KK71GW015	O-Ring, 1.30 ID x .103 Thick	1
23	68RM40-1076P	Clamp, Filter Drier, Painted	2
24	68RM40-1206P	Bracket, Filter Drier Mounting, Painted	1
25	14-00320-00	Drier, Filter, 3/4 ORS x 5/8 ORS - Includes:	1
26	42-00243-03	O-Ring, .614 ID x .070 Thick	1
27	42-00243-11	O-Ring, .739 ID x .070 Thick	1
28	65-01035-01	Receiver Assembly, Painted, Without Sight Glass	1
29	14-01032-01	Plug, Fusible, Safety, 3/8 NPTF	1
30	14-00111-00	Sight Glass, Receiver (Red Ball Float)	1
31	34-00655-06	Screw, Cap, Hex Head, 1/4-20 x 3/4Inch Long, SST	15
32	34-00662-11	Washer, Flat, 1/4 Inch, SST	20
33	34-00663-11	Washer, Split-Lock, 1/4 Inch, SST	17
34	86-62109-00	Bracket Assembly, Support, Discharge Tube, Painted	1
35	68RM40-116	Tube Assembly, Discharge, Receiver To Drier - Includes:	1
36	56-03853-00	Tube, Discharge, Bent, Valve To Drier, 5/8 OD x .040 Wall, Copper	1
37	34-06121-04	Nut, Hex, ORS Braze (1-3/16-12 Threads)	1
38	40-00503-04	Collar, Tube - 5/8 ORS, Nickel Plated Steel	1
39	56-03848-00	Tube, Discharge, Bent, Receiver To Valve, 5/8 OD x .040 Wall, Copper	1
40	40-00501-05	Valve, King, Brass, 5/8 ODF	1
41	40-00501-50	Cap, King Valve, Service Port	1
42	34-00662-12	Washer, Flat, 5/16 Inch, SST	2
43	34-00663-12	Washer, Split-Lock, 5/16 Inch, SST	2
44	34-00799-04	Screw, Cap, Hex Head, 5/16-24 x 1/2 Inch Long, SST	2
45	14-01104-35	Valve, TXV, Less Flange, 5.5 Tons, R-134a	1
46	66U1-1214-5	Body, Flange, TXV, 5/8 ODF Inlet x 7/8 ODF Outlet	1
47	34-00792-08	Screw, Cap, Hex Head, 5/16-18 x 1 Inch Long, SST	2
48	AC101-900	Heat Exchanger (HX), Suction Line	1



8.1 Refrigerant Piping Kit - Common Parts - All R-134a Models (Continued)			
Item	Part Number	Description	Qty
49	56-03858-00	Tube, Suction, Bent, HX Outlet, 1-3/8 OD x .055 Inch Wall, Copper	1
50	68RM40-1266	Bracket, Heat Exchanger	2
51	34-00666-11	Nut, Hex, 1/4-20 Inch, SST	2
52	44-00045-03	Clamp, Hose, Worm Type (7/8 - 1-3/4 Inch)	2
53	42-00032-05	Tape, Insulation, Presstite (21 Inches Long)	1
54	02-00010-01	Grease, Thermomastic (6cc Syringe)	1



8.2 Refrigerant Piping Kit - R-134a - Model 68RM40-128-40

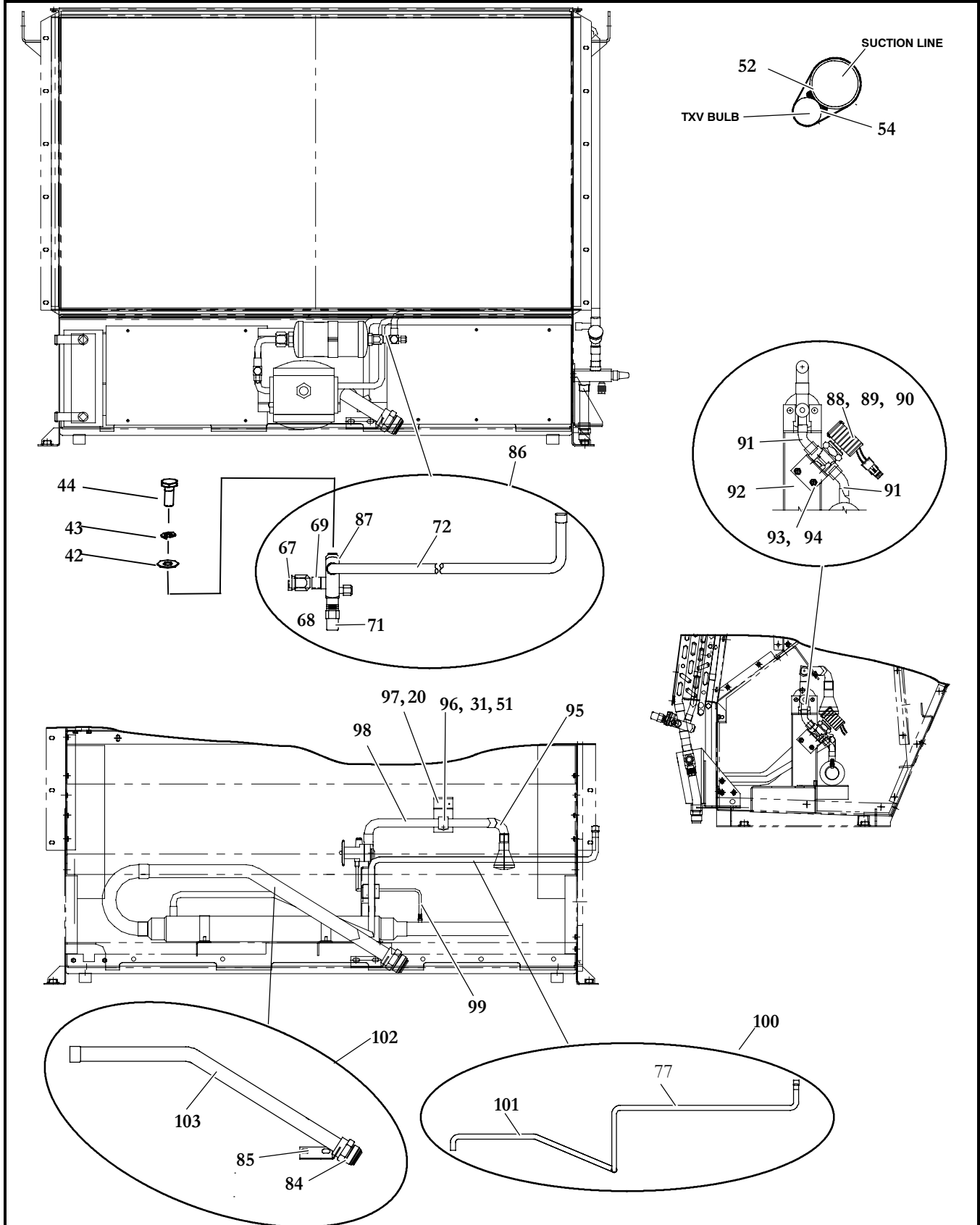




8.2 Refrigerant Piping Kit - R-134a - Model 68RM40-128-40			
Item	Part Number	Description	Qty
55	AC901-591	Label, Suction	1
56	AC901-592	Label, Discharge	1
57	12-01124-02	Gauge, Pressure, Suction, 30 Inches HG. To 150 PSIG	1
58	AC301-697	Connector, .25 FFL W/Dep. x .25 MFL	2
59	68RM40-908-1	Tube Assembly, Capillary, Suction Gauge Line	1
60	34-00852-08	Screw, Flat Head, Slotted, #6-32 x 1/2 Inch Long, SST	6
61	AC093-172P	Bracket, Gauge Support, Painted	1
62	12-01125-02	Gauge, Pressure, Discharge, 30 Inches HG. To 500 PSIG	1
63	68RM40-908	Tube Assembly, Capillary, Discharge Gauge Line	1
64	34-00655-12	Screw, Cap, Hex Head, 1/4-20 x 1-1/2 Inch Long, SST	3
65	34-00667-11	Nut, Hex, Self-Locking, 1/4-20 Inch, SST	4
66	68RM40-126	Tube Assembly, Discharge, Drier To Coil - Includes:	1
67	40-00503-03	Collar, Tube - 5/8 ORS, Brass	1
68	34-06121-03	Nut, Hex, ORS Braze (1-14 Threads)	1
69	99TS1040CK002000	Tube, Discharge, Straight, Valve To Drier, 5/8 OD x .040 Wall, Copper	1
70	40-00501-10	Valve, King, Brass, 5/8 ODF	1
71	40-00501-50	Cap, King Valve, Service Part	1
72	56-03852-00	Tube, Bent, Valve To Coil, 5/8 OD x .040 Wall, Copper	1
73	68RM40-1097	Tube, Liquid, Bent, TXV Flange, 7/8 OD x .045 Wall, Copper	1
74	68RM40-1508	Tube, Liquid Suction Heat Exchanger to TXV, 5/8 OD x .040 Wall, Copper	1
75	68RM40-138	Tube Assembly, Liquid Line With Access Valve - Includes:	1
76	68RM40-1668	Tube, Liquid Line With Access Valve, 5/8 OD x .040 Wall, Copper	1
77	56-03859-00	Tube, Liquid Line Bent, 5/8 OD x .040 Wall, Copper	1
78	40-01124-00	Body, Valve, Brass, 1/4 SAE Flare	1
79	AC302-438	Adapter, Hi-Tap, Straight, Brass, R-134a	2
80	68RM40-758	Tube Assembly, Equalizer	1
81	68RM40-768-1	Tube Assembly, Suction, With Access Valve, R-134a - Includes:	1
82	68RM40-1398	Tube, Suction Bent, Heat Exchanger Outlet, 1-3/8 OD x .055 Wall, Copper	1
83	40-01124-00	Body, Valve, Brass, 1/4 SAE Flare	1
84	66U1-1003-19	Adapter, JIC, 1-3/8 ODF Inlet x 1-7/8-12 Flare	1
85	68RM40-1143-1	Bracket, Support, Suction Line	1



8.3 Refrigerant Piping Kit - R-134a - Models 68RM40-128-41, 42, 43, 44, 45

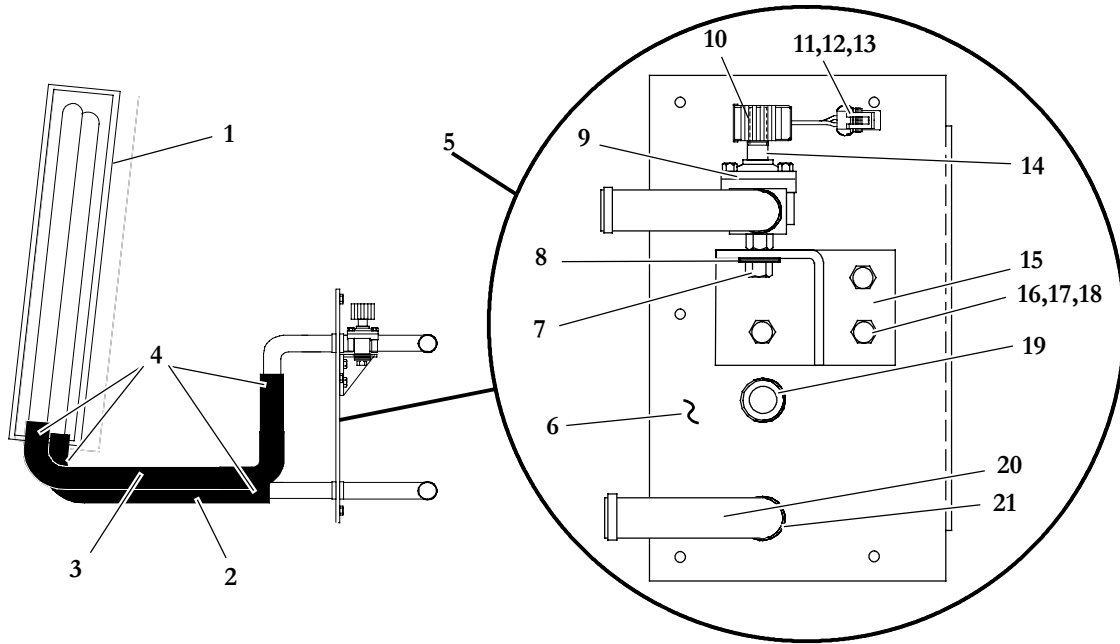




8.3 Refrigerant Piping Kit - R-134a - Models 68RM40-128-41, 42, 43, 44, 45			
Item	Part Number	Description	Qty
86	81-62036-00	Tube Assembly, Discharge, Drier To Coil - Includes:	1
69	99TS1040CK002000	Tube, Discharge, Straight, Valve To Drier, 5/8 OD x .040 Wall, Copper	1
68	34-06121-03	Nut, Hex, ORS Braze (1-14 Threads)	1
67	40-00503-03	Collar, Tube - 5/8 ORS, Brass	1
87	40-00501-09	Valve, King, Brass, 5/8 ODF	1
71	40-00501-50	Cap, King Valve, Service Part	1
72	56-03852-00	Tube, Bent, Valve To Coil, 5/8 OD x .040 Wall, Copper	1
88	14-00236-00	Valve, Solenoid, 5/8 ODF x 7/8 ODM - Includes:	1
89	14-00236-50	Coil, Solenoid Valve, 24VDC	1
90	14-00236-51	Repair Kit, Solenoid Valve	1
91	56-62008-00	Tube, Liquid Line Bent, TXV To Solenoid, 5/8 OD x .040 Wall, Copper	2
92	68-62048-00	Bracket Support, Solenoid Valve, Painted	1
93	34-00663-08	Washer, Split-Lock, #8, SST	2
94	34-06264-03	Screw, Hex Head, Slotted With Washer, #8-32 x 3/8 Inch Long, SST	2
95	40-00071-39	Elbow, 90 Degree, Long Radius, Copper, 7/8 ODS	1
96	44-00337-10	Clamp, Tube, Cushioned, 7/8	1
97	68-62069-00	Bracket Support, Angle, Painted	1
98	56-62012-00	Tube, Liquid, Bent, TXV To Evaporator, 7/8 OD x .045 Wall, Copper	1
99	56-03864-00	Tube Assembly, Equalizer	1
100	68RM40-998	Tube Assembly, Liquid, Suction Heat Exchanger Outlet - Includes:	1
77	56-03859-00	Tube, Liquid Line Bent, 5/8 OD x .040 Wall, Copper	1
101	56-03863-00	Tube, Liquid Line Bent, 5/8 OD x .040 Wall, Copper	1
102	68RM40-768	Tube Assembly, Suction, R-134a - Includes:	1
103	56-03861-00	Tube, Suction Bent, Exchanger Outlet, 1-3/8 OD x .055 Wall, Copper	1
84	66U1-1003-19	Adapter, JIC, 1-3/8 ODF Inlet x 1-7/8-12 Flare	1
85	68RM40-1143-1	Bracket, Support, Suction Line	1



9 HEATER COIL AND VALVE ASSEMBLY

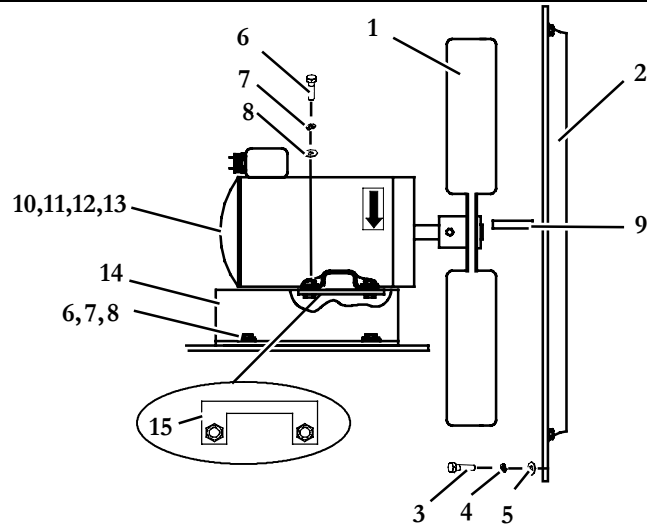


Item	Part Number	Description	Qty
1	AC101-614	Coil Assembly, Heater (Models 68RM40-108-40, 41, 42, 43, 128-40, 41, 42, 43)	1
2	68RM40-1207	Hose, Heater Inlet, 7/8 Inch ID (Pre-formed)	1
	AC301-244	Hose, Heater Inlet, 17 Inches Required (50 Foot Roll, 7/8 Inch EPDM)	
3	68RM40-1237	Hose, Heater Outlet, 7/8 Inch ID (Pre-formed)	1
	AC301-244	Hose, Heater Outlet, 22 Inches Required (50 Foot Roll, 7/8 Inch EPDM)	
4	44-00318-00	Clamp, Hose, Constant Torque, 7/8 Inch, SST	4
5	68RM40-608	Heater Plate Assembly, Heater Coil Connections - Includes:	1
6	68RM40-448	Panel Assembly - Includes:	1
7	34-00665-14	Nut, Hex, 7/16-20 (SST)	1
8	34-00662-14	Washer, Plain, 7/16 (SST)	1
9	68RM40-1137	Valve, Coolant (Reheat) - Includes:	1
10	14-01110-02	Coil, Solenoid (24vdc) - Includes:	1
11	22-01585-00	Connector, Male, 2 Pin, Black	1
12	22-02394-01	Seal, Cable	2
13	22-01566-01	Terminal, Female (18-20 AWG)	2
14	14-50036-00	Repair Kit, Solenoid Valve	1
15	68RM40-1026P	Bracket, Coolant Valve, Painted	1
16	34-00662-11	Washer, Plain, 1/4 Inch, (SST)	3
17	34-00663-11	Washer, Split Lock, 1/4 Inch, (SST)	3
18	34-00655-06	Bolt, Hex Head, 1/4-20 x 3/4 Inch Long (SST)	3
	34-62011-00	Screw, Hex Head, Sems, 1/4-20 x 1 Inch Long (SST)	3
19	AC801-319	Grommet, 3/8 ID, 17/32 Hole, 1/8 Groove	1
20	56-03850-00	Tube, Heater Inlet, 7/8 Inch OD, Beadlock	1
21	66CH1-1212-8	Coupling, 7/8 ID x 3/4 Inch Long	2

NOTE: On Models 68RM40-108-44, 68RM40-128-44 and 68RM40-128-45 the heater coil is an integral part of the evaporator coil.



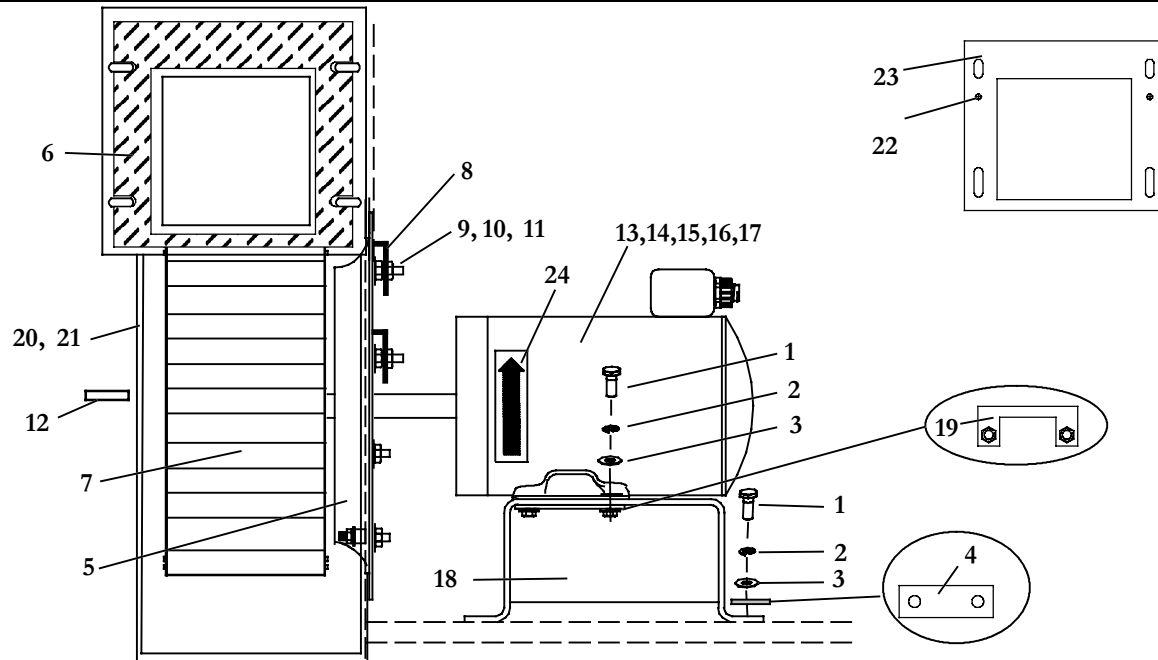
10 CONDENSER FAN MOTOR ASSEMBLY



Item	Part Number	Description	Qty
10.1 Common Parts - All Models			
1	38-00128-00	Fan Blade, Condenser, 20 Inches	2
2	68RT10-1452	Ring, Fan, Painted	2
3	66U1-5371-6	Screw, Slotted Hex Head, #10-24 x 3/4 Inch Long - SST	12
4	34-00663-09	Washer, Split Lock, #10 - SST	12
5	66U1-5321-8	Washer, Flat, #10 - SST	12
6	34-00792-08	Bolts, 5/16-18 x 1 SST (Motor to Bracket, Bracket to Channel)	16
7	34-00663-12	Washer, Split Lock, 5/16 Inch SST	16
8	34-00662-12	Washer, Flat, 5/16 Inch SST	16
9	34-00672-00	Key, Square, 3/16 x 1-1/4 Inch	2
10.2 Models 68RM40-108-40, 108-41, 128-41, 128-43, 128-45			
10	54-00526-00	Motor, Condenser, Wound Field, 0.5 HP, Includes:	2
11	54-00508-30	Brush	4
12	54-00508-21	Bearing, Opposite Shaft End	1
13	54-00517-20	Bearing, Shaft End	1
14	68RM40-1223P	Channel, Condenser Motor Mounting, Painted	2
15	68RM40-202-3P	Bracket Assembly, 2 Pieces Required Per Motor, Painted	4
10.3 Models 68RM40-108-42, 108-44, 128-40, 128-42, 128-44			
10	54-00529-01	Motor, Condenser, 0.5 HP, Brushless	2
14	68RM40-1063P	Channel, Condenser Motor Mounting, Painted	2
15	68RM40-202-2P	Bracket Assembly, 2 Pieces Required Per Motor, Painted	4
10.4 Model 68RM40-108-43			
10	54-00122-06	Motor, Condenser, Permanent Magnet, 0.5 HP, Includes:	2
11	54-00508-30	Brush	4
12	54-00122-23	Bearing, Opposite Shaft End	1
13	54-00508-20	Bearing, Shaft End	1
14	68RM40-1063P	Channel, Condenser Motor Mounting, Painted	2
15	68RM40-202-2P	Bracket Assembly, 2 Pieces Required Per Motor, Painted	4



11 EVAPORATOR BLOWER ASSEMBLY



Item	Part Number	Description	Qty
11.1 Common Parts - All Models			
1	34-00792-08	Bolts, Motor Mounting, 5/16-18 x 1, SST	16
2	34-00662-12	Washer, Plain, 5/16, SST	16
3	34-00663-12	Washer, Split Lock, 5/16, SST	16
4	68RM35-1106P	Plate, Motor Mount Washer, Painted (Two Pieces Required for Each Motor)	4
5	68RM55-1076	Venturi, Blower, Plastic	2
6	68RM40-1267	Gasket, Discharge, Blower Housing	2
7	38-00512-01	Blower Wheel, Counterclockwise, 9 Inch Diameter, Roadside	1
	38-00512-00	Blower Wheel, Clockwise, 9 Inch Diameter, Curbside	1
8	68RM55-1142P	Clip, Venturi Ring (4 Pieces for Each Motor), Painted	8
9	34-00829-11	Washer, Plain, 1/4 (SST)	8
10	34-00663-11	Washer, Split Lock, 1/4 (SST)	8
11	34-00666-11	Nut, Hex, 1/4-20 (SST)	8
12	34-00672-00	Key, Square, 3/16 x 1-1/4 Inch	2
11.2 Models 68RM40-108-40, 108-41, 128-41, 128-43			
13	AC501-148	Motor, Evaporator Fan, .75 HP, Wound Field, Includes:	2
14	54-00508-30	Brush	4
16	54-00517-20	Bearing, Shaft End	1
17	54-00122-23	Bearing, Opposite Shaft End	1
18	68RM35-117P	Bracket, Motor Mounting, Painted	2
19	68RM40-202-3P	Bracket Assembly, Painted (2 Pieces Required To Secure Each Motor To Item 18)	4
20	68RM40-548	Blower Housing, Curbside	1
	68RM40-548-1	Blower Housing, Roadside	1
21	68RM40-1197	Insulation, Blower Housing, Roadside	1
	68RM40-1197-1	Insulation, Blower Housing, Curbside	1
24	AC902-506	Label, Rotation Arrow	2



11.3 Models 68RM40-108-42, 128-40, 128-42			
Item	Part Number	Description	Qty
19	68RM40-202-2P	Bracket Assembly, Painted (2 Pieces Required To Secure Each Motor To Item 18)	4
13	AC501-152	Motor, Evaporator Fan, .75 HP, Brushless	2
18	68RM35-107P	Bracket, Motor Mounting, Painted	2
20	68RM40-548	Blower Housing, Curbside	1
	68RM40-548-1	Blower Housing, Roadside	1
21	68RM40-1197	Insulation, Blower Housing, Roadside	1
	68RM40-1197-1	Insulation, Blower Housing, Curbside	1
11.4 Model 68RM40-108-43			
13	54-00599-00	Motor, Evaporator Fan, .75 HP, Permanent Magnet, Includes:	2
14	54-50067-00	Brush	4
15	54-50067-31	Brush Holder	1
16	54-00508-20	Bearing, Shaft End	1
17	54-00122-23	Bearing, Opposite Shaft End	1
18	68RM35-107P	Bracket, Motor Mounting, Painted	2
19	68RM40-202-2P	Bracket Assembly, Painted (2 Pieces Required To Secure Each Motor To Item 18)	4
20	38-00571-01	Blower Housing, Curbside	1
	38-00571-00	Blower Housing, Roadside	1
21	42-62070-00	Insulation, Blower Housing, Roadside	1
	42-62070-01	Insulation, Blower Housing, Curbside	1
22	34-00667-11	Nut, Hex, 1/4-20, Self Locking, (SST) (2 Pieces for each motor)	4
23	68-62942-00	Adapter Flange, Blower Housing, Painted	2
24	AC902-506	Label, Rotation Arrow	2
11.5 Models 68RM40-108-44, 128-44			
13	AC501-152	Motor, Evaporator Fan, .75 HP, Brushless	2
18	68RM35-107P	Bracket, Motor Mounting, Painted	2
19	68RM40-202-2P	Bracket Assembly, Painted (2 Pieces Required To Secure Each Motor To Item 18)	4
20	38-00571-00	Blower Housing, Roadside	1
	38-00571-01	Blower Housing, Curbside	1
21	42-62070-00	Insulation, Blower Housing, Roadside	1
	42-62070-01	Insulation, Blower Housing, Curbside	1
22	34-00667-11	Nut, Hex, 1/4-20, Self Locking, (SST) (2 Pieces for each motor)	4
23	68-62942-00	Adapter Flange, Blower Housing, Painted	2

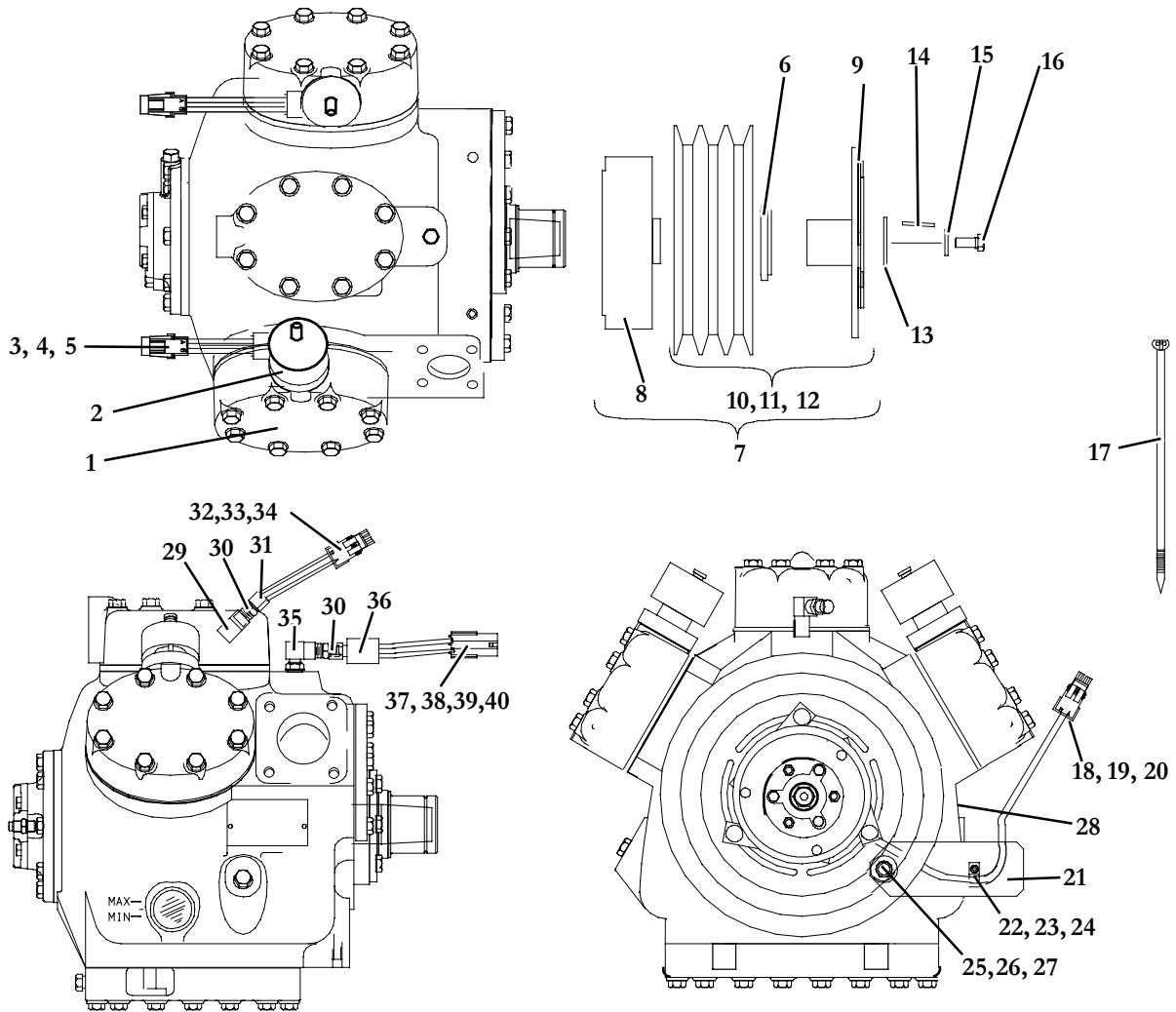


11.6 Models 68RM40-128-45			
25	AC501-148	Motor, Evaporator Fan, .75 HP, Wound Field, Includes:	2
26	54-00508-30	Brush	4
16	54-00517-20	Bearing, Shaft End	1
17	54-00122-23	Bearing, Opposite Shaft End	1
18	68RM35-117P	Bracket, Motor Mounting, Painted	2
19	68RM40-202-3P	Bracket Assembly, Painted (2 Pieces Required To Secure Each Motor To Item 18)	4
20	38-00571-01	Blower Housing (Coated), Curbside	1
	38-00571-00	Blower Housing (Coated), Roadside	1
21	42-62070-00	Insulation, Blower Housing, Roadside	1
	42-62070-01	Insulation, Blower Housing, Curbside	1
22	34-00667-61	Nut, Hex, 1/4-20, Self Locking (SST)	8
23	68-62942-00	Adapter Flange, Blower Housing, Painted	2
24	62-62038-00	Label, Rotation Arrow	2



12 COMPRESSOR INSTALLATION COMPONENTS

12.1 Compressor Installation Components - R-22 Systems - Common Parts



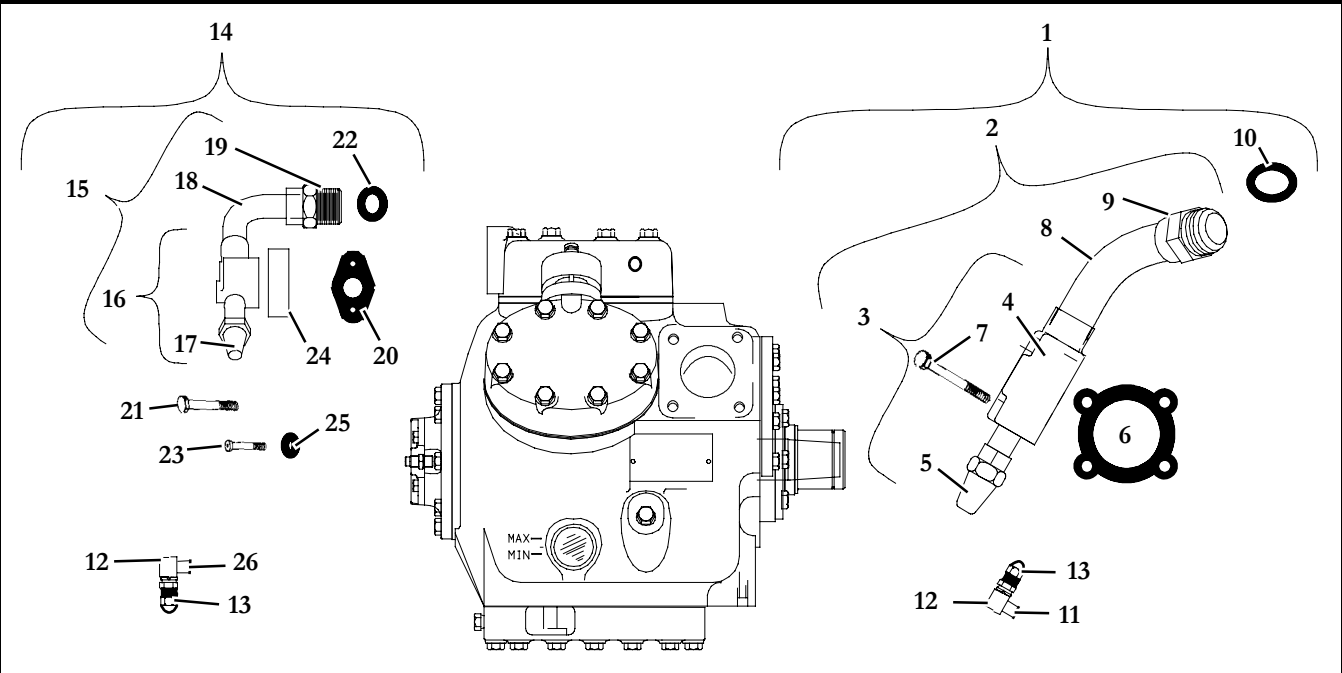
Item	Part Number	Description	Qty
1	18-00059-169	Compressor Assembly, 05G Service (Remanufactured, 37 CFM, R-22)	1
	18-00091-150	Compressor Assembly, 05G Service (New, Twin Port, 37 CFM)	
2	22-02804-02	Coil, Solenoid, Compressor Unloader, 24 VDC	2
3	22-02392-01	Connector, 2 Pin, Medium Gray	2
4	22-02393-01	Terminal, Male (18-20 AWG)	4
5	22-02394-00	Seal, Cable, Gray	4
6	34-06083-00	Nut, Lock, Clutch, Special	1
7	50-01122-02	Clutch Assembly, 24 VDC (Less Lock Nut Item 6) - Includes:	1
8	50-01122-50	Coil, Clutch, 24 VDC	1
9	NSS	Armature Assembly	1
10	50-01122-86	Rotor And Armature Assy. (3-3V Groove AT 8.48 Inch OD) - Includes:	1
11	04-00130-00	Bearing	1
12	34-01186-00	Ring, Retainer	1



12.1 Compressor Installation Components - R-22 Systems - Common Parts (Continued)			
Item	Part Number	Description	Qty
13	68G2-9082	Washer, Special, 7/16 ID	1
14	68G2-9072	Key, Crankshaft, Special	1
15	AU11AR241	Washer, Lock, 3/8 Spring	1
16	34-00613-10	Screw, Hex Head Cap, 3/8-24 x 1.25. SAE Grade 8, Zinc Plated	1
17	66U1-3882	Wire Tie, Self-locking, 7 Inches	1
18	22-02393-00	Terminal, Male (14-16 AWG)	2
19	22-02394-01	Seal, Cable, Blue	2
20	22-01585-02	Connector, Male, 2 Pin, Gray	1
21	68PD1-1202	Bracket, Clutch Wire Support	1
22	34-00373-51	Clamp, Tube, 0.25 Inch Diameter, Cushioned	1
23	34-00827-10	Screw, Machine, Slotted, #8-32 x 0.625	1
24	AT31AB101	Nut, Hex, KEPS, #8-32	1
25	17-40037-05	Screw, Hex Head Cap, 3/8-16 x 1.00 Long	1
26	AU02AB242	Washer, Plain, 3/8 SAE	1
27	34-00372-13	Washer, Lock, 3/8, External Tooth	1
28	62-03797-00	Label, Charge Only With R-22	1
29	14-01093-00	Snubber Assembly, 90 Degree, 1/4 MPT x 1/4 FPT	1
30	06DA403844	Valve Assembly, Schrader, 1/4 Male Flare	3
31	12-00299-00	Switch, Pressure, High - Includes:	1
32	22-01585-00SV	Connector, Male, 2 Pin, Black	1
33	22-02393-00	Terminal, Male (14-16 AWG)	2
34	22-02394-01	Seal, Cable, Blue	2
35	40-01166-01	Elbow, Adapter, 1/4 FPT x 7/16 UNC	1
36	12-00299-01	Switch, Pressure, Low - Includes:	1
37	22-02392-00SV	Connector Kit, 2 Pin - Includes:	1
38	NSS	Connector, Male, 2 Pin, Black	1
39	22-02393-00	Terminal, Male (14-16 AWG)	2
40	22-02394-01	Seal, Cable, Blue	2



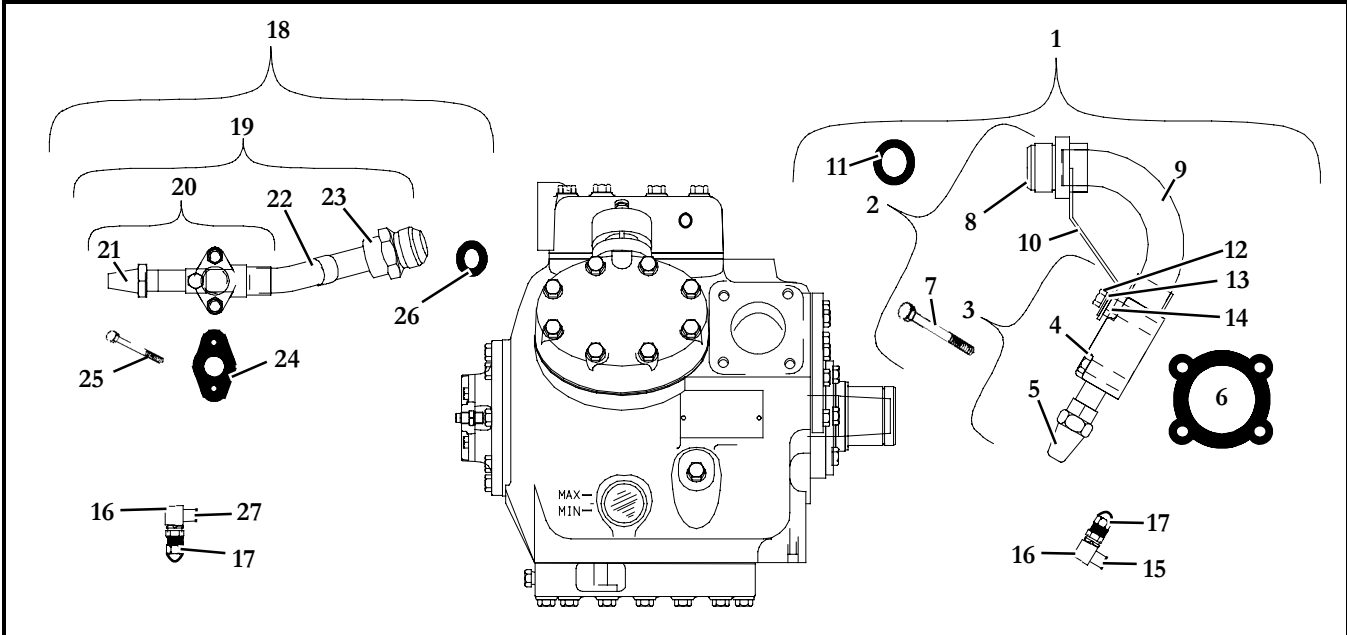
12.2 Compressor Installation Components - 68RM40- 108-40, 108-41, 108-43



Item	Part Number	Description	Qty
1	68PD2-110-30	Valve Assembly, Suction, Service - Includes:	1
2	68PD1-383-1	Valve Assembly, Suction, With Tube & Fitting - Includes:	1
3	17-40002-01	Valve Package, Suction, Service - Includes:	1
4	NSS	Valve, Suction, Service, 1-3/8 ODF - Includes:	1
5	17-10812-00	Cap, Service Valve Stem, With "O" Ring, Plastic	1
6	17-40005-05	Gasket, Suction Service Valve (Valve to Compressor)	1
7	17-13020-00	Bolt, Hex Head, 1/2 - 13 x 2.50 Inches Long, Zinc	4
8	68PD1-1182-1	Tube, Suction, Bent, 1-3/8 OD x .065W, Steel	1
9	DE07DA902	Adapter, JIC, 1-3/8 ODF x 1-5/8-12 Flare	1
10	KK71JV013	O-Ring, 1.18 ID x 0.070 Thick	2
11	40-00060-02	Elbow, Street, 1/4 FPT x 1/4 MPT (Suction)	1
12	06DA403844	Valve Assembly, Schrader, 1/4 Male Flare	2
13	40-00086-04	Cap, Nut, 1/4 FFL, Brass	2
14	68PD2-110-80	Valve Assembly, Discharge, Service - Includes:	1
15	68PD1-304	Valve Assembly, Discharge, With Tube & Fitting - Includes:	1
16	14-01042-10	Valve, Discharge, Service, 7/8 ODF - Includes:	1
17	17-10812-00	Cap, Service Valve (With NSS O-Ring Seal)	1
18	68PD1-1222	Tube, Bent, 7/8 OD x .049W Steel	1
19	DE07DA608	Adapter, 7/8 ODS x 1 Male 37 Degree JIC Flare	1
20	17-10811-05	Gasket, Discharge Service Valve (Valve to Compressor)	1
21	17-40012-00	Bolt, Hex Head, 5/16-18 x 2.00 Inches Long	2
22	KK71JV010	O-Ring, 0.86 ID x 0.070 Thick	2
23	34-00503-16	Bolt, Socket Head, 5/16-18 x 1.00 Inches Long	2
24	48-00335-00	Adapter, Discharge Valve, Brass	1
25	58-00511-21	Washer, Nylon, 0.37 ID x 0.50 OD, White	2
26	40-00060-08	Elbow, Street, 1/4 FPT X 1/8 MPT (Discharge)	1



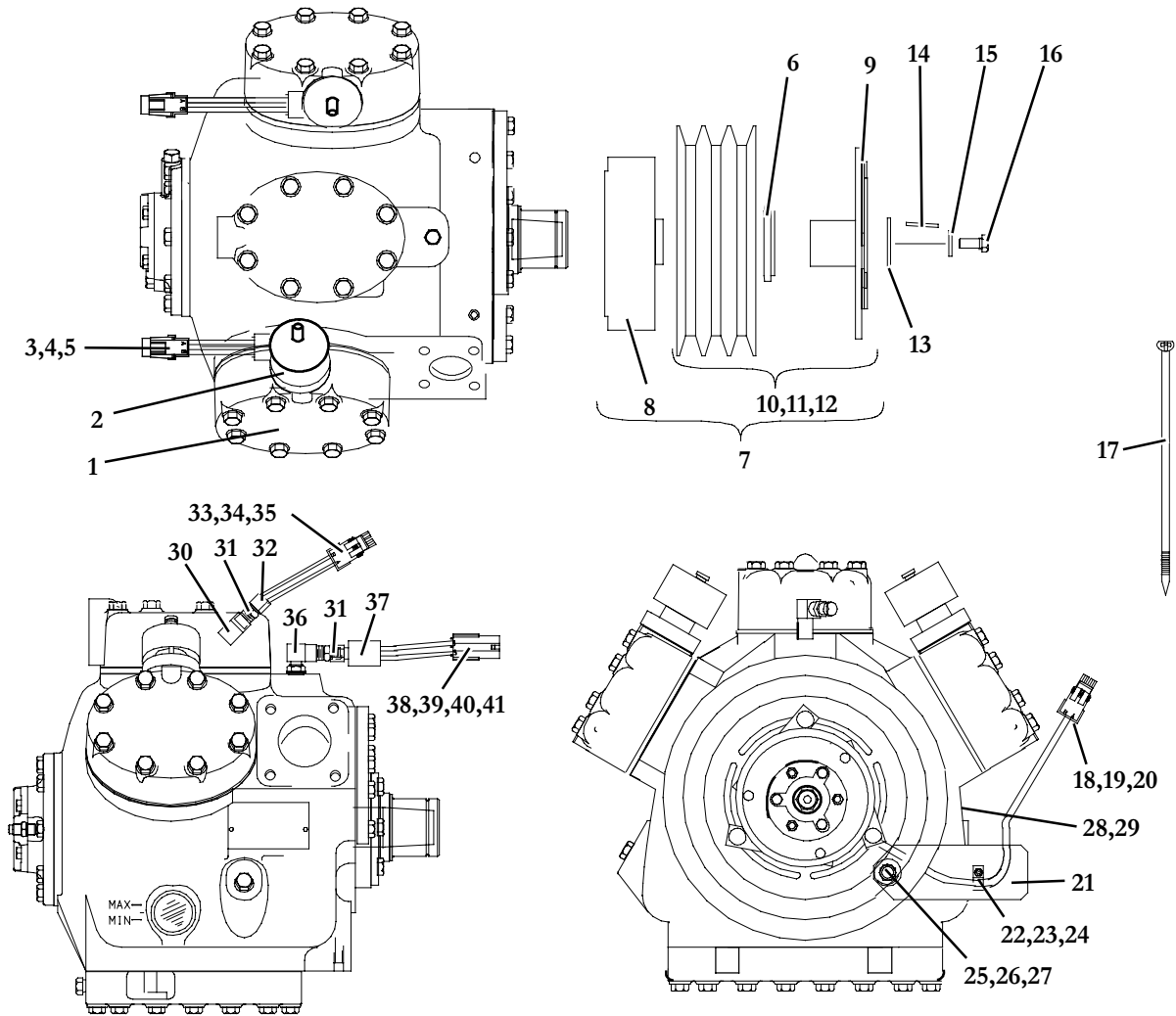
12.3 Compressor Installation Components - 68RM40- 108-40, 108-41, 108-42, 108-43, 108-44



Item	Part Number	Description	Qty
1	68PD2-110-25	Valve Assembly, Suction, Service - Includes:	1
2	68PD1-244	Valve Assembly, Suction, With Tube & Fitting - Includes:	1
3	17-40002-01	Valve Package, Suction, Service - Includes:	1
4	NSS	Valve, Suction, Service, 1-3/8 ODF - Includes:	1
5	17-10812-00	Cap, Service Valve Stem, With "O" Ring, Plastic	1
6	17-40005-05	Gasket, Suction Service Valve (Valve to Compressor)	1
7	17-13020-00	Bolt, Hex Head, 1/2 - 13 x 2.50 Inches Long, Zinc	2
8	66U1-1003-19	Adapter, JIC, 1-3/8 ODF x 1-7/8-12 Flare	1
9	68PD1-1192	Tube, Suction, Bent, 1-3/8 OD x .065W, Steel	1
10	68PD1-1064	Bracket, Adapter Support	1
11	KK71GW015	O-Ring, 0.551 ID x 0.070 Thick	2
12	AA06BZ300	Screw, Hex Head, 1/2-13 x 3.25 Inches Long, Zinc	2
13	34-00662-15	Washer, Plain, 1/2, SST	2
14	68PD1-1002-2	Spacer, 1/2 ID x 1.00 Inch Long, Steel	2
15	40-00060-02	Elbow, Street, 1/4 FPT x 1/4 MPT (Suction)	1
16	06DA403844	Valve Assembly, Schrader, 1/4 Male Flare	2
17	40-00086-04	Cap, Nut, 1/4 FFL, Brass	2
18	68PD2-110-50	Valve Assembly, Discharge, Service - Includes:	1
19	68G2-373	Valve Assembly, Discharge, With Tube & Fitting - Includes:	1
20	14-01042-10	Valve, Discharge, Service, 7/8 ODF - Includes:	1
21	17-10812-00	Cap, Service Valve (With NSS O-Ring Seal)	1
22	56-08320-00	Tube, Bent, 7/8 OD x .049W Steel	1
23	DE07DA608	Adapter, 7/8 ODS x 1 Male 37 Degree JIC Flare	1
24	17-10811-05	Gasket, Discharge Service Valve (Valve to Compressor)	1
25	17-40012-00	Bolt, Hex Head, 5/16-18 x 2.00 Inches Long	2
26	KK71JV010	O-Ring, 0.86 ID x 0.070 Thick	2
27	40-00060-08	Elbow, Street, 1/4 FPT X 1/8 MPT (Discharge)	1



12.4 Compressor Installation Components - R-134a Systems - Common Parts



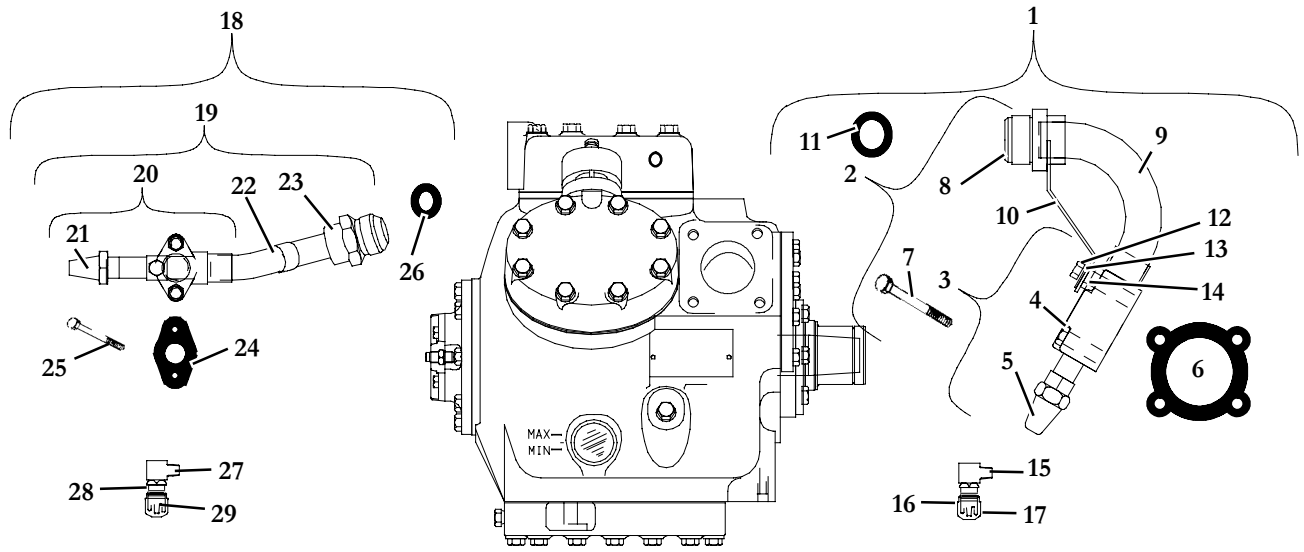
Item	Part Number	Description	Qty
1	17-44062-00	Compressor Assembly, 05G Service (Remanufactured, 41 CFM, R-134a)	1
	18-00091-160	Compressor Assembly, 05G Service (New, Twin Port, 41 CFM, R-134a)	
2	22-02804-02	Coil, Solenoid, Compressor Unloader, 24 VDC	2
3	22-02392-01	Connector, 2 Pin, Medium Gray	2
4	22-02393-01	Terminal, Male (18-20 AWG)	4
5	22-02394-00	Seal, Cable, Gray	4
6	34-06083-00	Nut, Lock, Clutch, Special	1
7	50-01122-02	Clutch Assembly, 24 VDC (Less Lock Nut Item 6) - Includes:	1
8	50-01122-50	Coil, Clutch, 24 VDC	1
9	NSS	Armature Assembly	1
10	50-01122-86	Rotor And Armature Assy. (3-3V Groove AT 8.48 Inch OD) - Includes:	1
11	04-00130-00	Bearing	1
12	34-01186-00	Ring, Retainer	1



12.4 Compressor Installation Components - R-134a Systems - Common Parts (Continued)			
Item	Part Number	Description	Qty
13	68G2-9082	Washer, Special, 7/16 ID	1
14	68G2-9072	Key, Crankshaft, Special	1
15	AU11AR241	Washer, Lock, 3/8 Spring	1
16	34-00613-10	Screw, Hex Head Cap, 3/8-24 x 1.25. SAE Grade 8, Zinc Plated	1
17	66U1-3882	Wire Tie, Self-locking, 7 Inches	1
18	22-02393-00	Terminal, Male (14-16 AWG)	2
19	22-02394-01	Seal, Cable, Blue	2
20	22-01585-02	Connector, Male, 2 Pin, Gray	1
21	68PD1-1202	Bracket, Clutch Wire Support	1
22	34-00373-51	Clamp, Tube, 0.25 Inch Diameter, Cushioned	1
23	34-00827-10	Screw, Machine, Slotted, #8-32 x 0.625	1
24	AT31AB101	Nut, Hex, KEPS, #8-32	1
25	17-40037-05	Screw, Hex Head Cap, 3/8-16 x 1.00 Long	1
26	AU02AB242	Washer, Plain, 3/8 SAE	1
27	34-00372-13	Washer, Lock, 3/8, External Tooth	1
28	62-02444-00	Label, Charge Only With R-134a	1
29	62-02913-00	Label, Poe Oil, Compressor	1
30	14-01093-00	Snubber Assembly, 90 Degree, 1/4 MPT x 1/4 FPT	1
31	06DA403844	Valve Assembly, Schrader, 1/4 Male Flare	3
32	12-00299-07	Switch, Pressure, High - Includes:	1
33	22-01585-00	Connector, Male, 2 Pin, Black	1
34	22-02393-00	Terminal, Male (14-16 AWG)	2
35	22-02394-01	Seal, Cable, Blue	2
36	40-01166-01	Elbow, Adapter, 1/4 FPT x 7/16 UNC	1
37	12-00299-01	Switch, Pressure, Low - Includes:	1
38	22-02392-00SV	Connector Kit, 2 Pin - Includes:	1
39	NSS	Connector, Male, 2 Pin, Black	1
40	22-02393-00	Terminal, Male (14-16 AWG)	2
41	22-02394-01	Seal, Cable, Blue	2



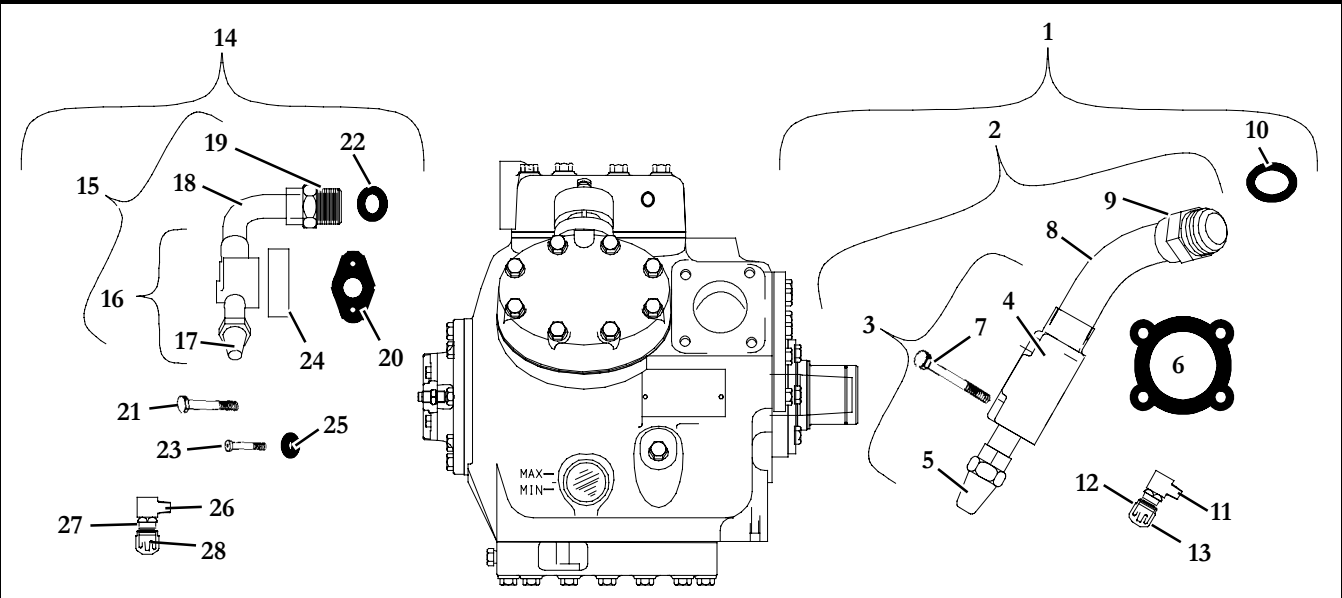
12.5 Compressor Installation Components - 68RM40- 128-40, 128-41, 128-43, 128-44, 128-44, 128-45



Item	Part Number	Description	Qty
1	68PD2-110-25	Valve Assembly, Suction, Service - Includes:	1
2	68PD1-244	Valve Assembly, Suction, With Tube & Fitting - Includes:	1
3	17-40002-01	Valve Package, Suction, Service - Includes:	1
4	NSS	Valve, Suction, Service, 1-3/8 ODF - Includes:	1
5	17-10812-00	Cap, Service Valve Stem, With "O" Ring, Plastic	1
6	17-40005-05	Gasket, Suction Service Valve (Valve to Compressor)	1
7	17-13020-00	Bolt, Hex Head, 1/2 - 13 x 2.50 Inches Long, Zinc	2
8	66U1-1003-19	Adapter, JIC, 1-3/8 ODF x 1-7/8-12 Flare	1
9	68PD1-1192	Tube, Suction, Bent, 1-3/8 OD x .065W, Steel	1
10	68PD1-1064	Bracket, Adapter Support	1
11	KK71GW015	O-Ring, 1.31 ID x 0.094 Thick	2
12	AA06BZ300	Bolt, Hex Head, 1/2-13 x 3.25 Inches Long, Zinc	2
13	34-00662-15	Washer, Plain, 1/2, SST	2
14	68PD1-1002-2	Spacer, 1/2 ID x 1.00 Inch Long, Steel	2
15	40-00524-00	Elbow, 1/4 NPT x M13, Low Pressure Side	1
16	40-00520-00	Coupling, Service Port, M13, R-134a - Includes:	1
17	40-00520-02	Cap, Service Port	1
18	68PD2-110-50	Valve Assembly, Discharge, Service - Includes:	1
19	68G2-373	Valve Assembly, Discharge, With Tube & Fitting - Includes:	1
20	14-01042-10	Valve, Discharge, Service, 7/8 ODF - Includes:	1
21	17-10812-00	Cap, Service Valve (With NSS O-Ring Seal)	1
22	56-08320-00	Tube, Bent, 7/8 OD x .049W Steel	1
23	DE07DA608	Adapter, 7/8 ODS x 1 Male 37 Degree JIC Flare	1
24	17-10811-05	Gasket, Discharge Service Valve (Valve to Compressor)	1
25	17-40012-00	Bolt, Hex Head, 5/16-18 x 2.00 Inches Long	2
26	KK71JV010	O-Ring, 0.86 ID x 0.070 Thick	2
27	40-00524-01	Elbow, 1/8 NPT x M15, High Pressure Side	1
28	40-00520-01	Coupling, Service Port, M15, R-134a - Includes:	1
29	40-00520-03	Cap, Service Port	1



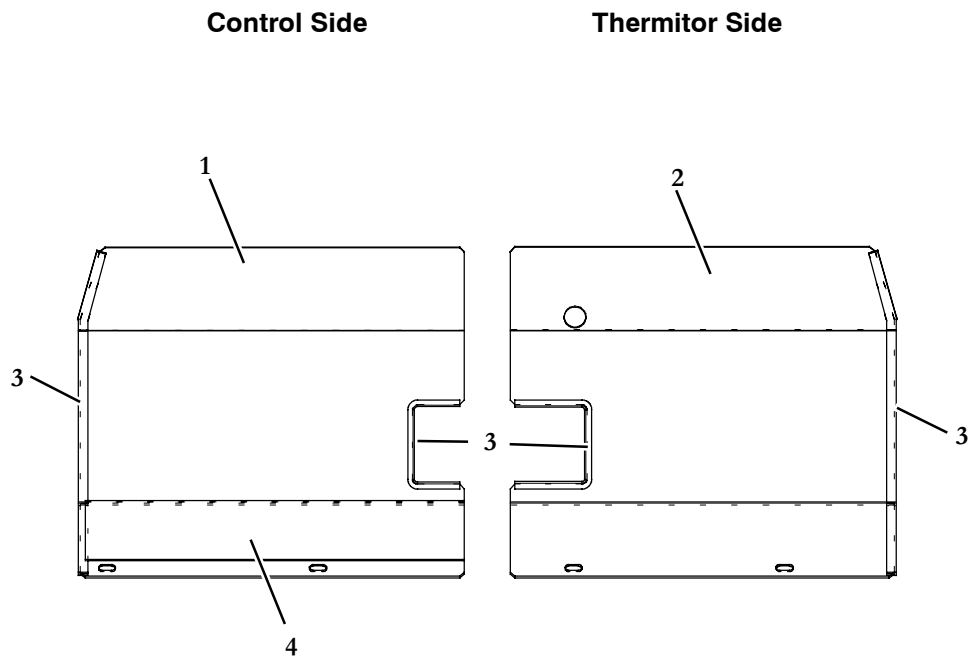
12.6 Compressor Installation Components - 68RM40- 128-42



Item	Part Number	Description	Qty
1	68PD2-110-33	Valve Assembly, Suction, Service - Includes:	1
2	68PD1-383-2	Valve Assembly, Suction, With Tube & Fitting - Includes:	1
3	17-40002-01	Valve Package, Suction, Service - Includes:	1
4	NSS	Valve, Suction, Service, 1-3/8 ODF - Includes:	1
5	17-10812-00	Cap, Service Valve Stem, With "O" Ring, Plastic	1
6	17-40005-05	Gasket, Suction Service Valve (Valve to Compressor)	1
7	17-13020-00	Bolt, Hex Head, 1/2 - 13 x 2.50 Inches Long, Zinc	4
8	68PD1-1182-1	Tube, Suction, Bent, 1-3/8 OD x .065W, Steel	1
9	66U1-1003-19	Adapter, JIC, 1-3/8 ODF x 1-7/8-12 Flare	1
10	KK71GW015	O-Ring, 1.31 ID x 0.094 Thick	2
11	40-00524-00	Elbow, 1/4 NPT x M13, Low Pressure Side	1
12	40-00520-00	Coupling, Service Port, M13, R-134a - Includes:	1
13	40-00520-02	Cap, Service Port	1
14	68PD2-110-80	Valve Assembly, Discharge, Service - Includes:	1
15	68PD1-304	Valve Assembly, Discharge, With Tube & Fitting - Includes:	1
16	14-01042-10	Valve, Discharge, Service, 7/8 ODF - Includes:	1
17	17-10812-00	Cap, Service Valve (With NSS O-Ring Seal)	1
18	68PD1-1222	Tube, Bent, 7/8 OD x .049W Steel	1
19	DE07DA608	Adapter, 7/8 ODS x 1 Male 37 Degree JIC Flare	1
20	17-10811-05	Gasket, Discharge Service Valve (Valve to Compressor)	1
21	17-40012-00	Bolt, Hex Head, 5/16-18 x 2.00 Inches Long	2
22	KK71JV010	O-Ring, 0.86 ID x 0.070 Thick	2
23	34-00503-16	Bolt, Socket Head, 5/16-18 x 1.00 Inches Long	2
24	48-00335-00	Adapter, Discharge Valve, Brass	1
25	58-00511-21	Washer, Nylon, 0.37 ID x 0.50 OD, White	2
26	40-00524-01	Elbow, 1/8 NPT x M15, High Pressure Side	1
27	40-00520-01	Coupling, Service Port, M15, R-134a - Includes:	1
28	40-00520-03	Cap, Service Port	1



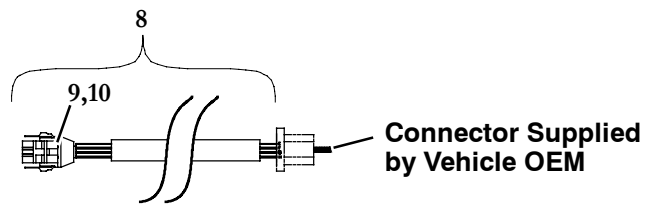
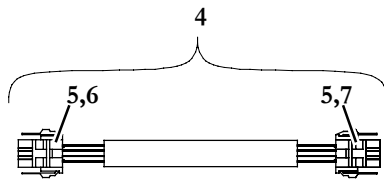
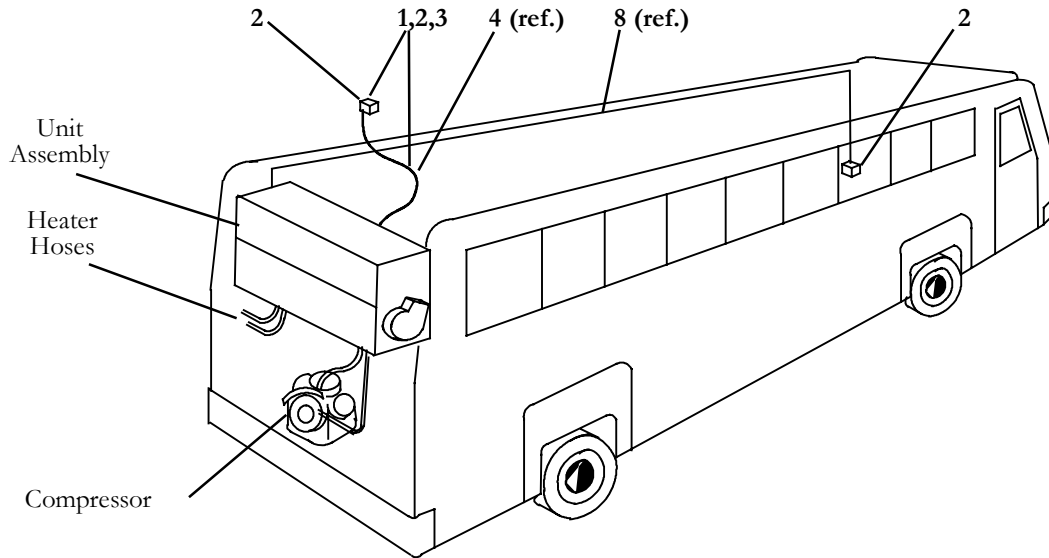
13 DUST COVER (68RM40-128-44 Only)



Item	Part Number	Description	Qty
1	68-08007-00	Panel, Dust Cover, Control Side, Painted	1
2	68-08008-00	Panel, Dust Cover, Thermostat Side, Painted	1
3	42-00183-31	Trim, Flexible, Fine Pebble, Black (25 Feet Roll)	1
4	42-01229-03	Insulation, Dust Cover, Foam, Adhesive Backed	1



14 MICROMATE CONTROL PANEL



Item	Part Number	Description	Qty
1	CM090-226	Kit, Microprocessor Diagnostic Service Tool With Harness - Includes:	1
2	12-00391-03	Module, Drivers Display (Micromate Control Panel)	1
3	CM201-968	Harness, Display Module, 70 Inches (One End Uses Deutsch Connector)	1
4	22-62032-00	Harness, Display Module, 35 Inches (Used With Micromate As A Diagnostic Tool, Connects To J2 Port On Controller Logic Module) - Includes:	1
5	22-62026-00	Connector, 6 Position, Red (MCP)	1
6	22-50145-00	Connector, 4 Position(J2)	1
7	22-50152-00	Terminal, Female Receptacle (16-26 AWG)	8
8	22-62062-00	Harness, A/C Control, 58 Feet Long (Installed By Vehicle Manufacturer) - Includes:	1
9	22-62026-00	Connector, 6 Position, RED (MCP)	1
10	22-50152-00	Terminal, Female Receptacle (16-26 AWG)	4



INDEX

PART # PAGE #

0

02-00010-01 29, 34
 04-00130-00 44, 48
 06DA403844 45, 46, 47, 49
 08-62007-00 27
 08-62030-00 27
 08-62032-00 27

1

10-00247-03 12, 14, 16, 18, 20, 22, 24
 10-00247-05 12, 14, 17, 18, 20, 22, 25
 10-00286-09 15, 17, 19, 23, 25
 10-00286-11 13, 15, 17, 19, 21, 23, 25
 10-00286-12 13, 15, 17, 19, 21, 23, 25
 10-00300-00 21
 10-00300-02 12, 14, 16, 18, 22, 24
 10-00301-00 20
 10-00307-01 12, 25
 10-00309-00 17
 10-00314-00 17
 12-00299-00 45
 12-00299-01 45, 49
 12-00299-07 49
 12-00305-04 5, 7, 9, 11
 12-00352-00 3
 12-00371-01 13, 15, 17, 19, 21, 23, 25
 12-00391-03 13, 16, 19, 23, 25, 53
 12-00392-11 13, 15, 17, 19, 21, 23, 25
 12-01124-02 36
 12-01125-02 36
 14-00111-00 29, 33
 14-00236-00 31, 38
 14-00236-50 31, 38
 14-00236-51 31, 38

PART # PAGE #

14-00281-04 30, 31, 33
 14-00320-00 29, 33
 14-01032-01 29, 33
 14-01042-10 46, 47, 50, 51
 14-01093-00 45, 49
 14-01104-35 33
 14-01104-52 30, 31
 14-01110-02 39
 14-50036-00 39
 14-50050-01 30, 31, 33
 14-50051-00 30, 31, 33
 14-50093-00 30, 31, 33
 16-03301-00 30, 31, 33
 17-10811-05 46, 47, 50, 51
 17-10812-00 46, 47, 50, 51
 17-13020-00 46, 47, 50, 51
 17-40002-01 46, 47, 50, 51
 17-40005-05 46, 47, 50, 51
 17-40012-00 46, 47, 50, 51
 17-40037-05 45, 49
 17-44062-00 48
 18-00059-169 44
 18-00091-150 44
 18-00091-160 48

2

22-01173-13 4, 7, 9, 11
 22-01563-05 15, 17, 19, 23, 25
 22-01565-00 4, 7, 9, 11
 22-01565-01 4, 7, 9, 11
 22-01566-01 39
 22-01584-00 10
 22-01585-00 39, 49
 22-01585-00SV 4, 6, 8, 10, 45
 22-01585-02 4, 6, 8, 11, 45, 49



INDEX

PART #	PAGE #	PART #	PAGE #
22-01594-00	13, 15, 17, 19, 21, 23, 25	34-00373-03	13, 15, 17, 19, 21, 23, 25
22-01612-00	15, 17, 19, 23, 25	34-00373-11	4, 6, 8, 11
22-02302-02	4, 6, 8, 10	34-00373-51	45, 49
22-02336-06	13, 15, 17, 19, 21, 23, 25	34-00373-53	5, 6, 8, 11
22-02392-00	45, 49	34-00503-16	46, 51
22-02392-00SV	3, 4, 6, 8, 10, 45, 49	34-00613-10	45, 49
22-02392-01	4, 6, 8, 11, 44, 48	34-00655-04	12, 14, 16, 18, 21, 22, 24
22-02393-00	45, 49	34-00655-06	2, 5, 6, 9, 10, 12, 20, 27, 29, 33, 39
22-02393-01	3, 4, 5, 6, 7, 8, 9, 10, 11, 44, 48	34-00655-08	13, 15, 17, 19, 21, 23, 25
22-02394-00	5, 7, 9, 11, 44, 48	34-00655-12	36
22-02394-01	3, 4, 6, 8, 10, 39, 45, 49	34-00662-08	13, 15, 17, 19, 20, 23, 25
22-02448-00SV	3	34-00662-09	10, 13, 15, 16, 18, 20, 22, 24
22-02804-02	44, 48	34-00662-11	2, 4, 7, 9, 10, 12, 14, 16, 18, 20, 22, 24, 27, 29, 33, 39
22-50078-09A	4, 7, 9, 11	34-00662-12	29, 33, 40, 41
22-50078-76B	3	34-00662-13	28, 32
22-50145-00	17, 19, 23	34-00662-14	39
22-50152-00	17, 19, 23	34-00662-15	47, 50
22-50236-00	13, 15, 17, 19, 21, 23, 25	34-00663-08	13, 15, 17, 19, 21, 23, 25, 31, 38
22-62026-00	17, 19, 23	34-00663-09	19, 20, 40
22-62032-00	53	34-00663-11	2, 5, 6, 9, 10, 12, 14, 16, 18, 20, 22, 24, 27, 29, 33, 39, 41
22-62062-00	53	34-00663-12	29, 33, 40, 41
22-62063-00	17, 19, 23	34-00663-13	29, 32
22-62067-00	13	34-00665-14	39
22-62106-00	15, 17, 19, 23, 25	34-00666-11	5, 7, 9, 11, 29, 34, 41
22-62107-00	15, 19, 23	34-00667-07	13, 16, 19, 20, 23
22-62108-00	15, 19, 23	34-00667-09	10, 13, 14, 16, 18, 20, 22, 24
22-62134-00	17, 25	34-00667-11	36, 42
22-62135-00	25	34-00667-61	43
22-62144-00	17	34-00672-00	40, 41
		34-00792-08	29, 33, 40, 41
		34-00799-04	33
		34-00827-10	45, 49
34-00360-09	13, 15, 17, 19, 23, 25		
34-00372-12	45, 49		



INDEX

PART #	PAGE #	PART #	PAGE #
34-00829-11 41	40-00501-50 29, 30, 31, 33, 36, 38
34-00852-08 36	40-00503-03 29, 36, 38
34-00855-04 28, 32	40-00503-04 29, 33
34-01186-00 44, 48	40-00520-00 50, 51
34-01268-01 4, 7, 8, 11	40-00520-01 50, 51
34-06083-00 44, 48	40-00520-02 50, 51
34-06121-03 29, 36, 38	40-00520-03 50, 51
34-06121-04 29, 33	40-00524-00 50, 51
34-06264-03 31, 38	40-00524-01 50, 51
34-50039-00 26	40-01124-00 36
34-50040-00 14, 16, 18, 22, 24	40-01166-01 45, 49
34-50048-00 13, 20	42-00032-05 29, 34
34-60000-00 13, 15, 17, 19, 21, 23, 25	42-00183-31 52
34-62011-00 8, 27, 39	42-00221-02 26
38-00119-02 2	42-00221-03 26
38-00128-00 40	42-00221-05 3
38-00512-00 41	42-00229-00 3
38-00512-01 41	42-00243-03 29, 33
38-00518-00 2	42-00243-11 29, 33
38-00547-04 2	42-62005-00 13, 15, 17, 19, 23, 25
38-00571-00 42, 43	42-62070-00 42, 43
38-00571-01 42, 43	42-62070-01 42, 43
 4			
40-00060-02 46, 47	44-00045-03 29, 34
40-00060-08 46, 47	44-00318-00 39
40-00071-39 31, 38	44-00337-10 31, 38
40-00086-04 3, 46, 47	48-00335-00 46, 51
40-00501-05 33	 5	
40-00501-06 29	50-00122-02 44, 48
40-00501-07 33	50-00122-50 44, 48
40-00501-08 30, 31	50-00122-86 44, 48
40-00501-09 38	54-00122-06 40
40-00501-10 29, 36	54-00122-23 40, 41, 42, 43
		54-00508-20 40, 42



INDEX

PART #	PAGE #
54-00508-21	40
54-00508-30	40, 41, 43
54-00517-20	40, 41, 43
54-00526-00	40
54-00529-01	40
54-00599-00	42
54-50067-00	42
54-50067-31	42
56-03848-00	29, 33
56-03850-00	39
56-03851-00	30, 31, 33
56-03852-00	29, 36, 38
56-03853-00	29, 33
56-03858-00	34
56-03859-00	36, 38
56-03860-00	29
56-03861-00	38
56-03863-00	38
56-03864-00	29, 38
56-08320-00	47, 50
56-62008-00	38
56-62012-00	31, 38
56-62072-00	31
56-62073-00	31
58-00065-88	32
58-00511-08	13, 15, 17, 19, 21, 23, 25
58-00511-21	46, 51
58-00848-33	4, 6, 8, 11
58-00850-20	15, 17
58-00858-33	3, 4, 6, 8, 10
58-04113-00	2
58-04114-00	2
58-04115-00	2

PART #	PAGE #
6	
62-02444-00	49
62-02913-00	49
62-03797-00	45
62-62000-00	21
62-62001-00	3
62-62007-00	18, 22
62-62020-00	3
62-62038-00	43
65-01035-01	29, 33
66CH1-1212-8	39
66U1-1003-19	29, 36, 38, 47, 50, 51
66U1-1214-5	33
66U1-1224-28	31
66U1-3882	5, 6, 8, 10, 45, 49
66U1-5321-8	40
66U1-5371	13, 15, 17, 19, 21, 23, 25
66U1-5371-10	13, 15, 16, 18, 20, 22, 24
66U1-5371-5	15, 17, 19, 23, 25
66U1-5371-6	10, 40
66U1-5371-7	13, 15, 17, 19, 21, 23, 25
66U1-6811-5	3
66U1-6821	3
66U1-9122	8, 10, 26, 29, 33
68-08007-00	52
68-08008-00	52
68-62048-00	38
68-62069-00	31, 38
68-62124-00	17, 18, 22, 25
68-62125-00	16, 19, 23
68-62137-00	5, 7, 9
68-62781-00	12, 14, 16, 18, 22, 24
68-62942-00	42, 43
68-63021-00	19
68G2-373	47, 50



INDEX

PART #	PAGE #
68G2-9072	45, 49
68G2-9082	45, 49
68PD1-1002-2	47, 50
68PD1-1064	47, 50
68PD1-1182-1	46, 51
68PD1-1192	47, 50
68PD1-1202	45, 49
68PD1-1222	46, 51
68PD1-244	47, 50
68PD1-304	46, 51
68PD1-383-1	46, 51
68PD2-110-25	47, 50
68PD2-110-30	46
68PD2-110-33	51
68PD2-110-50	47, 50
68PD2-110-80	46, 51
68RM35-107P	42
68RM35-1106P	41
68RM35-117P	41, 43
68RM35-267	5, 7, 9, 11
68RM35-433P	40
68RM40-1026P	39
68RM40-106-1	30, 31, 33
68RM40-1063P	40
68RM40-1076P	29, 33
68RM40-1078P	2, 27
68RM40-1097	36
68RM40-1098P	3
68RM40-1108P	3
68RM40-1137	39
68RM40-1143-1	29, 36, 38
68RM40-116	33
68RM40-1176P	26
68RM40-1197	41, 42

PART #	PAGE #
68RM40-1197-1	41, 42
68RM40-1206P	29, 33
68RM40-1207	39
68RM40-1223P	40
68RM40-1237	39
68RM40-1258	3
68RM40-126	29, 36
68RM40-1266	34
68RM40-1267	41
68RM40-1268	3
68RM40-1276	29, 33
68RM40-1326	21
68RM40-1356P	13, 20
68RM40-1359P	13
68RM40-138	36
68RM40-1398	36
68RM40-1508	36
68RM40-1518	30
68RM40-153	26
68RM40-1538	30
68RM40-157	13, 15, 17, 19, 23, 25
68RM40-1668	36
68RM40-1678P	20
68RM40-167P	20
68RM40-1688	20
68RM40-1718	21
68RM40-1718-1	13
68RM40-202-2P	42
68RM40-202-3P	41, 43
68RM40-283	2
68RM40-283-1	2
68RM40-388P	12, 14, 16, 18, 22, 24
68RM40-408P	15
68RM40-448	39
68RM40-548	41, 42



INDEX

PART #	PAGE #
68RM40-548-1	41, 42
68RM40-608	39
68RM40-628P	26
68RM40-708	33
68RM40-718	29, 33
68RM40-758	36
68RM40-768	38
68RM40-768-1	36
68RM40-888	29
68RM40-908	36
68RM40-908-1	36
68RM40-988	29
68RM40-998	38
68RM50-1016P	2
68RM55-1076	41
68RM55-1076P	29
68RM55-1136P	13, 15, 17, 19, 21, 23, 25
68RM55-1142P	41
68RM55-1160	14, 17, 19, 23, 25
68RM55-209-1	4, 6, 8, 11
68RM55-210-1	4, 7, 9, 11
68RT10-1452	40
68RT10-1482-2P . . .	26
68RT10-1492P	26
68RT10-1502P	26

7

73-50006-00	30, 31, 33
-----------------------	------------

8

81-62036-00	38
81-62037-00	30, 31
81-62097-00	31
86-62109-00	29, 33

PART #	PAGE #
9	
99TS1040CK002000	29, 36, 38
99TS1445CK002000	30, 31, 33

A

AA06BZ300	47, 50
AC093-151P	26
AC093-172P	36
AC101-614	27, 39
AC101-623	27
AC101-623-1	27
AC101-625	27
AC101-900	33
AC201-202	10
AC201-209	13
AC201-244	13
AC201-600	13
AC201-901	20
AC201-931	20
AC301-244	39
AC301-697	36
AC302-438	36
AC501-148	41, 43
AC501-152	42
AC701-408	5, 6
AC801-314	4, 9, 11
AC801-319	3, 5, 6, 8, 10, 39
AC801-345	2
AC801-460	2
AC801-604	17
AC901-526	3
AC901-535	3
AC901-538	3
AC901-589-1	12
AC901-589-11	12, 16, 24



INDEX

PART #	PAGE #
AC901-589-12	12, 14, 16, 18, 20, 22, 24
AC901-589-13	13, 15, 17, 19, 23, 25
AC901-589-14	12, 14, 16, 19, 23, 24
AC901-589-15	12, 16, 24
AC901-589-16	12, 14, 16, 18, 20, 22, 24
AC901-589-17	12, 14, 17, 19, 23, 24
AC901-589-25	12, 14, 16, 18, 22, 24
AC901-589-29	14, 16, 18, 22
AC901-589-30	14, 16, 18, 22
AC901-589-31	12, 14, 16, 18, 22, 25
AC901-589-32	13, 14, 17, 18, 22, 25
AC901-589-33	12, 24
AC901-589-34	12, 25
AC901-589-35	13, 14, 17, 19, 23, 24
AC901-591	36
AC901-592	36
AC902-503-13	15, 17, 19, 23, 24
AC902-503-6	13, 15, 17, 19, 21, 23, 25

PART #	PAGE #
AC902-503-9	21
AC902-506	41, 42
AT31AB101	45, 49
AU02AB242	45, 49
AU11AR241	45, 49

C

CM090-226	53
CM201-968	53

D

DE07DA608	30, 31, 33, 46, 47, 50, 51
DE07DA902	46

K

KK71GW015	29, 33, 47, 50, 51
KK71JV010	29, 33, 46, 47, 50, 51
KK71JV013	46

Every driver deserves the best possible vehicle climate with MCC products

MCC provides exceptional performance in mobile climate comfort.



www.mcc-hvac.com

Member of MCC Group • Certified ISO 9001 and ISO 14001.
Specifications subject to change without notice. MCC is a registered trademark.