



**Mobile Climate Control**

T-295PL Manual



## **SERVICE PARTS LIST** **for**

**MODEL GR-60 (N.A.O.)**  
Rooftop Air Conditioning Unit

**T-295PL**

REV. 06/2012

# TABLE OF CONTENTS

| <b>PARAGRAPH NUMBER</b>                       | <b>Page</b> |
|---|-------------|
| INTRODUCTION .....                            | i           |
| MODEL CHART .....                             | li          |
| ORDERING INSTRUCTIONS .....                   | li          |
| GENERAL NOTES .....                           | li          |
| 1 UNIT LOCATION SECTION .....                 | 1           |
| 2 EVAPORATOR AND CONDENSER TOP COVER .....    | 2           |
| 3 CONDENSER COIL .....                        | 3           |
| 4 EVAPORATOR COIL .....                       | 4           |
| 5 BASE ASSEMBLY .....                         | 6           |
| 6 EVAPORATOR MOTORS .....                     | 8           |
| 7 CONDENSER MOTORS .....                      | 9           |
| 8 MOTOR HARNESES .....                        | 10          |
| 9 CONTROL PANEL ASSEMBLY .....                | 12          |
| 10 CONTROL HARNESES .....                     | 13          |
| 10.1 Temperature Sensor .....                 | 13          |
| 10.2 Solenoid/Air Heating Harness .....       | 13          |
| 10.3 Service Port Harness .....               | 14          |
| 10.4 Compressor Clutch/Unloader Harness ..... | 14          |
| 10.5 Compressor Main Harness .....            | 15          |
| 11 COMPRESSOR .....                           | 16          |
| 12 INSTALLATION COMPONENTS .....              | 18          |
| PART NUMBER INDEX .....                       | Index-1     |



**INTRODUCTION**

This parts list identifies service replacement parts for Mobile Climate Control Rooftop Bus Air Conditioning and Heating systems found in the Model Chart. This parts list also contains parts required to modify the standard O5G compressor to these applications.

**MODEL CHART**

| <b>Model Number</b> | <b>Part Number</b> | <b>Motor</b>       | <b>Refrigerant</b> | <b>Controller</b> |
|---------------------|--------------------|--------------------|--------------------|-------------------|
| GR-60               | CM200-096          | Permanent Magnet   | R-134a             | Micromax          |
| GR-60               | CM200-128          | Brushless (Rotron) | R-134a             | Micromax          |

**ORDERING INSTRUCTIONS**

All orders and inquiries for parts must include: Unit Serial Number, Part no., description of part as shown on list and quantity required. Replacement parts can be obtained by going to the following website:

[www.mcc-hvac.com](http://www.mcc-hvac.com)

**GENERAL NOTES**

To find replacement parts, determine major group in which replacement part is located, consult table of contents for the appropriate page for the illustrated breakdown of the replacement part. The following letter designations are used to classify parts throughout this list.

A/R *As Required*

N/A *Part Not Available* -No replacement

NSA *Non-Stock Assembly* - order components listed under the assembly.

NSS *Not Sold Separately* - order next higher assembly or kit.

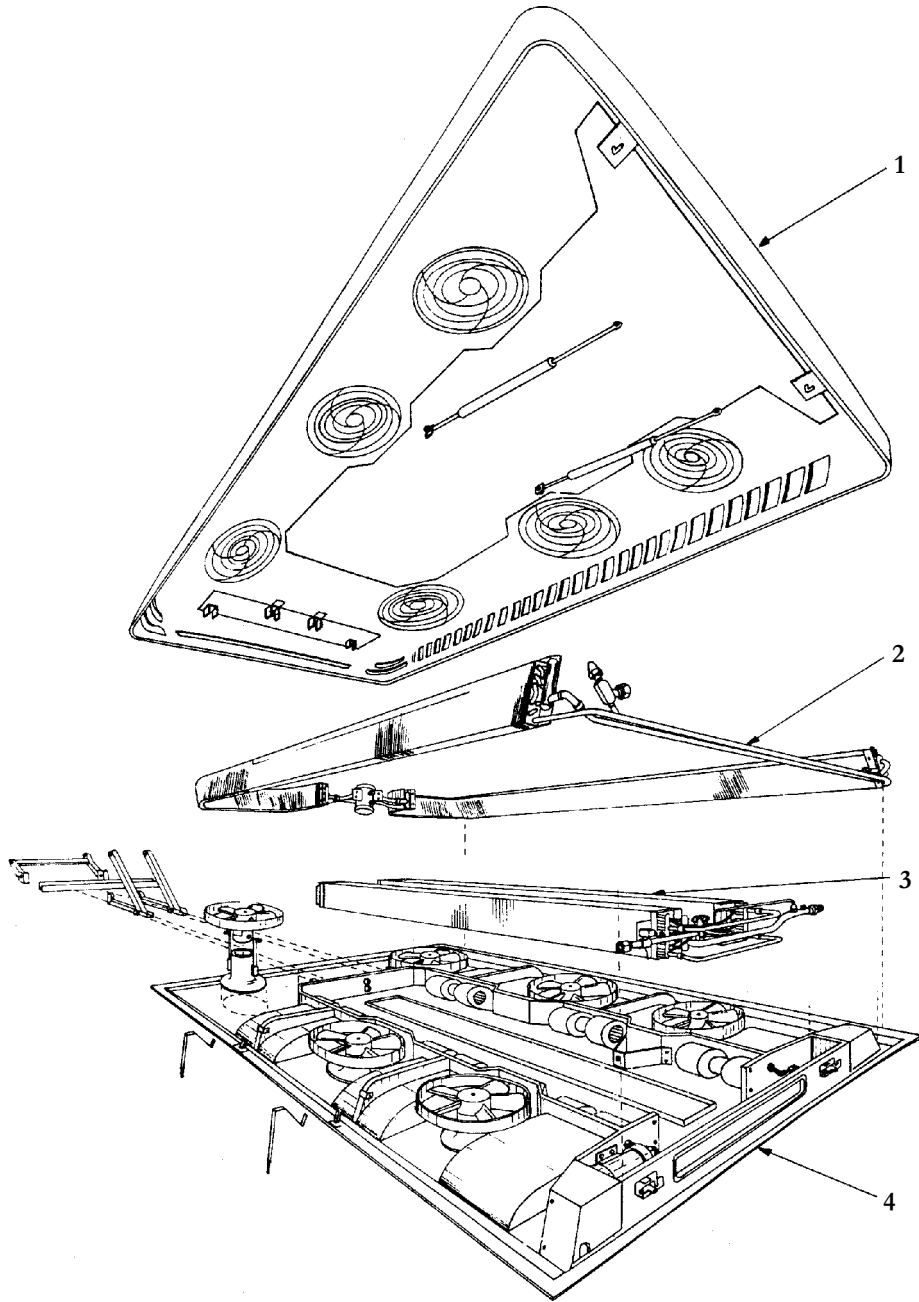
P *Painted*

SST *Stainless Steel* - 300 Series unless otherwise specified.

SV Suffix SV added to part number designates service replacement part.



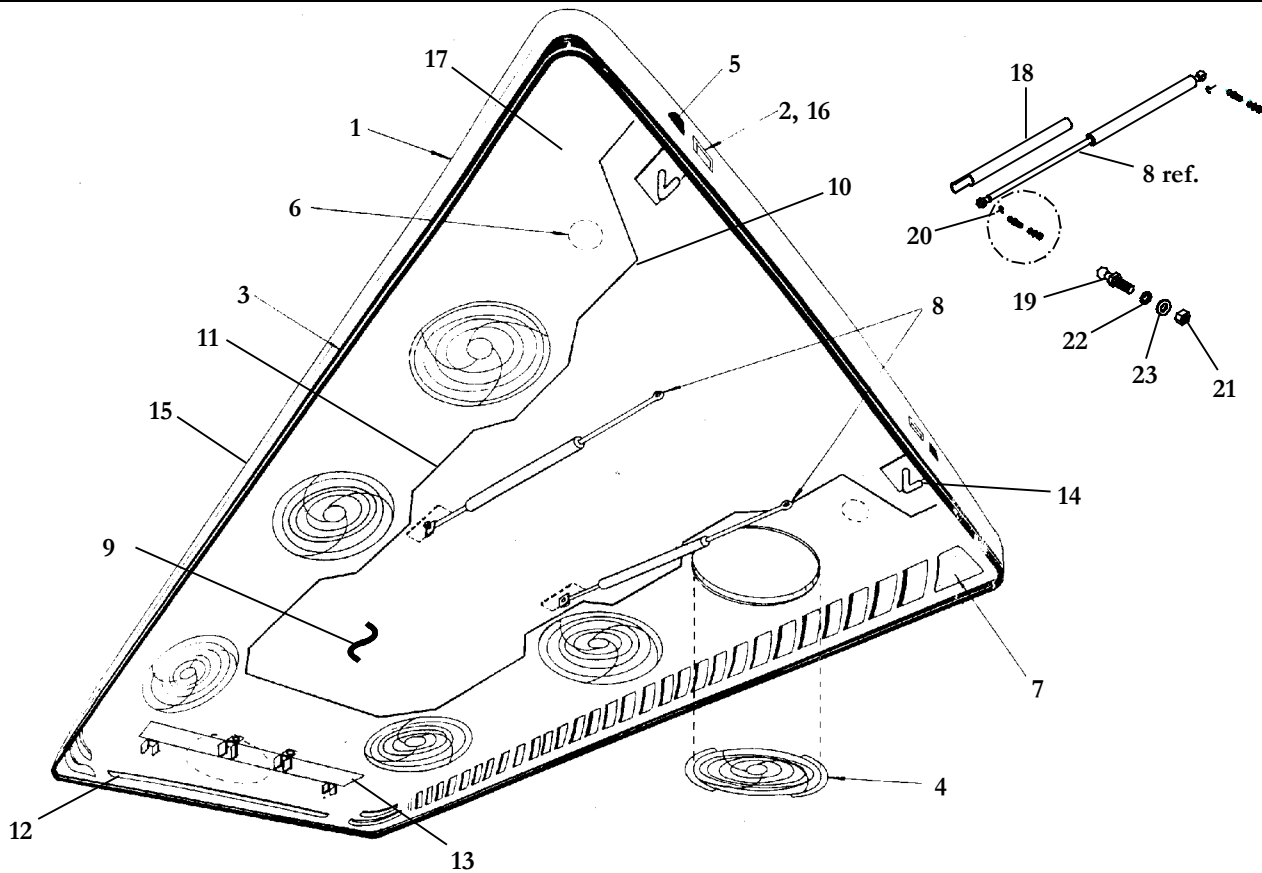
1 UNIT LOCATION SECTION



| Item | Part Number | Description  | Qty |
|------|-------------|--|-----|
| 1    | -           | Evaporator and Condenser Top Cover (See Section 2) | -   |
| 2    | -           | Condenser Coil (See Section 3)                     | -   |
| 3    | -           | Evaporator Coil (See Section 4)                    | -   |
| 4    | -           | Base (See Section 5)                               | -   |



**2 EVAPORATOR AND CONDENSER TOP COVER**



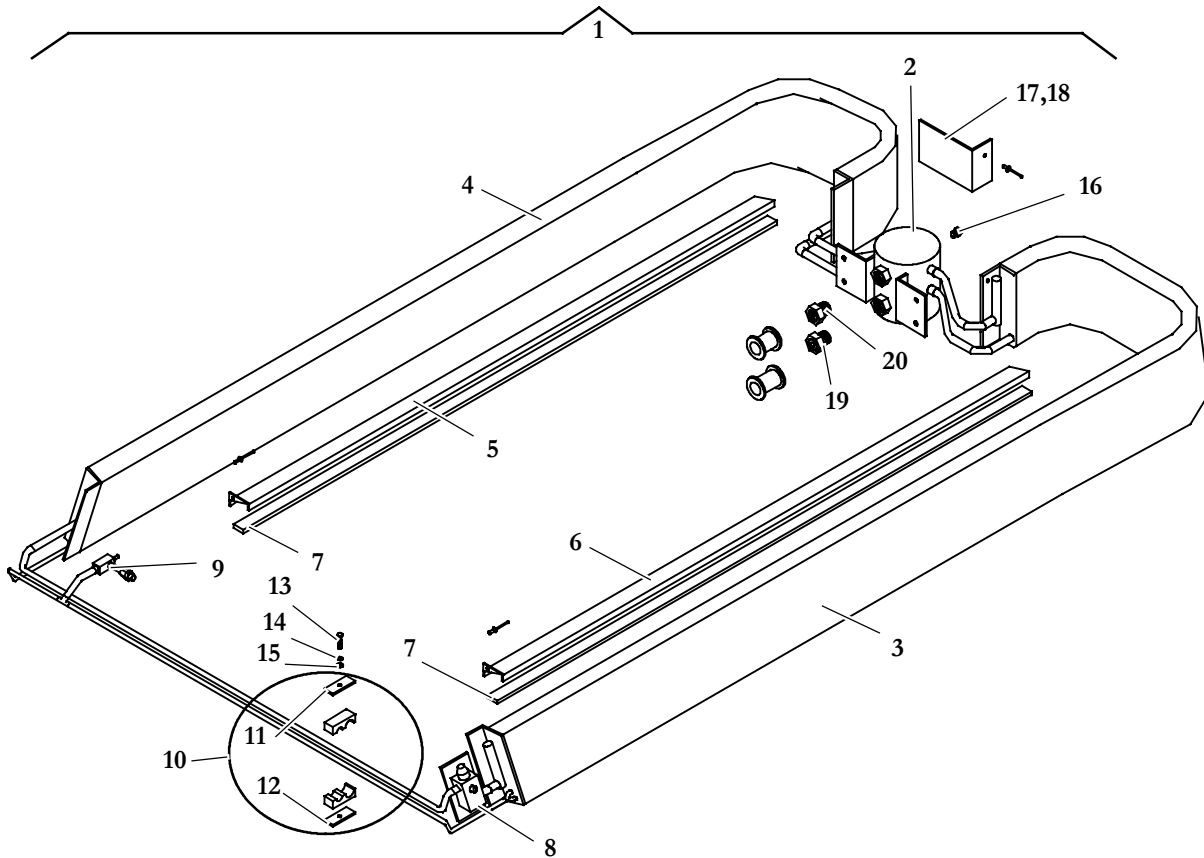
| Item | Part Number | Description  | Qty |
|------|-------------|--|-----|
| 1    | <b>NSA</b>  | Evaporator/Condenser Cover Assembly – Includes:    | 1   |
| 2    | CM205-126   | Handle, Pocket Pull                                | 2   |
| 3    | 58-64000-00 | Gasket, Rubber Type “L”                            | 1   |
| 4    | CM203-826   | Grille, Condenser Fan                              | 6   |
| 5    | CM203-828   | Label, <b>Open Cover</b>                           | 2   |
| 6    | CM203-901   | Label, <b>No Step</b>                              | 4   |
| 7    | CM203-827   | Label, Side, <b>Apex</b> (2 Pieces)                | 1   |
| 8    | AC701-914   | Spring, Gas, 40 Pound Force                        | 2   |
| 9    | 42-64002-00 | Insulation, Thermal And Noise                      | 1   |
| 10   | 42-64004-01 | Seal, Rear, Evaporator                             | 1   |
| 11   | 42-64010-00 | Seal, Evaporator Cover                             | 2   |
| 12   | CM288-849   | Angle, Support, Cover                              | 1   |
| 13   | CM288-769   | Hinge Assembly, Cover                              | 1   |
| 14   | CM288-781   | Latch Assembly, Cover                              | 2   |
| 15   | 58-64017-05 | Cover, Condenser/Evaporator GR-60, 10 Meter Radius | 1   |
| 16   | CM288-891   | Support, Handle, Pocket Pull                       | 4   |
| 17   | CM204-191   | Inner Cover Assembly                               | 1   |



| <b>2 EVAPORATOR AND CONDENSER TOP COVER (Continued)</b> |                    |                               |            |
|---|--------------------|-------------------------------|------------|
| <b>Item</b>   | <b>Part Number</b> | <b>Description</b>            | <b>Qty</b> |
| 18  | CM288-911          | Tube, Security, Gas Spring    | 2          |
| 19  | AC701-907          | Stud, Ball Type, Large        | 4          |
| 20  | AC701-908          | Clip, Safety, Large           | 4          |
| 21  | 34-00363-12        | Nut, Hex, 5/16-18             | 4          |
| 22  | 34-00368-12        | Washer, Split Lock, 5/16 Inch | 4          |
| 23  | 34-00366-12        | Washer, Plain, 5/16 Inch      | 4          |



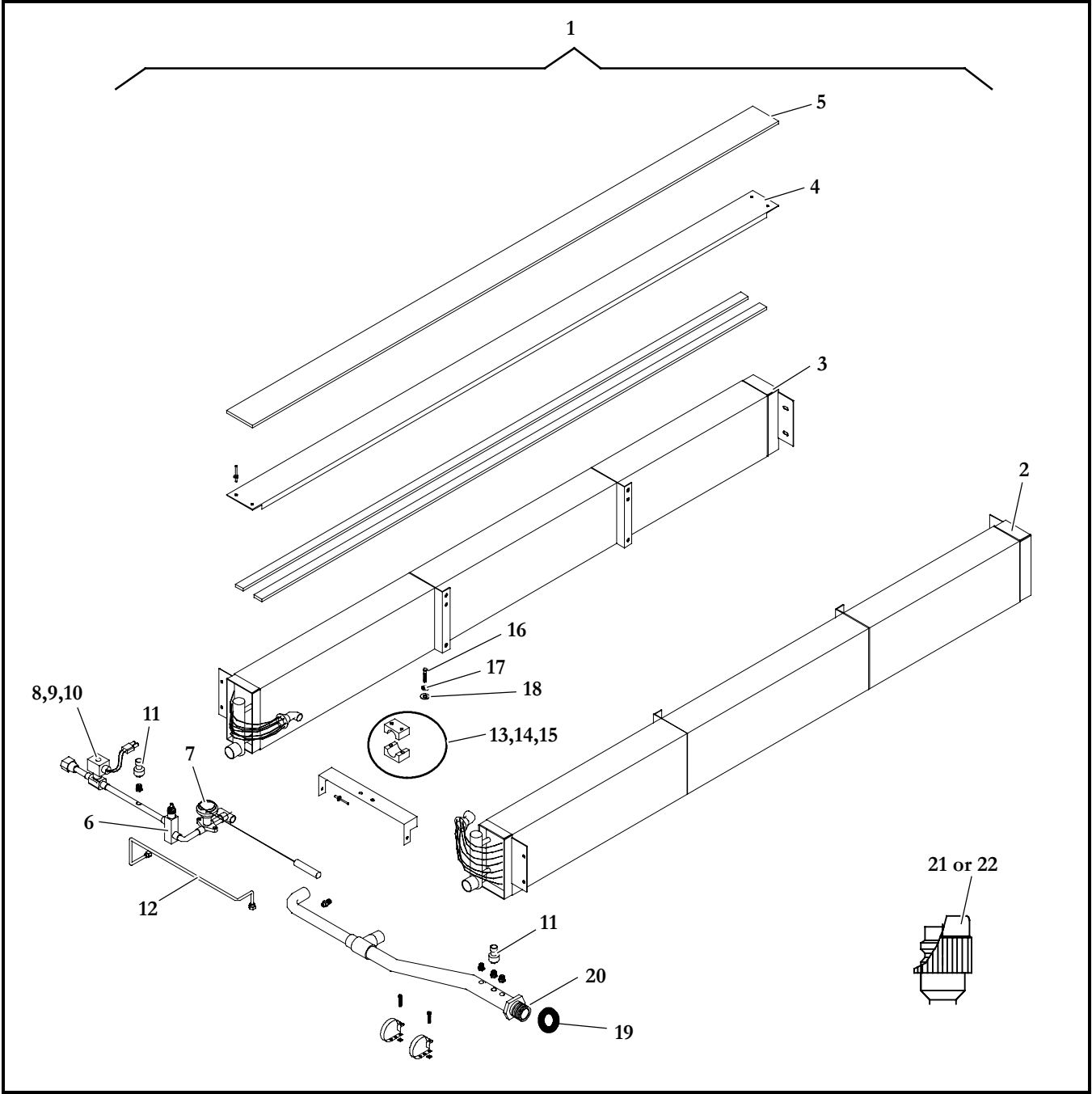
**3 CONDENSER COIL**



| Item | Part Number | Description   | Qty |
|------|-------------|---|-----|
| 1    | NSA         | Condenser Coil Assembly - Includes: (Ref.)  | 1   |
| 2    | N/A         | Tank Assembly, Receiver (CM203-798)   | 1   |
| 3    | 08-64019-00 | Coil Assembly, Condenser, Bent (Curb Side)  | 1   |
| 4    | 08-64020-00 | Coil Assembly, Condenser, Bent (Road Side)  | 1   |
| 5    | CM288-699   | Plate, Protective, Coil (Road Side)   | 1   |
| 6    | CM288-842   | Plate, Protective, Coil (Curb Side)   | 1   |
| 7    | CM203-862   | Seal, Protective Plate, PVC, Adhesive Backed  | 2   |
| 8    | N/A         | Valve Assembly, Pre-Charge, With Mounting Plate & 1-7/16-12 ORS Fitting (CM288-704) | 1   |
| 9    | CM203-818   | Valve Assembly, Service, 90 Degree, 1/2 Inch ODF Connections                        | 1   |
| 10   | 44-00285-71 | Clamp, Tube, Stauff, 3/4Inch OD - Includes:   | 2   |
| 11   | 44-00285-95 | Plate, Cover, Tube Clamp  | 1   |
| 12   | 44-00285-89 | Plate, Weld Nut, Tube Clamp   | 1   |
| 13   | 34-00300-16 | Screw, Cap Hex Head, 1/4-20 x 2.00 Inches Long                                      | 4   |
| 14   | 34-00368-11 | Washer, Split Lock, 1/4 Inch  | 4   |
| 15   | 34-00366-11 | Washer, Plain, 1/4 Inch   | 4   |
| 16   | 14-01032-00 | Plug, Fusible, Safety   | 1   |
| 17   | CM258-198   | Bracket, Mounting, Receiver Tank, (Curb Side)                                       | 1   |
| 18   | CM258-021   | Bracket, Mounting, Receiver Tank, (Road Side)                                       | 1   |
| 19   | CM283-117   | Sight Glass, With Moisture Indicator  | 1   |
| 20   | 14-00220-00 | Sight Glass, With (3) Red Balls   | 1   |



# 4 EVAPORATOR COIL



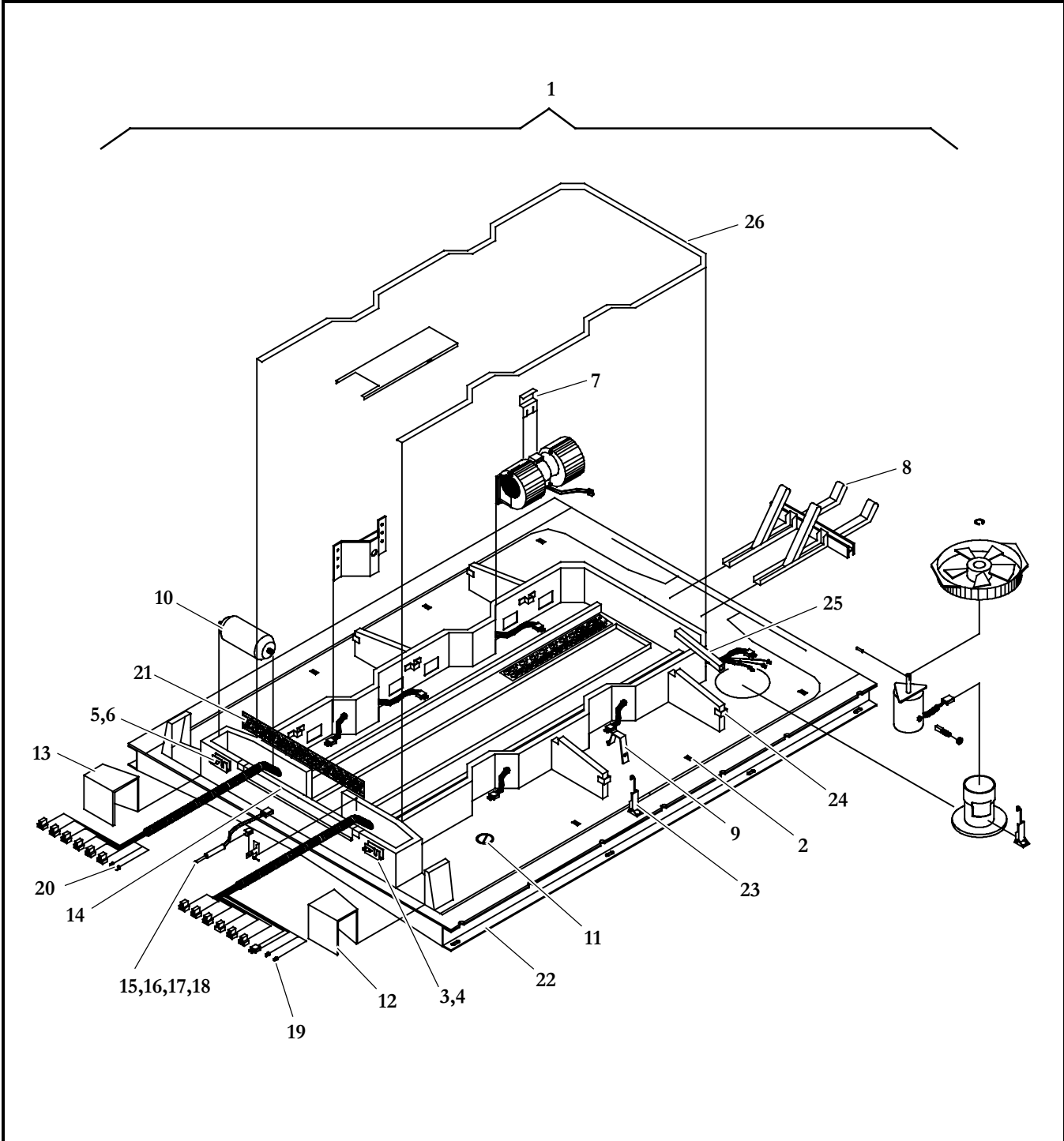




| <b>4 EVAPORATOR COIL - Continued</b> |                    |  |            |
|--------------------------------------|--------------------|--|------------|
| <b>Item</b>                          | <b>Part Number</b> | <b>Description</b>   | <b>Qty</b> |
| 1                                    | NSA                | Evaporator Coil Assembly - Includes: (Ref.)                  | 1          |
| 2                                    | CM203-790          | Coil, Evaporator Without Heat (Curb Side Only)               | 1          |
|                                      | CM203-792          | Coil, Evaporator With Heat (Curb Side Only)                  |            |
|                                      | 08-64000-00        | Coil Assembly, Evaporator With Heat (Curb Side)              |            |
|                                      | 08-64000-01        | Coil Assembly, Evaporator Without Heat (Curb Side)           |            |
| 3                                    | CM203-791          | Coil, Evaporator Without Heat (Road Side Only)               | 1          |
|                                      | CM203-793          | Coil, Evaporator With Heat (Road Side Only)                  |            |
|                                      | 08-64000-00        | Coil Assembly, Evaporator With Heat (Road Side)              |            |
|                                      | 08-64000-01        | Coil Assembly, Evaporator Without Heat (Road Side)           |            |
| 4                                    | 68-64109-00        | Plate, Protective, Coil, Without Heat                        | 2          |
|                                      | CM288-743          | Plate, Protective, Coil, With Heat                           |            |
| 5                                    | 42-64009-02        | Insulation, Coil, 0.50 Thick x 3.75 x 72.5 Inches            | 2          |
| 6                                    | 14-01106-00        | Valve, 2-Way, Service, 5/* ODS Connections                   | 1          |
| 7                                    | 14-01104-40        | Valve, Thermal Expansion, Less Flange, 7.5Tons, R-134a       | 1          |
| 8                                    | AC101-422          | Valve, Solenoid, Liquid Line, Less Coil, 5/8 ODS Connections | 1          |
| 9                                    | 14-50047-00        | Repair Kit, Solenoid Valve                                   | 1          |
| 10                                   | 22-50030-00        | Coil, Solenoid Valve, 24VDC                                  | 1          |
| 11                                   | 12-00352-00        | Transducer, Pressure, 1/4 Inch SAE Female Flare              | 2          |
| 12                                   | CM288-670          | Tube Assembly, Equalizer, 1/4 OD                             | 1          |
| 13                                   | 44-00285-71        | Clamp, Tube, Stauff, 3/4Inch OD - Includes:                  | 1          |
| 14                                   | 44-00285-95        | Plate, Cover, Tube Clamp                                     | 1          |
| 15                                   | 44-00285-89        | Plate, Weld Nut, Tube Clamp                                  | 1          |
| 16                                   | 34-00300-16        | Screw, Cap Hex Head, 1/4-20 x 2.00 Inches Long               | 2          |
| 17                                   | 34-00368-11        | Washer, Split Lock, 1/4 Inch                                 | 2          |
| 18                                   | 34-00366-11        | Washer, Plain, 1/4 Inch                                      | 2          |
| 19                                   | 42-00243-01        | O-Ring, 1.171 ID x .139 Thick                                | 1          |
| 20                                   | CM209-083          | Nut, Hex, ORS-20   | 1          |
| 21                                   | 40-60042-01        | Adapter, High Pressure, With Cap                             | 1          |
| 22                                   | 40-01184-00        | Adapter, Low Pressure, With Cap                              | 1          |



5 BASE ASSEMBLY



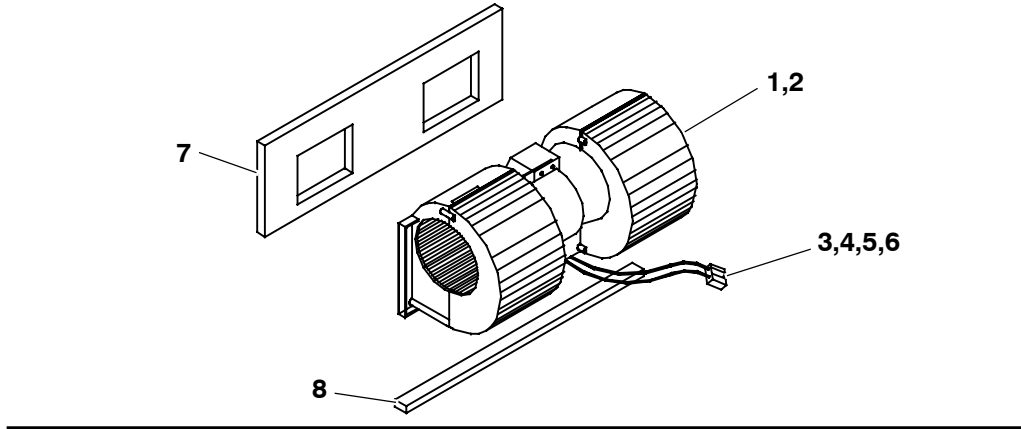


| <b>5 BASE ASSEMBLY - Continued</b> |                    |  |            |
|------------------------------------|--------------------|--|------------|
| <b>Item</b>                        | <b>Part Number</b> | <b>Description</b>   | <b>Qty</b> |
| 1                                  | <b>NSA</b>         | Base Assembly - Includes: (Ref.)                                 | 1          |
| 2                                  | CM203-942          | Insert, Drain, Condenser, Plastic                                | 8          |
| 3                                  | CM203-876          | Latch, Compression (Right)                                       | 1          |
| 4                                  | 86-64002-00        | Bracket, Latch Adjustment (Right)                                | 1          |
| 5                                  | CM203-877          | Latch, Compression (Left)  | 1          |
| 6                                  | 86-64002-01        | Latch, Latch Adjustment (Left)                                   | 1          |
| 7                                  | CM288-655          | Bracket, Motor/Fan Mounting                                      | 6          |
| 8                                  | CM288-757          | Hinge Assembly, Base   | 1          |
| 9                                  | CM288-813          | Strap, Latch   | 4          |
| 10                                 | CM203-633          | Drier, Filter, 7/8 Flare Connections                             | 1          |
|                                    | 14-00200-01        | Drier, Filter, 5/8 Flare Connections                             |            |
| 11                                 | CM203-880          | Label, <b>Caution</b>  | 6          |
| 12                                 | CM204-196          | Cover, Access, Connections (Road Side)                           | 1          |
| 13                                 | CM204-194          | Cover, Access, Connections (Curb Side)                           | 1          |
| 14                                 | CM288-845          | Damper Assembly, Fresh Air - Includes:                           | 1          |
| 15                                 | CM203-815          | Actuator, Pneumatic (Used On Earlier Units Prior To 1999)        | 1          |
|                                    | 12-00426-00        | Actuator, Electric - Includes:                                   |            |
| 16                                 | 22-01585-00SK      | Connector, Male, 2 Cavity, Black                                 | 1          |
| 17                                 | 22-01566-01        | Terminal, Female   | 2          |
| 18                                 | 22-02394-02        | Seal, Cable  | 2          |
| 19                                 | CM205-202          | Harness Assembly, Motor, Rotron, Complete <b>(See Section 8)</b> | 1          |
|                                    | CM205-211          | Harness Assembly, Motor, Leeson, Right <b>(See Section 8)</b>    |            |
| 20                                 | CM205-210          | Harness Assembly, Motor, Leeson, Left <b>(See Section 8)</b>     | 1          |
| 21                                 | CM203-854RO        | Filter, Fresh Air  | 1          |
| 22                                 | CM204-157          | Base Assembly  | 1          |
| 23                                 | CM203-816          | Latch, Draw, Adjustable  | 16         |
| 24                                 | CM288-816          | Support, Strap, Latch  | 4          |
| 25                                 | CM203-482          | Gasket   | 1          |
| 26                                 | 42-64011-01        | Gasket   | 1          |

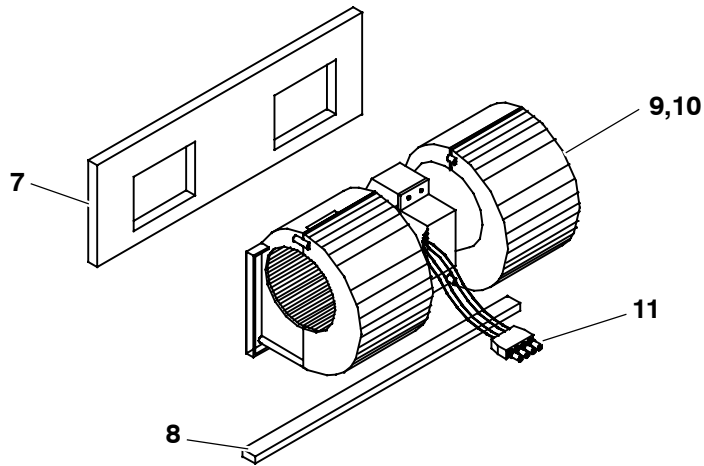


**6 EVAPORATOR MOTORS**

**PERMANENT MAGNET MOTOR**



**BRUSHLESS MOTOR**

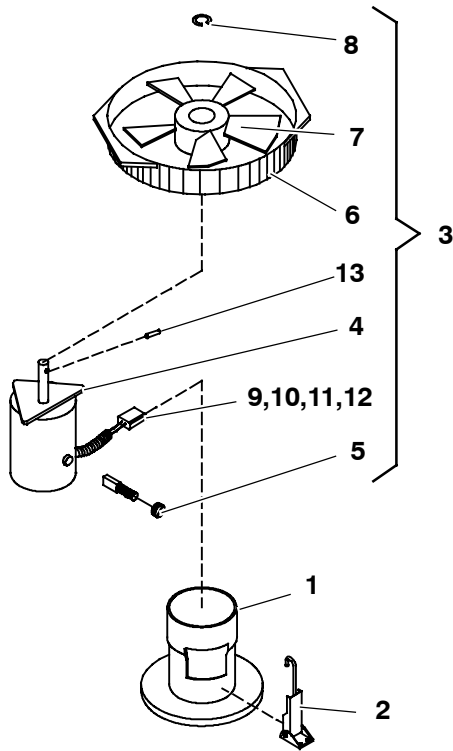


| Item | Part Number   | Description   | Qty |
|------|---------------|---|-----|
| 1    | 54-00546-07   | Blower/Motor Assembly, Evaporator, 24 VDC, PM - Includes:     | 1   |
| 2    | NSS           | Motor, Double Shaft   | 1   |
| 3    | 22-02392-00SV | Connector Kit, 2 Pin - Includes:                              | 1   |
| 4    | NSS           | Connector, 2 Pin, Black                                       | 1   |
| 5    | 22-02393-00   | Terminal, Male (14-16 AWG)                                    | 2   |
| 6    | 22-02394-01   | Seal, Cable   | 2   |
| 7    | CM203-801     | Gasket, Foam, Blower/Motor                                    | 1   |
| 8    | CM203-872     | Gasket, Foam, Lower Motor                                     | 1   |
| 9    | 54-00550-00   | Blower/Motor Assembly, Evaporator, 24 VDC, Rotron - Includes: | 1   |
| 10   | NSS           | Motor, Double Shaft   | 1   |
| 11   | 22-01585-04   | Connector, Male, 4 Pin, Black                                 | 1   |
| 7    | CM203-801     | Gasket, Foam, Blower/Motor                                    | 1   |
| 8    | CM203-872     | Gasket, Foam, Lower Motor                                     | 1   |

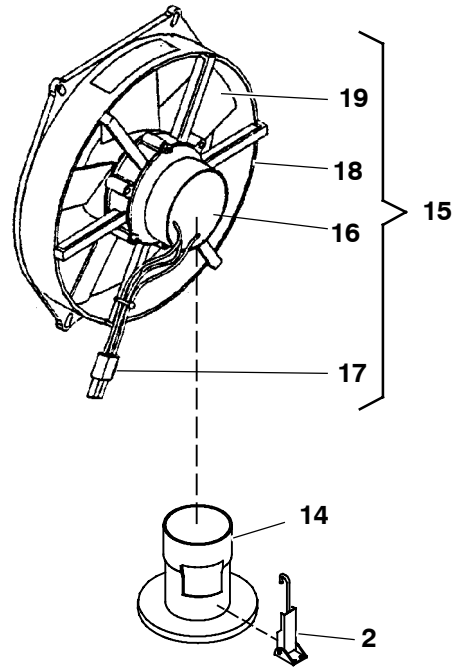


**7 CONDENSER MOTORS**

**PERMANENT MAGNET MOTOR**



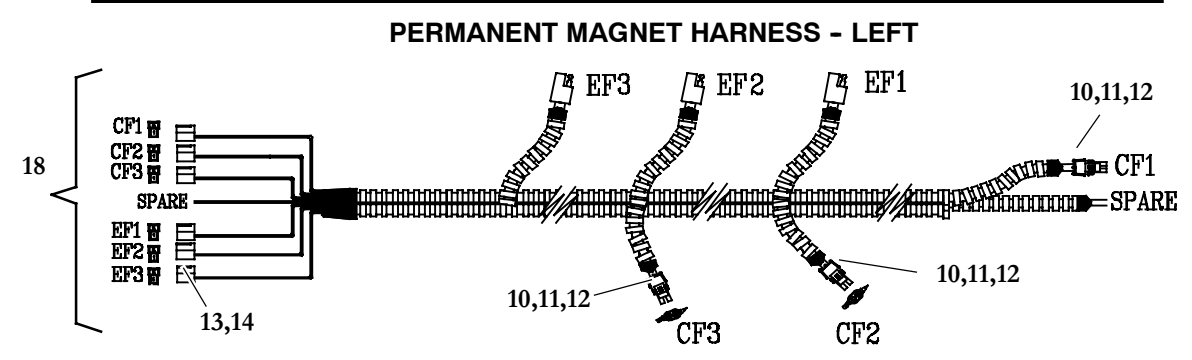
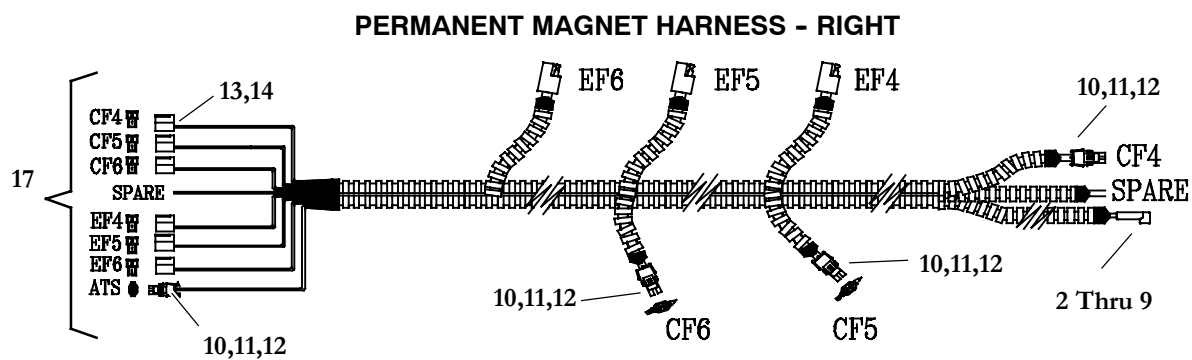
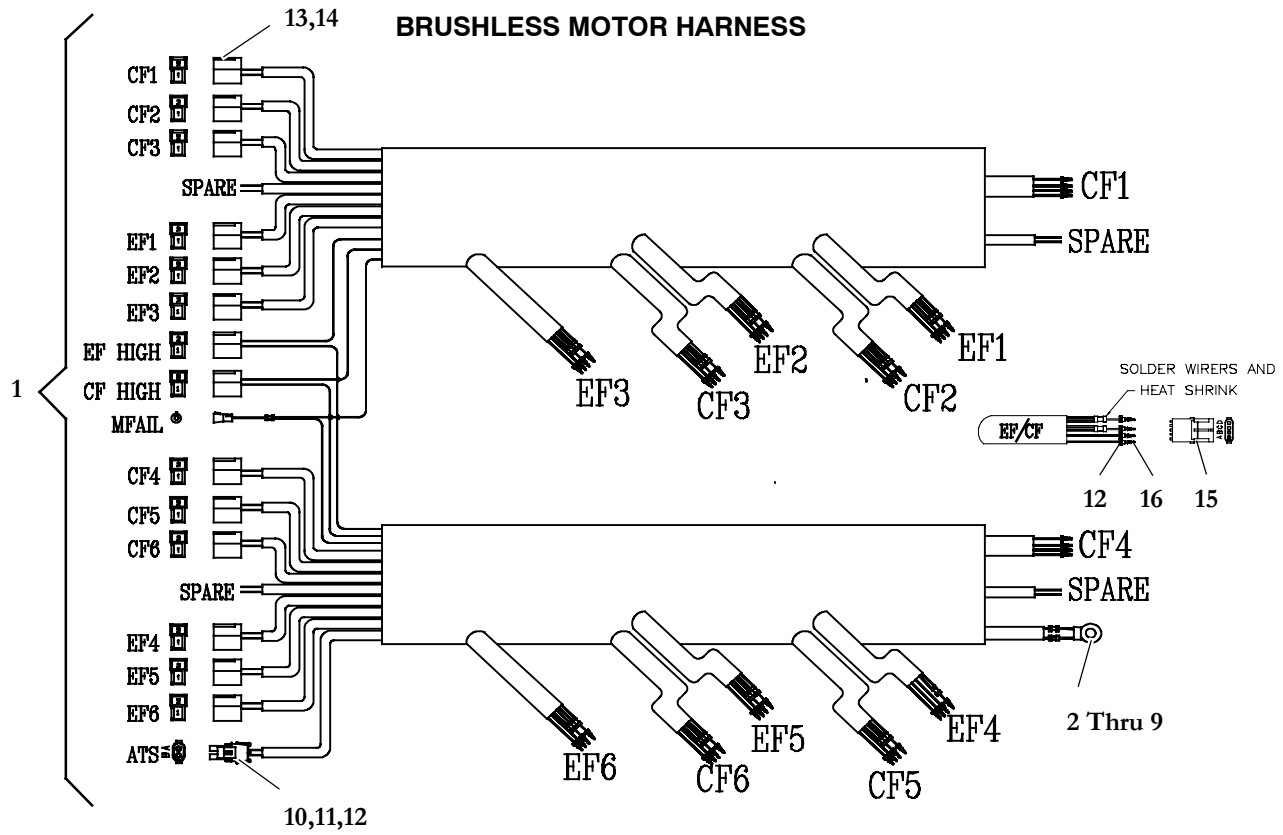
**BRUSHLESS MOTOR**



| Item | Part Number   | Description                                      | Qty |
|------|---------------|--|-----|
| 1    | 58-64001-00   | Support, Motor (Permanent Magnet Motor Only)     | 6   |
| 2    | CM203-816     | Latch, Draw, Adjustable                          | 12  |
| 3    | 54-00617-00   | Fan/Motor Assembly, Permanent Magnet - Includes: | 6   |
| 4    | CM205-148     | Motor, Fan, Permanent Magnet, 24 VDC -Includes:  | 1   |
| 5    | CM205-184     | Brush Set, 2 pieces                              | 2   |
| 6    | NSS           | Shroud, Fan                                      | 1   |
| 7    | NSS           | Blade, Fan                                       | 1   |
| 8    | CM205-167     | Clip   | 1   |
| 9    | 22-02392-00SV | Connector Kit, 2 Pin - Includes: (Loose)         | 1   |
| 10   | NSS           | Connector, 2 Pin, Black                          | 1   |
| 11   | 22-02393-00   | Terminal, Male (14-16 AWG)                       | 2   |
| 12   | 22-02394-01   | Seal, Cable                                      | 2   |
| 13   | CM205-166     | Pin, Motor Shaft                                 | 1   |
| 14   | 58-64001-01   | Support, Motor (Brushless Motor Only)            | 6   |
| 2    | CM203-816     | Latch, Draw, Adjustable                          | 12  |
| 15   | 54-00551-00   | Fan/Motor Assembly, Brushless - Includes:        | 6   |
| 16   | NSS           | Motor, Fan, Brushless, 24 VDC                    | 1   |
| 17   | 22-01586-00   | Connector, Female, 3 Cavity, Black               | 1   |
| 18   | NSS           | Shroud, Fan                                      | 1   |
| 19   | NSS           | Blade, Fan                                       | 1   |



8 MOTOR HARNESSES

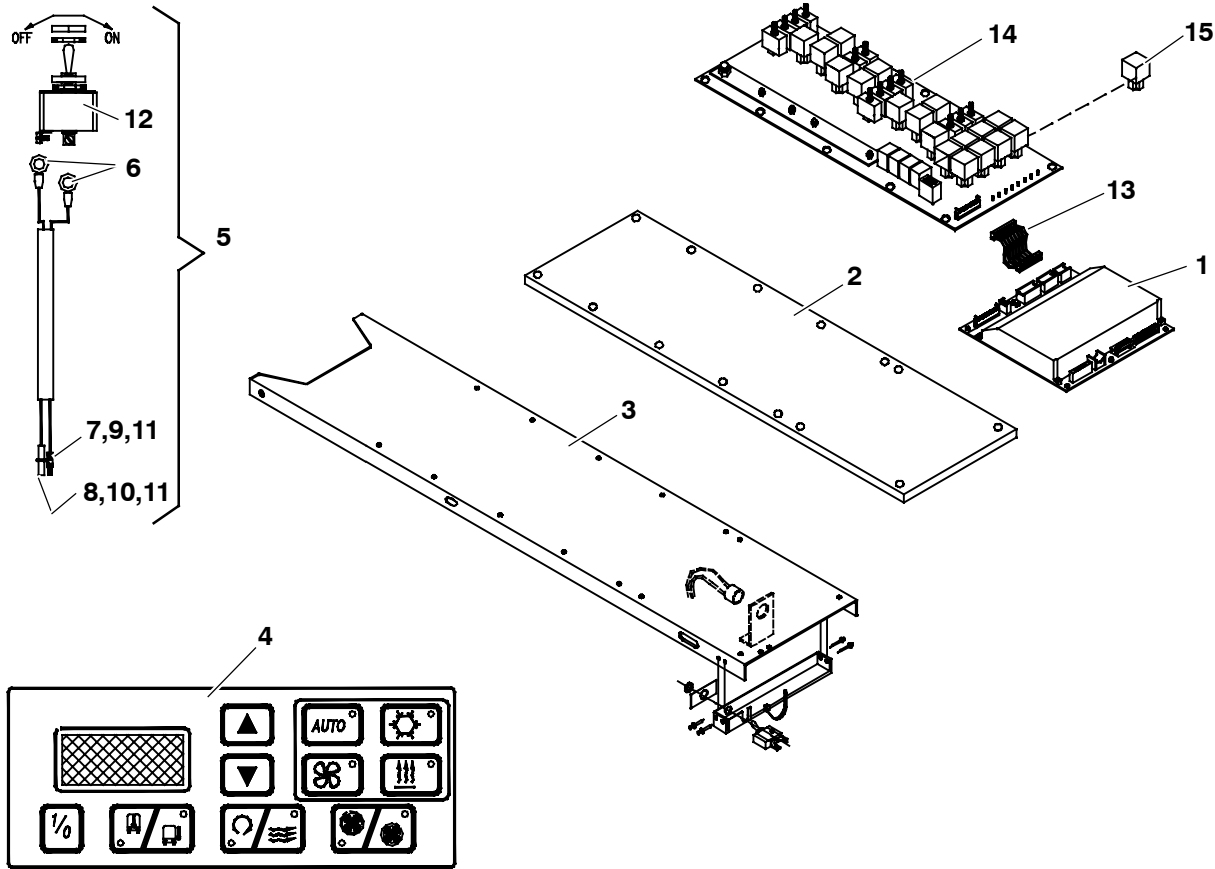




| <b>8 MOTOR HARNESSES - Continued</b> |                    |   |            |
|--------------------------------------|--------------------|---|------------|
| <b>Item</b>                          | <b>Part Number</b> | <b>Description</b>  | <b>Qty</b> |
| 1                                    | CM205-202          | Harness Assembly, Motor, Rotron - Includes:                         | 1          |
| 2                                    | 12-00495-02SV      | Sensor Kit, Temperature, Ambient - Includes:                        | 1          |
| 3                                    | <b>NSS</b>         | Sensor, Temperature, Ambient  | 1          |
| 4                                    | 22-01292-00        | Connector, Butt, Range: #16-22 AWG                                  | 2          |
| 5                                    | 66U1-3803          | Tube, Heat Shrink, 1/4 x 2-1/8 Inches Long                          | 2          |
| 6                                    | 66U1-3803-1        | Tube, Heat Shrink, 1/2 x 2-3/4 Inches Long                          | 1          |
| 7                                    | 34-01178-23        | Screw, Thread Cutting, Hex Head Slotted, #8-32 x 3/4 Inch Long, SST | 1          |
| 8                                    | 66U1-5371-6        | Screw, Machine, Hex Head Slotted, #10-24 x 3/4 Inch Long, SST       | 1          |
| 9                                    | 98-50048-00        | Instructions, Technical Write-Up                                    | 1          |
| 10                                   | 22-01585-00SK      | Connector, Male, 2 Cavity, Black                                    | 1          |
| 11                                   | 22-01566-01        | Terminal, Female  | 2          |
| 12                                   | 22-02394-02        | Seal, Cable   | 78         |
| 13                                   | 22-50134-00        | Connector, Female, 2 Cavity   | 14         |
| 14                                   | 22-50148-00        | Terminal, Female  | 28         |
| 15                                   | 22-50141-00        | Connector, Male, 4 Cavity, Black                                    | 12         |
| 16                                   | 22-02393-01        | Terminal, Male (18-20 AWG)  | 48         |
|                                      |                    |   |            |
| 17                                   | CM205-211          | Harness Assembly, Motor, Permanent Magnet, Right - Includes:        | 1          |
| 2                                    | 12-00495-02SV      | Sensor Kit, Temperature, Ambient - Includes:                        | 1          |
| 3                                    | <b>NSS</b>         | Sensor, Temperature, Ambient  | 1          |
| 4                                    | 22-01292-00        | Connector, Butt, Range: #16-22 AWG                                  | 2          |
| 5                                    | 66U1-3803          | Tube, Heat Shrink, 1/4 x 2-1/8 Inches Long                          | 2          |
| 6                                    | 66U1-3803-1        | Tube, Heat Shrink, 1/2 x 2-3/4 Inches Long                          | 1          |
| 7                                    | 34-01178-23        | Screw, Thread Cutting, Hex Head Slotted, #8-32 x 3/4 Inch Long, SST | 1          |
| 8                                    | 66U1-5371-6        | Screw, Machine, Hex Head Slotted, #10-24 x 3/4 Inch Long, SST       | 1          |
| 9                                    | 98-50048-00        | Instructions, Technical Write-Up                                    | 1          |
| 10                                   | 22-01585-00SK      | Connector, Male, 2 Cavity, Black                                    | 4          |
| 11                                   | 22-01566-01        | Terminal, Female  | 8          |
| 12                                   | 22-02394-02        | Seal, Cable   | 8          |
| 13                                   | 22-50134-00        | Connector, Female, 2 Cavity   | 6          |
| 14                                   | 22-50148-00        | Terminal, Female  | 12         |
|                                      |                    |   |            |
| 18                                   | CM205-210          | Harness Assembly, Motor, Permanent Magnet, Left - Includes:         | 1          |
| 10                                   | 22-01585-00SK      | Connector, Male, 2 Cavity, Black                                    | 3          |
| 11                                   | 22-01566-01        | Terminal, Female  | 6          |
| 12                                   | 22-02394-02        | Seal, Cable   | 7          |
| 13                                   | 22-50134-00        | Connector, Female, 2 Cavity   | 6          |
| 14                                   | 22-50148-00        | Terminal, Female  | 12         |



**9 CONTROL PANEL ASSEMBLY**



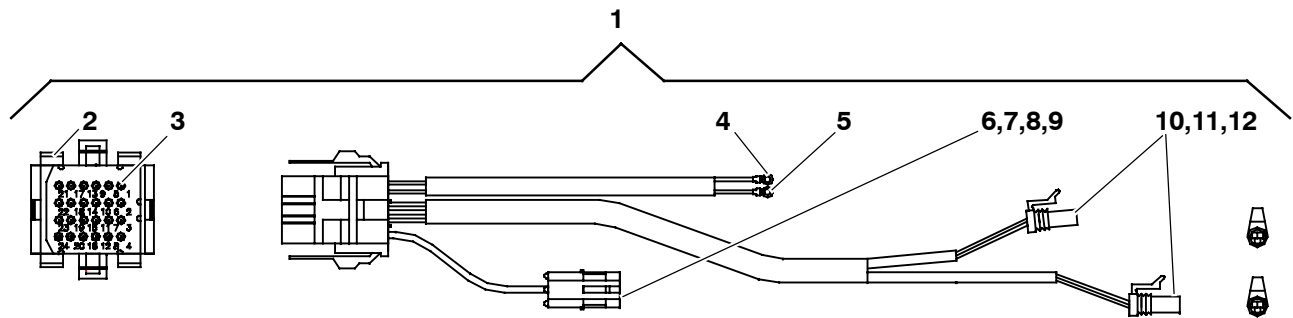
| Item | Part Number | Description  | Qty |
|------|-------------|--|-----|
| 1    | 12-00392-15 | Module, Logic Controller 24VDC                             | 1   |
| 2    | CM203-893   | Seal, Relay Boards   | 1   |
| 3    | 68-64142-00 | Base Plate, Relay Boards                                   | 1   |
| 4    | 12-00391-03 | Module, Micromate Panel                                    | 1   |
| 5    | 22-64001-00 | Harness Assembly, Kill Switch - Includes:                  | 1   |
| 6    | CM983-038   | Terminal, Ring, 3/16                                       | 2   |
| 7    | 22-50078-63 | Connector, Female, 1 Way, Black                            | 1   |
| 8    | 22-50078-64 | Connector, Male, 1 Way, Black                              | 1   |
| 9    | 22-01566-00 | Terminal, Female (14-16 AWG)                               | 1   |
| 10   | 22-02393-00 | Terminal, Male (14-16 AWG)                                 | 1   |
| 11   | 22-02394-02 | Seal, Cable  | 2   |
| 12   | CM203-904   | Switch, Toggle, On/Off                                     | 1   |
| 13   | 22-50236-00 | Cable Assembly, Ribbon, With 26 Pin Connector              | 1   |
| 14   | 12-00393-00 | Board Assembly, Relay, Permanent Magnet Motors - Includes: | 1   |
| 15   | 10-00286-09 | Relay, SPDT, 24 VDC  | 20  |
| 14   | 12-00394-01 | Board Assembly, Relay, Brushless Motors - Includes:        | 1   |
| 15   | 10-00286-06 | Relay, SPDT, 24 VDC  | 18  |





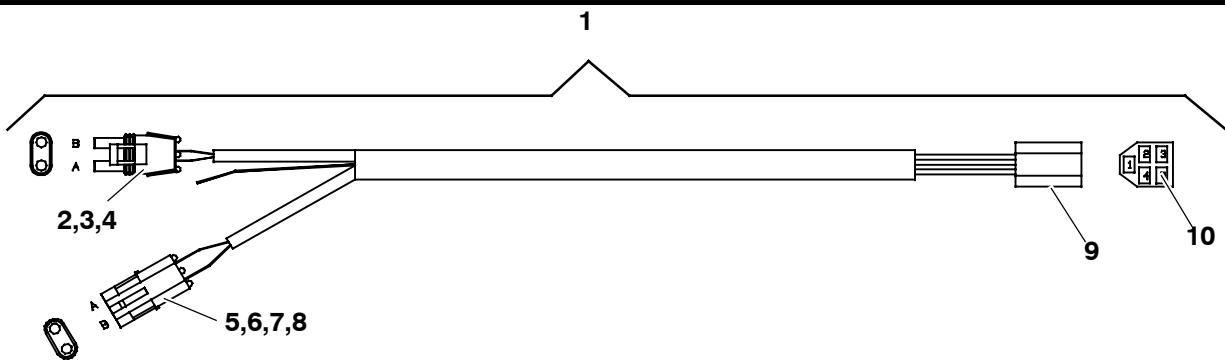
**10 CONTROL HARNESSES**

**10.1 Temperature Sensor**



| Item | Part Number   | Description  | Qty |
|------|---------------|--|-----|
| 1    | 22-64013-00   | Harness, Temperature Sensor And Transducer - Includes: | 1   |
| 2    | CM983-618     | Connector, 24 Position                                 | 1   |
| 3    | 22-50152-00   | Pin, Female  | 12  |
| 4    | 12-00495-20   | Thermistor, Return Air Sensor                          | 1   |
| 5    | 12-00495-20   | Thermistor, Freeze Temperature Sensor                  | 1   |
| 6    | 22-02392-00SV | Connector Kit, 2 Pin - Includes:                       | 1   |
| 7    | NSS           | Connector, 2 Pin, Black                                | 1   |
| 8    | 22-02393-00   | Terminal, Male (14-16 AWG)                             | 2   |
| 9    | 22-02394-01   | Seal, Cable  | 2   |
| 10   | 22-02448-00SV | Connector Package, Female - Includes:                  | 2   |
| 11   | NSS           | Connector, Female, Black, 3 Pin                        | 1   |
| 12   | 22-50100-00   | Terminal, Female (16-18 AWG)                           | 3   |

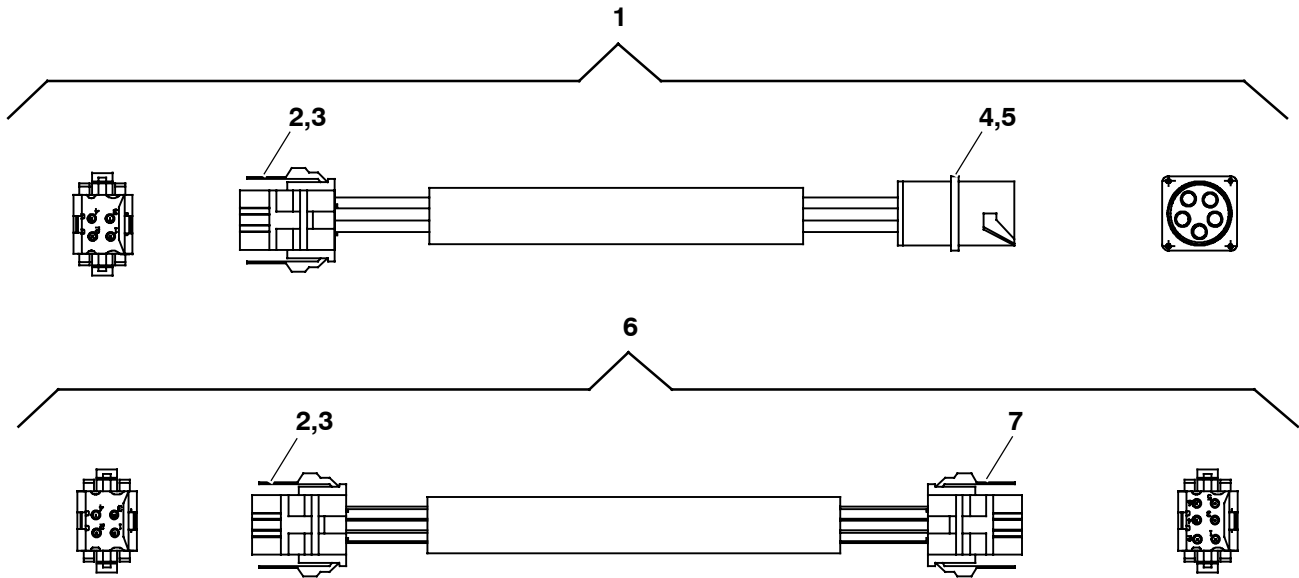
**10.2 Solenoid/Air Heating Harness**



|    |               |   |   |
|----|---------------|---|---|
| 1  | CM203-784     | Harness, Solenoid/Air Heating - Includes: | 1 |
| 2  | 22-01585-00SK | Connector, Male, 2 Cavity, Black          | 1 |
| 3  | 22-01566-00   | Terminal, Female                          | 2 |
| 4  | 22-02394-02   | Seal, Cable                               | 2 |
| 5  | 22-02392-00SV | Connector Kit, 2 Pin - Includes:          | 1 |
| 6  | NSS           | Connector, 2 Pin, Black                   | 1 |
| 7  | 22-02393-00   | Terminal, Male (14-16 AWG)                | 2 |
| 8  | 22-02394-01   | Seal, Cable                               | 2 |
| 9  | 22-50137-00   | Connector, Female, 5 Cavity               | 1 |
| 10 | 22-50148-00   | Terminal, Female                          | 5 |

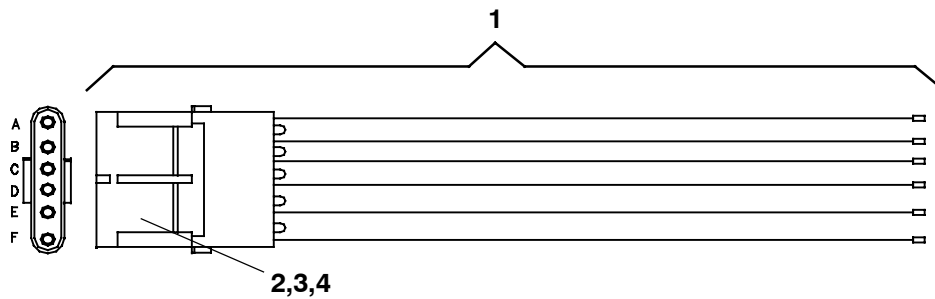


**10.3 Service Port Harness**



| Item | Part Number | Description                                 | Qty |
|------|-------------|---|-----|
| 1    | CM205-223   | Harness, Diagnostic-Logic Board - Includes: | 1   |
| 2    | 22-50145-00 | Connector, 4 Position                       | 1   |
| 3    | 22-50152-00 | Terminal                                    | 4   |
| 4    | 22-01660-03 | Connector, 5 Position                       | 1   |
| 5    | 22-01613-14 | Terminal, Contact                           | 4   |
| 6    | 22-62032-00 | Harness, Diagnostic-Logic Board - Includes: | 1   |
| 2    | 22-50145-00 | Connector, 4 Position                       | 1   |
| 3    | 22-50152-00 | Terminal                                    | 10  |
| 7    | 22-62026-00 | Connector, 6 Position                       | 1   |

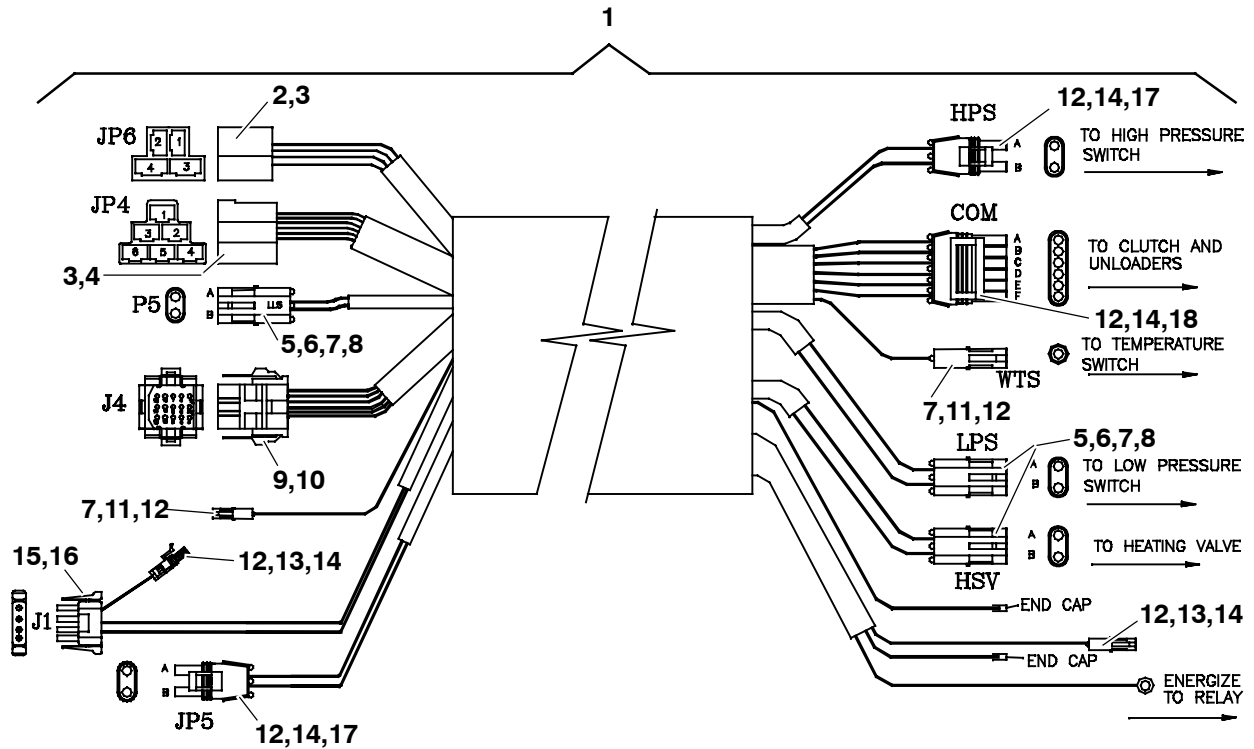
**10.4 Compressor Clutch/Unloader Harness**



|   |             |                                      |   |
|---|-------------|--------------------------------------|---|
| 1 | CM283-048   | Harness, Compressor - Includes:      | 1 |
| 2 | 22-01775-00 | Connector, 6 Position, Female, Black | 1 |
| 3 | 22-02393-00 | Terminal, Male (14-16 AWG)           | 6 |
| 4 | 22-02394-02 | Seal, Cable                          | 6 |



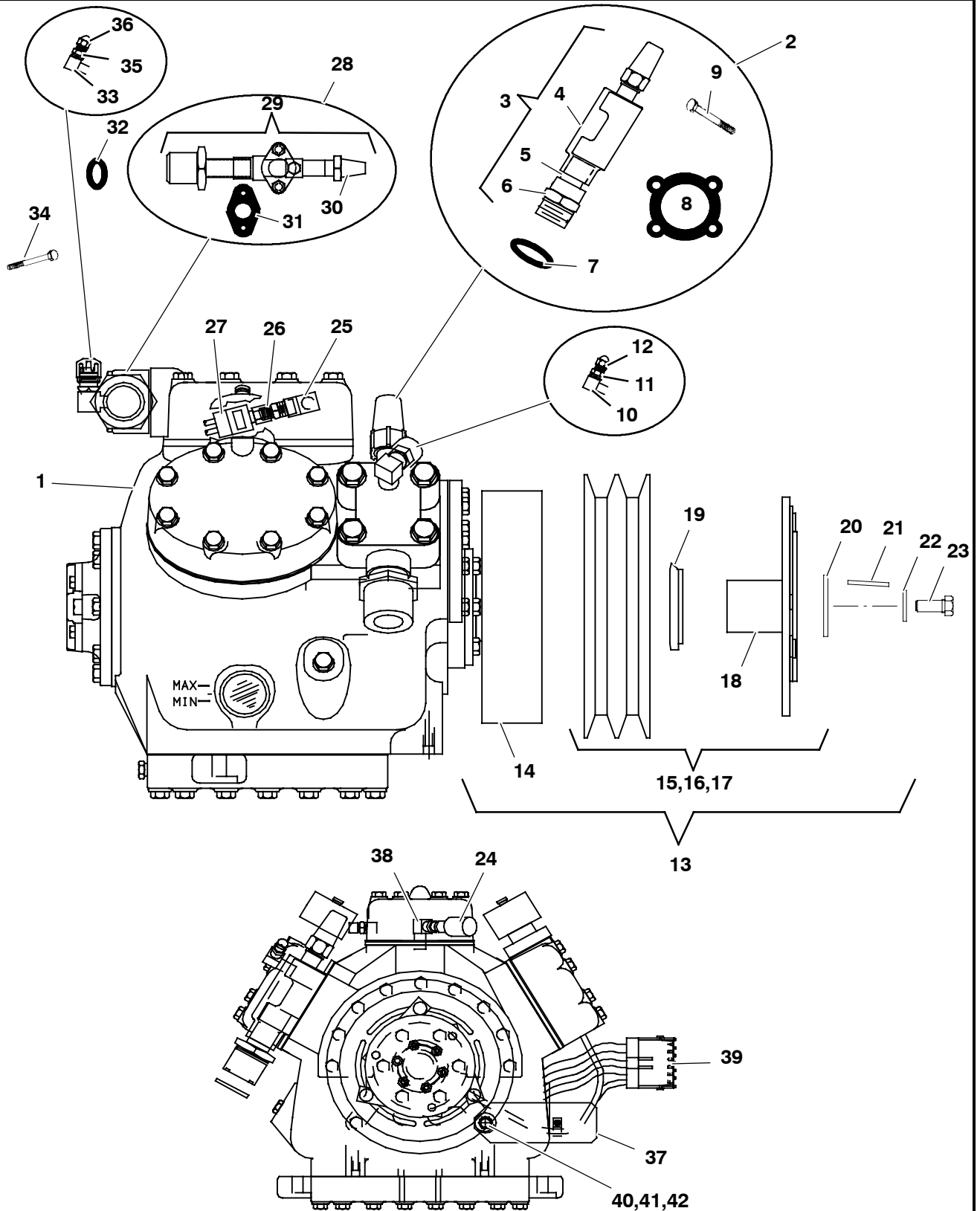
10.5 Compressor Main Harness



| Item | Part Number   | Description                                   | Qty |
|------|---------------|---|-----|
| 1    | 22-64000-00   | Harness, Compressor, 36 Feet Long - Includes: | 1   |
|      | 22-64000-01   | Harness, Compressor, 43 Feet Long - Includes: |     |
|      | 22-64000-02   | Harness, Compressor, 46 Feet Long - Includes: |     |
|      | 22-64000-03   | Harness, Compressor, 15 Feet Long - Includes: |     |
| 2    | 22-50138-00   | Connector, 4 Position, Female, Black          | 1   |
| 3    | 22-50148-00   | Terminal, Female                              | 10  |
| 4    | 22-50136-00   | Connector, 6 Position, Female, Black          | 1   |
| 5    | 22-02392-00SV | Connector Kit, 2 Pin - Includes:              | 3   |
| 6    | NSS           | Connector, 2 Pin, Black                       | 1   |
| 7    | 22-02393-00   | Terminal, Male (14-16 AWG)                    | 2   |
| 8    | 22-02394-01   | Seal, Cable                                   | 2   |
| 9    | CM983-500     | Connector, 15 Position, Red                   | 1   |
| 10   | 22-50152-00   | Terminal, Female                              | 15  |
| 11   | 22-50078-64   | Connector, Male, 1 Way, Black                 | 2   |
| 7    | 22-02393-00   | Terminal, Male (14-16 AWG)                    | 2   |
| 12   | 22-02394-02   | Seal, Cable                                   | 14  |
| 13   | 22-50078-63   | Connector, Female, 1 Way, Black               | 2   |
| 14   | 22-01566-00   | Terminal, Female                              | 12  |
| 15   | 22-50144-00   | Connector, 4 Position                         | 1   |
| 16   | 22-50153-00   | Terminal, Female                              | 3   |
| 17   | 22-01585-00SK | Connector, Male, 2 Position, Black            | 2   |
| 18   | AC201-951     | Connector, Female, 6 Position, Black          | 1   |



# 11 COMPRESSOR

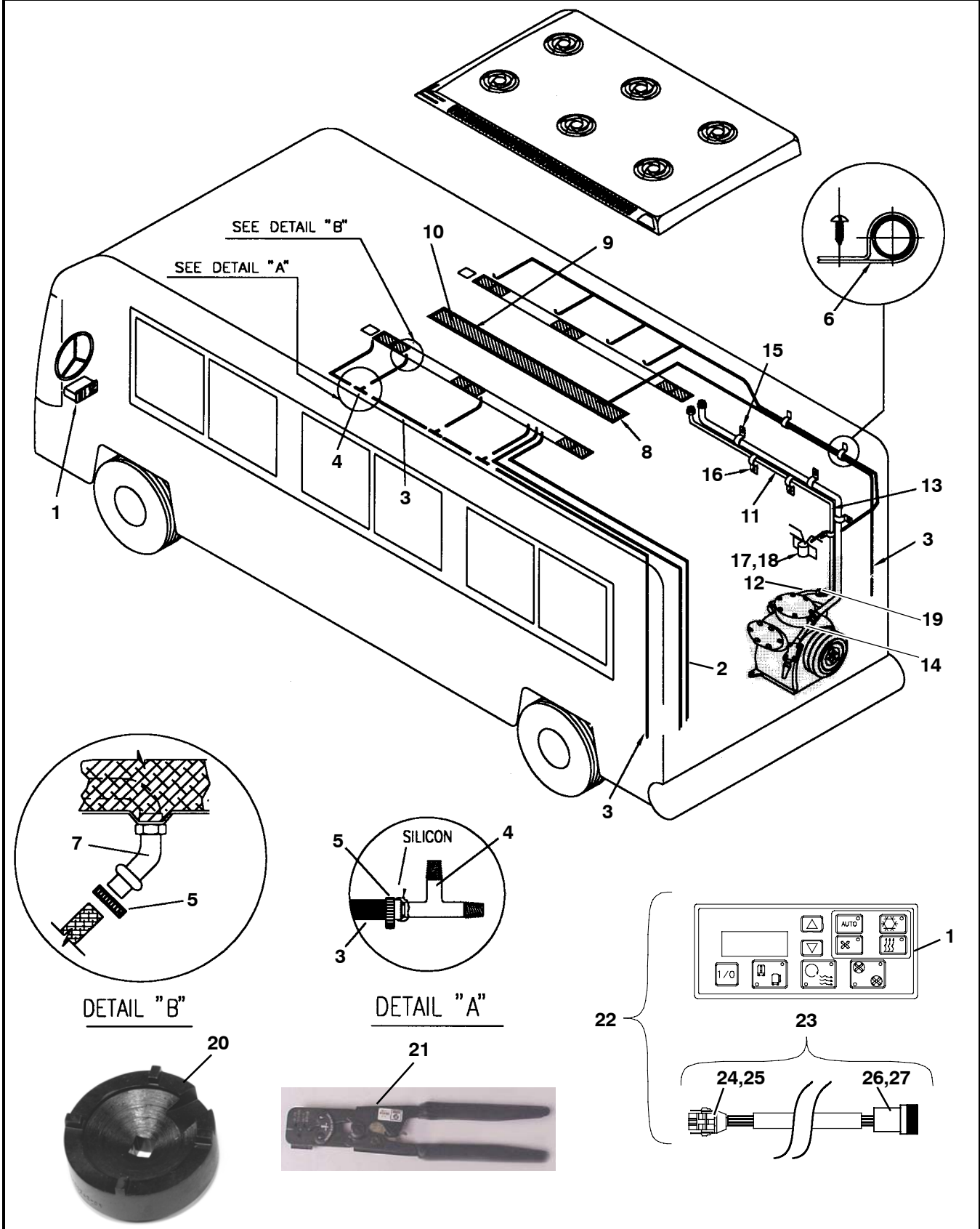




| <b>11 COMPRESSOR - Continued</b> |                    |  |            |
|----------------------------------|--------------------|--|------------|
| <b>Item</b>                      | <b>Part Number</b> | <b>Description</b>   | <b>Qty</b> |
| 1                                | 17-44062-00        | Compressor Assembly, 05G Service (Remanufactured, 41 CFM, R-134a)      | 1          |
|                                  | 18-00091-160       | Compressor Assembly, 05G Service (New, Twin Port, 41 CFM, R-134a)      |            |
| 2                                | 68PD2-110-5        | Valve Assembly, Suction, Service - Includes:                           | 1          |
| 3                                | 68PD1-293          | Valve Assembly, Suction, With Tube & Fitting - Includes:               | 1          |
| 4                                | 17-31062-00        | Valve, Suction, Service, 1-1/8 ODF                                     | 1          |
| 5                                | 68PD1-1082         | Tube, Suction, Straight, 1-1/8 OD x .065W x 2 Inches Long, Steel       | 1          |
| 6                                | 40-00491-01        | Fitting, ORS, 1.125 ODF x 1-11/16-12                                   | 1          |
| 7                                | 42-00243-01        | O-Ring, 1.171 ID x 0.139 Thick   | 2          |
| 8                                | 17-40005-05        | Gasket, Suction Service Valve (Valve To Compressor)                    | 1          |
| 9                                | 17-13020-00        | Bolt, Hex Head, 1/2 - 13 x 2.50 Inches Long                            | 4          |
| 10                               | 40-00524-00        | Elbow, 1/4 NPT x M13, Low Pressure Side                                | 1          |
| 11                               | 40-00520-00        | Coupling, Service Port, M13, R-134a - Includes:                        | 1          |
| 12                               | 40-00520-02        | Cap, Service Port  | 1          |
| 13                               | 50-00226-12        | Clutch Assembly, 24 VDC (Less Lock Nut) - Includes:                    | 1          |
| 14                               | 50-00226-50        | Coil, Clutch, 24 VDC   | 1          |
| 15                               | 50-00226-91        | Rotor and Armature Assembly (2-5V Grooves at 8.70 Inch OD) - Includes: | 1          |
| 16                               | 50-50040-04        | Bearing  | 1          |
| 17                               | 50-50040-05        | Ring, Retainer   | 1          |
| 18                               | <b>NSS</b>         | Armature Assembly  | 1          |
| 19                               | 34-06083-00        | Nut, Lock, Clutch, Special   | 1          |
| 20                               | 68G2-9082          | Washer, Special, 7/16 ID   | 1          |
| 21                               | 68G2-9072          | Key, Crankshaft, Special   | 1          |
| 22                               | AU11AR241          | Washer, Lock, 3/8 Spring   | 1          |
| 23                               | 34-00613-10        | Screw, Hex Head Cap, 3/8-24 x 1.25. SAE Grade 8, Zinc Plated           | 1          |
| 24                               | 12-00299-01        | Switch, Pressure, Low, (LPS) R-22 & R-134a                             | 1          |
| 25                               | 14-01093-00        | Snubber Assembly, 90 Degree, 1/4 MPT x 1/4 FPT                         | 1          |
| 26                               | 06DA403844         | Valve Assembly, Schrader, 1/4 Male Flare                               | 2          |
| 27                               | 12-00299-14        | Switch, Pressure, High, (HPS) R-134a                                   | 1          |
| 28                               | 68PD1-102-2        | Valve Assembly, Discharge, Service - Includes:                         | 1          |
| 29                               | 14-01042-04        | Valve, Discharge, Service, 7/8 ODF - Includes:                         | 1          |
| 30                               | 17-10812-00        | Cap, Service Valve Stem, With "O" Ring, Plastic                        | 1          |
| 31                               | 17-10811-05        | Gasket, Discharge Service Valve (Valve to Compressor)                  | 1          |
| 32                               | 42-00243-00        | O-Ring, Discharge Adapter Fitting, .921 ID x .139 Thick                | 1          |
| 33                               | 40-00524-01        | Elbow, 1/8 NPT x M15, High Pressure Side                               | 1          |
| 34                               | 17-40012-00        | Bolt, Hex Head, 5/16-18 x 2.00 Inches Long                             | 2          |
| 35                               | 40-00520-01        | Coupling, Service Port, M15, R-134a - Includes:                        | 1          |
| 36                               | 40-00520-03        | Cap, Service Port  | 1          |
| 37                               | 68PD1-1202         | Bracket, Clutch Wire Support   | 1          |
| 38                               | 40-01166-01        | Elbow, Adapter, 1/4 FPT x 7/16 UNC                                     | 1          |
| 39                               | -                  | Connector, Female, 6 Cavity, Black ( <b>See Section 10.4</b> )         | 1          |
| 40                               | 17-40037-05        | Screw, Hex Head Cap, 3/8-16 x 1.00 Long                                | 1          |
| 41                               | AU02AB242          | Washer, Plain, 3/8 SAE   | 1          |
| 42                               | 34-00372-13        | Washer, Lock, 3/8, External Tooth                                      | 1          |



12 INSTALLATION COMPONENTS





| <b>12 INSTALLATION COMPONENTS - Continued</b> |                    |  |            |
|---|--------------------|--|------------|
| <b>Item</b>                                   | <b>Part Number</b> | <b>Description</b>   | <b>Qty</b> |
| 1   | 12-00391-03        | Module, Drivers Display (Micromate Control Panel)                    | 1          |
| 2   | Nova Bus Part      | Cable, Power   | 2          |
| 3   | CM973-643          | Hose, Drain, 3/4 Inch  | A/R        |
| 4   | CM203-488          | Tee, Plastic, 3/4 Inch   | 4          |
| 5   | CM993-274          | Clamp, Nylon, 3/4 Inch   | A/R        |
| 6   | 44-00045-01        | Clamp, Hose, #12   | A/R        |
| 7   | CM288-957          | Tube Assembly, Drain   | 6          |
| 8   | CM203-985          | Seal, Air Return "A"   | 2          |
| 9   | CM203-986          | Seal, Air Return "B"   | 2          |
| 10  | CM204-338          | Filter, Air, GR60/NOVA (Long 1/2 x 10.31 x 57.95 Inches)             | 1          |
|   | CM204-337          | Filter, Air, GR60/NOVA (Short 1/2 x 10.31 x 16.14 Inches)            | 1          |
|   | 42-64035-00        | Filter, Air, GR60/NOVA (One Piece 1/2 x 11.93 x 82.16 Inches)        | 1          |
| 11  | Nova Bus Part      | Hose Assembly, Unit Discharge  | 1          |
| 12  | Nova Bus Part      | Hose Assembly, Compressor Discharge                                  | 1          |
| 13  | Nova Bus Part      | Hose Assembly, Unit Suction  | 1          |
| 14  | Nova Bus Part      | Hose Assembly, Compressor Suction                                    | 1          |
| 15  | CM993-284          | Clamp, Insulated, 2 Inch (Suction)                                   | A/R        |
| 16  | CM993-283          | Clamp, Insulated, 1-3/4 Inch (Discharge)                             | A/R        |
| 17  | CM258-514          | Valve, Solenoid, Coolant, 3/4 Inch FPT - Includes:                   | 1          |
| 18  | 14-01110-02        | Coil, Solenoid, 24 VDC   | 1          |
| 19  | 81-62004-00        | Valve Assembly, Check  | 1          |
| NS  | 42-00243-21        | O-Ring, 0.796 ID x 0.139 Thick                                       | 4          |
| NS  | 42-00243-01        | O-Ring, 1.171 ID x 0.139 Thick                                       | 4          |
| NS  | Nova Bus Part      | Harness Assembly, Unit Compressor                                    | 1          |
| NS  | Nova Bus Part      | Harness Assembly, Unit Multiplex                                     | 1          |
| 20  | 07-00242-01        | Socket, Spanner Nut, Large, With Greas Fitting - Motors With Brushes | A/R        |
| NS  | 07-00367-00        | Crimper, J2, J3, J4  | A/R        |
| NS  | 07-00368-00        | Extractor, J2, J3, J4  | A/R        |
| 21  | 07-00370-00        | Crimper, Weatherpack   | A/R        |
| NS  | 07-00371-00        | Extractor, Weatherpack   | A/R        |
| NS  | 07-00372-00        | Board, Micro Tester  | A/R        |
| 22  | CM090-226          | Diagnostic Kit, Microprocessor Service Tool - Includes:              | A/R        |
| 1   | 12-00391-03        | Module, Drivers Display (Micromate Control Panel)                    | 1          |
| 23  | CM201-968          | Harness, Display Module, 70 Inches Long - Includes:                  | 1          |
| 24  | 22-62026-00        | Connector, 6 Position  | 1          |
| 25  | 22-50152-00        | Terminal   | 4          |
| 26  | 22-01660-04        | Connector, 5 Position, Deutsch                                       | 1          |
| 27  | 07-00397-00        | Terminal, Deutsch  | 4          |



# INDEX

PART # PAGE #

## 0

|             |    |
|-------------|----|
| 06DA403844  | 18 |
| 07-00242-01 | 20 |
| 07-00367-00 | 20 |
| 07-00368-00 | 20 |
| 07-00370-00 | 20 |
| 07-00371-00 | 20 |
| 07-00372-00 | 20 |
| 07-00397-00 | 20 |
| 08-64000-00 | 6  |
| 08-64000-01 | 6  |
| 08-64019-00 | 4  |
| 08-64020-00 | 4  |

## 1

|               |        |
|---------------|--------|
| 10-00286-06   | 13     |
| 10-00286-09   | 13     |
| 12-00299-01   | 18     |
| 12-00299-14   | 18     |
| 12-00352-00   | 6      |
| 12-00391-03   | 13, 20 |
| 12-00392-15   | 13     |
| 12-00393-00   | 13     |
| 12-00394-01   | 13     |
| 12-00426-00   | 8      |
| 12-00495-02SV | 12     |
| 12-00495-20   | 14     |
| 14-00200-01   | 8      |
| 14-00220-00   | 4      |
| 14-01032-00   | 4      |
| 14-01042-04   | 18     |
| 14-01093-00   | 18     |
| 14-01104-40   | 6      |
| 14-01106-00   | 6      |

PART # PAGE #

|              |    |
|--------------|----|
| 14-01110-02  | 20 |
| 14-50047-00  | 6  |
| 17-10811-05  | 18 |
| 17-10812-00  | 18 |
| 17-13020-00  | 18 |
| 17-31062-00  | 18 |
| 17-40005-05  | 18 |
| 17-40037-05  | 18 |
| 17-44012-00  | 18 |
| 17-44062-00  | 18 |
| 18-00091-160 | 18 |

## 2

|               |                       |
|---------------|-----------------------|
| 22-01292-00   | 12                    |
| 22-01566-00   | 13, 14, 16            |
| 22-01566-01   | 8, 12                 |
| 22-01585-00SK | 8, 12, 14, 16         |
| 22-01585-04   | 9                     |
| 22-01586-00   | 10                    |
| 22-01613-14   | 15                    |
| 22-01660-03   | 15                    |
| 22-01660-04   | 20                    |
| 22-01775-00   | 15                    |
| 22-02392-00SV | 9, 10, 14, 16         |
| 22-02393-00   | 9, 10, 13, 14, 15, 16 |
| 22-02393-01   | 12                    |
| 22-02394-01   | 9, 10, 14, 16         |
| 22-02394-02   | 8, 12, 13, 14, 15, 16 |
| 22-02448-00SV | 14                    |
| 22-50030-00   | 6                     |
| 22-50078-63   | 13, 16                |
| 22-50078-64   | 13, 16                |
| 22-50100-00   | 14                    |
| 22-50134-00   | 12                    |
| 22-50136-00   | 16                    |





# INDEX

| PART #      | PAGE #         |
|-------------|----------------|
| 22-50137-00 | 14             |
| 22-50138-00 | 16             |
| 22-50141-00 | 12             |
| 22-50144-00 | 16             |
| 22-50145-00 | 15             |
| 22-50148-00 | 12, 14, 16     |
| 22-50152-00 | 14, 15, 16, 20 |
| 22-50153-00 | 16             |
| 22-50236-00 | 13             |
| 22-62026-00 | 15, 20         |
| 22-62032-00 | 15             |
| 22-64000-00 | 16             |
| 22-64000-01 | 16             |
| 22-64000-02 | 16             |
| 22-64000-03 | 16             |
| 22-64001-00 | 13             |
| 22-64013-00 | 14             |

## 3

|             |      |
|-------------|------|
| 34-00300-16 | 4, 6 |
| 34-00363-12 | 3    |
| 34-00366-11 | 4, 6 |
| 34-00366-12 | 3    |
| 34-00368-11 | 4, 6 |
| 34-00368-12 | 3    |
| 34-00372-12 | 18   |
| 34-00613-10 | 18   |
| 34-01178-23 | 12   |
| 34-06083-00 | 18   |

## 4

|             |    |
|-------------|----|
| 40-00243-01 | 18 |
| 40-00491-01 | 18 |
| 40-00520-00 | 18 |

| PART #      | PAGE # |
|-------------|--------|
| 40-00520-01 | 18     |
| 40-00520-02 | 18     |
| 40-00520-03 | 18     |
| 40-00524-00 | 18     |
| 40-00524-01 | 18     |
| 40-01166-01 | 18     |
| 40-01184-00 | 6      |
| 40-60042-01 | 6      |
| 42-00243-00 | 18     |
| 42-00243-01 | 6, 20  |
| 42-00243-21 | 20     |
| 42-64002-00 | 2      |
| 42-64004-01 | 2      |
| 42-64009-02 | 6      |
| 42-64010-00 | 2      |
| 42-64011-01 | 8      |
| 42-64035-00 | 20     |
| 44-00045-01 | 20     |
| 44-00285-71 | 4, 6   |
| 44-00285-89 | 4, 6   |
| 44-00285-95 | 4, 6   |

## 5

|             |    |
|-------------|----|
| 50-00226-12 | 18 |
| 50-00226-50 | 18 |
| 50-00226-91 | 18 |
| 50-50040-04 | 18 |
| 50-50040-05 | 18 |
| 54-00546-07 | 9  |
| 54-00550-00 | 9  |
| 54-00551-00 | 10 |
| 54-00617-00 | 10 |
| 58-64000-00 | 2  |
| 58-64001-00 | 10 |
| 58-64001-01 | 10 |



INDEX

| PART #                | PAGE # |
|-----------------------|--------|
| 58-64017-05 . . . . . | 2      |

**6**

|                       |    |
|-----------------------|----|
| 66U1-3803 . . . . .   | 12 |
| 66U1-3803-1 . . . . . | 12 |
| 66U1-5371-6 . . . . . | 12 |
| 68-64109-00 . . . . . | 6  |
| 68-64142-00 . . . . . | 13 |
| 68G2-9072 . . . . .   | 18 |
| 68G2-9082 . . . . .   | 18 |
| 68PD1-102-2 . . . . . | 18 |
| 68PD1-1202 . . . . .  | 18 |
| 68PD1-293 . . . . .   | 18 |
| 68PD2-1082 . . . . .  | 18 |
| 68PD2-110-5 . . . . . | 18 |

**8**

|                       |    |
|-----------------------|----|
| 81-62004-00 . . . . . | 20 |
| 86-64002-00 . . . . . | 8  |
| 86-64002-01 . . . . . | 8  |

**9**

|                       |    |
|-----------------------|----|
| 98-50048-00 . . . . . | 12 |
|-----------------------|----|

**A**

|                     |    |
|---------------------|----|
| AC101-422 . . . . . | 6  |
| AC201-951 . . . . . | 16 |
| AC701-907 . . . . . | 3  |
| AC701-908 . . . . . | 3  |
| AC701-914 . . . . . | 2  |
| AU02AB242 . . . . . | 18 |
| AU11AR241 . . . . . | 18 |

| PART # | PAGE # |
|--------|--------|
|--------|--------|

**C**

|                       |       |
|-----------------------|-------|
| CM090-226 . . . . .   | 20    |
| CM201-968 . . . . .   | 20    |
| CM203-482 . . . . .   | 8     |
| CM203-488 . . . . .   | 20    |
| CM203-633 . . . . .   | 8     |
| CM203-784 . . . . .   | 14    |
| CM203-790 . . . . .   | 6     |
| CM203-791 . . . . .   | 6     |
| CM203-792 . . . . .   | 6     |
| CM203-793 . . . . .   | 6     |
| CM203-801 . . . . .   | 9     |
| CM203-815 . . . . .   | 8     |
| CM203-816 . . . . .   | 8, 10 |
| CM203-818 . . . . .   | 4     |
| CM203-826 . . . . .   | 2     |
| CM203-827 . . . . .   | 2     |
| CM203-828 . . . . .   | 2     |
| CM203-854RO . . . . . | 8     |
| CM203-862 . . . . .   | 4     |
| CM203-872 . . . . .   | 9     |
| CM203-876 . . . . .   | 8     |
| CM203-877 . . . . .   | 8     |
| CM203-880 . . . . .   | 8     |
| CM203-893 . . . . .   | 13    |
| CM203-901 . . . . .   | 2     |
| CM203-904 . . . . .   | 13    |
| CM203-942 . . . . .   | 8     |
| CM203-985 . . . . .   | 20    |
| CM203-986 . . . . .   | 20    |
| CM204-157 . . . . .   | 8     |
| CM204-191 . . . . .   | 2     |
| CM204-194 . . . . .   | 8     |
| CM204-196 . . . . .   | 8     |



# INDEX

| PART #    | PAGE # | PART #    | PAGE # |
|-----------|--------|-----------|--------|
| CM204-337 | 20     | CM288-743 | 6      |
| CM204-338 | 20     | CM288-757 | 8      |
| CM205-126 | 2      | CM288-769 | 2      |
| CM205-148 | 10     | CM288-781 | 2      |
| CM205-166 | 10     | CM288-813 | 8      |
| CM205-167 | 10     | CM288-816 | 8      |
| CM205-184 | 10     | CM288-842 | 4      |
| CM205-202 | 8, 12  | CM288-845 | 8      |
| CM205-210 | 8, 12  | CM288-849 | 2      |
| CM205-211 | 8, 12  | CM288-891 | 2      |
| CM205-223 | 15     | CM288-911 | 3      |
| CM209-083 | 6      | CM288-957 | 20     |
| CM258-021 | 4      | CM973-643 | 20     |
| CM258-198 | 4      | CM983-038 | 13     |
| CM258-514 | 20     | CM983-500 | 16     |
| CM283-048 | 15     | CM983-618 | 14     |
| CM283-117 | 4      | CM993-274 | 20     |
| CM288-655 | 8      | CM993-283 | 20     |
| CM288-670 | 6      | CM993-284 | 20     |
| CM288-699 | 4      |           |        |

# Every driver deserves the best possible vehicle climate with MCC products

MCC provides exceptional performance in mobile climate comfort.



[www.mcc-hvac.com](http://www.mcc-hvac.com)

Member of MCC Group • Certified ISO 9001 and ISO 14001.  
Specifications subject to change without notice. MCC is a registered trademark.