



**SERVICE PARTS**  
**for**  
**68RM35-104/604 MICROMAX**

**T-302PL**

REV. 06/2012



TABLE OF CONTENTS

PARAGRAPH NUMBER		Page
	INTRODUCTION .....	i
	MODEL/SERIAL NUMBER PLATE LOCATION .....	i
	MODEL CHART .....	ii
	ORDERING INSTRUCTIONS .....	iii
	GENERAL NOTES .....	iii
1	UNIT ASSEMBLY - LOCATIONAL VIEW .....	1
2	ELECTRICAL COMPONENTS .....	2
2.1	Electrical Components - Common Parts .....	2
2.2	Electrical Components - Model 68RM35-104-40 .....	4
2.3	Electrical Components - Model 68RM35-104-41 .....	6
2.4	Electrical Components - Models 68RM35-104-42, 604-56, -60, -76 .....	8
2.5	Electrical Components - Models 68RM35-104-43, -45, 604-61, -77, -88, -95 .....	10
2.6	Electrical Components - Model 68RM35-604-41 .....	12
2.7	Electrical Components - Model 68RM35-604-42 .....	14
2.8	Electrical Components - Model 68RM35-604-43 .....	16
2.9	Electrical Components - Models 68RM35-604-44, -53, -65, -73, -81, -94 .....	18
2.10	Electrical Components - Model 68RM35-604-45 .....	20
2.11	Electrical Components - Model 68RM35-604-46 .....	22
2.12	Electrical Components - Model 68RM35-604-47 .....	24
2.13	Electrical Components - Model 68RM35-604-48 .....	26
2.14	Electrical Components - Models 68RM35-604-49, -72 .....	28
2.15	Electrical Components - Models 68RM35-604-50, -51, -58, -74, -90, -92 .....	30
2.16	Electrical Components - Models 68RM35-604-52, -64, -80 .....	32
2.17	Electrical Components - Models 68RM35-604-54, -62, -78 .....	34
2.18	Electrical Components - Models 68RM35-604-55, -68, -84, -91, -93 .....	36
2.19	Electrical Components - Models 68RM35-604-59, -69, -75, -85 .....	38
2.20	Electrical Components - Models 68RM35-604-63, -66, -79, -82 .....	40
2.21	Electrical Components - Models 68RM35-604-67, -83 .....	42
2.22	Electrical Components - Models 68RM35-604-70, -86 .....	44
2.23	Electrical Components - Models 68RM35-604-71, -87 .....	46
2.24	Electrical Components - Models 68RM35-604-96 .....	48
3	ELECTRICAL CONTROL PANELS .....	50
3.1	Electrical Control Panel - Common Parts .....	50
3.2	Electrical Control Panel - Model 68RM35-104-40 .....	52
3.3	Electrical Control Panel - Model 68RM35-104-41 .....	54
3.4	Electrical Control Panel - Models 68RM35-104-42, 604-49, -56, -60, -67, -72, -76, -83 .....	56
3.5	Electrical Control Panel - Models 68RM35-104-43, -45, 604-54, -61, -62, -77, -78, -88, -95 .....	58
3.6	Electrical Control Panel - Model 68RM35-604-41 .....	60
3.7	Electrical Control Panel - Models 68RM35-604-42, 604-43 .....	62
3.8	Electrical Control Panel - Model 68RM35-604-44, -53, -65, -73, -81, -94 .....	64



TABLE OF CONTENTS (Continued)

<b>PARAGRAPH NUMBER</b>		<b>Page</b>
3.9	Electrical Control Panel - Model 68RM35-604-45 .....	66
3.10	Electrical Control Panel - Model 68RM35-604-46 .....	68
3.11	Electrical Control Panel - Model 68RM35-604-47 .....	70
3.12	Electrical Control Panel - Model 68RM35-604-48 .....	72
3.13	Electrical Control Panel - Model 68RM35-604-50, -51, -55, -58, -68, -74, -84, -90, -91, -92, -93, -96 .....	74
3.14	Electrical Control Panel - Model 68RM35-604-52, -64, -80 .....	76
3.15	Electrical Control Panel - Model 68RM35-604-59, -69, -75, -85 .....	78
3.16	Electrical Control Panel - Model 68RM35-604-63, -66, -70, -79, -82, -86 .....	80
3.17	Electrical Control Panel - Model 68RM35-604-71, -87 .....	82
<b>4</b>	<b>COIL KIT .....</b>	<b>84</b>
4.1	Coil Kit - Models 68RM35-104-40, -42, 604-42, -43, -46, -47, -50 .....	84
4.2	Coil Kit - Model 68RM35-104-41 .....	85
4.3	Coil Kit - Models 68RM35-104-43, -45, 604-49, -51, -54, -55, -56, -58, -60, -61, -62, -67, -68, -71, -72, -74, -76, -77, -78, -83, -84, -87, -88, -90, -91, -92, -93, -94, -96 .....	86
4.4	Coil Kit - Models 68RM35-604-41, -44, -45, -48, -52, -53, -59, -63, -64, -65, -66, -69, -70, -73, -75, -79, -80, -81, -82, -85, -86, -95 .....	87
<b>5</b>	<b>REFRIGERANT PIPING KIT - R-22 MODELS .....</b>	<b>88</b>
5.1	Refrigerant Piping Kit - Model 68RM35-104-40 .....	88
5.2	Refrigerant Piping Kit - Model 68RM35-104-41 .....	92
5.3	Refrigerant Piping Kit - Models 68RM35-104-42, -43, -45 .....	96
5.3	Refrigerant Piping Kit - Models 68RM35-104-42, -43, -45 .....	97
<b>6</b>	<b>REFRIGERANT PIPING KIT - R-134a MODELS .....</b>	<b>100</b>
6.1	Refrigerant Piping Kit - Model 68RM35-604-41 .....	100
6.2	Refrigerant Piping Kit - Models 68RM35-604-42, -43, -46, -47 .....	104
6.3	Refrigerant Piping Kits - Models 68RM35-604-44, -65, -81 .....	108
6.4	Refrigerant Piping Kit - Model 68RM35-604-45 .....	112
6.5	Refrigerant Piping Kit - Model 68RM35-604-48 .....	118
6.6	Refrigerant Piping Kit - Models 68RM35-604-49, -72, -96 .....	122
6.7	Refrigerant Piping Kits - Models 68RM35-604-50, -51, -54, -55, -56, -58, -60, -61, -62, -67, -68, -71, -74, -76, -77, -78, -83, -84, -87, -90, -91, -92, -93 .....	126
6.8	Refrigerant Piping Kits - Models 68RM35-604-52, -53, -64, -73, -80, -94 .....	130
6.9	Refrigerant Piping Kits - Models 68RM35-604-59, -63, -66, -69, -70, -75, -79, -82, -85, -86 .....	136
6.10	Refrigerant Piping Kits - Models 68RM35-604-88, -95 .....	140
<b>7</b>	<b>AIR FILTERS .....</b>	<b>144</b>
<b>8</b>	<b>HEATER CONNECTION ASSEMBLY .....</b>	<b>145</b>
8.1	Heater Connection Assembly - Models 68RM35-104-40, -42, 604-42, -43, -46, -47, -50 .....	145
8.2	Heater Connection Assembly - Models 68RM35-104-41, 604-48, -59, -63, -69, -75, -79, -85, .....	146
8.3	Heater Connection Assembly - Models 68RM35-104-43, -45, 604-51, -54, -55, -56, -58, -60, -61, -62, -67, -68, -71, -74, -76, -77, -78, -83, -84, -87, -88, -90, -91, -92, -93, -94, -95 .....	147
8.4	Heater Connection Assembly - Models 68RM35-604-49, -72 .....	148



TABLE OF CONTENTS (Continued)

<b>PARAGRAPH NUMBER</b>	<b>Page</b>
8.5 Heater Connection Assembly - Model 68RM35-604-41 .....	149
8.6 Heater Connection Assembly - Models 68RM35-604-44, -45, -52 -53, -64, -65, -73, -80, -81, -94 .....	150
8.7 Heater Connection Assembly - Models 68RM35-604-66, -70, -82, -86 .....	151
8.8 Heater Connection Assembly - Models 68RM35-604-96 .....	152
8.8 Heater Connection Assembly - Models 68RM35-604-96 .....	153
<b>9 LABELS - GASKETS .....</b>	<b>154</b>
9.1 Labels - Gaskets - Models 68RM35-104-40, -42, 604-42, -43, -46, -47, -50 .....	154
9.2 Labels - Gaskets - Models 68RM35-104-41, 604-48 .....	155
9.3 Labels - Gaskets - Models 68RM35-104-43, -45, 604-49, -51, -54, -55, -56, -58, -60, -61, -62, -67, -68, -71, -72, -74, -76, -77, -78, 83, -84, -87, -88, -90, -91, -92, -93, -95 .....	156
9.4 Labels - Gaskets - Models 68RM35-604-41, -44, -45, -52, -53, -64, -65, -73, -80, -81, -94 .....	157
9.5 Labels - Gaskets - Models 68RM35-604-59, -69, -75, -85 .....	158
9.6 Labels - Gaskets - Models 68RM35-604-63, -66, -70, -79, -82, -86 .....	159
9.7 Labels - Gaskets - Models 68RM35-604-96 .....	160
<b>10 CONDENSER FAN MOTOR ASSEMBLIES .....</b>	<b>161</b>
10.1 Condenser Fan Motor Assemblies Common Parts - All Models .....	161
10.2 Condenser Fan Motor Assemblies - Models 68RM35-104-40, -43, -45, 604-42, -43, -44, -45, -53, -54, -61, -62 -65, -73, -77, -78, -81, -88, -94, -95 .....	162
10.3 Condenser Fan Motor Assemblies - Models 68RM35-104-41, -42, 604-41, -46, -48, -49, -56, -59, -60, -67, -69, -71, -72, -75, -76, -83, -85, -87 .....	162
10.4 Condenser Fan Motor Assemblies - Models 68RM35-604-47, -50, -51, -52, -55, -58, -63, -64, -66, -68, -70, -74, -79, -80, -82. -84, -86, -90, -91, -92, -93, -96 .....	162
<b>11 EVAPORATOR BLOWER ASSEMBLY .....</b>	<b>163</b>
11.1 Evaporator Blower Assembly Common Parts - All Models .....	163
11.2 Evaporator Blower Assembly Models 68RM35-104-40, 604-42, -43 .....	164
11.3 Evaporator Blower Assembly Models 68RM35-104-41, 604-48 .....	164
11.4 Evaporator Blower Assembly Models 68RM35-104-42, 604-46 .....	164
11.5 Evaporator Blower Assembly Model 68RM35-604-41 .....	165
11.6 Evaporator Blower Assembly Model 68RM35-604-44, -45 .....	166
11.7 Evaporator Blower Assembly Models 68RM35-604-47, -50 .....	166
11.8 Evaporator Blower Assembly Models 68RM35-104-43, 604-54 .....	166
11.9 Evaporator Blower Assembly Models 68RM35-104-45, 604-61, -62, -77, -78, -88, -95 .....	167
11.10 Evaporator Blower Assembly Models 68RM35-604-60, -67, -71, -76, -83, -87 .....	168
11.11 Evaporator Blower Assembly Models 68RM35-604-51, -55 .....	168
11.12 Evaporator Blower Assembly Models 68RM35-604-52 .....	168
11.13 Evaporator Blower Assembly Models 68RM35-604-53, -65 -73, -81 .....	169
11.14 Evaporator Blower Assembly Models 68RM35-604-56 .....	170
11.15 Evaporator Blower Assembly Models 68RM35-604-59, -69, -75, -85 .....	171
11.16 Evaporator Blower Assembly Models 68RM35-604-58, -74, -90, -92 .....	172
11.17 Evaporator Blower Assembly Models 68RM35-604-63, -64, -66, -70, -79, -80, -82, -86 .....	172
11.18 Evaporator Blower Assembly Models 68RM35-604-68, -84, -91, -93, -96 .....	172
11.19 Evaporator Blower Assembly Models 68RM35-604-49, -72 .....	173





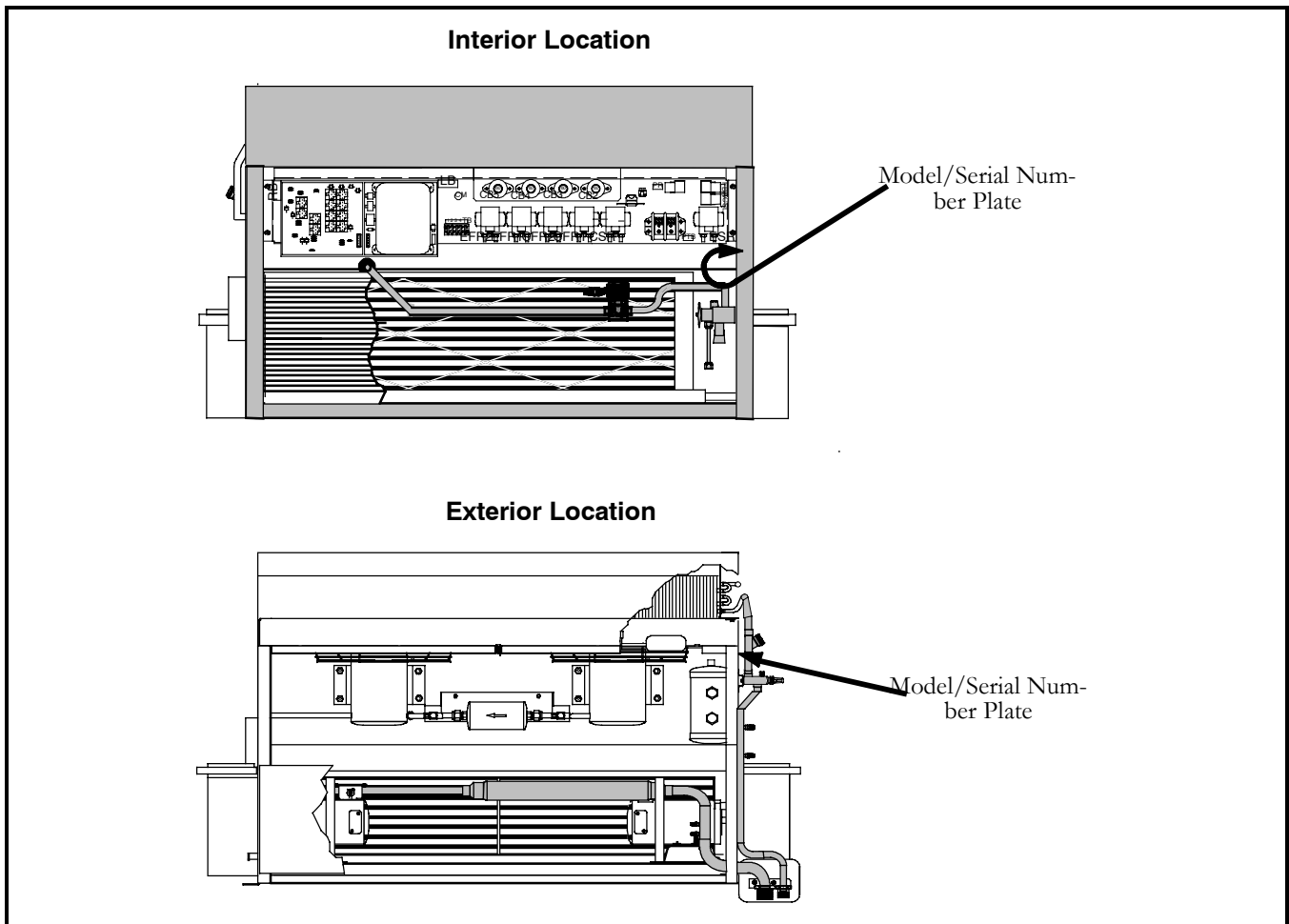
TABLE OF CONTENTS (Continued)

<b>PARAGRAPH NUMBER</b>	<b>Page</b>
12 COMPRESSOR INSTALLATION COMPONENTS . . . . .	174
12.1 Compressor Installation Components - O5K Systems - Common Parts . . . . .	174
12.2 Compressor Installation Components - O5K Systems - 68RM35-604-52, -64 . . . . .	176
12.3 Compressor Installation Components - O5K Systems - 68RM35-604-44, -65 . . . . .	178
12.4 Compressor Installation Components - O5K Systems - 68RM35-604-80 . . . . .	180
12.5 Compressor Installation Components - O5K Systems - 68RM35-604-81 . . . . .	182
12.6 Compressor Installation Components - O5G - R-22 Systems - Common Parts . . . . .	184
12.7 Compressor Installation Components - O5G - R-22 Systems - 68RM35-104-40, -42, -43, -45 . . . . .	186
12.8 Compressor Installation Components - O5G - R-22 Systems - 68RM35-104-41 . . . . .	188
12.9 Compressor Installation Components - O5G - R-134a Systems - Common Parts . . . . .	190
12.10 Compressor Installation Components - O5G - R-134a Systems - 68RM35-604-41 . . . . .	192
12.11 Compressor Installation Components - O5G - R-134a Systems - 68RM35-604-42, -43, -47, -50, -51, -54, -55, -56, -58, -60, -61, -62, -67, -68, -71, -90, -91 . . . . .	194
12.12 Compressor Installation Components - O5G - R-134a Systems - 68RM35-604-45, -53, -88 . . . . .	196
12.13 Compressor Installation Components - O5G - R-134a Systems - 68RM35-604-48, -49, -59, -63, -66, -69, -70 . . . . .	198
12.14 Compressor Installation Components - O5G - R-134a Systems - 68RM35-604-72, -75, -79, -82, -85, -86 . . . . .	200
12.15 Compressor Installation Components - O5G - R-134a Systems - 68RM35-604-73 . . . . .	202
12.16 Compressor Installation Components - O5G - R-134a Systems - 68RM35-604-74, -76, -77, -78, -83, -84, -87 . . . . .	204
12.17 Compressor Installation Components - O5G - R-134a Systems - 68RM35-604-90, -91, -92, -93 . . . . .	206
12.18 Compressor Installation Components - O5G - R-134a Systems - 68RM35-604-94, -95 . . . . .	208
12.19 Compressor Installation Components - O5G - R-134a Systems - 68RM35-604-96 . . . . .	210
13 MICROMATE CONTROL PANEL . . . . .	212
13.1 Micromate Control Panel - 68RM35-604-96 . . . . .	213
PART NUMBER INDEX . . . . .	Index-1

## INTRODUCTION

This parts list identifies service replacement parts for Mobile Climate Control Model 68RM35-104 and Model 68RM35-604 Bus Air Conditioning and Heating systems found in the Model Chart. This parts list contains parts required to modify the standard O5G compressor to these applications.

## MODEL/SERIAL NUMBER PLATE LOCATION





MODEL CHART

Part (Model) Number	Refrigerant	Controller	Thermostat	Filter Material	Evaporator & Condenser Motors
68RM35-104-40	R-22	Micro-Max	Adjustable	(3) Natural Hair	Permanent Magnet
68RM35-104-41	R-22	Micro-Max	Adjustable	Natural Hair	Wound Field
68RM35-104-42	R-22	Micro-Max	Adjustable	Natural Hair	Wound Field
68RM35-104-43	R-22	Micro-Max	Adjustable	Natural Hair	Permanent Magnet
68RM35-104-45	R-22	Micro-Max	Adjustable	Natural Hair	Permanent Magnet

68RM35-604-41	R-134a	Micro-Max	Adjustable	(3) Polyester Fabric	Wound Field & Permanent Magnet
68RM35-604-42	R-134a	Micro-Max	Adjustable	Natural Hair	Brushless
68RM35-604-43	R-134a	Micro-Max	Adjustable	Natural Hair	Permanent Magnet
68RM35-604-44	R-134a	Micro-Max	Adjustable	-	Permanent Magnet
68RM35-604-45	R-134a	Micro-Max	Adjustable	(3) Polyester Fabric	Permanent Magnet
68RM35-604-46	R-134a	Micro-Max	Adjustable	(3) Natural Hair	Wound Field
68RM35-604-47	R-134a	Micro-Max	Adjustable	Natural Hair	Brushless
68RM35-604-48	R-134a	Micro-Max	Adjustable	Natural Hair	Wound Field
68RM35-604-49	R-134a	Micro-Max	Adjustable	Natural Hair	Wound Field
68RM35-604-50	R-134a	Micro-Max	Adjustable	Natural Hair	Brushless
68RM35-604-51	R-134a	Micro-Max	Adjustable	Natural Hair	Brushless
68RM35-604-52	R-134a	Micro-Max	Adjustable	Natural Hair	Brushless
68RM35-604-53	R-134a	Micro-Max	Adjustable	(3) Polyester Fabric	Permanent Magnet
68RM35-604-54	R-134a	Micro-Max	Adjustable	Natural Hair	Permanent Magnet
68RM35-604-55	R-134a	Micro-Max	Adjustable	Natural Hair	Brushless
68RM35-604-56	R-134a	Micro-Max	Adjustable	Natural Hair	Wound Field
68RM35-604-58	R-134a	Micro-Max	Adjustable	Natural Hair	Brushless
68RM35-604-59	R-134a	Micro-Max	Adjustable	Natural Hair	Wound Field
68RM35-604-60	R-134a	Micro-Max	Adjustable	Natural Hair	Wound Field
68RM35-604-61	R-134a	Micro-Max	Adjustable	Natural Hair	Permanent Magnet
68RM35-604-62	R-134a	Micro-Max	Adjustable	Natural Hair	Permanent Magnet
68RM35-604-63	R-134a	Micro-Max	Adjustable	Natural Hair	Brushless
68RM35-604-64	R-134a	Micro-Max	Adjustable	Natural Hair	Brushless
68RM35-604-65	R-134a	Micro-Max	Adjustable	-	Permanent Magnet
68RM35-604-66	R-134a	Micro-Max	Adjustable	Natural Hair	Brushless
68RM35-604-67	R-134a	Micro-Max	Adjustable	Natural Hair	Wound Field
68RM35-604-68	R-134a	Micro-Max	Adjustable	Natural Hair	Brushless
68RM35-604-69	R-134a	Micro-Max	Adjustable	Natural Hair	Wound Field
68RM35-604-70	R-134a	Micro-Max	Adjustable	Natural Hair	Brushless
68RM35-604-71	R-134a	Micro-Max	Adjustable	Natural Hair	Wound Field



**MODEL CHART (Continued)**

<b>Part (Model) Number</b>	<b>Refrigerant</b>	<b>Controller</b>	<b>Thermostat</b>	<b>Filter Material</b>	<b>Evaporator &amp; Condenser Motors</b>
68RM35-604-72	R-134a	Micro-Max	Adjustable	Natural Hair	Wound Field
68RM35-604-73	R-134a	Micro-Max	Adjustable	(3) Polyester Fabric	Permanent Magnet
68RM35-604-74	R-134a	Micro-Max	Adjustable	Natural Hair	Brushless
68RM35-604-75	R-134a	Micro-Max	Adjustable	Natural Hair	Wound Field
68RM35-604-76	R-134a	Micro-Max	Adjustable	Natural Hair	Wound Field
68RM35-604-77	R-134a	Micro-Max	Adjustable	Natural Hair	Permanent Magnet
68RM35-604-78	R-134a	Micro-Max	Adjustable	Natural Hair	Permanent Magnet
68RM35-604-79	R-134a	Micro-Max	Adjustable	Natural Hair	Brushless
68RM35-604-80	R-134a	Micro-Max	Adjustable	Natural Hair	Brushless
68RM35-604-81	R-134a	Micro-Max	Adjustable	-	Permanent Magnet
68RM35-604-82	R-134a	Micro-Max	Adjustable	Natural Hair	Brushless
68RM35-604-83	R-134a	Micro-Max	Adjustable	Natural Hair	Wound Field
68RM35-604-84	R-134a	Micro-Max	Adjustable	Natural Hair	Brushless
68RM35-604-85	R-134a	Micro-Max	Adjustable	Natural Hair	Wound Field
68RM35-604-86	R-134a	Micro-Max	Adjustable	Natural Hair	Brushless
68RM35-604-87	R-134a	Micro-Max	Adjustable	Natural Hair	Wound Field
68RM35-604-88	R-134a	Micro-Max	Adjustable	Natural Hair	Permanent Magnet
68RM35-604-90	R-134a	Micro-Max	Adjustable	Natural Hair	Brushless
68RM35-604-91	R-134a	Micro-Max	Adjustable	Natural Hair	Brushless
68RM35-604-92	R-134a	Micro-Max	Adjustable	Natural Hair	Brushless
68RM35-604-93	R-134a	Micro-Max	Adjustable	Natural Hair	Brushless
68RM35-604-94	R-134a	Micro-Max	Adjustable	(3) Polyester Fabric	Permanent Magnet
68RM35-604-95	R-134a	Micro-Max	Adjustable	Natural Hair	Permanent Magnet
68RM35-604-96	R-134a	Micro-Max	Adjustable	(3) Polyester Fabric	Brushless

**ORDERING INSTRUCTIONS**

All orders and inquiries for parts must include: Unit Serial Number, Part no., description of part as shown on list and quantity required. Parts can be obtained by going to the following website:

[www.mcc-hvac.com](http://www.mcc-hvac.com)



## GENERAL NOTES

To find replacement parts, determine major group in which replacement part is located, consult table of contents for the appropriate page for the illustrated breakdown of the replacement part. The following letter designations are used to classify parts throughout this list.

A/R *As Required*

NSA *Non-Stock Assembly* - order components listed under the assembly.

NSS *Not Sold Separately* - order next higher assembly or kit.

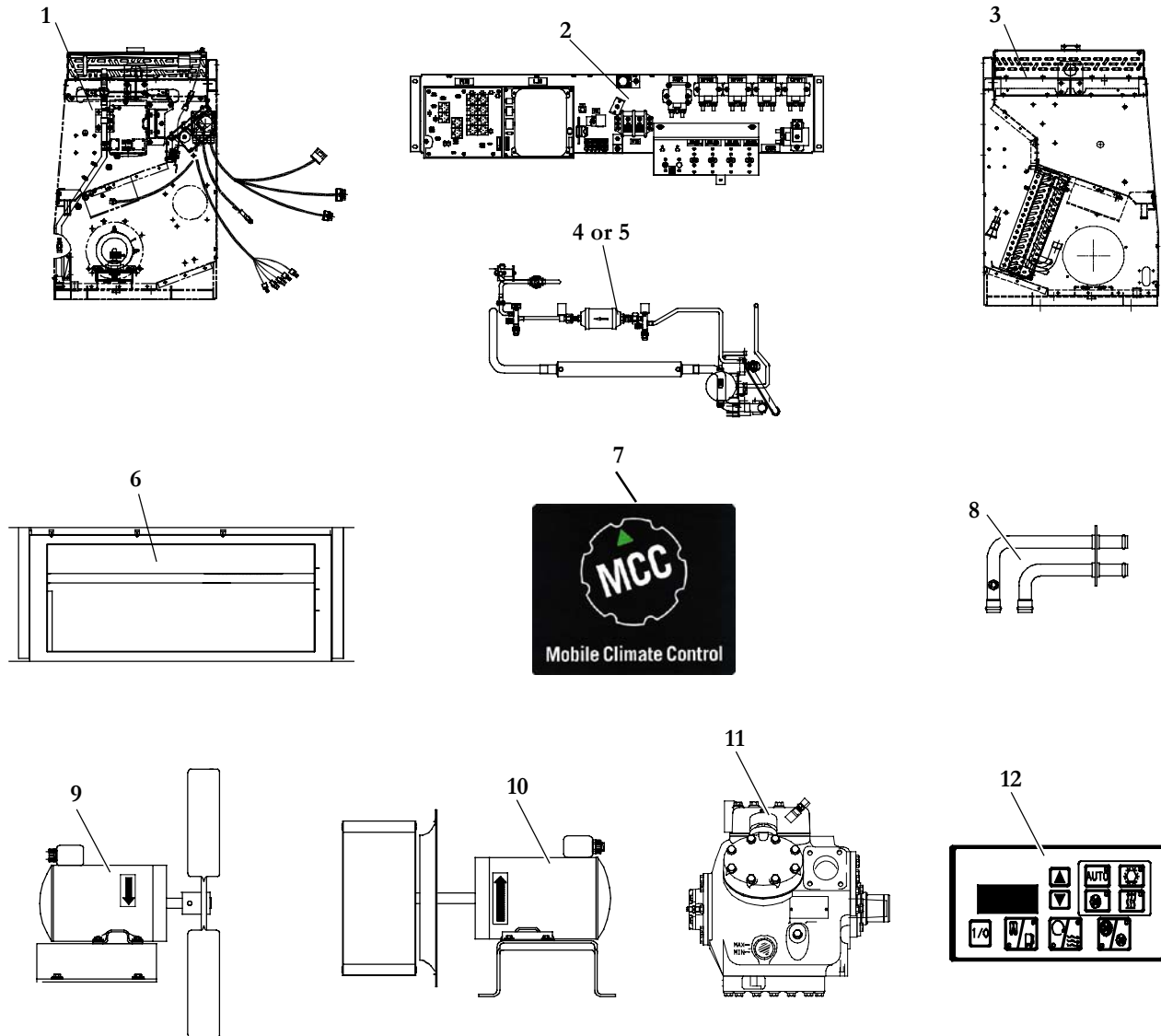
P *Painted*

SST *Stainless Steel* - 300 Series unless otherwise specified.

SV Suffix SV added to part number designates service replacement part.



**1 UNIT ASSEMBLY - LOCATIONAL VIEW**

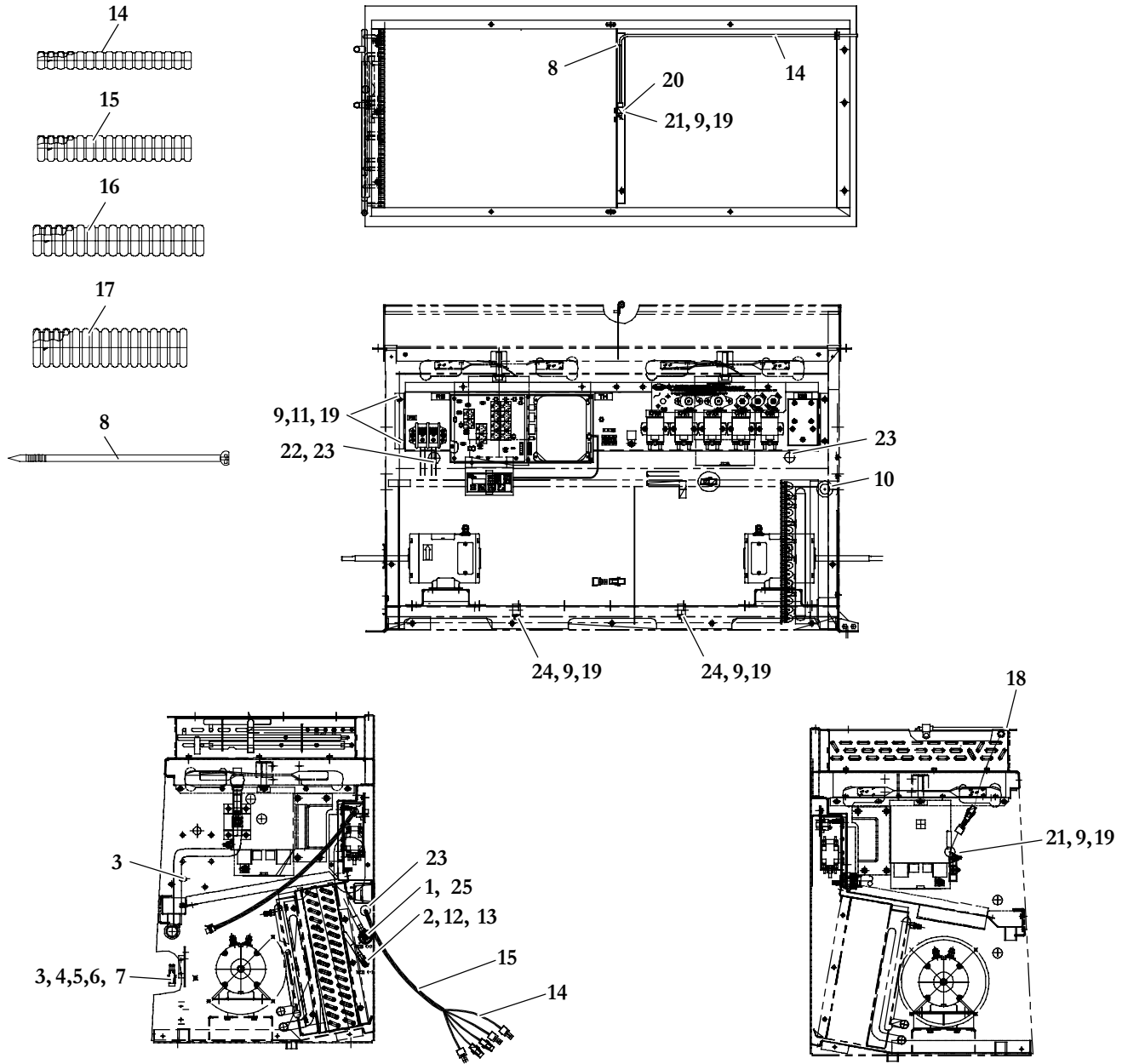


Item	Part Number	Description	Qty
1	-	Electrical Components (Refer to Section 2)	-
2	-	Electrical Control Panels (Refer to Section 3)	-
3	-	Coil Kits (Refer to Section 4)	-
4	-	Refrigerant Piping Kit - R-22 (Refer to Section 5)	-
5	-	Refrigerant Piping Kit - R-134a (Refer to Section 6)	-
6	-	Air Filters (Refer to Section 7)	-
7	-	Label - Gaskets (Refer to Section 9)	-
8	-	Heater Connection Assembly (Refer to Section 8)	-
9	-	Condenser Fan and Motor (Refer to Section 10)	-
10	-	Evaporator Fan and Motor (Refer to Section 11)	-
11	-	Compressor Components (Refer to Section 12)	-
12	-	Micromate Control Panel (Refer to Section 13)	-



**2 ELECTRICAL COMPONENTS**

**2.1 Electrical Components - Common Parts**



Item	Part Number	Description	Qty
1	10-00315-00	Stud, Battery Connection, 3/8-16 x 2.07 Inches Long, Brass	1
2	34-06095-01	Stud, Battery Connection, 3/8-16 x 2.25 Inches Long, Brass	1
3	12-00352-00	Transducer, Pressure, Suction/Discharge	2
4	22-02448-00SV	Connector Package, Female - Includes:	2
5	NSS	Connector, Female, Black, 3 Pin	1
6	22-50078-76B	Terminal, Female (16-18 AWG)	3
7	22-62005-00	Terminal, Contact, Female	6



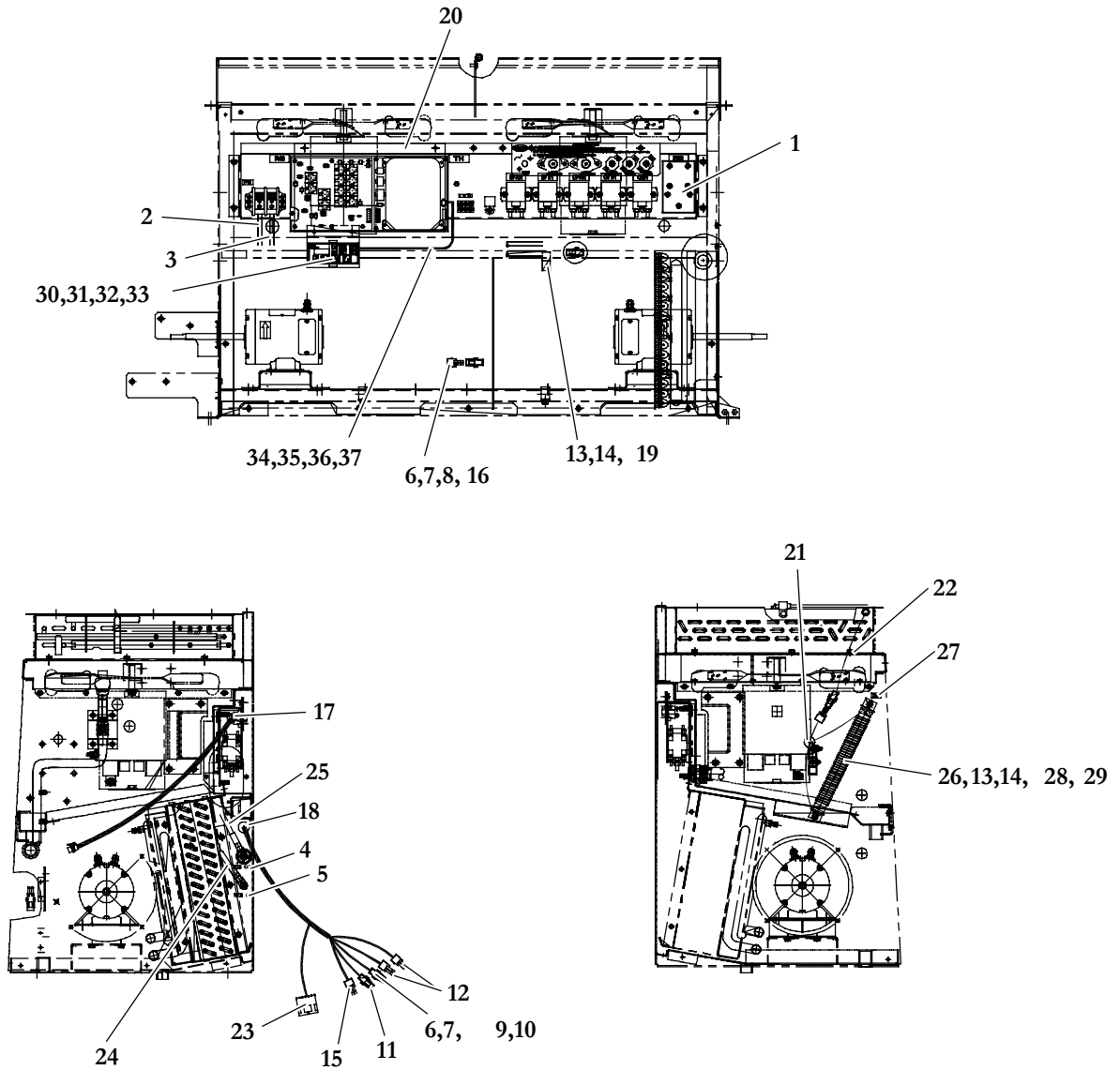


<b>2.1 Electrical Components - Common Parts (Continued)</b>			
<b>Item</b>	<b>Part Number</b>	<b>Description</b>	<b>Qty</b>
8	66U1-3882	Wire Tie, Self-Locking, 7.00 Inches	A/R
9	34-00655-06	Screw, Cap, Hex Head, 1/4-20 x 3/4 Inch Long, SST	A/R
10	58-00065-87	Grommet, 1.12 ID x 1.44 Hole, 0.156 Inch Groove	1
11	34-00662-11	Washer, Flat, 1/4 Inch, SST	A/R
12	34-00879-03	Nut, Hex, Jam, 3/8-16, Brass	4
13	34-00938-13	Washer, Lock, Internal Tooth, 3/8, Silicone Bronze	4
14	58-00858-00	Tubing, Split, Corrugated, 1/4 Inch ID x 25 Feet Long	A/R
15	58-00848-00	Tubing, Split, Corrugated, 1/2 Inch ID x 25 Feet Long	A/R
16	58-62171-00	Tubing, Split, Corrugated, 0.88 Inch ID x 50 Feet Long	A/R
17	58-00850-00	Tubing, Split, Corrugated, 1.00 Inch ID x 75 Feet Long	A/R
18	58-00065-49	Grommet, 0.38 ID x 0.56 Hole, 0.12 Inch Groove	1
19	34-00663-11	Washer, Split Lock, 1/4 Inch, SST	A/R
20	12-00495-02SV	Thermistor Kit, Ambient Air Sensor (Replacement For 12-00305-04)	1
21	34-00373-03	Clamp, Tube, Neoprene Cushion, 0.38 Inch Diameter	3
22	22-02301-03	Tubing, Spiral, Flexible, 3/4 Inch Closed (100 Feet Roll)	A/R
23	22-02302-03	Connector, Liquid Tight, 3/4 Inch	3
24	34-00373-13	Clamp, Tube, Neoprene Cushion, 1.00 Inch Diameter	2
25	34-62001-00	Washer, Nylon, Red	1



2.2 Electrical Components - Model 68RM35-104-40

Kit 68RM35-131-30



Note: Common Parts Are Listed In Section 2.1

Item	Part Number	Description	Qty
1	68RM35-168-23	Panel Assembly, Electrical (See Section 3.2)	1
2	68RM55-209-10	Cable Assembly, Battery, Black x 15.00 Inches Long	1
3	68RM55-210-11	Cable Assembly, Battery, Red x 12.00 Inches Long	1
4	62-62041-04	Label, POS +	1
5	62-62041-05	Label, NEG -	1
6	22-02392-00SV	Connector Kit, 2 Pin - Includes:	4
7	NSS	Connector, 2 Pin, Black	1
8	22-02393-00	Terminal, Male (14-16 AWG)	2

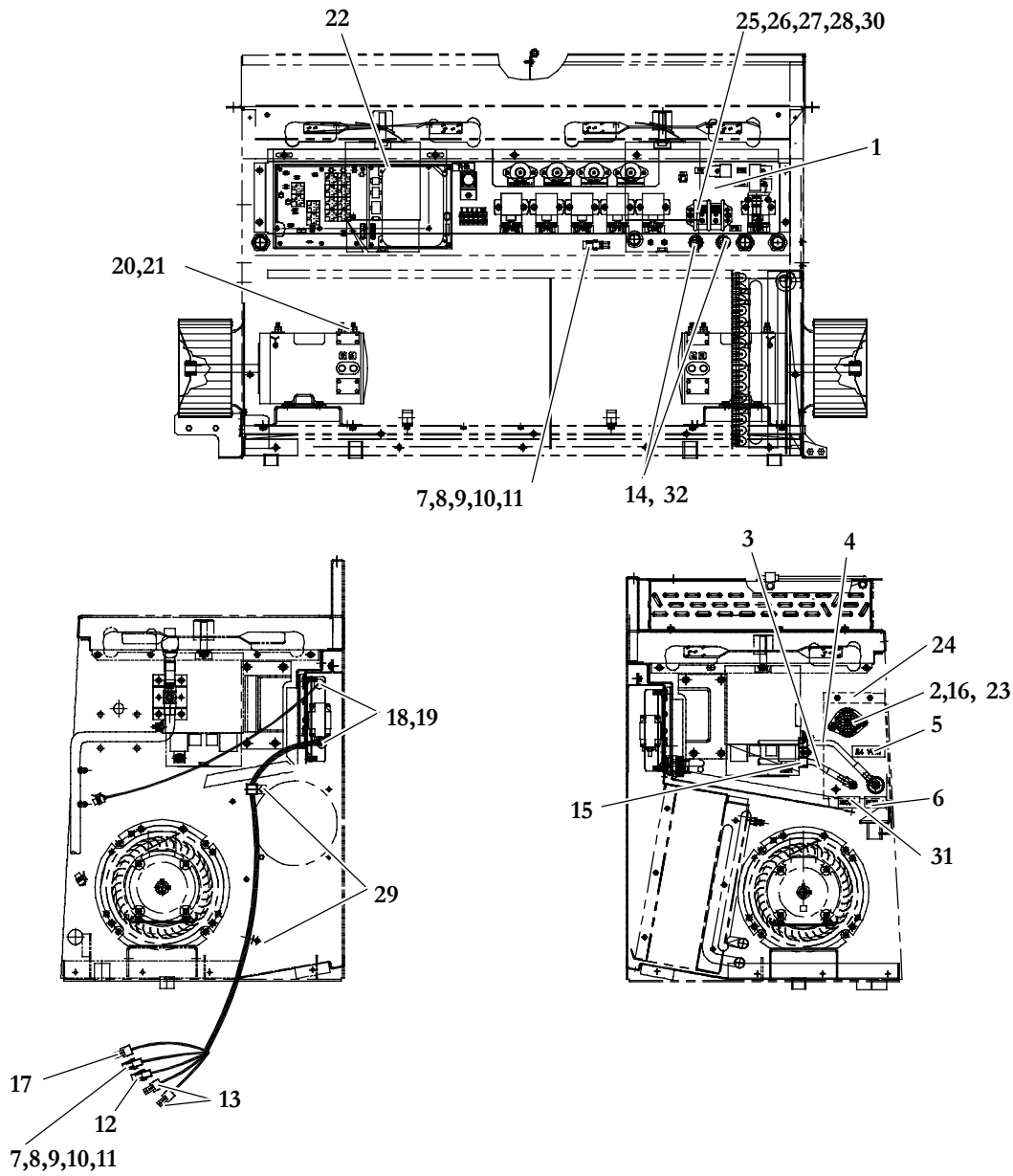


<b>2.2 Electrical Components - Model 68RM35-104-40 (Continued)</b>			
<b>Item</b>	<b>Part Number</b>	<b>Description</b>	<b>Qty</b>
9	22-02393-01	Terminal, Male (18-20 AWG)	2
10	22-02394-01	Seal, Cable	2
11	22-02392-01	Connector, 2 Pin, Medium Gray	1
12	22-01585-02	Connector, Male, 2 Pin, Gray	2
13	34-06179-01	Bolt, Hex Head, Slotted, SEMS, #10-24 x 1/2 Inch Long, SST	3
14	34-00662-09	Washer, Plain, #10, .032 Thick, SST	3
15	22-01585-00SK	Connector, Male, 2 Pin, Black	3
16	22-02394-00	Seal, Cable, Gray (0.11 - 0.14 Cable OD)	2
17	22-02302-02	Connector, Liquid Tight, 1/2 Inch	1
18	58-62124-00	Tubing, Spiral, Flexible, 1/2 Inch Closed (100 Feet Roll)	1
19	34-00663-09	Washer, Split Lock, #10, SST	1
20	68-62320-00	Cover, Relay Board, Painted	1
21	58-00065-85	Grommet, 0.88 ID x 1.12 Hole, 0.09 Inch Groove	1
22	44-00102-51	Clamp, Tube, 1/2 Inch OD, With Neoprene Cushion, SST	1
23	22-02392-02	Connector, Female, 6 Pin, Black	1
24	22-62017-00	Cable Assembly, Battery, Black	1
25	22-62018-00	Cable Assembly, Battery, Red	1
26	22-01584-00	Resistor, 420 Watts, With Mounting Brackets	1
27	62-62041-17	Label, DR1	1
28	34-00667-09	Nut, Hex, Self-Locking #10-24, SST	2
29	22-00872-01	Terminal, Ring, #10, #8 AWG, Red Vinyl	2
30	12-00391-03	Module, Drivers Display (Micromate Control Panel)	1
31	68-62125-00	Clamp, Retaining, Temperature Module, Painted	1
32	68-62402-00	Bracket, Mounting, Drivers Display, Painted	1
33	34-00667-07	Nut, Hex, Self-Locking, #06-32, SST	1
34	22-62063-00	Harness, A/C Control, 17.00 Inches Long - Includes:	1
35	22-62026-00	Connector, Plug, 6 Position	1
36	22-50145-00	Connector, Plug, 4 Position	1
37	22-50152-00	Terminal, Female Receptacle (16-26 AWG)	10



2.3 Electrical Components - Model 68RM35-104-41

Kit 68RM35-131-34



Note: Common Parts Are Listed In Section 2.1

Item	Part Number	Description	Qty
1	68RM35-168-27	Panel Assembly, Electrical (See Section 3.3)	1
2	22-01565-00	Connector, Male, 22 Pin	1
3	68RM55-209-8	Cable Assembly, Battery, Black x 31.00 Inches Long	1
4	68RM55-210-9	Cable Assembly, Battery, Red x 31.00 Inches Long	1
5	62-62041-06	Label, <b>24 VOLT</b>	1
6	62-62041-04	Label, <b>POS +</b>	1
7	22-02392-00SV	Connector Kit, 2 Pin - Includes:	2
8	<b>NSS</b>	Connector, 2 Pin, Black	1

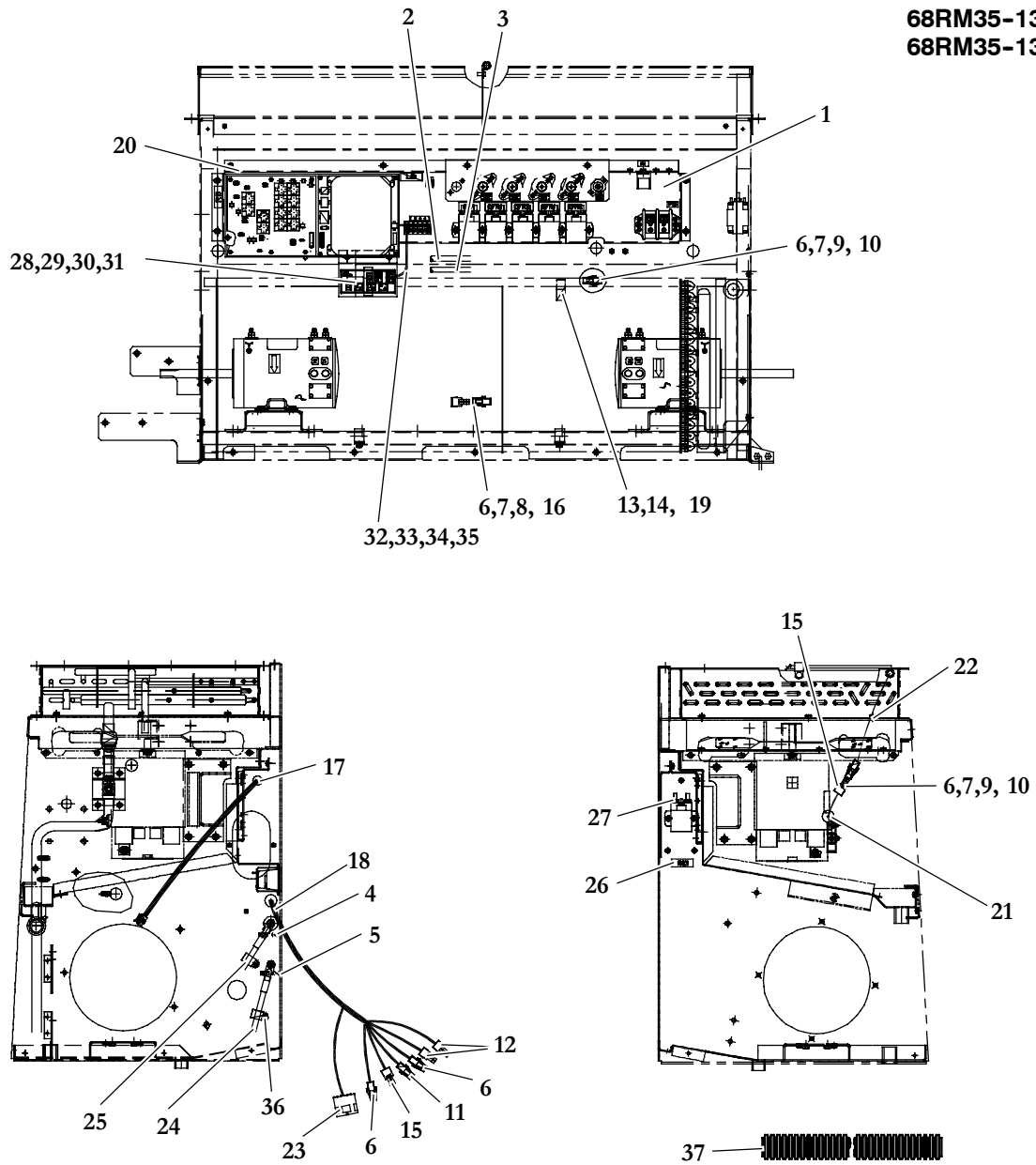


<b>2.3 Electrical Components - Model 68RM35-104-41 (Continued)</b>			
<b>Item</b>	<b>Part Number</b>	<b>Description</b>	<b>Qty</b>
9	22-02393-00	Terminal, Male (14-16 AWG)	2
10	22-02393-01	Terminal, Male (18-20 AWG)	2
11	22-02394-01	Seal, Cable	2
12	22-02392-01	Connector, 2 Pin, Medium Gray	1
13	22-01585-02	Connector, Male, 2 Pin, Gray	2
14	34-01268-01	Washer, Sealing, 1/2 NPT	2
15	34-00373-07	Clamp, Tube, Neoprene Cushion, 0.625 Inch Diameter	4
16	34-00666-11	Nut, Hex, 1/4-20 Inch, SST	2
17	22-01585-00SK	Connector, Male, 2 Pin, Black	1
18	22-02302-02	Connector, Liquid Tight, 1/2 Inch	2
19	58-62124-00	Tubing, Spiral, Flexible, 1/2 Inch Closed (100 Feet Roll)	1
20	AC201-244	Butt Connector, Crimp & Seal, 14-16 AWG	8
21	AC202-209	Tubing, Heat Shrink, 3/16 With Adhesive	2
22	68-62320-00	Cover, Relay Board, Painted	1
23	22-50078-09A	Lock, Secondary	2
24	68-62182-00	Cover, Painted	1
25	34-01279-13	Washer, Flat, 3/8, Grade 8, Zinc	2
26	34-00938-14	Washer, Lock, Internal Tooth, 7/16, Brass	2
27	34-00704-06	Screw, Cap, Hex Head, 7/16-20 x 3/4 Inch Long, Grade 8	2
28	22-62015-00	Terminal, Ring, #2 AWG, 1/2 Inch Stud	2
29	44-00102-51	Clamp, Tube, 1/2 Inch OD, With Neoprene Cushion, SST	2
30	66U1-2583-42	Tubing, Heat Shrink, 3/4 x 3.00 Inches Long	3
31	62-62041-05	Label, <b>NEG -</b>	1
32	22-01173-13	Connector, Straight, Liquid Tight	2



2.4 Electrical Components - Models 68RM35-104-42, 604-56, -60, -76

Kits 68RM35-131-37  
68RM35-131-57  
68RM35-131-73



Note: Common Parts Are Listed In Section 2.1

Item	Part Number	Description	Qty
1	68RM35-168-31	Panel Assembly, Electrical, 68RM35-104-42, 604-56, -60 (See Section 3.4)	1
	68RM35-168-41	Panel Assembly, Electrical, 68RM35-604-76 (See Section 3.4)	
2	68RM55-209-14	Cable Assembly, Battery, Black x 50.00 Inches Long	1
3	22-62186-00	Cable Assembly, Battery, Red x 50.00 Inches Long	1
4	62-62041-04	Label, POS +	1
5	62-62041-05	Label, NEG -	1
6	22-02392-00SV	Connector Kit, 2 Pin - Includes:	4



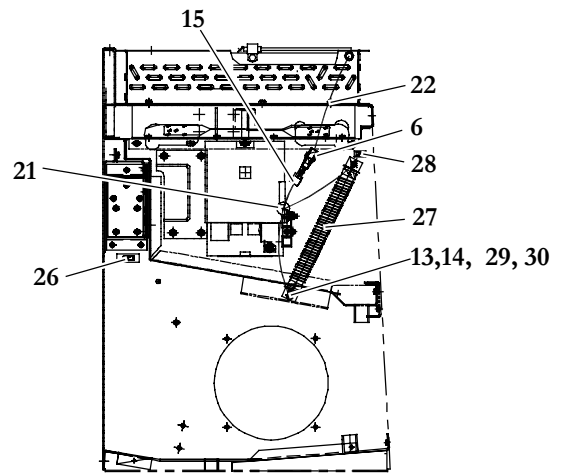
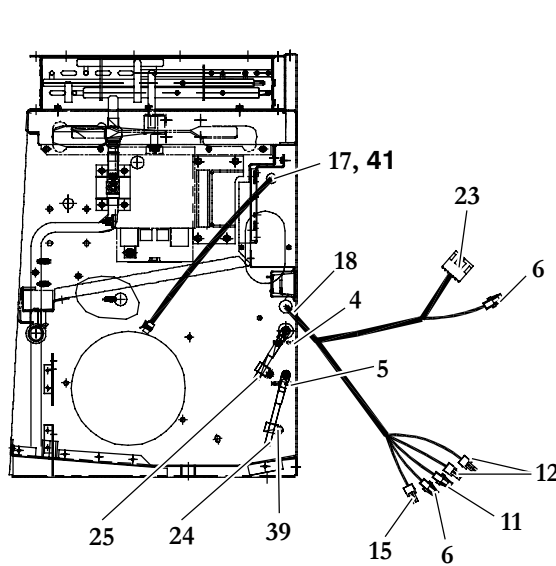
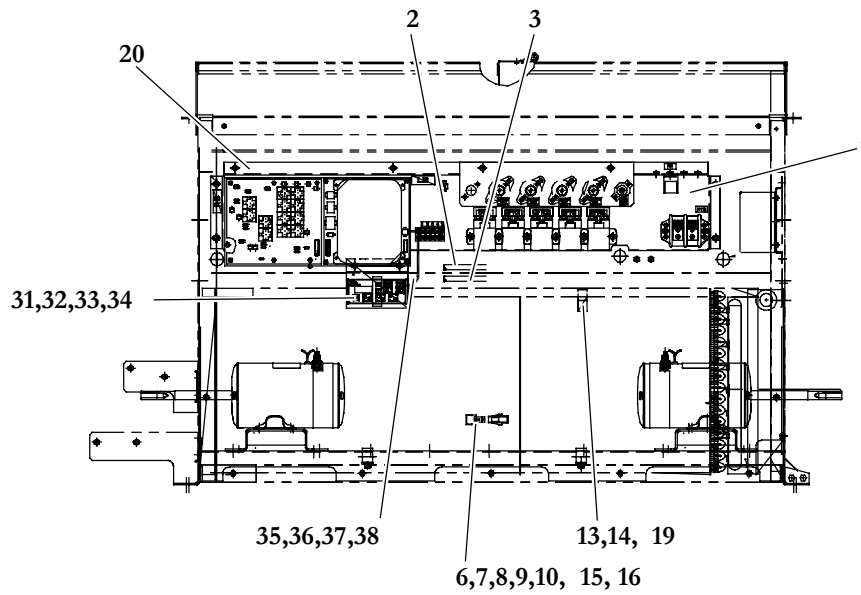
<b>2.4 Electrical Components - Models 68RM35-104-42, 604-56, -60, -76 (Continued)</b>			
<b>Item</b>	<b>Part Number</b>	<b>Description</b>	<b>Qty</b>
7	NSS	Connector, 2 Pin, Black	1
8	22-02393-00	Terminal, Male (14-16 AWG)	2
9	22-02393-01	Terminal, Male (18-20 AWG)	2
10	22-02394-01	Seal, Cable	2
11	22-02392-01	Connector, 2 Pin, Medium Gray	1
12	22-01585-02	Connector, Male, 2 Pin, Gray	2
13	34-06179-01	Bolt, Hex Head, Slotted, SEMS, #10-24 x 1/2 Inch Long, SST	1
14	34-00662-09	Washer, Plain, #10, 0.032 Thick, SST	1
15	22-01585-00SK	Connector, Male, 2 Pin, Black	3
16	22-02394-00	Seal, Cable, Gray (0.11 - 0.14 Cable OD)	2
17	22-02302-02	Connector, Liquid Tight, 1/2 Inch	1
18	58-62124-00	Tubing, Spiral, Flexible, 1/2 Inch Closed (100 Feet Roll)	1
19	34-00663-09	Washer, Split Lock, #10, SST	1
20	68-62320-00	Cover, Relay Board, Painted	1
21	58-00065-85	Grommet, 0.88 ID x 1.12 Hole, 0.09 Inch Groove	1
22	44-00102-51	Clamp, Tube, 1/2 Inch OD, With Neoprene Cushion, SST	1
23	22-02392-02	Connector, Female, 6 Pin, Black	1
24	22-62017-00	Cable Assembly, Battery, Black	1
25	22-62018-00	Cable Assembly, Battery, Red, #2 AWG x 102 Inches Long (Models -42, -56, -76 Only)	1
	22-62018-01	Cable Assembly, Battery, Red, #2 AWG x 118 Inches Long (Model -60 Only)	
26	62-62041-22	Label, <b>ESR</b>	1
27	22-00121-27	Terminal, Ring, #10, 22-16 AWG, Red Vinyl	2
28	12-00391-03	Module, Drivers Display (Micromate Control Panel)	1
29	68-62125-00	Clamp, Retaining, Temperature Module, Painted	1
30	68-62402-00	Bracket, Mounting, Drivers Display, Painted	1
31	34-00667-07	Nut, Hex, Self-Locking, #06-32, SST	1
32	22-62063-00	Harness, A/C Control, 17.00 Inches Long - Includes:	1
33	22-62026-00	Connector, Plug, 6 Position	1
34	22-50145-00	Connector, Plug, 4 Position	1
35	22-50152-00	Terminal, Female Receptacle (16-26 AWG)	10
36	44-00102-06	Clamp, Tube, 7/8 Inch OD, With Neoprene Cushion, SST	2
37	58-01368-00	Tubing, Spiral, Corrugated, 1/2 Inch Closed Red (25 Feet Roll)	A/R





2.5 Electrical Components - Models 68RM35-104-43, -45, 604-61, -77, -88, -95

Kits 68RM35-131-43  
68RM35-131-63  
77-00247-06



Note: Common Parts Are Listed In Section 2.1

Item	Part Number	Description	Qty
1	68RM35-168-35	Panel Assembly, Electrical, 68RM35-104-43, -45, 604-61, -88 (See Section 3.5)	1
	68RM35-168-45	Panel Assembly, Electrical, 68RM35-604-77 (See Section 3.5)	
	91-01167-03	Panel Assembly, Electrical, 68RM35-604-95 (See Section 3.5)	
2	68RM55-209-14	Cable Assembly, Battery, Black x 50.00 Inches Long	1
3	22-62186-00	Cable Assembly, Battery, Red x 50.00 Inches Long	1
4	62-62041-04	Label, POS +	1
5	62-62041-05	Label, NEG -	1

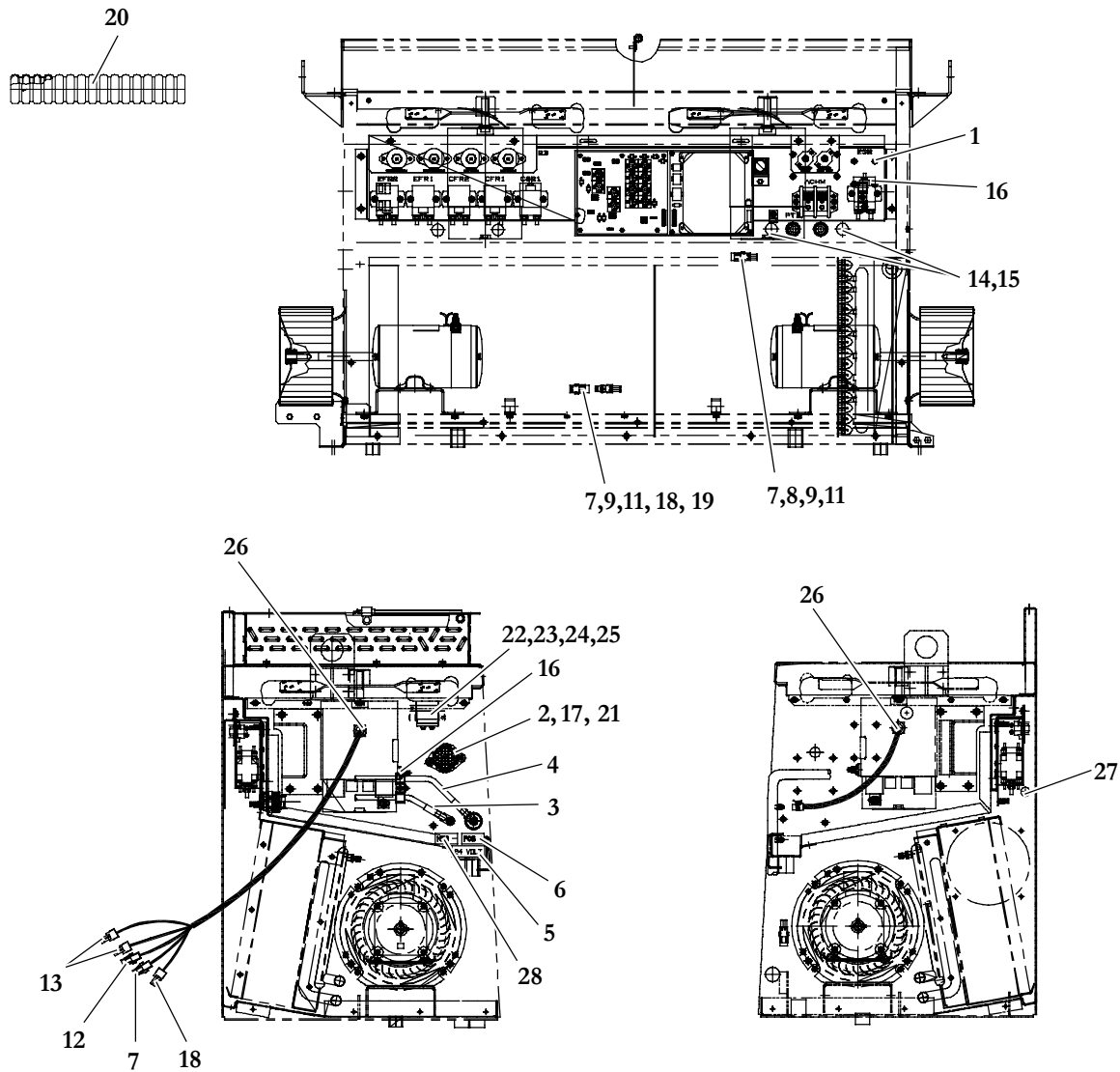


<b>2.5 Electrical Components - Models 68RM35-104-43, -45, 604-61, -77, -88, -95 (Continued)</b>			
<b>Item</b>	<b>Part Number</b>	<b>Description</b>	<b>Qty</b>
6	22-02392-00SV	Connector Kit, 2 Pin - Includes:	A/R
7	<b>NSS</b>	Connector, 2 Pin, Black	1
8	22-02393-00	Terminal, Male (14-16 AWG)	2
9	22-02393-01	Terminal, Male (18-20 AWG)	2
10	22-02394-01	Seal, Cable	2
11	22-02392-01	Connector, 2 Pin, Medium Gray	1
12	22-01585-02	Connector, Male, 2 Pin, Gray	2
13	34-06179-01	Bolt, Hex Head, Slotted, SEMS, #10-24 x 1/2 Inch Long, SST	3
14	34-00662-09	Washer, Plain, #10, 0.032 Thick, SST	5
15	22-01585-00SK	Connector, Male, 2 Pin, Black	3
16	22-02394-00	Seal, Cable, Gray (0.11 - 0.14 Cable OD)	2
17	22-02302-02	Connector, Liquid Tight, 1/2 Inch	1
18	58-62124-00	Tubing, Spiral, Flexible, 1/2 Inch Closed (100 Feet Roll)	1
19	34-00663-09	Washer, Split Lock, #10, SST	1
20	68-62320-00	Cover, Relay Board, Painted	1
21	58-00065-85	Grommet, 0.88 ID x 1.12 Hole, 0.09 Inch Groove	1
22	44-00102-51	Clamp, Tube, 1/2 Inch OD, With Neoprene Cushion, SST	1
23	22-02392-02	Connector, Female, 6 Pin, Black	1
24	22-62017-00	Cable Assembly, Battery, Black	1
25	22-62018-00	Cable Assembly, Battery, Red	1
26	62-62041-22	Label, <b>ESR</b>	1
27	22-01584-00	Resistor, 420 Watts, With Mounting Brackets	1
28	62-62041-17	Label, <b>DRI</b>	1
29	34-00667-09	Nut, Hex, Self-Locking #10-24, SST	2
30	22-00872-01	Terminal, Ring, #10, #8 AWG, Red Vinyl	2
31	12-00391-03	Module, Drivers Display (Micromate Control Panel)	1
32	68-62125-00	Clamp, Retaining, Temperature Module, Painted	1
33	68-62402-00	Bracket, Mounting, Drivers Display, Painted	1
34	34-00667-57	Nut, Hex, Self-Locking, #06-32, SST	1
35	22-62063-00	Harness, A/C Control, 17.00 Inches Long - Includes:	1
36	22-62026-00	Connector, Plug, 6 Position	1
37	22-50145-00	Connector, Plug, 4 Position	1
38	22-50152-00	Terminal, Female Receptacle (16-26 AWG)	10
39	44-00102-06	Clamp, Tube, 7/8 Inch OD, With Neoprene Cushion, SST	2
40	58-01368-00	Tubing, Spiral, Corrugated, 1/2 Inch Closed Red (25 Feet Roll)	A/R
41	AC202-210	Tubing, Flexible, 1/2 Inch Closed Black (25 Feet Roll)	1



2.6 Electrical Components - Model 68RM35-604-41

Kit 68RM35-131-19



Note: Common Parts Are Listed In Section 2.1

Item	Part Number	Description	Qty
1	68RM35-168-12	Panel Assembly, Electrical (See Section 3.6)	1
2	22-01565-00	Connector, Male, 22 Pin	1
3	68RM55-209-3	Cable Assembly, Battery, Black x 34.00 Inches Long	1
4	68RM55-210-3	Cable Assembly, Battery, Red x 34.00 Inches Long	1
5	62-62041-06	Label, <b>24 VOLT</b>	1
6	62-62041-04	Label, <b>POS +</b>	1
7	22-02392-00SV	Connector Kit, 2 Pin - Includes:	3
8	<b>NSS</b>	Connector, 2 Pin, Black	1

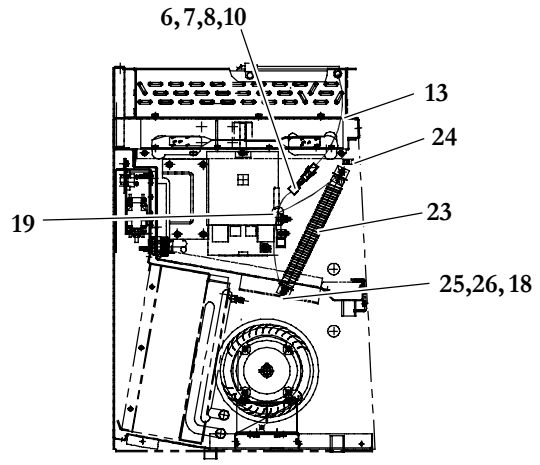
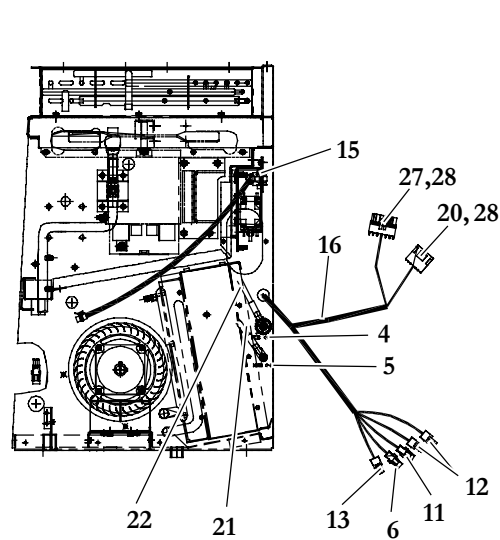
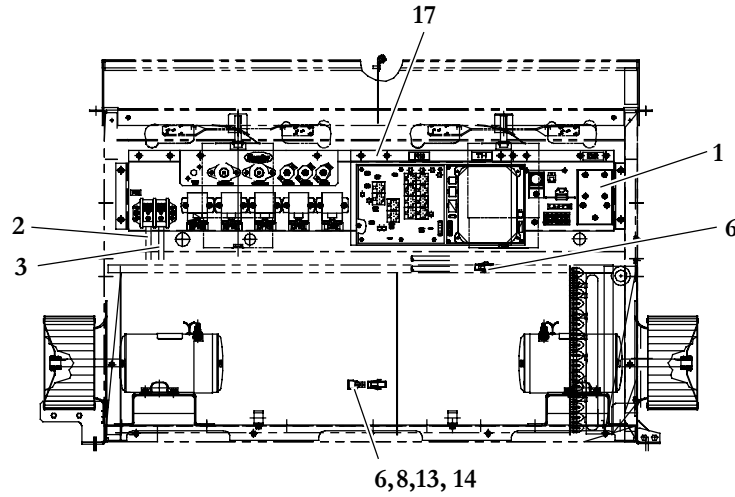


<b>2.6 Electrical Components - Model 68RM35-604-41 (Continued)</b>			
<b>Item</b>	<b>Part Number</b>	<b>Description</b>	<b>Qty</b>
9	22-02393-00	Terminal, Male (14-16 AWG)	2
10	22-02393-01	Terminal, Male (18-20 AWG)	2
11	22-02394-01	Seal, Cable	2
12	22-02392-01	Connector, 2 Pin, Medium Gray	1
13	22-01585-02	Connector, Male, 2 Pin, Gray	2
14	22-01173-13	Connector, Straight, Liquid Tight	2
15	34-01268-01	Washer, Sealing, 1/2 NPT	2
16	34-00373-07	Clamp, Tube, Neoprene Cushion, 0.625 Inch Diameter	4
17	34-00666-11	Nut, Hex, 1/4-20 Inch, SST	2
18	22-01585-00SK	Connector, Male, 2 Pin, Black	2
19	22-02394-00	Seal, Cable, Gray (0.11 - 0.14 Cable OD)	2
20	58-00906-00	Tubing, Split, Corrugated, 3/4 Inch ID x 25 Feet Long	1
21	22-50078-09A	Lock, Secondary	2
22	AC201-634	Capacitor, 50V	1
23	44-62000-00	Clamp, Saddle, 2.00 Inch	1
24	34-06264-04	Bolt, Hex Head Washer, Slotted, #8-32 x 1/2 Inch Long, SST	2
25	34-00663-08	Washer, Split Lock, #8, SST	2
26	58-00065-85	Grommet, 0.88 ID x 1.12 Hole, 0.09 Inch Groove	2
27	58-04040-00	Plug, Button, 7/8 Inch Diameter Hole	1
28	62-62041-05	Label, <b>NEG</b> -	1



2.7 Electrical Components - Model 68RM35-604-42

Kit 68RM35-131-20



Note: Common Parts Are Listed In Section 2.1

Item	Part Number	Description	Qty
1	68RM35-168-13	Panel Assembly, Electrical (See Section 3.7)	1
2	68RM55-209-10	Cable Assembly, Battery, Black x 15.00 Inches Long	1
3	68RM55-210-11	Cable Assembly, Battery, Red x 12.00 Inches Long	1
4	62-62041-04	Label, POS +	1
5	62-62041-05	Label, NEG -	1
6	22-02392-00SV	Connector Kit, 2 Pin - Includes:	4
7	NSS	Connector, 2 Pin, Black	1
8	22-02393-00	Terminal, Male (14-16 AWG)	2

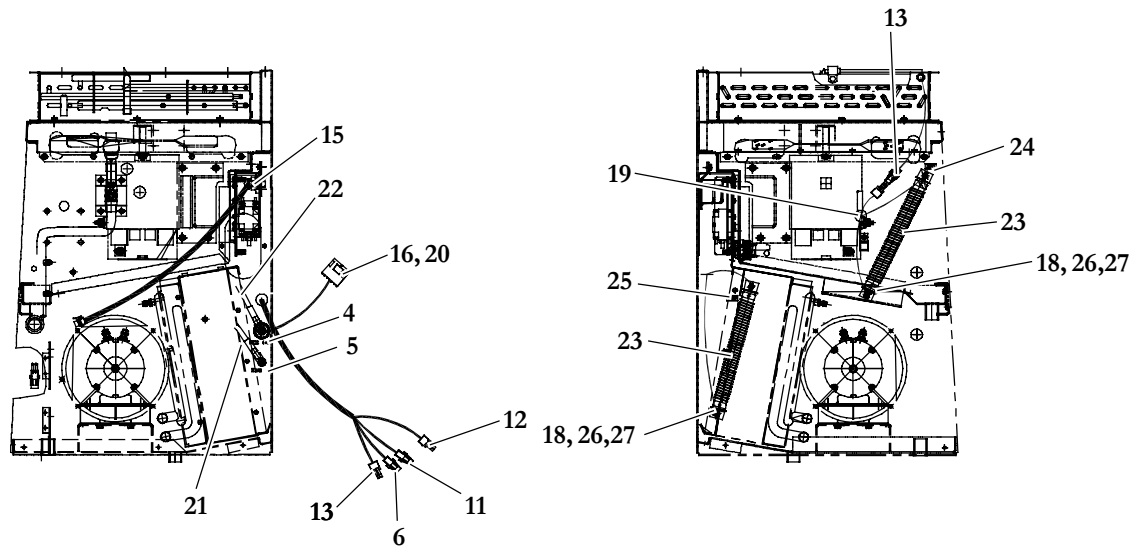
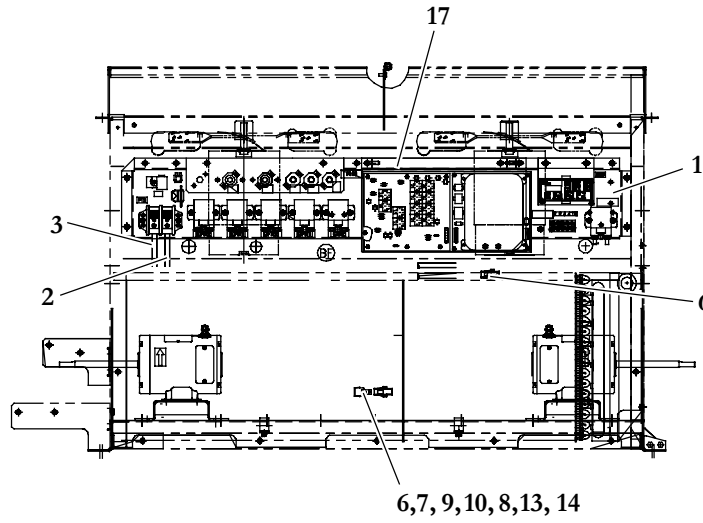


<b>2.7 Electrical Components - Model 68RM35-604-42 (Continued)</b>			
<b>Item</b>	<b>Part Number</b>	<b>Description</b>	<b>Qty</b>
9	22-02393-01	Terminal, Male (18-20 AWG)	2
10	22-02394-01	Seal, Cable	2
11	22-02392-01	Connector, 2 Pin, Medium Gray	1
12	22-01585-02	Connector, Male, 2 Pin, Gray	2
13	22-01585-00SK	Connector, Male, 2 Pin, Black	3
14	22-02394-00	Seal, Cable, Gray (0.11 - 0.14 Cable OD)	2
15	22-02302-02	Connector, Liquid Tight, 1/2 Inch	1
16	58-62124-00	Tubing, Spiral, Flexible, 1/2 Inch Closed (100 Feet Roll)	1
17	68-62320-00	Cover, Relay Board, Painted	1
18	66U1-5371-7	Screw, Cap, Hex Head Slotted, #10-24 x 1/2 Inch Long, SST	2
19	58-00065-85	Grommet, 0.88 ID x 1.12 Hole, 0.09 Inch Groove	1
20	22-02392-02	Connector, Female, 6 Pin, Black	1
21	22-62017-00	Cable Assembly, Battery, Black	1
22	22-62018-00	Cable Assembly, Battery, Red	1
23	22-01584-00	Resistor, 420 Watts, With Mounting Brackets	1
24	62-62041-17	Label, <b>DRI</b>	1
25	34-00667-09	Nut, Hex, Self-Locking #10-24, SST	2
26	22-00872-01	Terminal, Ring, #10, #8 AWG, Red Vinyl	2
27	22-01585-03	Connector, 6 Position, Male	1
28	22-01565-01	Plug, Terminal Cavity	2



2.8 Electrical Components - Model 68RM35-604-43

Kit 68RM35-131-25



Note: Common Parts Are Listed In Section 2.1

Item	Part Number	Description	Qty
1	68RM35-168-18	Panel Assembly, Electrical (See Section 3.7)	1
2	68RM55-209-10	Cable Assembly, Battery, Black x 15.00 Inches Long	1
3	68RM55-210-11	Cable Assembly, Battery, Red x 12.00 Inches Long	1
4	62-62041-04	Label, POS +	1
5	62-62041-05	Label, NEG -	1
6	22-02392-00SV	Connector Kit, 2 Pin - Includes:	4
7	NSS	Connector, 2 Pin, Black	1
8	22-02393-00	Terminal, Male (14-16 AWG)	2



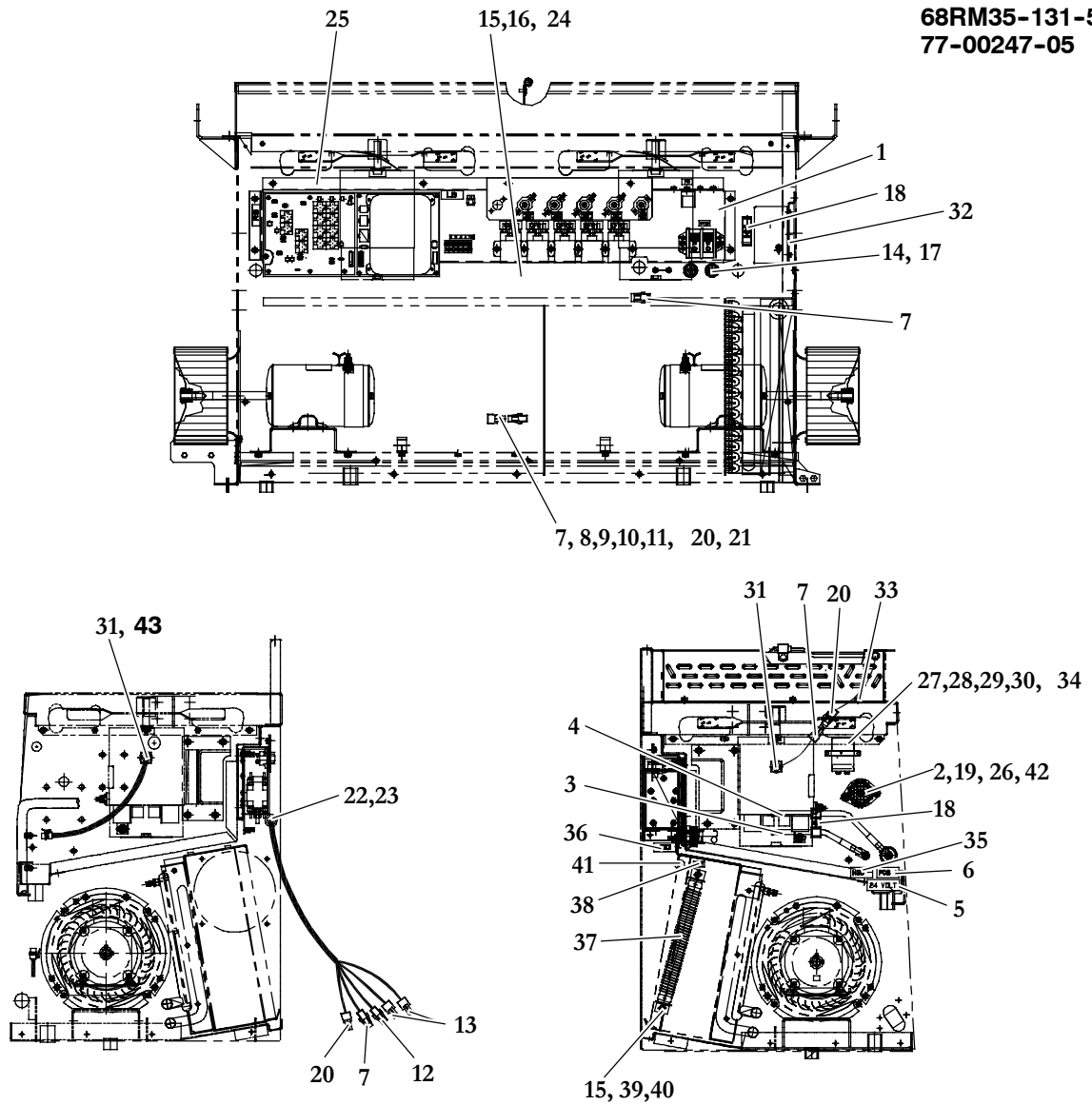


<b>2.8 Electrical Components - Model 68RM35-604-43 (Continued)</b>			
<b>Item</b>	<b>Part Number</b>	<b>Description</b>	<b>Qty</b>
9	22-02393-01	Terminal, Male (18-20 AWG)	2
10	22-02394-01	Seal, Cable	2
11	22-02392-01	Connector, 2 Pin, Medium Gray	1
12	22-01585-02	Connector, Male, 2 Pin, Gray	1
13	22-01585-00SK	Connector, Male, 2 Pin, Black	3
14	22-02394-00	Seal, Cable, Gray (0.11 - 0.14 Cable OD)	2
15	22-02302-02	Connector, Liquid Tight, 1/2 Inch	1
16	58-62124-00	Tubing, Spiral, Flexible, 1/2 Inch Closed (100 Feet Roll)	1
17	68-62320-00	Cover, Relay Board, Painted	1
18	66U1-5371-7	Screw, Cap, Hex Head Slotted, #10-24 x 1/2 Inch Long, SST	4
19	58-00065-85	Grommet, 0.88 ID x 1.12 Hole, 0.09 Inch Groove	1
20	22-02392-02	Connector, Female, 6 Pin, Black	1
21	22-62017-00	Cable Assembly, Battery, Black	1
22	22-62018-00	Cable Assembly, Battery, Red	1
23	22-01584-00	Resistor, 420 Watts, With Mounting Brackets	2
24	62-62041-17	Label, <b>DR1</b>	1
25	62-62041-18	Label, <b>DR2</b>	1
26	34-00667-09	Nut, Hex, Self-Locking #10-24, SST	4
27	22-00872-01	Terminal, Ring, #10, #8 AWG, Red Vinyl	4



2.9 Electrical Components - Models 68RM35-604-44, -53, -65, -73, -81, -94

Kits 68RM35-131-39  
68RM35-131-59  
77-00247-05



Note: Common Parts Are Listed In Section 2.1

Item	Part Number	Description	Qty
1	68RM35-168-33	Panel Assembly, Electrical, 68RM35-604-53, -65 (See Section 3.8)	1
	68RM35-168-43	Panel Assembly, Electrical, 68RM35-604-73, -81 (See Section 3.8)	
	91-01167-02	Panel Assembly, Electrical, 68RM35-604-94 (See Section 3.8)	
2	22-01565-00	Connector, Male, 22 Pin	1
3	68RM55-209-3	Cable Assembly, Battery, Black x 34.00 Inches Long	1
4	68RM55-210-3	Cable Assembly, Battery, Red x 34.00 Inches Long	1
5	62-62041-06	Label, <b>24 VOLT</b>	1
6	62-62041-04	Label, <b>POS +</b>	1
7	22-02392-00SV	Connector Kit, 2 Pin - Includes:	4
8	<b>NSS</b>	Connector, 2 Pin, Black	1
9	22-02393-00	Terminal, Male (14-16 AWG)	2

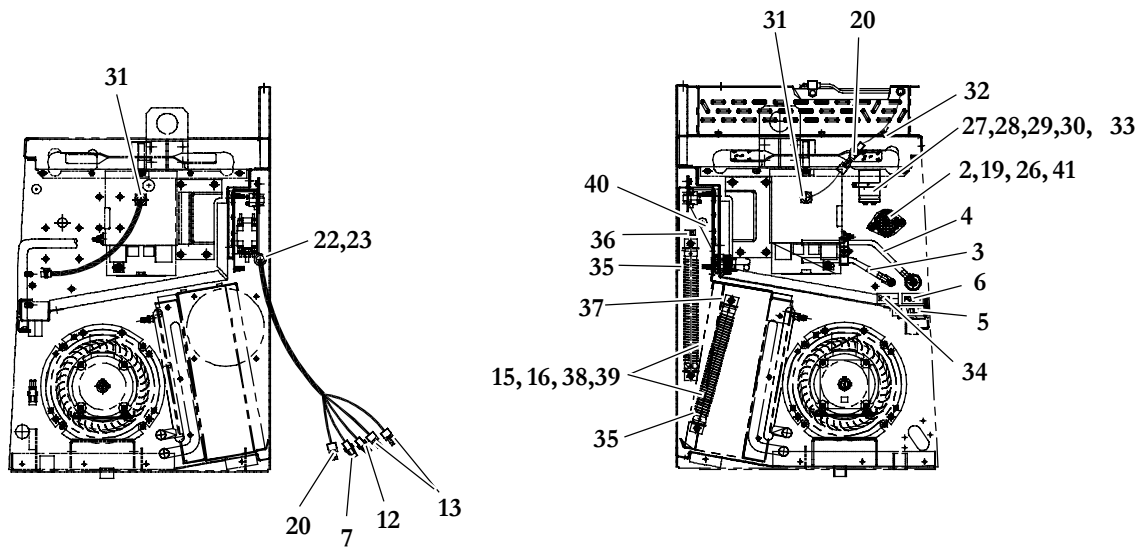
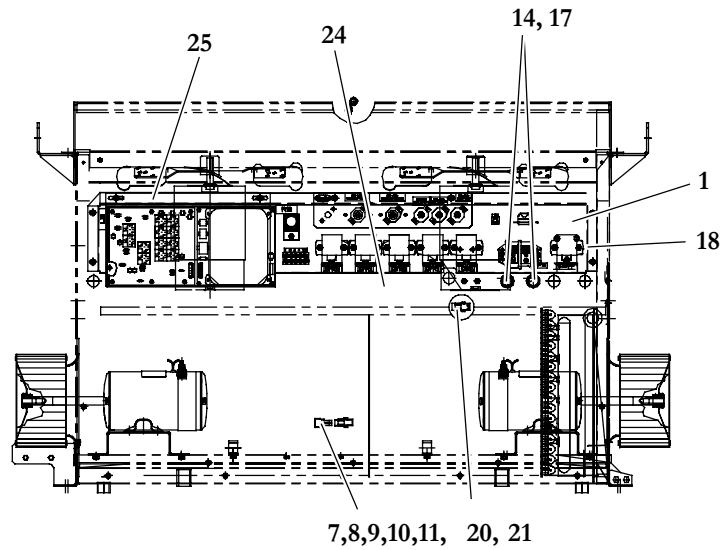


<b>2.9 Electrical Components - Models 68RM35-604-44, -53, -65, -73, -81, -94 (Continued)</b>			
<b>Item</b>	<b>Part Number</b>	<b>Description</b>	<b>Qty</b>
10	22-02393-01	Terminal, Male (18-20 AWG)	2
11	22-02394-01	Seal, Cable	2
12	22-02392-01	Connector, 2 Pin, Medium Gray	1
13	22-01585-02	Connector, Male, 2 Pin, Gray	2
14	22-01173-13	Connector, Straight, Liquid Tight	2
15	34-06179-01	Bolt, Hex Head, Slotted, SEMS, #10-24 x 1/2 Inch Long, SST	3
16	34-00662-09	Washer, Plain, #10, 0.032 Thick, SST	1
17	34-01268-01	Washer, Sealing, 1/2 NPT	2
18	34-00373-07	Clamp, Tube, Neoprene Cushion, 0.625 Inch Diameter	4
19	34-00666-11	Nut, Hex, 1/4-20 Inch, SST	2
20	22-01585-00SK	Connector, Male, 2 Pin, Black	3
21	22-02394-00	Seal, Cable, Gray (0.11 - 0.14 Cable OD)	2
22	22-02302-02	Connector, Liquid Tight, 1/2 Inch	1
23	58-62124-00	Tubing, Spiral, Flexible, 1/2 Inch Closed (100 Feet Roll)	1
24	34-00663-09	Washer, Split Lock, #10, SST	1
25	68-62320-00	Cover, Relay Board, Painted	1
26	22-50078-09A	Lock, Secondary	2
27	AC201-634	Capacitor, 50V	1
28	44-62000-00	Clamp, Saddle, 2.00 Inch	1
29	34-06264-04	Bolt, Hex Head Washer, Slotted, #8-32 x 1/2 Inch Long, SST	2
30	34-00663-08	Washer, Split Lock, #08, SST	2
31	58-00065-85	Grommet, 0.88 ID x 1.12 Hole, 0.09 Inch Groove	2
32	68-62275-00	Bracket, Mounting, Relay, Painted	1
33	44-00102-51	Clamp, Tube, 1/2 Inch OD, With Neoprene Cushion, SST	1
34	34-00662-08	Washer, Flat, #08, SST	2
35	62-62041-05	Label, <b>NEG -</b>	1
36	62-62041-22	Label, <b>ESR</b>	1
37	22-01584-00	Resistor, 420 Watts, With Mounting Brackets	1
38	62-62041-17	Label, <b>DRI</b>	1
39	34-00667-09	Nut, Hex, Self-Locking #10-24, SST	2
40	22-00872-01	Terminal, Ring, #10, #8 AWG, Red Vinyl	2
41	58-00065-27	Grommet, 0.62 ID x 0.88 Hole, 0.12 Inch Groove	3
42	22-01565-01	Plug, Cavity, Terminal	17
43	AC202-210	Tubing, Flexible, 1/2 Inch Closed Black (25 Feet Roll)	1



2.10 Electrical Components - Model 68RM35-604-45

Kit 68RM35-131-24



Note: Common Parts Are Listed In Section 2.1

Item	Part Number	Description	Qty
1	68RM35-168-28	Panel Assembly, Electrical (See Section 3.9)	1
2	22-01565-00	Connector, Male, 22 Pin	1
3	68RM55-209-3	Cable Assembly, Battery, Black x 34.00 Inches Long	1
4	68RM55-210-3	Cable Assembly, Battery, Red x 34.00 Inches Long	1
5	62-62041-06	Label, <b>24 VOLT</b>	1
6	62-62041-04	Label, <b>POS +</b>	1
7	22-02392-00SV	Connector Kit, 2 Pin - Includes:	4
8	<b>NSS</b>	Connector, 2 Pin, Black	1

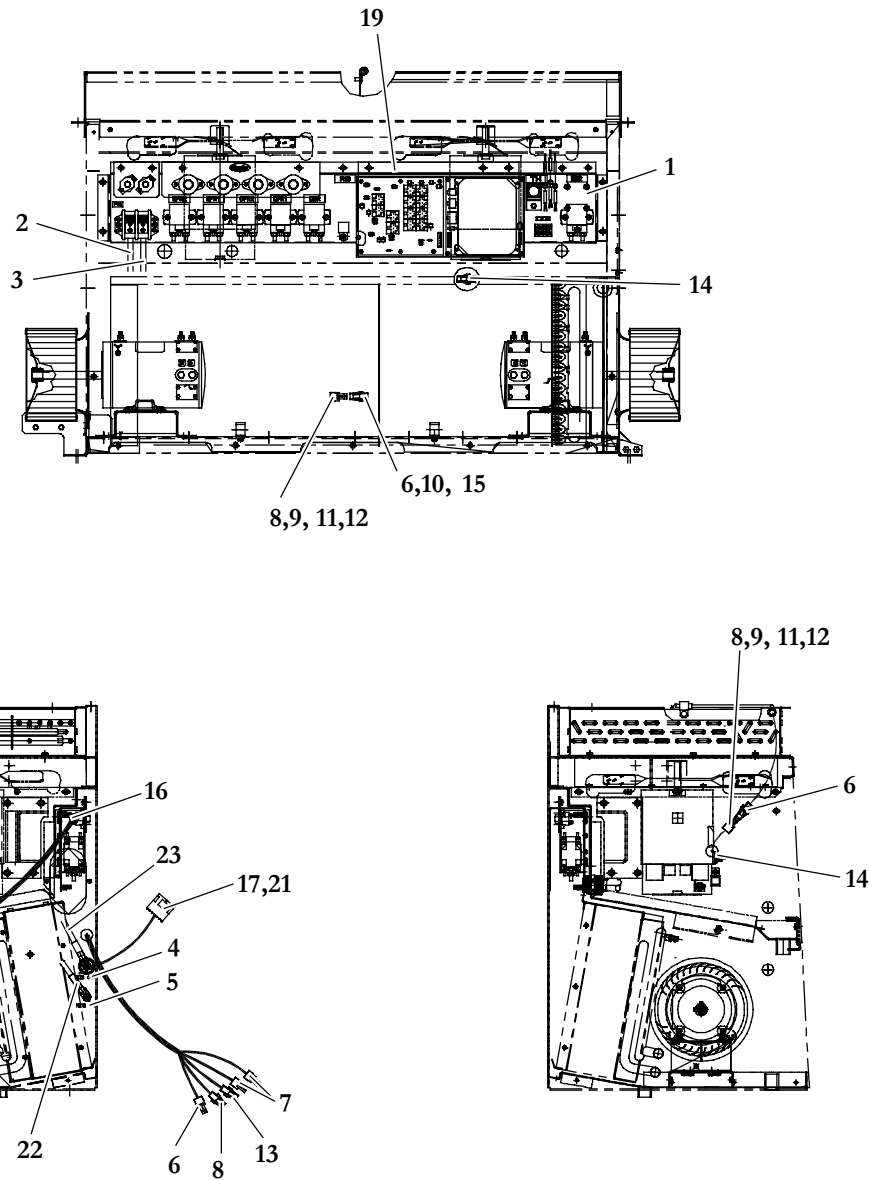


<b>2.10 Electrical Components - Model 68RM35-604-45 (Continued)</b>			
<b>Item</b>	<b>Part Number</b>	<b>Description</b>	<b>Qty</b>
9	22-02393-00	Terminal, Male (14-16 AWG)	2
10	22-02393-01	Terminal, Male (18-20 AWG)	2
11	22-02394-01	Seal, Cable	2
12	22-02392-01	Connector, 2 Pin, Medium Gray	1
13	22-01585-02	Connector, Male, 2 Pin, Gray	2
14	22-01173-13	Connector, Straight, Liquid Tight	2
15	34-06179-01	Bolt, Hex Head, Slotted, SEMS, #10-24 x 1/2 Inch Long, SST	5
16	34-00662-09	Washer, Plain, #10, 0.032 Thick, SST	4
17	34-01268-01	Washer, Sealing, 1/2 NPT	2
18	34-00373-07	Clamp, Tube, Neoprene Cushion, 0.625 Inch Diameter	4
19	34-00666-11	Nut, Hex, 1/4-20 Inch, SST	2
20	22-01585-00SK	Connector, Male, 2 Pin, Black	3
21	22-02394-00	Seal, Cable, Gray (0.11 - 0.14 Cable OD)	2
22	22-02302-02	Connector, Liquid Tight, 1/2 Inch	1
23	58-62124-00	Tubing, Spiral, Flexible, 1/2 Inch Closed (100 Feet Roll)	1
24	34-00663-09	Washer, Split Lock, #10, SST	1
25	68-62320-00	Cover, Relay Board, Painted	1
26	22-50078-09A	Lock, Secondary	2
27	AC201-634	Capacitor, 50V	1
28	44-62000-00	Clamp, Saddle, 2.00 Inch	1
29	34-06264-04	Bolt, Hex Head Washer, Slotted, #8-32 x 0.50 Inch Long, SST	2
30	34-00663-08	Washer, Split Lock, #08, SST	2
31	58-00065-85	Grommet, 0.88 ID x 1.12 Hole, 0.09 Inch Groove	2
32	44-00102-51	Clamp, Tube, 1/2 Inch OD, With Neoprene Cushion, SST	1
33	34-00662-08	Washer, Flat, #08, SST	2
34	62-62041-05	Label, <b>NEG -</b>	1
35	22-01584-00	Resistor, 420 Watts, With Mounting Brackets	1
36	62-62041-17	Label, <b>DR1</b>	1
37	62-62041-18	Label, <b>DR2</b>	1
38	34-00667-09	Nut, Hex, Self-Locking #10-24, SST	2
39	22-01140-02	Terminal, Ring, #10, #10-12 AWG, Vinyl	2
40	58-00065-27	Grommet, 0.62 ID x 0.88 Hole, 0.12 Inch Groove	3
41	22-01565-01	Plug, Cavity, Terminal	17



2.11 Electrical Components - Model 68RM35-604-46

Kit 68RM35-131-21



Note: Common Parts Are Listed In Section 2.1

Item	Part Number	Description	Qty
1	68RM35-168-14	Panel Assembly, Electrical (See Section 3.10)	1
2	68RM55-209-3	Cable Assembly, Battery, Black x 34.00 Inches Long	1
3	68RM55-210-3	Cable Assembly, Battery, Red x 34.00 Inches Long	1
4	62-62041-04	Label, POS +	1
5	62-62041-05	Label, NEG -	1
6	22-01585-00SK	Connector Assembly, Male, 2 Pin, Black	3
7	22-01585-02	Connector, Male, 2 Pin, Gray	2



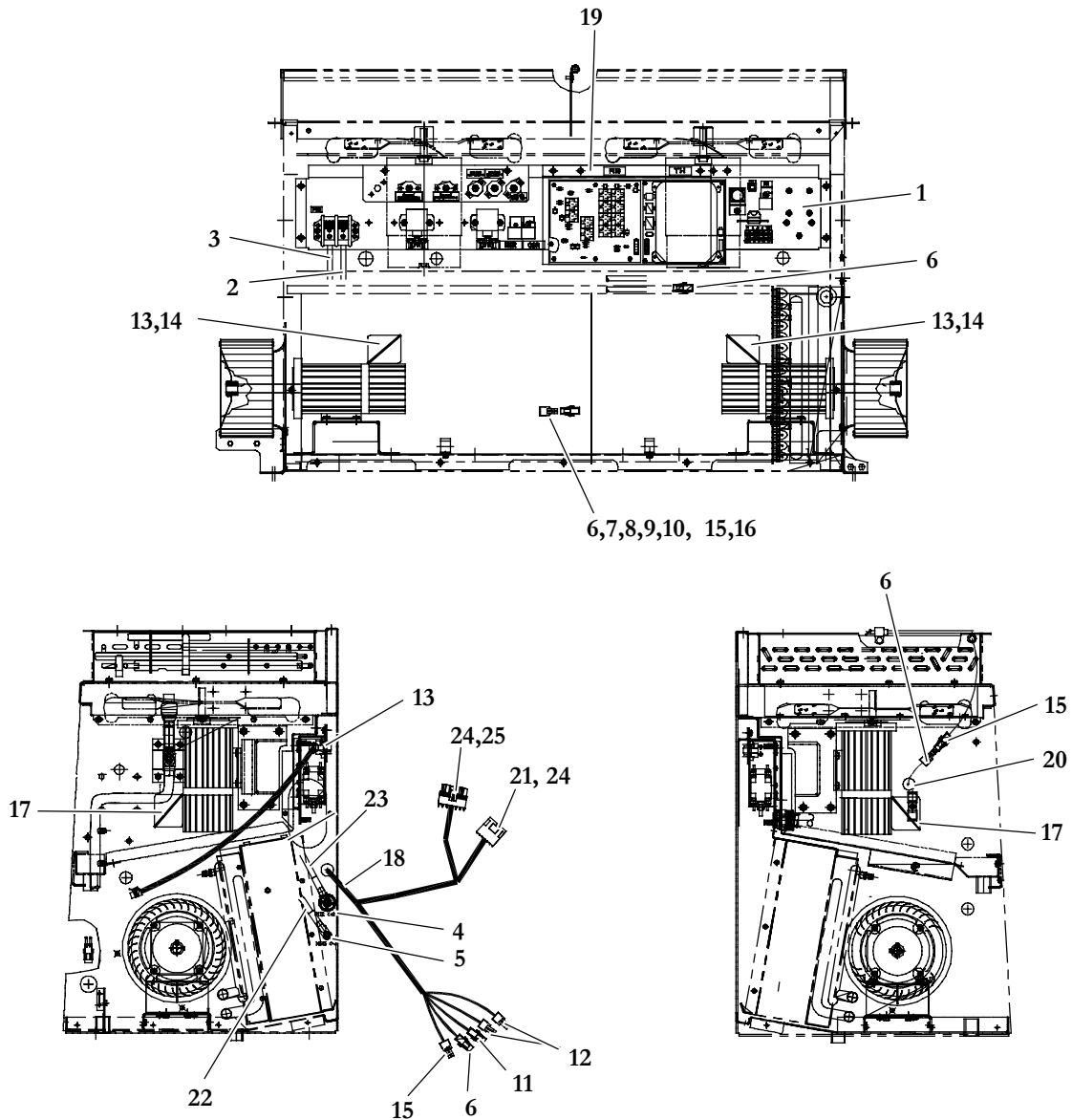
<b>2.11 Electrical Components - Model 68RM35-604-46 (Continued)</b>			
<b>Item</b>	<b>Part Number</b>	<b>Description</b>	<b>Qty</b>
8	22-02392-00SV	Connector Kit, 2 Pin - Includes:	4
9	<b>NSS</b>	Connector, 2 Pin, Black	1
10	22-02393-00	Terminal, Male (14-16 AWG)	2
11	22-02393-01	Terminal, Male (18-20 AWG)	2
12	22-02394-01	Seal, Cable	2
13	22-02392-01	Connector, 2 Pin, Medium Gray	1
14	58-00065-26	Grommet, 0.75 ID x 1.06 Hole, 0.06 Inch Groove	1
15	22-02394-00	Seal, Cable, Gray (0.11 - 0.14 Cable OD)	2
16	22-02302-02	Connector, Liquid Tight, 1/2 Inch	1
17	58-62124-00	Tubing, Spiral, Flexible, 1/2 Inch Closed (100 Feet Roll)	1
18	34-00663-09	Washer, Split Lock, #10, SST	1
19	68-62320-00	Cover, Relay Board, Painted	1
20	58-00065-85	Grommet, 0.88 ID x 1.12 Hole, 0.09 Inch Groove	1
21	22-02392-02	Connector, Female, 6 Pin, Black	1
22	22-62017-00	Cable Assembly, Battery, Black	1
23	22-62018-00	Cable Assembly, Battery, Red	1





2.12 Electrical Components - Model 68RM35-604-47

Kit 68RM35-131-32



**Note: Common Parts Are Listed In Section 2.1**

Item	Part Number	Description	Qty
1	68RM35-168-25	Panel Assembly, Electrical (See Section 3.11)	1
2	68RM55-209-10	Cable Assembly, Battery, Black x 15.00 Inches Long	1
3	68RM55-210-11	Cable Assembly, Battery, Red x 12.00 Inches Long	1
4	62-62041-04	Label, <b>POS +</b>	1
5	62-62041-05	Label, <b>NEG -</b>	1
6	22-02392-00SV	Connector Kit, 2 Pin - Includes:	4
7	<b>NSS</b>	Connector, 2 Pin, Black	1
8	22-02393-00	Terminal, Male (14-16 AWG)	2

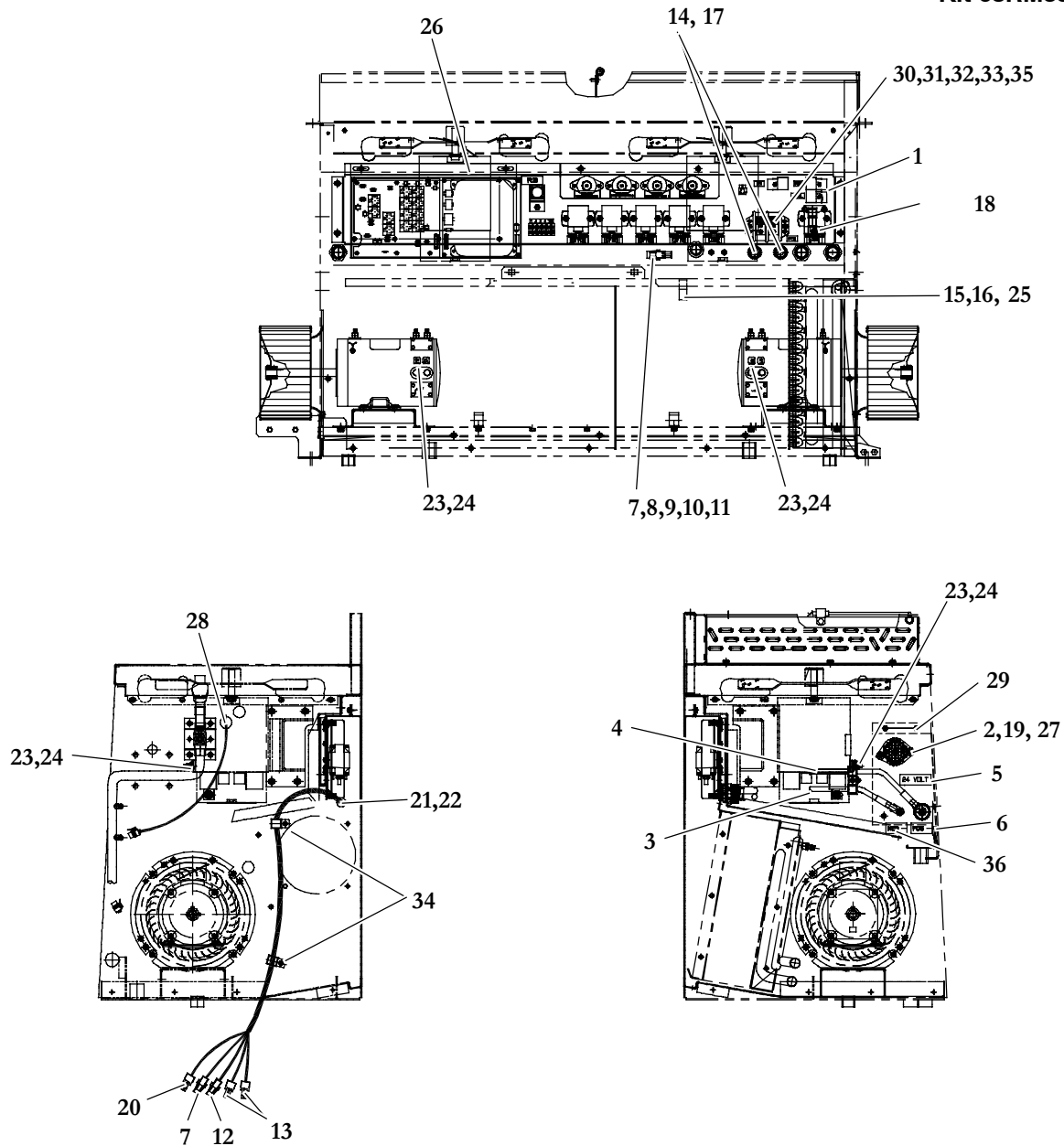


<b>2.12 Electrical Components - Model 68RM35-604-47 (Continued)</b>			
<b>Item</b>	<b>Part Number</b>	<b>Description</b>	<b>Qty</b>
9	22-02393-01	Terminal, Male (18-20 AWG)	2
10	22-02394-01	Seal, Cable	2
11	22-02392-01	Connector, 2 Pin, Medium Gray	1
12	22-01585-02	Connector, Male, 2 Pin, Gray	2
13	AC701-237	Connector, 1/2 Inch Romax	2
14	AC301-204	Hose, Valve, Kazoo, 1 Inch x 3 Inches	1
15	22-01585-00SK	Connector, Male, 2 Pin, Black	3
16	22-02394-00	Seal, Cable, Gray (0.11 - 0.14 Cable OD)	2
17	22-02302-02	Connector, Liquid Tight, 1/2 Inch	3
18	58-62124-00	Tubing, Spiral, Flexible, 1/2 Inch Closed (100 Feet Roll)	1
19	68-62320-00	Cover, Relay Board, Painted	1
20	58-00065-85	Grommet, 0.88 ID x 1.12 Hole, 0.09 Inch Groove	1
21	22-02392-02	Connector, Female, 6 Pin, Black	1
22	22-62017-00	Cable Assembly, Battery, Black	1
23	22-62018-00	Cable Assembly, Battery, Red	1
24	22-01565-01	Plug, Terminal Cavity	2
25	22-01585-03	Connector, Male, 6 Pin	1



2.13 Electrical Components - Model 68RM35-604-48

Kit 68RM35-131-35



Note: Common Parts Are Listed In Section 2.1

Item	Part Number	Description	Qty
1	68RM35-168-29	Panel Assembly, Electrical (See Section 3.12)	1
2	22-01565-00	Connector, Male, 22 Pin	1
3	68RM55-209-8	Cable Assembly, Battery, Black x 31.00 Inches Long	1
4	68RM55-210-9	Cable Assembly, Battery, Red x 31.00 Inches Long	1
5	62-62041-06	Label, <b>24 VOLT</b>	1
6	62-62041-04	Label, <b>POS +</b>	1
7	22-02392-00SV	Connector Kit, 2 Pin - Includes:	2
8	<b>NSS</b>	Connector, 2 Pin, Black	1

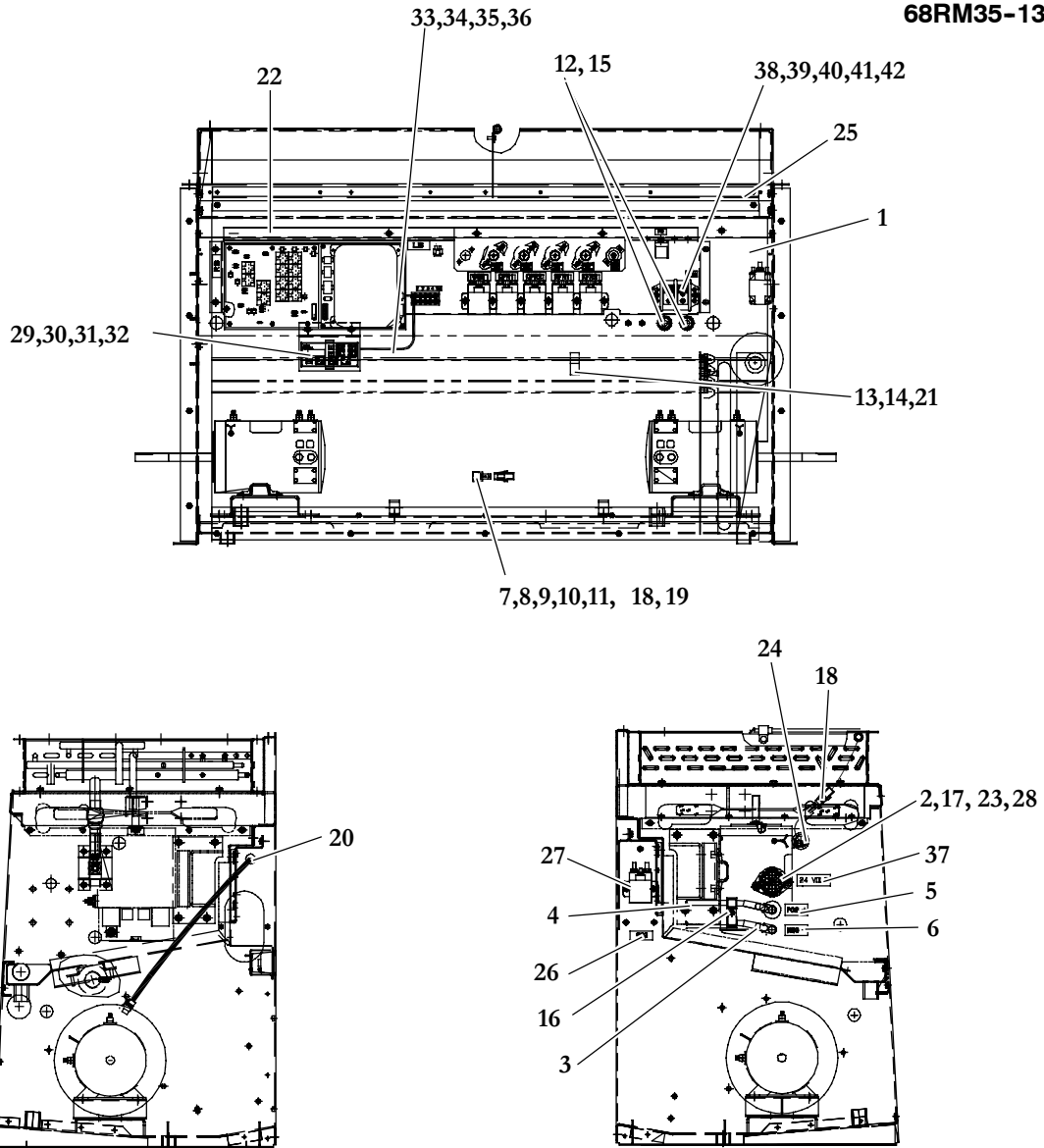


<b>2.13 Electrical Components - Model 68RM35-604-48 (Continued)</b>			
<b>Item</b>	<b>Part Number</b>	<b>Description</b>	<b>Qty</b>
9	22-02393-00	Terminal, Male (14-16 AWG)	2
10	22-02393-01	Terminal, Male (18-20 AWG)	2
11	22-02394-01	Seal, Cable	2
12	22-02392-01	Connector, 2 Pin, Medium Gray	1
13	22-01585-02	Connector, Male, 2 Pin, Gray	2
14	22-01173-13	Connector, Straight, Liquid Tight	2
15	34-06179-01	Bolt, Hex Head, Slotted, SEMS, #10-24 x 1/2 Inch Long, SST	1
16	34-00662-09	Washer, Plain, #10, 0.032 Thick, SST	1
17	34-01268-01	Washer, Sealing, 1/2 NPT	2
18	34-00373-07	Clamp, Tube, Neoprene Cushion, 0.625 Inch Diameter	4
19	34-00666-11	Nut, Hex, 1/4-20 Inch, SST	2
20	22-01585-00SK	Connector, Male, 2 Pin, Black	1
21	22-02302-02	Connector, Liquid Tight, 1/2 Inch	1
22	58-62124-00	Tubing, Spiral, Flexible, 1/2 Inch Closed (100 Feet Roll)	1
23	AC201-244	Butt Connector, Crimp & Seal, 14-16 AWG	8
24	AC202-209	Tubing, Heat Shrink, 3/16 With Adhesive	2
25	34-00663-09	Washer, Split Lock, #10, SST	1
26	68-62320-00	Cover, Relay Board, Painted	1
27	22-50078-09A	Lock, Secondary	2
28	58-00065-85	Grommet, 0.88 ID x 1.12 Hole, 0.09 Inch Groove	1
29	68-62182-00	Cover, Painted	1
30	34-01279-13	Washer, Flat, 3/8, Grade 8, Zinc	2
31	34-00938-14	Washer, Lock, Internal Tooth, 7/16, Brass	2
32	34-00704-06	Screw, Cap, Hex Head, 7/16-20 x 3/4 Inch Long, Grade 8	2
33	22-62015-00	Terminal, Ring, #2 AWG, 1/2 Inch Stud	2
34	44-00102-51	Clamp, Tube, 1/2 Inch OD, With Neoprene Cushion, SST	2
35	66U1-2583-42	Tubing, Heat Shrink, 3/4 x 3.00 Inches Long	3
36	62-62041-05	Label, <b>NEG -</b>	1



2.14 Electrical Components - Models 68RM35-604-49, -72

Kits 68RM35-131-44  
68RM35-131-64



Note: Common Parts Are Listed In Section 2.1

Item	Part Number	Description	Qty
1	68RM35-168-36	Panel Assembly, Electrical, 68RM35-604-49 (See Section 3.4)	1
	68RM35-168-46	Panel Assembly, Electrical, 68RM35-604-72 (See Section 3.4)	
2	22-01565-00	Connector, Male, 22 Pin	1
3	68RM55-209-15	Cable Assembly, Battery, Black x 21.00 Inches Long	1
4	68RM55-210-16	Cable Assembly, Battery, Red x 25.00 Inches Long	1
5	62-62041-04	Label, POS +	1
6	62-62041-05	Label, NEG -	1
7	22-02392-00SV	Connector Kit, 2 Pin - Includes:	2

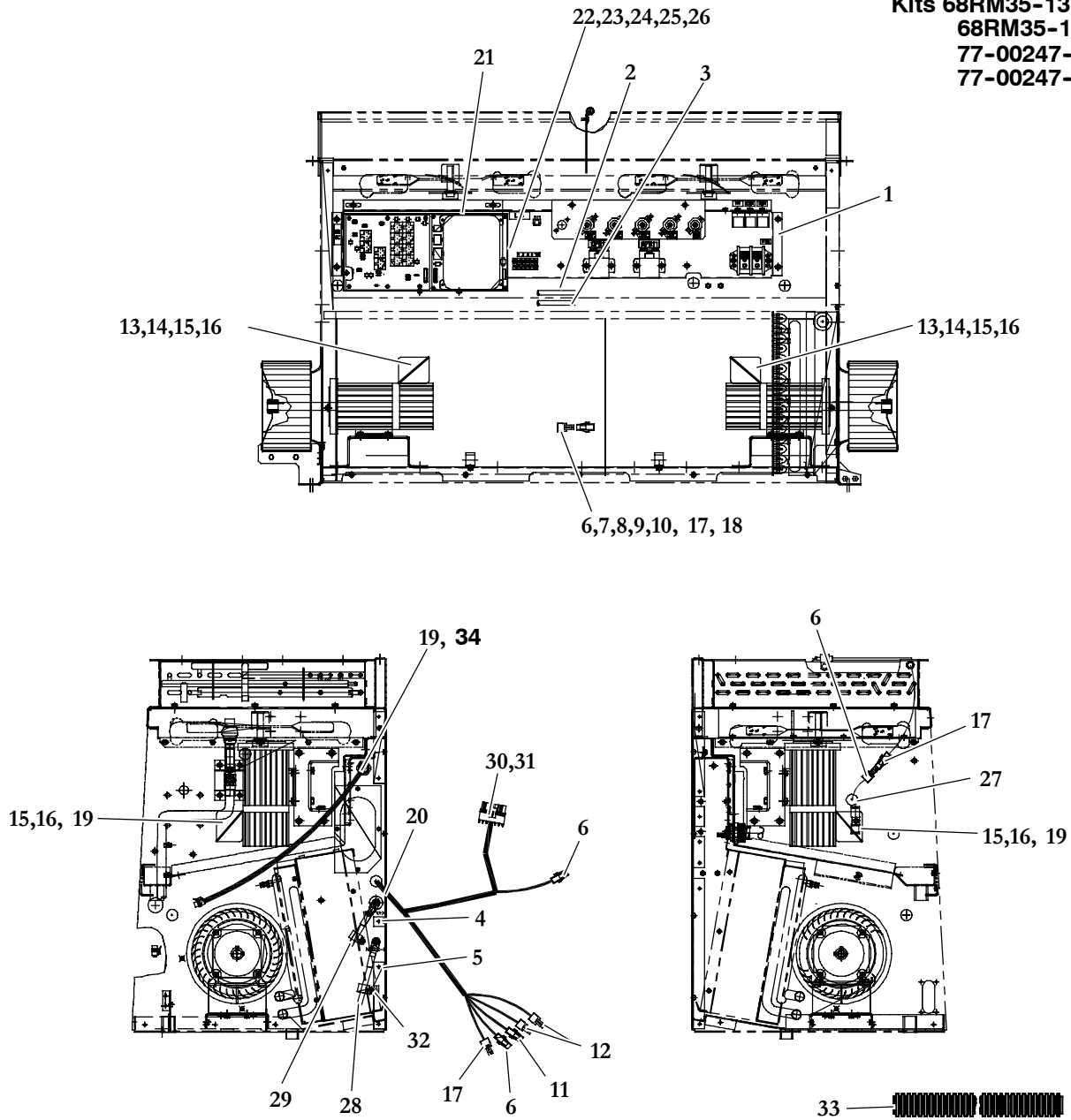


<b>2.14 Electrical Components - Models 68RM35-604-49, -72 Continued)</b>			
<b>Item</b>	<b>Part Number</b>	<b>Description</b>	<b>Qty</b>
8	NSS	Connector, 2 Pin, Black	1
9	22-02393-00	Terminal, Male (14-16 AWG)	2
10	22-02393-01	Terminal, Male (18-20 AWG)	2
11	22-02394-01	Seal, Cable	2
12	22-01173-13	Connector, Straight, Liquid Tight	2
13	34-06179-01	Bolt, Hex Head, Slotted, SEMS, #10-24 x 1/2 Inch Long, SST	1
14	34-00662-09	Washer, Plain, #10, 0.032 Thick, SST	1
15	34-01268-01	Washer, Sealing, 1/2 NPT	2
16	34-00373-07	Clamp, Tube, Neoprene Cushion, 0.625 Inch Diameter	2
17	34-00666-11	Nut, Hex, 1/4-20 Inch, SST	2
18	22-01585-00SK	Connector, Male, 2 Pin, Black	2
19	22-02394-00	Seal, Cable, Gray (0.11 - 0.14 Cable OD)	2
20	22-02302-02	Connector, Liquid Tight, 1/2 Inch	1
21	34-00663-09	Washer, Split Lock, #10, SST	1
22	68-62320-00	Cover, Relay Board, Painted	1
23	22-50078-09A	Lock, Secondary	2
24	58-00065-85	Grommet, 0.88 ID x 1.12 Hole, 0.09 Inch Groove	1
25	44-00102-51	Clamp, Tube, 1/2 Inch OD, With Neoprene Cushion, SST	1
26	62-62041-22	Label, <b>ESR</b>	1
27	22-00121-27	Terminal, Ring, #10, 22-16 AWG, Red Vinyl	2
28	22-01565-01	Plug, Cavity, Terminal	3
29	12-00391-03	Module, Drivers Display (Micromate Control Panel)	1
30	68-62125-00	Clamp, Retaining, Temperature Module, Painted	1
31	68-62402-00	Bracket, Mounting, Drivers Display, Painted	1
32	34-00667-07	Nut, Hex, Self-Locking, #06-32, SST	1
33	22-62063-00	Harness, A/C Control, 17.00 Inches Long - Includes:	1
34	22-62026-00	Connector, Plug, 6 Position	1
35	22-50145-00	Connector, Plug, 4 Position	1
36	22-50152-00	Terminal, Female Receptacle (16-26 AWG)	10
37	62-62041-06	Label, <b>24 VOLT</b>	1
38	34-01279-13	Washer, Flat, 3/8, Grade 8, Zinc	2
39	34-00938-14	Washer, Lock, Internal Tooth, 7/16, Brass	2
40	34-00704-06	Screw, Cap, Hex Head, 7/16-20 x 3/4 Inch Long, Grade 8	2
41	22-62015-00	Terminal, Ring, #2 AWG, 1/2 Inch Stud	2
42	66U1-2583-42	Tubing, Heat Shrink, 3/4 x 3.00 Inches Long	3



2.15 Electrical Components - Models 68RM35-604-50, -51, -58, -74, -90, -92

Kits 68RM35-131-38  
68RM35-131-58  
77-00247-00  
77-00247-02



Note: Common Parts Are Listed In Section 2.1

Item	Part Number	Description	Qty
1	68RM35-168-32	Panel Assembly, Electrical, 68RM35-604-50, -51, -58 (See Section 3.13)	1
	68RM35-168-42	Panel Assembly, Electrical, 68RM35-604-74 (See Section 3.13)	
	91-01167-00	Panel Assembly, Electrical, 68RM35-604-90 (See Section 3.13)	
	91-01167-01	Panel Assembly, Electrical, 68RM35-604-92 (See Section 3.13)	
2	68RM55-209-14	Cable Assembly, Battery, Black x 50.00 Inches Long	1
3	22-62186-00	Cable Assembly, Battery, Red x 50.00 Inches Long	1
4	62-62041-04	Label, POS +	1
5	62-62041-05	Label, NEG -	1



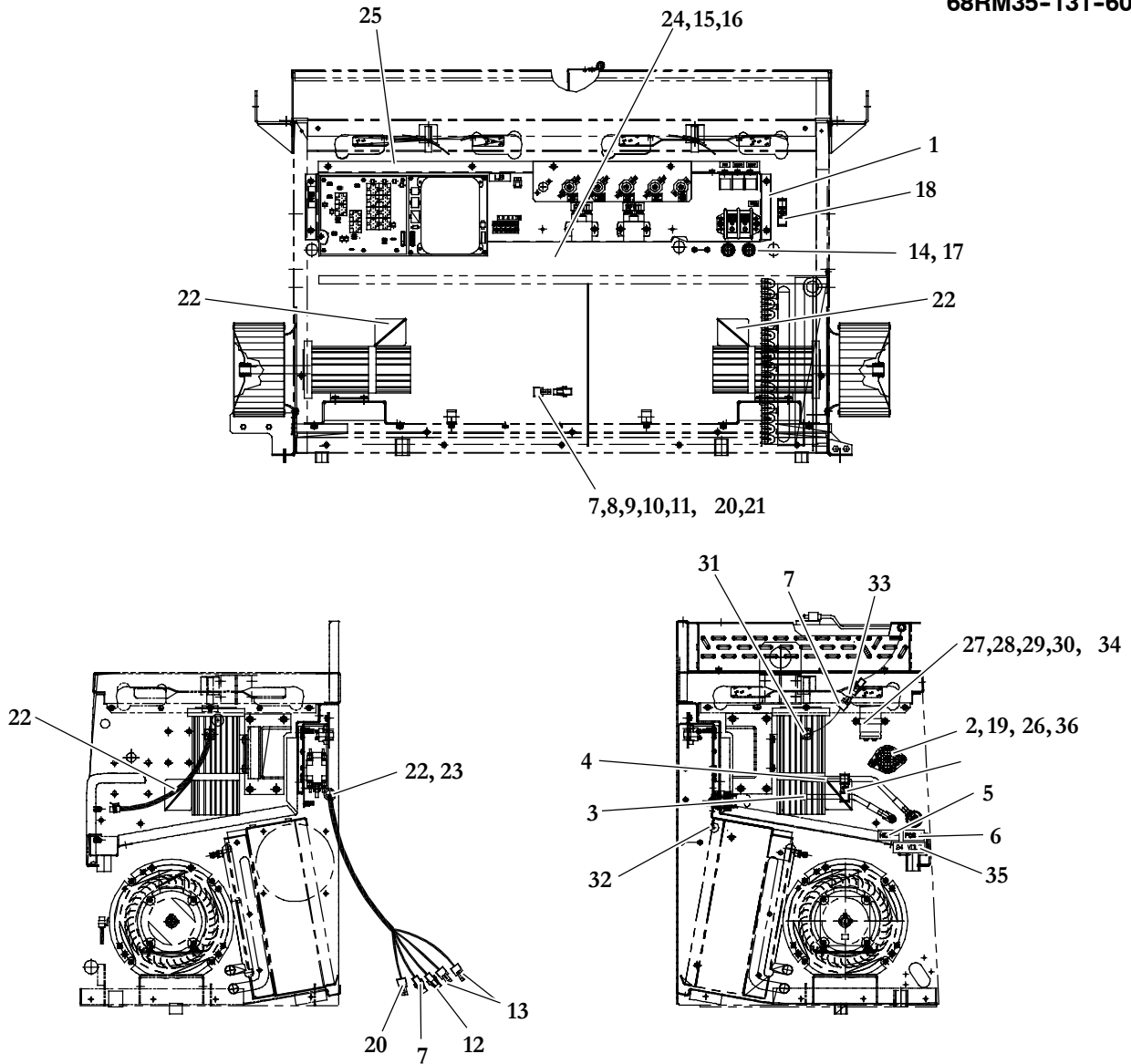
<b>2.15 Electrical Components - Models 68RM35-604-50, -51, -58, -74, -90, -92</b>			
<b>Item</b>	<b>Part Number</b>	<b>Description</b>	<b>Qty</b>
6	22-02392-00SV	Connector Kit, 2 Pin - Includes:	4
7	<b>NSS</b>	Connector, 2 Pin, Black	1
8	22-02393-00	Terminal, Male (14-16 AWG)	2
9	22-02393-01	Terminal, Male (18-20 AWG)	2
10	22-02394-01	Seal, Cable	2
11	22-02392-01	Connector, 2 Pin, Medium Gray	1
12	22-01585-02	Connector, Male, 2 Pin, Gray	2
13	AC701-237	Connector, 1/2 Inch Romax	2
14	AC301-204	Hose, Valve, Kazoo, 1 Inch x 3 Inches	1
15	22-02126-02	Cap, Insulator, Electrical	8
16	22-02126-03	Cap, Insulator, Electrical	8
17	22-01585-00SK	Connector, Male, 2 Pin, Black	3
18	22-02394-00	Seal, Cable, Gray (0.11 - 0.14 Cable OD)	2
19	22-02302-02	Connector, Liquid Tight, 1/2 Inch	3
20	22-02301-02	Tubing, Spiral, Flexible, 1/2 Inch Closed (100 Feet Roll)	1
21	68-62320-00	Cover, Relay Board, Painted	1
22	22-62097-00	Wire Harness, Remote, 63.00 Inches Long - Includes:	1
23	22-50145-00	Connector, Plug, 4 Pin	1
24	22-50152-00	Terminal, Female Receptacle (16-26 AWG)	4
25	22-02394-02	Seal, Cable, Green (0.06 - 0.08 Cable OD)	4
26	22-01566-01	Terminal, Female (18-20 AWG)	4
27	58-00065-85	Grommet, 0.88 ID x 1.12 Hole, 0.09 Inch Groove	1
28	22-62017-00	Cable Assembly, Battery, Black	1
29	22-62018-00	Cable Assembly, Battery, Red	1
30	22-01565-01	Plug, Terminal Cavity	2
31	22-01585-03	Connector, Male, 6 Pin	1
32	44-00102-06	Clamp, Tube, 7/8 Inch OD, With Neoprene Cushion, SST	2
33	58-01368-00	Tubing, Spiral, Corrugated, 1/2 Inch Closed Red (25 Feet Roll)	A/R
34	AC202-210	Tubing, Flexible, 1/2 Inch Closed Black (25 Feet Roll), Used on 68RM35-604-90 and -92 Only	1





2.16 Electrical Components - Models 68RM35-604-52, -64, -80

Kits 68RM35-131-40  
68RM35-131-60



Note: Common Parts Are Listed In Section 2.1

Item	Part Number	Description	Qty
1	68RM35-168-34	Panel Assembly, Electrical, 68RM35-604-52, -64 (See Section 3.14)	1
	68RM35-168-44	Panel Assembly, Electrical, 68RM35-604-80 (See Section 3.14)	
2	22-01565-00	Connector, Male, 22 Pin	1
3	68RM55-209-3	Cable Assembly, Battery, Black x 34.00 Inches Long	1
4	68RM55-210-3	Cable Assembly, Battery, Red x 34.00 Inches Long	1
5	62-62041-06	Label, <b>24 VOLT</b>	1
6	62-62041-04	Label, <b>POS +</b>	1

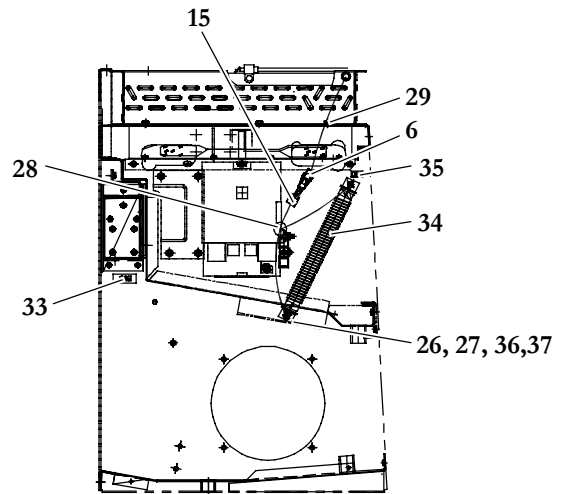
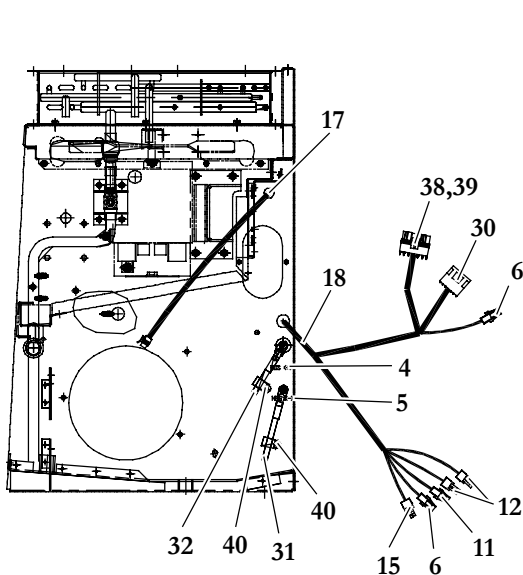
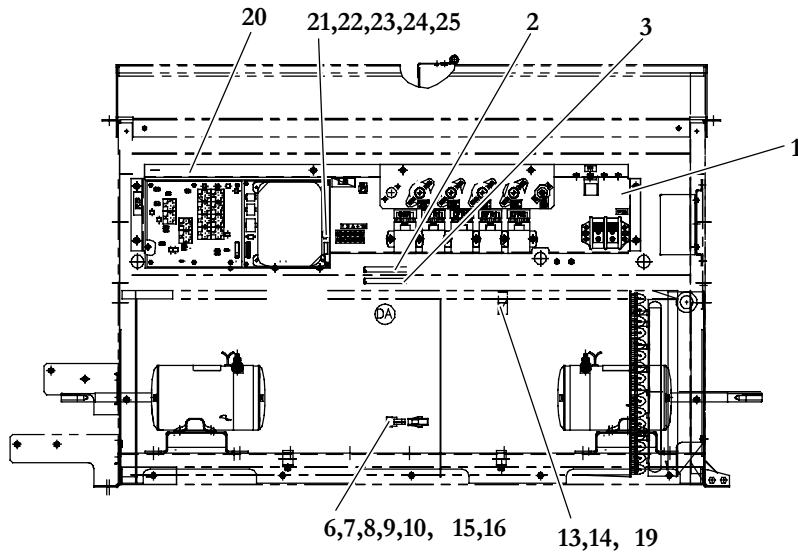


<b>2.16 Electrical Components - Models 68RM35-604-52, -64, -80</b>			
<b>Item</b>	<b>Part Number</b>	<b>Description</b>	<b>Qty</b>
7	22-02392-00SV	Connector Kit, 2 Pin - Includes:	3
8	<b>NSS</b>	Connector, 2 Pin, Black	1
9	22-02393-00	Terminal, Male (14-16 AWG)	2
10	22-02393-01	Terminal, Male (18-20 AWG)	2
11	22-02394-01	Seal, Cable	2
12	22-02392-01	Connector, 2 Pin, Medium Gray	1
13	22-01585-02	Connector, Male, 2 Pin, Gray	2
14	22-01173-13	Connector, Straight, Liquid Tight	2
15	34-06179-01	Bolt, Hex Head, Slotted, SEMS, #10-24 x 1/2 Inch Long, SST	1
16	34-00662-09	Washer, Plain, #10, 0.032 Thick, SST	1
17	34-01268-01	Washer, Sealing, 1/2 NPT	2
18	34-00373-07	Clamp, Tube, Neoprene Cushion, 0.625 Inch Diameter	4
19	34-00666-11	Nut, Hex, 1/4-20 Inch, SST	2
20	22-01585-00SK	Connector, Male, 2 Pin, Black	3
21	22-02394-00	Seal, Cable, Gray (0.11 - 0.14 Cable OD)	2
22	22-02302-02	Connector, Liquid Tight, 1/2 Inch	3
23	58-62124-00	Tubing, Spiral, Flexible, 1/2 Inch Closed (100 Feet Roll)	1
24	34-00663-09	Washer, Split Lock, #10, SST	1
25	68-62320-00	Cover, Relay Board, Painted	1
26	22-50078-09A	Lock, Secondary	2
27	AC201-634	Capacitor, 50V	1
28	44-62000-00	Clamp, Saddle, 2.00 Inch	1
29	34-06264-04	Bolt, Hex Head Washer, Slotted, #8-32 x 0.50 Inch Long, SST	4
30	34-00663-08	Washer, Split Lock, #08, SST	4
31	58-00065-85	Grommet, 0.88 ID x 1.12 Hole, 0.09 Inch Groove	2
32	58-04040-00	Plug, Button, 7/8 Inch Diameter Hole	1
33	44-00102-51	Clamp, Tube, 1/2 Inch OD, With Neoprene Cushion, SST	1
34	34-00662-08	Washer, Flat, #08, SST	4
35	62-62041-05	Label, <b>NEG -</b>	1
36	22-01565-01	Plug, Cavity, Terminal	17



2.17 Electrical Components - Models 68RM35-604-54, -62, -78

Kits 68RM35-131-41  
68RM35-131-61  
68RM35-131-72



Note: Common Parts Are Listed In Section 2.1

Item	Part Number	Description	Qty
1	68RM35-168-35	Panel Assembly, Electrical, 68RM35-604-54, -62 (See Section 3.5)	1
	68RM35-168-45	Panel Assembly, Electrical, 68RM35-604-78 (See Section 3.5)	
2	68RM55-209-14	Cable Assembly, Battery, Black x 50.00 Inches Long	1
3	22-62186-00	Cable Assembly, Battery, Red x 50.00 Inches Long	1
4	62-62041-04	Label, POS +	1
5	62-62041-05	Label, NEG -	1
6	22-02392-00SV	Connector Kit, 2 Pin - Includes:	4
7	NSS	Connector, 2 Pin, Black	1

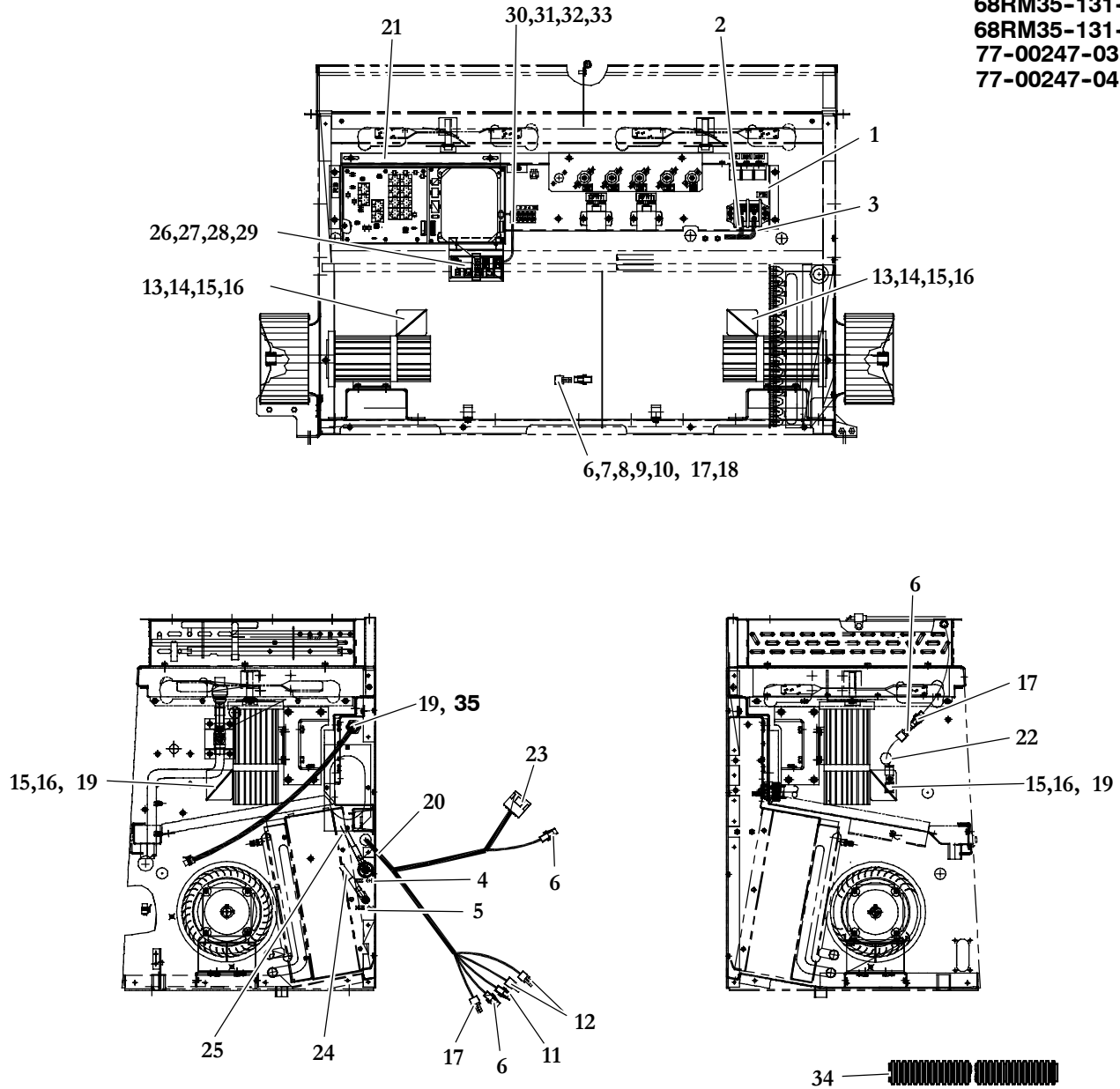


<b>2.17 Electrical Components - Models 68RM35-604-54, -62, -78 (Continued)</b>			
<b>Item</b>	<b>Part Number</b>	<b>Description</b>	<b>Qty</b>
8	22-02393-00	Terminal, Male (14-16 AWG)	2
9	22-02393-01	Terminal, Male (18-20 AWG)	2
10	22-02394-01	Seal, Cable	2
11	22-02392-01	Connector, 2 Pin, Medium Gray	1
12	22-01585-02	Connector, Male, 2 Pin, Gray	2
13	34-06179-01	Bolt, Hex Head, Slotted, SEMS, #10-24 x 1/2 Inch Long, SST	1
14	34-00662-09	Washer, Plain, #10, 0.032 Thick, SST	1
15	22-01585-00SK	Connector, Male, 2 Pin, Black	3
16	22-02394-00	Seal, Cable, Gray (0.11 - 0.14 Cable OD)	2
17	22-02302-02	Connector, Liquid Tight, 1/2 Inch	1
18	58-62124-00	Tubing, Spiral, Flexible, 1/2 Inch Closed (100 Feet Roll)	1
19	34-00663-09	Washer, Split Lock, #10, SST	1
20	68-62320-00	Cover, Relay Board, Painted	1
21	22-62097-00	Wire Harness, Remote, 63.00 Inches Long - Includes:	1
22	22-50145-00	Connector, Plug, 4 Pin	1
23	22-50152-00	Terminal, Female Receptacle (16-26 AWG)	4
24	22-02394-02	Seal, Cable, Green (0.06 - 0.08 Cable OD)	4
25	22-01566-01	Terminal, Female (18-20 AWG)	4
26	34-06264-04	Bolt, Hex Head Washer, Slotted, #8-32 x 1/2 Inch Long, SST	2
27	34-00663-08	Washer, Split Lock, #08, SST	2
28	58-00065-85	Grommet, 0.88 ID x 1.12 Hole, 0.09 Inch Groove	1
29	44-00102-51	Clamp, Tube, 1/2 Inch OD, With Neoprene Cushion, SST	1
30	22-02392-02	Connector, Female, 6 Pin, Black	1
31	22-62017-00	Cable Assembly, Battery, Black	1
32	22-62018-00	Cable Assembly, Battery, Red, #2 AWG x 102 Inches Long (Models -54, -78 Only)	1
	22-62018-01	Cable Assembly, Battery, Red, #2 AWG x 118 Inches Long (Model -62 Only)	
33	62-62041-22	Label, <b>ESR</b>	1
34	22-01584-00	Resistor, 420 Watts, With Mounting Brackets	1
35	62-62041-17	Label, <b>DR1</b>	1
36	34-00667-09	Nut, Hex, Self-Locking #10-24, SST	2
37	22-00872-01	Terminal, Ring, #10, #8 AWG, Red Vinyl	2
38	22-01565-01	Plug, Cavity, Terminal	2
39	22-01585-03	Connector, Male, 6 Pin	1
40	44-00102-06	Clamp, Tube, 7/8 Inch OD, With Neoprene Cushion, SST	2
41	58-01368-00	Tubing, Spiral, Corrugated, 1/2 Inch Closed Red (25 Feet Roll)	A/R



2.18 Electrical Components - Models 68RM35-604-55, -68, -84, -91, -93

Kits 68RM35-131-42  
68RM35-131-62  
68RM35-131-74  
77-00247-03  
77-00247-04



Note: Common Parts Are Listed In Section 2.1

Item	Part Number	Description	Qty
1	68RM35-168-32	Panel Assembly, Electrical, 68RM35-604-55, -68 See Section 3.13)	1
	68RM35-168-42	Panel Assembly, Electrical, 68RM35-604-84 (See Section 3.13)	
	91-01167-00	Panel Assembly, Electrical, 68RM35-604-91 (See Section 3.13)	
	91-01167-01	Panel Assembly, Electrical, 68RM35-604-93 (See Section 3.13)	
2	68RM55-209-14	Cable Assembly, Battery, Black x 50.00 Inches Long	1
3	68RM55-210-12	Cable Assembly, Battery, Red x 50.00 Inches Long	1
4	62-62041-04	Label, POS +	1
5	62-62041-05	Label, NEG -	1

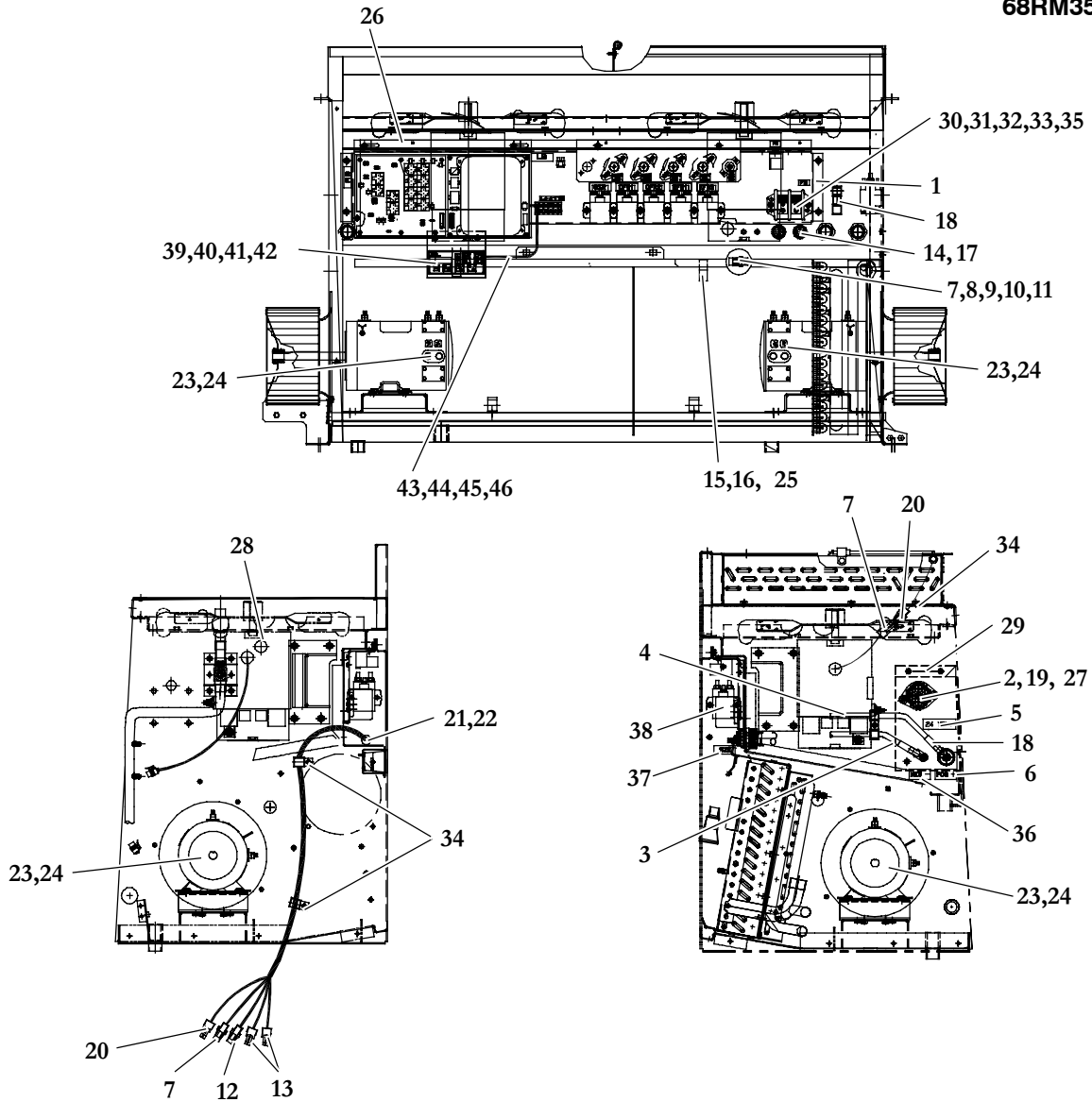


<b>2.18 Electrical Components - Models 68RM35-604-55, -68, -84, -91, -93</b>			
<b>Item</b>	<b>Part Number</b>	<b>Description</b>	<b>Qty</b>
6	22-02392-00SV	Connector Kit, 2 Pin - Includes:	4
7	<b>NSS</b>	Connector, 2 Pin, Black	1
8	22-02393-00	Terminal, Male (14-16 AWG)	2
9	22-02393-01	Terminal, Male (18-20 AWG)	2
10	22-02394-01	Seal, Cable	2
11	22-02392-01	Connector, 2 Pin, Medium Gray	1
12	22-01585-02	Connector, Male, 2 Pin, Gray	2
13	AC701-237	Connector, 1/2 Inch Romax	2
14	AC301-204	Hose, Valve, Kazoo, 1 Inch x 3 Inches	2
15	22-02126-02	Cap, Insulator, Electrical	8
16	22-02126-03	Cap, Insulator, Electrical	8
17	22-01585-00SK	Connector, Male, 2 Pin, Black	3
18	22-02394-00	Seal, Cable, Gray (0.11 - 0.14 Cable OD)	2
19	22-02302-02	Connector, Liquid Tight, 1/2 Inch	3
20	58-62124-00	Tubing, Spiral, Flexible, 1/2 Inch Closed (100 Feet Roll)	1
21	68-62320-00	Cover, Relay Board, Painted	1
22	58-00065-85	Grommet, 0.88 ID x 1.12 Hole, 0.09 Inch Groove	1
23	22-02392-02	Connector, Female, 6 Pin, Black	1
24	22-62017-00	Cable Assembly, Battery, Black	1
25	22-62018-00	Cable Assembly, Battery, Red, #2 AWG x 102 Inches Long (Models -55, -68 Only)	1
	22-62018-01	Cable Assembly, Battery, Red, #2 AWG x 118 Inches Long (Model -84 Only)	
26	12-00391-03	Module, Drivers Display (Micromate Control Panel)	1
27	68-62125-00	Clamp, Retaining, Temperature Module, Painted	1
28	68-62402-00	Bracket, Mounting, Drivers Display, Painted	1
29	34-00667-07	Nut, Hex, Self-Locking, #06-32, SST	1
30	22-62063-00	Harness, A/C Control, 17.00 Inches Long - Includes:	1
31	22-62026-00	Connector, Plug, 6 Position	1
32	22-50145-00	Connector, Plug, 4 Position	1
33	22-50152-00	Terminal, Female Receptacle (16-26 AWG)	10
34	58-01368-00	Tubing, Spiral, Corrugated, 1/2 Inch Closed Red (25 Feet Roll)	A/R
35	AC202-210	Tubing, Flexible, 1/2 Inch Closed Black (25 Feet Roll)	1



2.19 Electrical Components - Models 68RM35-604-59, -69, -75, -85

Kits 68RM35-131-45  
68RM35-131-65



Note: Common Parts Are Listed In Section 2.1

Item	Part Number	Description	Qty
1	68RM35-168-37	Panel Assembly, Electrical, 68RM35-604-59, -69 (See Section 3.15)	1
	68RM35-168-47	Panel Assembly, Electrical, 68RM35-604-75, -85 (See Section 3.15)	
2	22-01565-00	Connector, Male, 22 Pin	1
3	68RM55-209-8	Cable Assembly, Battery, Black x 31.00 Inches Long	1
4	68RM55-210-9	Cable Assembly, Battery, Red x 31.00 Inches Long	1
5	62-62041-06	Label, <b>24 VOLT</b>	1
6	62-62041-04	Label, <b>POS +</b>	1
7	22-02392-00SV	Connector Kit, 2 Pin - Includes:	3
8	<b>NSS</b>	Connector, 2 Pin, Black	1
9	22-02393-00	Terminal, Male (14-16 AWG)	2
10	22-02393-01	Terminal, Male (18-20 AWG)	2



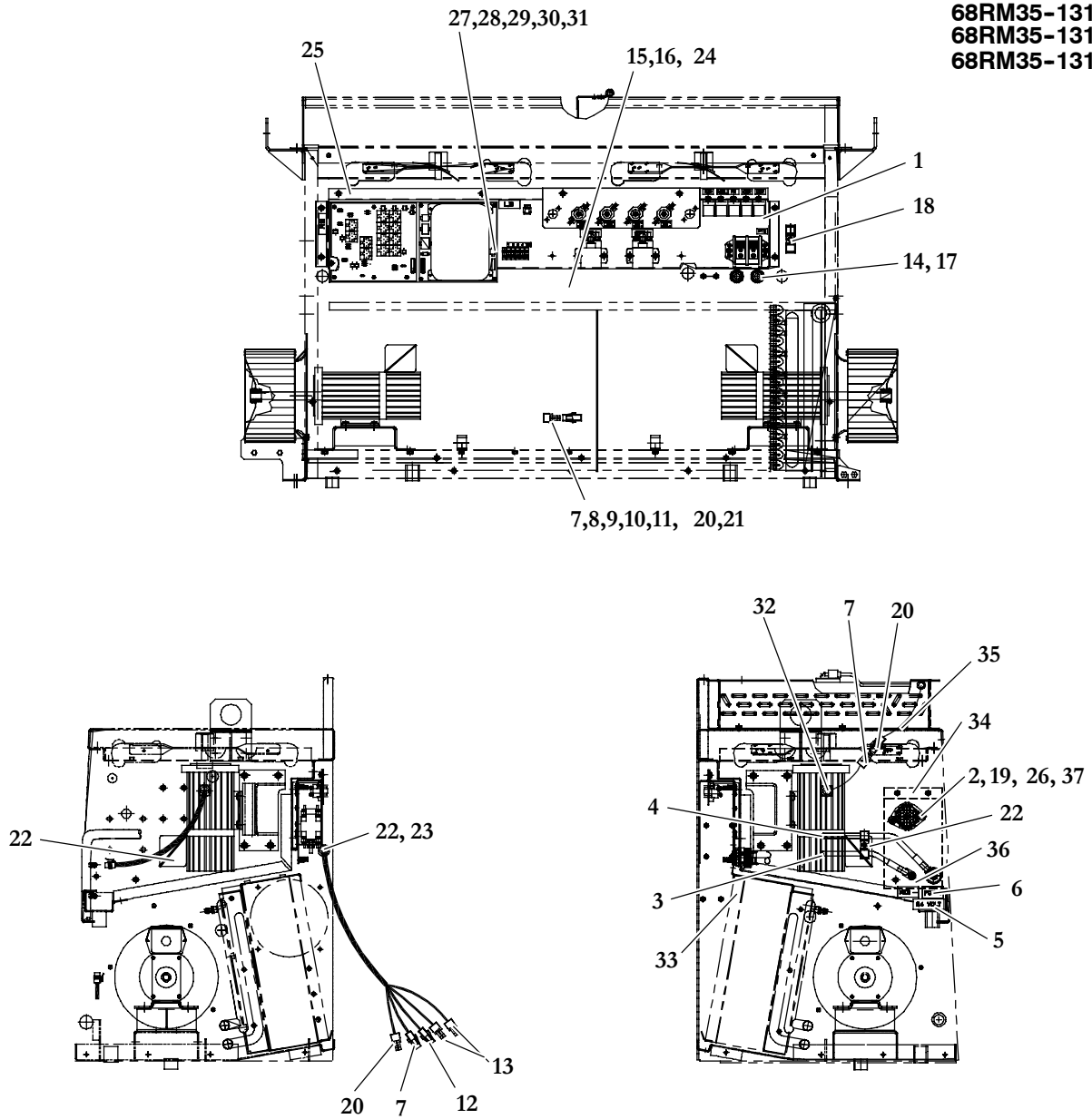
<b>2.19 Electrical Components - Models 68RM35-604-59, -69, -75, -85 (Continued)</b>			
<b>Item</b>	<b>Part Number</b>	<b>Description</b>	<b>Qty</b>
11	22-02394-01	Seal, Cable	2
12	22-02392-01	Connector, 2 Pin, Medium Gray	1
13	22-01585-02	Connector, Male, 2 Pin, Gray	2
14	22-01173-13	Connector, Straight, Liquid Tight	2
15	34-06179-01	Bolt, Hex Head, Slotted, SEMS, #10-24 x 1/2 Inch Long, SST	1
16	34-00662-09	Washer, Plain, #10, 0.032 Thick, SST	1
17	34-01268-01	Washer, Sealing, 1/2 NPT	2
18	34-00373-07	Clamp, Tube, Neoprene Cushion, 0.625 Inch Diameter	4
19	34-00666-11	Nut, Hex, 1/4-20 Inch, SST	2
20	22-01585-00SK	Connector, Male, 2 Pin, Black	2
21	22-02302-02	Connector, Liquid Tight, 1/2 Inch	1
22	58-62124-00	Tubing, Spiral, Flexible, 1/2 Inch Closed (100 Feet Roll)	1
23	AC201-244	Butt Connector, Crimp & Seal, 14-16 AWG	8
24	AC202-209	Tubing, Heat Shrink, 3/16 With Adhesive	2
25	34-00663-09	Washer, Split Lock, #10, SST	1
26	68-62320-00	Cover, Relay Board, Painted	1
27	22-50078-09A	Lock, Secondary	2
28	58-00065-85	Grommet, 0.88 ID x 1.12 Hole, 0.09 Inch Groove	2
29	68-62182-00	Cover, Painted	1
30	34-01279-13	Washer, Flat, 3/8, Grade 8, Zinc	2
31	34-00938-14	Washer, Lock, Internal Tooth, 7/16, Brass	2
32	34-00704-06	Screw, Cap, Hex Head, 7/16-20 x 3/4 Inch Long, Grade 8	2
33	22-62015-00	Terminal, Ring, #2 AWG, 1/2 Inch Stud	2
34	44-00102-51	Clamp, Tube, 1/2 Inch OD, With Neoprene Cushion, SST	3
35	66U1-2583-42	Tubing, Heat Shrink, 3/4 x 3.00 Inches Long	3
36	62-62041-05	Label, <b>NEG</b> -	1
37	62-62041-22	Label, <b>ESR</b>	1
38	22-00121-27	Terminal, Ring, #10, 22-16 AWG, Red Vinyl	2
39	12-00391-03	Module, Drivers Display (Micromate Control Panel)	1
40	68-62125-00	Clamp, Retaining, Temperature Module, Painted	1
41	68-62402-00	Bracket, Mounting, Drivers Display, Painted	1
42	34-00667-07	Nut, Hex, Self-Locking, #06-32, SST	1
43	22-62063-00	Harness, A/C Control, 17.00 Inches Long - Includes:	1
44	22-62026-00	Connector, Plug, 6 Position	1
45	22-50145-00	Connector, Plug, 4 Position	1
46	22-50152-00	Terminal, Female Receptacle (16-26 AWG)	10





2.20 Electrical Components - Models 68RM35-604-63, -66, -79, -82

Kits 68RM35-131-47  
68RM35-131-49  
68RM35-131-67  
68RM35-131-69



Note: Common Parts Are Listed In Section 2.1

Item	Part Number	Description	Qty
1	68RM35-168-38	Panel Assembly, Electrical, 68RM35-604-63, -66 (See Section 3.16)	1
	68RM35-168-48	Panel Assembly, Electrical, 68RM35-604-79, -82 (See Section 3.16)	
2	22-01565-00	Connector, Male, 22 Pin	1
3	68RM55-209-3	Cable Assembly, Battery, Black x 34.00 Inches Long	1
4	68RM55-210-3	Cable Assembly, Battery, Red x 34.00 Inches Long	1
5	62-62041-06	Label, 24 VOLT	1
6	62-62041-04	Label, POS +	1

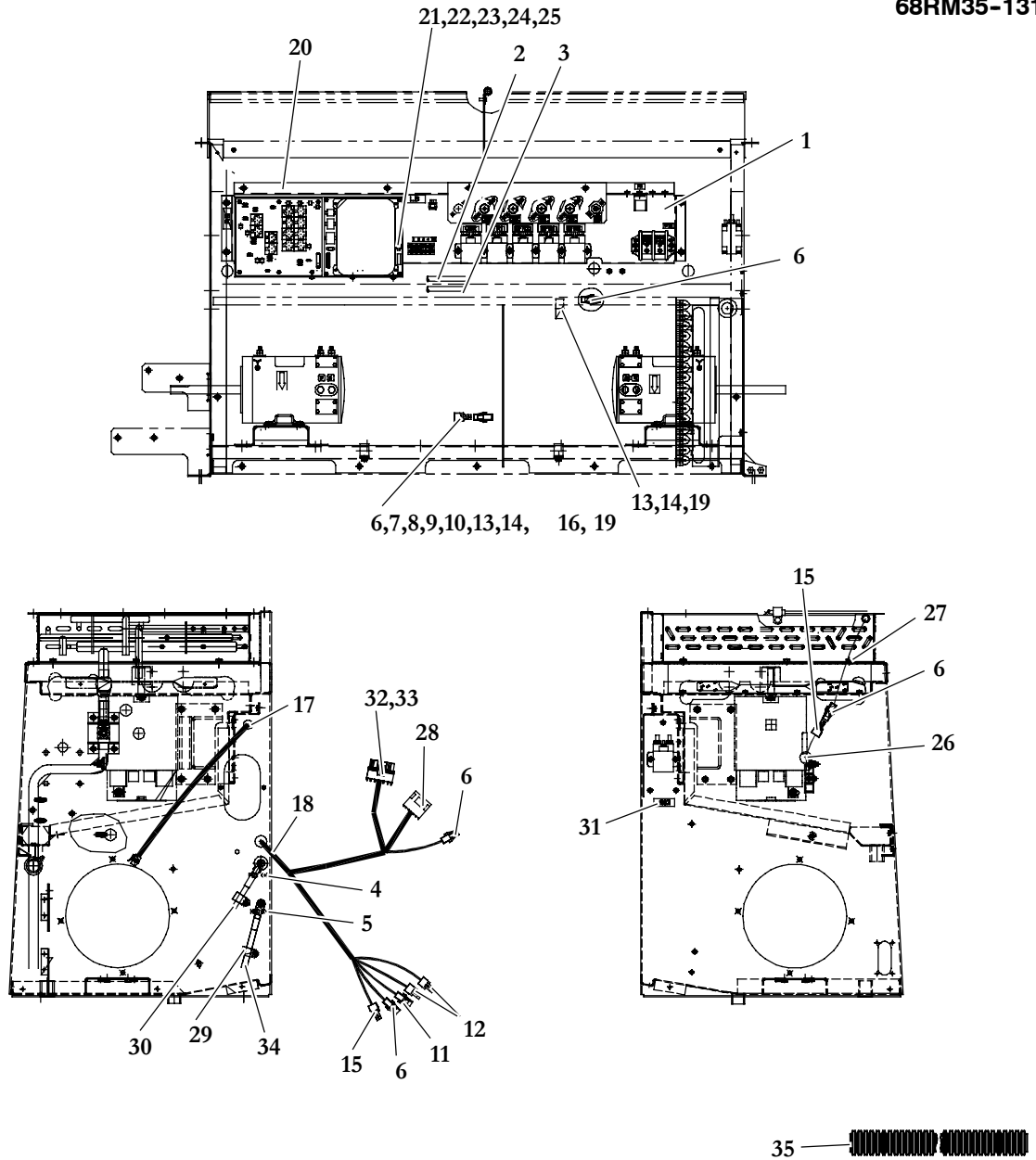


<b>2.20 Electrical Components - Models 68RM35-604-63, -66, -79, -82 (Continued)</b>			
<b>Item</b>	<b>Part Number</b>	<b>Description</b>	<b>Qty</b>
7	22-02392-00SV	Connector Kit, 2 Pin - Includes:	3
8	<b>NSS</b>	Connector, 2 Pin, Black	1
9	22-02393-00	Terminal, Male (14-16 AWG)	2
10	22-02393-01	Terminal, Male (18-20 AWG)	2
11	22-02394-01	Seal, Cable	2
12	22-02392-01	Connector, 2 Pin, Medium Gray	1
13	22-01585-02	Connector, Male, 2 Pin, Gray	2
14	22-01173-13	Connector, Straight, Liquid Tight	2
15	34-06179-01	Bolt, Hex Head, Slotted, SEMS, #10-24 x 1/2 Inch Long, SST	1
16	34-00662-09	Washer, Plain, #10, 0.032 Thick, SST	1
17	34-01268-01	Washer, Sealing, 1/2 NPT	2
18	34-00373-07	Clamp, Tube, Neoprene Cushion, 0.625 Inch Diameter	4
19	34-00666-11	Nut, Hex, 1/4-20 Inch, SST	2
20	22-01585-00SK	Connector, Male, 2 Pin, Black	3
21	22-02394-00	Seal, Cable, Gray (0.11 - 0.14 Cable OD)	2
22	22-02302-02	Connector, Liquid Tight, 1/2 Inch	3
23	58-62124-00	Tubing, Spiral, Flexible, 1/2 Inch Closed (100 Feet Roll)	1
24	34-00663-09	Washer, Split Lock, #10, SST	1
25	68-62320-00	Cover, Relay Board, Painted	1
26	22-50078-09A	Lock, Secondary	2
27	22-62176-00	Wire Harness, Remote, 61.00 Inches Long - Includes:	1
28	22-50145-00	Connector, Plug, 4 Pin	1
29	22-50152-00	Terminal, Female Receptacle (16-26 AWG)	4
30	22-02394-02	Seal, Cable, Green (0.06 - 0.08 Cable OD)	4
31	22-01566-01	Terminal, Female (18-20 AWG)	4
32	58-00065-85	Grommet, 0.88 ID x 1.12 Hole, 0.09 Inch Groove	2
33	58-04040-00	Plug, Button, 7/8 Inch Diameter Hole (Used on Kits -49 & -69 only)	1
34	68-62182-00	Cover, Painted	1
35	44-00102-51	Clamp, Tube, 1/2 Inch OD, With Neoprene Cushion, SST	1
36	62-62041-05	Label, <b>NEG -</b>	1
37	22-01565-01	Plug, Cavity, Terminal	17



2.21 Electrical Components - Models 68RM35-604-67, -83

Kits 68RM35-131-46  
68RM35-131-66



Note: Common Parts Are Listed In Section 2.1

Item	Part Number	Description	Qty
1	68RM35-168-31	Panel Assembly, Electrical, 68RM35-604-67 (See Section 3.4)	1
	68RM35-168-41	Panel Assembly, Electrical, 68RM35-604-83 (See Section 3.4)	
2	68RM55-209-14	Cable Assembly, Battery, Black x 50.00 Inches Long	1
3	22-62186-00	Cable Assembly, Battery, Red x 50.00 Inches Long	1
4	62-62041-04	Label, POS +	1
5	62-62041-05	Label, NEG -	1
6	22-02392-00SV	Connector Kit, 2 Pin - Includes:	4
7	NSS	Connector, 2 Pin, Black	1

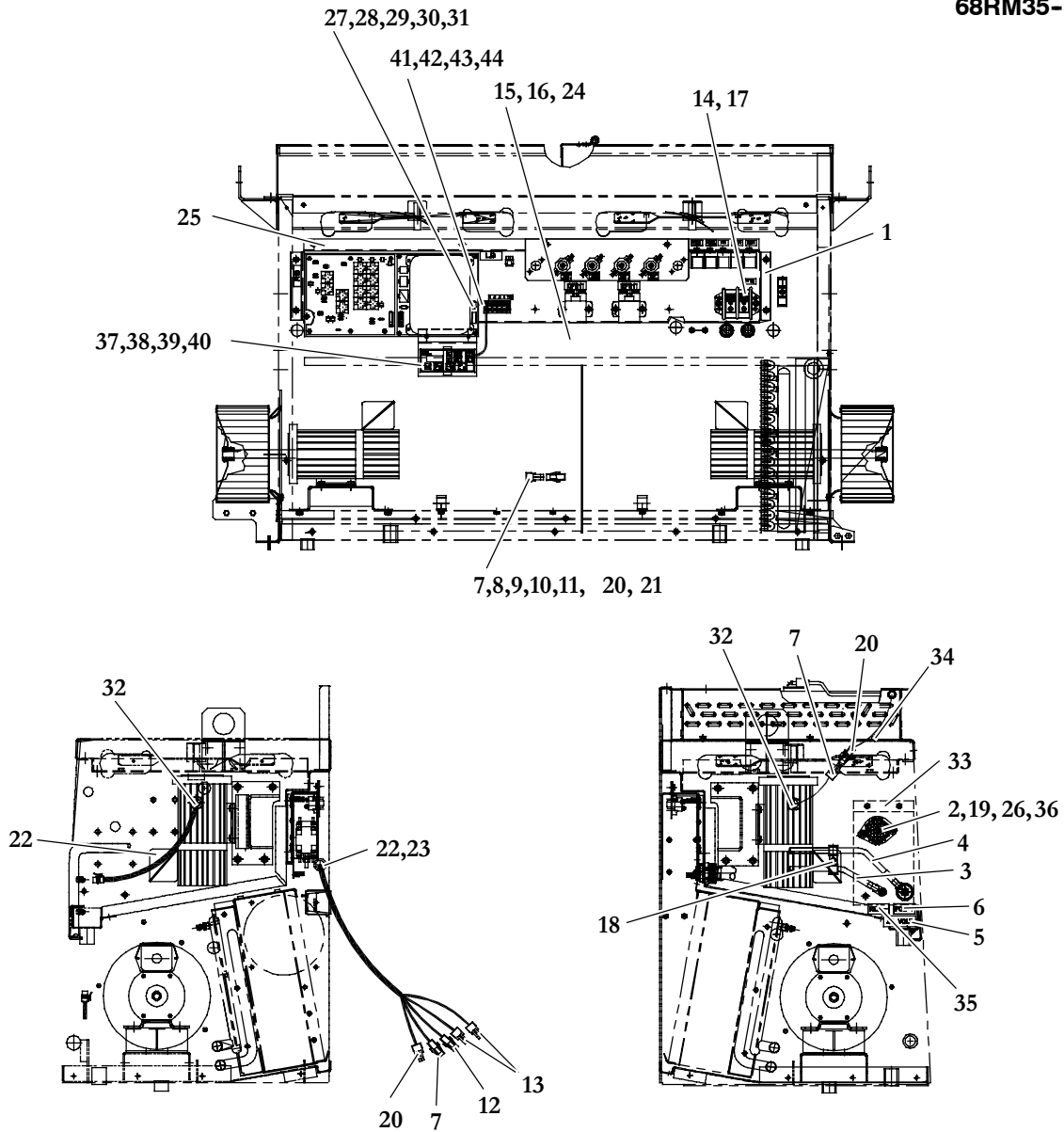


<b>2.21 Electrical Components - Models 68RM35-604-67, -83 (Continued)</b>			
<b>Item</b>	<b>Part Number</b>	<b>Description</b>	<b>Qty</b>
8	22-02393-00	Terminal, Male (14-16 AWG)	2
9	22-02393-01	Terminal, Male (18-20 AWG)	2
10	22-02394-01	Seal, Cable	2
11	22-02392-01	Connector, 2 Pin, Medium Gray	1
12	22-01585-02	Connector, Male, 2 Pin, Gray	2
13	34-06179-01	Bolt, Hex Head, Slotted, SEMS, #10-24 x 1/2 Inch Long, SST	1
14	34-00662-09	Washer, Plain, #10, 0.032 Thick, SST	1
15	22-01585-00SK	Connector, Male, 2 Pin, Black	3
16	22-02394-00	Seal, Cable, Gray (0.11 - 0.14 Cable OD)	2
17	22-02302-02	Connector, Liquid Tight, 1/2 Inch	1
18	58-62124-00	Tubing, Spiral, Flexible, 1/2 Inch Closed (100 Feet Roll)	1
19	34-00663-09	Washer, Split Lock, #10, SST	1
20	68-62320-00	Cover, Relay Board, Painted	1
21	22-62097-00	Wire Harness, Remote, 63.00 Inches Long - Includes:	1
22	22-50145-00	Connector, Plug, 4 Pin	1
23	22-50152-00	Terminal, Female Receptacle (16-26 AWG)	4
24	22-02394-02	Seal, Cable, Green (0.06 - 0.08 Cable OD)	4
25	22-01566-01	Terminal, Female (18-20 AWG)	4
26	58-00065-85	Grommet, 0.88 ID x 1.12 Hole, 0.09 Inch Groove	1
27	44-00102-51	Clamp, Tube, 1/2 Inch OD, With Neoprene Cushion, SST	1
28	22-02392-02	Connector, Female, 6 Pin, Black	1
29	22-62017-00	Cable Assembly, Battery, Black	1
30	22-62018-00	Cable Assembly, Battery, Red	1
31	62-62041-22	Label, <b>ESR</b>	1
32	22-01565-01	Plug, Cavity, Terminal	2
33	22-01585-03	Connector, Male, 6 Pin	1
34	44-00102-06	Clamp, Tube, 7/8 Inch OD, With Neoprene Cushion, SST	2
35	58-01368-00	Tubing, Spiral, Corrugated, 1/2 Inch Closed Red (25 Feet Roll)	A/R



2.22 Electrical Components - Models 68RM35-604-70, -86

Kits 68RM35-131-50  
68RM35-131-70



Note: Common Parts Are Listed In Section 2.1

Item	Part Number	Description	Qty
1	68RM35-168-38	Panel Assembly, Electrical, 68RM35-604-70 (See Section 3.16)	1
	68RM35-168-48	Panel Assembly, Electrical, 68RM35-604-86 (See Section 3.16)	
2	22-01565-00	Connector, Male, 22 Pin	1
3	68RM55-209-3	Cable Assembly, Battery, Black x 34.00 Inches Long	1
4	68RM55-210-3	Cable Assembly, Battery, Red x 34.00 Inches Long	1
5	62-62041-06	Label, <b>24 VOLT</b>	1
6	62-62041-04	Label, <b>POS +</b>	1
7	22-02392-00SV	Connector Kit, 2 Pin - Includes:	3

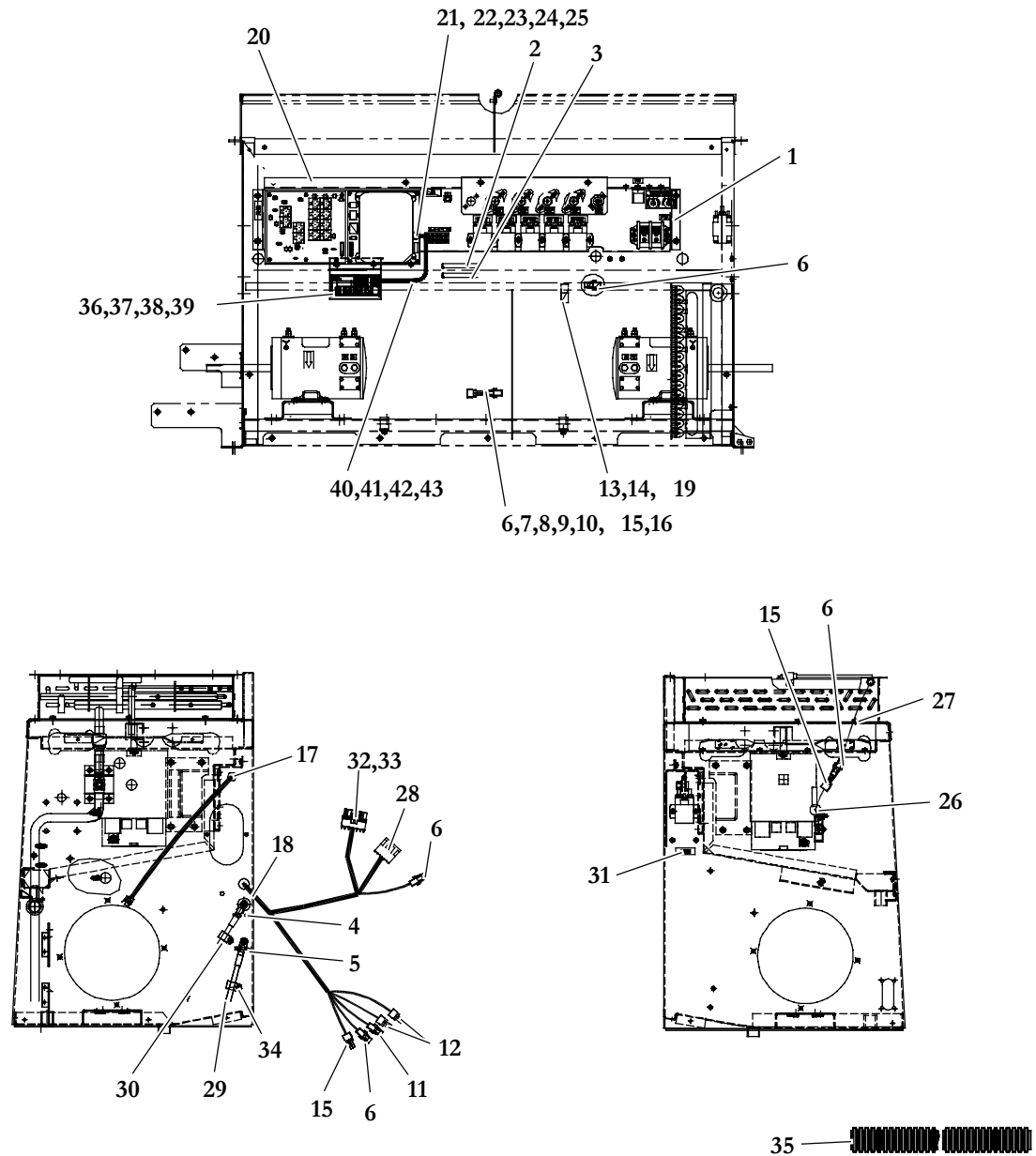


<b>2.22 Electrical Components - Models 68RM35-604-70, -86 (Continued)</b>			
<b>Item</b>	<b>Part Number</b>	<b>Description</b>	<b>Qty</b>
8	NSS	Connector, 2 Pin, Black	1
9	22-02393-00	Terminal, Male (14-16 AWG)	2
10	22-02393-01	Terminal, Male (18-20 AWG)	2
11	22-02394-01	Seal, Cable	2
12	22-02392-01	Connector, 2 Pin, Medium Gray	1
13	22-01585-02	Connector, Male, 2 Pin, Gray	2
14	22-01173-13	Connector, Straight, Liquid Tight	2
15	34-06179-01	Bolt, Hex Head, Slotted, SEMS, #10-24 x 1/2 Inch Long, SST	1
16	34-00662-09	Washer, Plain, #10, 0.032 Thick, SST	1
17	34-01268-01	Washer, Sealing, 1/2 NPT	2
18	34-00373-07	Clamp, Tube, Neoprene Cushion, 0.625 Inch Diameter	4
19	34-00666-11	Nut, Hex, 1/4-20 Inch, SST	2
20	22-01585-00SK	Connector, Male, 2 Pin, Black	3
21	22-02394-00	Seal, Cable, Gray (0.11 - 0.14 Cable OD)	2
22	22-02302-02	Connector, Liquid Tight, 1/2 Inch	3
23	58-62124-00	Tubing, Spiral, Flexible, 1/2 Inch Closed (100 Feet Roll)	1
24	34-00663-09	Washer, Split Lock, #10, SST	1
25	68-62320-00	Cover, Relay Board, Painted	1
26	22-50078-09A	Lock, Secondary	2
27	22-62176-00	Wire Harness, Remote, 61.00 Inches Long - Includes:	1
28	22-50145-00	Connector, Plug, 4 Pin	1
29	22-50152-00	Terminal, Female Receptacle (16-26 AWG)	4
30	22-02394-02	Seal, Cable, Green (0.06 - 0.08 Cable OD)	4
31	22-01566-01	Terminal, Female (18-20 AWG)	4
32	58-00065-85	Grommet, 0.88 ID x 1.12 Hole, 0.09 Inch Groove	2
33	68-62182-00	Cover, Painted	1
34	44-00102-51	Clamp, Tube, 1/2 Inch OD, With Neoprene Cushion, SST	1
35	62-62041-05	Label, <b>NEG -</b>	1
36	22-01565-01	Plug, Cavity, Terminal	17
37	12-00391-03	Module, Drivers Display (Micromate Control Panel)	1
38	68-62125-00	Clamp, Retaining, Temperature Module, Painted	1
39	68-62402-00	Bracket, Mounting, Drivers Display, Painted	1
40	34-00667-07	Nut, Hex, Self-Locking, #06-32, SST	1
41	22-62063-00	Harness, A/C Control, 17.00 Inches Long - Includes:	1
42	22-62026-00	Connector, Plug, 6 Position	1
43	22-50145-00	Connector, Plug, 4 Position	1
44	22-50152-00	Terminal, Female Receptacle (16-26 AWG)	10



2.23 Electrical Components - Models 68RM35-604-71, -87

Kits 68RM35-131-51  
68RM35-131-71



Note: Common Parts Are Listed In Section 2.1

Item	Part Number	Description	Qty
1	68RM35-168-39	Panel Assembly, Electrical, 68RM35-604-71 (See Section 3.17)	1
	68RM35-168-49	Panel Assembly, Electrical, 68RM35-604-87 (See Section 3.17)	
2	68RM55-209-14	Cable Assembly, Battery, Black x 50.00 Inches Long	1
3	22-62186-00	Cable Assembly, Battery, Red x 50.00 Inches Long	1
4	62-62041-04	Label, POS +	1
5	62-62041-05	Label, NEG -	1
6	22-02392-00SV	Connector Kit, 2 Pin - Includes:	4
7	NSS	Connector, 2 Pin, Black	1



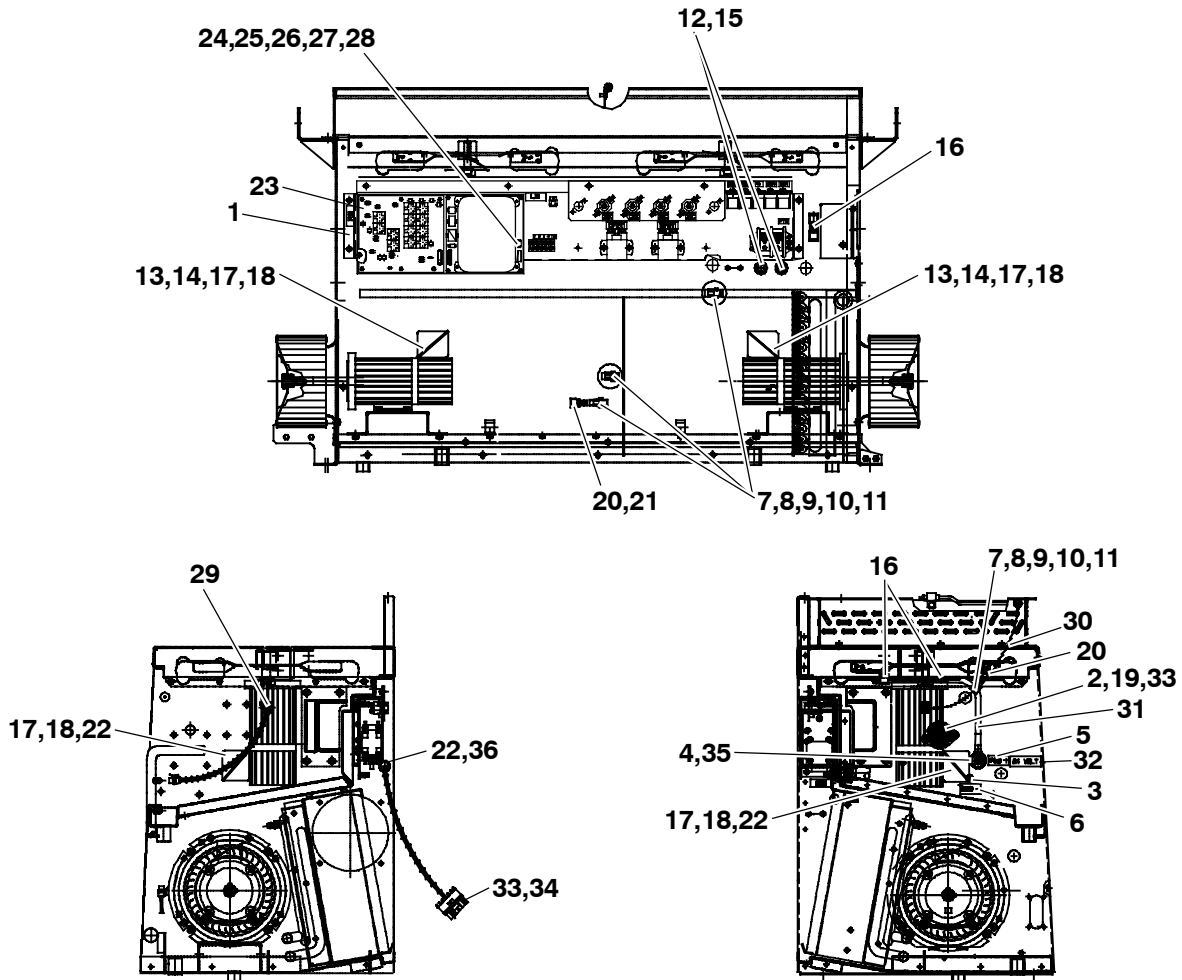
<b>2.23 Electrical Components - Models 68RM35-604-71, -87 (Continued)</b>			
<b>Item</b>	<b>Part Number</b>	<b>Description</b>	<b>Qty</b>
8	22-02393-00	Terminal, Male (14-16 AWG)	2
9	22-02393-01	Terminal, Male (18-20 AWG)	2
10	22-02394-01	Seal, Cable	2
11	22-02392-01	Connector, 2 Pin, Medium Gray	1
12	22-01585-02	Connector, Male, 2 Pin, Gray	2
13	34-06179-01	Bolt, Hex Head, Slotted, SEMS, #10-24 x 1/2 Inch Long, SST	1
14	34-06212-00	Washer, Plain, #10, Type A, SST	1
15	22-01585-00SK	Connector, Male, 2 Pin, Black	3
16	22-02394-00	Seal, Cable, Gray (0.11 - 0.14 Cable OD)	2
17	22-02302-02	Connector, Liquid Tight, 1/2 Inch	1
18	22-02301-02	Tubing, Spiral, Flexible, 1/2 Inch Closed (100 Feet Roll)	1
19	34-00663-09	Washer, Split Lock, #10, SST	1
20	68-62320-00	Cover, Relay Board, Painted	1
21	22-62097-00	Wire Harness, Remote, 63.00 Inches Long - Includes:	1
22	22-50145-00	Connector, Plug, 4 Pin	1
23	22-50152-00	Terminal, Female Receptacle (16-26 AWG)	4
24	22-02394-02	Seal, Cable, Green (0.06 - 0.08 Cable OD)	4
25	22-01566-01	Terminal, Female (18-20 AWG)	4
26	58-00065-85	Grommet, 0.88 ID x 1.12 Hole, 0.09 Inch Groove	1
27	44-00102-51	Clamp, Tube, 1/2 Inch OD, With Neoprene Cushion, SST	1
28	22-02392-02	Connector, Female, 6 Pin, Black	1
29	22-62017-00	Cable Assembly, Battery, Black	1
30	22-62018-00	Cable Assembly, Battery, Red	1
31	62-62041-22	Label, <b>ESR</b>	1
32	22-01565-01	Plug, Terminal Cavity	2
33	22-01585-03	Connector, Male, 6 Pin	1
34	44-00102-06	Clamp, Tube, 7/8 Inch OD, With Neoprene Cushion, SST	2
35	58-01368-00	Tubing, Spiral, Corrugated, 1/2 Inch Closed Red (25 Feet Roll)	A/R
36	12-00391-03	Module, Drivers Display (Micromate Control Panel) (-71 Only)	1
37	68-62125-00	Clamp, Retaining, Temperature Module, Painted (-71 Only)	1
38	68-62402-00	Bracket, Mounting, Drivers Display, Painted (-71 Only)	1
39	34-00667-07	Nut, Hex, Self-Locking, #06-32, SST (-71 Only)	1
40	22-62063-00	Harness, A/C Control, 17.00 Inches Long (-71 Only) - Includes:	1
41	22-62026-00	Connector, Plug, 6 Position (-71 Only)	1
42	22-50145-00	Connector, Plug, 4 Position (-71 Only)	1
43	22-50152-00	Terminal, Female Receptacle (16-26 AWG) (-71 Only)	10





2.24 Electrical Components - Models 68RM35-604-96

Kit 77-00247-08



Note: Common Parts Are Listed In Section 2.1

Item	Part Number	Description	Qty
1	91-01167-04	Panel Assembly, Electrical (See Section 3.13)	1
2	22-01565-00	Connector, Male, 22 Pin	1
3	68RM55-209-14	Cable Assembly, Battery, Black x 50.00 Inches Long	1
4	22-62186-00	Cable Assembly, Battery, Red x 50.00 Inches Long, Internal	1
5	62-62041-04	Label, POS +	1
6	62-62041-05	Label, NEG -	1
7	22-02392-00SV	Connector Kit, 2 Pin - Includes:	3
8	NSS	Connector, 2 Pin, Black	1

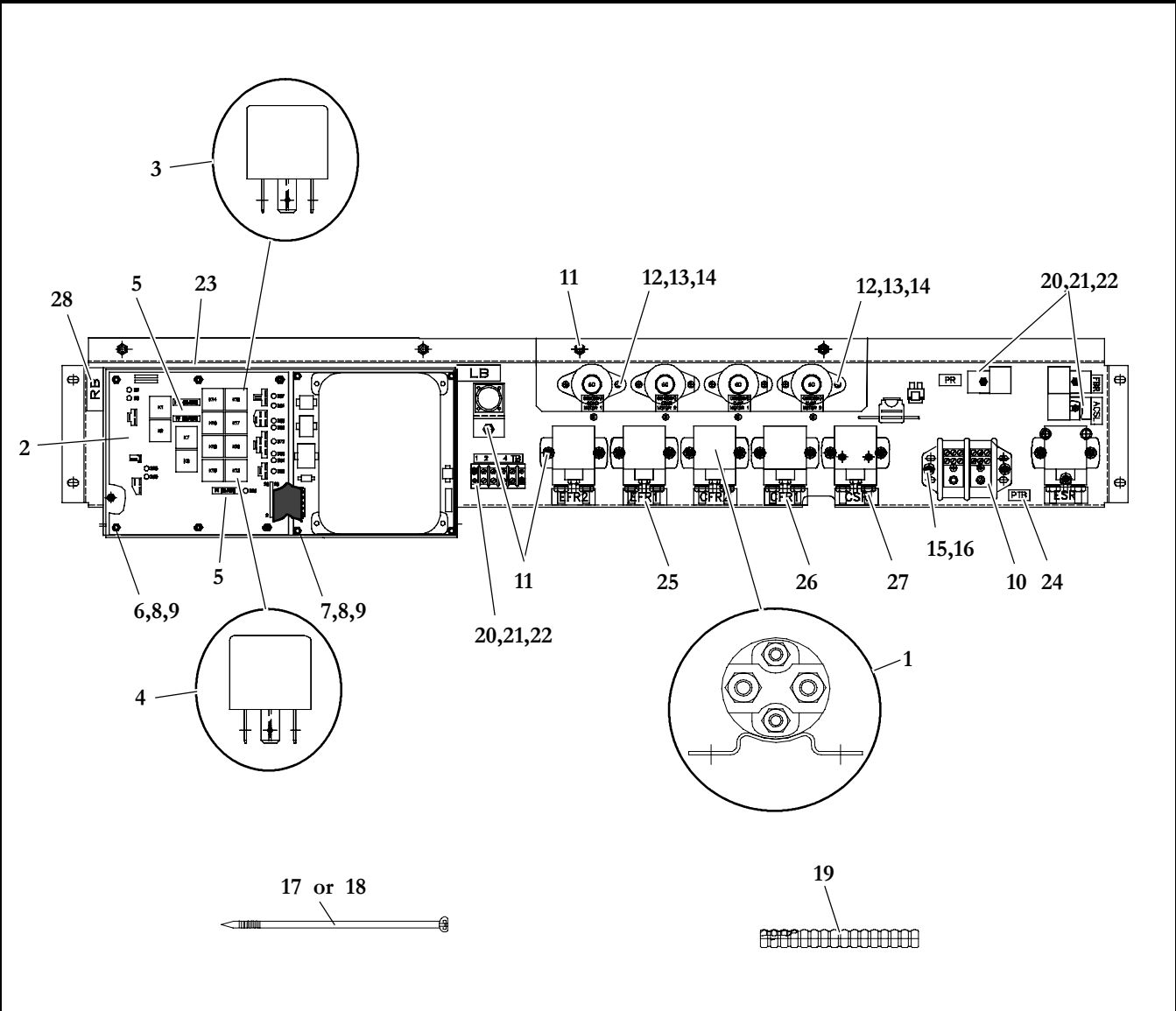


<b>2.24 Electrical Components - Models 68RM35-604-96 (Continued)</b>			
<b>Item</b>	<b>Part Number</b>	<b>Description</b>	<b>Qty</b>
9	22-02393-00	Terminal, Male (14-16 AWG)	2
10	22-02393-01	Terminal, Male (18-20 AWG)	2
11	22-02394-01	Seal, Cable	2
12	AC202-418	Connector, Liquid Tight, Straight, Cable 0.230 - 0.546	2
13	AC701-237	Connector, 1/2 Inch Romax	2
14	AC301-204	Hose, Valve, Kazoo, 1 Inch x 3 Inches	1
15	34-01268-01	Washer, Sealing, 1/2 NPT	2
16	34-00373-07	Clamp, Tube, Neoprene Cushion, 0.625 Inch Diameter	3
17	AC201-217	Terminal, Closed End Connector	8
18	22-02126-03	Cap, Insulator, Electrical	8
19	34-00666-11	Nut, Hex, 1/4-20 Inch, SST	2
20	22-01585-00SK	Connector, Male, 2 Pin, Black	2
21	22-02394-00	Seal, Cable, Gray (.11 - .14 Cable OD)	2
22	22-02302-02	Connector, Liquid Tight, 1/2 Inch	2
23	68-62320-00	Cover, Relay Board, Painted	1
24	22-62097-00	Wire Harness, Remote, 63.00 Inches Long - Includes:	1
25	22-50145-00	Connector, Plug, 4 Pin	1
26	22-50152-00	Terminal, Female Receptacle (16-26 AWG)	4
27	22-02394-02	Seal, Cable, Green (.06 - .08 Cable OD)	4
28	22-01566-01	Terminal, Female (18-20 AWG)	4
29	58-00065-85	Grommet, 0.88 ID x 1.12 Hole, .09 Inch Groove	1
30	44-00102-51	Clamp, Tube, 1/2 Inch OD, With Neoprene Cushion, SST	1
31	22-62018-02	Cable Assembly, Battery, Red, #2 AWG x 80.00 Inches Long, External	1
32	62-62041-06	Label, <b>24 VOLT</b>	1
33	22-01565-01	Plug, Terminal Cavity	10
34	22-50099-00	Connector, Female, 6 Pin, Black	1
35	58-01368-00	Tubing, Spiral, Corrugated, 1/2 Inch Closed Red (25 Feet Roll)	1
36	AC202-210	Tubing, Flexible, 1/2 Inch, Closed (25 Feet)	1



**3 ELECTRICAL CONTROL PANELS**

**3.1 Electrical Control Panel - Common Parts**



Item	Part Number	Description	Qty
1	10-00300-02	Contactor, 28 VDC, SPNO	A/R
2	12-00371-01	Board, Relay - Includes:	1
3	10-00286-11	Relay, 24 VDC, 40 Amp, SPDT	11
4	10-00286-12	Relay, 24 VDC, 40 Amp, SPDT (K13 Only)	1
5	22-02336-06	Fuse, 15 Amp	3

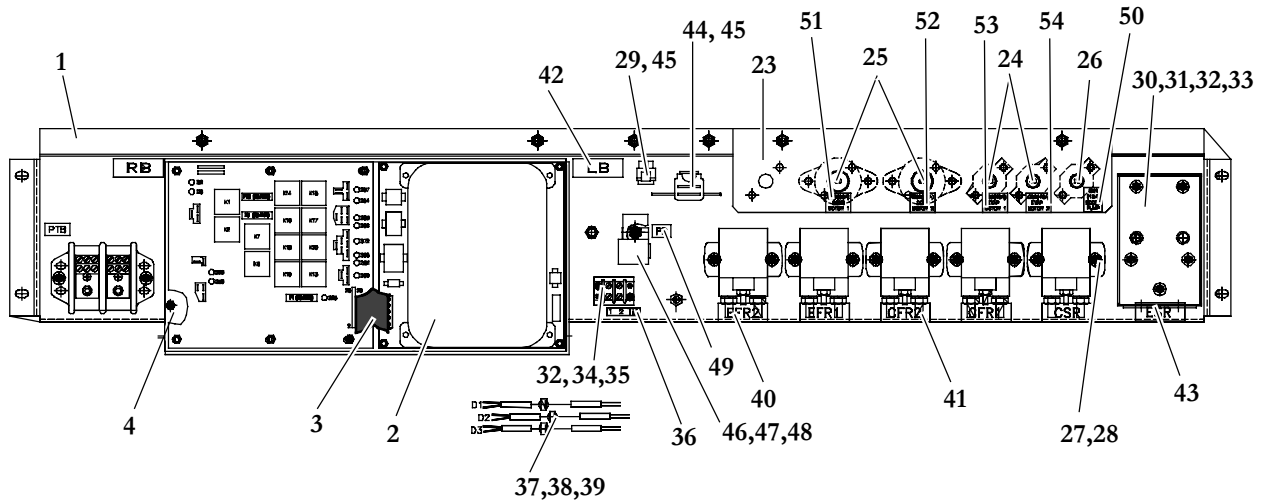


<b>3.1 Electrical Control Panel - Common Parts</b>			
<b>Item</b>	<b>Part Number</b>	<b>Description</b>	<b>Qty</b>
6	34-62000-00	Spacer, Nylon, 5/16 Diameter x 1/2 Inch Long	6
7	34-62000-01	Spacer, Nylon, 5/16 Diameter x 1/4 Inch Long	4
8	58-00511-08	Washer, Nylon	10
9	34-00360-09	Nut, Hex, Self-Locking #10-32, Zinc Plated	10
10	22-01594-00	Terminal Block, Power	1
11	34-62055-00	Bolt, Hex Head Sems, With Split Lockwasher, 1/4-20 x 5/8 Long, SST	A/R
12	34-06179-03	Bolt, Hex Head, Slotted, SEMS, #10-24 x 1.00 Inch Long, SST	A/R
13	34-06212-10	Washer, Plain, #10, Type A, SST	A/R
14	34-00667-09	Nut, Hex, Self-Locking #10-24, SST	A/R
15	34-06212-12	Washer, Plain, 1/4 Inch, Type A, SST	2
16	34-00663-11	Washer, Split Lock, 1/4 Inch, SST	2
17	66U1-3882	Wire Tie, Self-Locking, 7.00 Inches	A/R
18	58-00079-00	Sta-Strap, Cable Clamp, 0 - 4.00 Inch Diameter, Black	A/R
19	58-00850-00	Tubing, Split, Corrugated, 1.00 Inch ID x 75 Feet Long	1
20	34-06212-08	Washer, Plain, #8, Type A, SST	A/R
21	34-00663-08	Washer, Split Lock, #8, SST	A/R
22	34-06264-04	Screw, Hex Head Slotted, #8-32 x 1/2 Inch Long, SST	A/R
23	42-62005-00	Gasket, Relay Board	1
24	62-62041-26	Label, <b>PTB</b>	1
25	62-62041-20	Label, <b>EFR1</b>	1
26	62-62041-11	Label, <b>CFR1</b>	1
27	62-62041-16	Label, <b>CSR</b>	1
28	62-62041-27	Label, <b>RB</b>	1



3.2 Electrical Control Panel - Model 68RM35-104-40

Kit 68RM35-168-23



5: Includes Items 6 Thru 22



Note: Common Parts Are Listed In Section 3.1

Item	Part Number	Description	Qty
1	68-62274-00	Panel Assembly, Electrical, Painted	1
2	12-00392-15	Module, Logic Controller 24VDC (300 PSI) - Includes:	1
3	22-50236-00	Harness, Ribbon Cable, 26 Pin (Logic Module to Relay Board)	1
4	68RM40-157	Panel Assembly, Relay Board & Logic Module, Painted	1
5	68RM35-148-24	Wire Harness, Complete, R-22, PM/PM - Includes:	1
6	22-50144-00	Connector, 4 Position, (J1)	1
7	22-50145-00	Connector, 4 Position (J2)	1
8	22-50146-00	Connector, 9 Position (J3)	1
9	22-50143-00	Connector, 15 Position (J4)	1
10	CM983-618	Connector, 24 Position (J6)	1
11	22-50135-00	Connector, Female, 3 Position (JP3) (JP7)	2
12	22-50136-00	Connector, Female, 6 Position (JP4)	1
13	22-50137-00	Connector, Female, 5 Position (JP5)	1
14	22-50138-00	Connector, Female, 4 Position (JP6)	1
15	22-50134-00	Connector, Female, 2 Position (JP8)	1
16	22-50275-00	Connector, Female, 3 Position (JP9)	1
17	22-50153-00	Terminal, Socket, Female (J1)	2
18	22-50152-00	Terminal, Socket, Female (J2,J3,J4,J6)	17
19	22-50148-00	Terminal, Female (JP3 Thru JP9)	22
20	22-01566-00	Terminal, Socket, Female (14-16 AWG)	14
21	22-02393-00	Terminal, Male (14-16 AWG)	8
22	12-00495-02SV	Thermistor Sensor Kit, Return Air (Replacement For 12-00305-04)	1

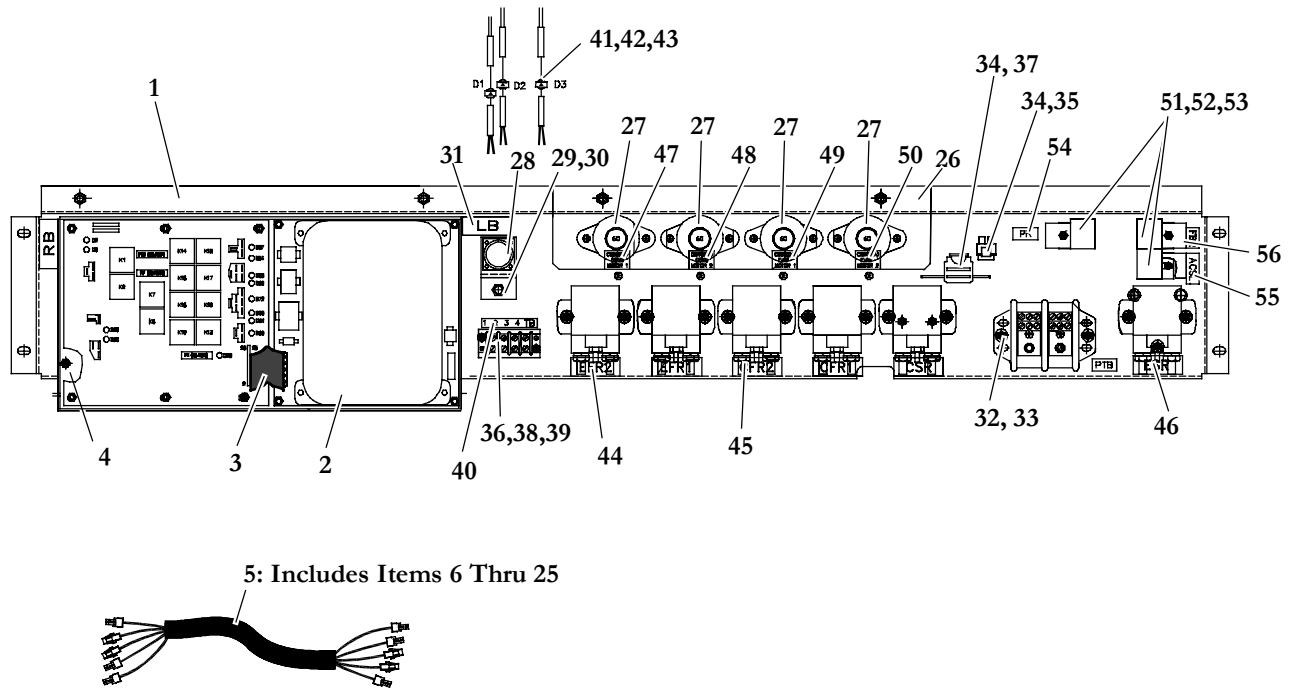


<b>3.2 Electrical Control Panel - Model 68RM35-104-40</b>			
<b>Item</b>	<b>Part Number</b>	<b>Description</b>	<b>Qty</b>
23	68RM55-1028P	Panel, Circuit Breaker, Painted	1
24	10-00247-05	Breaker, Circuit - 40 AMP	2
25	10-00307-01	Breaker, Circuit - 60 AMP	2
26	10-00247-03	Breaker, Circuit - 15 AMP	1
27	66U1-5371-7	Screw, Hex Head Slotted, #10-24 x 1/2 Inch Long, SST	10
28	34-00663-09	Washer, Split Lock, #10, SST	12
29	22-01449-00	Clip, Wire & Cord	1
30	10-00309-00	Relay, Evaporator Speed, 24VDC	1
31	10-00314-00	Cover, Relay	1
32	34-06264-06	Screw, Hex Head Slotted, #8-32 x 3/4 Inch Long, SST	4
33	AC801-604	Grommet, 5/8 ID x 7/8 Hole, 1/8 Inch Groove	2
34	22-01563-04	Terminal Block, 2 Poles	1
35	22-01612-00	Jumper, Terminal Block	1
36	62-62040-02	Label, <b>1,2 TB</b>	1
37	AC201-600	Diode, In-Line, 6 AMP	4
38	AC201-244	Terminal, Butt Connector, 14-16 AWG	8
39	AC202-209	Tubing, Heat Shrink, 3/16, W/Adhesive	2
40	62-62041-21	Label, <b>EFR2</b>	1
41	62-62041-13	Label, <b>CFR2</b>	1
42	62-62041-24	Label, <b>LB</b>	1
43	62-62041-22	Label, <b>ESR</b>	1
44	22-02338-02	Holder, Fuse	1
45	22-02336-04	Fuse, 10 AMP	2
46	10-00286-09	Relay, SPDT, 24VDC	1
47	AC201-931	Lock, Connector	1
48	AC201-901	Connector, Relay Socket	1
49	62-62041-25	Label, <b>PR</b>	1
50	62-62044-00	Label, <b>CB1, Boost Pump (15 AMP)</b>	1
51	62-62043-07	Label, <b>CB5 (60 A) Cond Motor 1</b>	1
52	62-62043-05	Label, <b>CB4 (60 A) Cond Motor 2</b>	1
53	62-62043-02	Label, <b>CB3 (40 A) Evap Motor 1</b>	1
54	62-62043-00	Label, <b>CB2 (40 A) Evap Motor 2</b>	1



3.3 Electrical Control Panel - Model 68RM35-104-41

Kit 68RM35-168-27



Note: Common Parts Are Listed In Section 3.1

Item	Part Number	Description	Qty
1	68-62477-00	Panel Assembly, Electrical, Painted	1
2	12-00392-15	Module, Logic Controller 24VDC (300 PSI) - Includes:	1
3	22-50236-00	Harness, Ribbon Cable, 26 Pin (Logic Module to Relay Board)	1
4	68RM40-157	Panel Assembly, Relay Board & Logic Module, Painted	1
5	22-62043-00	Wire Harness, WF/WF Micromax - Includes:	1
6	22-50144-00	Connector, 4 Position, (J1)	1
7	22-50145-00	Connector, 4 Position (J2)	1
8	22-50146-00	Connector, 9 Position (J3)	1
9	22-50143-00	Connector, 15 Position (J4)	1
10	CM983-618	Connector, 24 Position (J6)	1
11	22-50135-00	Connector, Female, 3 Position (JP3) (JP7)	2
12	22-50136-00	Connector, Female, 6 Position (JP4)	1
13	22-50137-00	Connector, Female, 5 Position (JP5)	1
14	22-50138-00	Connector, Female, 4 Position (JP6)	1
15	22-50134-00	Connector, Female, 2 Position (JP8)	1
16	22-50275-00	Connector, Female, 3 Position (JP9)	1
17	22-01660-03	Connector, Deutsch, 5 Position (Service Port)	1
18	22-50153-00	Terminal, Socket, Female (J1)	2
19	22-50152-00	Terminal, Socket, Female (J2,J3,J4,J6)	22
20	22-50148-00	Terminal, Female (JP3 Thru JP9)	28
21	22-01613-14	Terminal, Deutsch, #16	4
22	22-01566-01	Terminal, Socket, Female (18-20 AWG)	21



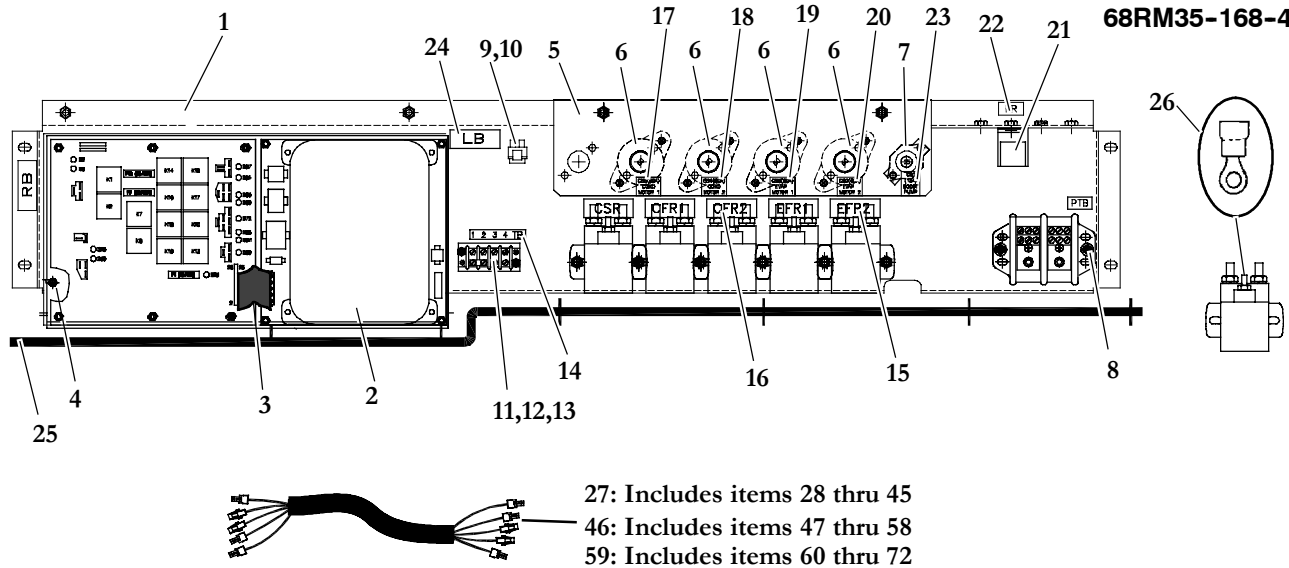
<b>3.3 Electrical Control Panel - Model 68RM35-104-41 (Continued)</b>			
<b>Item</b>	<b>Part Number</b>	<b>Description</b>	<b>Qty</b>
23	22-50122-05	Terminal, Female	14
24	22-02393-01	Terminal, Male (18-20 AWG)	2
25	12-00495-02SV	Thermistor Sensor Kit, Return Air (Replacement For 12-00305-04)	1
26	68RM35-1027P	Panel, Circuit Breaker, Painted	1
27	10-00307-01	Breaker, Circuit - 60 AMP	4
28	68RM40-1356P	Bracket, Deutsche Connector, Painted	1
29	34-01305-01	Screw, Pan Head,Phillips, #6-32 x 1/2 Inch Long, SST	4
30	34-00667-07	Nut, Hex, Self-Locking #6-32, SST	4
31	62-62041-24	Label, <b>LB</b>	1
32	66U1-5371-7	Screw, Hex Head Slotted, #10-24 x 1/2 Inch Long, SST	12
33	34-00663-09	Washer, Split Lock, #10, SST	14
34	22-02336-04	Fuse, 10 AMP	2
35	22-01449-00	Clip, Wire & Cord	1
36	34-06264-06	Screw, Hex Head Slotted, #8-32 x 3/4 Inch Long, SST	2
37	22-02338-02	Holder, Fuse	1
38	22-01563-05	Terminal Block, 4 Poles	1
39	22-01612-00	Jumper, Terminal Block, Brass	3
40	62-62040-04	Label, <b>1,2,3,4 TB</b>	1
41	AC201-600	Diode, In-Line, 6 AMP	4
42	AC201-244	Terminal, Butt Connector, 14-16 AWG	8
43	AC202-209	Tubing, Heat Shrink, 3/16, W/Adhesive	2
44	62-62041-21	Label, <b>EFR2</b>	1
45	62-62041-13	Label, <b>CFR2</b>	1
46	62-62041-22	Label, <b>ESR</b>	1
47	62-62043-07	Label, <b>CB5 (60 A) Cond Motor 1</b>	1
48	62-62043-05	Label, <b>CB4 (60 A) Cond Motor 2</b>	1
49	62-62043-03	Label, <b>CB3 (60 A) Evap Motor 1</b>	1
50	62-62043-01	Label, <b>CB2 (60 A) Evap Motor 2</b>	1
51	10-00286-09	Relay, 24 VDC, 40 Amp, SPDT	3
52	AC201-931	Lock, Connector	3
53	AC201-901	Connector, Relay Socket	3
54	62-62041-25	Label, <b>PR</b>	1
55	62-62041-07	Label, <b>ACSL</b>	1
56	68RM40-1316	Label, <b>FBR</b>	1





**3.4 Electrical Control Panel - Models 68RM35-104-42, 604-49, -56, -60, -67, -72, -76, -83**

**Kit 68RM35-168-31  
68RM35-168-36  
68RM35-168-41  
68RM35-168-46**



**Note: Common Parts Are Listed In Section 3.1**

Item	Part Number	Description	Qty
1	68-62603-00	Panel Assembly, Electrical, Painted	1
2	12-00392-15	Module, Logic Controller 24VDC (300 PSI) 68RM35-104-42, 604-49, -56, -60, -67 - Includes:	1
	12-00392-16	Module, Logic Controller 24VDC (350 PSI) 68RM35-604-72, -76, -83 - Includes:	
3	22-50236-00	Harness, Ribbon Cable, 26 Pin (Logic Module to Relay Board)	1
4	68RM40-157	Panel Assembly, Relay Board & Logic Module, Painted	1
5	68-62604-00	Panel, Circuit Breaker, Painted	1
6	10-00307-01	Breaker, Circuit - 60 AMP	4
7	10-00247-03	Breaker, Circuit - 15 AMP	1
8	34-00655-08	Bolt, Hex Head, 1/4-20 x 1 Inch Long, SST	2
9	22-02336-04	Fuse, 10 AMP	1
10	22-01449-00	Clip, Wire & Cord	1
11	34-06264-06	Screw, Hex Head Slotted, #08-32 x 3/4 Inch Long, SST	2
12	22-01563-05	Terminal Block, 4 Poles	1
13	22-01612-00	Jumper, Terminal Block, Brass	1
14	62-62040-04	Label, <b>1,2,3,4 TB</b>	1
15	62-62041-21	Label, <b>EFR2</b>	1
16	62-62041-13	Label, <b>CFR2</b>	1
17	62-62043-07	Label, <b>CB5 (60 A) Cond Motor 1</b>	1
18	62-62043-05	Label, <b>CB4, (60 A) Cond Motor 2</b>	1
19	62-62043-03	Label, <b>CB3, (60 A) Evap Motor 1</b>	1
20	62-62043-01	Label, <b>CB2, (60 A) Evap Motor 2</b>	1
21	10-00286-09	Relay, 24 VDC, 40 Amp, SPDT	1
22	62-62041-25	Label, <b>PR</b>	1



<b>3.4 Electrical Control Panel - Models 68RM35-104-42, -604-49, -56, -60, -67, -72, -76, -83 (Continued)</b>			
<b>Item</b>	<b>Part Number</b>	<b>Description</b>	<b>Qty</b>
23	62-62044-00	Label, <b>CB1, Boost Pump (15 AMP)</b>	1
24	62-62041-24	Label, <b>LB</b>	1
25	22-62087-00	Wire Harness, Power	1
26	22-00121-27	Terminal, Ring, #10, 22-16 AWG, Red Vinyl	2
27	22-62076-00	Wire Harness, Control (PM & WF) Used on 68RM35-604-49, -72, -76, -83- Includes:	1
	22-02901-00	Wire Harness, Control (PM & WF) Used on 68RM35-104-42, -604-56, -60, -67- Includes:	
28	22-50144-00	Connector, Housing Kit, 4 Position, (J1)	1
29	22-50153-00	Terminal, Socket, Female (J1)	2
30	CM983-618	Connector, 24 Position (J6)	1
31	22-50152-00	Terminal, Socket, Female (J6)	12
32	22-50135-00	Connector, Female, 3 Position (JP7)	1
33	22-50148-00	Terminal, Female (JP8)	12
34	22-50134-00	Connector, Female, 2 Position (JP8)	1
35	22-50275-00	Connector, Female, 3 Position (JP9)	1
36	22-50346-00	Terminal, Female (JP7) (JP9)	4
37	22-50347-00	Terminal, Female (JP7) (JP9)	4
38	22-50122-05	Terminal, Female (Relay Connector)	4
39	AC201-901	Connector, Relay	1
40	AC201-931	Lock, Connector, Relay	1
41	22-50359-00	Terminal, Socket (J1)	1
42	AC201-600	Diode, In-Line, 6 AMP	2
43	22-02336-04	Fuse, 10 AMP	1
44	22-02338-02	Holder, Fuse	1
45	12-00495-02SV	Thermistor Sensor Kit, (RAS) (Replacement For 12-00305-04)	1
46	22-62146-00	Wire Harness, Interface, Used On 68RM35-604-49, -72 - Includes:	1
47	22-50146-00	Connector, 9 Position (J3)	1
48	22-50152-00	Terminal, Socket, Female (J3 & J4)	6
49	22-50143-00	Connector, 15 Position (J4)	1
50	22-50135-00	Connector, Female, 3 Position (JP3)	1
51	22-50148-00	Terminal, Female (JP3, JP4, JP5 & JP6)	17
52	22-50136-00	Connector, Female, 6 Position (JP4)	1
53	22-50137-00	Connector, Female, 5 Position (JP5)	1
54	22-50138-00	Connector, Female, 4 Position (JP6)	1
55	22-02392-00SV	Connector Kit, 2 Pin (WPF) - Includes:	1
56	<b>NSS</b>	Connector, 2 Pin, Black	1
57	22-02393-01	Terminal, Male (18-20 AWG)	2
58	22-02394-01	Seal, Cable	2
59	22-02863-00	Wire Harness, Interface - Includes:	1
60	22-50146-00	Connector, 9 Position (J3)	1
61	22-50152-00	Terminal, Socket, Female (J3 & J4)	6
62	22-50143-00	Connector, 15 Position (J4)	1
63	22-50135-00	Connector, Female, 3 Position (JP3)	1
64	22-50148-00	Terminal, Female (JP3, JP4, JP5 & JP6)	14

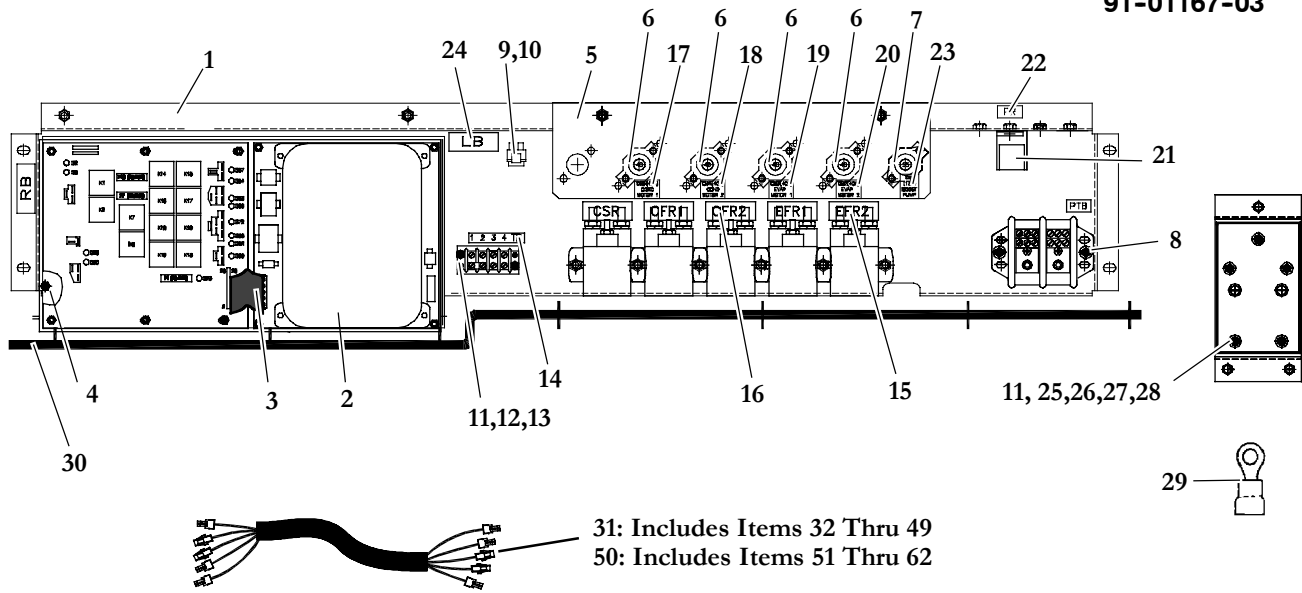


<b>3.4 Electrical Control Panel - Models 68RM35-104-42, -604-49, -56, -60, -67, -72, -76, -83 (Continued)</b>			
<b>Item</b>	<b>Part Number</b>	<b>Description</b>	<b>Qty</b>
65	22-50136-00	Connector, Female, 6 Position (JP4)	1
66	22-50137-00	Connector, Female, 5 Position (JP5)	1
67	22-50138-00	Connector, Female, 4 Position (JP6)	1
68	22-02392-00SV	Connector Kit, 2 Pin (WPF) - Includes:	1
69	<b>NSS</b>	Connector, 2 Pin, Black	1
70	22-02393-01	Terminal, Male (18-20 AWG)	2
71	22-02394-01	Seal, Cable	2
72	22-01566-01	Terminal, Socket, Female (18-20 AWG)	12



**3.5 Electrical Control Panel - Models 68RM35-104-43, -45, 604-54, -61, -62, -77, -78, -88, -95**

**Kit 68RM35-168-35  
68RM35-168-45  
91-01167-03**



**Note: Common Parts Are Listed In Section 3.1**

Item	Part Number	Description	Qty
1	68-62603-00	Panel Assembly, Electrical, Painted	1
2	12-00392-15	Module, Logic Controller 24VDC (300 PSI) Used on 68RM35-104-43, -45, 604-54, -61, -62, -88, -95 - Includes:	1
	12-00392-16	Module, Logic Controller 24VDC (350 PSI) Used on 68RM35-604-77, -78 - Includes:	
3	22-50236-00	Harness, Ribbon Cable, 26 Pin (Logic Module to Relay Board)	1
4	68RM40-157	Panel Assembly, Relay Board & Logic Module, Painted	1
5	68-62604-00	Panel, Circuit Breaker, Painted	1
6	10-00247-05	Breaker, Circuit - 40 AMP	4
7	10-00247-03	Breaker, Circuit - 15 AMP	1
8	34-00655-08	Bolt, Hex Head, 1/4-20 x 1 Inch Long, SST	2
9	22-02336-04	Fuse, 10 AMP	1
10	22-01449-00	Clip, Wire & Cord	1
11	34-06264-06	Screw, Hex Head Slotted, #08-32 x 3/4 Inch Long, SST	4
12	22-01563-05	Terminal Block, 4 Poles	1
13	22-01612-00	Jumper, Terminal Block, Brass	1
14	62-62040-04	Label, <b>1,2,3,4 TB</b>	1
15	62-62041-21	Label, <b>EFR2</b>	1
16	62-62041-13	Label, <b>CFR2</b>	1
17	62-62043-06	Label, <b>CB5, (40 A) Cond Motor 1</b>	1
18	62-62043-04	Label, <b>CB4, (40 A) Cond Motor 2</b>	1
19	62-62043-02	Label, <b>CB3, (40 A) Evap Motor 1</b>	1
20	62-62043-00	Label, <b>CB2, (40 A) Evap Motor 2</b>	1
21	10-00286-09	Relay, 24 VDC, 40 Amp, SPDT	1
22	62-62041-25	Label, <b>PR</b>	1

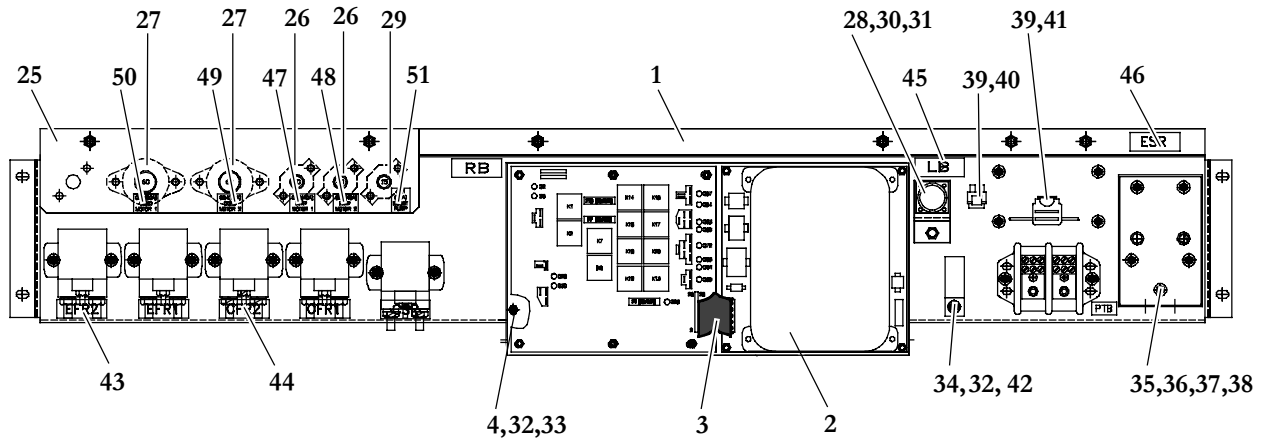


<b>3.5 Electrical Control Panel - Models 68RM35-104-43, -45, 604-54, -61, -62, -77, -78, -88, -95 (Continued)</b>			
<b>Item</b>	<b>Part Number</b>	<b>Description</b>	<b>Qty</b>
23	62-62044-00	Label, <b>CB1, Boost Pump (15 AMP)</b>	1
24	62-62041-24	Label, <b>LB</b>	1
25	10-00309-00	Relay, Evaporator Speed, 24 VDC, 20 Amp, DPDT	1
26	10-00314-00	Cover, Relay	1
27	58-00065-27	Grommet, 0.62 ID x 0.88 Hole, 0.125 Inch Groove	2
28	68-62275-00	Bracket Assembly, Relay, Painted	1
29	AC201-241	Terminal, Ring, #06, 18AWG, Red Nylon	2
30	22-62086-00	Wire Harness, Power	1
31	22-62076-00	Wire Harness, Control (PM & WF) - Includes:	1
32	22-50144-00	Connector, Housing Kit, 4 Position, (J1)	1
33	22-50153-00	Terminal, Socket, Female (J1)	2
34	CM983-618	Connector, 24 Position (J6)	1
35	22-50152-00	Terminal, Socket, Female (J6)	12
36	22-50135-00	Connector, Female, 3 Position (JP7)	1
37	22-50148-00	Terminal, Female (JP8)	2
38	22-50134-00	Connector, Female, 2 Position (JP8)	1
39	22-50275-00	Connector, Female, 3 Position (JP9)	1
40	22-50346-00	Terminal, Female (JP7) (JP9)	4
41	22-50347-00	Terminal, Female (JP7) (JP9)	4
42	22-50122-05	Terminal, Female (Relay Connector)	4
43	AC201-901	Connector, Relay	1
44	AC201-931	Lock, Connector, Relay	1
45	22-50359-00	Terminal, Socket (J1)	1
46	AC201-600	Diode, In-Line, 6 AMP	2
47	22-02336-04	Fuse, 10 AMP	1
48	22-02338-02	Holder, Fuse	1
49	12-00495-02SV	Thermistor Sensor Kit, (RAS) (Replacement For 12-00305-04)	1
50	22-62082-00	Wire Harness, Interface, Used On 68RM35-104-43, -45, 604-54, -61, -62 - Includes:	1
	22-02863-00	Wire Harness, Interface, Used on 68RM35-604-77, -78, -95 - Includes:	
51	22-50146-00	Connector, 9 Position (J3)	1
52	22-50152-00	Terminal, Socket, Female (J3 & J4)	6
53	22-50143-00	Connector, 15 Position (J4)	1
54	22-50135-00	Connector, Female, 3 Position (JP3)	1
55	22-50148-00	Terminal, Female (JP3, JP4, JP5 & JP6)	A/R
56	22-50136-00	Connector, Female, 6 Position (JP4)	1
57	22-50137-00	Connector, Female, 5 Position (JP5)	1
58	22-50138-00	Connector, Female, 4 Position (JP6)	1
59	22-02392-00SV	Connector Kit, 2 Pin (WPF) - Includes:	1
60	<b>NSS</b>	Connector, 2 Pin, Black	1
61	22-02393-01	Terminal, Male (18-20 AWG)	2
62	22-02394-01	Seal, Cable	2
63	22-01566-01	Terminal, Socket, Female (18-20 AWG)	12



3.6 Electrical Control Panel - Model 68RM35-604-41

Kit 68RM35-168-12



5: Includes Items 6 Thru 24



Note: Common Parts Are Listed In Section 3.1

Item	Part Number	Description	Qty
1	68RM35-257P	Panel Assembly, Electrical, Painted	1
2	12-00392-15	Module, Logic Controller 24VDC (300 PSI) - Includes:	1
3	22-50236-00	Harness, Ribbon Cable, 26 Pin (Logic Module To Relay Board)	1
4	68RM40-157	Panel Assembly, Relay Board & Logic Module, Painted	1
5	68RM35-148-13	Wire Harness, Complete, H/C, R-134a, PM/WF - Includes:	1
6	22-50144-00	Connector, 4 Position, (J1)	1
7	22-50145-00	Connector, 4 Position (J2)	1
8	22-50146-00	Connector, 9 Position (J3)	1
9	22-50143-00	Connector, 15 Position (J4)	1
10	CM983-618	Connector, 24 Position (J6)	1
11	22-50135-00	Connector, Female, 3 Position (JP3) (JP7)	2
12	22-50136-00	Connector, Female, 6 Position (JP4)	1
13	22-50137-00	Connector, Female, 5 Position (JP5)	1
14	22-50138-00	Connector, Female, 4 Position (JP6)	1
15	22-50134-00	Connector, Female, 2 Position (JP8)	1
16	22-50275-00	Connector, Female, 3 Position (JP9)	1
17	22-01660-03	Connector, Deutsch, 5 Position (Service Port)	1
18	22-50153-00	Terminal, Socket, Female (J1)	2
19	22-50152-00	Terminal, Socket, Female (J2,J3,J4,J6)	18
20	22-50148-00	Terminal, Female (JP3 Thru JP9)	22
21	22-01566-01	Terminal, Socket, Female (18-20 AWG)	19
22	22-02393-00	Terminal, Male (14-16 AWG)	2

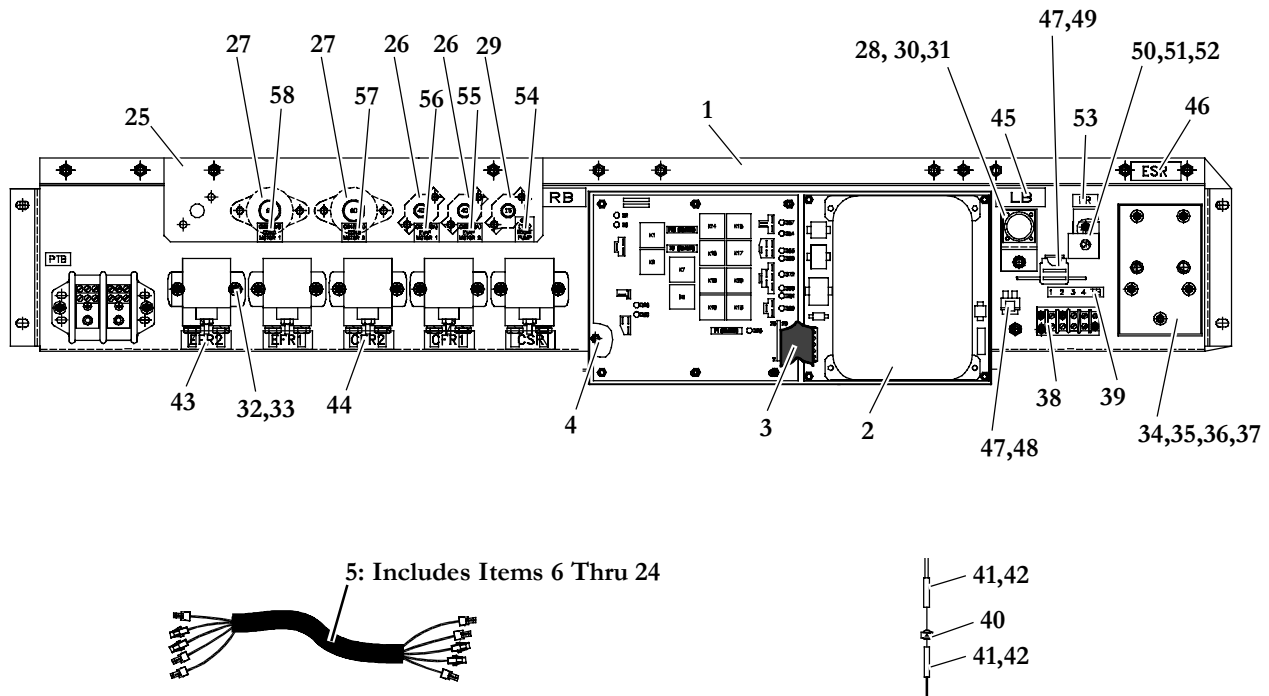


<b>3.6 Electrical Control Panel - Model 68RM35-604-41 (Continued)</b>			
<b>Item</b>	<b>Part Number</b>	<b>Description</b>	<b>Qty</b>
23	22-01613-14	Terminal, Deutsch, #16	4
24	12-00495-02SV	Thermistor Sensor Kit, Return Air (Replacement For 12-00305-04)	1
25	68RM55-1028P	Panel, Circuit Breaker, Painted	1
26	10-00247-05	Breaker, Circuit - 40 AMP	2
27	10-00307-01	Breaker, Circuit - 60 AMP	2
28	68RM40-1356P	Bracket, Deutsche Connector, Painted	1
29	10-00247-03	Breaker, Circuit - 15 AMP	1
30	34-01305-01	Screw, Pan Head,Phillips, #6-32 x 1/2 Inch Long, SST	4
31	34-00667-07	Nut, Hex, Self-Locking #6-32, SST	4
32	66U1-5371-7	Screw, Hex Head Slotted, #10-24 x 1/2 Inch Long, SST	17
33	34-00663-09	Washer, Split Lock, #10, SST	18
34	68RM55-1136P	Bracket, Temperature Sensor, Painted	1
35	10-00309-00	Relay, Evaporator Speed, 24VDC	1
36	10-00314-00	Cover, Relay	1
37	34-06264-06	Screw, Hex Head Slotted, #8-32 x 3/4 Inch Long, SST	2
38	AC801-604	Grommet, 5/8 ID x 7/8 Hole, 1/8 Inch Groove	2
39	22-02336-04	Fuse, 10 AMP	2
40	22-01449-00	Clip, Wire & Cord	1
41	22-02338-02	Holder, Fuse	1
42	34-00373-03	Clamp, Tube, 3/8 OD, With Neoprene Cushion, SST	1
43	62-62041-21	Label, <b>EFR2</b>	1
44	62-62041-13	Label, <b>CFR2</b>	1
45	62-62041-24	Label, <b>LB</b>	1
46	62-62041-22	Label, <b>ESR</b>	1
47	62-62043-02	Label, <b>CB3 (40 A) Evap Motor 1</b>	1
48	62-62043-00	Label, <b>CB2 (40 A) Evap Motor 2</b>	1
49	62-62043-05	Label, <b>CB4 (60 A) Cond Motor 2</b>	1
50	62-62043-07	Label, <b>CB5 (60 A) Cond Motor 1</b>	1
51	62-62044-00	Label, <b>CB1, Boost Pump (15 AMP)</b>	1



3.7 Electrical Control Panel - Models 68RM35-604-42, 604-43

Kit 68RM35-168-13



Note: Common Parts Are Listed In Section 3.1

Item	Part Number	Description	Qty
1	68-62229-00	Panel Assembly, Electrical, Painted	1
2	12-00392-15	Module, Logic Controller 24VDC (300 PSI) - Includes:	1
3	22-50236-00	Harness, Ribbon Cable, 26 Pin (Logic Module to Relay Board)	1
4	68RM40-157	Panel Assembly, Relay Board & Logic Module, Painted	1
5	68RM35-148-14	Wire Harness, Complete, H/C, R-134a, PM/PM - Includes:	1
6	22-50144-00	Connector, 4 Position, (J1)	1
7	22-50145-00	Connector, 4 Position (J2)	1
8	22-50146-00	Connector, 9 Position (J3)	1
9	22-50143-00	Connector, 15 Position (J4)	1
10	CM983-618	Connector, 24 Position (J6)	1
11	22-50135-00	Connector, Female, 3 Position (JP3) (JP7)	2
12	22-50136-00	Connector, Female, 6 Position (JP4)	1
13	22-50137-00	Connector, Female, 5 Position (JP5)	1
14	22-50138-00	Connector, Female, 4 Position (JP6)	1
15	22-50134-00	Connector, Female, 2 Position (JP8)	1
16	22-50275-00	Connector, Female, 3 Position (JP9)	1
17	22-01660-03	Connector, Deutsch, 5 Position (Service Port)	1
18	22-50153-00	Terminal, Socket, Female (J1)	2
19	22-50152-00	Terminal, Socket, Female (J2,J3,J4,J6)	16
20	22-50148-00	Terminal, Female (JP3 Thru JP9)	21
21	22-01566-00	Terminal, Socket, Female (14-16 AWG)	16
22	22-02393-00	Terminal, Male (14-16 AWG)	5



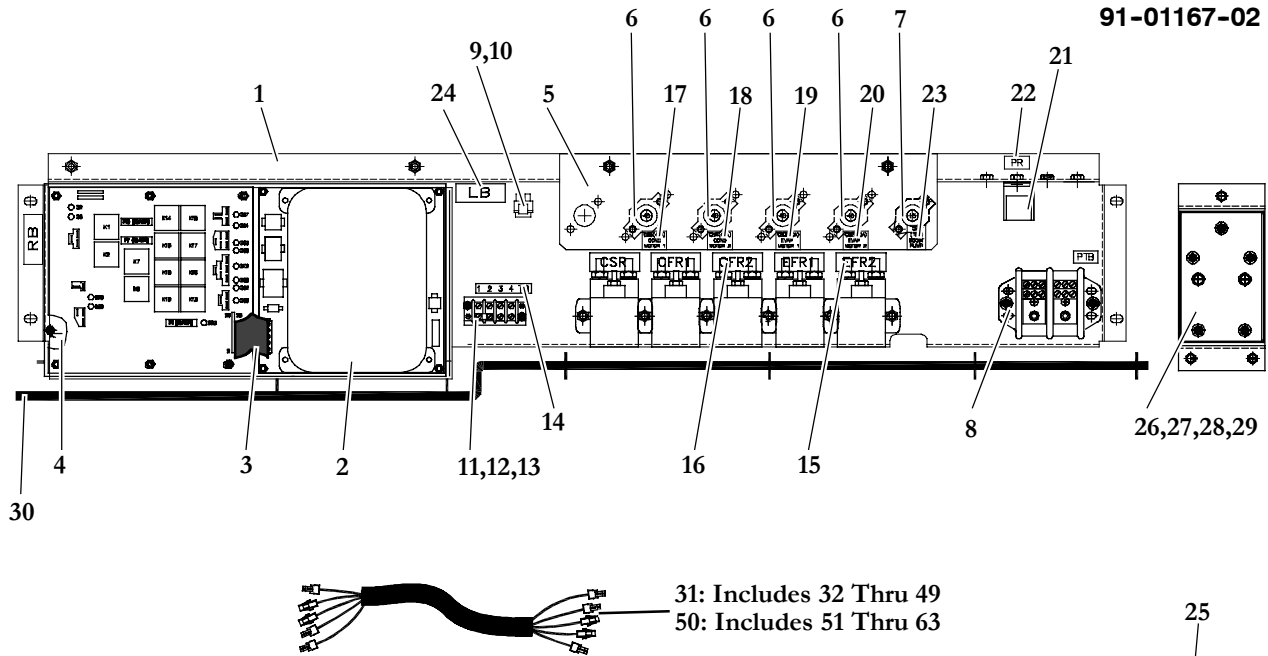


<b>3.7 Electrical Control Panel - Models 68RM35-604-42, 604-43 (Continued)</b>			
<b>Item</b>	<b>Part Number</b>	<b>Description</b>	<b>Qty</b>
23	22-01613-14	Terminal, Deutsch, #16	4
24	12-00495-02SV	Thermistor Sensor Kit, Return Air (Replacement For 12-00305-04)	1
25	68RM55-1028P	Panel, Circuit Breaker, Painted	1
26	10-00247-05	Breaker, Circuit - 40 AMP	2
27	10-00307-01	Breaker, Circuit - 60 AMP	2
28	68RM40-1356P	Bracket, Deutsche Connector, Painted	1
29	10-00247-03	Breaker, Circuit - 15 AMP	1
30	34-01305-01	Screw, Pan Head,Phillips, #6-32 x 1/2 Inch Long, SST	4
31	34-00667-07	Nut, Hex, Self-Locking #6-32, SST	4
32	66U1-5371-7	Screw, Hex Head Slotted, #10-24 x 1/2 Inch Long, SST	10
33	34-00663-09	Washer, Split Lock, #10, SST	12
34	10-00309-00	Relay, Evaporator Speed, 24VDC	1
35	10-00314-00	Cover, Relay	1
36	34-06264-06	Screw, Hex Head Slotted, #8-32 x 3/4 Inch Long, SST	4
37	AC801-604	Grommet, 5/8 ID x 7/8 Hole, 1/8 Inch Groove	2
38	22-01563-05	Terminal Block, 4 Poles	1
39	62-62040-04	Label, <b>1,2,3,4 TB</b>	1
40	AC201-600	Diode, In-Line, 6 AMP	1
41	AC201-244	Terminal, Butt Connector, 14-16 AWG	2
42	AC202-209	Tubing, Heat Shrink, 3/16, W/Adhesive	1
43	62-62041-21	Label, <b>EFR2</b>	1
44	62-62041-13	Label, <b>CFR2</b>	1
45	62-62041-24	Label, <b>LB</b>	1
46	62-62041-22	Label, <b>ESR</b>	1
47	22-02336-04	Fuse, 10 AMP	2
48	22-01449-00	Clip, Wire & Cord	1
49	22-02338-02	Holder, Fuse	1
50	10-00286-09	Relay, SPDT, 24VDC	1
51	AC201-931	Lock, Connector	1
52	AC201-901	Connector, Relay Socket	1
53	62-62041-25	Label, <b>PR</b>	1
54	62-62044-00	Label, <b>CB1, Boost Pump (15 AMP)</b>	1
55	62-62043-00	Label, <b>CB2 (40 A) Evap Motor 2</b>	1
56	62-62043-02	Label, <b>CB3 (40 A) Evap Motor 1</b>	1
57	62-62043-05	Label, <b>CB4 (60 A) Cond Motor 2</b>	1
58	62-62043-07	Label, <b>CB5 (60 A) Cond Motor 1</b>	1

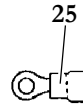


**3.8 Electrical Control Panel - Model 68RM35-604-44, -53, -65, -73, -81, -94**

**Kit 68RM35-168-33  
68RM35-168-43  
91-01167-02**



**Note: Common Parts Are Listed In Section 3.1**



Item	Part Number	Description	Qty
1	68-62603-00	Panel Assembly, Electrical, Painted	1
2	12-00392-15	Module, Logic Controller 24VDC (300 PSI) Used On Models 68RM35-604-44, -53, -65, -94 - Includes:	1
	12-00392-16	Module, Logic Controller 24VDC (350 PSI) Used On Models 68RM35-604-73, -81 - Includes:	
3	22-50236-00	Harness, Ribbon Cable, 26 Pin (Logic Module to Relay Board)	1
4	68RM40-157	Panel Assembly, Relay Board & Logic Module, Painted	1
5	68-62604-00	Panel, Circuit Breaker, Painted	1
6	10-00247-05	Breaker, Circuit - 40 AMP	4
7	10-00247-03	Breaker, Circuit - 15 AMP	1
8	34-00655-08	Bolt, Hex Head, 1/4-20 x 1 Inch Long, SST	2
9	22-02336-04	Fuse, 10 AMP	1
10	22-01449-00	Clip, Wire & Cord	1
11	34-06264-06	Screw, Hex Head Slotted, #08-32 x 3/4 Inch Long, SST	4
12	22-01563-05	Terminal Block, 4 Poles	1
13	22-01612-00	Jumper, Terminal Block, Brass	1
14	62-62040-04	Label, <b>1,2,3,4 TB</b>	1
15	62-62041-21	Label, <b>EFR2</b>	1
16	62-62041-13	Label, <b>CFR2</b>	1
17	62-62043-06	Label, <b>CB5, (40 A) Cond Motor 1</b>	1
18	62-62043-04	Label, <b>CB4, (40 A) Cond Motor 2</b>	1
19	62-62043-02	Label, <b>CB3, (40 A) Evap Motor 1</b>	1
20	62-62043-00	Label, <b>CB2, (40 A) Evap Motor 2</b>	1

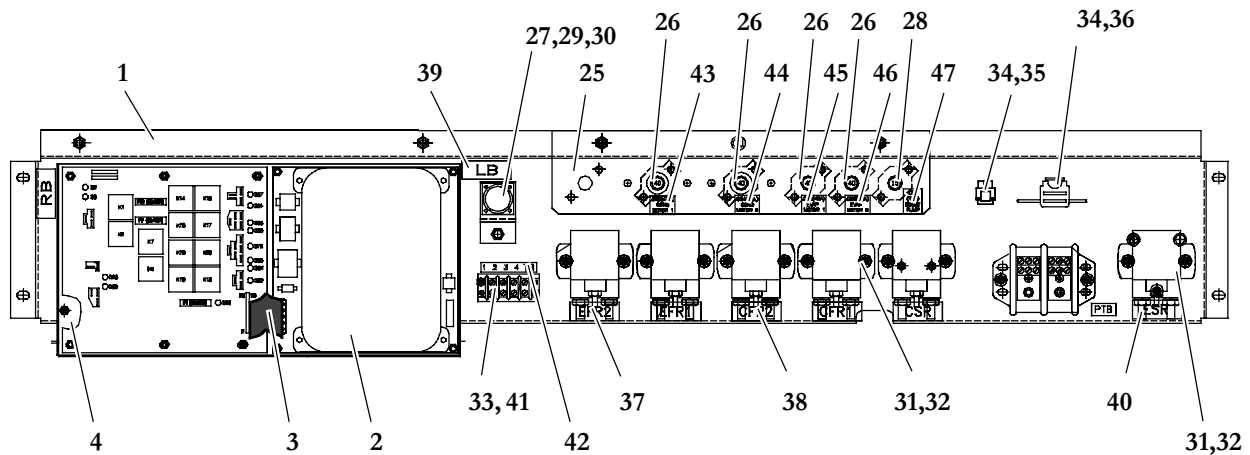


<b>3.8 Electrical Control Panel - Model 68RM35-604-44, -53, -65, -73, -81, -94 (Continued)</b>			
<b>Item</b>	<b>Part Number</b>	<b>Description</b>	<b>Qty</b>
21	10-00286-09	Relay, 24 VDC, 40 Amp, SPDT	1
22	62-62041-25	Label, <b>PR</b>	1
23	62-62044-00	Label, <b>CB1, Boost Pump (15 AMP)</b>	1
24	62-62041-24	Label, <b>LB</b>	1
25	AC201-241	Terminal, Ring, #06, 18 AWG, Red Nylon	2
26	58-00065-27	Grommet, 0.62 ID x 0.88 Hole, .125 Inch Groove	2
27	10-00309-00	Relay, Evaporator Speed, 24 VDC, 20 Amp, DPDT	1
28	10-00314-00	Cover, Relay	1
29	68-62275-00	Bracket Assembly, Relay, Painted	1
30	22-62078-00	Wire Harness, Power	1
31	22-62076-00	Wire Harness, Control (PM & WF) - Includes:	1
32	22-50144-00	Connector, Housing Kit, 4 Position, (J1)	1
33	22-50153-00	Terminal, Socket, Female (J1)	2
34	CM983-618	Connector, 24 Position (J6)	1
35	22-50152-00	Terminal, Socket, Female (J6)	12
36	22-50135-00	Connector, Female, 3 Position (JP7)	1
37	22-50148-00	Terminal, Female (JP8)	2
38	22-50134-00	Connector, Female, 2 Position (JP8)	1
39	22-50275-00	Connector, Female, 3 Position (JP9)	1
40	22-50346-00	Terminal, Female (JP7) (JP9)	4
41	22-50347-00	Terminal, Female (JP7) (JP9)	4
42	22-50122-05	Terminal, Female (Relay Connector)	4
43	AC201-901	Connector, Relay	1
44	AC201-931	Lock, Connector, Relay	1
45	22-50359-00	Terminal, Socket (J1)	1
46	AC201-600	Diode, In-Line, 6 AMP	2
47	22-02336-04	Fuse, 10 AMP	1
48	22-02338-02	Holder, Fuse	1
49	12-00495-02SV	Thermistor Sensor Kit, (RAS) (Replacement For 12-00305-04)	1
50	22-62088-00	Wire Harness, Interface, Used on 68RM35-604-53, -65, -73 - Includes:	1
	22-02871-00	Wire Harness, Interface, Used on 68RM35-604-94 - Includes:	
51	22-50145-00	Connector, 4 Position (J2)	1
52	22-50152-00	Terminal, Socket, Female (J2 & J4)	6
53	22-50143-00	Connector, 15 Position (J4)	1
54	22-50135-00	Connector, Female, 3 Position (JP3)	1
55	22-50148-00	Connector, Female, 6 Position (JP3, JP4, JP5 & JP6)	A/R
56	22-01566-01	Terminal, Socket, Female (18-20 AWG) (J2, J4, JP3, JP4, JP5 & JP6)	A/R
57	22-50136-00	Terminal, Female 6 Position (JP4)	1
58	22-50137-00	Connector, Female, 5 Position (JP5)	1
59	22-50138-00	Connector, Female, 4 Position (JP6)	1
60	22-02392-00SV	Connector Kit, 2 Pin (WPF) - Includes:	1
61	<b>NSS</b>	Connector, 2 Pin, Black	1
62	22-02393-01	Terminal, Male (18-20 AWG)	2
63	22-02394-01	Seal, Cable	2



3.9 Electrical Control Panel - Model 68RM35-604-45

Kit 68RM35-168-28



5: Includes Items 6 Thru 24



Note: Common Parts Are Listed In Section 3.1

Item	Part Number	Description	Qty
1	68-62477-00	Panel Assembly, Electrical, Painted	1
2	12-00392-15	Module, Logic Controller 24VDC (300 PSI) - Includes:	1
3	22-50236-00	Harness, Ribbon Cable, 26 Pin (Logic Module to Relay Board)	1
4	68RM40-157	Panel Assembly, Relay Board & Logic Module, Painted	1
5	22-62056-00	Wire Harness, PM/PM Micromax - Includes:	1
6	22-50144-00	Connector, 4 Position, (J1)	1
7	22-50145-00	Connector, 4 Position (J2)	1
8	22-50146-00	Connector, 9 Position (J3)	1
9	22-50143-00	Connector, 15 Position (J4)	1
10	CM983-618	Connector, 24 Position (J6)	1
11	22-50135-00	Connector, Female, 3 Position (JP3) (JP7)	2
12	22-50136-00	Connector, Female, 6 Position (JP4)	1
13	22-50137-00	Connector, Female, 5 Position (JP5)	1
14	22-50138-00	Connector, Female, 4 Position (JP6)	1
15	22-50134-00	Connector, Female, 2 Position (JP8)	1
16	22-50275-00	Connector, Female, 3 Position (JP9)	1
17	22-01660-03	Connector, Deutsch, 5 Position (Service Port)	1
18	22-50153-00	Terminal, Socket, Female (J1)	2
19	22-50152-00	Terminal, Socket, Female (J2,J3,J4,J6)	16
20	22-50148-00	Terminal, Female (JP3 Thru JP9)	24
21	22-01613-14	Terminal, Deutsch, #16	4
22	22-01566-01	Terminal, Socket, Female (18-20 AWG)	19

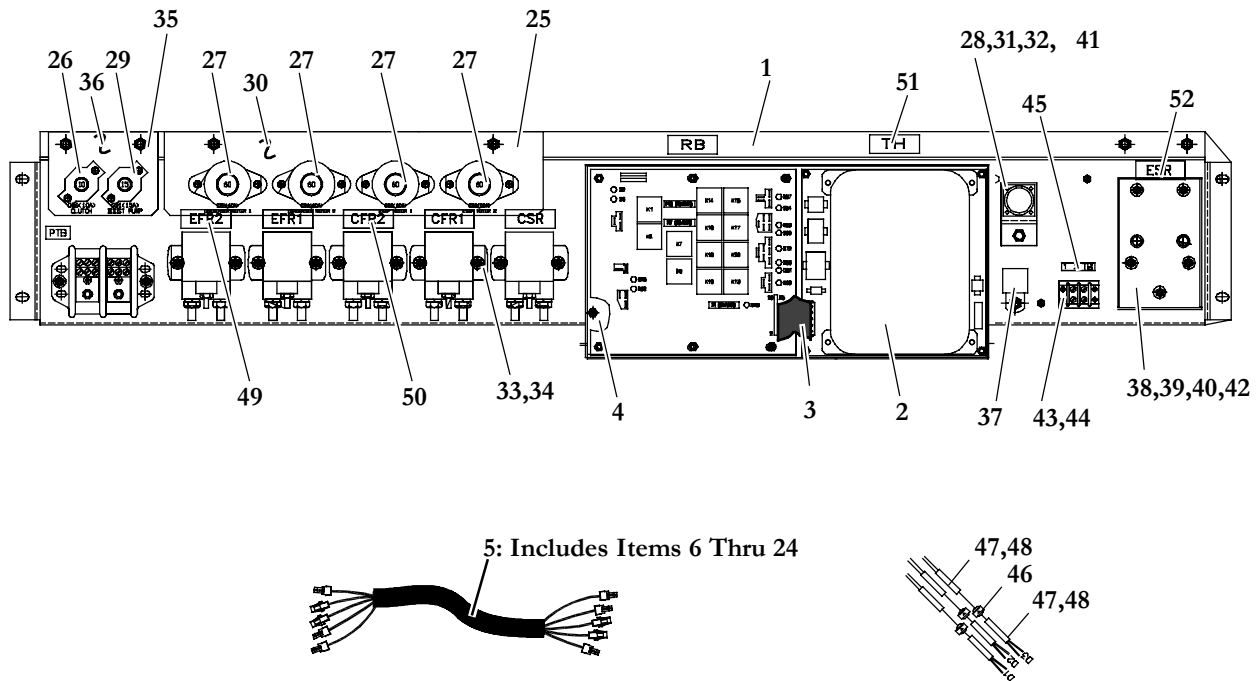


<b>3.9 Electrical Control Panel - Model 68RM35-604-45 (Continued)</b>			
<b>Item</b>	<b>Part Number</b>	<b>Description</b>	<b>Qty</b>
23	22-02393-01	Terminal, Male (18-20 AWG)	2
24	12-00495-02SV	Thermistor Sensor Kit, Return Air (Replacement For 12-00305-04)	1
25	68RM55-1028P	Panel, Circuit Breaker, Painted	1
26	10-00247-05	Breaker, Circuit - 40 AMP	4
27	68RM40-1356P	Bracket, Deutsch Connector, Painted	1
28	10-00247-03	Breaker, Circuit - 15 AMP	1
29	34-01305-01	Screw, Pan Head,Phillips, #6-32 x 1/2 Inch Long, SST	4
30	34-00667-07	Nut, Hex, Self-Locking #6-32, SST	4
31	34-06179-01	Bolt, Hex Head, Slotted, SEMS, #10-24 x 1/2 Inch Long, SST	12
32	34-00663-09	Washer, Split Lock, #10, SST	14
33	34-06264-06	Screw, Hex Head Slotted, #8-32 x 3/4 Inch Long, SST	2
34	22-02336-04	Fuse, 10 AMP	2
35	22-01449-00	Clip, Wire & Cord	1
36	22-02338-02	Holder, Fuse	1
37	62-62041-21	Label, <b>EFR2</b>	1
38	62-62041-13	Label, <b>CFR2</b>	1
39	62-62041-24	Label, <b>LB</b>	1
40	62-62041-22	Label, <b>ESR</b>	1
41	22-01563-05	Terminal Block, 4 Poles	1
42	62-62040-04	Label, <b>1,2,3,4 TB</b>	1
43	62-62043-06	Label, <b>CB5 (40 A) Cond Motor 1</b>	1
44	62-62043-04	Label, <b>CB4 (40 A) Cond Motor 2</b>	1
45	62-62043-02	Label, <b>CB3 (40 A) Evap Motor 1</b>	1
46	62-62043-00	Label, <b>CB2 (40 A) Evap Motor 2</b>	1
47	62-62044-00	Label, <b>CB1, Boost Pump (15 AMP)</b>	1



**3.10 Electrical Control Panel - Model 68RM35-604-46**

**Kit 68RM35-168-14**



**Note: Common Parts Are Listed In Section 3.1**

Item	Part Number	Description	Qty
1	68-62229-00	Panel Assembly, Electrical, Painted	1
2	12-00392-15	Module, Logic Controller 24VDC (300 PSI) - Includes:	1
3	22-50236-00	Harness, Ribbon Cable, 26 Pin (Logic Module to Relay Board)	1
4	68RM40-157	Panel Assembly, Relay Board & Logic Module, Painted	1
5	68RM35-148-15	Wire Harness, Complete, H/C, R-134a, WF/WF - Includes:	1
6	22-50144-00	Connector, 4 Position, (J1)	1
7	22-50145-00	Connector, 4 Position (J2)	1
8	22-50146-00	Connector, 9 Position (J3)	1
9	22-50143-00	Connector, 15 Position (J4)	1
10	CM983-618	Connector, 24 Position (J6)	1
11	22-50135-00	Connector, Female, 3 Position (JP3) (JP7)	2
12	22-50136-00	Connector, Female, 6 Position (JP4)	1
13	22-50137-00	Connector, Female, 5 Position (JP5)	1
14	22-50138-00	Connector, Female, 4 Position (JP6)	1
15	22-50134-00	Connector, Female, 2 Position (JP8)	1
16	22-50275-00	Connector, Female, 3 Position (JP9)	1
17	22-01660-03	Connector, Deutsch, 5 Position (Service Port)	1
18	22-50153-00	Terminal, Socket, Female (J1)	2
19	22-50152-00	Terminal, Socket, Female (J2,J3,J4,J6)	21
20	22-50148-00	Terminal, Female (JP3 Thru JP9)	22
21	22-01566-00	Terminal, Socket, Female (14-16 AWG)	20
22	22-02393-00	Terminal, Male (14-16 AWG)	2

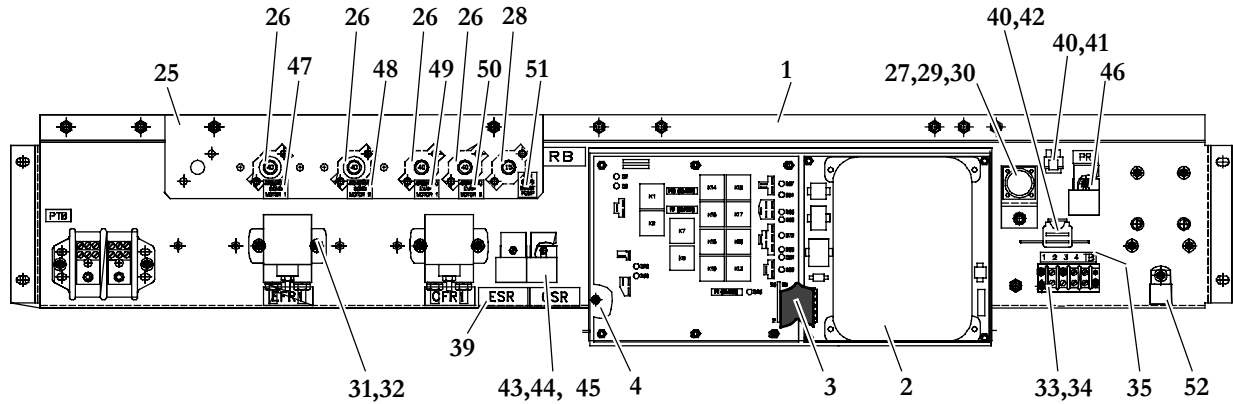


<b>3.10 Electrical Control Panel - Model 68RM35-604-46 (Continued)</b>			
<b>Item</b>	<b>Part Number</b>	<b>Description</b>	<b>Qty</b>
23	22-01613-14	Terminal, Deutsch, #16	4
24	12-00495-02SV	Thermistor Sensor Kit, Return Air (Replacement For 12-00305-04)	1
25	68RM35-1027P	Panel, Circuit Breaker, Painted	1
26	10-00247-04	Breaker, Circuit - 10 AMP	2
27	10-00307-01	Breaker, Circuit - 60 AMP	4
28	68RM40-1356P	Bracket, Deutsch Connector, Painted	1
29	10-00247-03	Breaker, Circuit - 15 AMP	1
30	68RM35-1037	Label, Circuit Breaker (Applied To Item 29)	1
31	34-01305-01	Screw, Pan Head, Phillips, #6-32 x 1/2 Inch Long, SST	4
32	34-00667-07	Nut, Hex, Self-Locking #6-32, SST	4
33	66U1-5371-7	Screw, Hex Head Slotted, #10-24 x 1/2 Inch Long, SST	18
34	34-00663-09	Washer, Split Lock, #10, SST	20
35	68RM35-1036P	Panel, Circuit Breaker	1
36	68RM35-1046	Label, <b>Circuit Breaker</b> (Applied To Item 35)	1
37	34-00373-03	Clamp, Tube, 3/8 OD, With Neoprene Cushion, SST	1
38	10-00309-00	Relay, Evaporator Speed, 24VDC	1
39	10-00314-00	Cover, Relay	1
40	34-06264-06	Screw, Hex Head Slotted, #8-32 x 3/4 Inch Long, SST	2
41	22-01660-03	Connector, Deutsch	1
42	AC801-604	Grommet, 5/8 ID x 7/8 Hole, 1/8 Inch Groove	2
43	22-01563-04	Terminal Block, 2 Poles	1
44	22-01612-00	Jumper, Terminal Block	1
45	62-62040-02	Label, <b>1,2 TB</b>	1
46	AC201-600	Diode, In-Line, 6 AMP	3
47	AC201-244	Terminal, Butt Connector, 14-16 AWG	6
48	AC202-209	Tubing, Heat Shrink, 3/16, W/Adhesive	3
49	62-62041-21	Label, <b>EFR2</b>	1
50	62-62041-13	Label, <b>CFR2</b>	1
51	62-62041-28	Label, <b>TH</b>	1
52	62-62041-22	Label, <b>ESR</b>	1

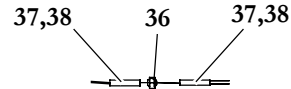


3.11 Electrical Control Panel - Model 68RM35-604-47

Kit 68RM35-168-25



5: Includes Items 6 Thru 24



Note: Common Parts Are Listed In Section 3.1

Item	Part Number	Description	Qty
1	68-62229-00	Panel Assembly, Electrical, Painted	1
2	12-00392-15	Module, Logic Controller 24VDC (300 PSI) - Includes:	1
3	22-50236-00	Harness, Ribbon Cable, 26 Pin (Logic Module to Relay Board)	1
4	68RM40-157	Panel Assembly, Relay Board & Logic Module, Painted	1
5	68RM35-148-26	Wire Harness, Complete, R-134a, Rotron - Includes:	1
6	22-50144-00	Connector, 4 Position, (J1)	1
7	22-50145-00	Connector, 4 Position (J2)	1
8	22-50146-00	Connector, 9 Position (J3)	1
9	22-50143-00	Connector, 15 Position (J4)	1
10	CM983-618	Connector, 24 Position (J6)	1
11	22-50135-00	Connector, Female, 3 Position (JP3) (JP7)	2
12	22-50136-00	Connector, Female, 6 Position (JP4)	1
13	22-50137-00	Connector, Female, 5 Position (JP5)	1
14	22-50138-00	Connector, Female, 4 Position (JP6)	1
15	22-50134-00	Connector, Female, 2 Position (JP8)	1
16	22-50275-00	Connector, Female, 3 Position (JP9)	1
17	22-01660-03	Connector, Deutsch, 5 Position (Service Port)	1
18	22-50153-00	Terminal, Socket, Female (J1)	3
19	22-50152-00	Terminal, Socket, Female (J2,J3,J4,J6)	16
20	22-50148-00	Terminal, Female (JP3 Thru JP9)	22
21	22-01566-00	Terminal, Socket, Female (14-16 AWG)	18
22	22-02393-00	Terminal, Male (14-16 AWG)	4



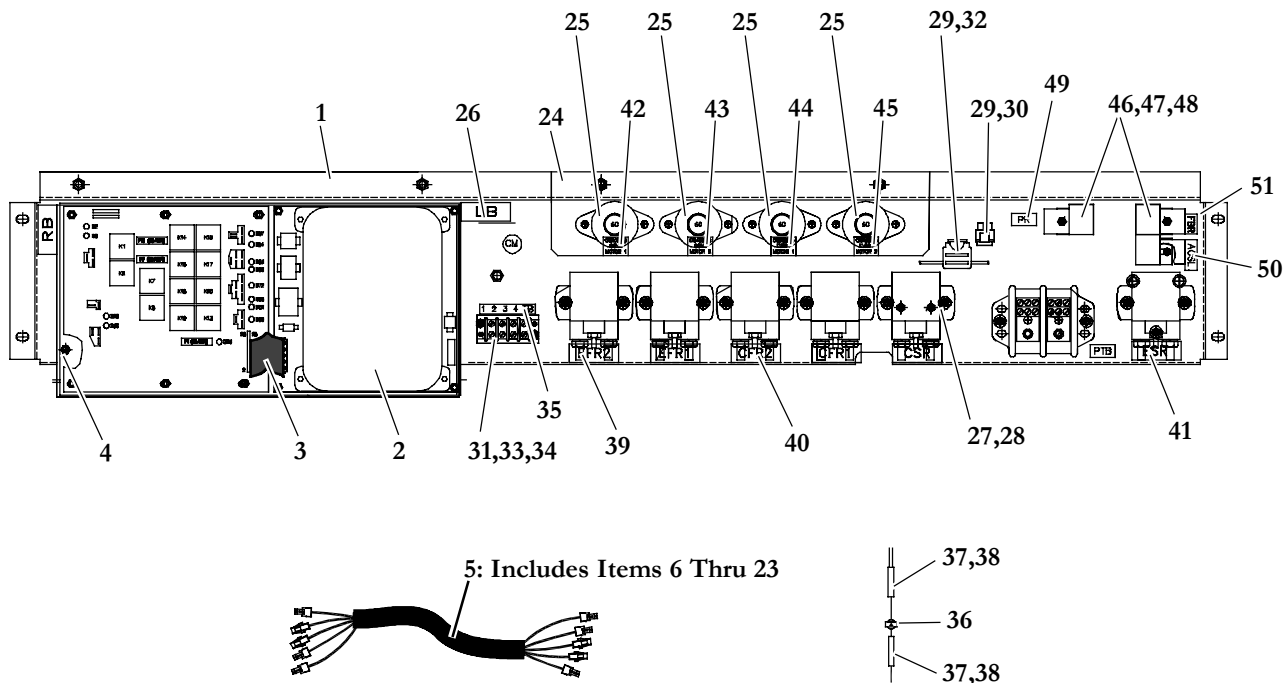


<b>3.11 Electrical Control Panel - Model 68RM35-604-47 (Continued)</b>			
<b>Item</b>	<b>Part Number</b>	<b>Description</b>	<b>Qty</b>
23	22-01613-14	Terminal, Deutsch, #16	4
24	12-00495-02SV	Thermistor Sensor Kit, Return Air (Replacement For 12-00305-04)	1
25	68RM55-1028P	Panel, Circuit Breaker, Painted	1
26	10-00247-05	Breaker, Circuit - 40 AMP	4
27	68RM40-1356P	Bracket, Deutsch Connector, Painted	1
28	10-00247-03	Breaker, Circuit - 15 AMP	1
29	34-01305-01	Screw, Pan Head, Phillips, #6-32 x 1/2 Inch Long, SST	4
30	34-00667-07	Nut, Hex, Self-Locking #6-32, SST	4
31	66U1-5371-7	Screw, Hex Head Slotted, #10-24 x 1/2 Inch Long, SST	4
32	34-00663-09	Washer, Split Lock, #10, SST	6
33	34-06264-06	Screw, Hex Head Slotted, #8-32 x 3/4 Inch Long, SST	2
34	22-01563-05	Terminal Block, 4 Poles	1
35	62-62040-04	Label, <b>1,2,3,4 TB</b>	1
36	AC201-600	Diode, In-Line, 6 AMP	1
37	AC201-244	Terminal, Butt Connector, 14-16 AWG	2
38	AC202-209	Tubing, Heat Shrink, 3/16, W/Adhesive	1
39	62-62041-22	Label, <b>ESR</b>	1
40	22-02336-04	Fuse, 10 AMP	2
41	22-01449-00	Clip, Wire & Cord	1
42	22-02338-02	Holder, Fuse	1
43	10-00286-09	Relay, SPDT, 24VDC	3
44	AC201-931	Lock, Connector	3
45	AC201-901	Connector, Relay Socket	3
46	62-62041-25	Label, <b>PR</b>	1
47	62-62043-06	Label, <b>CB5 (40 A) Cond Motor 1</b>	1
48	62-62043-04	Label, <b>CB4 (40 A) Cond Motor 2</b>	1
49	62-62043-02	Label, <b>CB3 (40 A) Evap Motor 1</b>	1
50	62-62043-00	Label, <b>CB2 (40 A) Evap Motor 2</b>	1
51	62-62044-00	Label, <b>CB1, Boost Pump (15 AMP)</b>	1
52	34-00373-05	Clamp, Tube, Neoprene Cushion, 1/2 Inch Diameter, SST	1



3.12 Electrical Control Panel - Model 68RM35-604-48

Kit 68RM35-168-29



Note: Common Parts Are Listed In Section 3.1

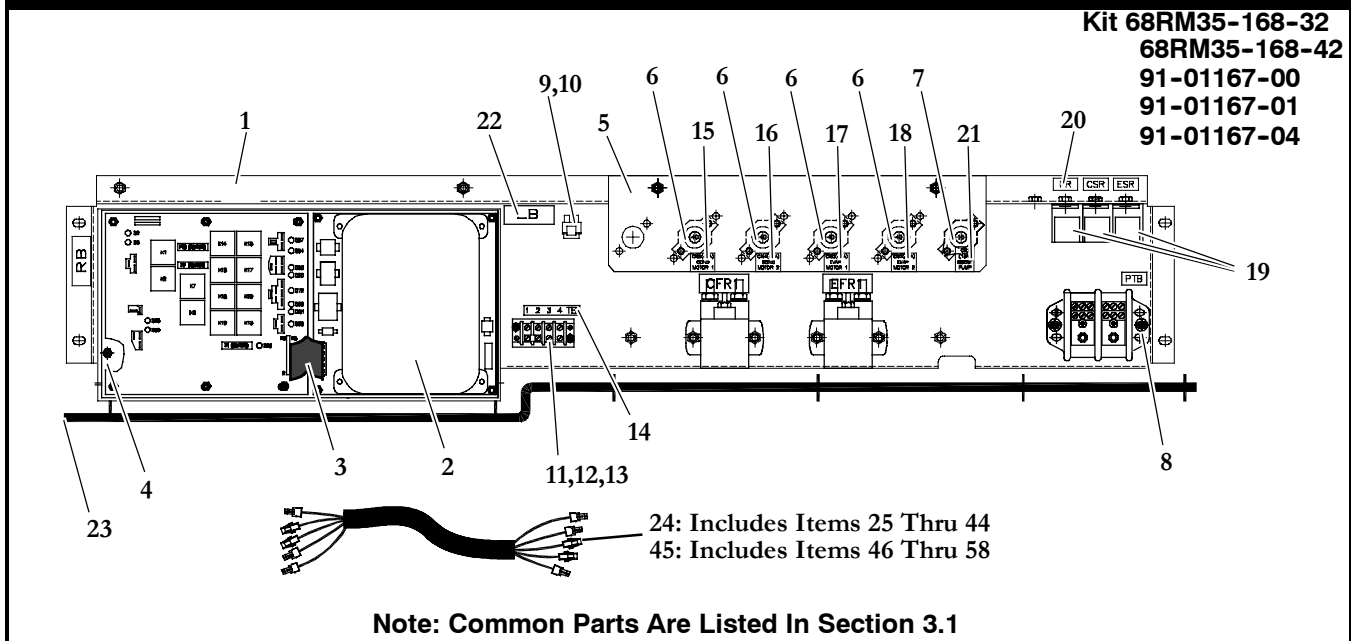
Item	Part Number	Description	Qty
1	68-62477-00	Panel Assembly, Electrical, Painted	1
2	12-00392-15	Module, Logic Controller 24VDC (300 PSI) - Includes:	1
3	22-50236-00	Harness, Ribbon Cable, 26 Pin (Logic Module to Relay Board)	1
4	68RM40-157	Panel Assembly, Relay Board & Logic Module, Painted	1
5	22-62060-00	Wire Harness, WF/WF Micromax - Includes:	1
6	22-50144-00	Connector, 4 Position, (J1)	1
7	22-50145-00	Connector, 4 Position (J2)	1
8	22-50146-00	Connector, 9 Position (J3)	1
9	22-50143-00	Connector, 15 Position (J4)	1
10	CM983-618	Connector, 24 Position (J6)	1
11	22-50135-00	Connector, Female, 3 Position (JP3) (JP7)	2
12	22-50136-00	Connector, Female, 6 Position (JP4)	1
13	22-50137-00	Connector, Female, 5 Position (JP5)	1
14	22-50138-00	Connector, Female, 4 Position (JP6)	1
15	22-50134-00	Connector, Female, 2 Position (JP8)	1
16	22-50275-00	Connector, Female, 3 Position (JP9)	1
17	22-50153-00	Terminal, Socket, Female (J1)	2
18	22-50152-00	Terminal, Socket, Female (J2,J3,J4,J6)	22
19	22-50148-00	Terminal, Female (JP3 Thru JP9)	26
20	22-01566-01	Terminal, Socket, Female (18-20 AWG)	25
21	22-50122-05	Terminal, Female	14
22	22-02393-01	Terminal, Male (18-20 AWG)	2



<b>3.12 Electrical Control Panel - Model 68RM35-604-48 (Continued)</b>			
<b>Item</b>	<b>Part Number</b>	<b>Description</b>	<b>Qty</b>
23	12-00495-02SV	Thermistor Sensor Kit, Return Air (Replacement For 12-00305-04)	1
24	68RM35-1027P	Panel, Circuit Breaker, Painted	1
25	10-00307-01	Breaker, Circuit - 60 AMP	4
26	62-62041-24	Label, <b>LB</b>	1
27	66U1-5371-7	Screw, Hex Head Slotted, #10-24 x 1/2 Inch Long, SST	12
28	34-00663-09	Washer, Split Lock, #10, SST	14
29	22-02336-04	Fuse, 10 AMP	2
30	22-01449-00	Clip, Wire & Cord	1
31	34-06264-06	Screw, Hex Head Slotted, #8-32 x 3/4 Inch Long, SST	2
32	22-02338-02	Holder, Fuse	1
33	22-01563-05	Terminal Block, 4 Poles	1
34	22-01612-00	Jumper, Terminal Block, Brass	1
35	62-62040-04	Label, <b>1,2,3,4 TB</b>	1
36	AC201-600	Diode, In-Line, 6 AMP	5
37	AC201-244	Terminal, Butt Connector, 14-16 AWG	10
38	AC202-209	Tubing, Heat Shrink, 3/16, W/Adhesive	3
39	62-62041-21	Label, <b>EFR2</b>	1
40	62-62041-13	Label, <b>CFR2</b>	1
41	62-62041-22	Label, <b>ESR</b>	1
42	62-62043-07	Label, <b>CB5 (60 A) Cond Motor 1</b>	1
43	62-62043-05	Label, <b>CB4 (60 A) Cond Motor 2</b>	1
44	62-62043-03	Label, <b>CB3 (60 A) Evap Motor 1</b>	1
45	62-62043-01	Label, <b>CB2 (60 A) Evap Motor 2</b>	1
46	10-00286-09	Relay, 24 VDC, 40 Amp, SPD <sup>T</sup>	3
47	AC201-931	Lock, Connector	3
48	AC201-901	Connector, Relay Socket	3
49	62-62041-25	Label, <b>PR</b>	1
50	62-62041-07	Label, <b>ACSL</b>	1
51	68RM40-1316	Label, <b>FBR</b>	1



**3.13 Electrical Control Panel - Model 68RM35-604-50, -51, -55, -58, -68, -74, -84, -90, -91, -92, -93, -96**



**Note: Common Parts Are Listed In Section 3.1**

Item	Part Number	Description	Qty
1	68-62603-00	Panel Assembly, Electrical, Painted	1
2	12-00392-15	Module, Logic Controller 24VDC (300 PSI) Used On Models 68RM35-604-50, -51, -55, -58, -68, -90, -91, -96 - Includes:	1
	12-00392-16	Module, Logic Controller 24VDC (350 PSI) Used On Models 68RM35-604-74, -84, -92, -93 - Includes:	
3	22-50236-00	Harness, Ribbon Cable, 26 Pin (Logic Module to Relay Board)	1
4	68RM40-157	Panel Assembly, Relay Board & Logic Module, Painted	1
5	68-62604-00	Panel, Circuit Breaker, Painted	1
6	10-00247-05	Breaker, Circuit - 40 AMP	4
7	10-00247-03	Breaker, Circuit - 15 AMP	1
8	34-00655-08	Bolt, Hex Head, 1/4-20 x 1 Inch Long, SST	2
9	22-02336-04	Fuse, 10 AMP	1
10	22-01449-00	Clip, Wire & Cord	1
11	34-06264-06	Screw, Hex Head Slotted, #08-32 x 3/4 Inch Long, SST	2
12	22-01563-05	Terminal Block, 4 Poles	1
13	22-01612-00	Jumper, Terminal Block, Brass	1
14	62-62040-04	Label, <b>1,2,3,4 TB</b>	1
15	62-62043-06	Label, <b>CB5, (40 A) Cond Motor 1</b>	1
16	62-62043-04	Label, <b>CB4, (40 A) Cond Motor 2</b>	1
17	62-62043-02	Label, <b>CB3, (40 A) Evap Motor 1</b>	1
18	62-62043-00	Label, <b>CB2, (40 A) Evap Motor 2</b>	1
19	10-00286-09	Relay, 24 VDC, 40 Amp, SPD <sup>T</sup>	3
20	62-62041-25	Label, <b>PR</b>	1
21	62-62044-00	Label, <b>CB1, Boost Pump (15 AMP)</b>	1
22	62-62041-24	Label, <b>LB</b>	1
23	22-62080-00	Wire Harness, Power	1



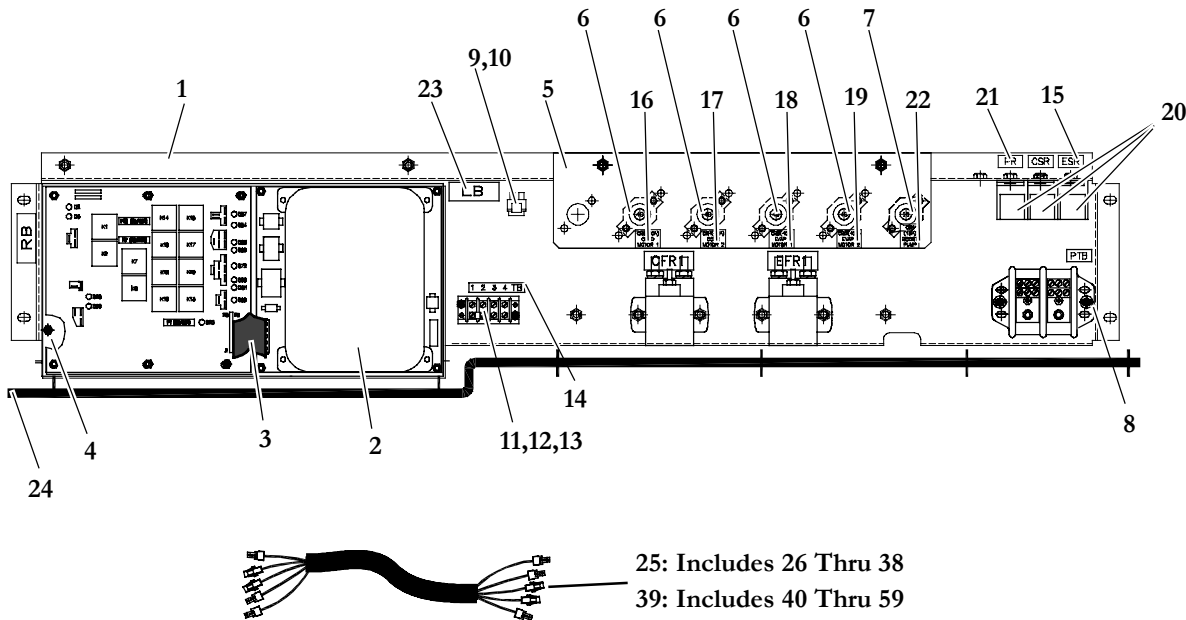
**3.13 Electrical Control Panel - Model 68RM35-604-50, -51, -55, -58, -68, -74, -84, -90, -91, -92, -93, -96 (Continued)**

Item	Part Number	Description	Qty
24	22-62077-00	Wire Harness, Control (PM & WF) - Includes:	1
25	22-50144-00	Connector, Housing Kit, 4 Position, (J1)	1
26	22-50153-00	Terminal, Socket, Female (J1)	4
27	CM983-618	Connector, 24 Position (J6)	1
28	22-50152-00	Terminal, Socket, Female (J6)	24
29	22-50135-00	Connector, Female, 3 Position (JP7)	1
30	22-50148-00	Terminal, Female (JP7, JP8 & JP9)	8
31	22-50134-00	Connector, Female, 2 Position (JP8)	1
32	22-50275-00	Connector, Female, 3 Position (JP9)	1
33	22-50122-05	Terminal, Female	8
34	22-50122-15	Terminal, Female	8
35	22-50346-00	Terminal, Female (JP7) (JP9)	3
36	22-50347-00	Terminal, Female (JP7) (JP9)	4
37	22-50122-05	Terminal, Female (Relay Connector)	4
38	AC201-901	Connector, Relay	3
39	AC201-931	Lock, Connector, Relay	3
40	22-50359-00	Terminal, Socket (J1)	1
41	AC201-600	Diode, In-Line, 6 AMP	2
42	22-02336-04	Fuse, 10 AMP	1
43	22-02338-02	Holder, Fuse	1
44	12-00495-02SV	Thermistor Sensor Kit, (RAS) (Replacement For 12-00305-04)	1
45	22-62082-00	Wire Harness, Interface, Used on 68RM35-604-50, -51, -55, -58, -68, -74, -84 - Includes:	1
	22-02863-00	Wire Harness, Interface, Used on 68RM35-604-90, -91, -92, -93 - Includes:	
	22-02896-00	Wire Harness, Interface, Used on 68RM35-604-96 - Includes:	
46	22-50146-00	Connector, 9 Position (J3)	1
47	22-50152-00	Terminal, Socket, Female (J3 & J4)	6
48	22-50143-00	Connector, 15 Position (J4)	1
49	22-50135-00	Connector, Female, 3 Position (JP3)	1
50	22-50148-00	Terminal, Female (JP3, JP4, JP5 & JP6)	14
51	22-50136-00	Connector, Female, 6 Position (JP4)	1
52	22-50137-00	Connector, Female, 5 Position (JP5)	1
53	22-50138-00	Connector, Female, 4 Position (JP6)	1
54	22-02392-00SV	Connector Kit, 2 Pin (WPF) - Includes:	1
55	<b>NSS</b>	Connector, 2 Pin, Black	1
56	22-02393-01	Terminal, Male (18-20 AWG)	2
57	22-02394-01	Seal, Cable	2
58	22-01566-01	Terminal, Socket, Female (18-20 AWG)	12



**3.14 Electrical Control Panel - Model 68RM35-604-52, -64, -80**

**Kit 68RM35-168-34  
68RM35-168-44**



**Note: Common Parts Are Listed In Section 3.1**

Item	Part Number	Description	Qty
1	68-62603-00	Panel Assembly, Electrical, Painted	1
2	12-00392-15	Module, Logic Controller 24VDC (300 PSI) Used On Models 68RM35-604-52, -64 - Includes:	1
	12-00392-16	Module, Logic Controller 24VDC (350 PSI) Used On Model 68RM35-604-80 - Includes:	
3	22-50236-00	Harness, Ribbon Cable, 26 Pin (Logic Module To Relay Board)	1
4	68RM40-157	Panel Assembly, Relay Board & Logic Module, Painted	1
5	68-62604-00	Panel, Circuit Breaker, Painted	1
6	10-00247-05	Breaker, Circuit - 40 AMP	4
7	10-00247-03	Breaker, Circuit - 15 AMP	1
8	34-00655-08	Bolt, Hex Head, 1/4-20 x 1 Inch Long, SST	2
9	22-02336-04	Fuse, 10 AMP	1
10	22-01449-00	Clip, Wire & Cord	1
11	34-06264-06	Screw, Hex Head Slotted, #08-32 x 3/4 Inch Long, SST	2
12	22-01563-05	Terminal Block, 4 Poles	1
13	22-01612-00	Jumper, Terminal Block, Brass	1
14	62-62040-04	Label, <b>1,2,3,4 TB</b>	1
15	62-62041-22	Label, <b>ESR</b>	1
16	62-62043-06	Label, <b>CB5, (40 A) Cond Motor 1</b>	1
17	62-62043-04	Label, <b>CB4, (40 A) Ccond Motor 2</b>	1
18	62-62043-02	Label, <b>CB3, (40 A) Evap Motor 1</b>	1
19	62-62043-00	Label, <b>CB2, (40 A) Evap Motor 2</b>	1
20	10-00286-09	Relay, 24 VDC, 40 Amp, SPDT	3

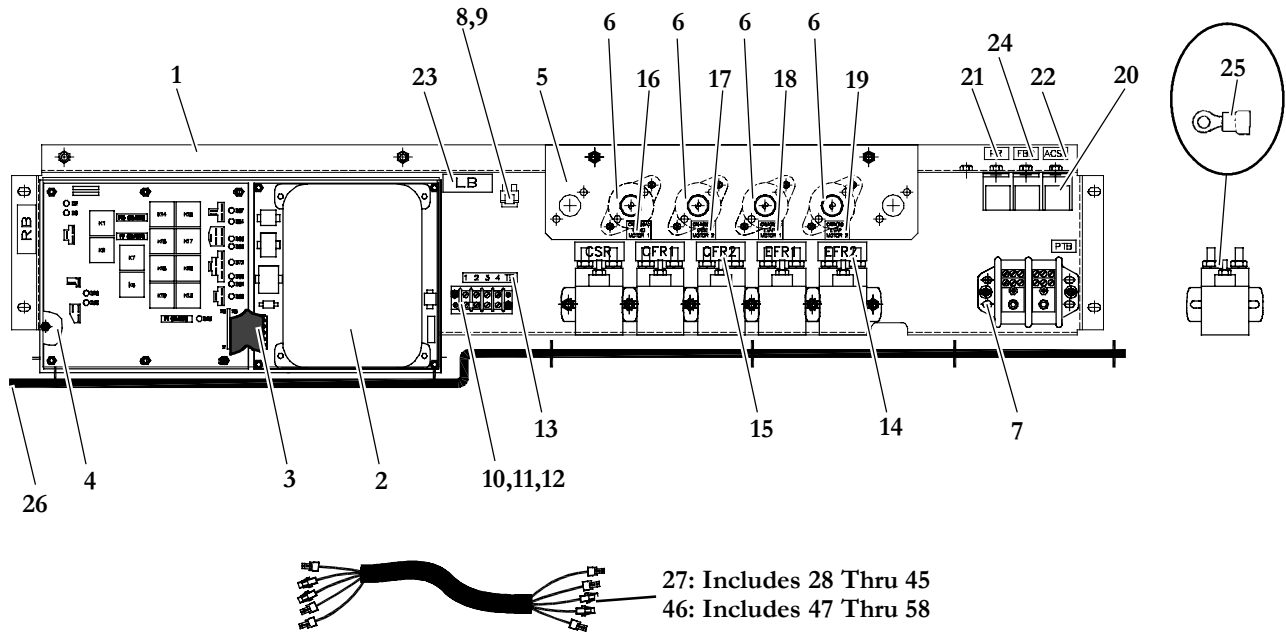


<b>3.14 Electrical Control Panel - Model 68RM35-604-52, -64, -80 (Continued)</b>			
<b>Item</b>	<b>Part Number</b>	<b>Description</b>	<b>Qty</b>
21	62-62041-25	Label, <b>PR</b>	1
22	62-62044-00	Label, <b>CB1, Boost Pump (15 AMP)</b>	1
23	62-62041-24	Label, <b>LB</b>	1
24	22-62080-00	Wire Harness, Power	1
25	22-62088-00	Wire Harness, Interface - Includes:	1
26	22-50145-00	Connector, 4 Position (J2)	1
27	22-50152-00	Terminal, Socket, Female (J2 & J4)	6
28	22-50143-00	Connector, 15 Position (J4)	1
29	22-50135-00	Connector, Female, 3 Position (JP3)	1
30	22-50148-00	Terminal, Female (JP3, JP4, JP5 & JP6)	17
31	22-01566-01	Terminal, Socket, Female (18-20 AWG)	12
32	22-50136-00	Connector, Female, 6 Position (JP4)	1
33	22-50137-00	Connector, Female, 5 Position (JP5)	1
34	22-50138-00	Connector, Female, 4 Position (JP6)	1
35	22-02392-00SV	Connector Kit, 2 Pin (WPF) - Includes:	1
36	<b>NSS</b>	Connector, 2 Pin, Black	1
37	22-02393-01	Terminal, Male (18-20 AWG)	2
38	22-02394-01	Seal, Cable	2
39	22-62077-00	Wire Harness, Control (PM & WF) - Includes:	1
40	22-50144-00	Connector, Housing Kit, 4 Position, (J1)	1
41	22-50153-00	Terminal, Socket, Female (J1)	4
42	CM983-618	Connector, 24 Position (J6)	1
43	22-50152-00	Terminal, Socket, Female (J6)	24
44	22-50135-00	Connector, Female, 3 Position (J7)	1
45	22-50148-00	Terminal, Female (J7, J8 & J9)	8
46	22-50134-00	Connector, Female, 2 Position (J8)	1
47	22-50275-00	Connector, Female, 3 Position (J9)	1
48	22-50122-05	Terminal, Female	8
49	22-50122-15	Terminal, Female	8
50	22-50346-00	Terminal, Female (JP7) (JP9)	3
51	22-50347-00	Terminal, Female (JP7) (JP9)	4
52	22-50122-05	Terminal, Female (Relay Connector)	4
53	AC201-901	Connector, Relay	3
54	AC201-931	Lock, Connector, Relay	3
55	22-50359-00	Terminal, Socket (J1)	1
56	AC201-600	Diode, In-Line, 6 AMP	2
57	22-02336-04	Fuse, 10 AMP	1
58	22-02338-02	Holder, Fuse	1
59	12-00495-02SV	Thermistor Sensor Kit, (RAS) (Replacement For 12-00305-04)	1



3.15 Electrical Control Panel - Model 68RM35-604-59, -69, -75, -85

Kit 68RM35-168-37  
68RM35-168-47



Note: Common Parts Are Listed In Section 3.1

Item	Part Number	Description	Qty
1	68-62603-00	Panel Assembly, Electrical, Painted	1
2	12-00392-15	Module, Logic Controller 24VDC (300 PSI) Used On Models 68RM35-604-59, -69 - Includes:	1
	12-00392-16	Module, Logic Controller 24VDC (350 PSI) Used on Models 68RM35-604-75, -85 - Includes:	
3	22-50236-00	Harness, Ribbon Cable, 26 Pin (Logic Module To Relay Board)	1
4	68RM40-157	Panel Assembly, Relay Board & Logic Module, Painted	1
5	68-62604-00	Panel, Circuit Breaker, Painted	1
6	10-00307-01	Breaker, Circuit - 60 AMP	4
7	34-00655-08	Bolt, Hex Head, 1/4-20 x 1 Inch Long, SST	2
8	22-02336-04	Fuse, 10 AMP	1
9	22-01449-00	Clip, Wire & Cord	1
10	34-06264-06	Screw, Hex Head Slotted, #08-32 x 3/4 Inch Long, SST	2
11	22-01563-05	Terminal Block, 4 Poles	1
12	22-01612-00	Jumper, Terminal Block, Brass	1
13	62-62040-04	Label, 1,2,3,4 TB	1
14	62-62041-21	Label, EFR2	1
15	62-62041-13	Label, CFR2	1
16	62-62043-07	Label, CB5, (60 A) Cond Motor 1	1
17	62-62043-05	Label, CB4, (60 A) Cond Motor 2	1
18	62-62043-03	Label, CB3, (60 A) Evap Motor 1	1
19	62-62043-01	Label, CB2, (60 A) Evap Motor 2	1





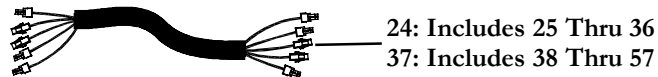
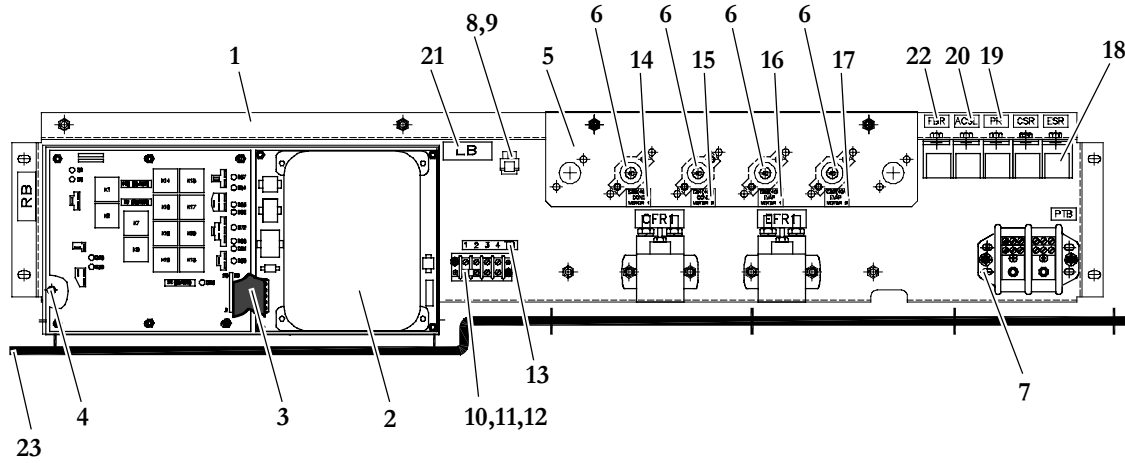
**3.15 Electrical Control Panel - Model 68RM35-604-59, -69, -75, -85 (Continued)**

Item	Part Number	Description	Qty
20	10-00286-09	Relay, 24 VDC, 40 Amp, SPDT	3
21	62-62041-25	Label, <b>PR</b>	1
22	62-62041-07	Label, <b>ACSL</b>	1
23	62-62041-24	Label, <b>LB</b>	1
24	68RM40-1316	Label, <b>FBR</b>	1
25	22-00121-27	Terminal, Ring, #10, 22-16 AWG, Red Vinyl	2
26	22-62079-00	Wire Harness, Power	1
27	22-62076-00	Wire Harness, Control (PM & WF) - Includes:	1
28	22-50144-00	Connector, Housing Kit, 4 Position, (J1)	1
29	22-50153-00	Terminal, Socket, Female (J1)	2
30	CM983-618	Connector, 24 Position (J6)	1
31	22-50152-00	Terminal, Socket, Female (J6)	12
32	22-50135-00	Connector, Female, 3 Position (JP7)	1
33	22-50148-00	Terminal, Female (JP8)	2
34	22-50134-00	Connector, Female, 2 Position (JP8)	1
35	22-50275-00	Connector, Female, 3 Position (JP9)	1
36	22-50346-00	Terminal, Female (JP7) (JP9)	4
37	22-50347-00	Terminal, Female (JP7) (JP9)	4
38	22-50122-05	Terminal, Female (Relay Connector)	4
39	AC201-901	Connector, Relay	1
40	AC201-931	Lock, Connector, Relay	1
41	22-50359-00	Terminal, Socket (J1)	1
42	AC201-600	Diode, In-Line, 6 AMP	2
43	22-02336-04	Fuse, 10 AMP	1
44	22-02338-02	Holder, Fuse	1
45	12-00495-02SV	Thermistor Sensor Kit, (RAS) (Replacement For 12-00305-04)	1
46	22-62081-00	Wire Harness, Interface - Includes:	1
47	22-50146-00	Connector, 9 Position (J3)	1
48	22-50152-00	Terminal, Socket, Female (J3 & J4)	6
49	22-50143-00	Connector, 15 Position (J4)	1
50	22-50135-00	Connector, Female, 3 Position (JP3)	1
51	22-50148-00	Terminal, Female (JP3, JP4, JP5 & JP6)	17
52	22-50136-00	Connector, Female, 6 Position (JP4)	1
53	22-50137-00	Connector, Female, 5 Position (JP5)	1
54	22-50138-00	Connector, Female, 4 Position (JP6)	1
55	22-02392-00SV	Connector Kit, 2 Pin (WPF) - Includes:	1
56	<b>NSS</b>	Connector, 2 Pin, Black	1
57	22-02393-01	Terminal, Male (18-20 AWG)	2
58	22-02394-01	Seal, Cable	2



3.16 Electrical Control Panel - Model 68RM35-604-63, -66, -70, -79, -82, -86

Kit 68RM35-168-38  
68RM35-168-48



Note: Common Parts Are Listed In Section 3.1

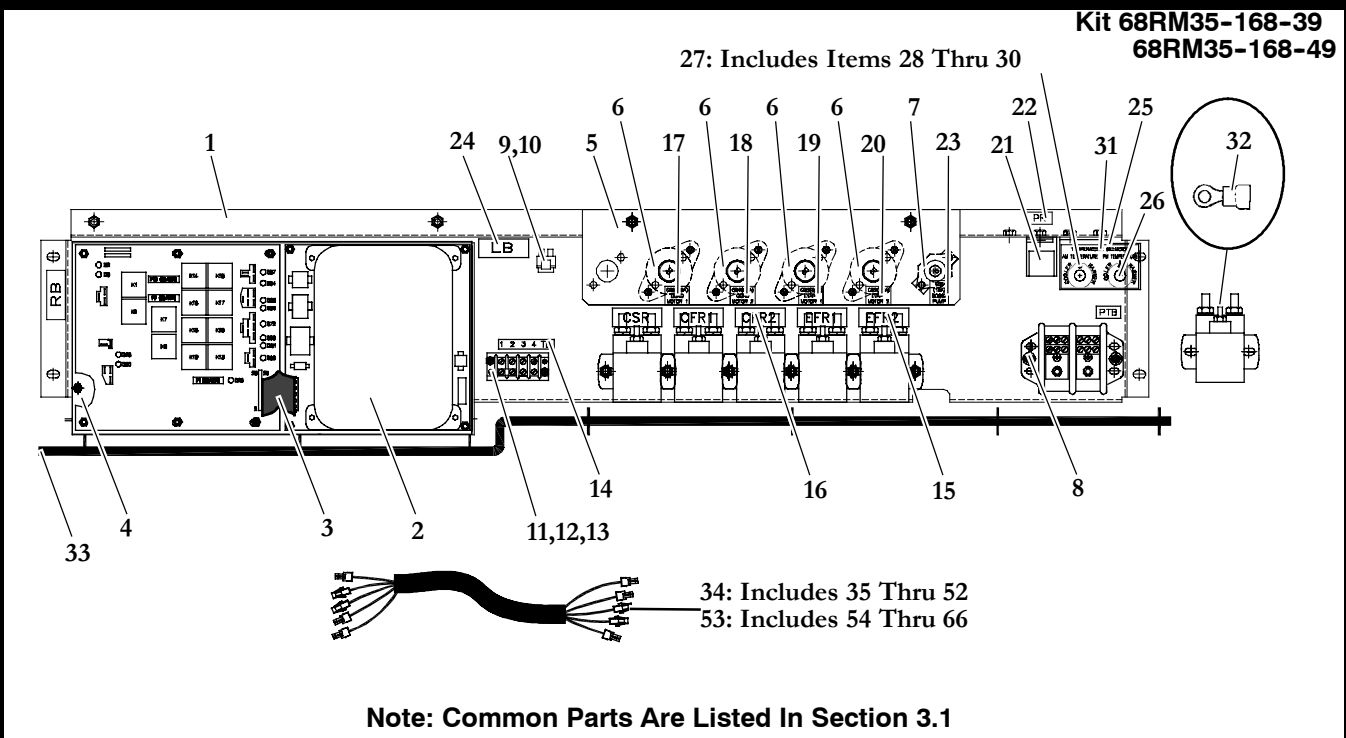
Item	Part Number	Description	Qty
1	68-62603-00	Panel Assembly, Electrical, Painted	1
2	12-00392-15	Module, Logic Controller 24VDC (300 PSI) Used On Models 68RM35-604-63, -66, -70 - Includes:	1
	12-00392-16	Module, Logic Controller 24VDC (350 PSI) Used On Models 68RM35-604-79, -82, -86 - Includes:	
3	22-50236-00	Harness, Ribbon Cable, 26 Pin (Logic Module to Relay Board)	1
4	68RM40-157	Panel Assembly, Relay Board & Logic Module, Painted	1
5	68-62604-00	Panel, Circuit Breaker, Painted	1
6	10-00247-05	Breaker, Circuit - 40 AMP	4
7	34-00655-08	Bolt, Hex Head, 1/4-20 x 1 Inch Long, SST	2
8	22-02336-04	Fuse, 10 AMP	1
9	22-01449-00	Clip, Wire & Cord	1
10	34-06264-06	Screw, Hex Head Slotted, #08-32 x 3/4 Inch Long, SST	2
11	22-01563-05	Terminal Block, 4 Poles	1
12	22-01612-00	Jumper, Terminal Block, Brass	1
13	62-62040-04	Label, 1,2,3,4 TB	1
14	62-62043-06	Label, CB5, (40 A) Cond Motor 1	1
15	62-62043-04	Label, CB4, (40 A) Cond Motor 2	1
16	62-62043-02	Label, CB3, (40 A) Evap Motor 1	1
17	62-62043-00	Label, CB2, (40 A) Evap Motor 2	1
18	10-00286-09	Relay, 24 VDC, 40 Amp, SPDT	5
19	62-62041-25	Label, PR	1
20	62-62041-07	Label, ACSL	1



<b>3.16 Electrical Control Panel - Model 68RM35-604-63, -66, -70, -79, -82, -86 (Continued)</b>			
<b>Item</b>	<b>Part Number</b>	<b>Description</b>	<b>Qty</b>
21	62-62041-24	Label, <b>LB</b>	1
22	68RM40-1316	Label, <b>FBR</b>	1
23	22-62080-00	Wire Harness, Power	1
24	22-62081-00	Wire Harness, Interface - Includes:	1
25	22-50146-00	Connector, 9 Position (J3)	1
26	22-50152-00	Terminal, Socket, Female (J3 & J4)	6
27	22-50143-00	Connector, 15 Position (J4)	1
28	22-50135-00	Connector, Female, 3 Position (JP3)	1
29	22-50148-00	Terminal, Female (JP3, JP4, JP5 & JP6)	17
30	22-50136-00	Connector, Female, 6 Position (JP4)	1
31	22-50137-00	Connector, Female, 5 Position (JP5)	1
32	22-50138-00	Connector, Female, 4 Position (JP6)	1
33	22-02392-00SV	Connector Kit, 2 Pin (WPF) - Includes:	1
34	<b>NSS</b>	Connector, 2 Pin, Black	1
35	22-02393-01	Terminal, Male (18-20 AWG)	2
36	22-02394-01	Seal, Cable	2
37	22-62077-00	Wire Harness, Control (PM & WF) - Includes:	1
38	22-50144-00	Connector, Housing Kit, 4 Position, (J1)	1
39	22-50153-00	Terminal, Socket, Female (J1)	2
40	CM983-618	Connector, 24 Position (J6)	1
41	22-50152-00	Terminal, Socket, Female (J6)	12
42	22-50135-00	Connector, Female, 3 Position (JP7)	1
43	22-50148-00	Terminal, Female (JP7, JP8 & JP9)	8
44	22-50134-00	Connector, Female, 2 Position (JP8)	1
45	22-50275-00	Connector, Female, 3 Position (JP9)	1
46	22-50122-05	Terminal, Female	8
47	22-50122-15	Terminal, Female	8
48	22-50346-00	Terminal, Female (JP7) (JP9)	3
49	22-50347-00	Terminal, Female (JP7) (JP9)	4
50	22-50122-05	Terminal, Female (Relay Connector)	4
51	AC201-901	Connector, Relay	3
52	AC201-931	Lock, Connector, Relay	3
53	22-50359-00	Terminal, Socket (J1)	1
54	AC201-600	Diode, In-Line, 6 AMP	2
55	22-02336-04	Fuse, 10 AMP	1
56	22-02338-02	Holder, Fuse	1
57	12-00495-02SV	Thermistor Sensor Kit, (RAS) (Replacement For 12-00305-04)	1



3.17 Electrical Control Panel - Model 68RM35-604-71, -87



**Note: Common Parts Are Listed In Section 3.1**

Item	Part Number	Description	Qty
1	68-62603-00	Panel Assembly, Electrical, Painted	1
2	12-00392-15	Module, Logic Controller 24VDC (300 PSI) Used On Model 68RM35-604-71 - Includes:	1
	12-00392-16	Module, Logic Controller 24VDC (350 PSI) Used On Model 68RM35-604-87 - Includes:	
3	22-50236-00	Harness, Ribbon Cable, 26 Pin (Logic Module to Relay Board)	1
4	68RM40-157	Panel Assembly, Relay Board & Logic Module, Painted	1
5	68-62604-00	Panel, Circuit Breaker, Painted	1
6	10-00307-01	Breaker, Circuit - 60 AMP	4
7	10-00247-03	Breaker, Circuit - 15 AMP	1
8	34-00655-08	Bolt, Hex Head, 1/4-20 x 1 Inch Long, SST	2
9	22-02336-04	Fuse, 10 AMP	1
10	22-01449-00	Clip, Wire & Cord	1
11	34-06264-06	Screw, Hex Head Slotted, #08-32 x 3/4 Inch Long, SST	2
12	22-01563-05	Terminal Block, 4 Poles	1
13	22-01612-00	Jumper, Terminal Block, Brass	1
14	62-62040-04	Label, <b>1,2,3,4 TB</b>	1
15	62-62041-21	Label, <b>EFR2</b>	1
16	62-62041-13	Label, <b>CFR2</b>	1
17	62-62043-07	Label, <b>CB5, (60 A) Cond Motor 1</b>	1
18	62-62043-05	Label, <b>CB4, (60 A) Cond Motor 2</b>	1
19	62-62043-03	Label, <b>CB3, (60 A) Evap Motor 1</b>	1
20	62-62043-01	Label, <b>CB2, (60 A) Evap Motor 2</b>	1
21	10-00286-09	Relay, 24 VDC, 40 Amp, SPD <sup>T</sup>	1
22	62-62041-25	Label, <b>PR</b>	1



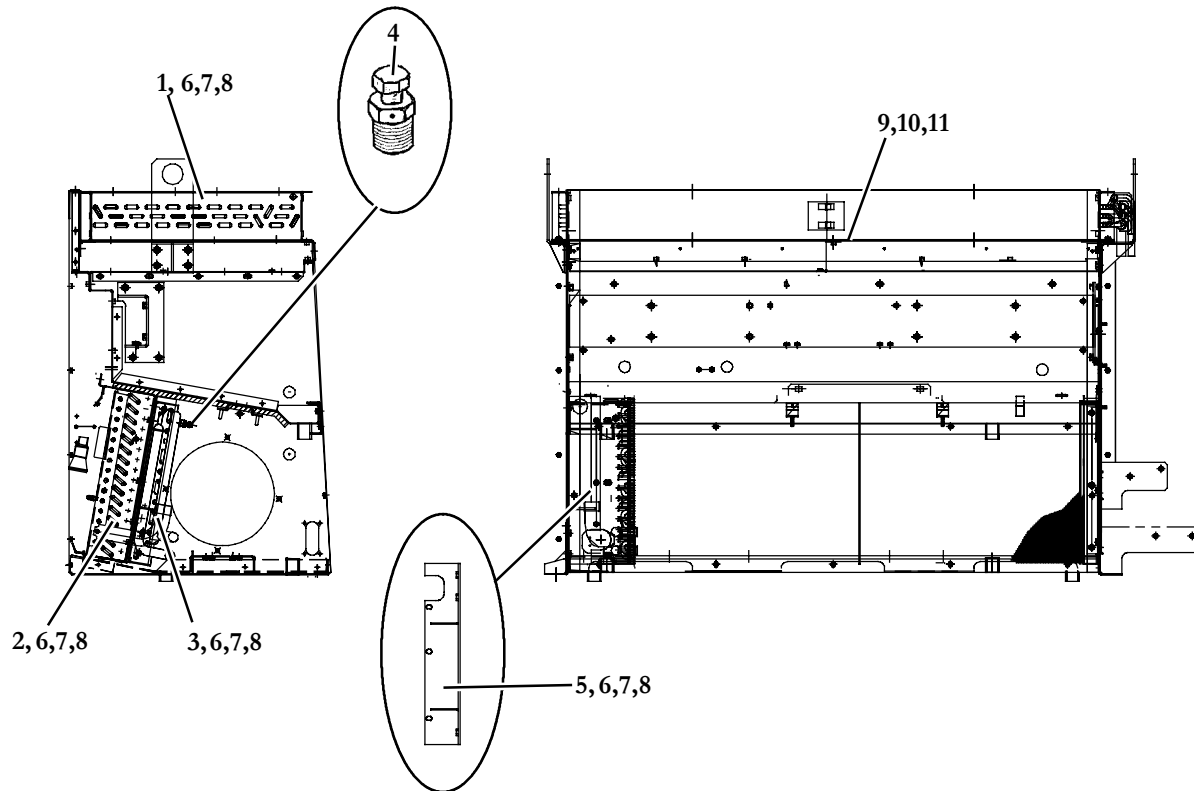
<b>3.17 Electrical Control Panel - Model 68RM35-604-71, -87 (Continued)</b>			
<b>Item</b>	<b>Part Number</b>	<b>Description</b>	<b>Qty</b>
23	62-62044-00	Label, <b>CB1, Boost Pump (15 AMP)</b>	1
24	62-62041-24	Label, <b>LB</b>	1
25	68-63316-00	Bracket, Mounting, Potentiometer	1
26	10-00312-00	Knob, Potentiometer	2
27	22-62191-00	Switch Assembly, Temperature, AM/PM - Includes:	1
28	10-00311-00	Potentiometer	2
29	22-50325-00	Resistor, 3.3K OHM, 1/4 Watt	1
30	22-50326-00	Resistor, 1.5K OHM, 1/4 Watt	1
31	68RM50-1080	Label, Temperature Selector, AM/PM	1
32	22-00121-27	Terminal, Ring, #10, 22-16 AWG, Red Vinyl	2
33	22-62087-00	Wire Harness, Power	1
34	22-62076-00	Wire Harness, Control (PM & WF) - Includes:	1
35	22-50144-00	Connector, Housing Kit, 4 Position, (J1)	1
36	22-50153-00	Terminal, Socket, Female (J1)	2
37	CM983-618	Connector, 24 Position (J6)	1
38	22-50152-00	Terminal, Socket, Female (J6)	12
39	22-50135-00	Connector, Female, 3 Position (J7)	1
40	22-50148-00	Terminal, Female (J7, J8 & J9)	2
41	22-50134-00	Connector, Female, 2 Position (J8)	1
42	22-50275-00	Connector, Female, 3 Position (J9)	1
43	22-50346-00	Terminal, Female (JP7) (JP9)	4
44	22-50347-00	Terminal, Female (JP7) (JP9)	4
45	22-50122-05	Terminal, Female (Relay Connector)	4
46	AC201-901	Connector, Relay	1
47	AC201-931	Lock, Connector, Relay	1
48	22-50359-00	Terminal, Socket (J1)	1
49	AC201-600	Diode, In-Line, 6 AMP	2
50	22-02336-04	Fuse, 10 AMP	1
51	22-02338-02	Holder, Fuse	1
52	12-00495-02SV	Thermistor Sensor Kit, (RAS) (Replacement For 12-00305-04)	1
53	22-02863-00	Wire Harness, Interface - Includes:	1
54	22-50146-00	Connector, 9 Position (J3)	1
55	22-50152-00	Terminal, Socket, Female (J3 & J4)	6
56	22-50143-00	Connector, 15 Position (J4)	1
57	22-50135-00	Connector, Female, 3 Position (JP3)	1
58	22-50148-00	Terminal, Female (JP3, JP4, JP5 & JP6)	14
59	22-50136-00	Connector, Female, 6 Position (JP4)	1
60	22-50137-00	Connector, Female, 5 Position (JP5)	1
61	22-50138-00	Connector, Female, 4 Position (JP6)	1
62	22-02392-00SV	Connector Kit, 2 Pin (WPF) - Includes:	1
63	<b>NSS</b>	Connector, 2 Pin, Black	1
64	22-02393-01	Terminal, Male (18-20 AWG)	2
65	22-02394-01	Seal, Cable	2
66	22-01566-01	Terminal, Socket, Female (18-20 AWG)	12



**4 COIL KIT**

**4.1 Coil Kit - Models 68RM35-104-40, -42, 604-42, -43, -46, -47, -50**

Kit 68RM35-121-7

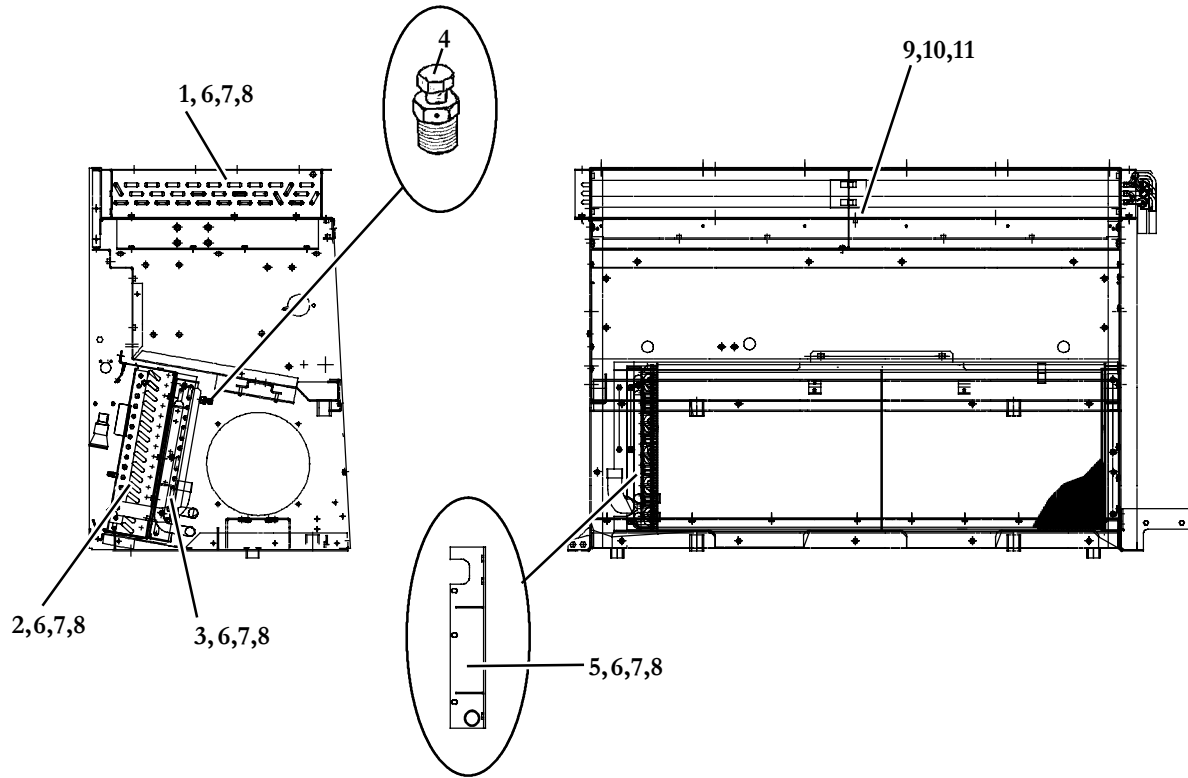


Item	Part Number	Description	Qty
1	08-62014-02	Coil Assembly, Condenser (Aluminum/Copper)	1
2	08-62015-00	Coil Assembly, Evaporator (Aluminum/Copper)	1
3	AC101-626	Coil Assembly, Heater (Aluminum/Copper) - Includes:	1
4	40-00081-00	Fitting, Air Vent, 1/8 MPT, Brass	1
5	86-62068-01	Bracket Assembly, Coil Support, Evaporator	1
6	34-00792-06	Screw, Cap, Hex Head, 5/16-18 x 3/4 Inch Long, SST	23
7	34-00663-12	Washer, Split Lock, 5/16 Inch, SST	23
8	34-00662-12	Washer, Flat, 5/16 Inch, SST	23
9	34-00655-06	Screw, Cap, Hex Head, 1/4-20 x 3/4 Inch Long, SST	3
10	34-00663-11	Washer, Split Lock, 1/4 Inch, SST	3
11	34-00662-11	Washer, Flat, 1/4 Inch, SST	3



4.2 Coil Kit - Model 68RM35-104-41

Kit 68RM35-121-9

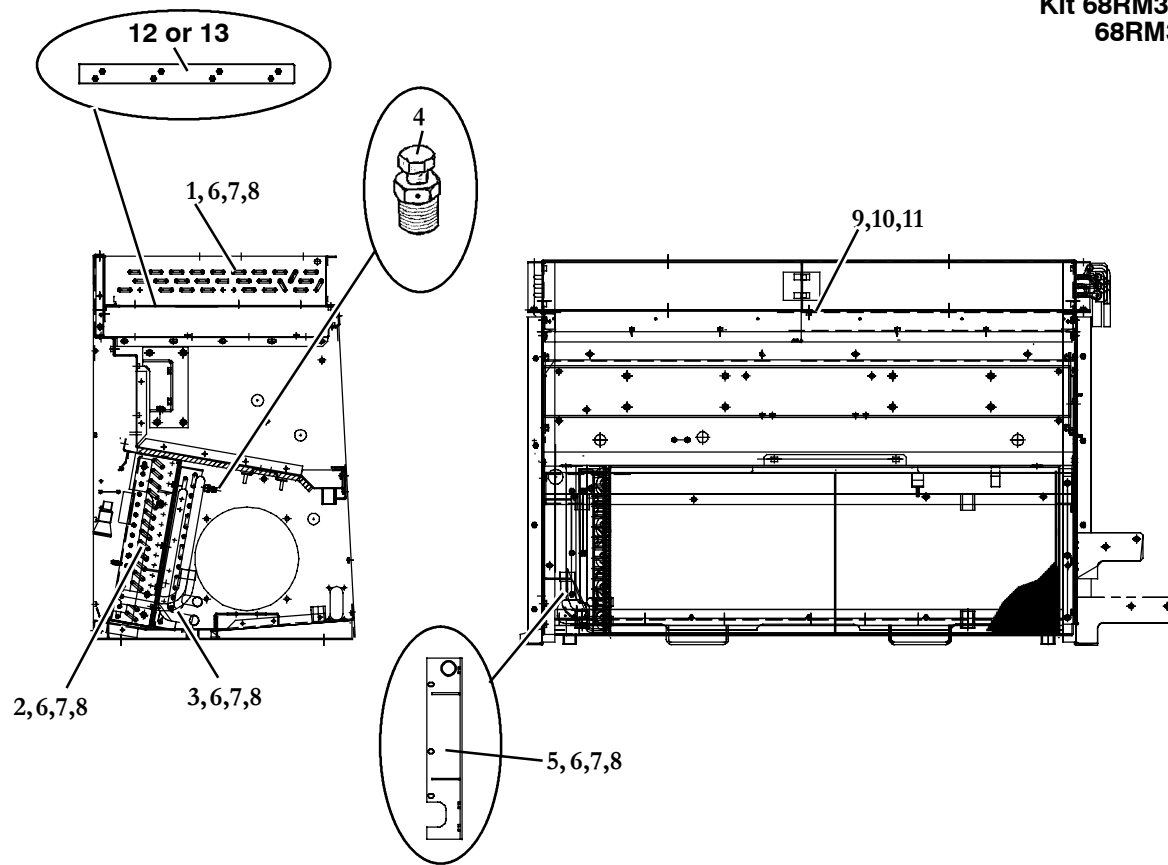


Item	Part Number	Description	Qty
1	08-62014-00	Coil Assembly, Condenser (Aluminum/Copper)	1
2	08-62010-00	Coil Assembly, Evaporator (Aluminum/Copper)	1
3	AC101-626	Coil Assembly, Heater (Aluminum/Copper) - Includes:	1
4	40-00081-00	Fitting, Air Vent, 1/8 MPT, Brass	1
5	68RM35-528	Bracket Assembly, Coil Support, Evaporator	1
6	34-00792-06	Screw, Cap, Hex Head, 5/16-18 x 3/4 Inch Long, SST	22
7	34-00663-12	Washer, Split Lock, 5/16 Inch, SST	22
8	34-00662-12	Washer, Flat, 5/16 Inch, SST	22
9	34-00655-06	Screw, Cap, Hex Head, 1/4-20 x 3/4 Inch Long, SST	3
10	34-00663-11	Washer, Split Lock, 1/4 Inch, SST	3
11	34-00662-11	Washer, Flat, 1/4 Inch, SST	3



**4.3 Coil Kit - Models 68RM35-104-43, -45, 604-49, -51, -54, -55, -56, -58, -60, -61, -62, -67, -68, -71, -72, -74, -76, -77, -78, -83, -84, -87, -88, -90, -91, -92, -93, -94, -96**

**Kit 68RM35-121-11  
68RM35-121-13**



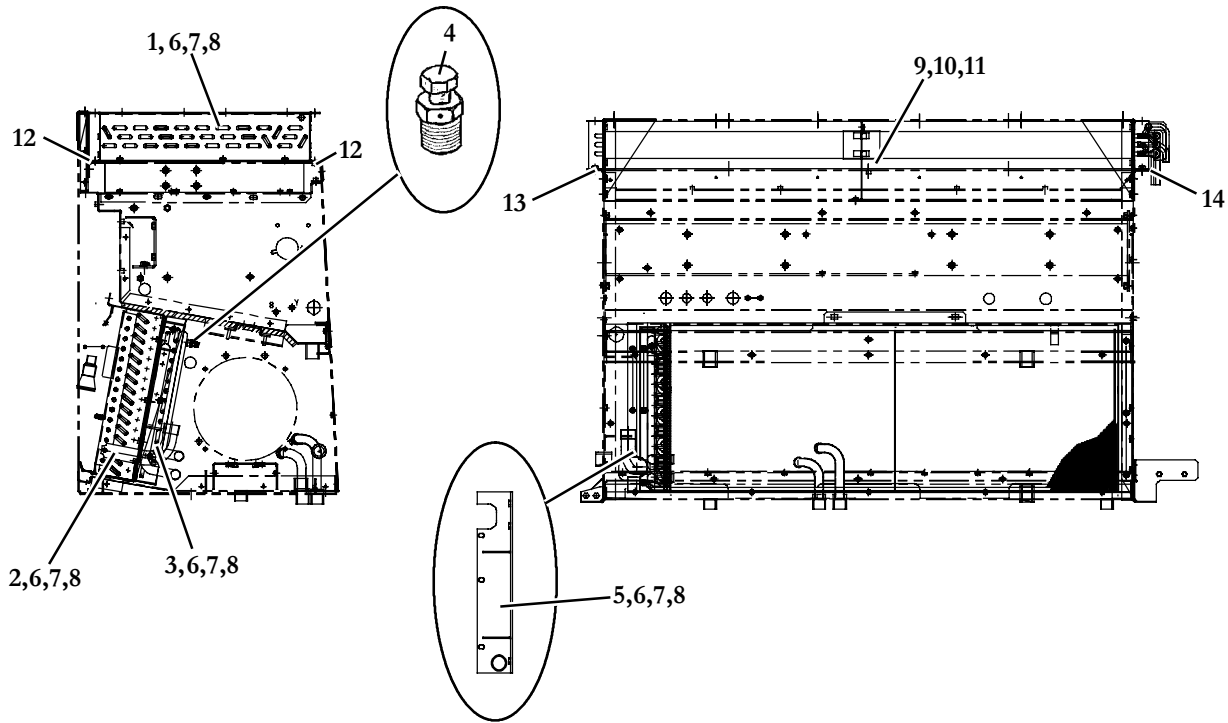
Item	Part Number	Description	Qty
1	08-62014-02	Coil Assembly, Condenser (Aluminum/Copper)	1
	08-01062-02	Coil Assembly, Condenser (Aluminum/Copper) Used In Units 68RM35-604-49, -72 Only	
2	08-62015-00	Coil Assembly, Evaporator (Aluminum/Copper)	1
3	AC101-626	Coil Assembly, Heater (Aluminum/Copper) - Includes:	1
4	40-00081-00	Fitting, Air Vent, 1/8 MPT, Brass	1
5	86-62209-00	Bracket Assembly, Coil Support, Evaporator	1
6	34-00792-06	Screw, Cap, Hex Head, 5/16-18 x 3/4 Inch Long, SST	22
7	34-00663-12	Washer, Split Lock, 5/16 Inch, SST	22
8	34-00662-12	Washer, Flat, 5/16 Inch, SST	22
9	34-00655-06	Screw, Cap, Hex Head, 1/4-20 x 3/4 Inch Long, SST	A/R
10	34-00663-11	Washer, Split Lock, 1/4 Inch, SST	A/R
11	34-00662-11	Washer, Flat, 1/4 Inch, SST	A/R
12	68-08246-00	Adapter, Intake, Air Duct (Curbside) - Models 68RM35-604-49, -96 Only	1
13	68-08246-01	Adapter, Intake, Air Duct (Roadside) - Models 68RM35-604-49, -96 Only	1





**4.4 Coil Kit - Models 68RM35-604-41, -44, -45, -48, -52, -53, -59, -63, -64, -65, -66, -69, -70, -73, -75, -79, -80, -81, -82, -85, -86, -95**

**Kit 68RM35-121-6  
68RM35-121-12**



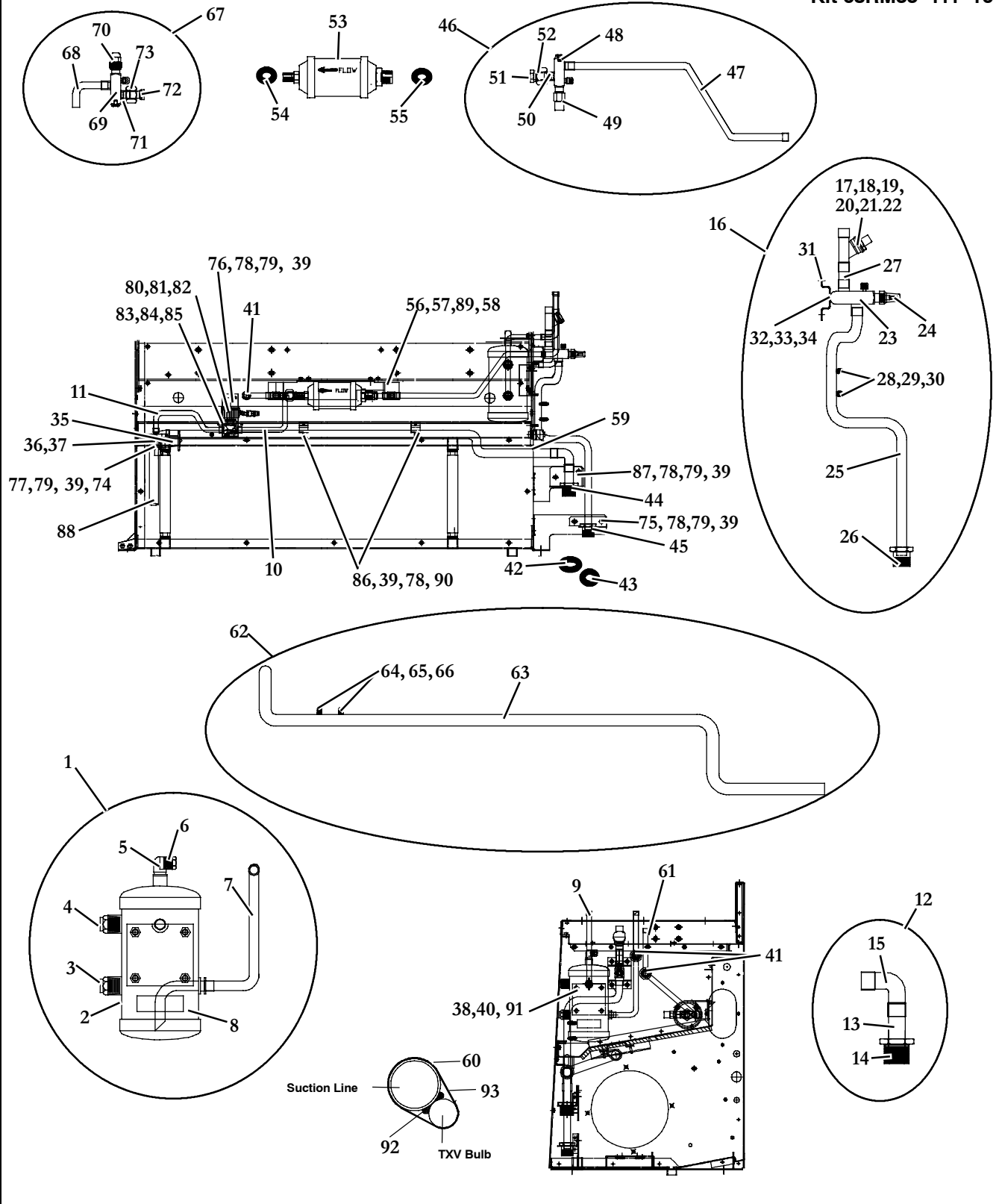
Item	Part Number	Description	Qty
1	AC101-609-2	Coil Assembly, Condenser (Aluminum/Copper)	1
	AC101-609-3	Coil Assembly, Condenser (Copper/Copper) Used In Units 68RM35-604-63, -66, -79, -82 Only	
2	08-62010-00	Coil Assembly, Evaporator (Aluminum/Copper)	1
3	AC101-626	Coil Assembly, Heater (Aluminum/Copper) - Includes:	1
4	40-00081-00	Fitting, Air Vent, 1/8 MPT, Brass	1
5	68RM35-528	Bracket Assembly, Coil Support, Evaporator	1
6	34-00792-06	Screw, Cap, Hex Head, 5/16-18 x 3/4 Inch Long, SST	25
7	34-00663-12	Washer, Split Lock, 5/16 Inch, SST	25
8	34-00662-12	Washer, Flat, 5/16 Inch, SST	25
9	34-00655-06	Screw, Cap, Hex Head, 1/4-20 x 3/4 Inch Long, SST	3
10	34-00663-11	Washer, Split Lock, 1/4 Inch, SST	3
11	34-00662-11	Washer, Flat, 1/4 Inch, SST	3
12	42-62031-00	Gasket, Coil, Neoprene, 0.125 Thick x 1.00 x 54.31 Inches Long, Adhesive Backed	2
13	42-62032-00	Gasket, Coil, Neoprene, 0.125 Thick x 1.00 x 20.00 Inches Long, Adhesive Backed	1
14	42-62033-00	Gasket, Coil, Neoprene, 0.125 Thick x 1.00 x 20.00 Inches Long, Adhesive Backed	1



### 5 REFRIGERANT PIPING KIT - R-22 MODELS

#### 5.1 Refrigerant Piping Kit - Model 68RM35-104-40

Kit 68RM35-111-16



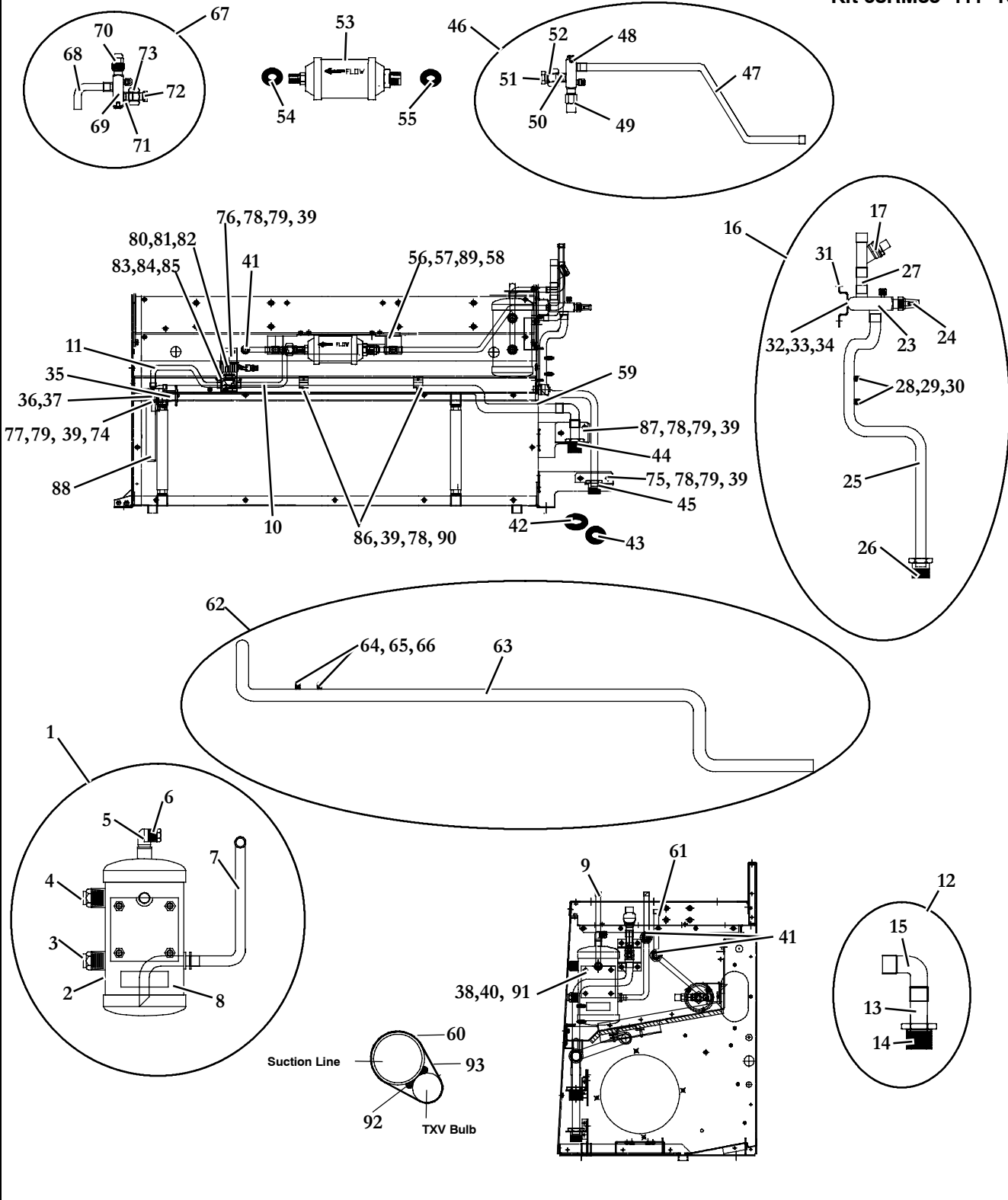


<b>5.1 Refrigerant Piping Kit - Model 68RM35-104-40</b>			
<b>Item</b>	<b>Part Number</b>	<b>Description</b>	<b>Qty</b>
1	81-62012-00	Receiver Tank And Tubing Assembly - Includes:	1
2	AC901-580	Label, Sightglass <b>Wet/Dry</b>	1
3	AC101-203	Sightglass, Indicator, Moisture, 7/8-14	1
4	14-00111-00	Sight Glass, Receiver (Red Ball Float)	1
5	40-00060-03	Elbow, Street, 90 Degree, 3/8 FPT x 3/8 MPT	1
6	14-01032-01	Plug, Fusible, Safety, 3/8 NPTF	1
7	56-62064-00	Tube, Liquid, Bent, 5/8 OD x .040 Wall Copper	1
8	65-01093-00	Receiver Assembly, Plugged, Painted	1
9	56-03839-00	Tube, Liquid, Bent, 5/8 OD x .040 Wall Copper	1
10	56-62089-00	Tube, Liquid, Bent, Solenoid Valve, 5/8 OD x .040 Wall Copper	1
11	56-62088-00	Tube, Liquid, Bent, 5/8 OD x .040 Wall Copper, Solenoid To TXV	1
12	81-62023-00	Tube Assembly, Suction, R-22 - Includes:	1
13	56-62146-21	Tube, Suction, Straight, 1-1/8 OD x .050 Wall x 3.25 Inches Long, Copper	1
14	40-00491-01	Fitting, ORS, 7/8 ODF x 1-7/16-12	1
15	40-00071-46	Elbow, 90 Degree, Long Radius, Copper, 1-1/8 ODS	1
16	81-62030-00	Tube Assembly, Discharge, R-22 - Includes:	1
17	14-00281-04	Valve, Check, 7/8 ODF - Includes:	1
18	14-50050-01	Spring And Piston/Seat Assembly - Includes:	1
19	73-50006-00	Spring, Check, Valve, SST	1
20	16-03301-00	Gasket, Check Valve	1
21	14-50093-00	Disk, Spacer, Check Valve Cap	1
22	14-50051-00	Cap, Check Valve	1
23	40-00501-08	Valve, King, Brass, 7/8 ODF	1
24	40-00501-50	Cap, King Valve, Service Part	1
25	56-62055-00	Tube, Discharge, Bent, 7/8 OD x .045 Wall Copper	1
26	40-00491-00	Fitting, ORS, 7/8 x 1 7/16-12	1
27	<b>99TS1445CK002100</b>	Tube, Discharge, Straight, 7/8 OD x .045 Wall x 2.12 Inches Long, Copper	1
28	40-01124-00	Body, Valve, Schrader, Brass 1/4 SAE Flare - Includes:	2
29	14-00351-00	Core, Access Valve (Nickel Plated)	1
30	DD19CA061	Cap, Seal, Flare, 1/4 Inch	1
31	68RM55-124P	Bracket Assembly, Valve Mounting, Painted	1
32	34-00855-04	Screw, Cap Hex Head, 3/8 -24 x 1/2 Inch Long, SST	1
33	34-00663-13	Washer, Split Lock, 3/8 Inch, SST	1
34	34-00662-13	Washer, Flat, 3/8 Inch, SST	1
35	56-62207-00	Tube Assembly, Equalizer, 1/4 OD x .028 Wall Copper	1
36	66U1-1214-5	Body, Flange, Thermal Expansion Valve, 5/8 ODF Inlet x 7/8 ODF Outlet	1
37	14-01104-52	Valve, Thermal Expansion, Less Flange, 5 Tons, R-22	1
38	34-00807-08	Screw, Cap Hex Head, 3/8 -16 x 1.00 Inch Long, SST	4
39	34-00662-11	Washer, Flat, 1/4 Inch, SST	18
40	34-00662-13	Washer, Flat, 3/8 Inch, SST	4
41	58-00065-85	Grommet, 0.88 ID x 1.12 Hole, .090 Inch Groove	3
42	42-00243-01	O-Ring, 1.19 ID x 0.139 Thick	1
43	42-00243-00	O-Ring, 0.921 ID x 0.139 Thick	1



5.1 Refrigerant Piping Kit - Model 68RM35-104-40 (Continued)

Kit 68RM35-111-16





<b>5.1 Refrigerant Piping Kit - Model 68RM35-104-40 (Continued)</b>			
<b>Item</b>	<b>Part Number</b>	<b>Description</b>	<b>Qty</b>
44	34-06088-01	Nut, Hex Head, ORS 1.125 x 1.69 -12, Plated Steel	1
45	34-06088-00	Nut, Hex Head, ORS 0.88 x 1.43 -12, Plated Steel	1
46	81-62028-00	Valve And Liquid Tubing Assembly - Includes:	1
47	56-62087-00	Tube, Liquid, Bent, 5/8 OD x .040W Copper	1
48	40-00501-06	Valve, King, Brass, 5/8 ODF, R-22	1
49	40-00501-50	Cap, King Valve, Service Part	1
50	56-00143-75	Tube, Straight, 5/8 OD x .040W Copper x 1.62 Inches Long	1
51	40-00503-04	Collar, Tube - 5/8 ORS, Nickel Plated Steel	1
52	34-06121-04	Nut, Hex, ORS Braze (1-3/16-12 Threads)	1
53	14-00320-00	Drier, Filter 3/4 ORS x 5/8 ORS - Includes:	1
54	42-00243-03	O-Ring, .614 ID x .070 Thick	1
55	42-00243-11	O-Ring, .739 ID x .070 Thick	1
56	68-62266-00	Bracket, Valve, Painted	1
57	34-00799-04	Screw, Cap Hex Head, 5/16-24 x 1/2 Inch Long, SST	2
58	34-00662-12	Washer, Flat, 5/16 Inch, SST	2
59	58-00065-86	Grommet, 1.12 ID x 1.38 Hole, 0.125 Inch Groove	1
60	44-00045-03	Clamp, Hose, Worm Type (7/8 - 1-3/4)	2
61	56-62065-00	Tube, Liquid, Bent, 5/8 OD x .040 Wall Copper	2
62	81-62024-00	Tube Assembly, Suction - Includes:	1
63	56-62083-00	Tube, Liquid, Bent, 1-1/8 OD x .050W Copper	1
64	40-01124-00	Body, Valve, Schrader, Brass 1/4 SAE Flare - Includes:	2
65	14-00351-00	Core, Access Valve (Nickel Plated)	1
66	DD19CA061	Cap, Seal, Flare, 1/4 Inch	1
67	81-62029-00	Tube Assembly, Liquid - Includes:	1
68	56-03843-04	Tube, Liquid, Bent, 5/8 OD x .040W Copper	1
69	40-00501-06	Valve, King, Brass, 5/8 ODF, R-22	1
70	40-00501-50	Cap, King Valve, Service Part	1
71	56-00143-75	Tube, Straight, 5/8 OD x .040W Copper x 1.62 Inches Long	1
72	40-00503-03	Collar, Tube - 5/8 ORS, Brass	1
73	34-06121-03	Nut, Hex, ORS Braze (1-14 Threads)	1
74	34-00667-11	Nut, Hex, Self-Locking, 1/4-20, SST	2
75	68-62307-00	Bracket, Support, Discharge Tube, Painted	1
76	68-62158-00	Bracket, Support, Solenoid Valve, Painted	1
77	68-62114-02	Bracket, Support, TXV, Painted	1
78	34-00663-11	Washer, Split Lock, 1/4 Inch, SST	14
79	34-00655-06	Screw, Cap Hex Head, 1/4-20 x 3/4 Inch Long, SST	14
80	14-00236-00	Valve, Solenoid, 5/8 ODF x 7/8 ODM - Includes:	1
81	14-00236-50	Coil, Solenoid Valve, 24 VDC	1
82	14-00236-51	Repair Kit, Solenoid Valve	1
83	34-00663-08	Washer, Split Lock, #8, SST	2
84	34-06264-03	Screw, Hex Head, Slotted With Washer, #8-32 x 0.38 Inch Long, SST	2
85	34-00662-08	Washer, Flat, #8, SST	2
86	44-00337-12	Clamp, Tube, Cushioned, 1-1/8, SST	2
87	68-62306-02	Bracket, Support, Suction Tube, Painted	1

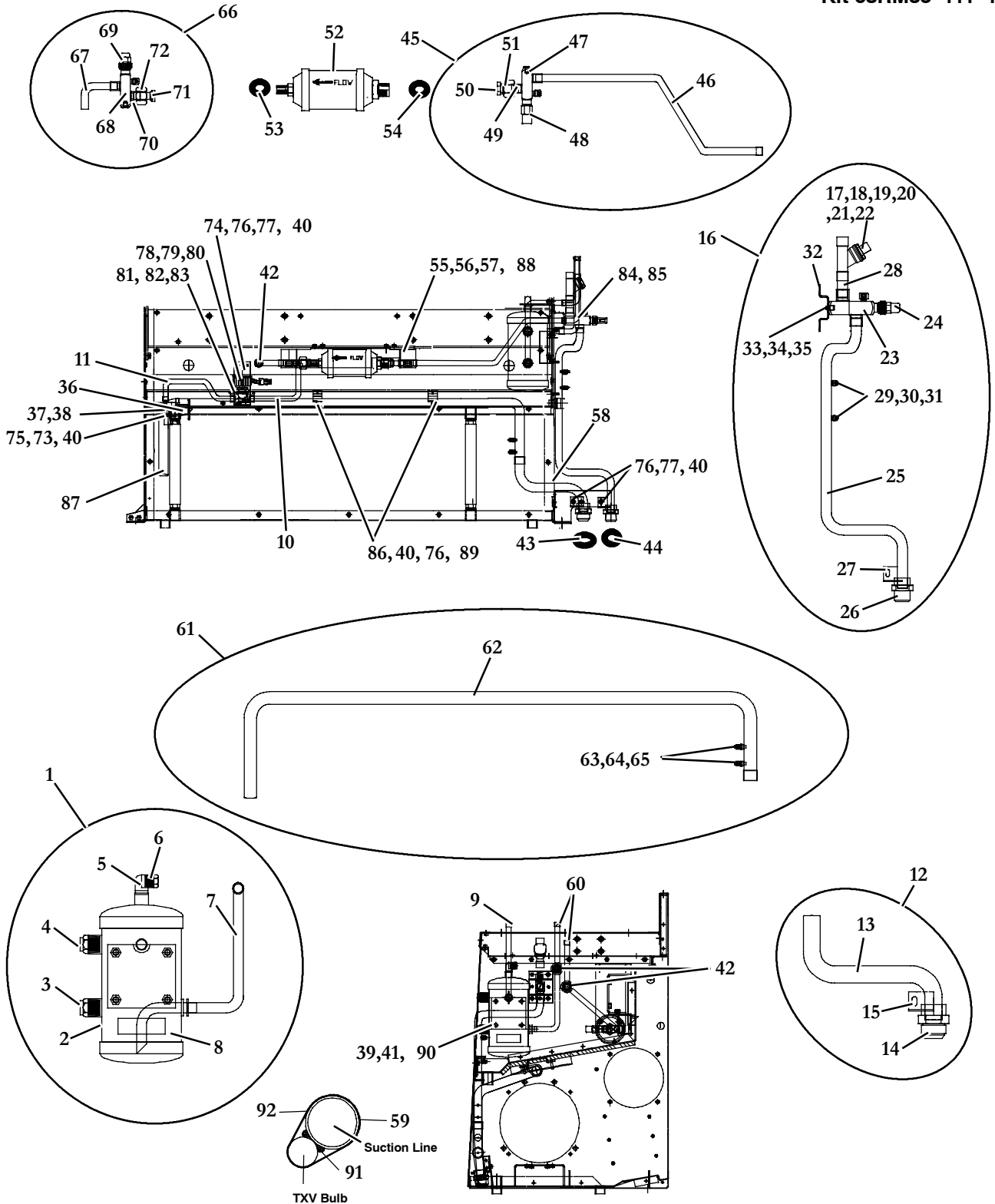


<b>5.1 Refrigerant Piping Kit - Model 68RM35-104-40 (Continued)</b>			
<b>Item</b>	<b>Part Number</b>	<b>Description</b>	<b>Qty</b>
88	40-00201-15	Bushing, Tube, Flush, 1-3/8 ODM x 1-1/8 ODS	1
89	34-00663-12	Washer, Split Lock, 5/16 Inch, SST	2
90	34-00666-11	Nut, Hex Head, 1/4-20, SST	2
91	34-00663-13	Washer, Split Lock, 3/8 Inch, SST	4
92	02-00010-01	Grease, Thermomastic, 6cc Syringe	1
93	42-00032-00	Tape, Insulation, Presstite, 2.00 x 30.00 Feet Long	1



5.2 Refrigerant Piping Kit - Model 68RM35-104-41

Kit 68RM35-111-18





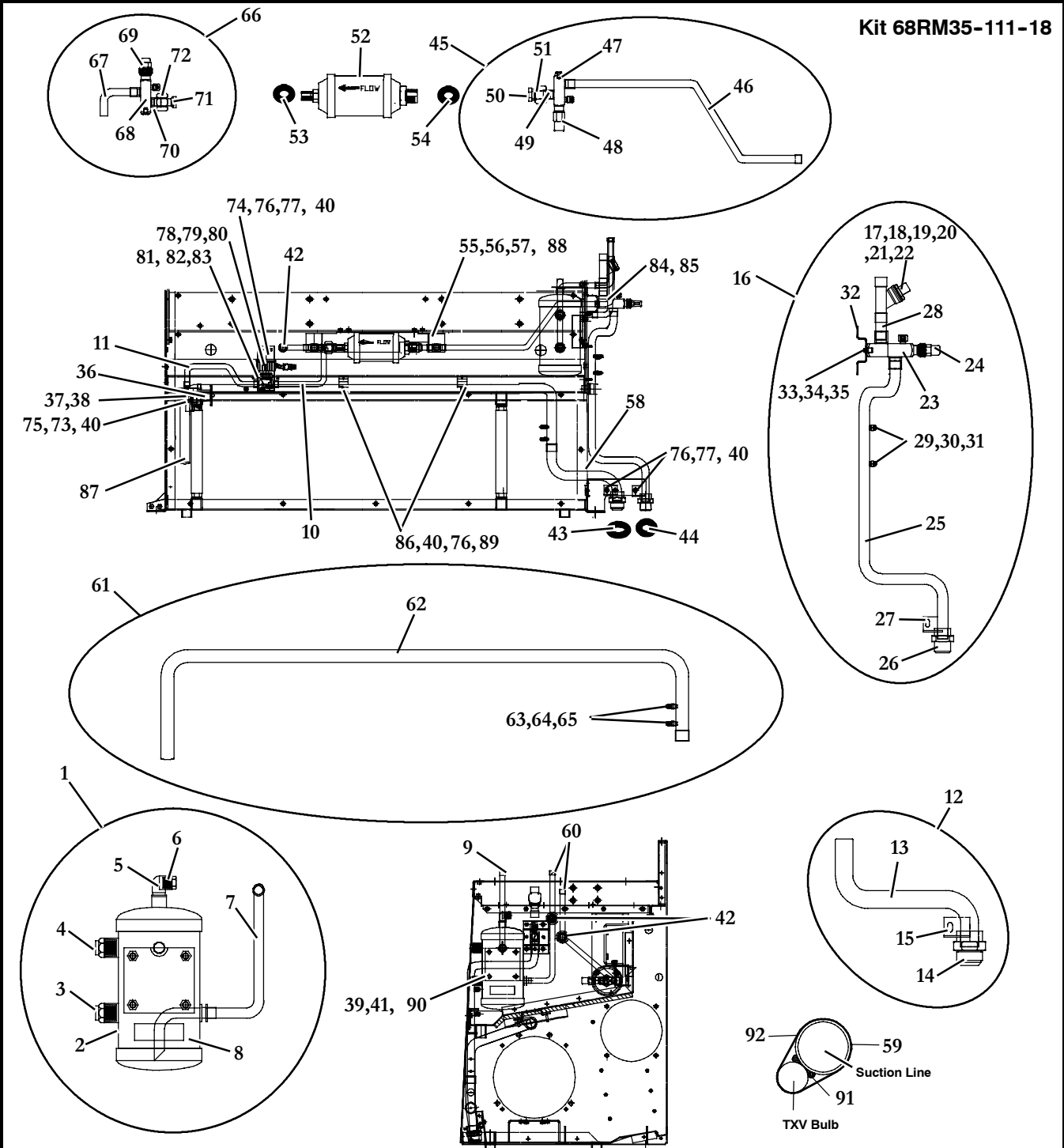
<b>5.2 Refrigerant Piping Kit - Model 68RM35-104-41</b>			
<b>Item</b>	<b>Part Number</b>	<b>Description</b>	<b>Qty</b>
1	81-62012-00	Receiver Tank And Tubing Assembly - Includes:	1
2	AC901-580	Label, Sightglass <b>Wet/Dry</b>	1
3	AC101-203	Sightglass, Indicator, Moisture, 7/8-14	1
4	14-00111-00	Sight Glass, Receiver (Red Ball Float)	1
5	40-00060-03	Elbow, Street, 90 Degree, 3/8 FPT x 3/8 MPT	1
6	14-01032-01	Plug, Fusible, Safety, 3/8 NPTF	1
7	56-62064-00	Tube, Liquid, Bent, 5/8 OD x .040 Wall Copper	1
8	65-01093-00	Receiver Assembly, Plugged, Painted	1
9	56-03839-00	Tube, Liquid, Bent, 5/8 OD x .040 Wall Copper	1
10	56-62089-00	Tube, Liquid, Bent, Solenoid Valve, 5/8 OD x .040 Wall Copper	1
11	56-62088-00	Tube, Liquid, Bent, 5/8 OD x .040 Wall Copper, Solenoid To TXV	1
12	81-62046-00	Tube Assembly, Suction, R-22 - Includes:	1
13	56-62121-00	Tube, Suction, Bent, 1-1/8 OD x .050 Wall, Copper	1
14	DE07DA612	Adapter, 1-1/8 ODS x 1-1/4 Male 37 Degree JIC Flare	1
15	68RM35-1242-1	Bracket, Support	1
16	81-62047-00	Tube Assembly, Discharge, R-22 - Includes:	1
17	14-00281-04	Valve, Check, 7/8 ODF - Includes:	1
18	14-50050-01	Spring And Piston/Seat Assembly - Includes:	1
19	73-50006-00	Spring, Check, Valve, SST	1
20	16-03301-00	Gasket, Check Valve	1
21	14-50093-00	Disk, Spacer, Check Valve Cap	1
22	14-50051-00	Cap, Check Valve	1
23	40-00501-08	Valve, King, Brass, 7/8 ODF	1
24	40-00501-50	Cap, King Valve, Service Part	1
25	56-62122-00	Tube, Discharge, Bent, 7/8 OD x .045 Wall Copper	1
26	DE07DA608	Adapter, 7/8 ODS x 1.00 Male 37 Degree JIC Flare	1
27	68RM35-1242	Bracket, Support	1
28	<b>99TS1445CK002100</b>	Tube, Discharge, Straight, 7/8 OD x .045 Wall x 2.12 Inches Long, Copper	1
29	40-01124-00	Body, Valve, Schrader, Brass 1/4 SAE Flare - Includes:	2
30	14-00351-00	Core, Access Valve (Nickel Plated)	1
31	DD19CA061	Cap, Seal, Flare, 1/4 Inch	1
32	68RM55-124P	Bracket Assembly, Valve Mounting, Painted	1
33	34-00855-04	Screw, Cap Hex Head, 3/8 -24 x 1/2 Inch Long, SST	1
34	34-00663-13	Washer, Split Lock, 3/8 Inch, SST	1
35	34-00662-13	Washer, Flat, 3/8 Inch, SST	1
36	56-62207-00	Tube Assembly, Equalizer, 1/4 OD x .028 Wall Copper	1
37	66U1-1214-5	Body, Flange, Thermal Expansion Valve, 5/8 ODF Inlet x 7/8 ODF Outlet	1
38	14-01104-52	Valve, Thermal Expansion, Less Flange, 5 Tons, R-22	1
39	34-00807-08	Screw, Cap Hex Head, 3/8 -16 x 1.00 Inch Long, SST	4
40	34-00662-11	Washer, Flat, 1/4 Inch, SST	18
41	34-00662-13	Washer, Flat, 3/8 Inch, SST	4
42	58-00065-85	Grommet, 0.88 ID x 1.12 Hole, 0.090 Inch Groove	3
43	KK71JV013	O-Ring, 1-5/16 x 1-1/2 X 3/32 Inch	1
44	KK71JV010	O-Ring, 7/8 x 1 X 5/64 Inch	1





5.2 Refrigerant Piping Kit - Model 68RM35-104-41 (Continued)

Kit 68RM35-111-18



5.2 Refrigerant Piping Kit - Model 68RM35-104-41 (Continued)

Item	Part Number	Description	Qty
45	81-62028-00	Valve And Liquid Tubing Assembly - Includes:	1
46	56-62087-00	Tube, Liquid, Bent, 5/8 OD x .040W Copper	1
47	40-00501-06	Valve, King, Brass, 5/8 ODF, R-22	1
48	40-00501-50	Cap, King Valve, Service Part	1

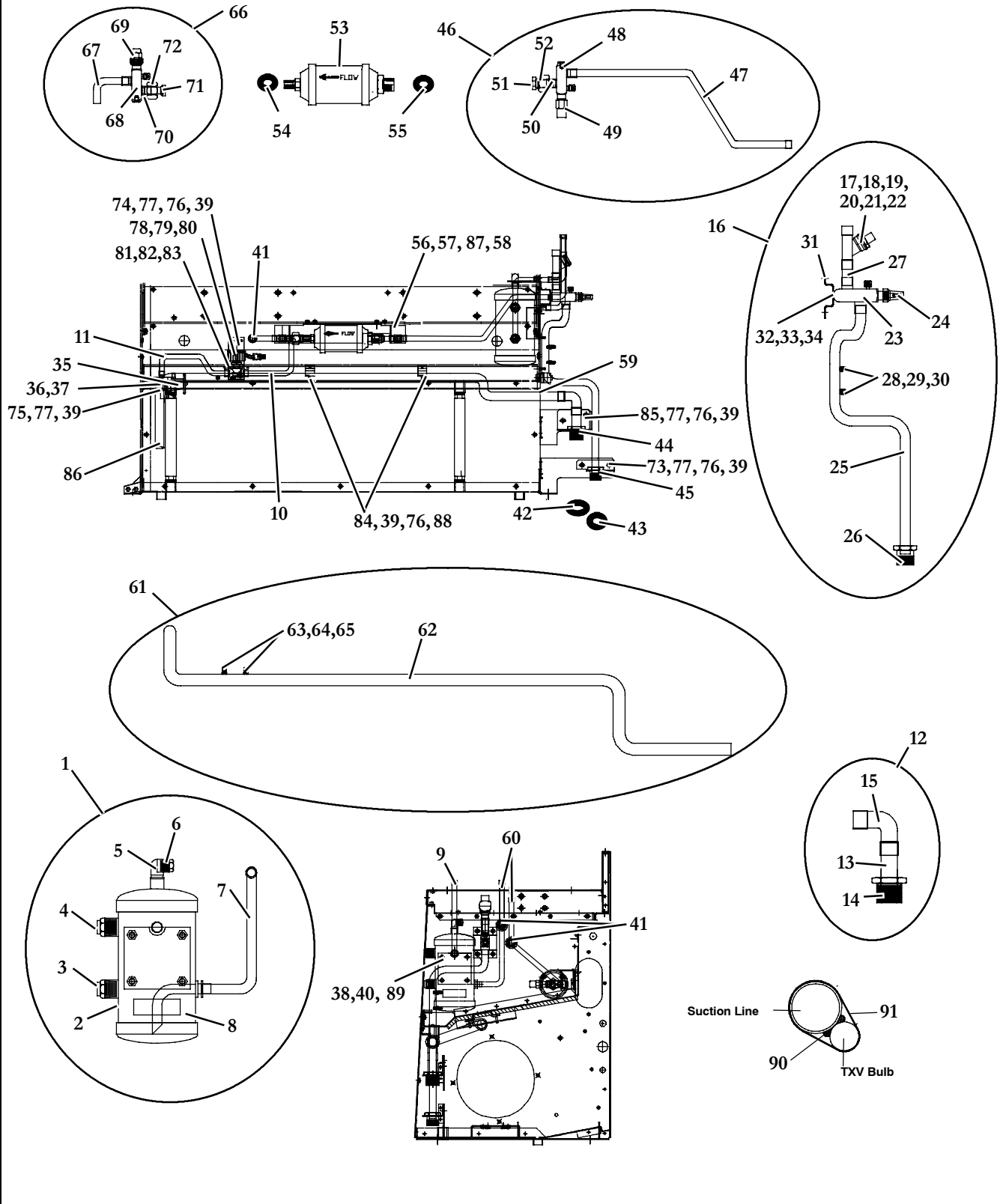


<b>5.2 Refrigerant Piping Kit - Model 68RM35-104-41 (Continued)</b>			
<b>Item</b>	<b>Part Number</b>	<b>Description</b>	<b>Qty</b>
49	56-00143-75	Tube, Straight, 5/8 OD x .040W Copper x 1.62 Inches Long	1
50	40-00503-04	Collar, Tube - 5/8 ORS, Nickel Plated Steel	1
51	34-06121-04	Nut, Hex, ORS Braze (1-3/16-12 Threads)	1
52	14-00320-00	Drier, Filter 3/4 ORS x 5/8 ORS - Includes:	1
53	42-00243-03	O-Ring, .614 ID x .070 Thick	1
54	42-00243-11	O-Ring, .739 ID x .070 Thick	1
55	68-62266-00	Bracket, Valve, Painted	1
56	34-00799-04	Screw, Cap Hex Head, 5/16-24 x 1/2 Inch Long, SST	2
57	34-00662-12	Washer, Flat, 5/16 Inch, SST	2
58	58-00065-86	Grommet, 1.12 ID x 1.38 Hole, 0.125 Inch Groove	1
59	44-00045-03	Clamp, Hose, Worm Type (7/8 - 1-3/4)	2
60	56-62065-00	Tube, Liquid, Bent, 5/8 OD x .040 Wall Copper	2
61	81-62032-00	Tube Assembly, Suction - Includes:	1
62	56-62101-00	Tube, Suction, Bent, 1-1/8 OD x .050W Copper	1
63	40-01124-00	Body, Valve, Schrader, Brass 1/4 SAE Flare - Includes:	2
64	14-00351-00	Core, Access Valve (Nickel Plated)	1
65	DD19CA061	Cap, Seal, Flare, 1/4 Inch	1
66	81-62029-00	Tube Assembly, Liquid - Includes:	1
67	56-03843-04	Tube, Liquid, Bent, 5/8 OD x .040W Copper	1
68	40-00501-06	Valve, King, Brass, 5/8 ODF, R-22	1
69	40-00501-50	Cap, King Valve, Service Part	1
70	56-00143-75	Tube, Straight, 5/8 OD x .040W Copper x 1.62 Inches Long	1
71	40-00503-03	Collar, Tube - 5/8 ORS, Brass	1
72	34-06121-03	Nut, Hex, ORS Braze (1-14 Threads)	1
73	34-00667-11	Nut, Hex, Self-Locking, 1/4-20, SST	2
74	68-62158-00	Bracket, Support, Solenoid Valve, Painted	1
75	68-62114-02	Bracket, Support, TXV, Painted	1
76	34-00663-11	Washer, Split Lock, 1/4 Inch, SST	14
77	34-00655-06	Screw, Cap Hex Head, 1/4-20 x 3/4 Inch Long, SST	14
78	14-00236-00	Valve, Solenoid, 5/8 ODF x 7/8 ODM - Includes:	1
79	14-00236-50	Coil, Solenoid Valve, 24 VDC	1
80	14-00236-51	Repair Kit, Solenoid Valve	1
81	34-00663-08	Washer, Split Lock, #8, SST	2
82	34-06264-03	Screw, Hex Head, Slotted With Washer, #8-32 x 0.38 Inch Long, SST	2
83	34-00662-08	Washer, Flat, #8, SST	2
84	34-00662-18	Washer, Flat, 3/4 Inch, SST	1
85	AC701-301	Tyrap, 15 Inch, White	1
86	44-00337-12	Clamp, Tube, Cushioned, 1-1/8, SST	2
87	40-00201-15	Bushing, Tube, Flush, 1-3/8 ODM x 1-1/8 ODS	1
88	34-00663-12	Washer, Split Lock, 5/16 Inch, SST	2
89	34-00666-11	Nut, Hex Head, 1/4-20, SST	2
90	34-00663-13	Washer, Split Lock, 3/8 Inch, SST	4
91	02-00010-01	Grease, Thermomastic, 6cc Syringe	1
92	42-00032-00	Tape, Insulation, Presstite, 2.00 x 30.00 Feet Long	1



5.3 Refrigerant Piping Kit - Models 68RM35-104-42, -43, -45

Kit 68RM35-111-22

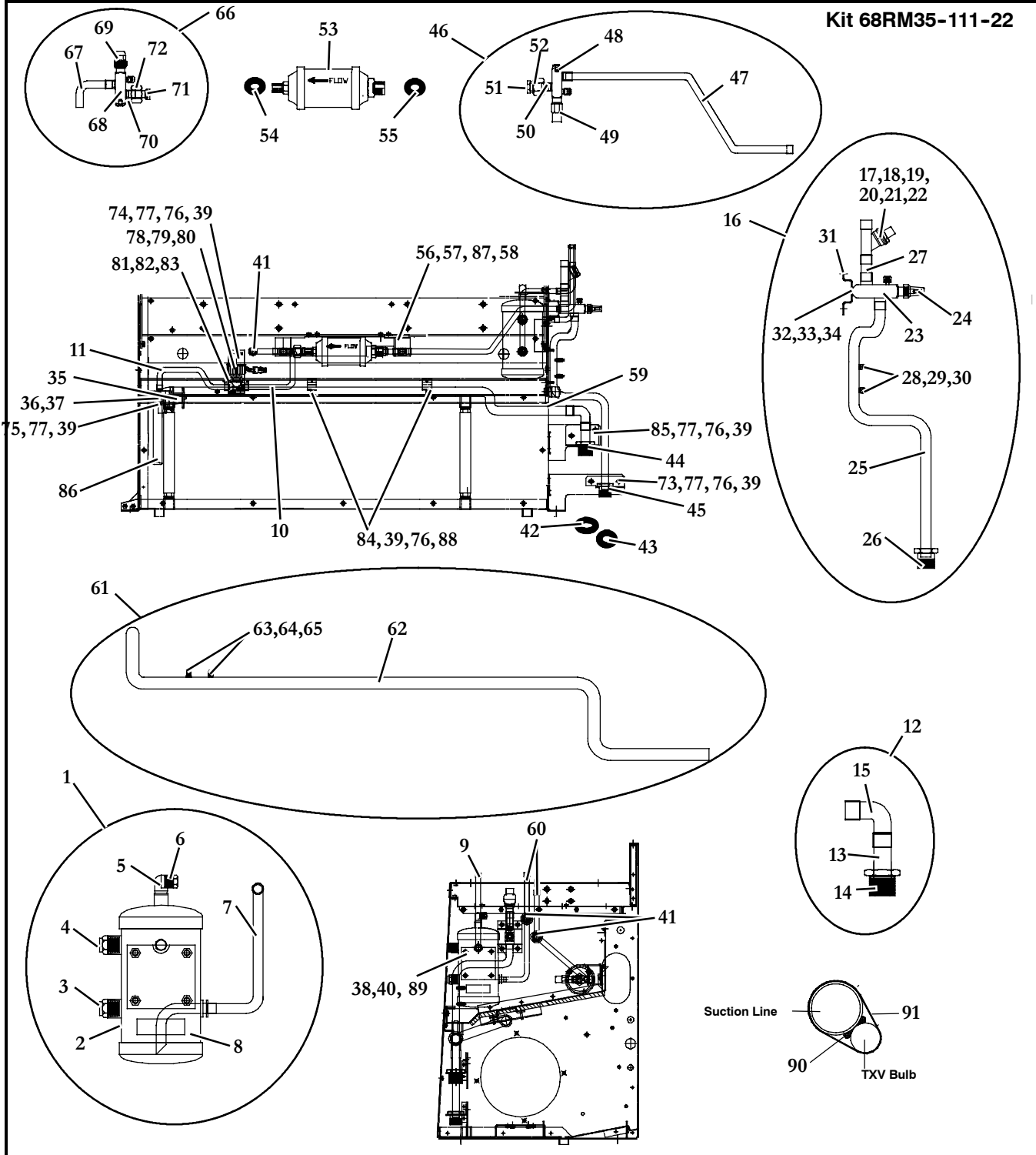




<b>5.3 Refrigerant Piping Kit - Models 68RM35-104-42, -43, -45</b>			
<b>Item</b>	<b>Part Number</b>	<b>Description</b>	<b>Qty</b>
1	81-62012-00	Receiver Tank And Tubing Assembly - Includes:	1
2	AC901-580	Label, Sightglass Wet/Dry	1
3	AC101-203	Sightglass, Indicator, Moisture, 7/8-14	1
4	14-00111-00	Sight Glass, Receiver (Red Ball Float)	1
5	40-00060-03	Elbow, Street, 90 Degree, 3/8 FPT x 3/8 MPT	1
6	14-01032-01	Plug, Fusible, Safety, 3/8 NPTF	1
7	56-62064-00	Tube, Liquid, Bent, 5/8 OD x .040 Wall Copper	1
8	65-01093-00	Receiver Assembly, Plugged, Painted	1
9	56-03839-00	Tube, Liquid, Bent, 5/8 OD x .040 Wall Copper	1
10	56-62089-00	Tube, Liquid, Bent, Solenoid Valve, 5/8 OD x .040 Wall Copper	1
11	56-62141-00	Tube, Liquid, Bent, 5/8 OD x .040 Wall Copper, Solenoid To TXV	1
12	81-62023-00	Tube Assembly, Suction, R-22 - Includes:	1
13	56-62146-21	Tube, Suction, Straight, 1-1/8 OD x .050 Wall x 3.25 Inches Long, Copper	1
14	40-00491-01	Fitting, ORS, 7/8 ODF x 1-7/16-12	1
15	40-00071-46	Elbow, 90 Degree, Long Radius, Copper, 1-1/8 ODS	1
16	81-62030-00	Tube Assembly, Discharge, R-22 - Includes:	1
17	14-00281-04	Valve, Check, 7/8 ODF - Includes:	1
18	14-50050-01	Spring And Piston/Seat Assembly - Includes:	1
19	73-50006-00	Spring, Check, Valve, SST	1
20	16-03301-00	Gasket, Check Valve	1
21	14-50093-00	Disk, Spacer, Check Valve Cap	1
22	14-50051-00	Cap, Check Valve	1
23	40-00501-08	Valve, King, Brass, 7/8 ODF	1
24	40-00501-50	Cap, King Valve, Service Part	1
25	56-62055-00	Tube, Discharge, Bent, 7/8 OD x .045 Wall Copper	1
26	40-00491-00	Fitting, ORS, 7/8 x 1 7/16-12	1
27	<b>99TS1445CK002100</b>	Tube, Discharge, Straight, 7/8 OD x .045 Wall x 2.12 Inches Long, Copper	1
28	40-01124-00	Body, Valve, Schrader, Brass 1/4 SAE Flare - Includes:	2
29	14-00351-00	Core, Access Valve (Nickel Plated)	1
30	DD19CA061	Cap, Seal, Flare, 1/4 Inch	1
31	68RM55-124P	Bracket Assembly, Valve Mounting, Painted	1
32	34-00855-04	Screw, Cap Hex Head, 3/8 -24 x 1/2 Inch Long, SST	1
33	34-00663-13	Washer, Split Lock, 3/8 Inch, SST	1
34	34-00662-13	Washer, Flat, 3/8 Inch, SST	1
35	56-62207-00	Tube Assembly, Equalizer, 1/4 OD x .028 Wall Copper	1
36	66U1-1214-5	Body, Flange, Thermal Expansion Valve, 5/8 ODF Inlet x 7/8 ODF Outlet	1
37	66U1-1224-51	Valve, Thermal Expansion, Less Flange, 5 Tons, R-22	1
38	34-00807-08	Screw, Cap Hex Head, 3/8 -16 x 1.00 Inch Long, SST	4
39	34-00662-11	Washer, Flat, 1/4 Inch, SST	16
40	34-00662-13	Washer, Flat, 3/8 Inch, SST	4
41	58-00065-85	Grommet, 0.88 ID x 1.12 Hole, 0.090 Inch Groove	3
42	42-00243-01	O-Ring, 1.19 ID x 0.139 Thick	1
43	42-00243-00	O-Ring, 0.921 ID x 0.139 Thick	1



5.3 Refrigerant Piping Kit - Models 68RM35-104-42, -43, -45 (Continued)



Item	Part Number	Description	Qty
44	34-06088-01	Nut, Hex Head, ORS 1.125 x 1.69 -12, Plated Steel	1
45	34-06088-00	Nut, Hex Head, ORS 0.88 x 1.43 -12, Plated Steel	1
46	81-62083-00	Valve And Liquid Tubing Assembly - Includes:	1
47	56-62173-00	Tube, Liquid, Bent, 5/8 OD x .040W Copper	1



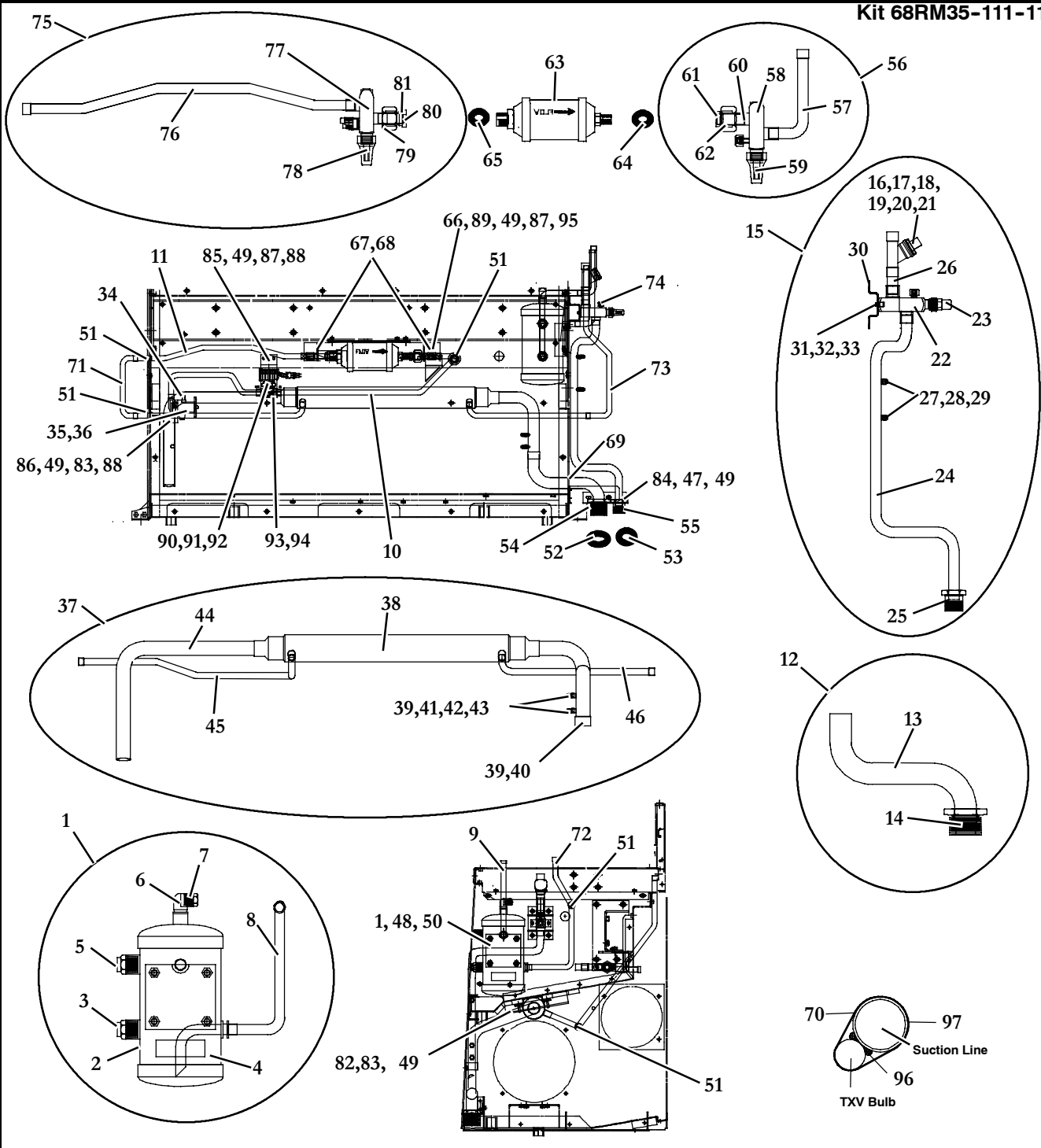
<b>5.3 Refrigerant Piping Kit - Models 68RM35-104-42, -43, -45 (Continued)</b>			
<b>Item</b>	<b>Part Number</b>	<b>Description</b>	<b>Qty</b>
48	40-00501-06	Valve, King, Brass, 5/8 ODF, R-22	1
49	40-00501-50	Cap, King Valve, Service Part	1
50	56-00143-75	Tube, Straight, 5/8 OD x .040W Copper x 1.62 Inches Long	1
51	40-00503-04	Collar, Tube - 5/8 ORS, Nickel Plated Steel	1
52	34-06121-04	Nut, Hex, ORS Braze (1-3/16-12 Threads)	1
53	14-00320-00	Drier, Filter 3/4 ORS x 5/8 ORS - Includes:	1
54	42-00243-03	O-Ring, .614 ID x .070 Thick	1
55	42-00243-11	O-Ring, .739 ID x .070 Thick	1
56	68-62649-00	Bracket, Valve, Painted	1
57	34-00799-04	Screw, Cap Hex Head, 5/16-24 x 1/2 Inch Long, SST	2
58	34-00662-12	Washer, Flat, 5/16 Inch, SST	2
59	58-00065-86	Grommet, 1.12 ID x 1.38 Hole, 0.125 Inch Groove	1
60	56-62065-00	Tube, Liquid, Bent, 5/8 OD x .040 Wall Copper	2
61	81-62024-00	Tube Assembly, Suction - Includes:	1
62	56-62083-00	Tube, Liquid, Bent, 1-1/8 OD x .050W Copper	1
63	40-01124-00	Body, Valve, Schrader, Brass 1/4 SAE Flare - Includes:	2
64	14-00351-00	Core, Access Valve (Nickel Plated)	1
65	DD19CA061	Cap, Seal, Flare, 1/4 Inch	1
66	81-62082-00	Tube Assembly, Liquid - Includes:	1
67	56-03843-06	Tube, Liquid, Bent, 5/8 OD x .040W Copper	1
68	40-00501-06	Valve, King, Brass, 5/8 ODF, R-22	1
69	40-00501-50	Cap, King Valve, Service Part	1
70	56-00143-74	Tube, Straight, 5/8 OD x .040W Copper x 1.84 Inches Long	1
71	40-00503-03	Collar, Tube - 5/8 ORS, Brass	1
72	34-06121-03	Nut, Hex, ORS Braze (1-14 Threads)	1
73	68-62307-00	Bracket, Support, Discharge Tube, Painted	1
74	68-62158-00	Bracket, Support, Solenoid Valve, Painted	1
75	68-62638-00	Bracket, Support, TXV, Painted	1
76	34-00663-11	Washer, Split Lock, 1/4 Inch, SST	14
77	34-00655-06	Screw, Cap Hex Head, 1/4-20 x 3/4 Inch Long, SST	14
78	14-00236-00	Valve, Solenoid, 5/8 ODF x 7/8 ODM - Includes:	1
79	14-00236-50	Coil, Solenoid Valve, 24 VDC	1
80	14-00236-51	Repair Kit, Solenoid Valve	1
81	34-00663-08	Washer, Split Lock, #8, SST	2
82	34-06264-03	Screw, Hex Head, Slotted With Washer, #8-32 x 0.38 Inch Long, SST	2
83	34-00662-08	Washer, Flat, #8, SST	2
84	44-00337-12	Clamp, Tube, Cushioned, 1-1/8, SST	2
85	68-62306-02	Bracket, Support, Suction Tube, Painted	1
86	40-00201-15	Bushing, Tube, Flush, 1-3/8 ODM x 1-1/8 ODS	1
87	34-00663-12	Washer, Split Lock, 5/16 Inch, SST	2
88	34-00666-11	Nut, Hex Head, 1/4-20, SST	2
89	34-00663-13	Washer, Split Lock, 3/8 Inch, SST	4
90	02-00010-01	Grease, Thermomastic, 6cc Syringe	1
91	42-00032-00	Tape, Insulation, Pressite, 2.00 x 30.00 Feet Long	1



**6 REFRIGERANT PIPING KIT - R-134a MODELS**

**6.1 Refrigerant Piping Kit - Model 68RM35-604-41**

Kit 68RM35-111-11



Item	Part Number	Description	Qty
1	68RM35-558	Receiver Tank And Tubing Assembly - Includes:	1
2	AC901-580	Label, Sightglass <b>Wet/Dry</b>	1
3	AC101-203	Sightglass, Indicator, Moisture, 7/8-14	1
4	65-01093-00	Receiver Assembly, Plugged, Painted	1





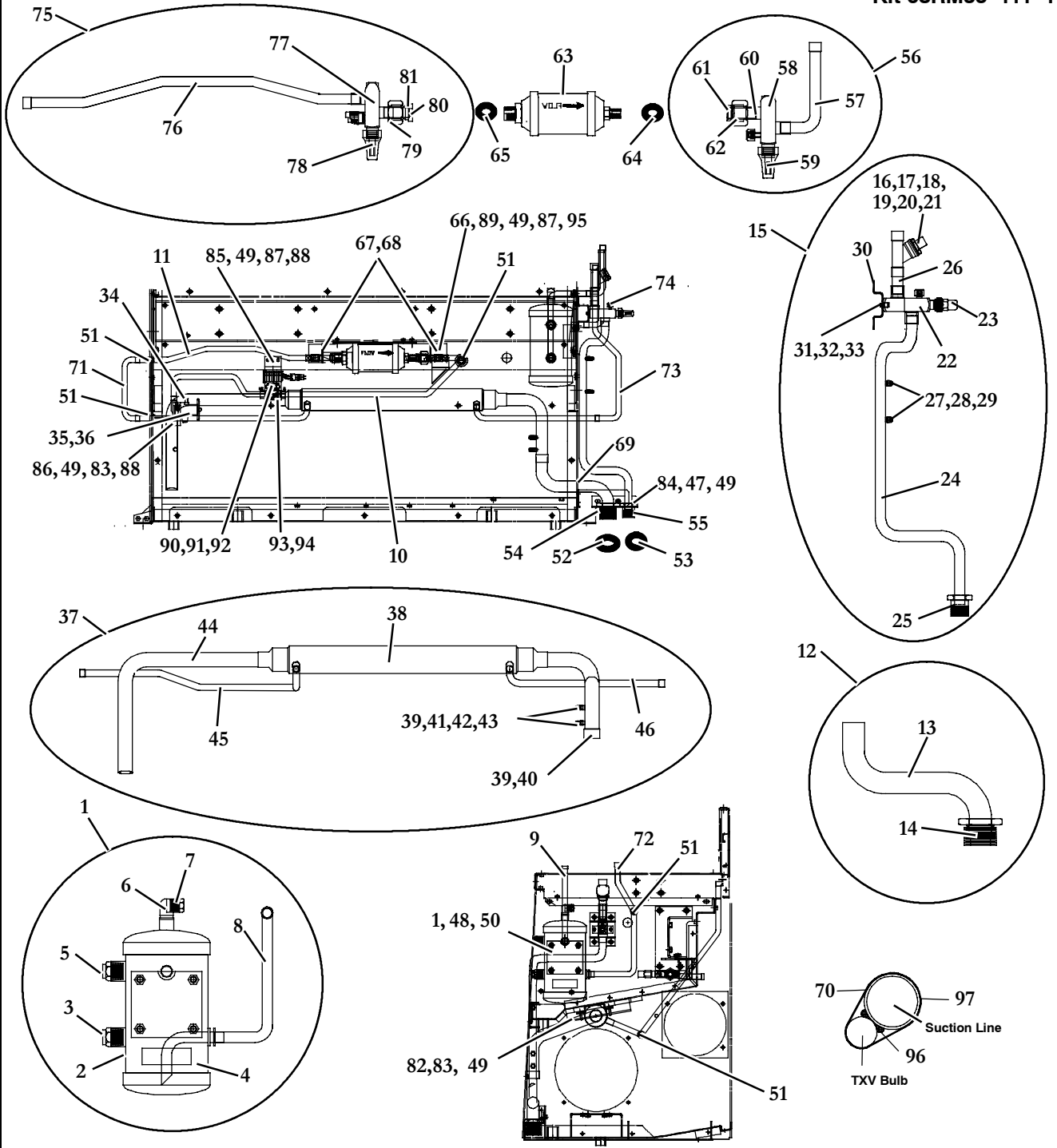
<b>6.1 Refrigerant Piping Kit - Model 68RM35-604-41</b>			
<b>Item</b>	<b>Part Number</b>	<b>Description</b>	<b>Qty</b>
5	14-00111-00	Sight Glass, Receiver (Red Ball Float)	1
6	40-00060-03	Elbow, Street, 90 Degree, 3/8 FPT x 3/8 MPT	1
7	14-01032-01	Plug, Fusible, Safety, 3/8 NPTF	1
8	56-03834-00	Tube, Liquid, Bent, 5/8 OD x .040 Wall Copper	1
9	56-03839-00	Tube, Liquid, Bent, 5/8 OD x .040 Wall Copper	1
10	56-62036-00	Tube, Liquid, Bent, Shut-off Valve To Solenoid, 5/8 OD x .040 Wall Copper	1
11	56-62037-00	Tube, Liquid, Bent, 5/8 OD x .040 Wall Copper, Solenoid To TXV	1
12	68RM35-237	Tube Assembly, Suction, R-134a - Includes:	1
13	56-03844-00	Tube, Suction, Bent, 1-3/8 OD x .055 Wall Copper	1
14	40-00491-04	Fitting, ORS, 1-3/8 ODF x 2.00 -12	1
15	68RM35-828	Tube Assembly, Discharge, R-134a - Includes:	1
16	14-00281-04	Valve, Check, 7/8 ODF - Includes:	1
17	14-50050-01	Spring And Piston/Seat Assembly - Includes:	1
18	73-50006-00	Spring, Check, Valve, SST	1
19	16-03301-00	Gasket, Check Valve	1
20	14-50093-00	Disk, Spacer, Check Valve Cap	1
21	14-50051-00	Cap, Check Valve	1
22	40-00501-07	Valve, King, Brass, 7/8 ODF	1
23	40-00501-50	Cap, King Valve, Service Part	1
24	56-03833-00	Tube, Discharge, Bent, 7/8 OD x .045 Wall Copper	1
25	40-00491-00	Fitting, ORS, 7/8 x 1 7/16-12	1
26	<b>99TS1445CK002100</b>	Tube, Discharge, Straight, 7/8 OD x .045 Wall x 2.12 Inches Long, Copper	1
27	40-01124-00	Body, Valve, Schrader, Brass 1/4 SAE Flare - Includes:	2
28	14-00351-00	Core, Access Valve (Nickel Plated)	1
29	DD19CA061	Cap, Seal, Flare, 1/4 Inch	1
30	68RM55-124P	Bracket Assembly, Valve Mounting, Painted	1
31	34-00855-04	Screw, Cap Hex Head, 3/8 -24 x 1/2 Inch Long, SST	1
32	34-00663-13	Washer, Split Lock, 3/8 Inch, SST	1
33	34-00662-13	Washer, Flat, 3/8 Inch, SST	1
34	56-62207-00	Tube Assembly, Equalizer, 1/4 OD x .028 Wall Copper	1
35	66U1-1214-5	Body, Flange, Thermal Expansion Valve, 5/8 ODF Inlet x 7/8 ODF Outlet	1
36	14-01104-35	Valve, Thermal Expansion, Less Flange, 5.5 Tons, R134A	1
37	68RM35-548	Heat Exchanger And Tubing Assembly, Liquid/Suction - Includes:	1
38	AC101-900	Heat Exchanger, Liquid/Suction	1
39	68RM35-728	Tube Assembly, Suction Heat Exchanger - Includes:	1
40	56-03832-00	Tube, Suction, Bent, 1-3/8 OD x .055W Copper	1
41	40-01124-00	Body, Valve, Schrader, Brass 1/4 SAE Flare - Includes:	2
42	14-00351-00	Core, Access Valve (Nickel Plated)	1
43	DD19CA061	Cap, Seal, Flare, 1/4 Inch	1
44	56-03840-00	Tube, Suction, Bent, 1-3/8 OD x .055W Copper	1
45	56-03842-00	Tube, Liquid, Bent, 5/8 OD x .040 Wall Copper	1
46	56-03838-00	Tube, Liquid, Bent, 5/8 OD x .040 Wall Copper	1
47	34-00655-08	Screw, Cap Hex Head, 1/4-20 x 1.00 Inch Long, SST	7
48	34-00807-08	Screw, Cap Hex Head, 3/8 -16 x 1.00 Inch Long, SST	4





6.1 Refrigerant Piping Kit - Model 68RM35-604-41 (Continued)

Kit 68RM35-111-11



Item	Part Number	Description	Qty
49	34-00662-11	Washer, Flat, 1/4 Inch, SST	17
50	34-00662-13	Washer, Flat, 3/8 Inch, SST	4
51	58-00065-85	Grommet, 1.12 ID x 1.44 Hole, 0.156 Inch Groove	5
52	42-00243-02	O-Ring, 1.484 ID x 0.139 Thick	1
53	42-00243-00	O-Ring, 0.921 ID x 0.139 Thick	1

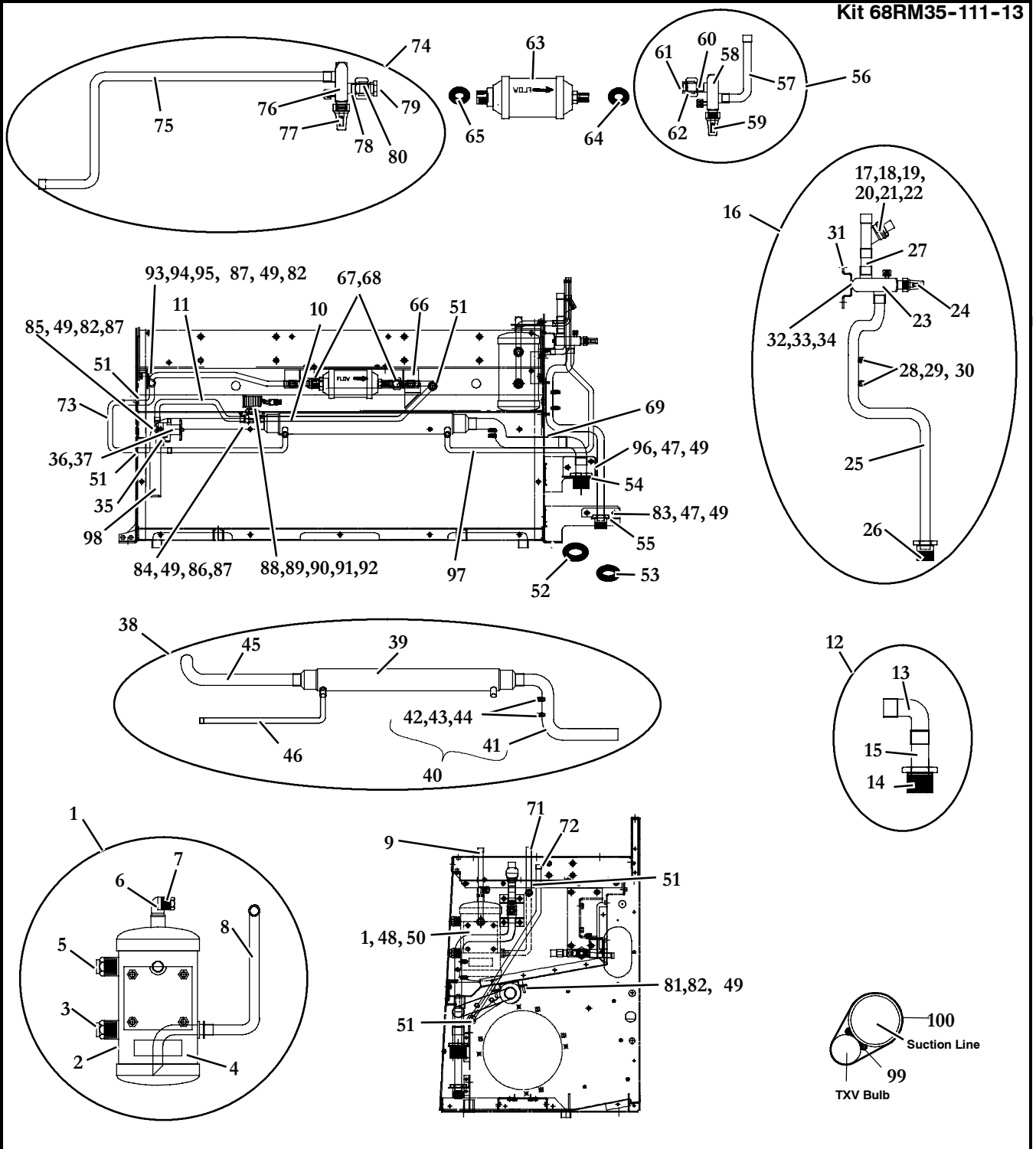


<b>6.1 Refrigerant Piping Kit - Model 68RM35-604-41 (Continued)</b>			
<b>Item</b>	<b>Part Number</b>	<b>Description</b>	<b>Qty</b>
54	34-06088-02	Nut, Hex Head, ORS 1.50 x 2.00-12, Plated Steel	1
55	34-06088-00	Nut, Hex Head, ORS 0.88 x 1.43 -12, Plated Steel	1
56	68RM35-157	Valve And Liquid Tubing Assembly - Includes:	1
57	68RM35-1237	Tube, Liquid, Bent, 5/8 OD x .040W Copper	1
58	40-00501-05	Valve, King, Brass, 5/8 ODF	1
59	40-00501-50	Cap, King Valve, Service Part	1
60	56-00143-75	Tube, Straight, 5/8 OD x .040W Copper x 1.62 Inches Long	1
61	40-00503-03	Collar, Tube - 10, 5/8 ORS, Brass	1
62	34-06121-03	Nut, Hex, ORS Braze (1.00 -14 Threads)	1
63	14-00320-00	Drier, Filter 3/4 ORS x 5/8 ORS - Includes:	1
64	42-00243-03	O-Ring, .614 ID x .070 Thick	1
65	42-00243-11	O-Ring, .739 ID x .070 Thick	1
66	68RM35-1458P	Bracket, Valve, Painted	1
67	34-00799-04	Screw, Cap Hex Head, 5/16-24 x 1/2 Inch Long, SST	2
68	34-00662-12	Washer, Flat, 5/16 Inch, SST	2
69	58-00065-88	Grommet, 0.88 ID x 1.12 Hole, 0.094 Inch Groove	1
70	44-00045-03	Clamp, Hose, Worm Type (7/8 - 1-3/4)	2
71	68RM35-1157	Tube, Liquid, Bent, 5/8 OD x .040 Wall Copper	1
72	56-03832-00	Tube, Liquid, Bent, 5/8 OD x .040 Wall Copper	1
73	56-62035-00	Tube, Liquid, Bent, 5/8 OD x .040 Wall Copper	1
74	AC302-438	Adapter, R-134A, Hi-Tap, Straight	1
75	68RM35-268	Valve And Liquid Tubing Assembly - Includes:	1
76	68RM35-1137	Tube, Liquid, Bent, 5/8 OD x .040 Wall Copper	1
77	40-00501-05	Valve, King, Brass, 5/8 ODF	1
78	40-00501-50	Cap, King Valve, Service Part	1
79	56-00143-75	Tube, Straight, 5/8 OD x .040W Copper x 1.62 Inches Long	1
80	40-00503-04	Collar, Tube - 5/8 ORS, Nickel Plated Steel	1
81	34-06121-04	Nut, Hex, ORS Braze (1-3/16-12 Threads)	1
82	68RM40-1188	Bracket, Heat Exchanger, SST	2
83	34-00667-61	Nut, Hex, Self-Locking, 1/4-20, SST	6
84	68-62034-00	Bracket, Support, Suction And Discharge Tube, Painted	1
85	68-62158-00	Bracket, Support, Solenoid Valve, Painted	1
86	68-62114-03	Bracket, Support, TXV, Painted	1
87	34-00663-11	Washer, Split Lock, 1/4 Inch, SST	10
88	34-00655-06	Screw, Hex Head, 1/4-20 x 0.75 Inch Long, SST	12
89	66U1-9122	Rivet, Pop, Closed-End, 5/32 Diameter	2
90	14-00236-00	Valve, Solenoid, 5/8 ODF x 7/8 ODM - Includes:	1
91	14-00236-50	Coil, Solenoid Valve, 24 VDC	1
92	14-00236-51	Repair Kit, Solenoid Valve	1
93	34-00663-08	Washer, Split Lock, #8, SST	2
94	34-06264-04	Screw, Hex Head, Slotted With Washer, #8-32 x 1/2 Inch Long, SST	2
95	34-00655-04	Screw, Hex Head, 1/4-20 x 1/2 Inch Long, SST	2
96	02-00010-01	Grease, Thermomastic, 6cc Syringe	1
97	42-00032-00	Tape, Insulation, Presstite, 2.00 x 30.00 Feet Long	1



6.2 Refrigerant Piping Kit - Models 68RM35-604-42, -43, -46, -47

Kit 68RM35-111-13



Item	Part Number	Description	Qty
1	81-62012-00	Receiver Tank And Tubing Assembly - Includes:	1
2	AC901-580	Label, Sightglass Wet/Dry	1
3	AC101-203	Sightglass, Indicator, Moisture, 7/8-14	1
4	65-01093-00	Receiver Assembly, Plugged, Painted	1

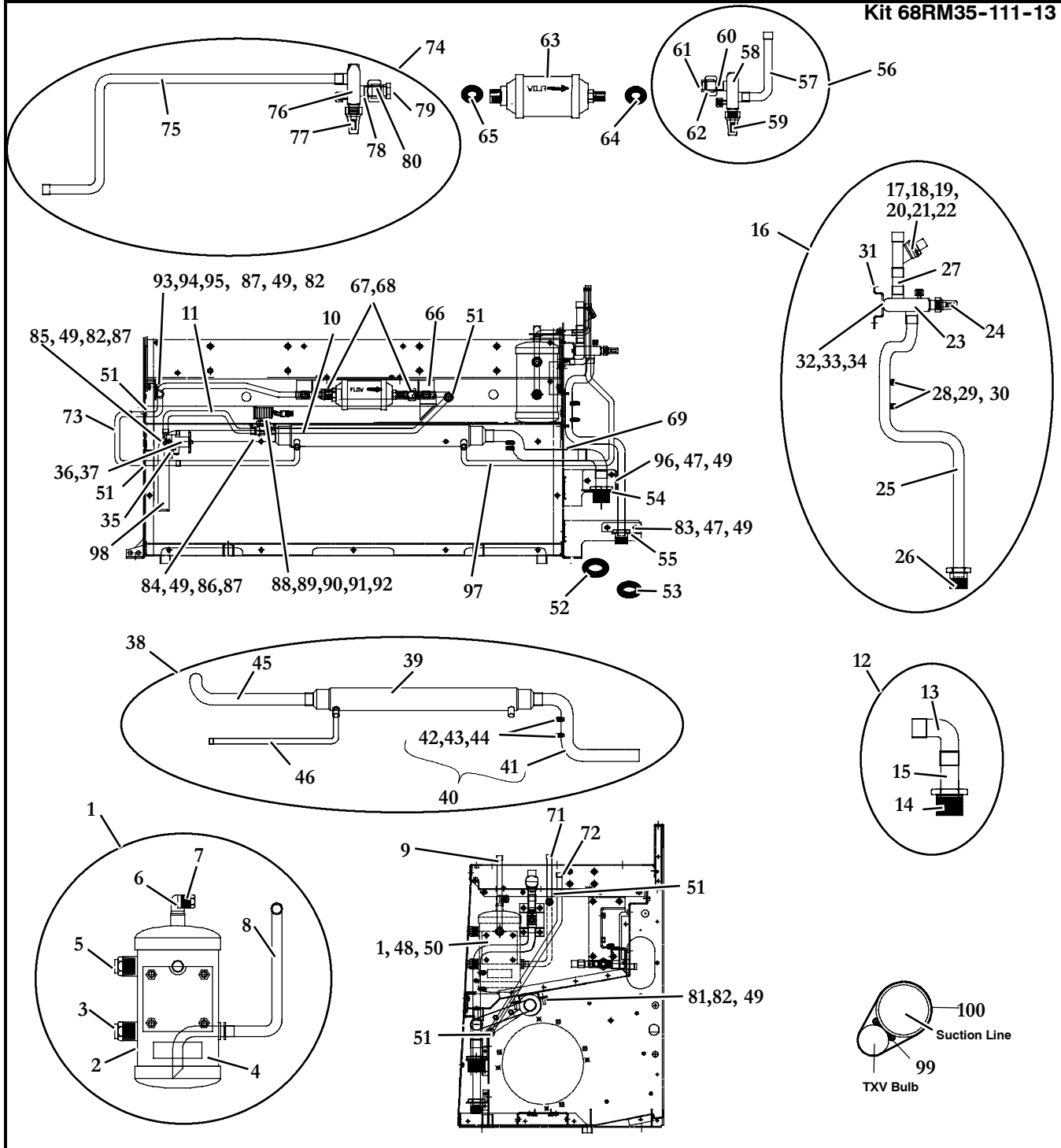


<b>6.2 Refrigerant Piping Kit - Models 68RM35-604-42, -43, -46, -47</b>			
<b>Item</b>	<b>Part Number</b>	<b>Description</b>	<b>Qty</b>
5	14-00111-00	Sight Glass, Receiver (Red Ball Float)	1
6	40-00060-03	Elbow, Street, 90 Degree, 3/8 FPT x 3/8 MPT	1
7	14-01032-01	Plug, Fusible, Safety, 3/8 NPTF	1
8	56-62064-00	Tube, Liquid, Bent, 5/8 OD x .040 Wall Copper	1
9	56-03839-00	Tube, Liquid, Bent, 5/8 OD x .040 Wall Copper	1
10	56-62036-00	Tube, Liquid, Bent, Shut-off Valve To Solenoid, 5/8 OD x .040 Wall Copper	1
11	56-62037-00	Tube, Liquid, Bent, 5/8 OD x .040 Wall Copper, Solenoid To TXV	1
12	81-62011-00	Tube Assembly, Suction, R-134a - Includes:	1
13	40-00071-19	Elbow, 90 Degree, Long Radius, Copper, 1-3/8 ODS	1
14	40-00491-04	Fitting, ORS, 1-3/8 ODF x 2.00	1
15	56-62120-00	Tube, Suction, Straight, 1-3/8 OD x .055 Wall x 2.84 Inches Long, Copper	1
16	81-62010-00	Tube Assembly, Discharge, R-134a - Includes:	1
17	14-00281-04	Valve, Check, 7/8 ODF - Includes:	1
18	14-50050-01	Spring And Piston/Seat Assembly - Includes:	1
19	73-50006-00	Spring, Check, Valve, SST	1
20	16-03301-00	Gasket, Check Valve	1
21	14-50093-00	Disk, Spacer, Check Valve Cap	1
22	14-50051-00	Cap, Check Valve	1
23	40-00501-07	Valve, King, Brass, 7/8 ODF	1
24	40-00501-50	Cap, King Valve, Service Part	1
25	56-62055-00	Tube, Discharge, Bent, 7/8 OD x .045 Wall Copper	1
26	40-00491-00	Fitting, ORS, 7/8 x 1 7/16-12	1
27	<b>99TS1445CK002100</b>	Tube, Discharge, Straight, 7/8 OD x .045 Wall x 2.12 Inches Long, Copper	1
28	40-01124-00	Body, Valve, Schrader, Brass 1/4 SAE Flare - Includes:	2
29	14-00351-00	Core, Access Valve (Nickel Plated)	1
30	DD19CA061	Cap, Seal, Flare, 1/4 Inch	1
31	68RM55-124P	Bracket Assembly, Valve Mounting, Painted	1
32	34-00855-04	Screw, Cap Hex Head, 3/8 -24 x 1/2 Inch Long, SST	1
33	34-00662-13	Washer, Flat, 3/8 Inch, SST	1
34	34-00663-13	Washer, Split Lock, 3/8 Inch, SST	1
35	56-62207-00	Tube Assembly, Equalizer, 1/4 OD x .028 Wall Copper	1
36	66U1-1214-5	Body, Flange, Thermal Expansion Valve, 5/8 ODF Inlet x 7/8 ODF Outlet	1
37	14-01104-35	Valve, Thermal Expansion, Less Flange, 5.5 Tons, R134A	1
38	81-62015-00	Heat Exchanger And Tubing Assembly, Liquid/Suction - Includes:	1
39	AC101-900	Heat Exchanger, Liquid/Suction	1
40	81-62013-00	Tube Assembly, Suction Heat Exchanger - Includes:	1
41	56-62057-00	Tube, Suction, Bent, 1-3/8 OD x .055W Copper	1
42	40-01124-00	Body, Valve, Schrader, Brass 1/4 SAE Flare - Includes:	2
43	14-00351-00	Core, Access Valve (Nickel Plated)	1
44	DD19CA061	Cap, Seal, Flare, 1/4 Inch	1
45	56-62158-00	Tube, Suction, Bent, 1-3/8 OD x .055W Copper	1
46	56-03838-00	Tube, Liquid, Bent, 5/8 OD x .040 Wall Copper	1
47	34-00655-08	Screw, Cap Hex Head, 1/4-20 x 1.00 Inch Long, SST	10



6.2 Refrigerant Piping Kit - Models 68RM35-604-42, -43, -46, -47 (Continued)

Kit 68RM35-111-13



Item	Part Number	Description	Qty
48	34-00807-08	Screw, Cap Hex Head, 3/8 -16 x 1.00 Inch Long, SST	4
49	34-00662-11	Washer, Flat, 1/4 Inch, SST	20
50	34-00662-13	Washer, Flat, 3/8 Inch, SST	4
51	58-00065-85	Grommet, 0.88 ID x 1.12 Hole, 0.090 Inch Groove	5
52	42-00243-02	O-Ring, 1.484 ID x 0.139 Thick	1



<b>6.2 Refrigerant Piping Kit - Models 68RM35-604-42, -43, -46, -47 (Continued)</b>			
<b>Item</b>	<b>Part Number</b>	<b>Description</b>	<b>Qty</b>
53	42-00243-00	O-Ring, 0.921 ID x 0.139 Thick	1
54	34-06088-02	Nut, Hex Head, ORS 1.50 x 2.00-12, Plated Steel	1
55	34-06088-00	Nut, Hex Head, ORS 0.88 x 1.43 -12, Plated Steel	1
56	68RM35-157	Valve And Liquid Tubing Assembly - Includes:	1
57	68RM35-1237	Tube, Liquid, Bent, 5/8 OD x .040W Copper	1
58	40-00501-05	Valve, King, Brass, 5/8 ODF	1
59	40-00501-50	Cap, King Valve, Service Part	1
60	56-00143-75	Tube, Straight, 5/8 OD x .040W Copper x 1.62 Inches Long	1
61	40-00503-03	Collar, Tube - 10, 5/8 ORS, Brass	1
62	34-06121-03	Nut, Hex, ORS Braze (1.00 -14 Threads)	1
63	14-00320-00	Drier, Filter 3/4 ORS x 5/8 ORS - Includes:	1
64	42-00243-03	O-Ring, .614 ID x .070 Thick	1
65	42-00243-11	O-Ring, .739 ID x .070 Thick	1
66	68RM35-1458P	Bracket, Valve, Painted	1
67	34-00799-04	Screw, Cap Hex Head, 5/16-24 x 1/2 Inch Long, SST	2
68	34-00662-12	Washer, Flat, 5/16 Inch, SST	2
69	58-00065-88	Grommet, 0.88 ID x 1.12 Hole, 0.094 Inch Groove	1
70	44-00045-03	Clamp, Hose, Worm Type (7/8 - 1-3/4)	2
71	56-62065-00	Tube, Liquid, Bent, 5/8 OD x .040 Wall Copper	1
72	56-62060-00	Tube, Liquid, Bent, 5/8 OD x .040 Wall Copper	1
73	56-62061-00	Tube, Liquid, Bent, 5/8 OD x .040 Wall Copper	1
74	81-62014-00	Valve And Liquid Tubing Assembly - Includes:	1
75	56-62058-00	Tube, Liquid, Bent, 5/8 OD x .040 Wall Copper	1
76	40-00501-05	Valve, King, Brass, 5/8 ODF	1
77	40-00501-50	Cap, King Valve, Service Part	1
78	56-00143-75	Tube, Straight, 5/8 OD x .040W Copper x 1.62 Inches Long	1
79	40-00503-04	Collar, Tube - 5/8 ORS, Nickel Plated Steel	1
80	34-06121-04	Nut, Hex, ORS Braze (1-3/16-12 Threads)	1
81	68RM40-1188	Bracket, Heat Exchanger, SST	2
82	34-00667-61	Nut, Hex, Self-Locking, 1/4-20, SST	7
83	68-62307-00	Bracket, Support, Discharge Tube, Painted	1
84	68-62158-00	Bracket, Support, Solenoid Valve, Painted	1
85	68-62114-03	Bracket, Support, TXV, Painted	1
86	34-00663-11	Washer, Split Lock, 1/4 Inch, SST	3
87	34-00655-06	Screw, Cap Hex Head, 1/4-20 x 3/4 Inch Long, SST	4
88	14-00236-00	Valve, Solenoid, 5/8 ODF x 7/8 ODM - Includes:	1
89	14-00236-50	Coil, Solenoid Valve, 24 VDC	1
90	14-00236-51	Repair Kit, Solenoid Valve	1
91	34-00663-08	Washer, Split Lock, #8, SST	2
92	34-06264-04	Screw, Hex Head, Slotted With Washer, #8-32 x 1/2 Inch Long, SST	2
93	68-62217-00	Bracket, Support, Tube, Painted	1
94	AC701-413	Rivet, 3/16 Inch	2
95	AC701-201	Clamp, Tube, Insulated, 5/8 Inch, SST	1
96	68-62306-00	Bracket, Support, Suction Tube, Painted	1

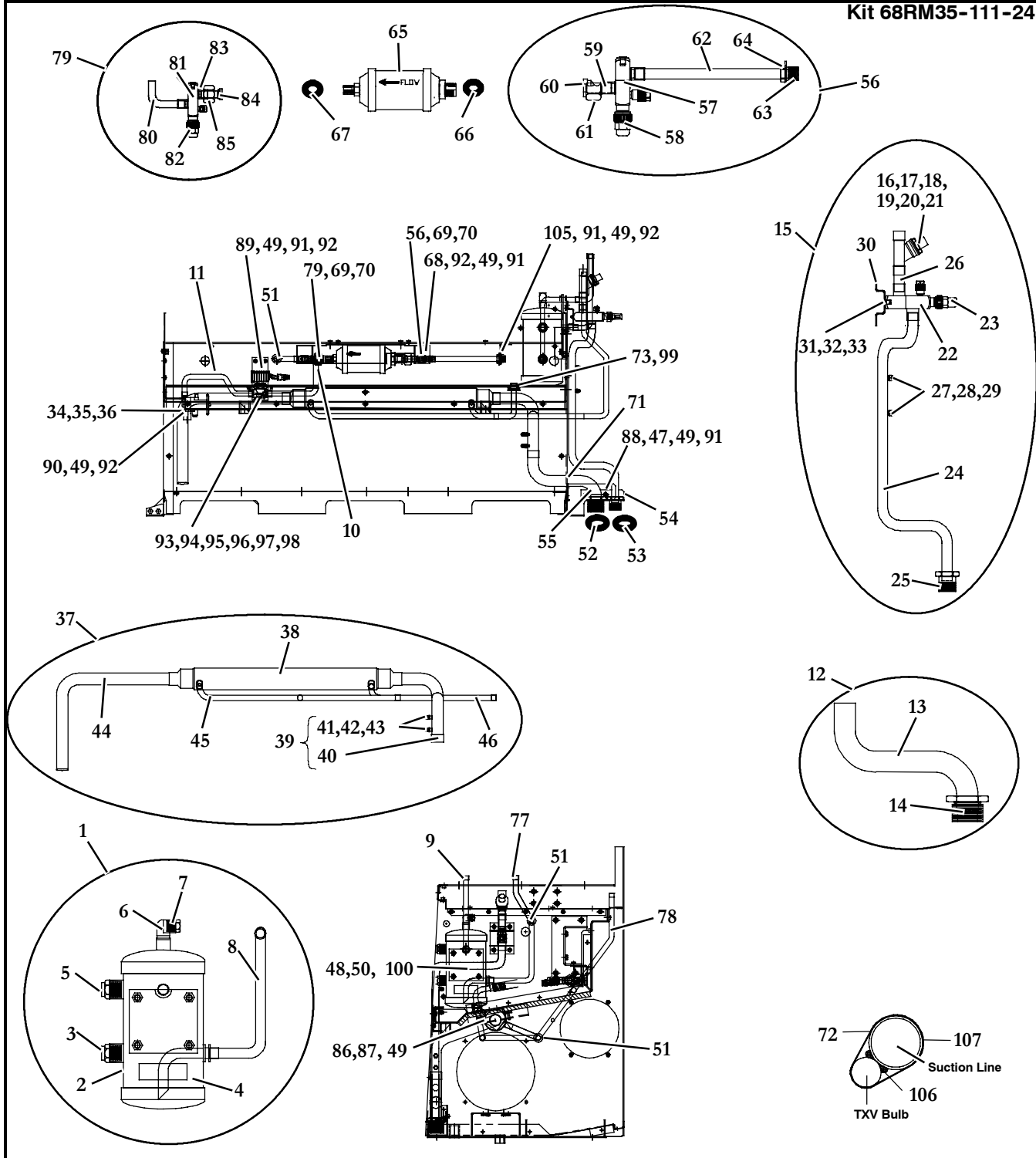


<b>6.2 Refrigerant Piping Kit - Models 68RM35-604-42, -43, -46, -47 (Continued)</b>			
<b>Item</b>	<b>Part Number</b>	<b>Description</b>	<b>Qty</b>
97	56-03838-00	Tube, Liquid, Bent, 5/8 OD x .040 Wall Copper	1
98	56-62157-00	Tube, Suction, Bent, 1-3/8 OD x .055W Copper	1
99	02-00010-01	Grease, Thermomastic, 6cc Syringe	1
100	42-00032-00	Tape, Insulation, Presstite, 2.00 x 30.00 Feet Long	1



**6.3 Refrigerant Piping Kits - Models 68RM35-604-44, -65, -81**

**Kit 68RM35-111-24**



Item	Part Number	Description	Qty
1	68RM35-558	Receiver Tank And Tubing Assembly - Includes:	1
2	AC901-580	Label, Sightglass Wet/Dry	1
3	AC101-203	Sightglass, Indicator, Moisture, 7/8-14	1
4	65-01093-00	Receiver Assembly, Plugged, Painted	1



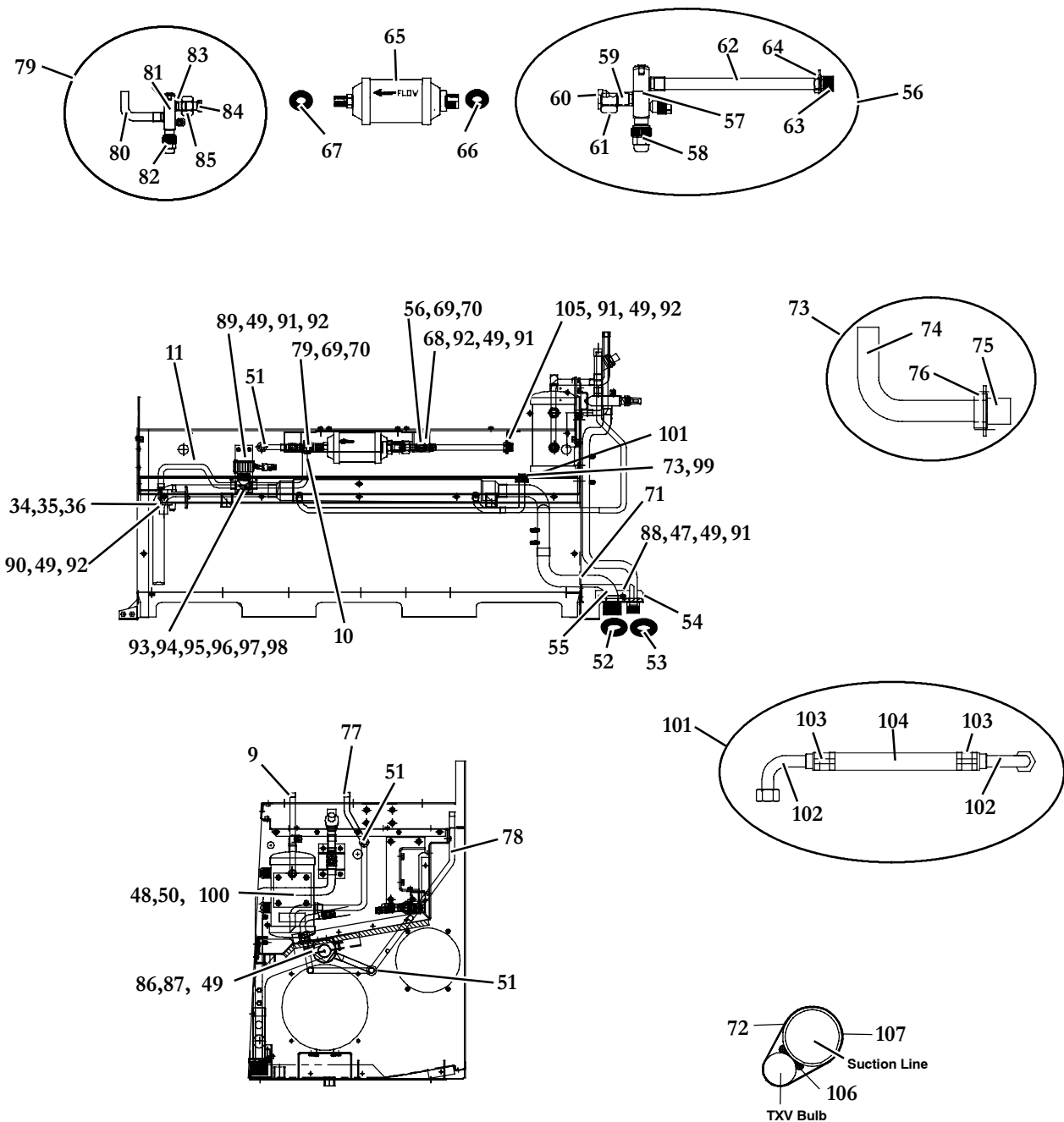


<b>6.3 Refrigerant Piping Kits - Models 68RM35-604-44, -65, -81</b>			
<b>Item</b>	<b>Part Number</b>	<b>Description</b>	<b>Qty</b>
5	14-00111-00	Sight Glass, Receiver (Red Ball Float)	1
6	40-00060-03	Elbow, Street, 90 Degree, 3/8 FPT x 3/8 MPT	1
7	14-01032-01	Plug, Fusible, Safety, 3/8 NPTF	1
8	56-03834-00	Tube, Liquid, Bent, 5/8 OD x .040 Wall Copper	1
9	56-03839-00	Tube, Liquid, Bent, 5/8 OD x .040 Wall Copper	1
10	56-62089-00	Tube, Liquid, Bent, Solenoid Valve, 5/8 OD x .040 Wall Copper	1
11	56-62141-00	Tube, Liquid, Bent, 5/8 OD x .040 Wall Copper, Solenoid To TXV	1
12	81-62084-00	Tube Assembly, Suction, R-134a - Includes:	1
13	56-03844-00	Tube, Suction, Bent, 1-3/8 OD x .055 Wall Copper	1
14	40-00491-06	Fitting, ORS, 1-3/8 ODF x 1-11/16-12	1
15	81-62096-00	Tube Assembly, Discharge, R-134a - Includes:	1
16	14-00281-04	Valve, Check, 7/8 ODF - Includes:	1
17	14-50050-01	Spring And Piston/Seat Assembly - Includes:	1
18	73-50006-00	Spring, Check, Valve, SST	1
19	16-03301-00	Gasket, Check Valve	1
20	14-50093-00	Disk, Spacer, Check Valve Cap	1
21	14-50051-00	Cap, Check Valve	1
22	40-00501-07	Valve, King, Brass, 7/8 ODF	1
23	40-00501-50	Cap, King Valve, Service Part	1
24	56-03833-00	Tube, Discharge, Bent, 7/8 OD x .045 Wall Copper	1
25	40-00491-00	Fitting, ORS, 7/8 x 1 7/16-12	1
26	<b>99TS1445CK002100</b>	Tube, Discharge, Straight, 7/8 OD x .045 Wall x 2.12 Inches Long, Copper	1
27	40-01124-00	Body, Valve, Schrader, Brass 1/4 SAE Flare - Includes:	2
28	14-00351-00	Core, Access Valve (Nickel Plated)	1
29	DD19CA061	Cap, Seal, Flare, 1/4 Inch	1
30	68RM55-124P	Bracket Assembly, Valve Mounting, Painted	1
31	34-00855-04	Screw, Cap Hex Head, 3/8 -24 x 1/2 Inch Long, SST	1
32	34-00663-13	Washer, Split Lock, 3/8 Inch, SST	1
33	34-00662-13	Washer, Flat, 3/8 Inch, SST	1
34	56-62207-00	Tube Assembly, Equalizer, 1/4 OD x .028 Wall Copper	1
35	66U1-1214-5	Body, Flange, Thermal Expansion Valve, 5/8 ODF Inlet x 7/8 ODF Outlet	1
36	14-01104-35	Valve, Thermal Expansion, Less Flange, 5.5 Tons, R134A	1
37	81-62059-00	Heat Exchanger And Tubing Assembly, Liquid/Suction - Includes:	1
38	AC101-900	Heat Exchanger, Liquid/Suction	1
39	68RM35-728	Tube Assembly, Suction Heat Exchanger - Includes:	1
40	56-03832-00	Tube, Suction, Bent, 1-3/8 OD x .055W Copper	1
41	40-01124-00	Body, Valve, Schrader, Brass 1/4 SAE Flare - Includes:	2
42	14-00351-00	Core, Access Valve (Nickel Plated)	1
43	DD19CA061	Cap, Seal, Flare, 1/4 Inch	1
44	56-03840-00	Tube, Suction, Bent, 1-3/8 OD x .055W Copper	1
45	56-62135-00	Tube, Liquid, Bent, 5/8 OD x .040 Wall Copper	1
46	56-03838-00	Tube, Liquid, Bent, 5/8 OD x .040 Wall Copper	1
47	34-00655-08	Screw, Cap Hex Head, 1/4-20 x 1.00 Inch Long, SST	6
48	34-00807-08	Screw, Cap Hex Head, 3/8 -16 x 1.00 Inch Long, SST	4



6.3 Refrigerant Piping Kits - Models 68RM35-604-44, -65, -81 (Continued)

Kit 68RM35-111-24



Item	Part Number	Description	Qty
49	34-00662-11	Washer, Flat, 1/4 Inch, SST	16
50	34-00662-13	Washer, Flat, 3/8 Inch, SST	4
51	58-00065-85	Grommet, 1.12 ID x 1.44 Hole, 0.156 Inch Groove	3
52	42-00243-01	O-Ring, 1.171 ID x 0.139 Thick	1
53	42-00243-00	O-Ring, 0.921 ID x 0.139 Thick	1



<b>6.3 Refrigerant Piping Kits - Models 68RM35-604-44, -65, -81 (Continued)</b>			
<b>Item</b>	<b>Part Number</b>	<b>Description</b>	<b>Qty</b>
54	34-06088-00	Nut, Hex Head, ORS 0.88 x 1.43 -12, Plated Steel	1
55	34-06088-01	Nut, Hex Head, ORS 1.125 x 1.69-12, Plated Steel	1
56	81-62061-00	Valve And Liquid Tubing Assembly - Includes:	1
57	40-00501-05	Valve, King, Brass, 5/8 ODF	1
58	40-00501-50	Cap, King Valve, Service Part	1
59	56-00143-75	Tube, Straight, 5/8 OD x .040W Copper x 1.62 Inches Long	1
60	40-00503-04	Collar, Tube - 5/8 ORS, Nickel Plated Steel	1
61	34-06121-04	Nut, Hex, ORS Braze (1-3/16-12 Threads)	1
62	56-00143-37	Tube, Straight, 5/8 OD x .040W Copper x 9.19 Inches Long	1
63	40-62032-01	Fitting, Swivel Nut, 5/8 x 7/8-14 M.I.O.	1
64	68-62492-02	Plate, Tube Support, Brass	1
65	14-00320-00	Drier, Filter 3/4 ORS x 5/8 ORS - Includes:	1
66	42-00243-03	O-Ring, .614 ID x .070 Thick	1
67	42-00243-11	O-Ring, .739 ID x .070 Thick	1
68	68-62649-00	Bracket, Valve, Painted	1
69	34-00799-04	Screw, Cap Hex Head, 5/16-24 x 1/2 Inch Long, SST	2
70	34-00662-12	Washer, Flat, 5/16 Inch, SST	2
71	58-00065-88	Grommet, 0.88 ID x 1.12 Hole, 0.094 Inch Groove	1
72	44-00045-03	Clamp, Hose, Worm Type (7/8 - 1-3/4)	2
73	81-62060-00	Tube Assembly, Liquid, In-Dash - Includes:	1
74	56-62136-00	Tube, Liquid, Bent, 5/8 OD x .040 Wall Copper	1
75	40-62032-01	Fitting, Swivel Nut, 5/8 x 7/8-14 M.I.O.	1
76	68-62492-02	Plate, Tube Support, Brass	1
77	56-03832-00	Tube, Liquid, Bent, 5/8 OD x .040 Wall Copper	1
78	56-62035-00	Tube, Liquid, Bent, 5/8 OD x .040 Wall Copper	1
79	81-62081-00	Valve And Liquid Tubing Assembly - Includes:	1
80	56-03843-06	Tube, Liquid, Bent, 5/8 OD x .040 Wall Copper	1
81	40-00501-05	Valve, King, Brass, 5/8 ODF	1
82	40-00501-50	Cap, King Valve, Service Part	1
83	56-00143-74	Tube, Straight, 5/8 OD x .040W Copper x 1.84 Inches Long	1
84	40-00503-03	Collar, Tube - 5/8 ORS, Brass	1
85	34-06121-03	Nut, Hex, ORS, Braze (1-14 Threads)	1
86	68RM40-1188	Bracket, Heat Exchanger, SST	2
87	34-00667-61	Nut, Hex, Self-Locking, 1/4-20, SST	2
88	68-62766-00	Bracket, Support, Suction And Discharge Tube, Painted	1
89	68-62158-00	Bracket, Support, Solenoid Valve, Painted	1
90	68-62638-00	Bracket, Support, TXV, Painted	1
91	34-00663-11	Washer, Split Lock, 1/4 Inch, SST	10
92	34-00655-06	Screw, Cap Hex Head, 1/4-20 x 3/4 Inch Long, SST	12
93	14-00236-00	Valve, Solenoid, 5/8 ODF x 7/8 ODM - Includes:	1
94	14-00236-50	Coil, Solenoid Valve, 24 VDC	1
95	14-00236-51	Repair Kit, Solenoid Valve	1
96	34-00663-08	Washer, Split Lock, #8, SST	2
97	34-06264-03	Screw, Hex Head, Slotted With Washer, #8-32 x 0.375 Inch Long, SST	2

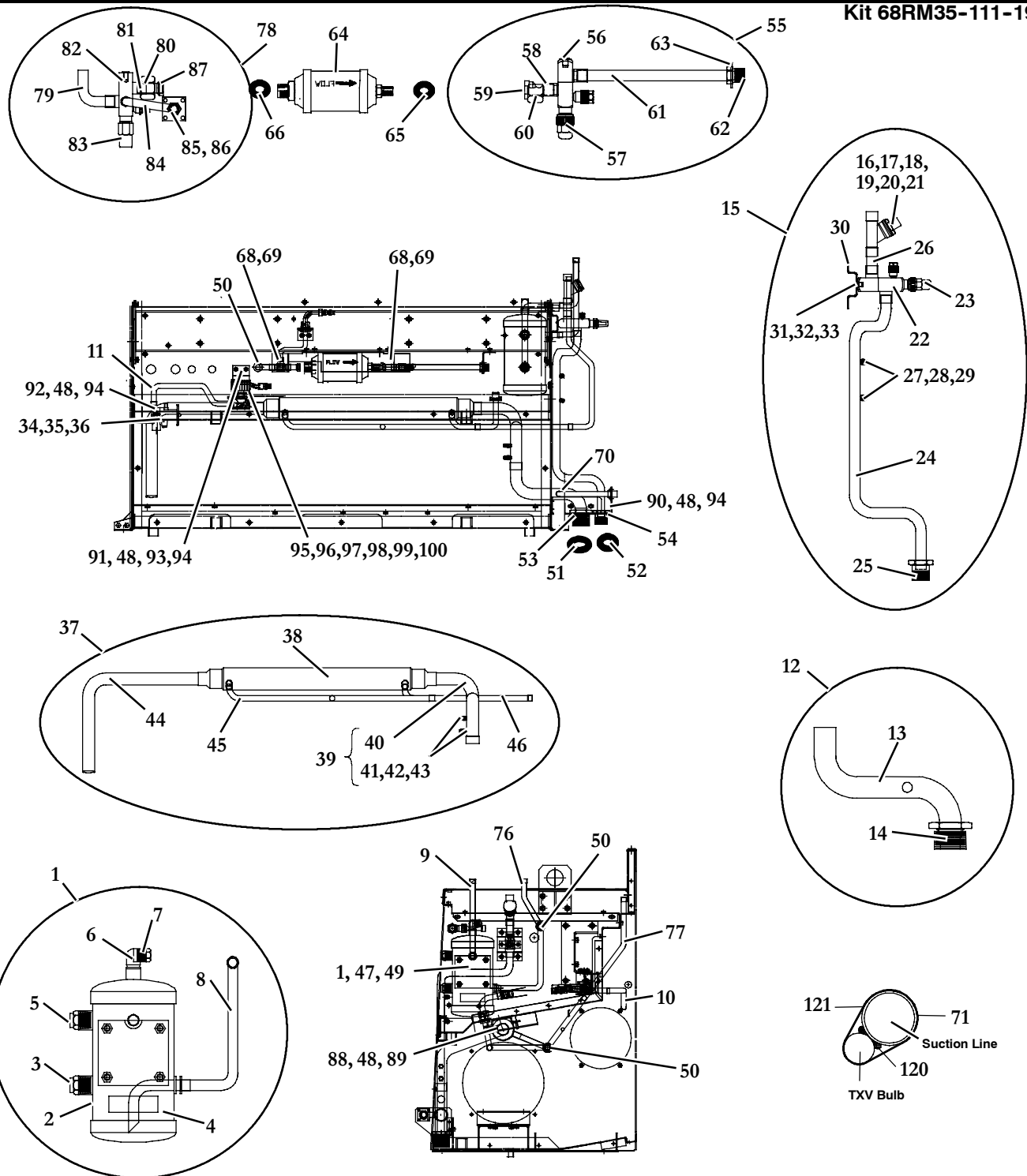


<b>6.3 Refrigerant Piping Kits - Models 68RM35-604-44, -65, -81 (Continued)</b>			
<b>Item</b>	<b>Part Number</b>	<b>Description</b>	<b>Qty</b>
98	34-00662-08	Washer, Flat, #8, SST	2
99	AC701-400	Rivet, Pop, 3/16 Inch	4
100	34-00663-13	Washer, Split Lock, 3/8 Inch, SST	4
101	58-62021-00	Hose Assembly, Liquid, In-Dash - Includes:	1
102	40-60061-07	Fitting, 90 Degree, 5/8 FeMale O-Ring x #12 Hose	2
103	34-60019-05	Clamp, Hose, Quick-Click, #12	2
104	58-60115-05F50	Hose, #12 (50 Feet Roll)	1
105	68-62504-02	Bracket, Support, Tube, Painted	1
106	02-00010-01	Grease, Thermomastic, 6cc Syringe	1
107	42-00032-00	Tape, Insulation, Pressite, 2.00 x 30.00 Feet Long	1



**6.4 Refrigerant Piping Kit - Model 68RM35-604-45**

**Kit 68RM35-111-19**



Item	Part Number	Description	Qty
1	68RM35-558	Receiver Tank And Tubing Assembly - Includes:	1
2	AC901-580	Label, Sightglass <b>Wet/Dry</b>	1
3	AC101-203	Sightglass, Indicator, Moisture, 7/8-14	1
4	65-01093-00	Receiver Assembly, Plugged, Painted	1

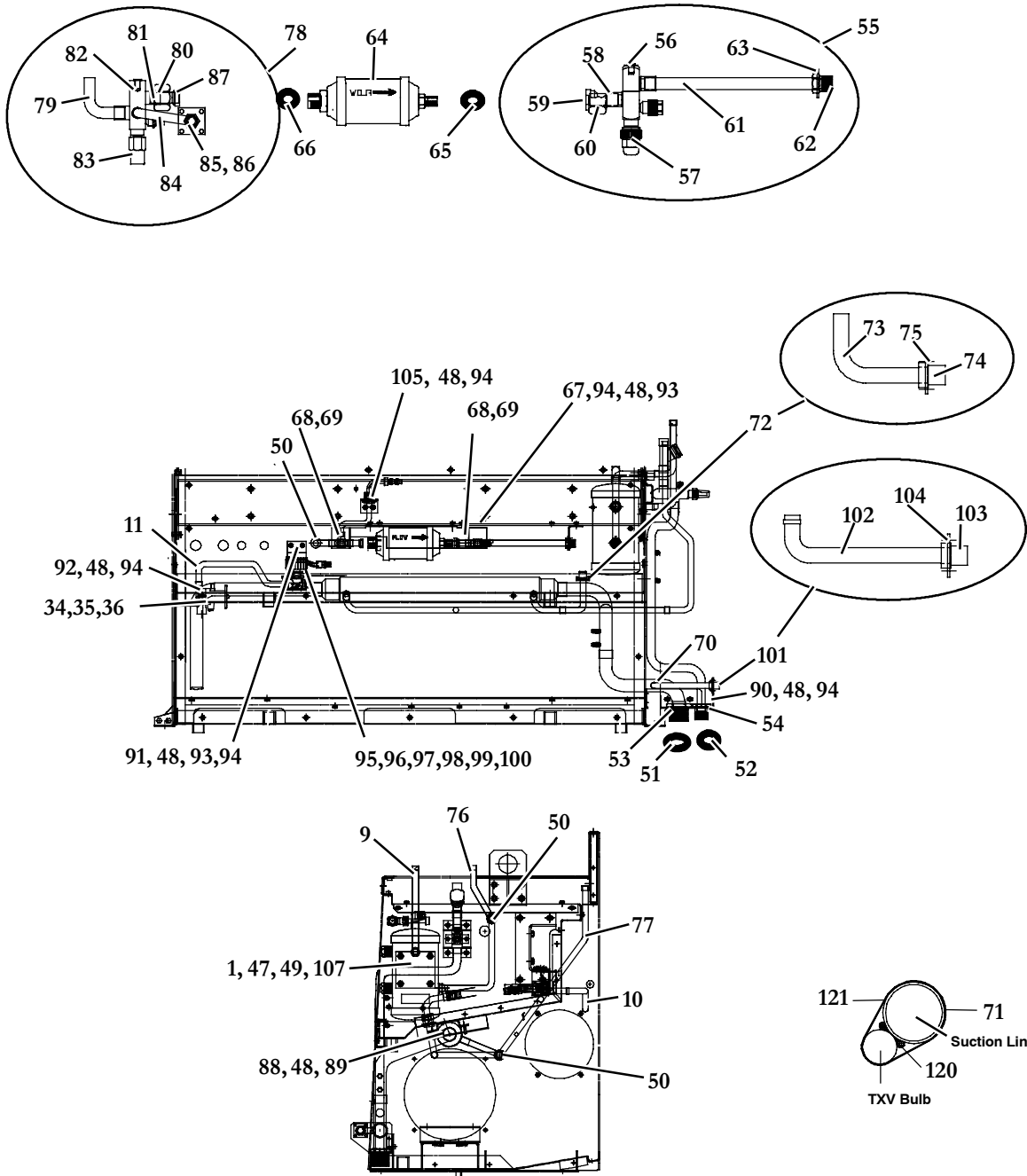


<b>6.4 Refrigerant Piping Kit - Model 68RM35-604-45</b>			
<b>Item</b>	<b>Part Number</b>	<b>Description</b>	<b>Qty</b>
5	14-00111-00	Sight Glass, Receiver (Red Ball Float)	1
6	40-00060-03	Elbow, Street, 90 Degree, 3/8 FPT x 3/8 MPT	1
7	14-01032-01	Plug, Fusible, Safety, 3/8 NPTF	1
8	56-03834-00	Tube, Liquid, Bent, 5/8 OD x .040 Wall Copper	1
9	56-03839-00	Tube, Liquid, Bent, 5/8 OD x .040 Wall Copper	1
10	56-62089-00	Tube, Liquid, Bent, Solenoid Valve, 5/8 OD x .040 Wall Copper	1
11	56-62088-00	Tube, Liquid, Bent, 5/8 OD x .040 Wall Copper, Solenoid To TXV	1
12	68RM35-237-1	Tube Assembly, Suction, R-134a - Includes:	1
13	56-03844-01	Tube, Suction, Bent, 1-3/8 OD x .055 Wall Copper	1
14	40-00491-04	Fitting, ORS, 1-3/8 ODF x 2.00-12	1
15	81-62096-00	Tube Assembly, Discharge, R-134a - Includes:	1
16	14-00281-04	Valve, Check, 7/8 ODF - Includes:	1
17	14-50050-01	Spring And Piston/Seat Assembly - Includes:	1
18	73-50006-00	Spring, Check, Valve, SST	1
19	16-03301-00	Gasket, Check Valve	1
20	14-50093-00	Disk, Spacer, Check Valve Cap	1
21	14-50051-00	Cap, Check Valve	1
22	40-00501-07	Valve, King, Brass, 7/8 ODF	1
23	40-00501-50	Cap, King Valve, Service Part	1
24	56-03833-00	Tube, Discharge, Bent, 7/8 OD x .045 Wall Copper	1
25	40-00491-00	Fitting, ORS, 7/8 x 1 7/16-12	1
26	<b>99TS1445CK002100</b>	Tube, Discharge, Straight, 7/8 OD x .045 Wall x 2.12 Inches Long, Copper	1
27	40-01124-00	Body, Valve, Schrader, Brass 1/4 SAE Flare - Includes:	2
28	14-00351-00	Core, Access Valve (Nickel Plated)	1
29	DD19CA061	Cap, Seal, Flare, 1/4 Inch	1
30	68RM55-124P	Bracket Assembly, Valve Mounting, Painted	1
31	34-00855-04	Screw, Cap Hex Head, 3/8 -24 x 1/2 Inch Long, SST	1
32	34-00663-13	Washer, Split Lock, 3/8 Inch, SST	1
33	34-00662-13	Washer, Flat, 3/8 Inch, SST	1
34	56-62207-00	Tube Assembly, Equalizer, 1/4 OD x .028 Wall Copper	1
35	66U1-1214-5	Body, Flange, Thermal Expansion Valve, 5/8 ODF Inlet x 7/8 ODF Outlet	1
36	14-01104-35	Valve, Thermal Expansion, Less Flange, 5.5 Tons, R134A	1
37	81-62059-00	Heat Exchanger And Tubing Assembly, Liquid/Suction - Includes:	1
38	AC101-900	Heat Exchanger, Liquid/Suction	1
39	68RM35-728	Tube Assembly, Suction Heat Exchanger - Includes:	1
40	56-03832-00	Tube, Suction, Bent, 1-3/8 OD x .055W Copper	1
41	40-01124-00	Body, Valve, Schrader, Brass 1/4 SAE Flare - Includes:	2
42	14-00351-00	Core, Access Valve (Nickel Plated)	1
43	DD19CA061	Cap, Seal, Flare, 1/4 Inch	1
44	56-03840-00	Tube, Suction, Bent, 1-3/8 OD x .055W Copper	1
45	56-62135-00	Tube, Liquid, Bent, 5/8 OD x .040 Wall Copper	1
46	56-03838-00	Tube, Liquid, Bent, 5/8 OD x .040 Wall Copper	1
47	34-00807-08	Screw, Cap Hex Head, 3/8 -16 x 1.00 Inch Long, SST	4
48	34-00662-11	Washer, Flat, 1/4 Inch, SST	18



6.4 Refrigerant Piping Kit - Model 68RM35-604-45 (Continued)

Kit 68RM35-111-19



Item	Part Number	Description	Qty
49	34-00662-13	Washer, Flat, 3/8 Inch, SST	4
50	58-00065-85	Grommet, 0.88 ID x 1.12 Hole, 0.090 Inch Groove	5
51	42-00243-02	O-Ring, 1.484 ID x 0.139 Thick	1
52	42-00243-00	O-Ring, 0.921 ID x 0.139 Thick	1
53	34-06088-02	Nut, Hex Head, ORS 1.50 x 2.00-12, Plated Steel	1
54	34-06088-00	Nut, Hex Head, ORS 0.88 x 1.43 -12, Plated Steel	1
55	81-62061-00	Valve And Liquid Tubing Assembly - Includes:	1



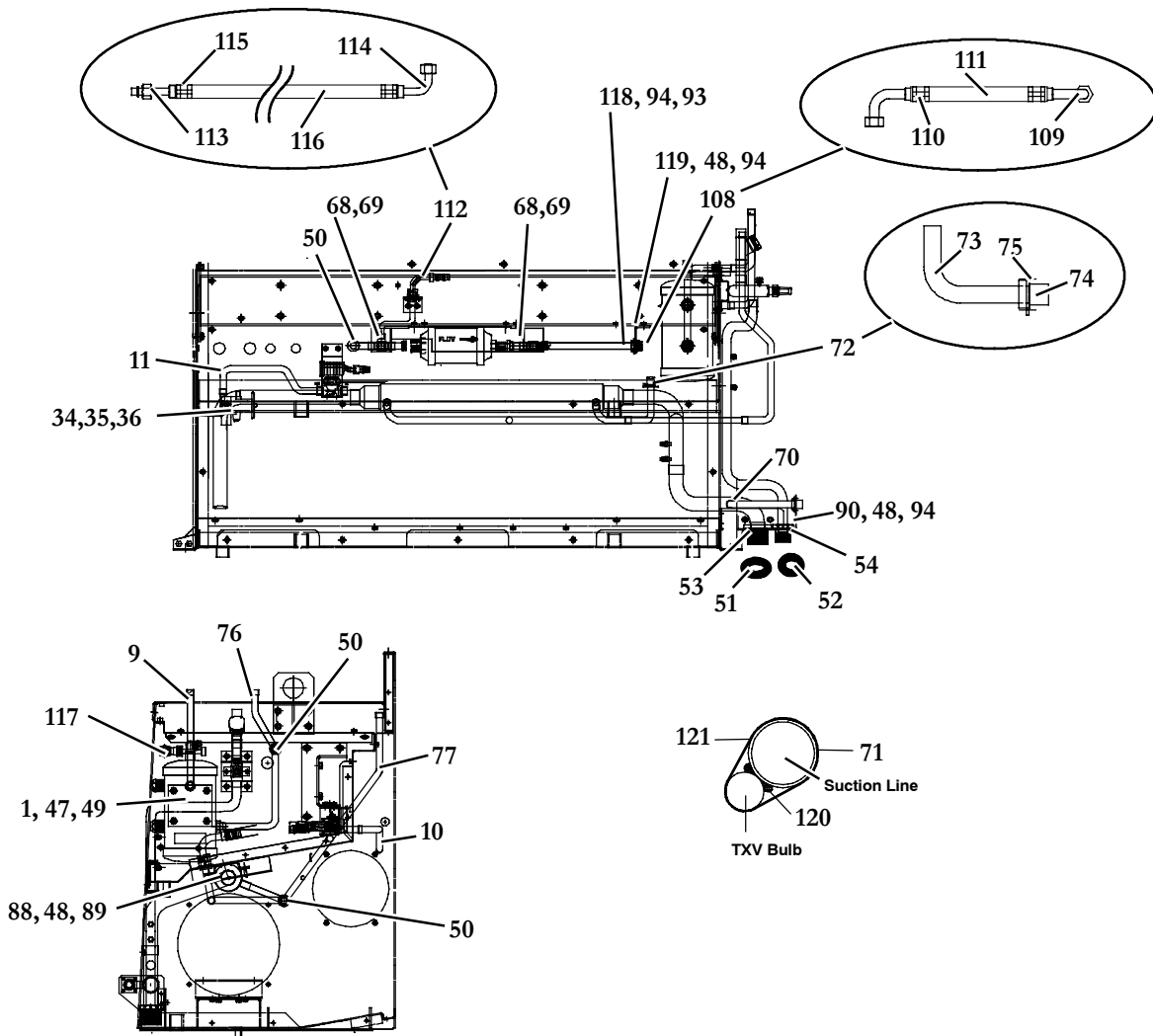
<b>6.4 Refrigerant Piping Kit - Model 68RM35-604-45 (Continued)</b>			
<b>Item</b>	<b>Part Number</b>	<b>Description</b>	<b>Qty</b>
56	40-00501-05	Valve, King, Brass, 5/8 ODF	1
57	40-00501-50	Cap, King Valve, Service Part	1
58	56-00143-75	Tube, Straight, 5/8 OD x .040W Copper x 1.62 Inches Long	1
59	40-00503-04	Collar, Tube - 5/8 ORS, Nickel Plated Steel	1
60	34-06121-04	Nut, Hex, ORS Braze(1-3/16-12 Threads)	1
61	56-00143-37	Tube, Straight, 5/8 OD x .040W Copper x 9.19 Inches Long	1
62	40-62032-01	Fitting, Swivel Nut, 5/8 x 7/8-14 M.I.O.	1
63	68-62492-02	Plate, Tube Support, Brass	1
64	14-00320-00	Drier, Filter 3/4 ORS x 5/8 ORS - Includes:	1
65	42-00243-03	O-Ring, .614 ID x .070 Thick	1
66	42-00243-11	O-Ring, .739 ID x .070 Thick	1
67	68-62266-00	Bracket, Valve, Painted	1
68	34-00799-04	Screw, Cap Hex Head, 5/16-24 x 0.50 Inch Long, SST	2
69	34-00662-12	Washer, Flat, 5/16 Inch, SST	2
70	58-00065-88	Grommet, 0.88 ID x 1.12 Hole, 0.094 Inch Groove	1
71	44-00045-03	Clamp, Hose, Worm Type (7/8 - 1-3/4)	2
72	81-62060-00	Tube Assembly, Liquid, In-Dash - Includes:	1
73	56-62136-00	Tube, Liquid, Bent, 5/8 OD x .040 Wall Copper	1
74	40-62032-01	Fitting, Swivel Nut, 5/8 x 7/8-14 M.I.O.	1
75	68-62492-02	Plate, Tube Support, Brass	1
76	56-03832-00	Tube, Liquid, Bent, 5/8 OD x .040 Wall Copper	1
77	56-62035-00	Tube, Liquid, Bent, 5/8 OD x .040 Wall Copper	1
78	81-62052-00	Valve And Liquid Tubing Assembly - Includes:	1
79	56-03843-03	Tube, Liquid, Bent, 5/8 OD x .040 Wall Copper	1
80	56-00143-75	Tube, Straight, 5/8 OD x .040W Copper x 1.62 Inches Long	1
81	34-06121-03	Nut, Hex, ORS, Braze (1-14 Threads)	1
82	40-62028-00	Valve, King, Brass, 5/8 ODF x 5/8 ODF x 1/2 ODF	1
83	40-00501-50	Cap, King Valve, Service Part	1
84	56-62093-00	Tube, Liquid, Bent, 1/2 OD x .035 Wall Copper	1
85	40-62032-02	Fitting, Swivel Nut, 1/2 x 3/4-16 M.I.O.	1
86	68-62492-00	Plate, Tube Support, Brass	1
87	40-00503-03	Collar, Tube - 5/8 ORS, Brass	1
88	68RM40-1188	Bracket, Heat Exchanger, SST	2
89	34-00667-61	Nut, Hex, Self-Locking, 1/4-20, SST	2
90	86-62157-00	Bracket Assembly, Support, Suction And Discharge Tube, Painted	1
91	68-62158-00	Bracket, Support, Solenoid Valve, Painted	1
92	68-62114-03	Bracket, Support, TXV, Painted	1
93	34-00663-11	Washer, Split Lock, 1/4 Inch, SST	16
94	34-00655-06	Screw, Cap Hex Head, 1/4-20 x 3/4 Inch Long, SST	14
95	14-00236-00	Valve, Solenoid, 5/8 ODF x 7/8 ODM - Includes:	1
96	14-00236-50	Coil, Solenoid Valve, 24 VDC	1
97	14-00236-51	Repair Kit, Solenoid Valve	1
98	34-00663-08	Washer, Split Lock, #8, SST	2
99	34-06264-03	Screw, Hex Head, Slotted With Washer, #8-32 x 3/8 Inch Long, SST	2





6.4 Refrigerant Piping Kit - Model 68RM35-604-45 (Continued)

Kit 68RM35-111-19



Item	Part Number	Description	Qty
100	34-00662-08	Washer, Flat, #8, SST	2
101	81-62054-00	Tube Assembly, Suction, In-Dash - Includes:	1
102	56-62128-00	Tube, Suction, Bent, 5/8 OD x .040 Wall Copper	1
103	40-62032-01	Fitting, Swivel Nut, 5/8 x 7/8-14 M.I.O.	1
104	68-62492-02	Plate, Tube Support, Brass	1
105	68-62504-00	Bracket, Support, Tube, Painted	1
106	AC701-400	Rivet, Pop, 3/16 Inch	3
107	34-00663-13	Washer, Split Lock, 3/8 Inch, SST	4
108	58-62021-00	Hose Assembly, Liquid, In-Dash - Includes:	1
109	40-60061-07	Fitting, 90 Degree, 5/8 FeMale O-Ring x #12 Hose	1
110	34-60019-05	Clamp, Hose, Quick-Click, #12	2
111	58-60115-05F50	Hose, #12 (50 Feet Roll)	1

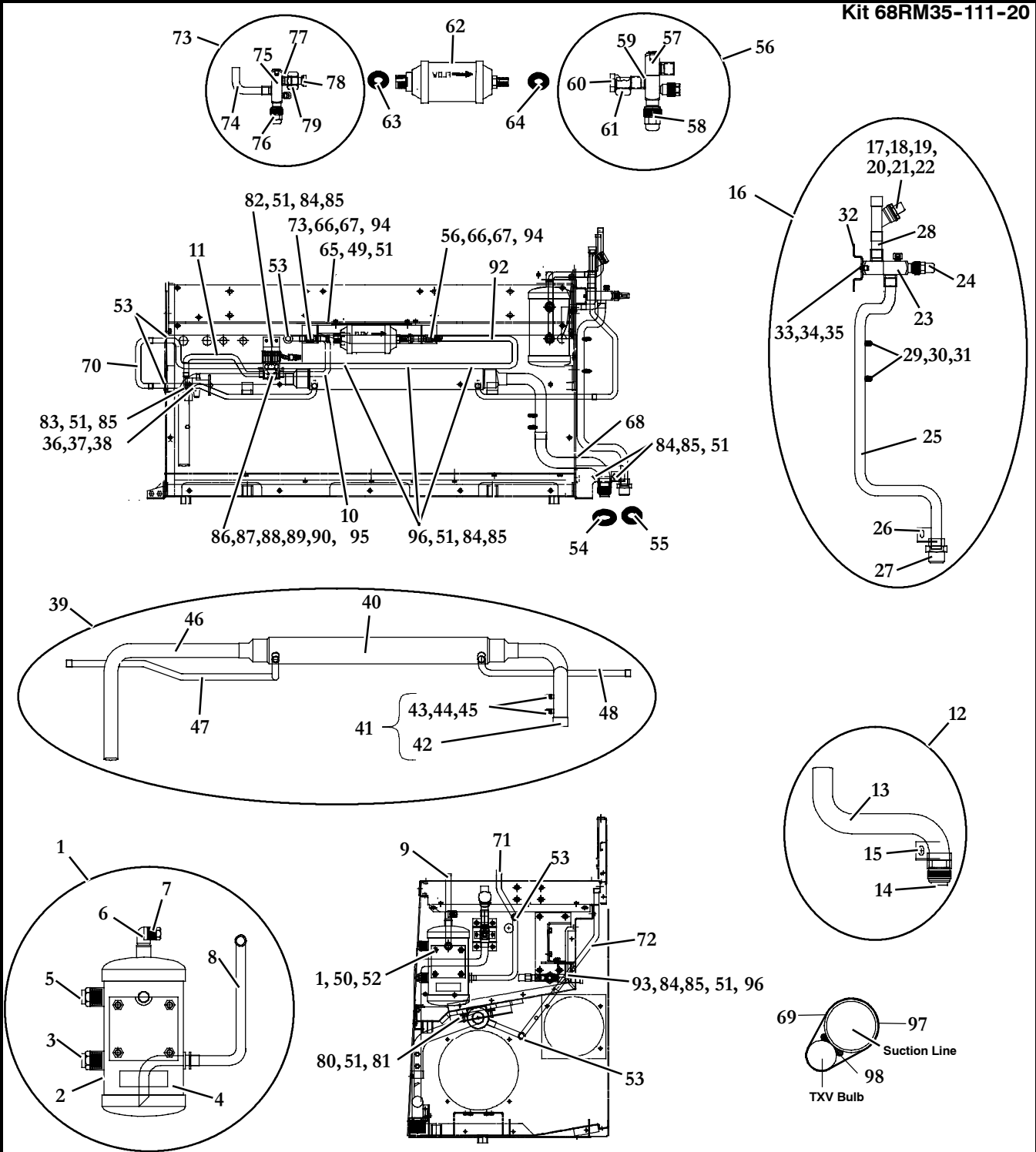


<b>6.4 Refrigerant Piping Kit - Model 68RM35-604-45 (Continued)</b>			
<b>Item</b>	<b>Part Number</b>	<b>Description</b>	<b>Qty</b>
112	58-62022-00	Hose Assembly, Liquid, In-Dash - Includes:	1
113	40-60060-06	Fitting, Straight, 1/2 Female O-Ring x #10 Hose	1
114	40-60061-06	Fitting, 90 Degree, 1/2 Female O-Ring x #10 Hose	1
115	34-60019-04	Clamp, Hose, Quick-Click, #10	2
116	58-60115-04F50	Hose, #10 (50 Feet Roll)	1
117	40-62041-00	Fitting, 90 Degree, BulkHead, #8 M.I.O. x #8 M.I.O.	1
118	34-00373-13	Clamp, Tube, Neoprene Cushion, 1.00 Inch Diameter	2
119	68-62504-02	Bracket, Support, Tube, Painted	1
120	02-00010-01	Grease, Thermomastic, 6cc Syringe	1
121	42-00032-00	Tape, Insulation, Pressite, 2.00 x 30.00 Feet Long	1



6.5 Refrigerant Piping Kit - Model 68RM35-604-48

Kit 68RM35-111-20



Item	Part Number	Description	Qty
1	68RM35-558	Receiver Tank And Tubing Assembly - Includes:	1
2	AC901-580	Label, Sightglass <b>Wet/Dry</b>	1
3	AC101-203	Sightglass, Indicator, Moisture, 7/8-14	1
4	65-01093-00	Receiver Assembly, Plugged, Painted	1

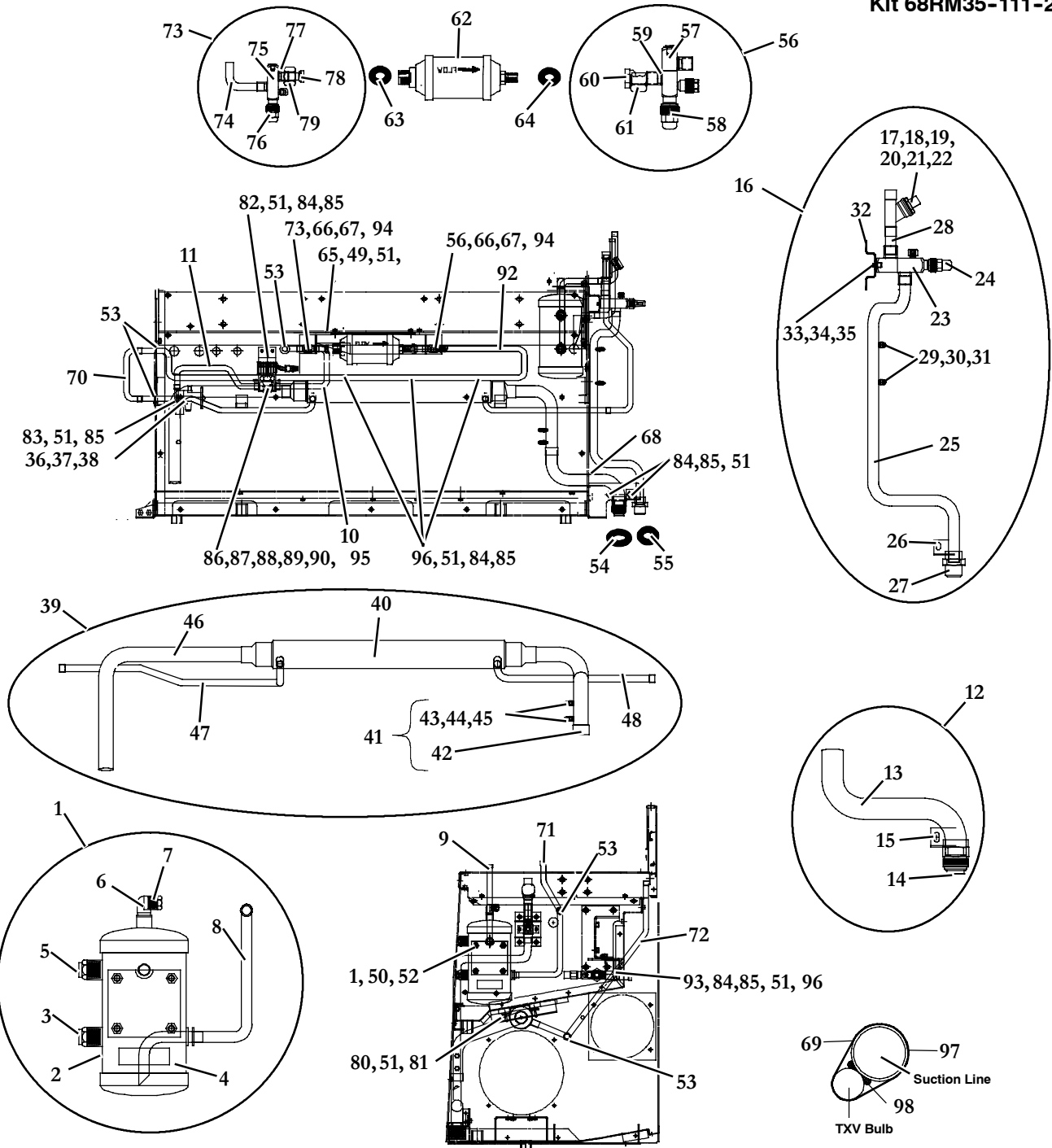


<b>6.5 Refrigerant Piping Kit - Model 68RM35-604-48</b>			
<b>Item</b>	<b>Part Number</b>	<b>Description</b>	<b>Qty</b>
5	14-00111-00	Sight Glass, Receiver (Red Ball Float)	1
6	40-00060-03	Elbow, Street, 90 Degree, 3/8 FPT x 3/8 MPT	1
7	14-01032-01	Plug, Fusible, Safety, 3/8 NPTF	1
8	56-03834-00	Tube, Liquid, Bent, 5/8 OD x .040 Wall Copper	1
9	56-03839-00	Tube, Liquid, Bent, 5/8 OD x .040 Wall Copper	1
10	56-62089-00	Tube, Liquid, Bent, Solenoid Valve, 5/8 OD x .040 Wall Copper	1
11	56-62088-00	Tube, Liquid, Bent, 5/8 OD x .040 Wall Copper, Solenoid To TXV	1
12	68RM35-167	Tube Assembly, Suction, R-134a - Includes:	1
13	56-62040-00	Tube, Suction, Bent, 1-3/8 OD x .055 Wall Copper	1
14	66U1-1003-19	Adapter, JIC, 1-3/8 ODF x 1-7/8-12 Flare	1
15	68RM35-1242-2	Bracket, Support, Suction Line	1
16	68RM35-538	Tube Assembly, Discharge, R-134a - Includes:	1
17	14-00281-04	Valve, Check, 7/8 ODF - Includes:	1
18	14-50050-01	Spring And Piston/Seat Assembly - Includes:	1
19	73-50006-00	Spring, Check, Valve, SST	1
20	16-03301-00	Gasket, Check Valve	1
21	14-50093-00	Disk, Spacer, Check Valve Cap	1
22	14-50051-00	Cap, Check Valve	1
23	40-00501-07	Valve, King, Brass, 7/8 ODF	1
24	40-00501-50	Cap, King Valve, Service Part	1
25	56-03836-00	Tube, Discharge, Bent, 7/8 OD x .045 Wall Copper	1
26	68RM35-1242	Bracket, Support, Discharge Line	1
27	DE07DA608	Adapter, JIC, 7/8 ODF x 1-5/16-12 Flare	1
28	<b>99TS1445CK002100</b>	Tube, Discharge, Straight, 7/8 OD x .045 Wall x 2.12 Inches Long, Copper	1
29	40-01124-00	Body, Valve, Schrader, Brass 1/4 SAE Flare - Includes:	2
30	14-00351-00	Core, Access Valve (Nickel Plated)	1
31	DD19CA061	Cap, Seal, Flare, 1/4 Inch	1
32	68RM55-124P	Bracket Assembly, Valve Mounting, Painted	1
33	34-00855-04	Screw, Cap Hex Head, 3/8 -24 x 1/2 Inch Long, SST	1
34	34-00663-13	Washer, Split Lock, 3/8 Inch, SST	1
35	34-00662-13	Washer, Flat, 3/8 Inch, SST	1
36	56-62207-00	Tube Assembly, Equalizer, 1/4 OD x .028 Wall Copper	1
37	66U1-1214-5	Body, Flange, Thermal Expansion Valve, 5/8 ODF Inlet x 7/8 ODF Outlet	1
38	14-01104-35	Valve, Thermal Expansion, Less Flange, 5.5 Tons, R134A	1
39	68RM35-548	Heat Exchanger And Tubing Assembly, Liquid/Suction - Includes:	1
40	AC101-900	Heat Exchanger, Liquid/Suction	1
41	68RM35-728	Tube Assembly, Suction Heat Exchanger - Includes:	1
42	56-03832-00	Tube, Suction, Bent, 1-3/8 OD x .055W Copper	1
43	40-01124-00	Body, Valve, Schrader, Brass 1/4 SAE Flare - Includes:	2
44	14-00351-00	Core, Access Valve (Nickel Plated)	1
45	DD19CA061	Cap, Seal, Flare, 1/4 Inch	1
46	56-03840-00	Tube, Suction, Bent, 1-3/8 OD x .055W Copper	1
47	56-03842-00	Tube, Liquid, Bent, 5/8 OD x .040 Wall Copper	1
48	56-03838-00	Tube, Liquid, Bent, 5/8 OD x .040 Wall Copper	1



6.5 Refrigerant Piping Kit - Model 68RM35-604-48 (Continued)

Kit 68RM35-111-20



Item	Part Number	Description	Qty
49	34-00655-08	Screw, Cap Hex Head, 1/4-20 x 1.00 Inch Long, SST	6
50	34-00807-08	Screw, Cap Hex Head, 3/8 -16 x 1.00 Inch Long, SST	4
51	34-00662-11	Washer, Flat, 1/4 Inch, SST	21
52	34-00662-13	Washer, Flat, 3/8 Inch, SST	4
53	58-00065-85	Grommet, 0.88 ID x 1.12 Hole, 0.090 Inch Groove	5
54	KK71GW015	O-Ring, 1.30 ID x .103 Thick	1

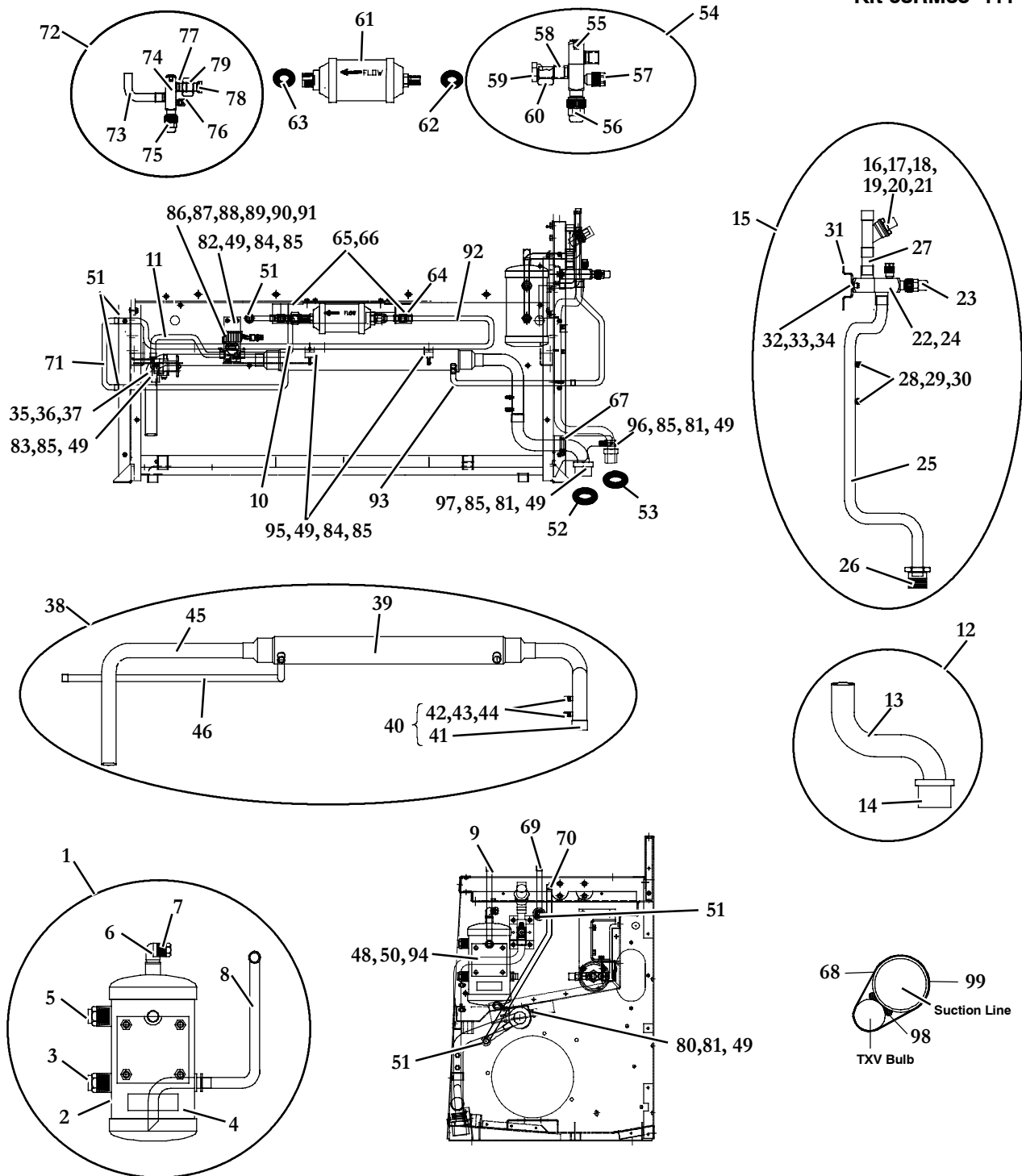


<b>6.5 Refrigerant Piping Kit - Model 68RM35-604-48 (Continued)</b>			
<b>Item</b>	<b>Part Number</b>	<b>Description</b>	<b>Qty</b>
55	KK71JV010	O-Ring, 7/8" x 1" x 5/64"	1
56	81-62053-00	Valve And Liquid Tubing Assembly - Includes:	1
57	40-00501-05	Valve, King, Brass, 5/8 ODF	1
58	40-00501-50	Cap, King Valve, Service Part	1
59	56-00143-75	Tube, Straight, 5/8 OD x .040W Copper x 1.62 Inches Long	1
60	40-00503-04	Collar, Tube - 5/8 ORS, Nickel Plated Steel	1
61	34-06121-04	Nut, Hex, ORS Braze (1-3/16-12 Threads)	1
62	14-00320-00	Drier, Filter 3/4 ORS x 5/8 ORS - Includes:	1
63	42-00243-03	O-Ring, .614 ID x .070 Thick	1
64	42-00243-11	O-Ring, .739 ID x .070 Thick	1
65	68-62266-00	Bracket, Valve, Painted	1
66	34-00799-04	Screw, Cap Hex Head, 5/16-24 x 1/2 Inch Long, SST	2
67	34-00662-12	Washer, Flat, 5/16 Inch, SST	2
68	58-00065-88	Grommet, 0.88 ID x 1.12 Hole, 0.094 Inch Groove	1
69	44-00045-03	Clamp, Hose, Worm Type (7/8 - 1-3/4)	2
70	68RM35-1157	Tube, Liquid, Bent, 5/8 OD x .040 Wall Copper	1
71	56-03832-00	Tube, Liquid, Bent, 5/8 OD x .040 Wall Copper	1
72	56-62035-00	Tube, Liquid, Bent, 5/8 OD x .040 Wall Copper	1
73	81-62025-00	Valve And Liquid Tubing Assembly - Includes:	1
74	56-03843-03	Tube, Liquid, Bent, 5/8 OD x .040 Wall Copper	1
75	40-00501-05	Valve, King, Brass, 5/8 ODF	1
76	40-00501-50	Cap, King Valve, Service Part	1
77	56-00143-75	Tube, Straight, 5/8 OD x .040W Copper x 1.62 Inches Long	1
78	40-00503-03	Collar, Tube - 5/8 ORS, Brass	1
79	34-06121-03	Nut, Hex, ORS, Braze (1-14 Threads)	1
80	68RM40-1188	Bracket, Heat Exchanger, SST	2
81	34-00667-61	Nut, Hex, Self-Locking, 1/4-20, SST	6
82	68-62158-00	Bracket, Support, Solenoid Valve, Painted	1
83	68-62114-03	Bracket, Support, TXV, Painted	1
84	34-00663-11	Washer, Split Lock, 1/4 Inch, SST	9
85	34-00655-06	Screw, Cap Hex Head, 1/4-20 x 3/4 Inch Long, SST	11
86	14-00236-00	Valve, Solenoid, 5/8 ODF x 7/8 ODM - Includes:	1
87	14-00236-50	Coil, Solenoid Valve, 24 VDC	1
88	14-00236-51	Repair Kit, Solenoid Valve	1
89	34-00663-08	Washer, Split Lock, #8, SST	2
90	34-06264-04	Screw, Hex Head, Slotted With Washer, #8-32 x 1/2 Inch Long, SST	2
91	34-00655-04	Screw, Hex Head, 1/4-20 x 1/2 Inch Long, SST	2
92	56-62127-00	Tube, Liquid, Bent, 5/8 OD x .040 Wall Copper	1
93	68-62505-00	Bracket Assembly, Painted	1
94	34-00663-12	Washer, Split Lock, 5/16 Inch, SST	2
95	34-00662-08	Washer, Flat, #8, SST	2
96	AC701-201	Clamp, Tube, Insulated, 5/8 Inch, SST	4
97	02-00010-01	Grease, Thermomastic, 6cc Syringe	1
98	42-00032-00	Tape, Insulation, Presstite, 2.00 x 30.00 Feet Long	1



6.6 Refrigerant Piping Kit - Models 68RM35-604-49, -72, -96

Kit 68RM35-111-30



Item	Part Number	Description	Qty
1	81-62012-00	Receiver Tank And Tubing Assembly - Includes:	1
2	AC901-580	Label, Sightglass <b>Wet/Dry</b>	1
3	AC101-203	Sightglass, Indicator, Moisture, 7/8-14	1
4	65-01093-00	Receiver Assembly, Plugged, Painted	1



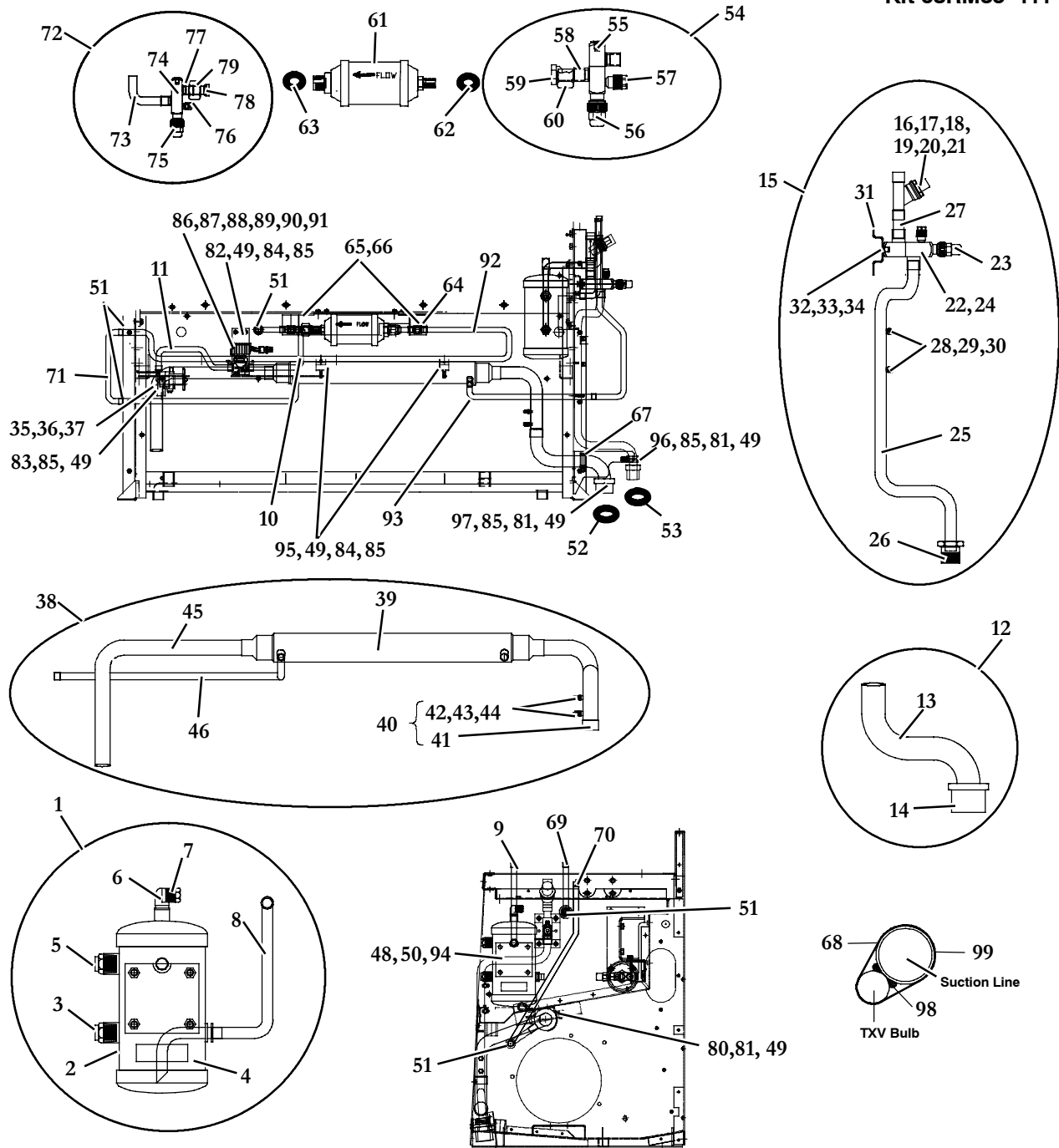
<b>6.6 Refrigerant Piping Kit - Models 68RM35-604-49, -72, -96</b>			
<b>Item</b>	<b>Part Number</b>	<b>Description</b>	<b>Qty</b>
5	14-00111-00	Sight Glass, Receiver (Red Ball Float)	1
6	40-00060-03	Elbow, Street, 90 Degree, 3/8 FPT x 3/8 MPT	1
7	14-01032-01	Plug, Fusible, Safety, 3/8 NPTF	1
8	56-62064-00	Tube, Liquid, Bent, 5/8 OD x .040 Wall Copper	1
9	68RM35-1073	Tube, Liquid, Bent, 5/8 OD x .040 Wall Copper	1
10	56-62089-00	Tube, Liquid, Bent, Solenoid Valve, 5/8 OD x .040 Wall Copper	1
11	56-62141-00	Tube, Liquid, Bent, 5/8 OD x .040 Wall Copper, Solenoid To TXV	1
12	81-02610-00	Tube Assembly, Suction, R-134a - Includes:	1
13	56-62040-00	Tube, Suction, Bent, 1-3/8 OD x .055 Wall Copper	1
14	40-00491-04	Fitting, ORS, 1-3/8 x 2.00 -12, Brass	1
15	81-02609-01	Tube Assembly, Discharge, R-134a - Includes:	1
16	14-00281-04	Valve, Check, 7/8 ODF - Includes:	1
17	14-50050-01	Spring And Piston/Seat Assembly - Includes:	1
18	73-50006-00	Spring, Check, Valve, SST	1
19	16-03301-00	Gasket, Check Valve	1
20	14-50093-00	Disk, Spacer, Check Valve Cap	1
21	14-50051-00	Cap, Check Valve	1
22	40-00501-07	Valve, King, Brass, 7/8 ODF	1
23	40-00501-50	Cap, King Valve, Service Part	1
24	40-00647-00	Core, King Valve, Brass	1
25	56-03836-02	Tube, Discharge, Bent, 7/8 OD x .045 Wall Copper	1
26	40-00491-00	Fitting, ORS, 7/8 x 1-7/16 -12, Brass	1
27	<b>99TS1445CK002100</b>	Tube, Discharge, Straight, 7/8 OD x .045 Wall x 2.12 Inches Long, Copper	1
28	40-01124-00	Body, Valve, Schrader, Brass 1/4 SAE Flare - Includes:	2
29	14-00351-00	Core, Access Valve (Nickel Plated)	1
30	DD19CA061	Cap, Seal, Flare, 1/4 Inch	1
31	68RM55-124P	Bracket Assembly, Valve Mounting, Painted	1
32	34-00855-04	Screw, Cap Hex Head, 3/8 -24 x 0.50 Inch Long, SST	1
33	34-00663-13	Washer, Split Lock, 3/8 Inch, SST	1
34	34-00662-13	Washer, Flat, 3/8 Inch, SST	1
35	56-62207-00	Tube Assembly, Equalizer, 1/4 OD x .028 Wall Copper	1
36	66U1-1214-5	Body, Flange, Thermal Expansion Valve, 5/8 ODF Inlet x 7/8 ODF Outlet	1
37	14-01104-35	Valve, Thermal Expansion, Less Flange, 5.5 Tons, R134A	1
38	68RM35-548-01	Heat Exchanger And Tubing Assembly, Liquid/Suction - Includes:	1
39	AC101-900	Heat Exchanger, Liquid/Suction	1
40	68RM35-728	Tube Assembly, Suction Heat Exchanger - Includes:	1
41	56-03832-00	Tube, Suction, Bent, 1-3/8 OD x .055W Copper	1
42	40-01124-00	Body, Valve, Schrader, Brass 1/4 SAE Flare - Includes:	2
43	14-00351-00	Core, Access Valve (Nickel Plated)	1
44	DD19CA061	Cap, Seal, Flare, 1/4 Inch	1
45	68RM35-1057	Tube, Suction, Bent, 1-3/8 OD x .055W Copper	1
46	56-03838-00	Tube, Liquid, Bent, 5/8 OD x .040 Wall Copper	1
47	34-00655-08	Screw, Cap Hex Head, 1/4-20 x 1.00 Inch Long, SST	4
48	34-00807-08	Screw, Cap Hex Head, 3/8 -16 x 1.00 Inch Long, SST	4





6.6 Refrigerant Piping Kit - Models 68RM35-604-49, -72, -96 (Continued)

Kit 68RM35-111-30



Item	Part Number	Description	Qty
49	34-00662-11	Washer, Flat, 1/4 Inch, SST	26
50	34-00662-13	Washer, Flat, 3/8 Inch, SST	4
51	58-00065-85	Grommet, 0.88 ID x 1.12 Hole, 0.090 Inch Groove	6
52	42-00243-01	O-Ring, 1.171 ID x 0.139 Thick	1
53	42-00243-00	O-Ring, 0.921 ID x 0.139 Thick	1
54	81-62053-00	Valve And Liquid Tubing Assembly - Includes:	1
55	40-00501-05	Valve, King, Brass, 5/8 ODF	1

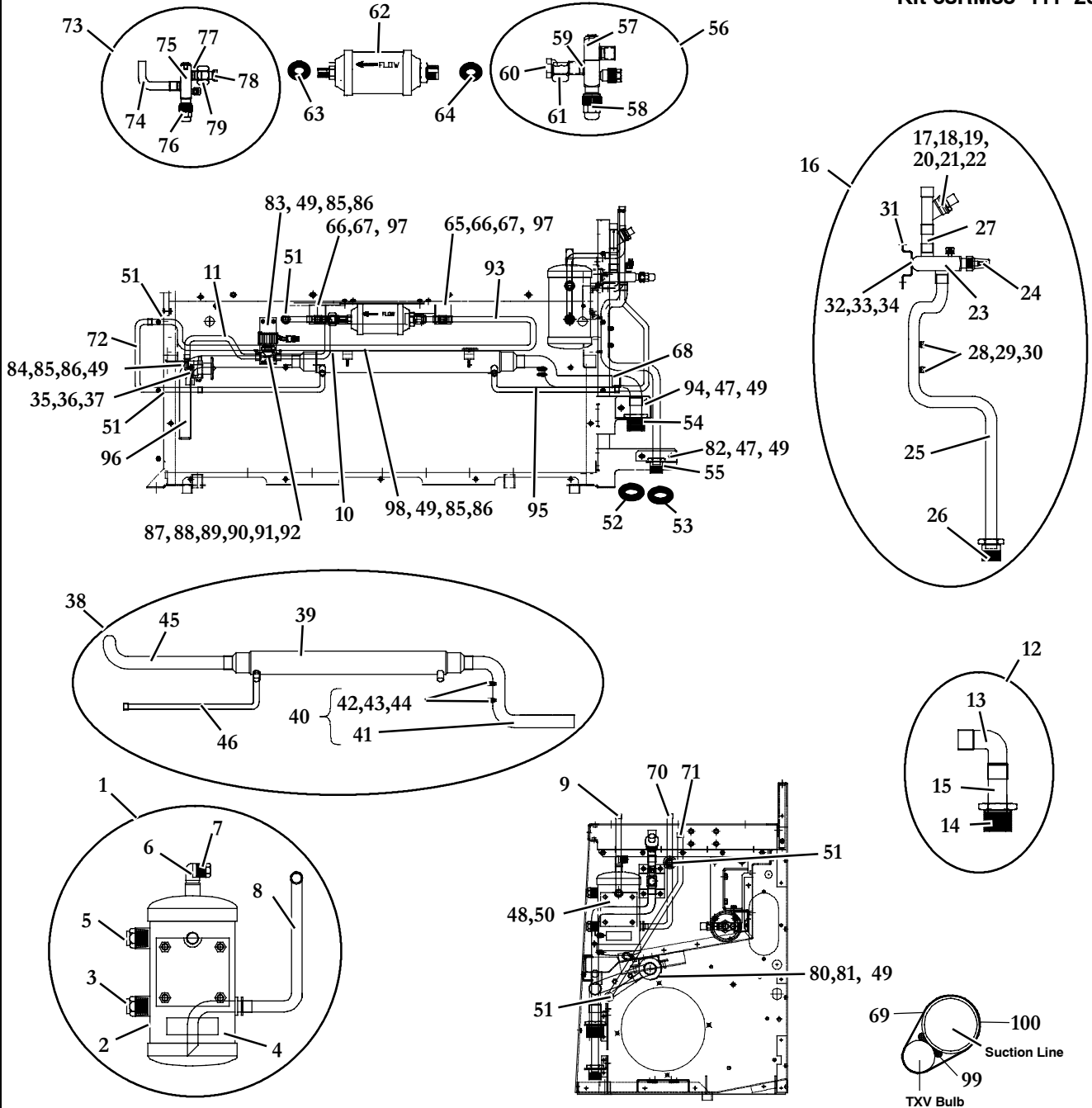


<b>6.6 Refrigerant Piping Kit - Models 68RM35-604-49, -72, -96 (Continued)</b>			
<b>Item</b>	<b>Part Number</b>	<b>Description</b>	<b>Qty</b>
56	40-00501-50	Cap, King Valve, Service Part	1
57	40-00647-00	Core, King Valve, Brass	1
58	56-00143-75	Tube, Straight, 5/8 OD x .040W Copper x 1.62 Inches Long	1
59	40-00503-04	Collar, Tube - 5/8 ORS, Nickel Plated Steel	1
60	34-06121-04	Nut, Hex, ORS Braze (1-3/16-12 Threads)	1
61	14-00320-00	Drier, Filter 3/4 ORS x 5/8 ORS - Includes:	1
62	42-00243-03	O-Ring, .614 ID x .070 Thick	1
63	42-00243-11	O-Ring, .739 ID x .070 Thick	1
64	68-62649-00	Bracket, Valve, Painted	1
65	34-00799-04	Screw, Cap Hex Head, 5/16-24 x 1/2 Inch Long, SST	2
66	34-00662-12	Washer, Flat, 5/16 Inch, SST	2
67	58-00065-88	Grommet, 0.88 ID x 1.12 Hole, 0.094 Inch Groove	1
68	44-00045-03	Clamp, Hose, Worm Type (7/8 - 1-3/4)	2
69	56-62065-00	Tube, Liquid, Bent, 5/8 OD x .040 Wall Copper	1
70	56-62209-00	Tube, Liquid, Bent, 5/8 OD x .040 Wall Copper	1
71	56-03837-00	Tube, Liquid, Bent, 5/8 OD x .040 Wall Copper	1
72	81-62081-00	Valve And Liquid Tubing Assembly, Includes:	1
73	56-03843-06	Tube, Liquid, Bent, 5/8 OD x .040 Wall Copper	1
74	40-00501-05	Valve, King, Brass, 5/8 ODF	1
75	40-00501-50	Cap, King Valve, Service Part	1
76	40-00647-00	Core, King Valve, Brass	1
77	56-00143-74	Tube, Straight, 5/8 OD x .040W Copper x 1.84 Inches Long	1
78	40-00503-03	Collar, Tube - 5/8 ORS, Brass	1
79	34-06121-03	Nut, Hex, ORS, Braze (1-14 Threads)	1
80	68RM40-1188	Bracket, Heat Exchanger, SST	2
81	34-00667-61	Nut, Hex, Self-Locking, 1/4-20, SST	6
82	68-62158-00	Bracket, Support, Solenoid Valve, Painted	1
83	68-62638-00	Bracket, Support, TXV, Painted	1
84	34-00663-11	Washer, Split Lock, 1/4 Inch, SST	12
85	34-00655-06	Screw, Cap Hex Head, 1/4-20 x 3/4 Inch Long, SST	17
86	14-00236-00	Valve, Solenoid, 5/8 ODF x 7/8 ODM - Includes:	1
87	14-00236-50	Coil, Solenoid Valve, 24 VDC	1
88	14-00236-51	Repair Kit, Solenoid Valve	1
89	34-00663-08	Washer, Split Lock, #8, SST	2
90	34-06264-04	Screw, Hex Head, Slotted With Washer, #8-32 x 1/2 Inch Long, SST	2
91	34-00662-08	Washer, Flat, #8, SST	2
92	56-62164-00	Tube, Liquid, Bent, 5/8 OD x .040 Wall Copper	1
93	56-62208-00	Tube, Liquid, Bent, 5/8 OD x .040 Wall Copper	1
94	34-00663-12	Washer, Split Lock, 5/16 Inch, SST	2
95	34-00373-07	Clamp, Tube, Insulated, 5/8 Inch Diameter	4
96	44-01134-14	Clamp, Tube, With Rubber Cushion, 0.88 Inch OD, SST	1
97	34-00373-69	Clamp, Tube, With Neoprene Cushion, 1.38 Inch OD, SST	1
98	02-00010-01	Grease, Thermomastic, 6cc Syringe	1
99	42-00032-00	Tape, Insulation, Presstite, 2.00 x 30.00 Feet Long	1



**6.7 Refrigerant Piping Kits - Models 68RM35-604-50, -51, -54, -55, -56, -58, -60, -61, -62, -67, -68, -71, -74, -76, -77, -78, -83, -84, -87, -90, -91, -92, -93**

Kit 68RM35-111-23



Item	Part Number	Description	Qty
1	81-62012-00	Receiver Tank And Tubing Assembly - Includes:	1
2	AC901-580	Label, Sightglass <b>Wet/Dry</b>	1
3	AC101-203	Sightglass, Indicator, Moisture, 7/8-14	1
4	65-01093-00	Receiver Assembly, Plugged, Painted	1
5	14-00111-00	Sight Glass, Receiver (Red Ball Float)	1
6	40-00060-03	Elbow, Street, 90 Degree, 3/8 FPT x 3/8 MPT	1
7	14-01032-01	Plug, Fusible, Safety, 3/8 NPTF	1



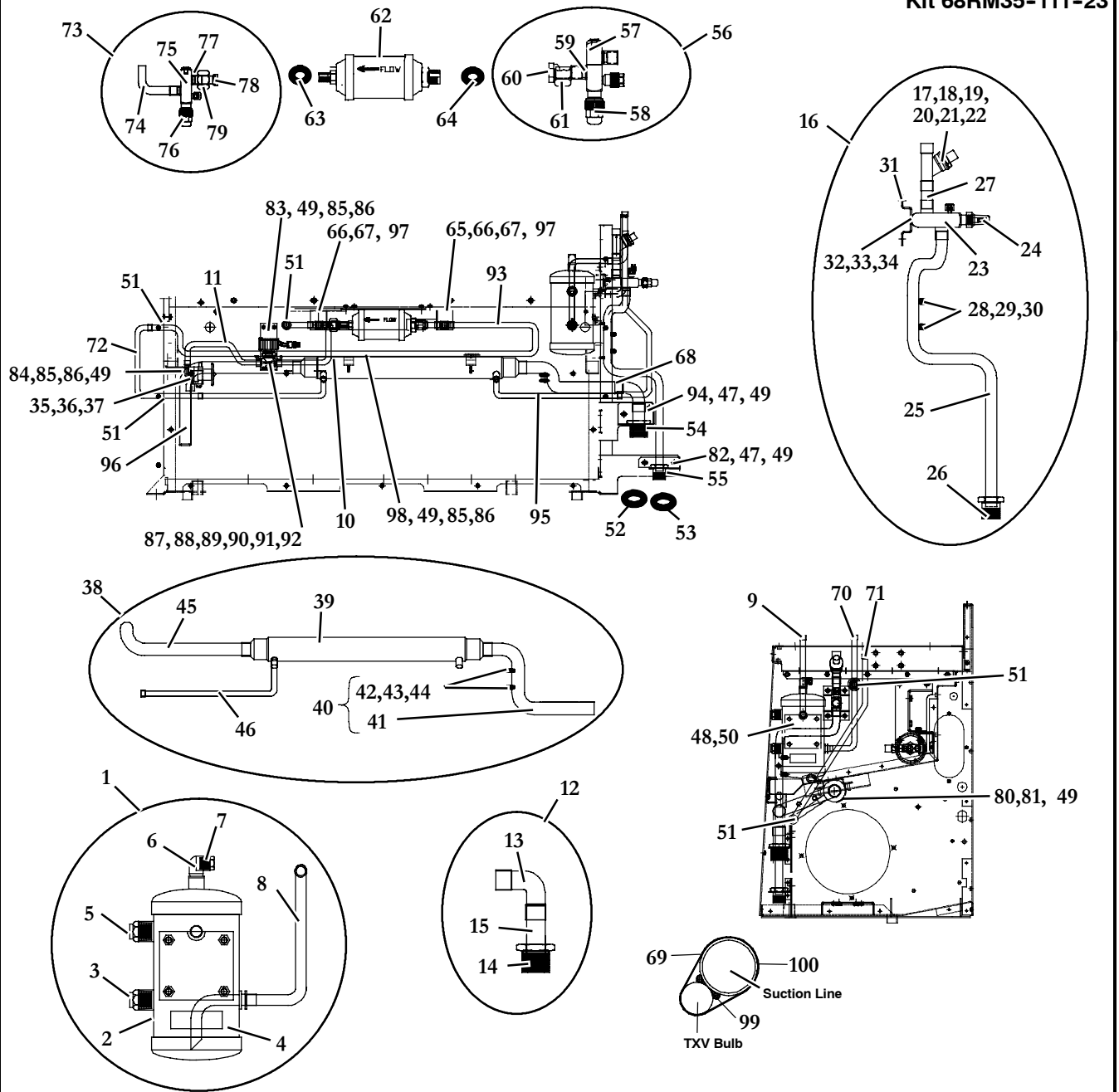
**6.7 Refrigerant Piping Kits - Models 68RM35-604-50, -51, -54, -55, -56, -58, -60, -61, -62, -67, -68, -71, -74, -76, -77, -78, -83, -84, -87, -90, -91, -92, -93**

Item	Part Number	Description	Qty
8	56-62064-00	Tube, Liquid, Bent, 5/8 OD x .040 Wall Copper	1
9	56-03839-00	Tube, Liquid, Bent, 5/8 OD x .040 Wall Copper	1
10	56-62089-00	Tube, Liquid, Bent, Solenoid Valve, 5/8 OD x .040 Wall Copper	1
11	56-62141-00	Tube, Liquid, Bent, 5/8 OD x .040 Wall Copper, Solenoid To TXV	1
12	81-62011-00	Tube Assembly, Suction, R-134a - Includes:	1
13	40-00071-19	Elbow, 90 Degree, Long Radius, Copper, 1-3/8 ODS	1
14	40-00491-04	Fitting, ORS, 1-3/8 ODF x 2-12	1
15	56-62120-00	Tube, Suction, Straight, 1-3/8 OD x .055 Wall x 2.84 Inches Long, Copper	1
16	81-62010-00	Tube Assembly, Discharge, R-134a - Includes:	1
17	14-00281-04	Valve, Check, 7/8 ODF - Includes:	1
18	14-50050-01	Spring And Piston/Seat Assembly - Includes:	1
19	73-50006-00	Spring, Check, Valve, SST	1
20	16-03301-00	Gasket, Check Valve	1
21	14-50093-00	Disk, Spacer, Check Valve Cap	1
22	14-50051-00	Cap, Check Valve	1
23	40-00501-07	Valve, King, Brass, 7/8 ODF	1
24	40-00501-50	Cap, King Valve, Service Part	1
25	56-62055-00	Tube, Discharge, Bent, 7/8 OD x .045 Wall Copper	1
26	40-00491-00	Fitting, ORS, 7/8 x 1 7/16-12	1
27	<b>99TS1445CK002100</b>	Tube, Discharge, Straight, 7/8 OD x .045 Wall x 2.12 Inches Long, Copper	1
28	40-01124-00	Body, Valve, Schrader, Brass 1/4 SAE Flare - Includes:	2
29	14-00351-00	Core, Access Valve (Nickel Plated)	1
30	DD19CA061	Cap, Seal, Flare, 1/4 Inch	1
31	68RM55-124P	Bracket Assembly, Valve Mounting, Painted	1
32	34-00855-04	Screw, Cap Hex Head, 3/8 -24 x 1/2 Inch Long, SST	1
33	34-00662-13	Washer, Flat, 3/8 Inch, SST	1
34	34-00663-13	Washer, Split Lock, 3/8 Inch, SST	1
35	56-62207-00	Tube Assembly, Equalizer, 1/4 OD x .028 Wall Copper	1
36	66U1-1214-5	Body, Flange, Thermal Expansion Valve, 5/8 ODF Inlet x 7/8 ODF Outlet	1
37	14-01104-35	Valve, Thermal Expansion, Less Flange, 5.5 Tons, R134A	1
38	81-62015-00	Heat Exchanger And Tubing Assembly, Liquid/Suction - Includes:	1
39	AC101-900	Heat Exchanger, Liquid/Suction	1
40	81-62013-00	Tube Assembly, Suction Heat Exchanger - Includes:	1
41	56-62057-00	Tube, Suction, Bent, 1-3/8 OD x .055W Copper	1
42	40-01124-00	Body, Valve, Schrader, Brass 1/4 SAE Flare - Includes:	2
43	14-00351-00	Core, Access Valve (Nickel Plated)	1
44	DD19CA061	Cap, Seal, Flare, 1/4 Inch	1
45	56-62158-00	Tube, Suction, Bent, 1-3/8 OD x .055W Copper	1
46	56-03838-00	Tube, Liquid, Bent, 5/8 OD x .040 Wall Copper	1
47	34-00655-08	Screw, Cap Hex Head, 1/4-20 x 1.00 Inch Long, SST	4
48	34-00807-08	Screw, Cap Hex Head, 3/8 -16 x 1.00 Inch Long, SST	4
49	34-00662-11	Washer, Flat, 1/4 Inch, SST	20



**6.7 Refrigerant Piping Kits - Models 68RM35-604-50, -51, -54, -55, -56, -58, -60, -61, -62, -67, -68, -71, -74, -76, -77, -78, -83, -84, -87, -90, -91, -92, -93 (Continued)**

**Kit 68RM35-111-23**



Item	Part Number	Description	Qty
50	34-00662-13	Washer, Flat, 3/8 Inch, SST	4
51	58-00065-85	Grommet, 0.88 ID x 1.12 Hole, 0.090 Inch Groove	5
52	42-00243-02	O-Ring, 1.484 ID x 0.139 Thick	1
53	42-00243-00	O-Ring, 0.921 ID x 0.139 Thick	1
54	34-06088-02	Nut, Hex Head, ORS 1.50 x 2.00-12, Plated Steel	1
55	34-06088-00	Nut, Hex Head, ORS 0.88 x 1.43 -12, Plated Steel	1
56	81-62053-00	Valve And Liquid Tubing Assembly - Includes:	1



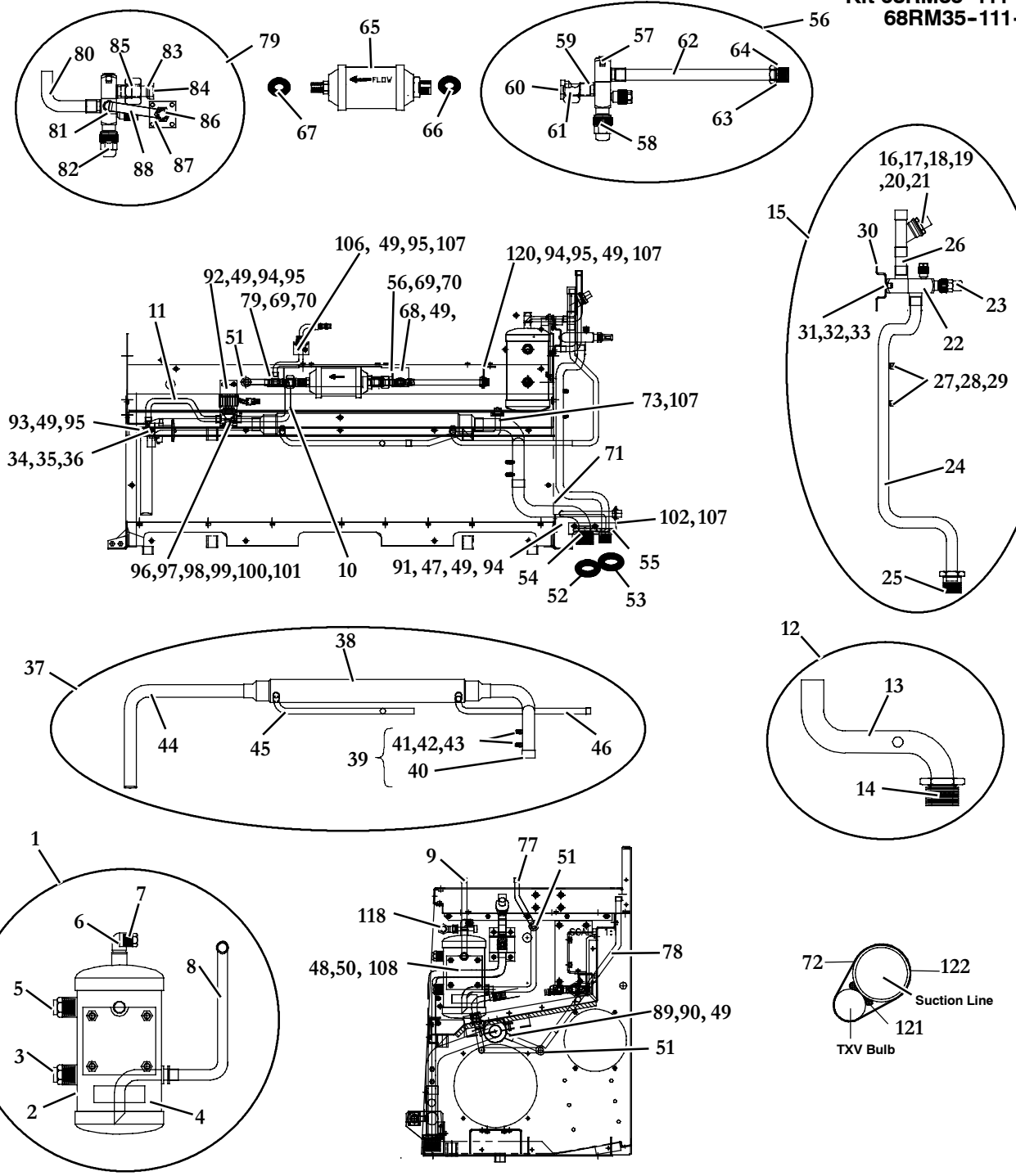
**6.7 Refrigerant Piping Kits - Models 68RM35-604-50, -51, -54, -55, -56, -58, -60, -61, -62, -67, -68, -71, -74, -76, -77, -78, -83, -84, -87, -90, -91, -92, -93 (Continued)**

Item	Part Number	Description	Qty
57	40-00501-05	Valve, King, Brass, 5/8 ODF	1
58	40-00501-50	Cap, King Valve, Service Part	1
59	56-00143-75	Tube, Straight, 5/8 OD x .040W Copper x 1.62 Inches Long	1
60	40-00503-04	Collar, Tube - 5/8 ORS, Nickel Plated Steel	1
61	34-06121-04	Nut, Hex, ORS Braze (1-3/16-12 Threads)	1
62	14-00320-00	Drier, Filter 3/4 ORS x 5/8 ORS - Includes:	1
63	42-00243-03	O-Ring, .614 ID x .070 Thick	1
64	42-00243-11	O-Ring, .739 ID x .070 Thick	1
65	68-62649-00	Bracket, Valve, Painted	1
66	34-00799-04	Screw, Cap Hex Head, 5/16-24 x 1/2 Inch Long, SST	2
67	34-00662-12	Washer, Flat, 5/16 Inch, SST	2
68	58-00065-88	Grommet, 0.88 ID x 1.12 Hole, 0.094 Inch Groove	1
69	44-00045-03	Clamp, Hose, Worm Type (7/8 - 1-3/4)	2
70	56-62065-00	Tube, Liquid, Bent, 5/8 OD x .040 Wall Copper	1
71	56-62060-00	Tube, Liquid, Bent, 5/8 OD x .040 Wall Copper	1
72	56-62163-00	Tube, Liquid, Bent, 5/8 OD x .040 Wall Copper	1
73	81-62081-00	Valve And Liquid Tubing Assembly - Includes:	1
74	56-03843-06	Tube, Liquid, Bent, 5/8 OD x .040 Wall Copper	1
75	40-00501-05	Valve, King, Brass, 5/8 ODF	1
76	40-00501-50	Cap, King Valve, Service Part	1
77	56-00143-74	Tube, Straight, 5/8 OD x .040W Copper x 1.84 Inches Long	1
78	40-00503-03	Collar, Tube - 5/8 ORS, Brass	1
79	34-06121-03	Nut, Hex, ORS, Braze (1-14 Threads)	1
80	68RM40-1188	Bracket, Heat Exchanger, SST	2
81	34-00667-61	Nut, Hex, Self-Locking, 1/4-20, SST	4
82	68-62307-00	Bracket, Support, Discharge Tube, Painted	1
83	68-62158-00	Bracket, Support, Solenoid Valve, Painted	1
84	68-62638-00	Bracket, Support, TXV, Painted	1
85	34-00663-11	Washer, Split Lock, 1/4 Inch, SST	10
86	34-00655-06	Screw, Cap Hex Head, 1/4-20 x 3/4 Inch Long, SST	12
87	14-00236-00	Valve, Solenoid, 5/8 ODF x 7/8 ODM - Includes:	1
88	14-00236-50	Coil, Solenoid Valve, 24 VDC	1
89	14-00236-51	Repair Kit, Solenoid Valve	1
90	34-00663-08	Washer, Split Lock, #8, SST	2
91	34-06264-04	Screw, Hex Head, Slotted With Washer, #8-32 x 1/2 Inch Long, SST	2
92	34-00662-08	Washer, Flat, #8, SST	2
93	56-62164-00	Tube, Liquid, Bent, 5/8 OD x .040 Wall Copper	1
94	68-62306-00	Bracket, Support, Suction Tube, Painted	1
95	56-03838-00	Tube, Liquid, Bent, 5/8 OD x .040 Wall Copper	1
96	56-62157-00	Tube, Suction, Bent, 1-3/8 OD x .055W Copper	1
97	34-00663-12	Washer, Split Lock, 5/16 Inch, SST	2
98	AC701-201	Clamp, Tube, Insulated, 5/8 Inch	4
99	02-00010-01	Grease, Thermomastic, 6cc Syringe	1
100	42-00032-00	Tape, Insulation, Pressite, 2.00 x 30.00 Feet Long	1



6.8 Refrigerant Piping Kits - Models 68RM35-604-52, -53, -64, -73, -80, -94

Kit 68RM35-111-26  
68RM35-111-27



Item	Part Number	Description	Qty
1	68RM35-558	Receiver Tank And Tubing Assembly - Includes:	1
2	AC901-580	Label, Sightglass <b>Wet/Dry</b>	1
3	AC101-203	Sightglass, Indicator, Moisture, 7/8-14	1
4	65-01093-00	Receiver Assembly, Plugged, Painted	1





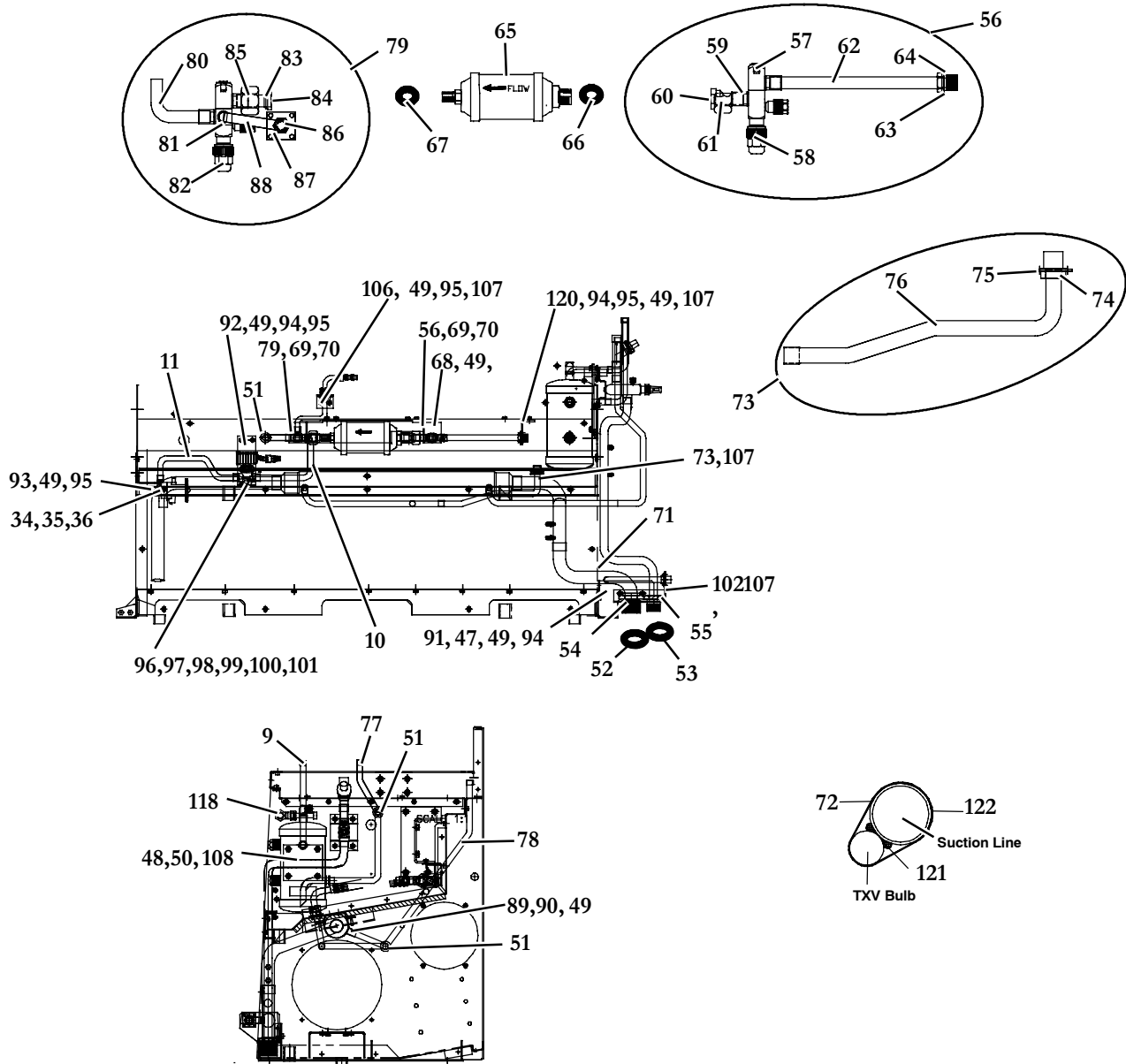
<b>6.8 Refrigerant Piping Kits - Models 68RM35-604-52, -53, -64, -73, -80, -94</b>			
<b>Item</b>	<b>Part Number</b>	<b>Description</b>	<b>Qty</b>
5	14-00111-00	Sight Glass, Receiver (Red Ball Float)	1
6	40-00060-03	Elbow, Street, 90 Degree, 3/8 FPT x 3/8 MPT	1
7	14-01032-01	Plug, Fusible, Safety, 3/8 NPTF	1
8	56-03834-00	Tube, Liquid, Bent, 5/8 OD x .040 Wall Copper	1
9	56-03839-00	Tube, Liquid, Bent, 5/8 OD x .040 Wall Copper	1
10	56-62089-00	Tube, Liquid, Bent, Solenoid Valve, 5/8 OD x .040 Wall Copper	1
11	56-62141-00	Tube, Liquid, Bent, 5/8 OD x .040 Wall Copper, Solenoid To TXV	1
12	81-62088-00	Tube Assembly, Suction, 68RM35-604-52, -64, -80, - Includes:	1
	68RM35-237-1	Tube Assembly, Suction, 68RM35-604-53, -73, -94 - Includes:	
13	56-03844-01	Tube, Suction, Bent, 1-3/8 OD x .055 Wall Copper	1
14	40-00491-06	Fitting, ORS, 1-3/8 ODF x 1-11/16-12, 68RM35-604-52, -64, -80	1
	40-00491-04	Fitting, ORS, 1-3/8 ODF x 2.00-12, 68RM35-604-53, -73, -94	
15	81-62096-00	Tube Assembly, Discharge, R-134a - Includes:	1
16	14-00281-04	Valve, Check, 7/8 ODF - Includes:	1
17	14-50050-01	Spring And Piston/Seat Assembly - Includes:	1
18	73-50006-00	Spring, Check, Valve, SST	1
19	16-03301-00	Gasket, Check Valve	1
20	14-50093-00	Disk, Spacer, Check Valve Cap	1
21	14-50051-00	Cap, Check Valve	1
22	40-00501-07	Valve, King, Brass, 7/8 ODF	1
23	40-00501-50	Cap, King Valve, Service Part	1
24	56-03833-00	Tube, Discharge, Bent, 7/8 OD x .045 Wall Copper	1
25	40-00491-00	Fitting, ORS, 7/8 x 1 7/16-12	1
26	<b>99TS1445CK002100</b>	Tube, Discharge, Straight, 7/8 OD x .045 Wall x 2.12 Inches Long, Copper	1
27	40-01124-00	Body, Valve, Schrader, Brass 1/4 SAE Flare - Includes:	2
28	14-00351-00	Core, Access Valve (Nickel Plated)	1
29	DD19CA061	Cap, Seal, Flare, 1/4 Inch	1
30	68RM55-124P	Bracket Assembly, Valve Mounting, Painted	1
31	34-00855-04	Screw, Cap Hex Head, 3/8 -24 x 1/2 Inch Long, SST	1
32	34-00663-13	Washer, Split Lock, 3/8 Inch, SST	1
33	34-00662-13	Washer, Flat, 3/8 Inch, SST	1
34	56-62207-00	Tube Assembly, Equalizer, 1/4 OD x .028 Wall Copper	1
35	66U1-1214-5	Body, Flange, Thermal Expansion Valve, 5/8 ODF Inlet x 7/8 ODF Outlet	1
36	14-01104-35	Valve, Thermal Expansion, Less Flange, 5.5 Tons, R134A	1
37	81-62092-00	Heat Exchanger And Tubing Assembly, Liquid/Suction - Includes:	1
38	AC101-900	Heat Exchanger, Liquid/Suction	1
39	68RM35-728	Tube Assembly, Suction Heat Exchanger - Includes:	1
40	56-03832-00	Tube, Suction, Bent, 1-3/8 OD x .055W Copper	1
41	40-01124-00	Body, Valve, Schrader, Brass 1/4 SAE Flare - Includes:	2
42	14-00351-00	Core, Access Valve (Nickel Plated)	1
43	DD19CA061	Cap, Seal, Flare, 1/4 Inch	1
44	56-03840-00	Tube, Suction, Bent, 1-3/8 OD x .055W Copper	1
45	56-62204-00	Tube, Liquid, Bent, 5/8 OD x .040 Wall Copper	1
46	56-03838-00	Tube, Liquid, Bent, 5/8 OD x .040 Wall Copper	1





6.8 Refrigerant Piping Kits - Models 68RM35-604-52, -53, -64, -73, -80, -94 (Continued)

Kit 68RM35-111-26  
68RM35-111-27



Item	Part Number	Description	Qty
47	34-00655-08	Screw, Cap Hex Head, 1/4-20 x 1.00 Inch Long, SST	2
48	34-00807-08	Screw, Cap Hex Head, 3/8 -16 x 1.00 Inch Long, SST	4
49	34-00662-11	Washer, Flat, 1/4 Inch, SST	18
50	34-00662-13	Washer, Flat, 3/8 Inch, SST	4
51	58-00065-85	Grommet, 0.88 ID x 1.12 Hole, 0.090 Inch Groove	3
52	42-00243-01	O-Ring, 1.171 ID x 0.139 Thick, 68RM35-604-52, -64, -80	1
	42-00243-02	O-Ring, 1.484 ID x 0.139 Thick, 68RM35-604-53, -73, -94	

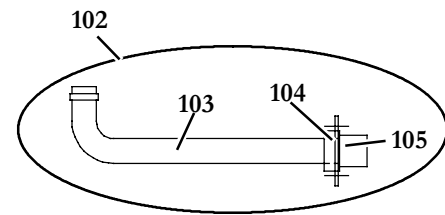
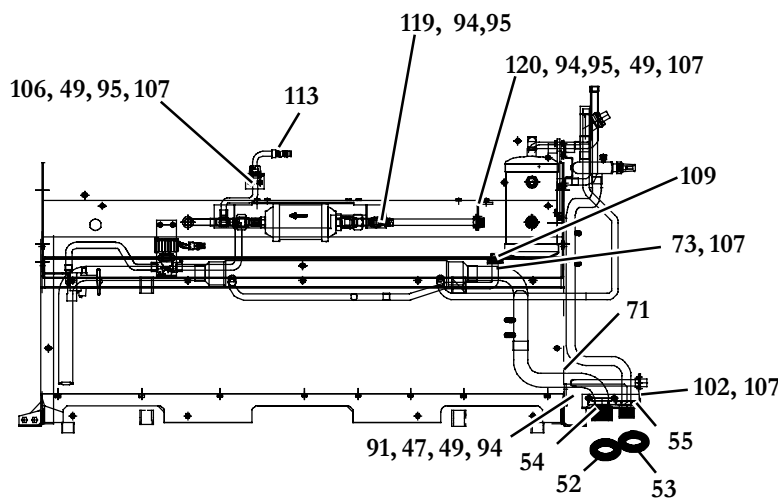
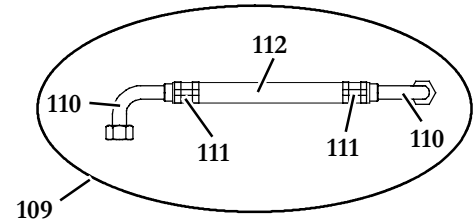
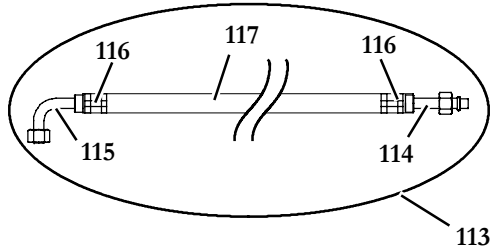


<b>6.8 Refrigerant Piping Kits - Models 68RM35-604-52, -53, -64, -73, -80, -94 (Continued)</b>			
<b>Item</b>	<b>Part Number</b>	<b>Description</b>	<b>Qty</b>
53	42-00243-00	O-Ring, 0.921 ID x 0.139 Thick	1
54	34-06088-01	Nut, Hex Head, ORS 1.125 x 1.69-12, Plated Steel, 68RM35-604-52, -64, -80	1
	34-06088-02	Nut, Hex Head, ORS 1.50 x 2.00-12, Plated Steel, 68RM35-604-53, -73, -94	
55	34-06088-00	Nut, Hex Head, ORS 0.88 x 1.43 -12, Plated Steel	1
56	81-62061-00	Valve And Liquid Tubing Assembly - Includes:	1
57	40-00501-05	Valve, King, Brass, 5/8 ODF	1
58	40-00501-50	Cap, King Valve, Service Part	1
59	56-00143-75	Tube, Straight, 5/8 OD x .040W Copper x 1.62 Inches Long	1
60	40-00503-04	Collar, Tube - 5/8 ORS, Nickel Plated Steel	1
61	34-06121-04	Nut, Hex, ORS Braze(1-3/16-12 Threads)	1
62	56-00143-37	Tube, Straight, 5/8 OD x .040W Copper x 9.19 Inches Long	1
63	40-62032-01	Fitting, Swivel Nut, 5/8 x 7/8-14 M.I.O.	1
64	68-62492-02	Plate, Tube Support, Brass	1
65	14-00320-00	Drier, Filter 3/4 ORS x 5/8 ORS - Includes:	1
66	42-00243-03	O-Ring, .614 ID x .070 Thick	1
67	42-00243-11	O-Ring, .739 ID x .070 Thick	1
68	68-62649-00	Bracket, Valve, Painted	1
69	34-00799-04	Screw, Cap Hex Head, 5/16-24 x 1/2 Inch Long, SST	2
70	34-00662-12	Washer, Flat, 5/16 Inch, SST	2
71	58-00065-88	Grommet, 0.88 ID x 1.12 Hole, 0.094 Inch Groove	1
72	44-00045-03	Clamp, Hose, Worm Type (7/8 - 1-3/4)	2
73	81-62091-00	Tube Assembly, Liquid, In-Dash - Includes:	1
74	56-62203-00	Tube, Liquid, Bent, 5/8 OD x .040 Wall Copper	1
75	40-62032-01	Fitting, Swivel Nut, 5/8 x 7/8-14 M.I.O.	1
76	68-62492-02	Plate, Tube Support, Brass	1
77	56-03832-00	Tube, Liquid, Bent, 5/8 OD x .040 Wall Copper	1
78	56-62035-00	Tube, Liquid, Bent, 5/8 OD x .040 Wall Copper	1
79	81-62087-00	Valve And Liquid Tubing Assembly - Includes:	1
80	56-03843-06	Tube, Liquid, Bent, 5/8 OD x .040 Wall Copper	1
81	40-62028-00	Valve, King, Brass, 5/8 ODF x 5/8 ODF x 1/2 ODF	1
82	40-00501-50	Cap, King Valve, Service Part	1
83	56-00143-74	Tube, Straight, 5/8 OD x .040W Copper x 1.84 Inches Long	1
84	40-00503-03	Collar, Tube - 5/8 ORS, Brass	1
85	34-06121-03	Nut, Hex, ORS, Braze (1-14 Threads)	1
86	40-62032-02	Fitting, Swivel Nut, 1/2 x 3/4-16 M.I.O.	1
87	68-62492-00	Plate, Tube Support, Brass	1
88	56-62093-00	Tube, Liquid, Bent, 1/2 OD x .035 Wall Copper	1
89	68RM40-1188	Bracket, Heat Exchanger, SST	2
90	34-00667-61	Nut, Hex, Self-Locking, 1/4-20, SST	2
91	86-62224-00	Bracket Assembly, Support, Suction And Discharge Tube, Painted, 68RM35-604-52, -64, -80	1
	86-62157-00	Bracket Assembly, Support, Suction And Discharge Tube, Painted, 68RM35-604-53, -73, -94	



6.8 Refrigerant Piping Kits - Models 68RM35-604-52, -53, -64, -73, -80, -94 (Continued)

Kit 68RM35-111-26  
68RM35-111-27



Item	Part Number	Description	Qty
92	68-62158-00	Bracket, Support, Solenoid Valve, Painted	1
93	68-62638-00	Bracket, Support, TXV, Painted	1
94	34-00663-11	Washer, Split Lock, 1/4 Inch, SST	16
95	34-00655-06	Screw, Cap Hex Head, 1/4-20 x 0.75 Inch Long, SST	16
96	14-00236-00	Valve, Solenoid, 5/8 ODF x 7/8 ODM - Includes:	1
97	14-00236-50	Coil, Solenoid Valve, 24 VDC	1
98	14-00236-51	Repair Kit, Solenoid Valve	1

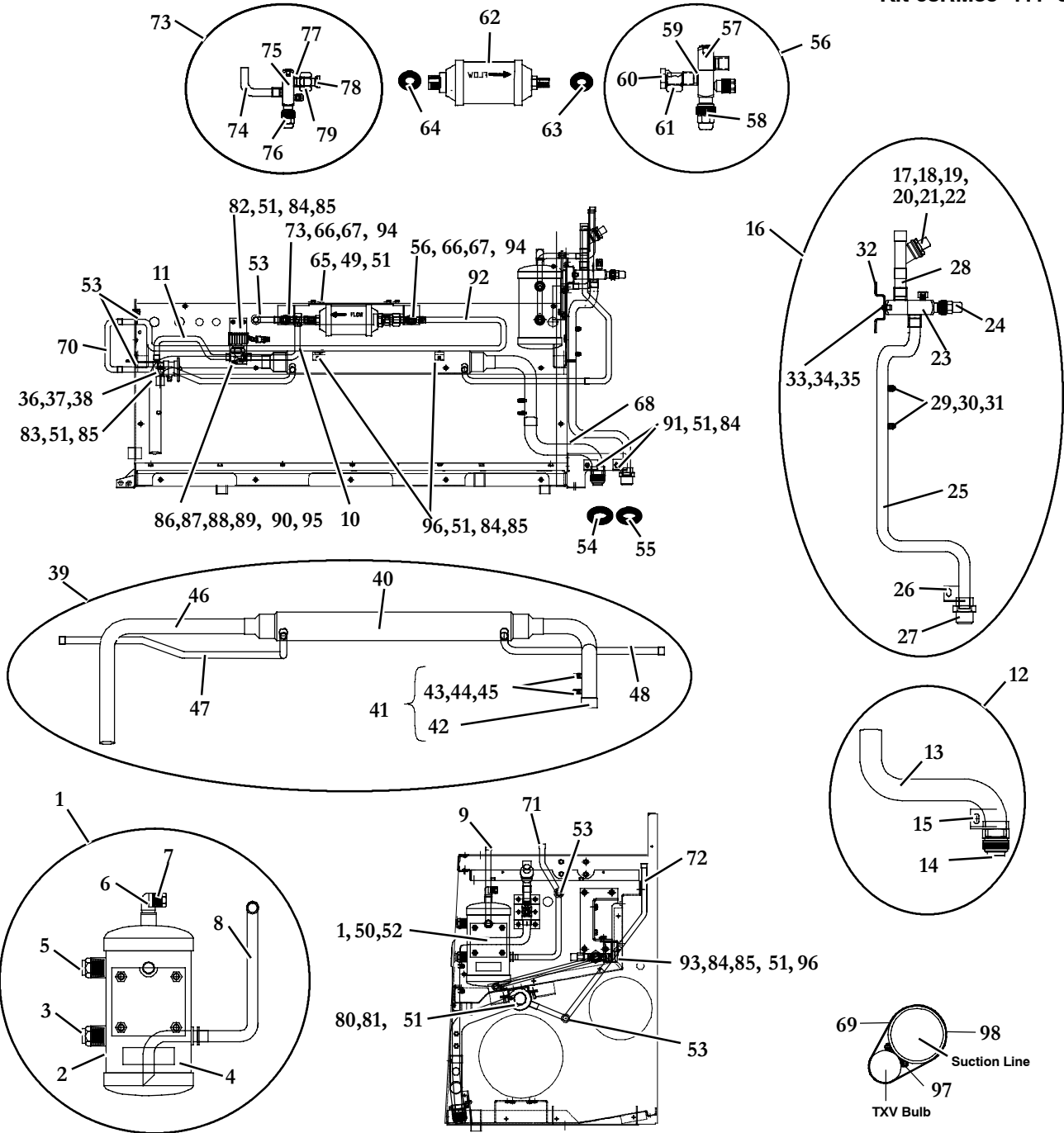


<b>6.8 Refrigerant Piping Kits - Models 68RM35-604-52, -53, -64, -73, -80, -94 (Continued)</b>			
<b>Item</b>	<b>Part Number</b>	<b>Description</b>	<b>Qty</b>
99	34-00663-08	Washer, Split Lock, #8, SST	2
100	34-06264-03	Screw, Hex Head, Slotted With Washer, #8-32 x 0.375 Inch Long, SST	2
101	34-00662-08	Washer, Flat, #8, SST	2
102	81-62054-00	Tube Assembly, Suction, In-Dash - Includes:	1
103	56-62128-00	Tube, Suction, Bent, 5/8 OD x .040 Wall Copper	1
104	40-62032-01	Fitting, Swivel Nut, 5/8 x 7/8-14 M.I.O.	1
105	68-62492-02	Plate, Tube Support, Brass	1
106	68-62504-00	Bracket, Support, Tube, Painted	1
107	AC701-400	Rivet, Pop, 3/16 Inch	10
108	34-00663-13	Washer, Split Lock, 3/8 Inch, SST	4
109	58-62021-00	Hose Assembly, Liquid, In-Dash - Includes:	1
110	40-60061-07	Fitting, 90 Degree, 5/8 FeMale O-Ring x #12 Hose	2
111	34-60019-05	Clamp, Hose, Quick-Click, #12	2
112	58-60115-05F50	Hose, #12 (50 Feet Roll)	1
113	58-62022-00	Hose Assembly, Liquid, In-Dash - Includes:	1
114	40-60060-06	Fitting, Straight, 1/2 FeMale O-Ring x #10 Hose	1
115	40-60061-06	Fitting, 90 Degree, 1/2 FeMale O-Ring x #10 Hose	1
116	34-60019-04	Clamp, Hose, Quick-Click, #10	2
117	58-60115-04F50	Hose, #10 (50 Feet Roll)	1
118	40-62041-00	Fitting, 90 Degree, BulkHead, #8 M.I.O. x #8 M.I.O.	1
119	34-00373-13	Clamp, Tube, Neoprene Cushion, 1.00 Inch Diameter	2
120	68-62504-02	Bracket, Support, Tube, Painted	1
121	02-00010-01	Grease, Thermomastic, 6cc Syringe	1
122	42-00032-01	Tape, Insulation, Presssite, 2.00 x 48.00 Inches Long	1



6.9 Refrigerant Piping Kits - Models 68RM35-604-59, -63, -66, -69, -70, -75, -79, -82, -85, -86

Kit 68RM35-111-31



Item	Part Number	Description	Qty
1	68RM35-558	Receiver Tank And Tubing Assembly - Includes:	1
2	AC901-580	Label, Sightglass <b>Wet/Dry</b>	1
3	AC101-203	Sightglass, Indicator, Moisture, 7/8-14	1
4	65-01093-00	Receiver Assembly, Plugged, Painted	1
5	14-00111-00	Sight Glass, Receiver (Red Ball Float)	1
6	40-00060-03	Elbow, Street, 90 Degree, 3/8 FPT x 3/8 MPT	1
7	14-01032-01	Plug, Fusible, Safety, 3/8 NPTF	1

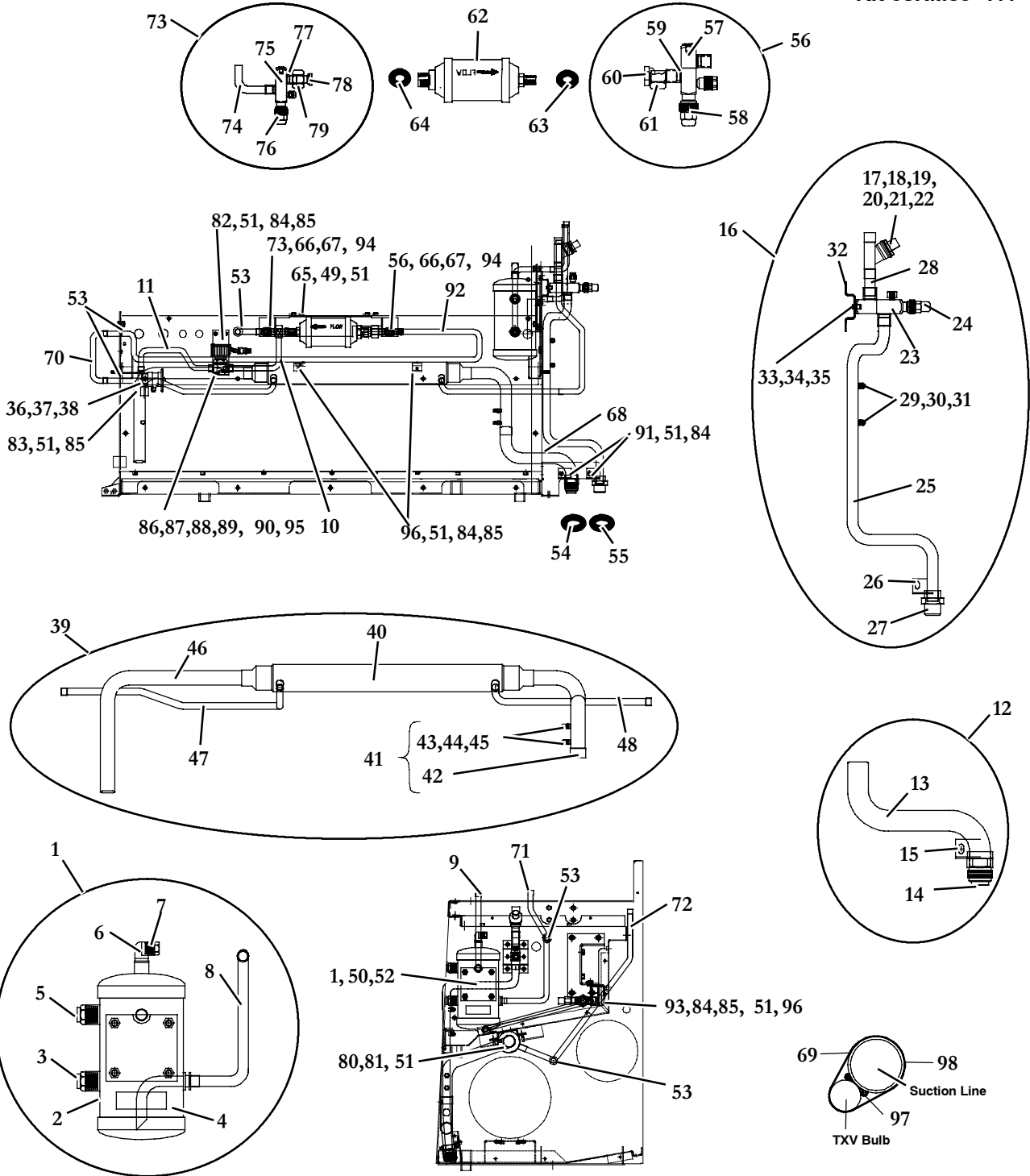


<b>6.9 Refrigerant Piping Kits - Models 68RM35-604-59, -63, -66, -69, -70, -75, -79, -82, -85, -86</b>			
<b>Item</b>	<b>Part Number</b>	<b>Description</b>	<b>Qty</b>
8	56-03834-00	Tube, Liquid, Bent, 5/8 OD x .040 Wall Copper	1
9	56-03839-00	Tube, Liquid, Bent, 5/8 OD x .040 Wall Copper	1
10	56-62089-00	Tube, Liquid, Bent, Solenoid Valve, 5/8 OD x .040 Wall Copper	1
11	56-62141-00	Tube, Liquid, Bent, 5/8 OD x .040 Wall Copper, Solenoid To TXV	1
12	68RM35-167	Tube Assembly, Suction, R-134a - Includes:	1
13	56-62040-00	Tube, Suction, Bent, 1-3/8 OD x .055 Wall Copper	1
14	66U1-1003-19	Adapter, JIC, 1-3/8 ODF x 1-7/8-12 Flare	1
15	68RM35-1242-2	Bracket, Support, Suction Line	1
16	68RM35-538	Tube Assembly, Discharge, R-134a - Includes:	1
17	14-00281-04	Valve, Check, 7/8 ODF - Includes:	1
18	14-50050-01	Spring And Piston/Seat Assembly - Includes:	1
19	73-50006-00	Spring, Check, Valve, SST	1
20	16-03301-00	Gasket, Check Valve	1
21	14-50093-00	Disk, Spacer, Check Valve Cap	1
22	14-50051-00	Cap, Check Valve	1
23	40-00501-07	Valve, King, Brass, 7/8 ODF	1
24	40-00501-50	Cap, King Valve, Service Part	1
25	56-03836-00	Tube, Discharge, Bent, 7/8 OD x .045 Wall Copper	1
26	68RM35-1242	Bracket, Support, Discharge Line	1
27	DE07DA608	Adapter, JIC, 7/8 ODF x 1-5/16-12 Flare	1
28	<b>99TS1445CK002100</b>	Tube, Discharge, Straight, 7/8 OD x .045 Wall x 2.12 Inches Long, Copper	1
29	40-01124-00	Body, Valve, Schrader, Brass 1/4 SAE Flare - Includes:	2
30	14-00351-00	Core, Access Valve (Nickel Plated)	1
31	DD19CA061	Cap, Seal, Flare, 1/4 Inch	1
32	68RM55-124P	Bracket Assembly, Valve Mounting, Painted	1
33	34-00855-04	Screw, Cap Hex Head, 3/8 -24 x 1/2 Inch Long, SST	1
34	34-00663-13	Washer, Split Lock, 3/8 Inch, SST	1
35	34-00662-13	Washer, Flat, 3/8 Inch, SST	1
36	56-62207-00	Tube Assembly, Equalizer, 1/4 OD x .028 Wall Copper	1
37	66U1-1214-5	Body, Flange, Thermal Expansion Valve, 5/8 ODF Inlet x 7/8 ODF Outlet	1
38	14-01104-35	Valve, Thermal Expansion, Less Flange, 5.5 Tons, R134A	1
39	68RM35-548	Heat Exchanger And Tubing Assembly, Liquid/Suction - Includes:	1
40	AC101-900	Heat Exchanger, Liquid/Suction	1
41	68RM35-728	Tube Assembly, Suction Heat Exchanger - Includes:	1
42	56-03832-00	Tube, Suction, Bent, 1-3/8 OD x .055W Copper	1
43	40-01124-00	Body, Valve, Schrader, Brass 1/4 SAE Flare - Includes:	2
44	14-00351-00	Core, Access Valve (Nickel Plated)	1
45	DD19CA061	Cap, Seal, Flare, 1/4 Inch	1
46	56-03840-00	Tube, Suction, Bent, 1-3/8 OD x .055W Copper	1
47	56-03842-00	Tube, Liquid, Bent, 5/8 OD x .040 Wall Copper	1
48	56-03838-00	Tube, Liquid, Bent, 5/8 OD x .040 Wall Copper	1
49	34-00655-08	Screw, Cap Hex Head, 1/4-20 x 1.00 Inch Long, SST	6
50	34-00807-08	Screw, Cap Hex Head, 3/8 -16 x 1.00 Inch Long, SST	4
51	34-00662-11	Washer, Flat, 1/4 Inch, SST	21



6.9 Refrigerant Piping Kits - Models 68RM35-604-59, -63, -66, -69, -70, -75, -79, -82, -85, -86 (Continued)

Kit 68RM35-111-31



Item	Part Number	Description	Qty
52	34-00662-13	Washer, Flat, 3/8 Inch, SST	4
53	58-00065-85	Grommet, 0.88 ID x 1.12 Hole, 0.090 Inch Groove	5
54	KK71GW015	O-Ring, 1.305 ID x 0.106 Thick	1



**6.9 Refrigerant Piping Kits - Models 68RM35-604-59, -63, -66, -69, -70, -75, -79, -82, -85, -86 (Continued)**

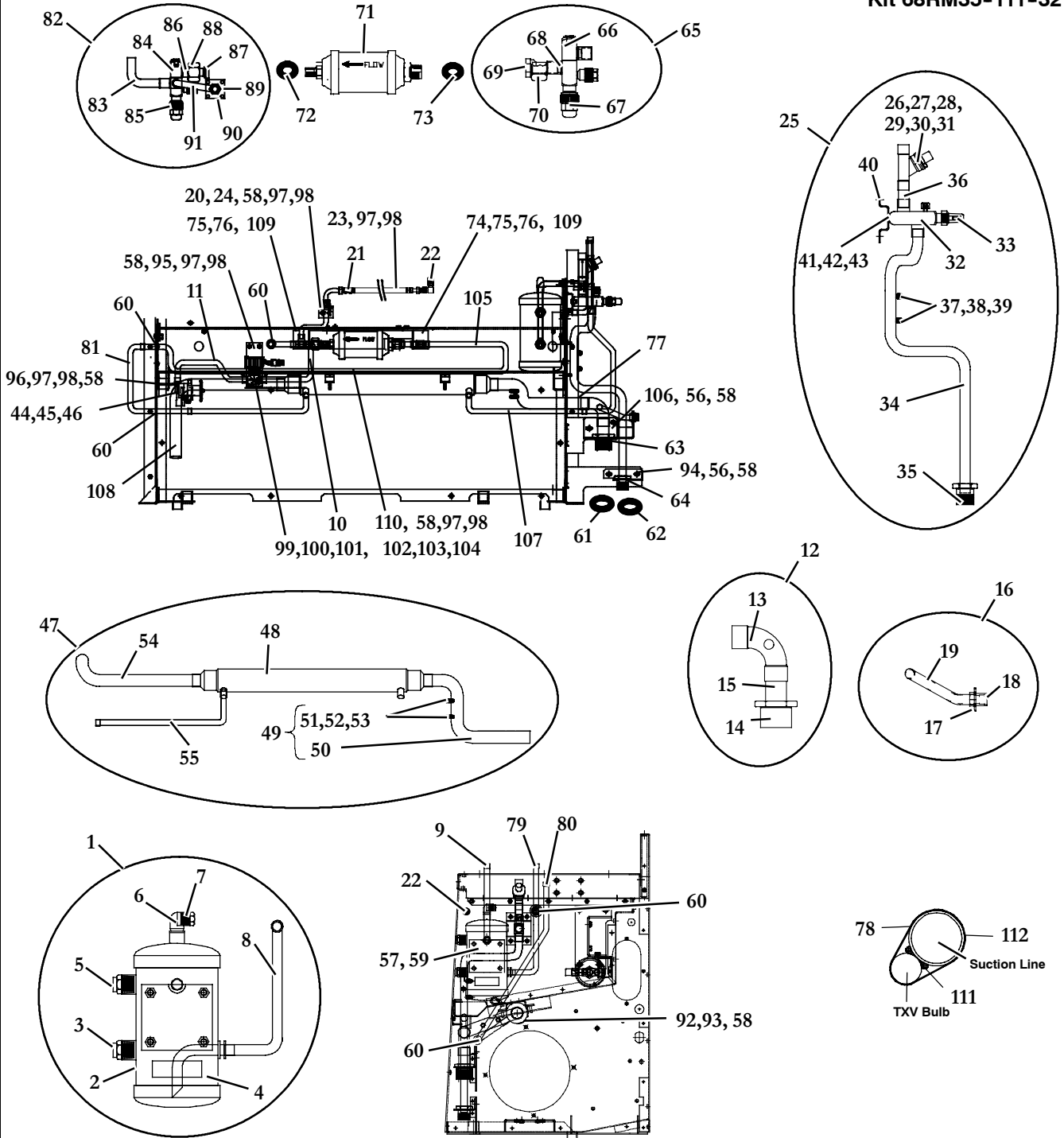
Item	Part Number	Description	Qty
55	KK71JV010	O-Ring, 0.88 x 1.00 x 0.06	1
56	81-62053-00	Valve And Liquid Tubing Assembly - Includes:	1
57	40-00501-05	Valve, King, Brass, 5/8 ODF	1
58	40-00501-50	Cap, King Valve, Service Part	1
59	56-00143-75	Tube, Straight, 5/8 OD x .040W Copper x 1.62 Inches Long	1
60	40-00503-04	Collar, Tube - 5/8 ORS, Nickel Plated Steel	1
61	34-06121-04	Nut, Hex, ORS Braze (1-3/16-12 Threads)	1
62	14-00320-00	Drier, Filter 3/4 ORS x 5/8 ORS - Includes:	1
63	42-00243-03	O-Ring, .614 ID x .070 Thick	1
64	42-00243-11	O-Ring, .739 ID x .070 Thick	1
65	68-62649-00	Bracket, Valve, Painted	1
66	34-00799-04	Screw, Cap Hex Head, 5/16-24 x 1/2 Inch Long, SST	2
67	34-00662-12	Washer, Flat, 5/16 Inch, SST	2
68	58-00065-88	Grommet, 0.88 ID x 1.12 Hole, 0.094 Inch Groove	1
69	44-00045-03	Clamp, Hose, Worm Type (7/8 - 1-3/4)	2
70	68RM35-1157	Tube, Liquid, Bent, 5/8 OD x .040 Wall Copper	1
71	56-03832-00	Tube, Liquid, Bent, 5/8 OD x .040 Wall Copper	1
72	56-62035-00	Tube, Liquid, Bent, 5/8 OD x .040 Wall Copper	1
73	81-62081-00	Valve And Liquid Tubing Assembly - Includes:	1
74	56-03843-06	Tube, Liquid, Bent, 5/8 OD x .040 Wall Copper	1
75	40-00501-05	Valve, King, Brass, 5/8 ODF	1
76	40-00501-50	Cap, King Valve, Service Part	1
77	56-00143-74	Tube, Straight, 5/8 OD x .040W Copper x 1.84 Inches Long	1
78	40-00503-03	Collar, Tube - 5/8 ORS, Brass	1
79	34-06121-03	Nut, Hex, ORS, Braze (1-14 Threads)	1
80	68RM40-1188	Bracket, Heat Exchanger, SST	2
81	34-00667-61	Nut, Hex, Self-Locking, 1/4-20, SST	6
82	68-62158-00	Bracket, Support, Solenoid Valve, Painted	1
83	68-62638-00	Bracket, Support, TXV, Painted	1
84	34-00663-11	Washer, Split Lock, 1/4 Inch, SST	9
85	34-00655-06	Screw, Cap Hex Head, 1/4-20 x 3/4 Inch Long, SST	11
86	14-00236-00	Valve, Solenoid, 5/8 ODF x 7/8 ODM - Includes:	1
87	14-00236-50	Coil, Solenoid Valve, 24 VDC	1
88	14-00236-51	Repair Kit, Solenoid Valve	1
89	34-00663-08	Washer, Split Lock, #8, SST	2
90	34-06264-04	Screw, Hex Head, Slotted With Washer, #8-32 x 1/2 Inch Long, SST	2
91	34-00655-04	Screw, Cap Hex Head, 1/4-20 x 1/2 Inch Long, SST	2
92	56-62127-00	Tube, Liquid, Bent, 5/8 OD x .040 Wall Copper	1
93	68-62505-00	Bracket Assembly, Painted	1
94	34-00663-12	Washer, Split Lock, 5/16 Inch, SST	2
95	34-00662-08	Washer, Flat, #8, SST	2
96	AC701-201	Clamp, Tube, Insulated, 5/8 Inch	4
97	02-00010-01	Grease, Thermomastic, 6cc Syringe	1
98	42-00032-00	Tape, Insulation, Presssite, 2.00 x 30.00 Feet Long	1





6.10 Refrigerant Piping Kits - Models 68RM35-604-88, -95

Kit 68RM35-111-32



Item	Part Number	Description	Qty
1	81-62012-00	Receiver Tank And Tubing Assembly - Includes:	1
2	AC901-580	Label, Sightglass <b>Wet/Dry</b>	1
3	AC101-203	Sightglass, Indicator, Moisture, 7/8-14	1
4	65-01093-00	Receiver Assembly, Plugged, Painted	1
5	14-00111-00	Sight Glass, Receiver (Red Ball Float)	1

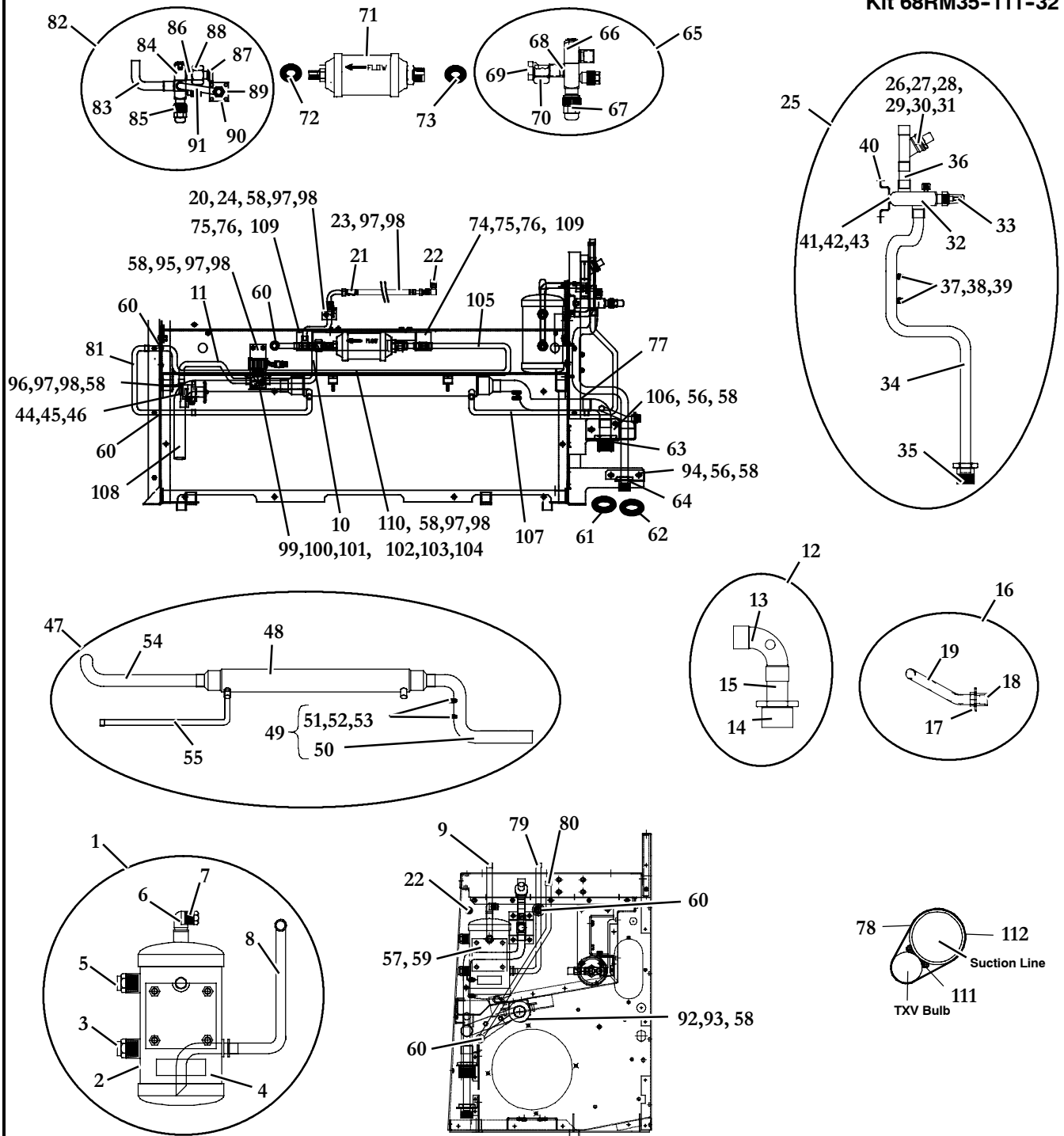


<b>6.10 Refrigerant Piping Kits - Models 68RM35-604-88, -95</b>			
<b>Item</b>	<b>Part Number</b>	<b>Description</b>	<b>Qty</b>
6	40-00060-03	Elbow, Street, 90 Degree, 3/8 FPT x 3/8 MPT	1
7	14-01032-01	Plug, Fusible, Safety, 3/8 NPTF	1
8	56-62064-00	Tube, Liquid, Bent, 5/8 OD x .040 Wall Copper	1
9	56-03839-00	Tube, Liquid, Bent, 5/8 OD x .040 Wall Copper	1
10	56-62089-00	Tube, Liquid, Bent, Solenoid Valve, 5/8 OD x .040 Wall Copper	1
11	56-62141-00	Tube, Liquid, Bent, 5/8 OD x .040 Wall Copper, Solenoid To TXV	1
12	81-62011-01	Tube Assembly, Suction, R-134a, In-Dash - Includes:	1
13	40-00071-19	Elbow, 90 Degree, Long Radius, Copper, 1-3/8 ODS	1
14	40-00491-04	Fitting, ORS, 1-3/8 ODF x 2-12	1
15	56-62120-00	Tube, Suction, Straight, 1-3/8 OD x .055 Wall x 2.84 Inches Long, Copper	1
16	81-02655-00	Tube Assembly, Suction. In-Dash - Includes:	1
17	68-62492-02	Plate, Swivel Nut, Brass	1
18	40-62032-01	Fitting, Swivel Nut, 5/8 x 7/8-14 M.I.O.	1
19	56-03903-00	Tube, Bent, Suction, In-Dash, 5/8 OD x .040 Wall Copper	1
20	AC701-400	Rivet, Pop, 3/16 Inch	4
21	58-62022-00	Hose Assembly, Liquid In-Dash, #10 Ecofrigo	1
22	40-62041-00	Fitting, 90 Degree, Bulkhead, #8 M.I.O. x #8 M.I.O.	1
23	34-00373-13	Clamp, Tube, Neoprene Cushion, 1.00 Inch Diameter	2
24	68-62504-02	Bracket, Support, In-Dash, Painted	1
25	81-62010-00	Tube Assembly, Discharge, R-134a - Includes:	1
26	14-00281-04	Valve, Check, 7/8 ODF - Includes:	1
27	14-50050-01	Spring And Piston/Seat Assembly - Includes:	1
28	73-50006-00	Spring, Check, Valve, SST	1
29	16-03301-00	Gasket, Check Valve	1
30	14-50093-00	Disk, Spacer, Check Valve Cap	1
31	14-50051-00	Cap, Check Valve	1
32	40-00501-07	Valve, King, Brass, 7/8 ODF	1
33	40-00501-50	Cap, King Valve, Service Part	1
34	56-62055-00	Tube, Discharge, Bent, 7/8 OD x .045 Wall Copper	1
35	40-00491-00	Fitting, ORS, 7/8 x 1 7/16-12	1
36	<b>99TS1445CK002100</b>	Tube, Discharge, Straight, 7/8 OD x .045 Wall x 2.12 Inches Long, Copper	1
37	40-01124-00	Body, Valve, Schrader, Brass 1/4 SAE Flare - Includes:	2
38	14-00351-00	Core, Access Valve (Nickel Plated)	1
39	DD19CA061	Cap, Seal, Flare, 1/4 Inch	1
40	68RM55-124P	Bracket Assembly, Valve Mounting, Painted	1
41	34-00855-04	Screw, Cap Hex Head, 3/8 -24 x 1/2 Inch Long, SST	1
42	34-00662-13	Washer, Flat, 3/8 Inch, SST	1
43	34-00663-13	Washer, Split Lock, 3/8 Inch, SST	1
44	56-62207-00	Tube Assembly, Equalizer, 1/4 OD x .028 Wall Copper	1
45	66U1-1214-5	Body, Flange, Thermal Expansion Valve, 5/8 ODF Inlet x 7/8 ODF Outlet	1
46	14-01104-35	Valve, Thermal Expansion, Less Flange, 5.5 Tons, R134A	1
47	81-62015-00	Heat Exchanger And Tubing Assembly, Liquid/Suction - Includes:	1
48	AC101-900	Heat Exchanger, Liquid/Suction	1



6.10 Refrigerant Piping Kits - Models 68RM35-604-88, -95

Kit 68RM35-111-32



Item	Part Number	Description	Qty
49	81-62013-00	Tube Assembly, Suction Heat Exchanger - Includes:	1
50	56-62057-00	Tube, Suction, Bent, 1-3/8 OD x .055W Copper	1
51	40-01124-00	Body, Valve, Schrader, Brass 1/4 SAE Flare - Includes:	2
52	14-00351-00	Core, Access Valve (Nickel Plated)	1
53	DD19CA061	Cap, Seal, Flare, 1/4 Inch	1



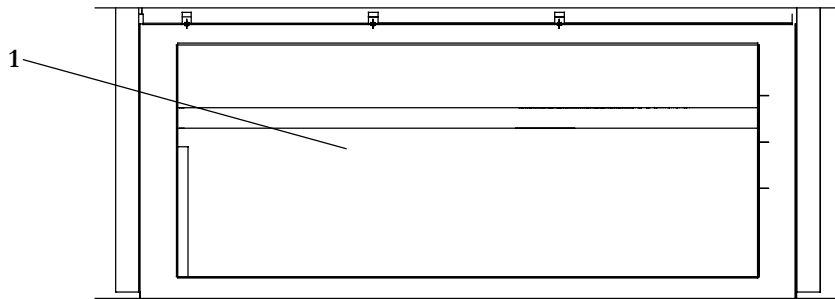
<b>6.10 Refrigerant Piping Kits - Models 68RM35-604-88, -95</b>			
<b>Item</b>	<b>Part Number</b>	<b>Description</b>	<b>Qty</b>
54	56-62158-00	Tube, Suction, Bent, 1-3/8 OD x .055W Copper	1
55	56-03838-00	Tube, Liquid, Bent, 5/8 OD x .040 Wall Copper	1
56	34-00655-08	Screw, Cap Hex Head, 1/4-20 x 1.00 Inch Long, SST	4
57	34-00807-08	Screw, Cap Hex Head, 3/8 -16 x 1.00 Inch Long, SST	4
58	34-00662-11	Washer, Flat, 1/4 Inch, SST	20
59	34-00662-13	Washer, Flat, 3/8 Inch, SST	4
60	58-00065-85	Grommet, 0.88 ID x 1.12 Hole, 0.090 Inch Groove	5
61	42-00243-02	O-Ring, 1.484 ID x 0.139 Thick	1
62	42-00243-00	O-Ring, 0.921 ID x 0.139 Thick	1
63	34-06088-02	Nut, Hex Head, ORS 1.50 x 2.00-12, Plated Steel	1
64	34-06088-00	Nut, Hex Head, ORS 0.88 x 1.43 -12, Plated Steel	1
65	81-62053-00	Valve And Liquid Tubing Assembly - Includes:	1
66	40-00501-05	Valve, King, Brass, 5/8 ODF	1
67	40-00501-50	Cap, King Valve, Service Part	1
68	56-00143-75	Tube, Straight, 5/8 OD x .040W Copper x 1.62 Inches Long	1
69	40-00503-04	Collar, Tube - 5/8 ORS, Nickel Plated Steel	1
70	34-06121-04	Nut, Hex, ORS Braze (1-3/16-12 Threads)	1
71	14-00320-00	Drier, Filter 3/4 ORS x 5/8 ORS - Includes:	1
72	42-00243-03	O-Ring, .614 ID x .070 Thick	1
73	42-00243-11	O-Ring, .739 ID x .070 Thick	1
74	68-62649-00	Bracket, Valve, Painted	1
75	34-00799-04	Screw, Cap Hex Head, 5/16-24 x 1/2 Inch Long, SST	2
76	34-00662-12	Washer, Flat, 5/16 Inch, SST	2
77	58-00065-88	Grommet, 0.88 ID x 1.12 Hole, 0.094 Inch Groove	1
78	44-00045-03	Clamp, Hose, Worm Type (7/8 - 1-3/4)	2
79	56-62065-00	Tube, Liquid, Bent, 5/8 OD x .040 Wall Copper	1
80	56-62060-00	Tube, Liquid, Bent, 5/8 OD x .040 Wall Copper	1
81	56-62163-00	Tube, Liquid, Bent, 5/8 OD x .040 Wall Copper	1
82	81-62087-00	Valve And Liquid Tubing Assembly - Includes:	1
83	56-03843-06	Tube, Liquid, Bent, 5/8 OD x .040 Wall Copper	1
84	40-63028-00	Valve, King, Brass, 5/8 ODF	1
85	40-00501-50	Cap, King Valve, Service Part	1
86	56-00143-74	Tube, Straight, 5/8 OD x .040W Copper x 1.84 Inches Long	1
87	40-00503-03	Collar, Tube - 5/8 ORS, Brass	1
88	34-06121-03	Nut, Hex, ORS, Braze (1-14 Threads)	1
89	40-62032-02	Fitting, Swivel Nut, 1/2 x 3/4-16 M.I.O.	1
90	68-62492-00	Plate, Swivel Nut, Brass	1
91	56-62093-00	Tube, Bent, Liquid, In-Dash, 1/2 OD x .035 Wall Copper	1
92	68RM40-1188	Bracket, Heat Exchanger, SST	2
93	34-00667-61	Nut, Hex, Self-Locking, 1/4-20, SST	4
94	68-62307-00	Bracket, Support, Discharge Tube, Painted	1
95	68-62158-00	Bracket, Support, Solenoid Valve	1
96	68-62638-00	Bracket, Support, TXV	1
97	34-00663-11	Washer, Split Lock, 1/4 Inch, SST	10



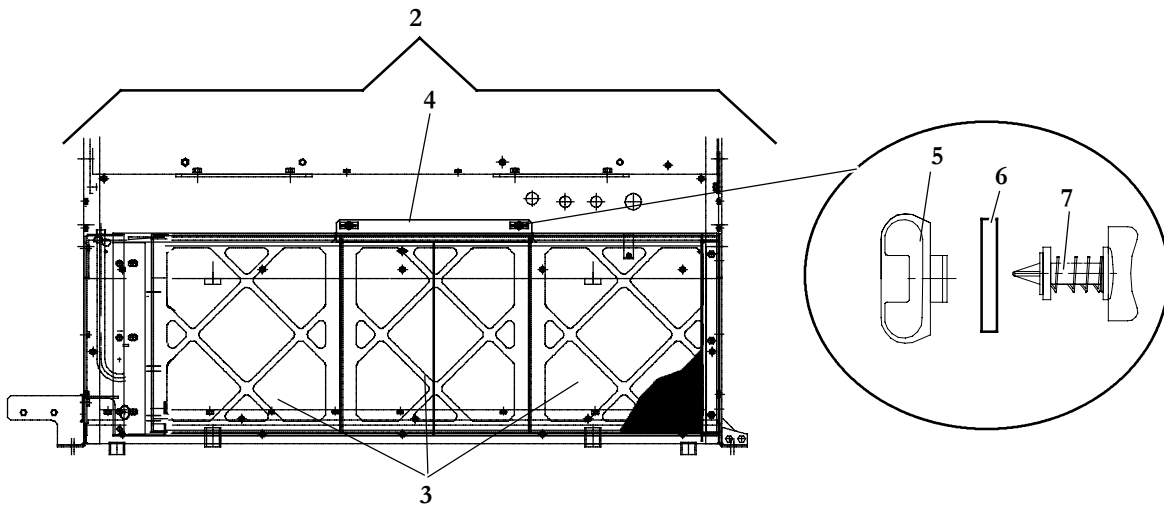
<b>6.10 Refrigerant Piping Kits - Models 68RM35-604-88, -95</b>			
<b>Item</b>	<b>Part Number</b>	<b>Description</b>	<b>Qty</b>
98	34-00655-06	Screw, Cap Hex Head, 1/4-20 x 3/4 Inch Long, SST	12
99	14-00236-00	Valve, Solenoid, 5/8 ODF x 7/8 ODM - Includes:	1
100	14-00236-50	Coil, Solenoid Valve, 24 VDC	1
101	14-00236-51	Repair Kit, Solenoid Valve	1
102	34-00663-08	Washer, Split Lock, #8, SST	2
103	34-06264-04	Screw, Hex Head, Slotted With Washer, #8-32 x 1/2 Inch Long, SST	2
104	34-00662-08	Washer, Flat, #8, SST	2
105	56-62164-00	Tube, Liquid, Bent, 5/8 OD x .040 Wall Copper	1
106	86-62468-00	Bracket Assembly, Support, Suction Tube, Painted	1
107	56-03838-00	Tube, Liquid, Bent, 5/8 OD x .040 Wall Copper	1
108	56-62157-00	Tube, Suction, Bent, 1-3/8 OD x .055W Copper	1
109	34-00663-12	Washer, Split Lock, 5/16 Inch, SST	2
110	34-00373-07	Clamp, Tube, Insulated, 5/8 Inch Diameter	4
111	02-00010-01	Grease, Thermomastic, 6cc Syringe	1
112	42-00032-00	Tape, Insulation, Pressite, 2.00 x 30.00 Feet Long	1



**7 AIR FILTERS**



1	38-00547-00	Filter, Air, 1.00 Thick x 16.50 x 46.00 Inches (Washable)	1
---	-------------	---	---



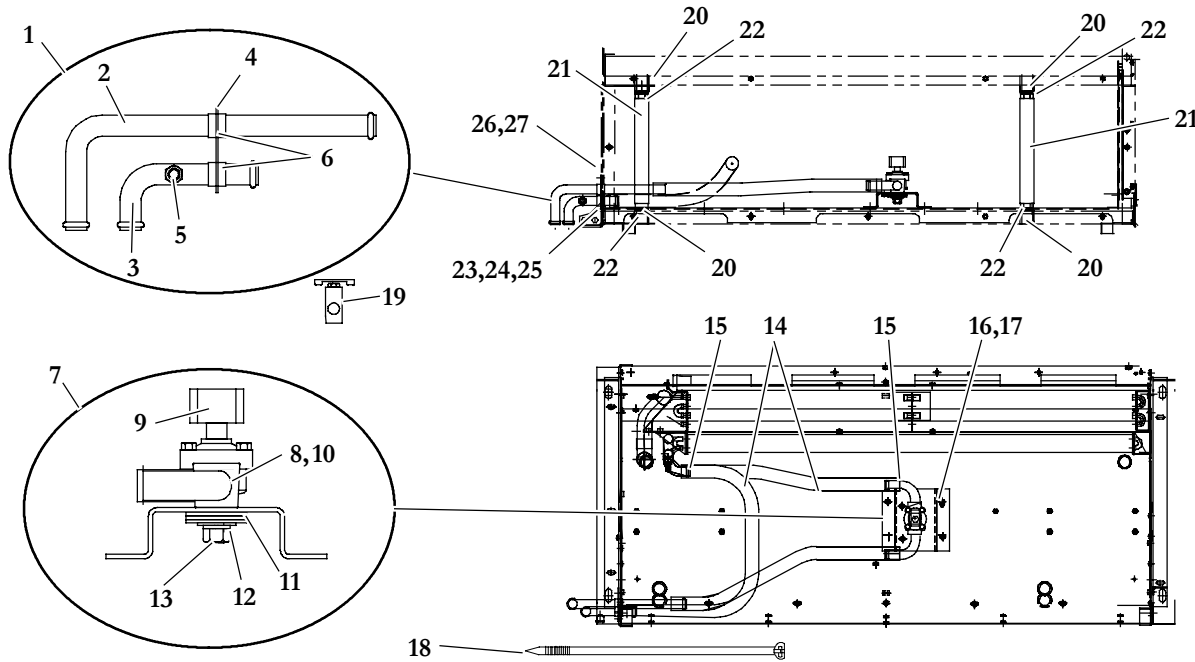
Item	Part Number	Description	Qty
<b>Models 68RM35-104-40, 604-46</b>			
2	68RM35-201-2	Filter Assembly - Includes:	1
3	38-00546-01	Filter, Air, 0.88 Thick x 15.25 x 16.00 Inches, Fiber Media (Cleanable)	3
4	68RM35-1518P	Bracket, Retainer, Painted	1
5	58-04115-00	Receptacle, Snap-in (Dzus)	2
6	58-04114-00	Retainer, Split, (Dzus)	2
7	58-04113-00	Stud Assembly, Ejecting, Wing Head (Dzus)	2
<b>Models 68RM35-604-41, -45, -53, -73, -94, -96</b>			
2	68RM35-201-3	Filter Assembly - Includes:	1
3	AC801-460-1	Filter, Air, 0.88 Thick x 15.25 x 16.00 Inches, Flame Retardant (Disposable)	3
4	68RM35-1518P	Bracket, Filter Retainer, Painted	1
5	58-04115-00	Receptacle, Snap-in (Dzus)	2
6	58-04114-00	Retainer, Split, Stud (Dzus)	2
7	58-04113-00	Stud Assembly, Ejecting, Wing Head (Dzus)	2
<b>Models 68RM35-604-44, -65, -81</b>			
-	-	Customer Supplied	-



**8 HEATER CONNECTION ASSEMBLY**

**8.1 Heater Connection Assembly - Models 68RM35-104-40, -42, 604-42, -43, -46, -47, -50**

**Kit 68RM35-161-7**



Item	Part Number	Description	Qty
1	81-62016-00	Heater Plate Assembly, Heater Coil Connections - Includes:	1
2	56-62066-00	Tube, Bent, Heater, 7/8 OD x .045W Copper, Bead End	1
3	56-62079-00	Tube, Bent, Heater, 7/8 OD x .045W Copper, Bead End	1
4	68-62260-00	Plate, Heater Connections	1
5	DE06DA051	Adapter, Tube Fitting, 1/4 FPT x 1/4 ODF	1
6	66CH1-1212-8	Coupling, Braze, 7/8 ID x 3/4 Inch Long	2
7	68RM45-193	Coolant Valve Assembly - Includes:	1
8	14-00194-00	Valve, Coolant, Solenoid, 7/8 OD Water Bead - Includes:	1
9	14-01110-02	Coil, Solenoid Valve, 24 VDC	1
10	14-50036-00	Repair Kit, Solenoid Valve	1
11	34-00662-18	Washer, Plain, 3/4, SST	3
12	34-06212-15	Washer, Plain, 7/16, SST	1
13	34-00665-14	Nut, Hex, 7/16-20, SST	1
14	AC301-244	Hose, Heater Inlet And Outlet, 7/8 ID (Sold in 50 Feet Roll)	1
15	44-00318-00	Clamp, Hose, Constant Torque, Range: 0.81 To 1.50 Inches, SST	6
16	34-00655-08	Bolt, Hex Head, 1/4-20 x 1.00 Inch Long, SST	4
17	34-00662-11	Washer, Plain, 1/4 Inch, SST	4
18	66U1-3882	Wire Tie, Self-Locking, 7.00 Inches	5
19	66U1-3041	Valve, Petcock, 1/4-18 MPT	1
20	40-00541-02	Fitting, Hose Barb, 1 Inch ID X 3/4 Inch MPT	4
21	AC301-236-4	Hose, Drain, 1 Inch I.D. x 48.00 Inches Long	1
22	58-00712-17	Clamp, Hose, Snap (ID Range: 1.218 - 1.405 Inch)	4
23	34-01305-03	Screw, Pan Head, Cross Recessed, #06-32 x 3/4 Inch Long, SST	4
24	34-00662-07	Washer, Plain, #06, SST	8

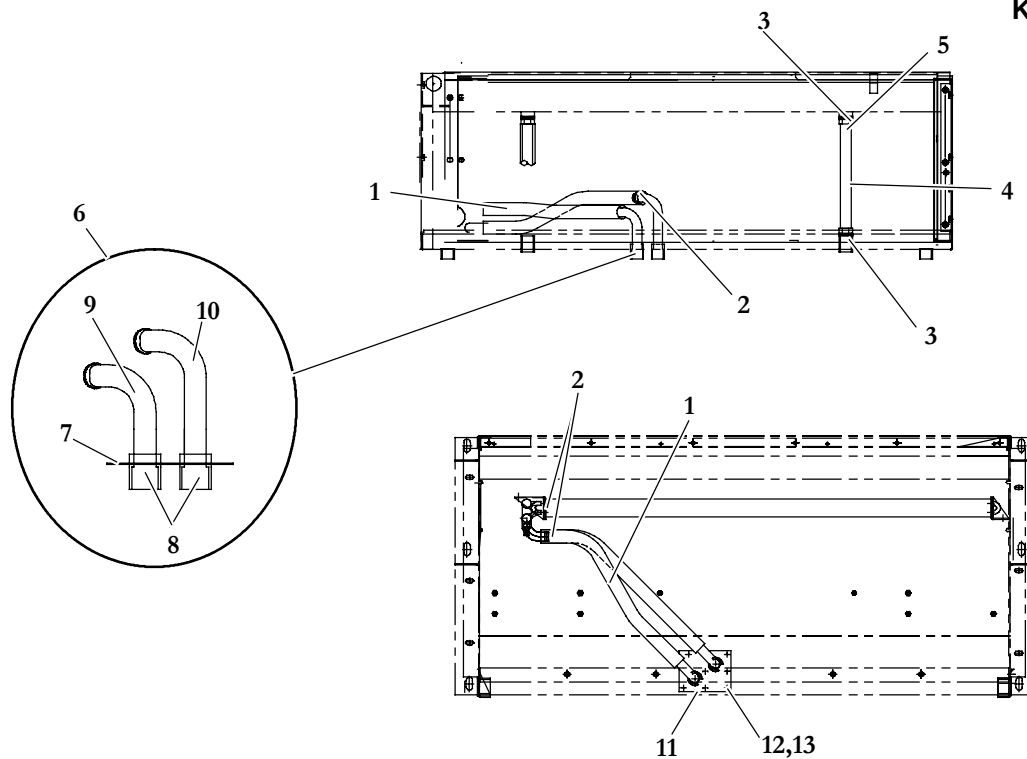


<b>8.2 Heater Connection Assembly - Models 68RM35-104-40, -42, 604-42, -43, -46, -47, -50</b>			
<b>Item</b>	<b>Part Number</b>	<b>Description</b>	<b>Qty</b>
25	34-00667-07	Nut, Hex, Self-Locking, #06-32, SST	4
26	62-62041-00	Label, <b>IN</b>	1
27	62-62041-01	Label, <b>OUT</b>	1





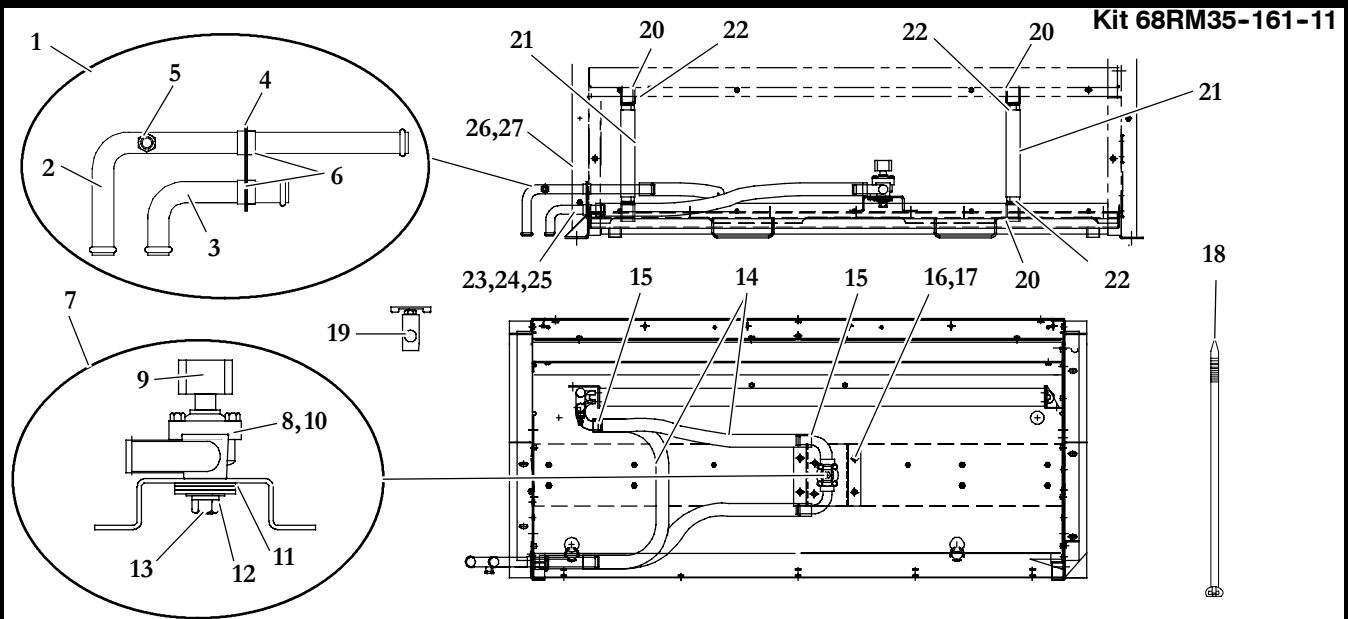
**8.3 Heater Connection Assembly - Models 68RM35-104-41, 604-48, -59, -63, -69, -75, -79, -85, Kit 68RM35-161-5**



Item	Part Number	Description	Qty
1	AC301-244	Hose, Heater Inlet And Outlet, 7/8 ID (Sold in 50 Feet Roll)	1
2	44-00318-00	Clamp, Hose, Constant Torque, Range: 0.81 To 1.50 Inches, SST	4
3	40-00541-02	Fitting, Hose Barb, 1 Inch ID X 3/4 Inch MPT	4
4	AC301-236-4	Hose, Drain, 1 Inch ID x 48.00 Inches Long	1
5	58-00712-17	Clamp, Hose, Snap (ID Range: 1.218 - 1.405 Inch)	4
6	68RM35-768	Heater Plate Assembly, Heater Coil Connections - Includes:	1
7	68RM35-1227	Plate, Heater Connections	1
8	68RM35-1206	Coupling, Adapter	2
9	56-03835-00	Tube, Bent, Heater, 7/8 OD x .045W Copper, Bead End	1
10	56-03835-01	Tube, Bent, Heater, 7/8 OD x .045W Copper, Bead End	1
11	AC701-413	Rivet, Aluminum, 3/16 Inch	7
12	62-62041-00	Label, <b>IN</b>	1
13	62-62041-01	Label, <b>OUT</b>	1



**8.4 Heater Connection Assembly - Models 68RM35-104-43, -45, 604-51, -54, -55, -56, -58, -60, -61, -62, -67, -68, -71, -74, -76, -77, -78, -83, -84, -87, -88, -90, -91, -92, -93, -94, -95**

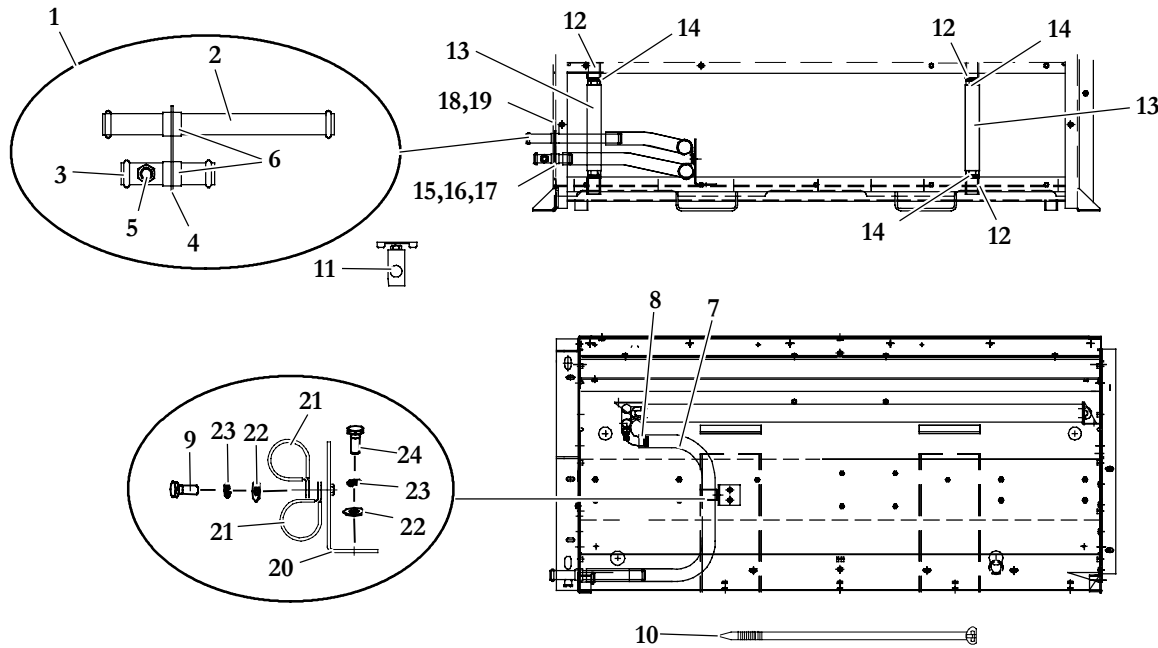


Item	Part Number	Description	Qty
1	81-62114-00	Heater Plate Assembly, Heater Coil Connections - Includes:	1
2	56-62198-01	Tube, Bent, Heater, 7/8 OD x .045W Copper, Bead End	1
3	56-62199-01	Tube, Bent, Heater, 7/8 OD x .045W Copper, Bead End	1
4	68-62260-00	Plate, Heater Connections	1
5	DE06DA051	Adapter, Tube Fitting, 1/4 FPT x 1/4 ODF	1
6	66CH1-1212-8	Coupling, Braze, 7/8 ID x 3/4 Inch Long	2
7	68RM45-193	Coolant Valve Assembly - Includes:	1
8	14-00194-00	Valve, Coolant, Solenoid, 7/8 OD Water Bead - Includes:	1
9	14-01110-02	Coil, Solenoid Valve, 24 VDC	1
10	14-50036-00	Repair Kit, Solenoid Valve	1
11	34-00662-18	Washer, Plain, 3/4, SST	3
12	34-06212-15	Washer, Plain, 7/16, SST	1
13	34-00665-14	Nut, Hex, 7/16-20, SST	1
14	AC301-244	Hose, Heater Inlet And Outlet, 7/8 ID (Sold In 50 Feet Roll)	1
15	44-00318-00	Clamp, Hose, Constant Torque, Range: 0.81 - 1.50 Inches SST	6
16	34-00655-08	Bolt, Hex Head, 1/4-20 x 1.00 Inch Long, SST	4
17	34-00662-11	Washer, Plain, 1/4 Inch, SST	4
18	66U1-3882	Wire Tie, Self-Locking, 7.00 Inches	5
19	66U1-3041	Valve, Petcock, 1/4-18 MPT	1
20	40-00541-02	Fitting, Hose Barb, 1 Inch ID X 3/4 Inch MPT	4
21	AC301-236-4	Hose, Drain, 1 Inch ID x 48.00 Inches Long	1
22	58-00712-17	Clamp, Hose, Snap (ID Range: 1.218 - 1.405 Inch)	4
23	34-01305-03	Screw, Pan Head, Cross Recessed, #06-32 x 3/4 Inch Long, SST	4
24	34-00662-07	Washer, Plain, #06, SST	8
25	34-00667-07	Nut, Hex, Self-Locking, #06-32, SST	4
26	62-62041-00	Label, <b>IN</b>	1
27	62-62041-01	Label, <b>OUT</b>	1



8.5 Heater Connection Assembly - Models 68RM35-604-49, -72

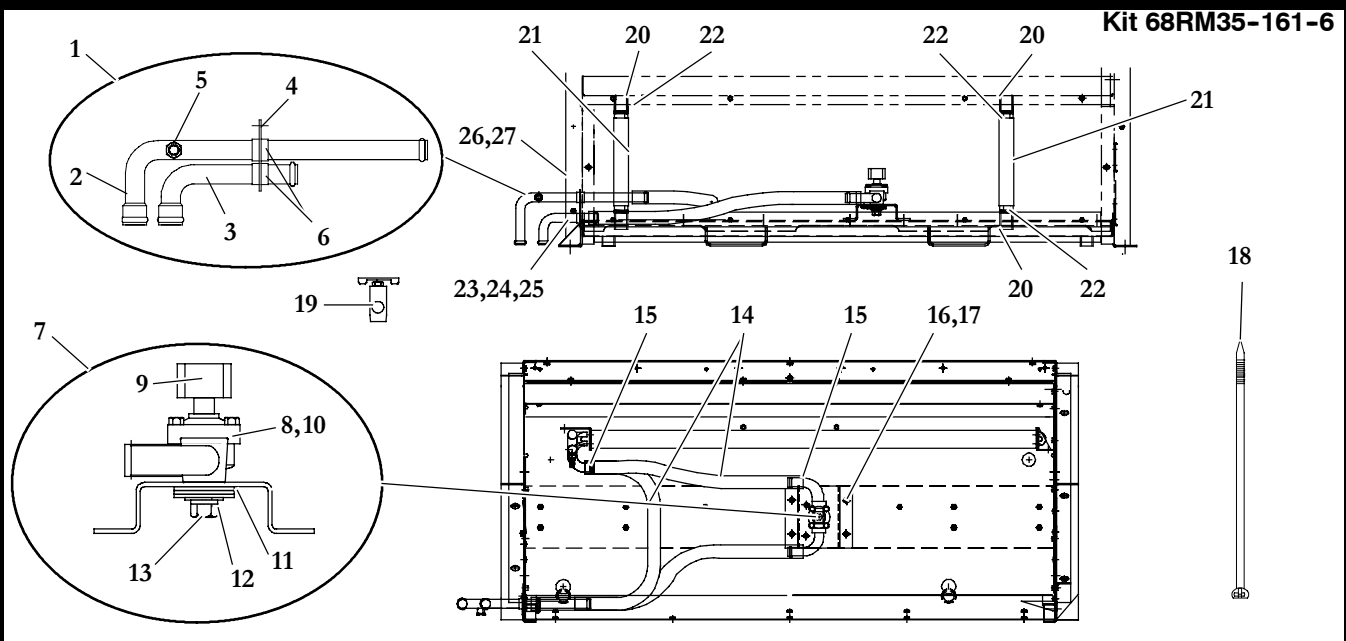
Kit 68RM35-161-12



Item	Part Number	Description	Qty
1	81-62103-00	Heater Plate Assembly, Heater Coil Connections - Includes:	1
2	56-62213-00	Tube, Straight, Heater, 7/8 OD x .045W x 9.38 Long Copper, Bead End	1
3	56-62214-00	Tube, Straight, Heater, 7/8 OD x .045W x 3.78 Long Copper, Bead End	1
4	68-62260-00	Plate, Heater Connections	1
5	DE06DA051	Adapter, Tube Fitting, 1/4 FPT x 1/4 ODF	1
6	66CH1-1212-8	Coupling, Braze, 7/8 ID x 3/4 Inch Long	2
7	AC301-244	Hose, Heater Inlet And Outlet, 7/8 ID (Sold in 50 Feet Roll)	1
8	44-00318-00	Clamp, Hose, Constant Torque, Range: 0.81 To 1.50 Inches, SST	4
9	34-00655-08	Bolt, Hex Head, 1/4-20 x 1.00 Inch Long, SST	1
10	58-00079-02	Wire Tie, Self-Locking, 7.50 Inches, Black	5
11	66U1-3041	Valve, Petcock, 1/4-18 MPT	1
12	40-00541-02	Fitting, Hose Barb, 1 Inch ID X 3/4 Inch MPT	4
13	AC301-236-4	Hose, Drain, 1 Inch ID x 48.00 Inches Long	1
14	58-00712-17	Clamp, Hose, Snap (ID Range: 1.218 - 1.405 Inch)	4
15	34-50061-00	Screw, Pan Head, Phillips, #06-32 x 3/4 Inch Long, SST	4
16	34-00662-07	Washer ,Plain #6 Medium .032 Thick	8
17	34-00667-07	Nut, Hex, Self-Locking, #06-32, SST	4
18	62-62041-00	Label, <b>IN</b>	1
19	62-62041-01	Label, <b>OUT</b>	1
20	68-62554-00	Bracket, Support, Hose, Painted	1
21	44-00102-72	Clamp, Hose, 1.31 OD, With Neoprene Cushion, SST	2
22	34-00662-11	Washer, Plain, 1/4 Inch, SST	3
23	34-00663-11	Washer, Split Lock, 1/4 Inch, SST	3
24	34-00655-06	Bolt, Hex Head, 1/4-20 x 0.75 Inch Long, SST	2



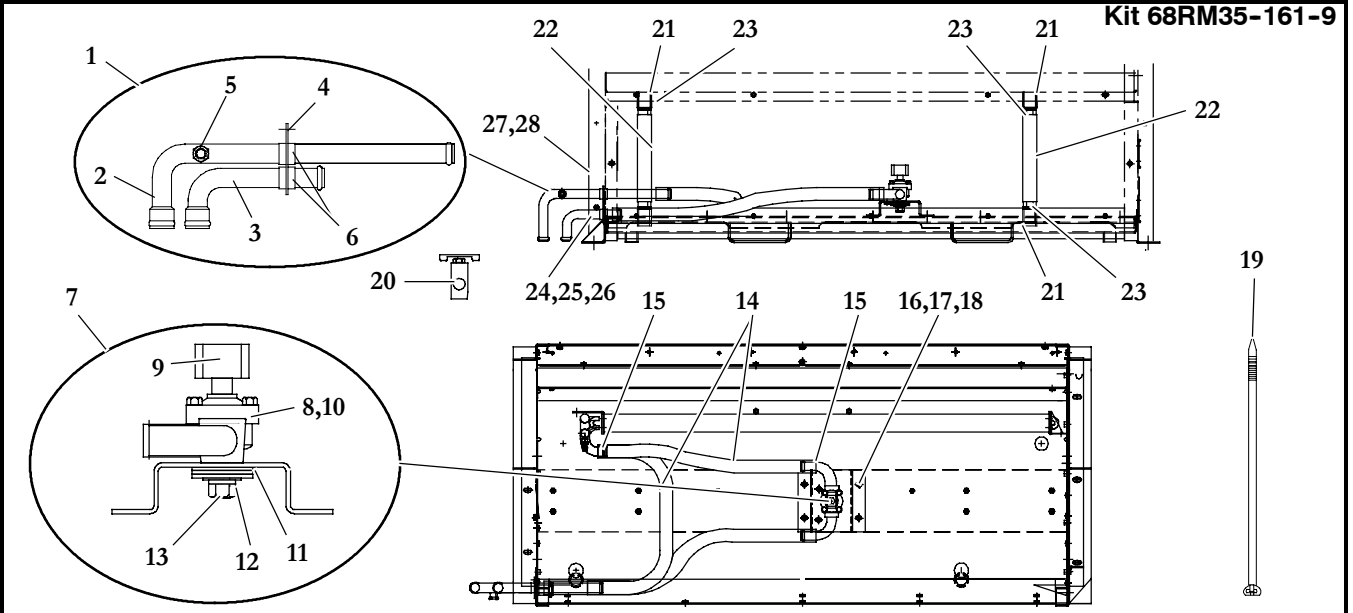
8.6 Heater Connection Assembly - Model 68RM35-604-41



Item	Part Number	Description	Qty
1	81-62115-00	Heater Plate Assembly, Heater Coil Connections - Includes:	1
2	56-62237-00	Tube, Bent, Heater, 7/8 OD x .045W Copper, Bead End	1
3	56-62075-01	Tube, Bent, Heater, 7/8 OD x .045W Copper, Bead End	1
4	68RM35-1226-1	Plate, Heater Connections	1
5	DE06DA051	Adapter, Tube Fitting, 1/4 FPT x 1/4 ODF	1
6	66CH1-1212-8	Coupling, Braze, 7/8 ID x 3.4 Inch Long	2
7	68RM45-193	Coolant Valve Assembly - Includes:	1
8	14-00194-00	Valve, Coolant, Solenoid, 7/8 OD Water Bead - Includes:	1
9	14-01110-02	Coil, Solenoid Valve, 24 VDC	1
10	14-50036-00	Repair Kit, Solenoid Valve	1
11	34-00662-18	Washer, Plain, 3/4, SST	3
12	34-06212-15	Washer, Plain, 7/16, SST	1
13	34-00665-14	Nut, Hex, 7/16-20, SST	1
14	AC301-244	Hose, Heater Inlet And Outlet, 7/8 ID (Sold In 50 Feet Roll)	1
15	44-00318-00	Clamp, Hose, Constant Torque, Range: 0.81 To 1.50 Inches, SST	6
16	34-00655-08	Bolt, Hex Head, 1/4-20 x 1.00 Inch Long, SST	4
17	34-00662-11	Washer, Plain, 1/4 Inch, SST	4
18	66U1-3882	Wire Tie, Self-Locking, 7.00 Inches	5
19	66U1-3041	Valve, Petcock, 1/4-18 MPT	1
20	40-00541-02	Fitting, Hose Barb, 1 Inch ID X 3/4 Inch MPT	4
21	AC301-236-4	Hose, Drain, 1 Inch ID x 48.00 Inches Long	1
22	58-00712-17	Clamp, Hose, Snap (ID Range: 1.218 - 1.405 Inch)	4
23	34-01305-03	Screw, Pan Head, Cross Recessed, #06-32 x 3/4 Inch Long, SST	4
24	34-00662-07	Washer, Plain, #06, SST	8
25	34-00667-07	Nut, Hex, Self-Locking, #06-32, SST	4
26	62-62041-00	Label, IN	1
27	62-62041-01	Label, OUT	1



**8.7 Heater Connection Assembly - Models 68RM35-604-44, -45, -52 -53, -64, -65, -73, -80, -81, -94**

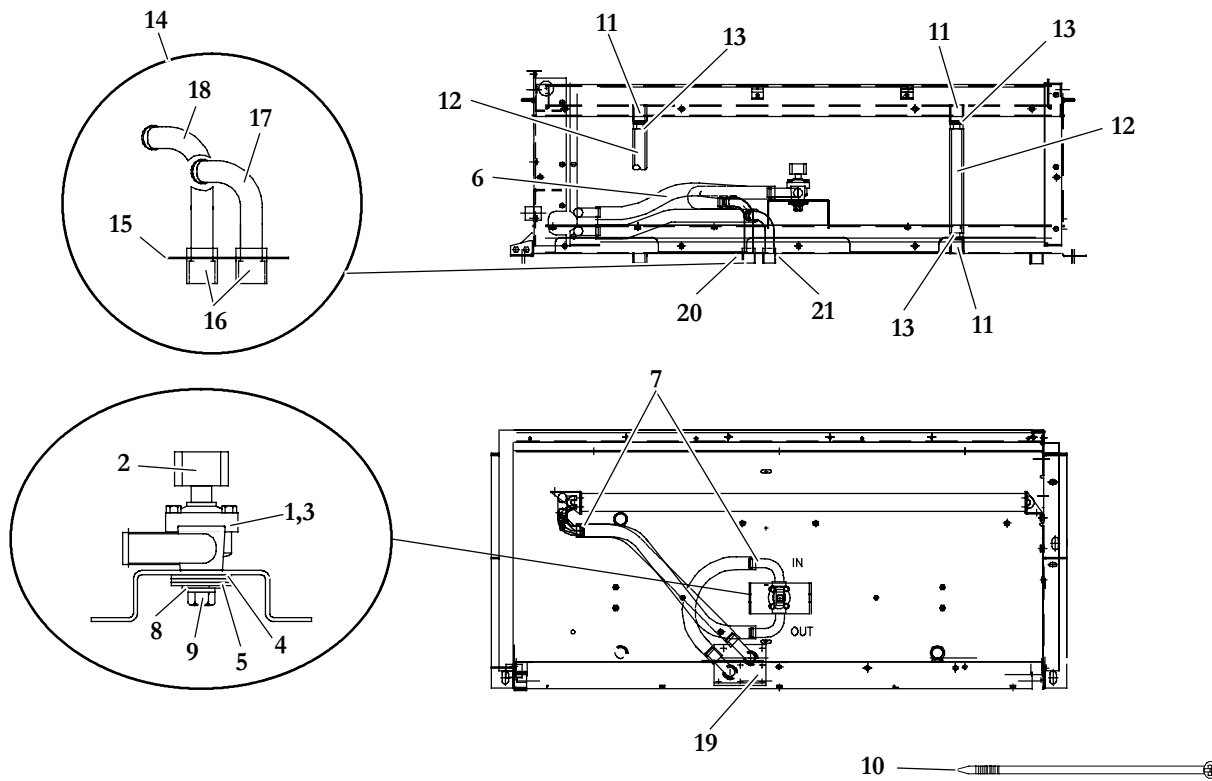


Item	Part Number	Description	Qty
1	81-62116-00	Heater Plate Assembly, Heater Coil Connections - Includes:	1
2	56-62237-00	Tube, Bent, Heater, 7/8 OD x .045W Copper, Bead End	1
3	56-62075-00	Tube, Bent, Heater, 7/8 OD x .045W Copper, Bead End	1
4	68RM35-1226-1	Plate, Heater Connections	1
5	DE06DA051	Adapter, Tube Fitting, 1/4 FPT x 1/4 ODF	1
6	66CH1-1212-8	Coupling, Braze, 7/8 ID x 3.4 Inch Long	2
7	68RM45-193	Coolant Valve Assembly - Includes:	1
8	14-00194-00	Valve, Coolant, Solenoid, 7/8 OD Water Bead - Includes:	1
9	14-01110-02	Coil, Solenoid Valve, 24 VDC	1
10	14-50036-00	Repair Kit, Solenoid Valve	1
11	34-00662-18	Washer, Plain, 3/4, SST	3
12	34-06212-15	Washer, Plain, 7/16, SST	1
13	34-00665-14	Nut, Hex, 7/16-20, SST	1
14	AC301-244	Hose, Heater Inlet And Outlet, 7/8 ID (Sold In 50 Feet Roll)	1
15	44-00318-00	Clamp, Hose, Constant Torque, Range: 0.81 - 1.50 Inch, SST	6
16	34-00655-06	Bolt, Hex Head, 1/4-20 x 3/4 Inch Long, SST	4
17	34-00663-11	Washer, Split Lock, 1/4 Inch, SST	4
18	34-00662-11	Washer, Plain, 1/4 Inch, SST	4
19	66U1-3882	Wire Tie, Self-Locking, 7.00 Inches	5
20	66U1-3041	Valve, Petcock, 1/4-18 MPT	1
21	40-00541-02	Fitting, Hose Barb, 1 Inch ID X 3/4 Inch MPT	4
22	AC301-236-4	Hose, Drain, 1 Inch ID x 48.00 Inches Long	1
23	58-00712-17	Clamp, Hose, Snap (ID Range: 1.218 - 1.405 Inch)	4
24	34-01305-03	Screw, Pan Head, Cross Recessed, #06-32 x 3/4 Inch Long, SST	4
25	34-00662-07	Washer, Plain, #06, SST	8
26	34-00667-07	Nut, Hex, Self-Locking, #06-32, SST	4
27	62-62041-00	Label, <b>IN</b>	1
28	62-62041-01	Label, <b>OUT</b>	1



8.8 Heater Connection Assembly - Models 68RM35-604-66, -70, -82, -86

Kit 68RM35-161-13

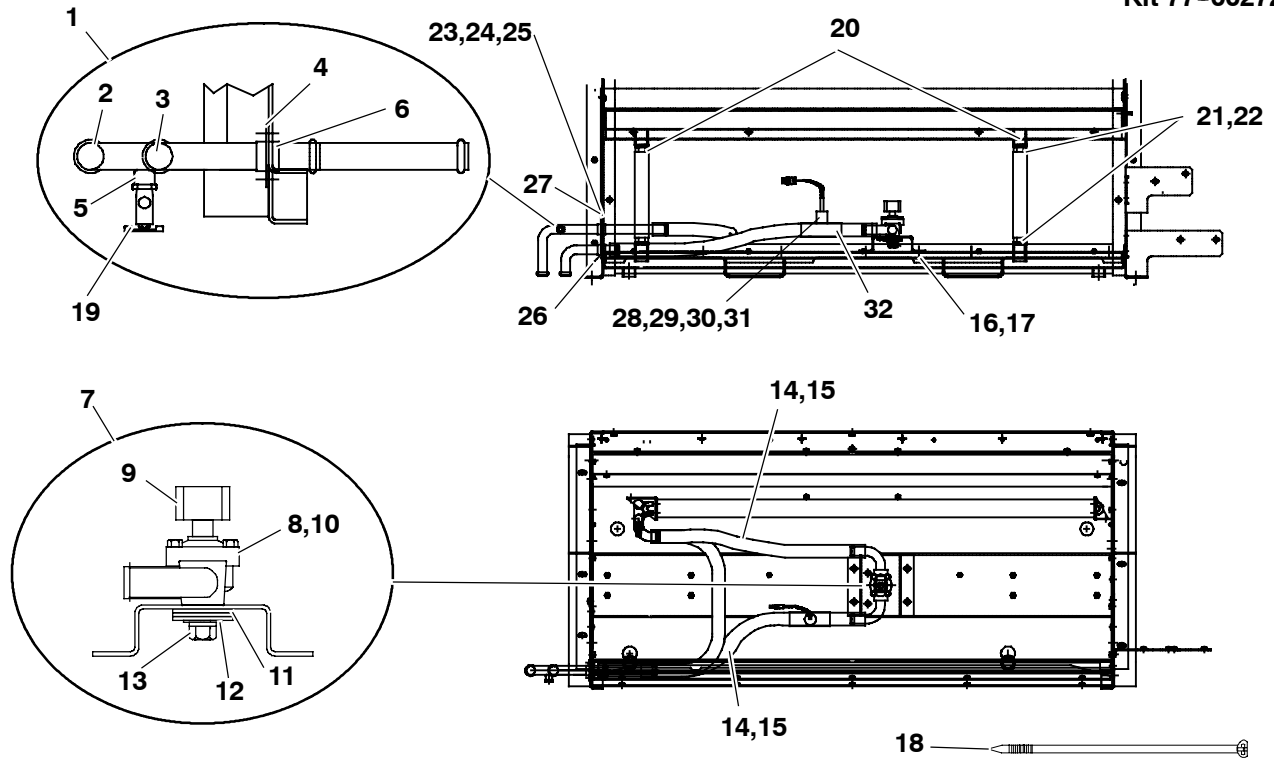


Item	Part Number	Description	Qty
1	14-00194-01	Valve, Coolant, Solenoid, 7/8 OD x 7/8 Water Bead - Includes:	1
2	14-01110-02	Coil, Solenoid Valve, 24 VDC	1
3	14-50036-00	Repair Kit, Solenoid Valve	1
4	34-00366-17	Washer, Plain, 5/8	3
5	34-00662-14	Washer, Plain, 7/16 Inch, SST	1
6	AC301-244	Hose, Heater Inlet And Outlet, 7/8 ID (Sold In 50 Feet Roll)	1
7	44-00318-00	Clamp, Hose, Constant Torque, Range: 0.81 To 1.50 Inches, SST	6
8	34-00663-14	Washer, Split Lock, 7/16 Inch, SST	1
9	34-00665-14	Nut, Hex, 7/16-20, SST	1
10	66U1-3882	Wire Tie, Self-Locking, 7.00 Inches	3
11	40-00541-02	Fitting, Hose Barb, 1 Inch ID X 3/4 Inch MPT	4
12	AC301-236-4	Hose, Drain, 1 Inch ID x 48.00 Inches Long	1
13	58-00712-17	Clamp, Hose, Snap (ID Range: 1.218 - 1.405 Inch)	4
14	86-62352-00	Heater Plate Assembly, Heater Coil Connections - Includes:	1
15	68RM35-1227	Plate, Heater Connections	1
16	68RM35-1206	Coupling, Adapter	2
17	56-03835-00	Tube, Bent, Heater, 7/8 OD x .045W Copper, Bead End	1
18	56-03835-01	Tube, Bent, Heater, 7/8 OD x .045W Copper, Bead End	1
19	AC701-413	Rivet, Aluminum, 3/16 Inch	7
20	62-62041-00	Label, IN	1
21	62-62041-01	Label, OUT	1



8.9 Heater Connection Assembly - Models 68RM35-604-96

Kit 77-00272-00



Item	Part Number	Description	Qty
1	81-62114-00	Heater Plate Assembly, Heater Coil Connections - Includes:	1
2	56-62198-01	Tube, Bent, Heater, 7/8 OD x .045W Copper, Bead End	1
3	56-62199-01	Tube, Bent, Heater, 7/8 OD x .045W Copper, Bead End	1
4	68-62260-00	Plate, Heater Connections	1
5	DE06DA051	Adapter, Tube Fitting, 1/4 FPT x 1/4 ODF	1
6	66CH1-1212-8	Coupling, Braze, 7/8 ID x 0.75 Inch Long	2
7	68RM45-193	Coolant Valve Assembly - Includes:	1
8	14-00194-00	Valve, Coolant, Solenoid, 7/8 OD Water Bead - Includes:	1
9	14-01110-02	Coil, Solenoid Valve, 24 VDC	1
10	14-50036-00	Repair Kit, Solenoid Valve	1
11	34-00662-18	Washer, Plain, 3/4, SST	3
12	34-06212-15	Washer, Plain, 7/16, SST	1
13	34-00665-14	Nut, Hex, 7/16-20, SST	1
14	AC301-244	Hose, Heater Inlet & Outlet, 7/8 ID (Sold in 50 Feet Roll)	1
15	44-00318-00	Clamp, Hose, Constant Torque, Range: 0.81 To 1.50 Inches, SST	8
16	34-00655-08	Bolt, Hex Head, 1/4-20 x 1.00 Inch Long, SST	4
17	34-00662-11	Washer, Plain, 1/4 Inch, SST	4
18	66U1-3882	Wire Tie, Self-Locking, 7.00 Inches, Black	5
19	66U1-3041	Valve, Petcock, 1/4-18 MPT	1
20	40-00541-02	Fitting, Hose Barb, 1 Inch Hose I.D. x 3/4 MPT	4
21	AC301-236-4	Hose, Drain, 1 Inch I.D. x 48.00 Inches Long	1
22	58-00712-17	Clamp, Hose, Snap (I.D. Range: 1.218 - 1.405)	4



<b>8.9 Heater Connection Assembly - Models 68RM35-604-96</b>			
<b>Item</b>	<b>Part Number</b>	<b>Description</b>	<b>Qty</b>
23	34-01305-03	Screw, Pan Head, Cross Recessed, #06-32 x 3/4 Inch Long, SST	4
24	34-00662-07	Washer, Plain, #06, SST	8
25	34-00667-07	Nut, Hex, Self-Locking, #06-32, SST	4
26	62-62041-00	Label, <b>IN</b>	1
27	62-62041-01	Label, <b>OUT</b>	1
28	10-00329-02	Thermostat, Water Temperature Sensor, 1/4-18 MPT - Includes:	1
29	22-01585-00SK	Connector, Male, 2 Pin, Black	1
30	22-01566-01	Terminal, Female (18-20 AWG)	2
31	22-02394-02	Seal, Cable, Green (.06 - .08 Cable OD)	2
32	81-02686-00	Tube Assembly, Water Temperature Sensor	1

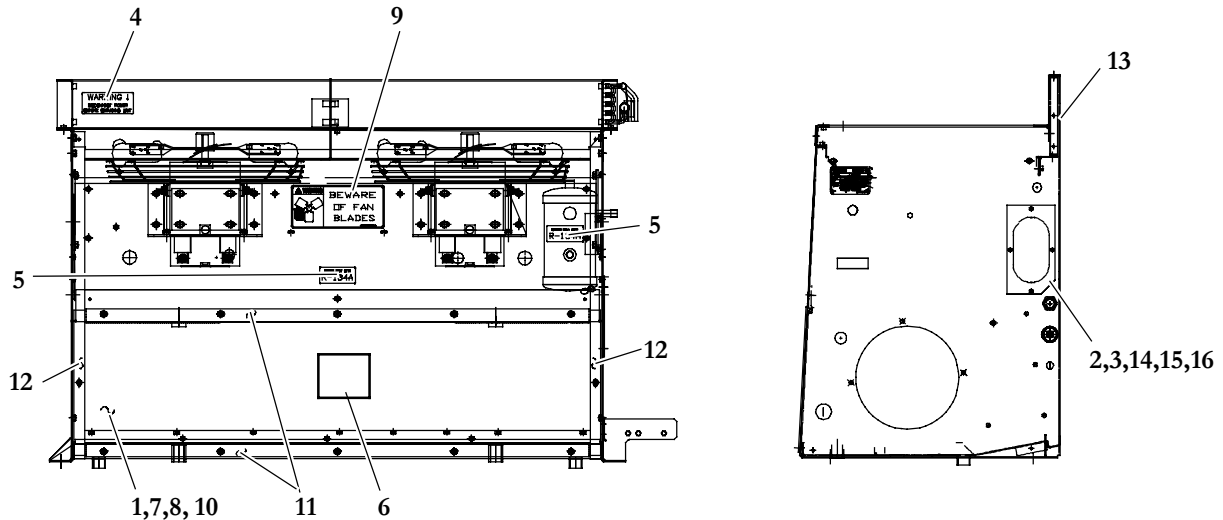




**9 LABELS - GASKETS**

**9.1 Labels - Gaskets - Models 68RM35-104-40, -42, 604-42, -43, -46, -47, -50**

Kit 68RM35-171-12  
68RM35-171-13

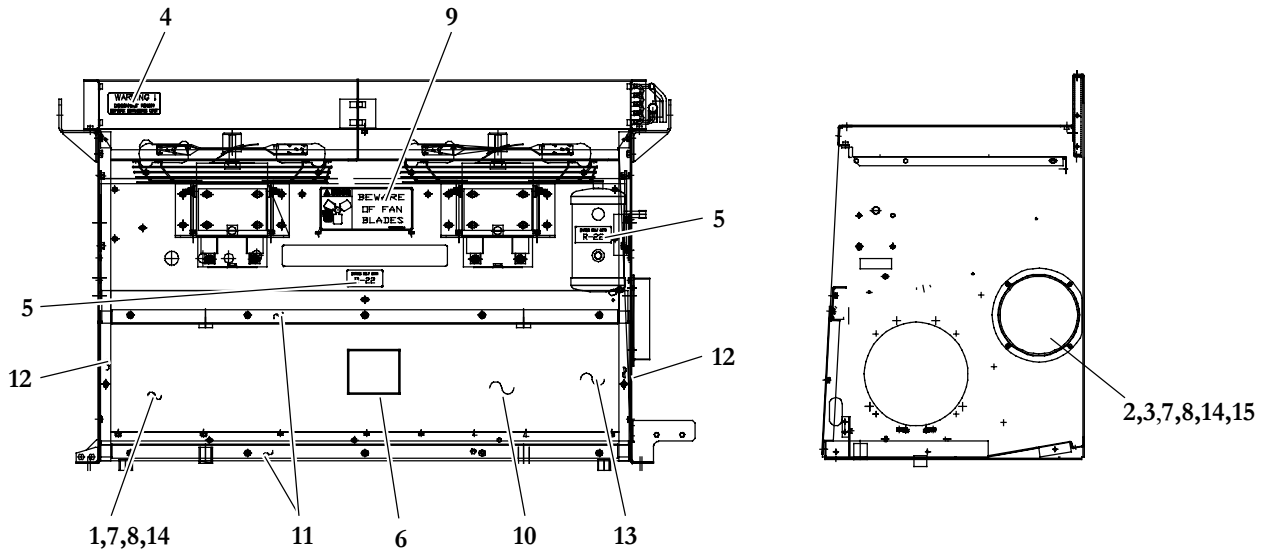


Item	Part Number	Description	Qty
1	68RM35-1004	Panel, Access, Painted	1
2	68-62228-00	Cover, Fresh Air, Painted	1
3	42-62008-00	Gasket, Fresh Air Cover, Neoprene	1
4	62-62001-00	Label, Warning, Disconnect Power	1
5	62-62039-00	Label, <b>Charge Only With R-134a</b> - Models 68RM35-604-42, -43, -46, -47, -50	2
	62-62039-01	Label, <b>Charge Only With R-22</b> - Model 68RM35-104-40, -42	
6	56-0031	Label, MCC	1
7	34-00655-06	Bolt, Hex Head, 1/4 -20 x 3/4 Inch Long, SST	12
8	34-00662-11	Washer, Flat, 1/4 Inch, SST	12
9	62-62045-00	Label, <b>Warning, Fan Blades &amp; Disconnect Power</b>	1
10	68RM35-1163-4	Insulation, Foam, 1.00 Thick x 11.50 x 41.80 Inches	1
11	68RM35-1303	Insulation, Neoprene, 0.25 Thick x 1.25 x 51.50 Inches	2
12	68RM35-1303-1	Insulation, Neoprene, 0.25 Thick x 1.13 x 11.81 Inches	2
13	68RM35-1163-5	Insulation, Foam, 0.25 Thick x 7.00 x 11.50 Inches	1
14	34-00662-09	Washer, Flat, #10, SST	4
15	34-00360-09	Nut, Hex, Self-Locking, #10-32	4
16	02-00134-00	Tape, Double Sided, Adhesive, 2.00 Inches X 180.00 Feet Long	1



9.2 Labels - Gaskets - Models 68RM35-104-41, 604-48

Kit 68RM35-171-10  
68RM35-171-14

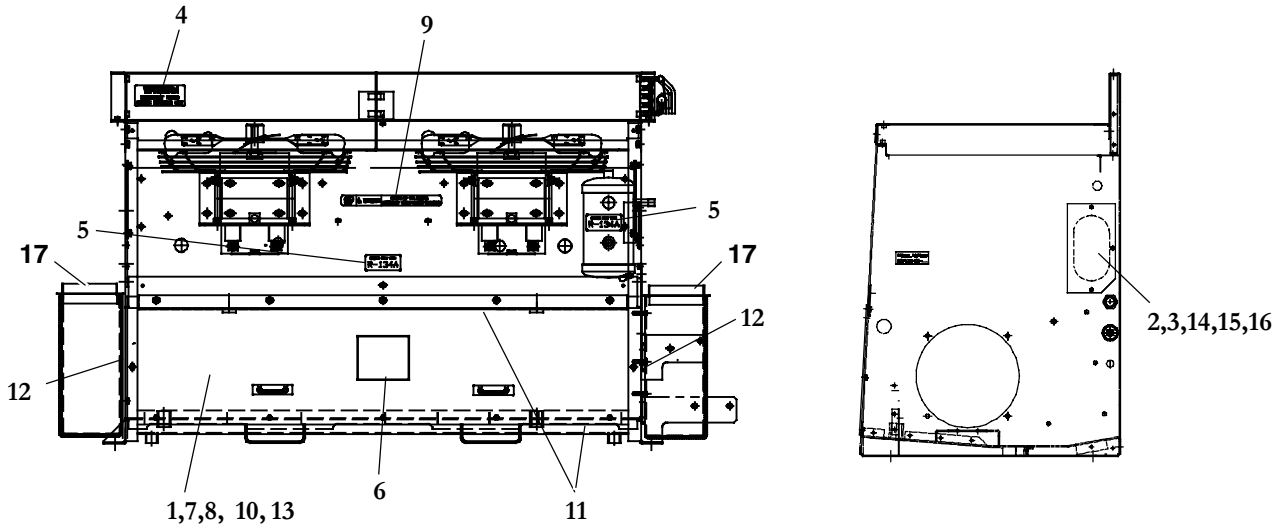


Item	Part Number	Description	Qty
1	68RM35-1004	Panel, Access, Painted	1
2	68RM35-1058P	Cover, Fresh Air, Painted	1
3	42-62004-00	Gasket, Fresh Air Cover, Neoprene	1
4	62-62001-00	Label, Warning, Disconnect Power	1
5	62-62039-00	Label, <b>Charge Only With R-134a</b> , Model 68RM35-604-48	2
	62-62039-01	Label, <b>Charge Only With R-22</b> , Model 68RM35-104-41	
6	56-0031	Label, <b>MCC</b>	2
7	34-00655-06	Bolt, Hex Head, 1/4 -20 x 3/4 Inch Long, SST	16
8	34-00662-11	Washer, Flat, 1/4 Inch, SST	16
9	62-62045-00	Label, <b>Warning, Beware Of Fan Blades</b>	1
10	68RM35-1163-4	Insulation, Foam, 1.00 Thick x 11.50 x 41.80 Inches	1
11	68RM35-1303	Insulation, Neoprene, 0.25 Thick x 1.25 x 51.50 Inches	2
12	68RM35-1303-1	Insulation, Neoprene, 0.25 Thick x 1.13 x 11.81 Inches	2
13	68RM35-1163-5	Insulation, Foam, 0.25 Thick x 7.00 x 11.50 Inches	1
14	34-00663-11	Washer, Split Lock, 1/4 Inch, SST	16
15	02-00134-00	Tape, Double Sided, Adhesive, 2.00 Inches X 180.00 Feet Long	1



**9.3 Labels - Gaskets - Models 68RM35-104-43, -45, 604-49, -51, -54, -55, -56, -58, -60, -61, -62, -67, -68, -71, -72, -74, -76, -77, -78, 83, -84, -87, -88, -90, -91, -92, -93, -95**

**Kit 68RM35-171-15  
68RM35-171-16**

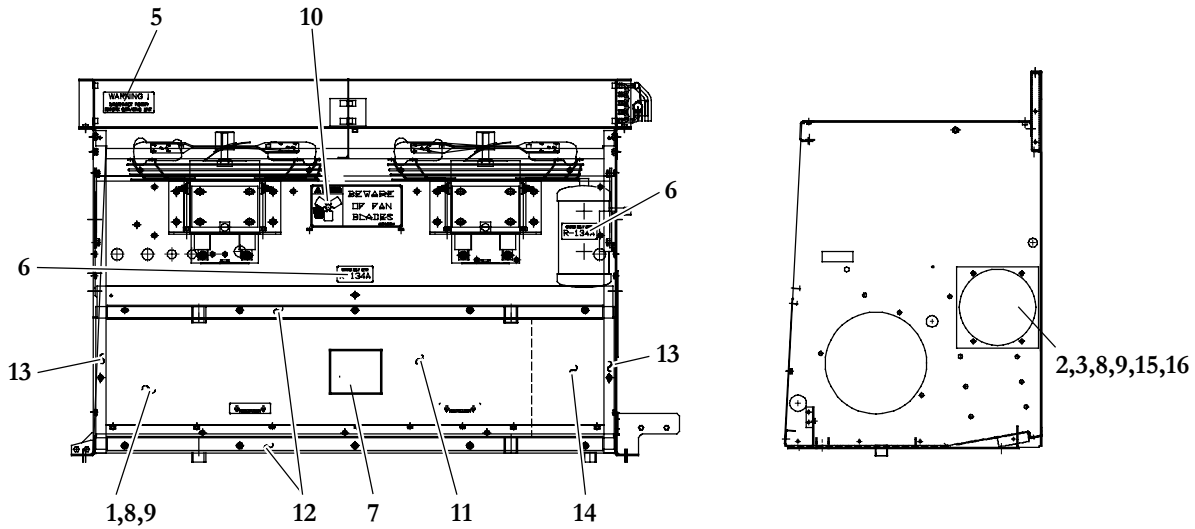


Item	Part Number	Description	Qty
1	68-62233-00	Panel, Access, Painted	1
2	68-62228-00	Cover, Fresh Air, Painted	1
3	42-62008-00	Gasket, Fresh Air Cover, Neoprene	1
4	62-62001-00	Label, Warning, Disconnect Power	1
5	62-62039-01	Label, <b>Charge Only With R-22</b> - Models 68RM35-104-	2
	62-62039-00	Label, <b>Charge Only With R-134a</b> - Models 68RM35-604-	
6	56-0031	Label, <b>MCC</b>	1
7	34-00655-06	Bolt, Hex Head, 1/4 -20 x 3/4 Inch Long, SST	12
8	34-00662-11	Washer, Flat, 1/4 Inch, SST	12
9	62-62045-00	Label, <b>Warning, Fan Blades &amp; Disconnect Power</b>	1
10	68RM35-1163-9	Insulation, Foam, 1.00 Thick x 9.94 x 48.80 Inches	1
11	68RM35-1303	Insulation, Neoprene, 0.25 Thick x 1.25 x 51.50 Inches	2
12	42-62009-00	Insulation, Neoprene, 0.25 Thick x 1.13 x 10.81 Inches	2
13	34-00663-11	Washer, Split Lock, 1/4 Inch, SST	12
14	34-00662-09	Washer, Flat, #10, SST	4
15	34-00360-09	Nut, Hex, Self-Locking, #10-32	4
16	02-00134-00	Tape, Double Sided, Adhesive, 2.00 Inches X 180.00 Feet Long	1
17	42-01232-00	Gasket, Blower Duct, Neoprene, Adhesive Backed - Used On All 68RM35-604-Models	4



9.4 Labels - Gaskets - Models 68RM35-604-41, -44, -45, -52, -53, -64, -65, -73, -80, -81, -94

Kit 68RM35-171-6

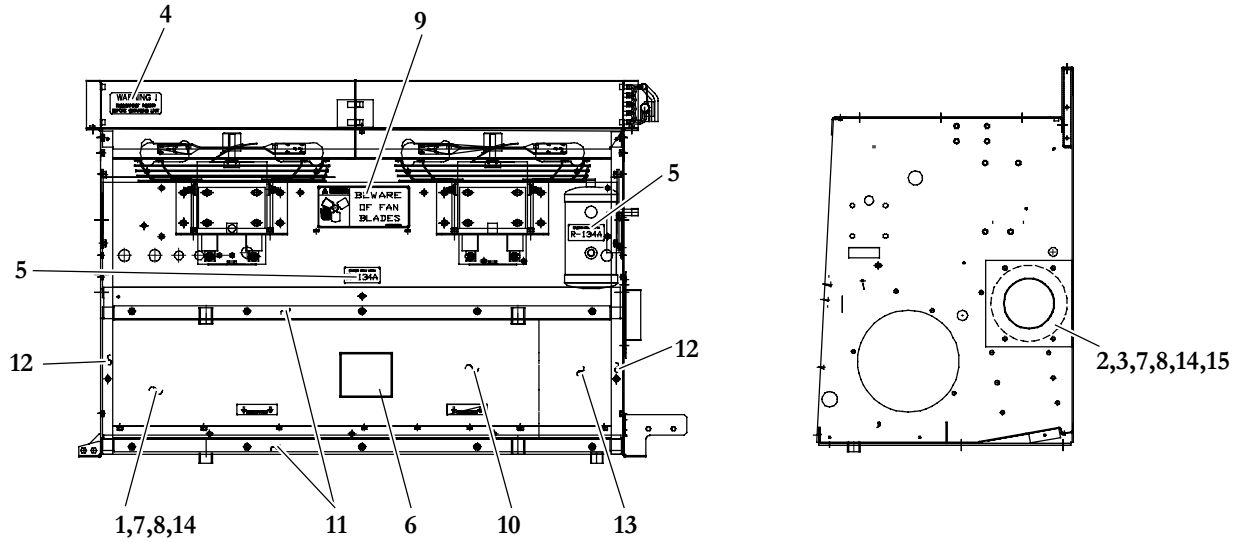


Item	Part Number	Description	Qty
1	68RM35-1004	Panel, Access, Painted	1
2	68RM35-1207P	Cover, Fresh Air, Painted	1
3	68RM35-1328	Gasket, Fresh Air Cover, Neoprene	1
4	68RM35-1133	Grille, Fan Guard, Condenser	2
5	62-62001-00	Label, <b>Warning, Disconnect Power</b>	1
6	62-62039-00	Label, <b>Charge Only With R-134a</b>	2
7	56-0031	Label, <b>MCC</b>	2
8	34-00655-06	Bolt, Hex Head, 1/4 -20 x 3/4 Inch Long, SST	16
9	34-00662-11	Washer, Flat, 1/4 Inch, SST	16
10	62-62045-00	Label, <b>Warning, Fan Blades &amp; Disconnect Power</b>	1
11	68RM35-1163-4	Insulation, Foam, 1.00 Thick x 11.50 x 41.80 Inches	1
12	68RM35-1303	Insulation, Neoprene, 0.25 Thick x 1.25 x 51.50 Inches	2
13	68RM35-1303-1	Insulation, Neoprene, 0.25 Thick x 1.13 x 11.81 Inches	2
14	68RM35-1163-5	Insulation, Foam, 0.25 Thick x 7.00 x 11.50 Inches	1
15	34-00663-11	Washer, Split Lock, 1/4 Inch, SST	16
16	02-00134-00	Tape, Double Sided, Adhesive, 2.00 Inches X 180.00 Feet Long	1



9.5 Labels - Gaskets - Models 68RM35-604-59, -69, -75, -85

Kit 68RM35-171-17

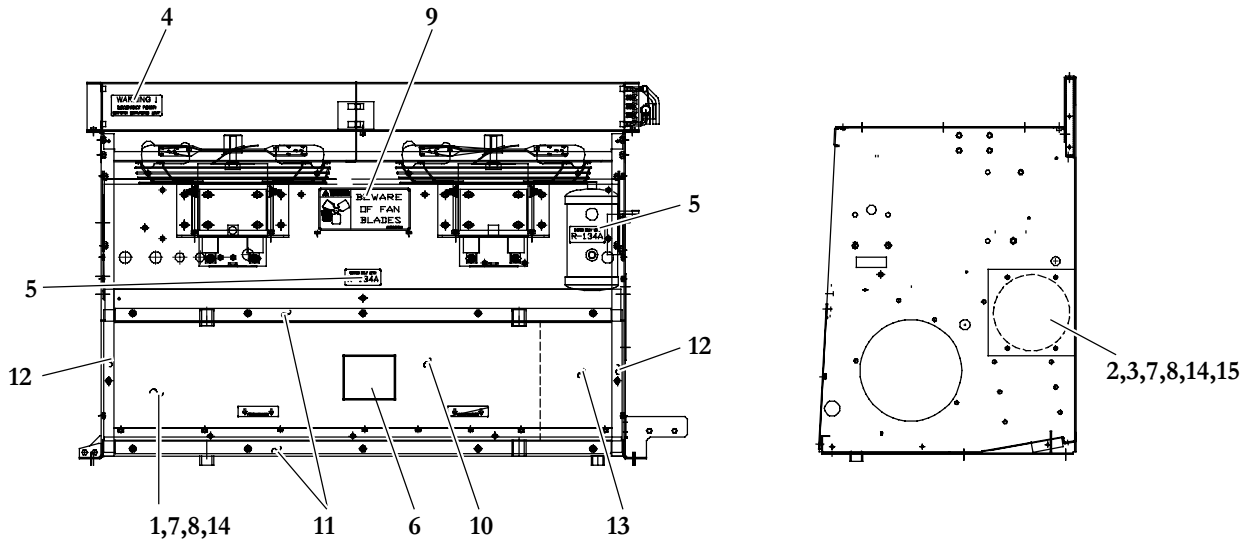


Item	Part Number	Description	Qty
1	68RM35-1004	Panel, Access, Painted	1
2	86-62268-00	Collar, Fresh Air, Painted	1
3	42-62075-00	Gasket, Fresh Air Collar, Neoprene	1
4	62-62001-00	Label, <b>Warning, Disconnect Power</b>	1
5	62-62039-00	Label, <b>Charge Only With R-134a</b>	2
6	56-0031	Label, <b>MCC</b>	1
7	34-00655-06	Bolt, Hex Head, 1/4 -20 x 3/4 Inch Long, SST	16
8	34-00662-11	Washer, Flat, 1/4 Inch, SST	16
9	62-62045-00	Label, <b>Warning, Fan Blades &amp; Disconnect Power</b>	1
10	68RM35-1163-4	Insulation, Foam, 1.00 Thick x 11.50 x 41.80 Inches	1
11	68RM35-1303	Insulation, Neoprene, 0.25 Thick x 1.25 x 51.50 Inches	2
12	68RM35-1303-1	Insulation, Neoprene, 0.25 Thick x 1.13 x 11.81 Inches	2
13	68RM35-1163-5	Insulation, Foam, 0.25 Thick x 7.00 x 11.50 Inches	1
14	34-00663-11	Washer, Split Lock, 1/4 Inch, SST	16
15	02-00134-00	Tape, Double Sided, Adhesive, 2.00 Inches X 180.00 Feet Long	1



9.6 Labels - Gaskets - Models 68RM35-604-63, -66, -70, -79, -82, -86

Kit 68RM35-171-18

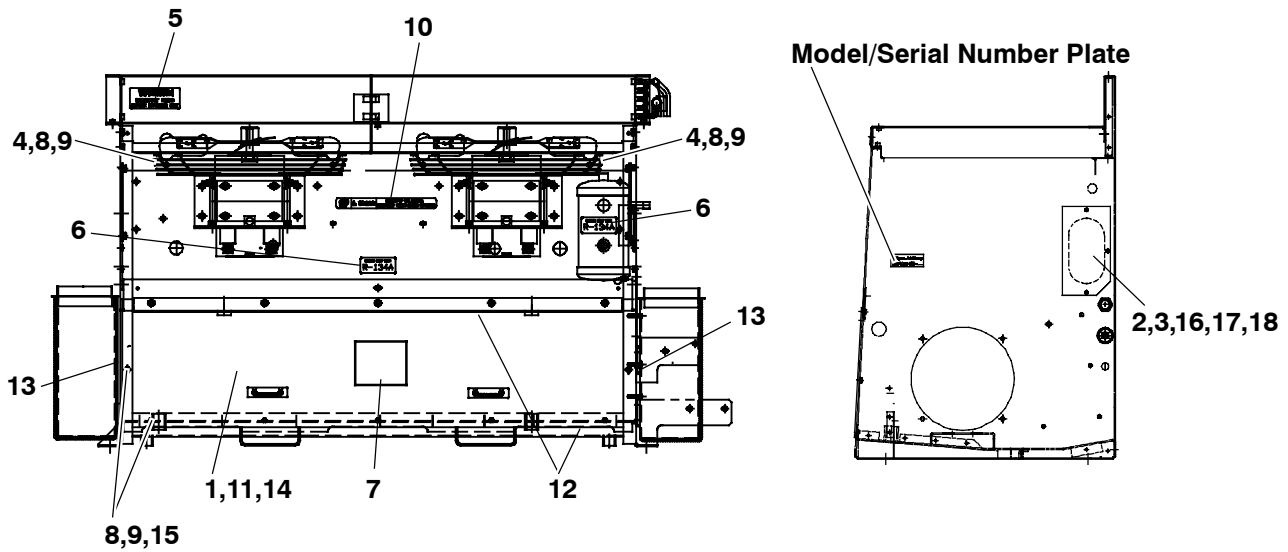


Item	Part Number	Description	Qty
1	68RM35-1004	Panel, Access, Painted	1
2	68-63213-00	Cover, Fresh Air, Painted	1
3	42-62089-00	Gasket, Fresh Air Cover, Neoprene	1
4	62-62001-00	Label, <b>Warning, Disconnect Power</b>	1
5	62-62039-00	Label, <b>Charge Only With R-134a</b>	2
6	56-0031	Label, <b>MCC</b>	2
7	34-00655-06	Bolt, Hex Head, 1/4 -20 x 3/4 Inch Long, SST	16
8	34-00662-11	Washer, Flat, 1/4 Inch, SST	16
9	62-62045-00	Label, <b>Warning, Fan Blades &amp; Disconnect Power</b>	1
10	68RM35-1163-4	Insulation, Foam, 1.00 Thick x 11.50 x 41.80 Inches	1
11	68RM35-1303	Insulation, Neoprene, 0.25 Thick x 1.25 x 51.50 Inches	2
12	68RM35-1303-1	Insulation, Neoprene, 0.25 Thick x 1.13 x 11.81 Inches	2
13	68RM35-1163-5	Insulation, Foam, 0.25 Thick x 7.00 x 11.50 Inches	1
14	34-00663-11	Washer, Split Lock, 1/4 Inch, SST	16
15	02-00134-00	Tape, Double Sided, Adhesive, 2.00 Inches X 180.00 Feet Long	1



9.7 Labels - Gaskets - Models 68RM35-604-96

Kit 77-00271-00

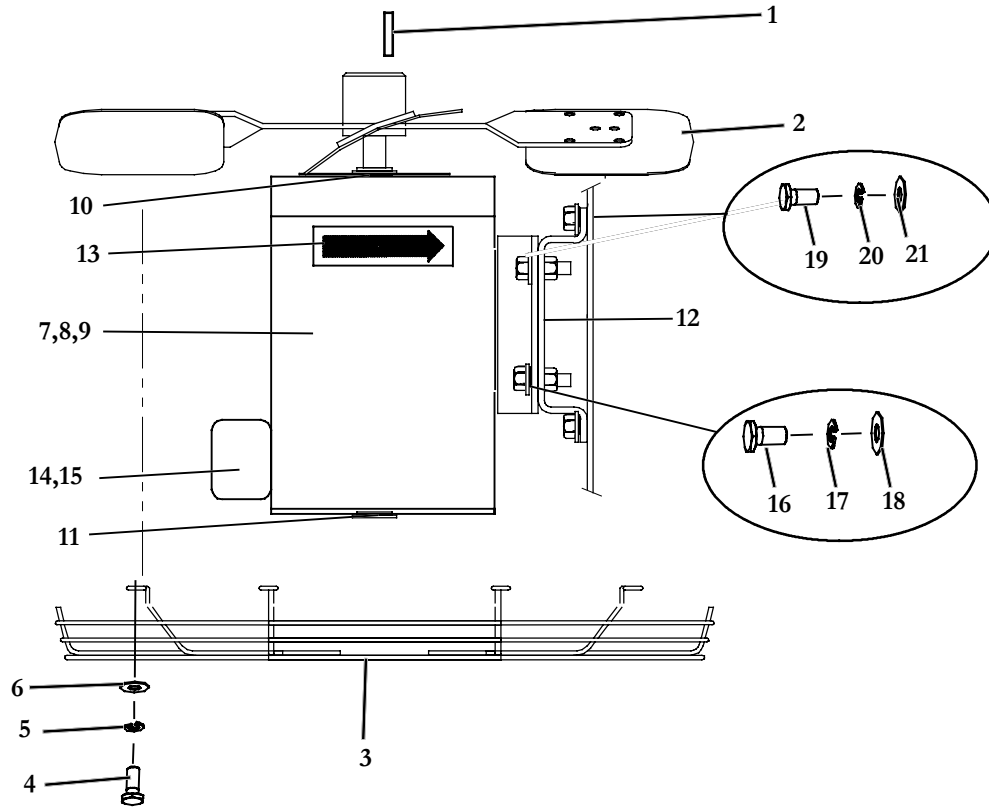


Item	Part Number	Description	Qty
1	68-62233-00	Panel, Access, Painted	1
2	68-62228-00	Cover, Fresh Air, Painted	1
3	42-62008-00	Gasket, Fresh Air Cover, Neoprene	1
4	68RM35-1133	Grille, Fan Guard, Condenser	2
5	62-62001-00	Label, Warning, Disconnect Power	1
6	62-62039-00	Label, <b>Charge Only With R-134a</b> - Models 68RM35-604-	2
7	56-0031	Label, <b>MCC</b>	1
8	34-00655-06	Bolt, Hex Head, 1/4 -20 x 3/4 Inch Long, SST	12
9	34-00662-11	Washer, Flat, 1/4 Inch, SST	12
10	62-62045-00	Label, <b>Warning, Fan Blades &amp; Disconnect Power</b>	1
11	68RM35-1163-4	Insulation, Foam, 1.00 Thick x 11.50 x 41.80 Inches	1
12	68RM35-1303	Insulation, Neoprene, 0.25 Thick x 1.25 x 51.50 Inches	2
13	42-62009-00	Insulation, Neoprene, 0.25 Thick x 1.13 x 10.81 Inches	2
14	68RM35-1163-5	Insulation, Neoprene, 0.25 Thick x 7.00 x 11.50 Inches	1
15	34-00663-11	Washer, Split Lock, 1/4 Inch, SST	12
16	34-00662-09	Washer, Flat, #10, SST	4
17	34-00360-09	Nut, Hex, Self-Locking, #10-32	4
18	02-00134-00	Tape, Double Sided, Adhesive, 2.00 Inches X 180.00 Feet Long	1



**10 CONDENSER FAN MOTOR ASSEMBLIES**

**10.1 Condenser Fan Motor Assemblies Common Parts - All Models**



Item	Part Number	Description	Qty
1	34-00672-00	Key, Square, 3/16 x 1-1/4 Inch	2
2	38-00516-00	Fan Blade, Condenser, CounterClockwise, 18 Inch Diameter	2
3	68RM35-1133	Grille, Fan Guard, Condenser	2
4	34-00655-06	Bolt, Hex Head, 1/4 -20 x 3/4 Inch Long, SST	8
5	34-00663-11	Washer, Split Lock, 1/4 Inch, SST	8
6	34-00662-11	Washer, Flat 1/4 Inch, SST	8
7	AC501-120	Motor, Condenser, GE .80 HP PM - Includes:	2
8	54-50067-00	Brush, Motor	4
9	54-50067-31	Holder, Brush	1



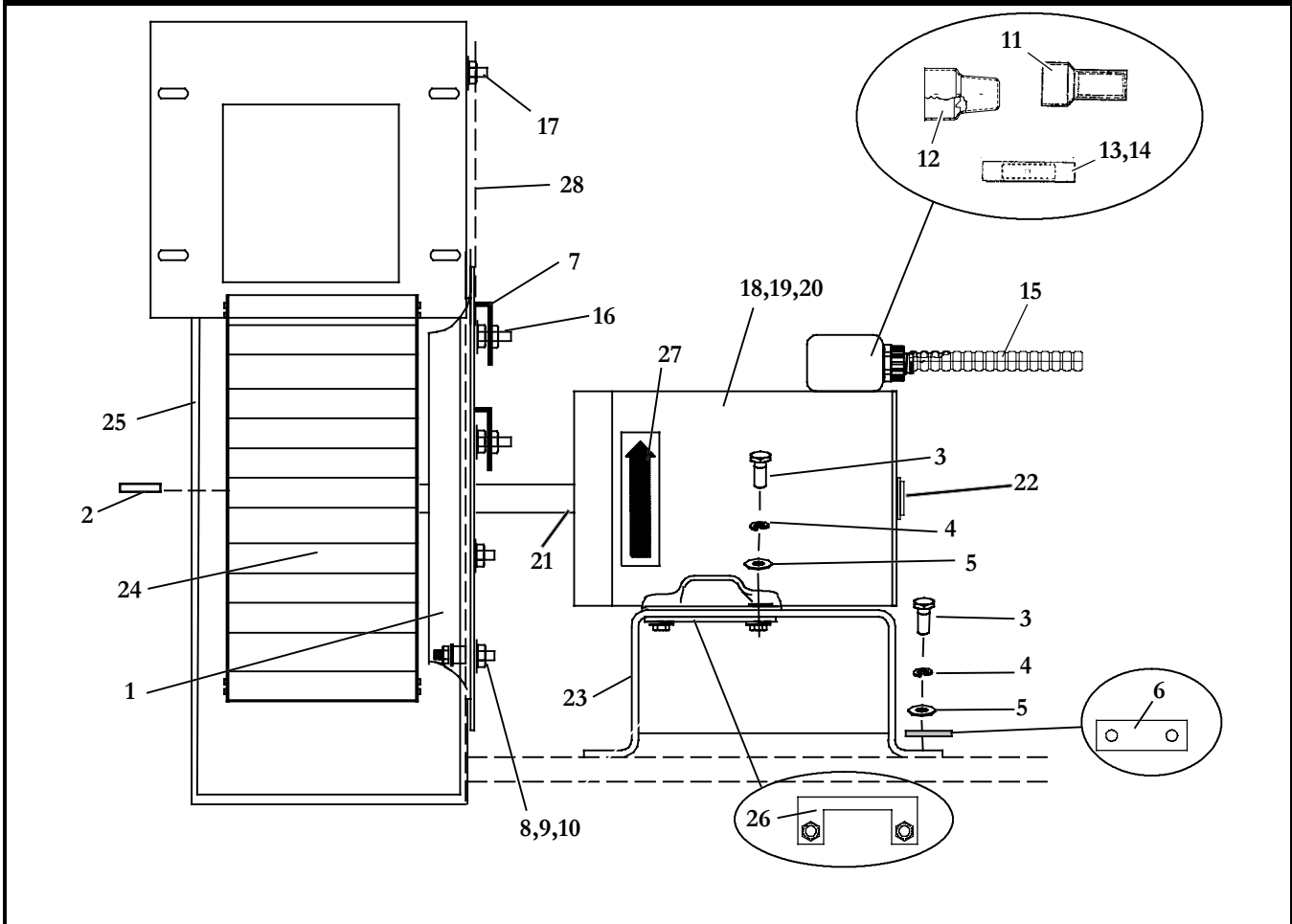


<b>10.2 Condenser Fan Motor Assemblies - Models 68RM35-104-40, -43, -45, 604-42, -43, -44, -45, -53, -54, -61, -62 -65, -73, -77, -78, -81, -88, -94, -95</b>			
<b>Item</b>	<b>Part Number</b>	<b>Description</b>	<b>Qty</b>
10	54-00122-23	Bearing, Shaft End	1
11	54-00122-23	Bearing, Opposite Shaft End	1
12	68RM35-187P	Bracket Assembly, Motor Mounting, Condenser, Painted	2
13	62-62038-00	Label, Arrow	2
14	22-01292-02	Terminal, Butt Connector, 14-16 Gauge	4
15	66U1-3803-15	Tubing, Heat Shrink, 3/16 Inch	4
16	34-00792-08	Bolt, Hex Head, 5/16-18 x 1 Inch Long, SST	8
17	34-00663-12	Washer, Split Lock, 5/16 Inch, SST	8
18	34-00662-12	Washer, Plain, 5/16 Inch, SST	8
19	34-00807-08	Bolt, Hex Head, 3/8-16 x 1 Inch Long, SST	8
20	34-00663-13	Washer, Split Lock, 3/8 Inch, SST	8
21	34-06212-14	Washer, Plain, 3/8 Inch, SST	8
<b>10.3 Condenser Fan Motor Assemblies - Models 68RM35-104-41, -42, 604-41, -46, -48, -49, -56, -59, -60, -67, -69, -71, -72, -75, -76, -83, -85, -87</b>			
<b>Item</b>	<b>Part Number</b>	<b>Description</b>	<b>Qty</b>
7	AC501-146	Motor, Fan, Condenser, .8HP, 24VDC, Wound Field - Includes:	2
8	54-00508-30	Brush, Motor	4
9	54-50067-31	Holder, Brush	1
10	54-00517-20	Bearing, Shaft End	1
11	54-00122-23	Bearing, Opposite Shaft End	1
12	68RM35-187P	Bracket Assembly, Motor Mounting, Condenser, Painted	2
13	62-62038-00	Label, Arrow	2
14	AC201-244	Terminal, Butt Connector, 14-16 Gauge	4
15	66U1-3803-15	Tubing, Heat Shrink, 3/16 Inch	4
16	34-00792-08	Bolt, Hex Head, 5/16-18 x 1 Inch Long, SST	8
17	34-00663-12	Washer, Split Lock, 5/16 Inch, SST	8
18	34-00662-12	Washer, Plain, 5/16 Inch, SST	8
19	34-00807-08	Bolt, Hex Head, 3/8-16 x 1 Inch Long, SST	8
20	34-00663-13	Washer, Split Lock, 3/8 Inch, SST	8
21	34-06212-14	Washer, Plain, 3/8 Inch, SST	8
<b>10.4 Condenser Fan Motor Assemblies - Models 68RM35-604-47, -50, -51, -52, -55, -58, -63, -64, -66, -68, -70, -74, -79, -80, -82, -84, -86, -90, -91, -92, -93, -96</b>			
7	54-00533-00	Motor, Fan, Condenser, .8HP, 24VDC, Brushless	2
12	68RM35-433P	Bracket Assembly, Motor Mounting, Condenser, Painted	2
14	22-02126-02	Cap, Insulator, Electrical	4
15	22-02126-03	Cap, Insulated, Electrical, #14 to #16 AWG	4
16	34-00807-08	Bolt, Hex Head, 3/8-16 x 1 Inch Long, SST	8
17	34-00663-13	Washer, Split Lock, 3/8 Inch, SST	8
18	34-06212-14	Washer, Plain, 3/8 Inch, SST	8
19	34-00807-08	Bolt, Hex Head, 3/8-16 x 1 Inch Long, SST	8
20	34-00663-13	Washer, Split Lock, 3/8 Inch, SST	8
21	34-06212-14	Washer, Plain, 3/8 Inch, SST	8



**11 EVAPORATOR BLOWER ASSEMBLY**

**11.1 Evaporator Blower Assembly Common Parts - All Models**



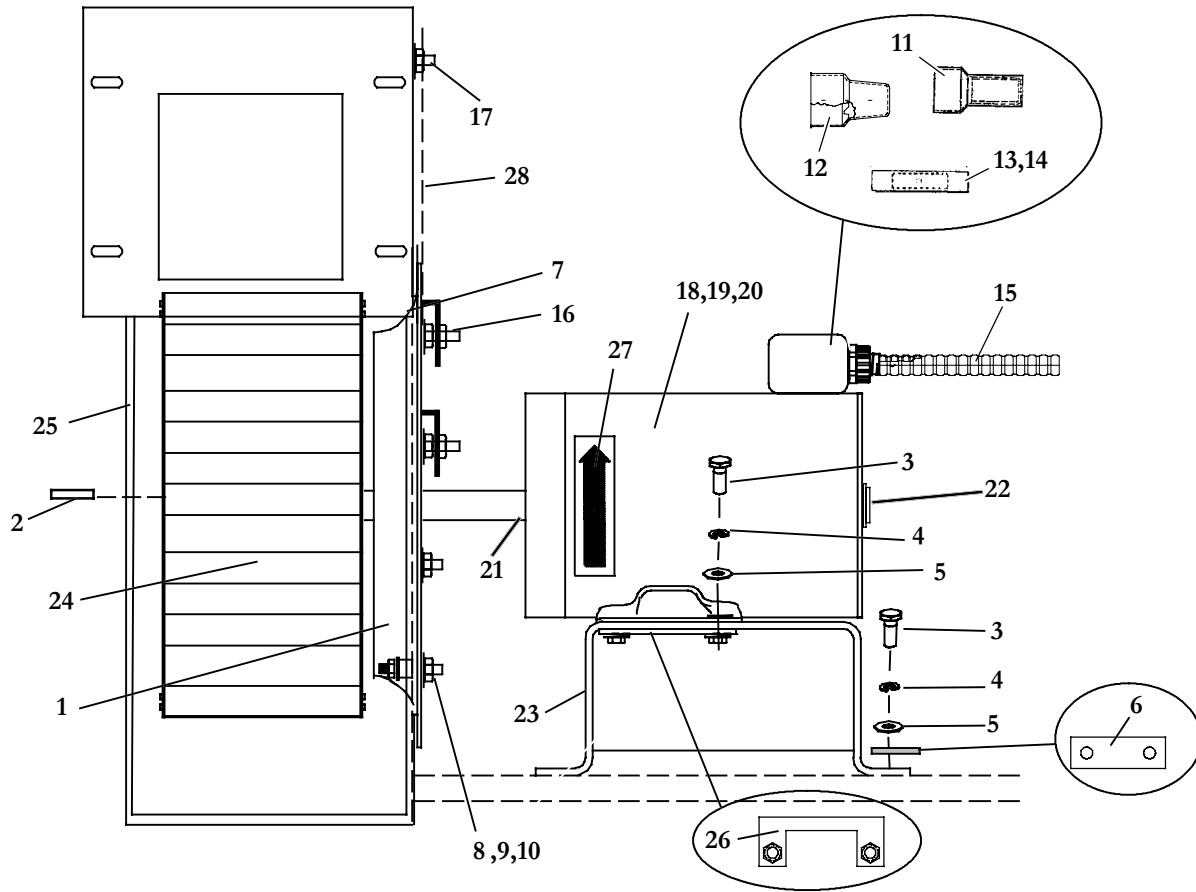
Item	Part Number	Description	Qty
1	68RM55-1076	Ring, Venturi, Plastic	2
2	34-00672-00	Key, Square, 3/16 x 1-1/4 Inch	2
3	34-00792-08	Bolt, Hex Head, 5/16-18 x 1 Inch Long, SST	A/R
4	34-00663-12	Washer, Split Lock, 5/16 Inch, SST	A/R
5	34-00662-12	Washer, Flat, 5/16 Inch, SST	A/R
6	68RM35-1106P	Plate, Motor Mount Washer, Painted (2 Required Per Motor)	4
7	68RM55-1142P	Clip, Venturi Ring, Painted	8
8	34-00662-11	Washer, Flat 1/4 Inch, SST	A/R
9	34-00663-11	Washer, Split Lock, 1/4 Inch, SST	A/R
10	34-00666-11	Nut, Hex, 1/4-20, SST	A/R
11	22-02126-02	Cap, Insulator, Electrical	A/R
12	22-02126-03	Cap, Insulated, Electrical, #14 to #16 AWG	A/R
13	22-01292-02	Terminal, Butt Connector, 14-16 Guage	4
14	66U1-3803-15	Tube, Heat Shrink, 3/16, With Adhesive	4
15	58-00850-00	Tubing, Split, Corrugated, 1 Inch ID x 75 Feet Long	1
16	34-00667-11	Nut, Hex, Lock ESNA 1/4-20 SST	A/R
17	34-00655-08	Bolt, Hex Head, 1/4-20 x 1 Inch Long, SST	2



<b>11.2 Evaporator Blower Assembly Models 68RM35-104-40, 604-42, -43</b>			
<b>Item</b>	<b>Part Number</b>	<b>Description</b>	<b>Qty</b>
18	54-00599-00	Motor, Blower, Evaporator, .75HP, 24VDC, Permanent Magnet - Includes:	2
19	54-50067-00	Brush, Motor	4
20	54-50067-31	Holder, Brush	1
21	54-00508-20	Bearing, Shaft End	1
22	54-00122-23	Bearing, Opposite Shaft End	1
23	86-62060-00	Bracket Assembly, Motor Mounting, Evaporator, Painted	2
24	38-00512-00	Blower Wheel, Clockwise, 9 Inch Diameter - <b>Roadside</b>	1
	38-00512-01	Blower Wheel, CounterClockwise, 9 Inch Diameter - <b>Curbside</b>	1
25	68RM35-878	Blower Housing - <b>Curbside</b>	1
	68RM35-554-1	Blower Housing (Coated) - <b>Roadside</b>	1
26	68RM40-202-2P	Bracket Assembly, Painted (2 Required Per Motor)	4
27	62-62038-00	Label, Arrow	2
28	68RM35-1153	Insulation, Blower Housing, 0.38 Foam - <b>Roadside</b>	1
	68RM35-1153-1	Insulation, Blower Housing, 0.38 Foam - <b>Curbside</b>	1
<b>11.3 Evaporator Blower Assembly Models 68RM35-104-41, 604-48</b>			
18	AC501-148	Motor, Blower, Evaporator, .8HP, 24VDC, Wound Field - Includes:	2
19	54-00508-30	Brush, Motor	4
20	54-50067-31	Holder, Brush	1
21	54-00517-20	Bearing, Shaft End	1
22	54-00122-23	Bearing, Opposite Shaft End	1
23	68RM35-117P	Bracket Assembly, Motor Mounting, Evaporator, Painted	2
24	38-00512-00	Blower Wheel, Clockwise, 9 Inch Diameter - <b>Curbside</b>	1
	38-00512-01	Blower Wheel, CounterClockwise, 9 Inch Diameter - <b>Roadside</b>	1
25	68RM35-554	Blower Housing - <b>Roadside</b>	1
	68RM35-554-1	Blower Housing - <b>Curbside</b>	1
26	68RM40-202-3P	Bracket Assembly, Painted (2 Required Per Motor)	4
27	62-62038-00	Label, Arrow	2
28	68RM35-1153	Insulation, Blower Housing, 0.38 Foam - <b>Curbside</b>	1
	68RM35-1153-1	Insulation, Blower Housing, 0.38 Foam - <b>Roadside</b>	1
<b>11.4 Evaporator Blower Assembly Models 68RM35-104-42, 604-46</b>			
18	AC501-148	Motor, Blower, Evaporator, .8HP, 24VDC, Wound Field - Includes:	2
19	54-00508-30	Brush, Motor	4
20	54-50067-31	Holder, Brush	1
21	54-00517-20	Bearing, Shaft End	1
22	54-00122-23	Bearing, Opposite Shaft End	1
23	86-62061-00	Bracket Assembly, Motor Mounting, Evaporator, Painted	2
24	38-00512-00	Blower Wheel, CounterClockwise, 9 Inch Diameter - <b>Roadside</b>	1
	38-00512-01	Blower Wheel, Clockwise, 9 Inch Diameter - <b>Curbside</b>	1
25	68RM35-878	Blower Housing - <b>Curbside</b>	1
	68RM35-554-1	Blower Housing - <b>Roadside</b>	1
26	68RM40-202-3P	Bracket Assembly, Painted (2 Required Per Motor)	4
27	62-62038-00	Label, Arrow	2
28	68RM35-1153	Insulation, Blower Housing, 0.38 Foam - <b>Curbside</b>	1
	68RM35-1153-1	Insulation, Blower Housing, 0.38 Foam - <b>Roadside</b>	1



11.5 Evaporator Blower Assembly Model 68RM35-604-41



**NOTE: Part Numbers And Descriptions For Items 1 Thru 17 Are Found In Section**

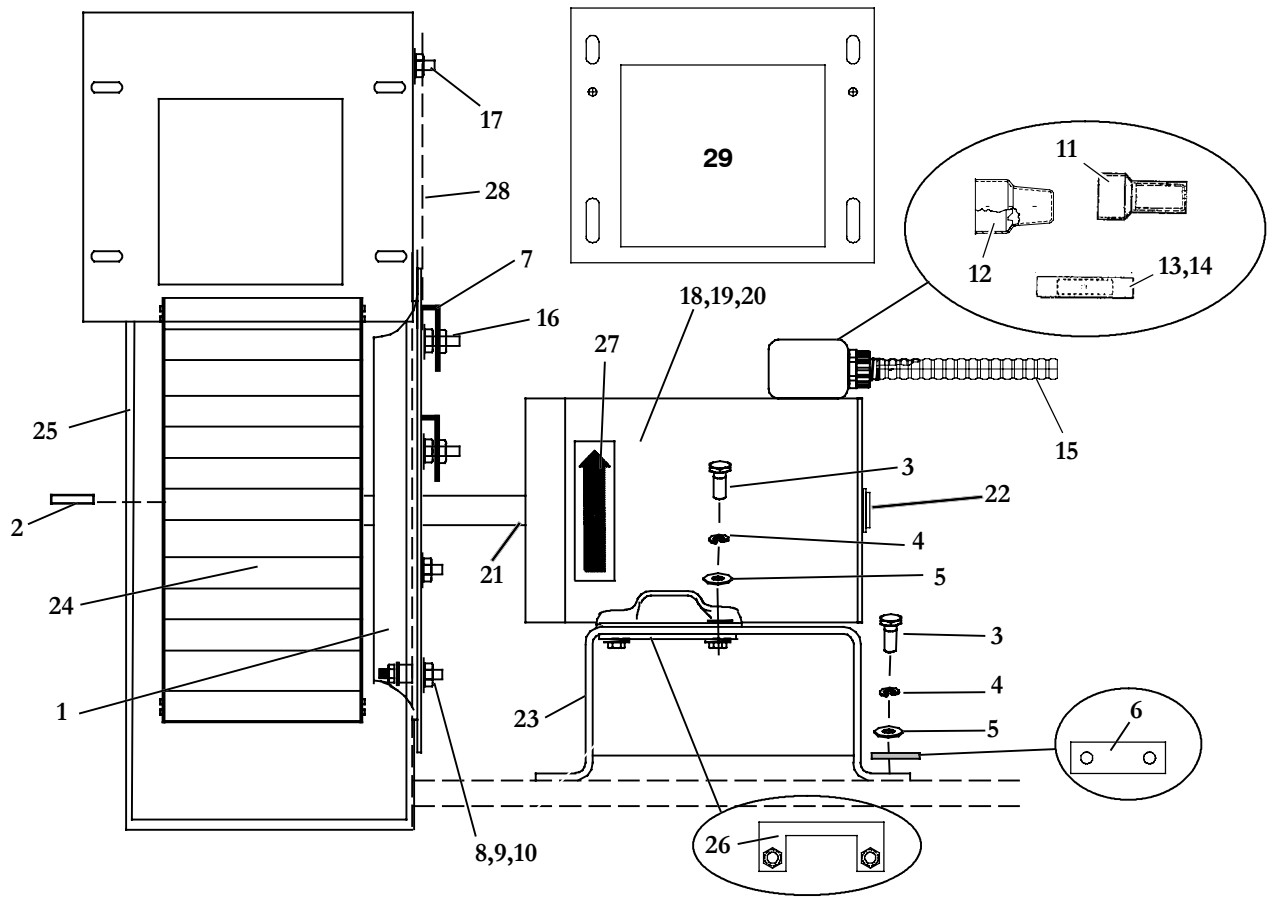
Item	Part Number	Description	Qty
18	54-00599-00	Motor, Blower, Evaporator, .75HP, 24VDC, Permanent Magnet - Includes:	2
19	54-50067-00	Brush, Motor	4
20	54-50067-31	Holder, Brush	1
21	54-00508-20	Bearing, Shaft End	1
22	54-00122-23	Bearing, Opposite Shaft End	1
23	68RM35-107P	Bracket Assembly, Motor Mounting, Evaporator, Painted	2
24	38-00512-00	Blower Wheel, Clockwise, 9 Inch Diameter - <b>Curbside</b>	1
	38-00512-01	Blower Wheel, CounterClockwise, 9 Inch Diameter - <b>Roadside</b>	1
25	68RM35-888	Blower Housing - <b>Roadside</b>	1
	68RM35-888-1	Blower Housing - <b>Curbside</b>	1
26	68RM40-202-2P	Bracket Assembly, Painted (2 Required Per Motor)	4
27	62-62038-00	Label, Arrow	2
28	68RM35-1153	Insulation, Blower Housing, 0.38 Foam - <b>Roadside</b>	1
	68RM35-1153-1	Insulation, Blower Housing, 0.38 Foam - <b>Curbside</b>	1



<b>11.6 Evaporator Blower Assembly Model 68RM35-604-44, -45</b>			
<b>Item</b>	<b>Part Number</b>	<b>Description</b>	<b>Qty</b>
18	54-00599-00	Motor, Blower, Evaporator, .75HP, 24VDC, Permanent Magnet - Includes:	2
19	54-50067-00	Brush, Motor	4
20	54-50067-31	Holder, Brush	1
21	54-00508-20	Bearing, Shaft End	1
22	54-00122-23	Bearing, Opposite Shaft End	1
23	68RM35-107P	Bracket Assembly, Motor Mounting, Evaporator, Painted	2
24	38-00512-00	Blower Wheel, Clockwise, 9 Inch Diameter - <b>Curbside</b>	1
	38-00512-01	Blower Wheel, CounterClockwise, 9 Inch Diameter - <b>Roadside</b>	1
25	68RM35-898	Blower Housing - <b>Roadside</b>	1
	68RM35-898-1	Blower Housing - <b>Curbside</b>	1
26	68RM40-202-2P	Bracket Assembly, Painted (2 Required Per Motor)	4
27	62-62038-00	Label, Arrow	2
28	68RM35-1153	Insulation, Blower Housing, 0.38 Foam - <b>Roadside</b>	1
	68RM35-1153-1	Insulation, Blower Housing, 0.38 Foam - <b>Curbside</b>	1
<b>11.7 Evaporator Blower Assembly Models 68RM35-604-47, -50</b>			
18	AC501-152	Motor, Evaporator Blower, .75HP, 24VDC, Brushless	2
23	86-62060-00	Bracket Assembly, Motor Mounting, Evaporator, Painted	2
24	38-00512-00	Blower Wheel, Clockwise, 9.00 Diameter - <b>Roadside</b>	1
	38-00512-01	Blower Wheel, CounterClockwise, 9.00 Diameter - <b>Curbside</b>	1
25	68RM35-878	Blower Housing (Coated) - <b>Curbside</b>	1
	68RM35-554-1	Blower Housing (Coated) - <b>Roadside</b>	1
26	68RM40-202-2P	Bracket Assembly, Painted (2 Required Per Motor)	4
28	68RM35-1153	Insulation, Blower Housing, 0.38 Foam - <b>Curbside</b>	1
	68RM35-1153-1	Insulation, Blower Housing, 0.38 Foam - <b>Roadside</b>	1
<b>11.8 Evaporator Blower Assembly Models 68RM35-104-43, 604-54</b>			
18	54-00599-00	Motor, Blower, Evaporator, .75HP, 24VDC, Permanent Magnet - Includes:	2
19	54-50067-00	Brush, Motor	4
20	54-50067-31	Holder, Brush	1
21	54-00508-20	Bearing, Shaft End	1
22	54-00122-23	Bearing, Opposite Shaft End	1
23	68RM35-107P	Bracket Assembly, Motor Mounting, Evaporator, Painted	2
24	38-00512-00	Blower Wheel, Clockwise, 9 Inch Diameter - <b>Roadside</b>	1
	38-00512-01	Blower Wheel, CounterClockwise, 9 Inch Diameter - <b>Curbside</b>	1
25	38-00565-00	Blower Housing (Coated) - <b>Curbside</b>	1
	38-00565-02	Blower Housing (Coated) - <b>Roadside</b>	1
26	68RM40-202-2P	Bracket Assembly, Painted (2 Required Per Motor)	4
27	62-62038-00	Label, Arrow	2
28	42-62030-00	Insulation, Blower Housing, 0.38 Foam - <b>Curbside</b>	1
	42-62030-01	Insulation, Blower Housing, 0.38 Foam - <b>Roadside</b>	1



11.9 Evaporator Blower Assembly Models 68RM35-104-45, 604-61, -62, -77, -78, -88, -95



**NOTE: Part Numbers And Descriptions For Items 1 Thru 17 Are Found In Section**

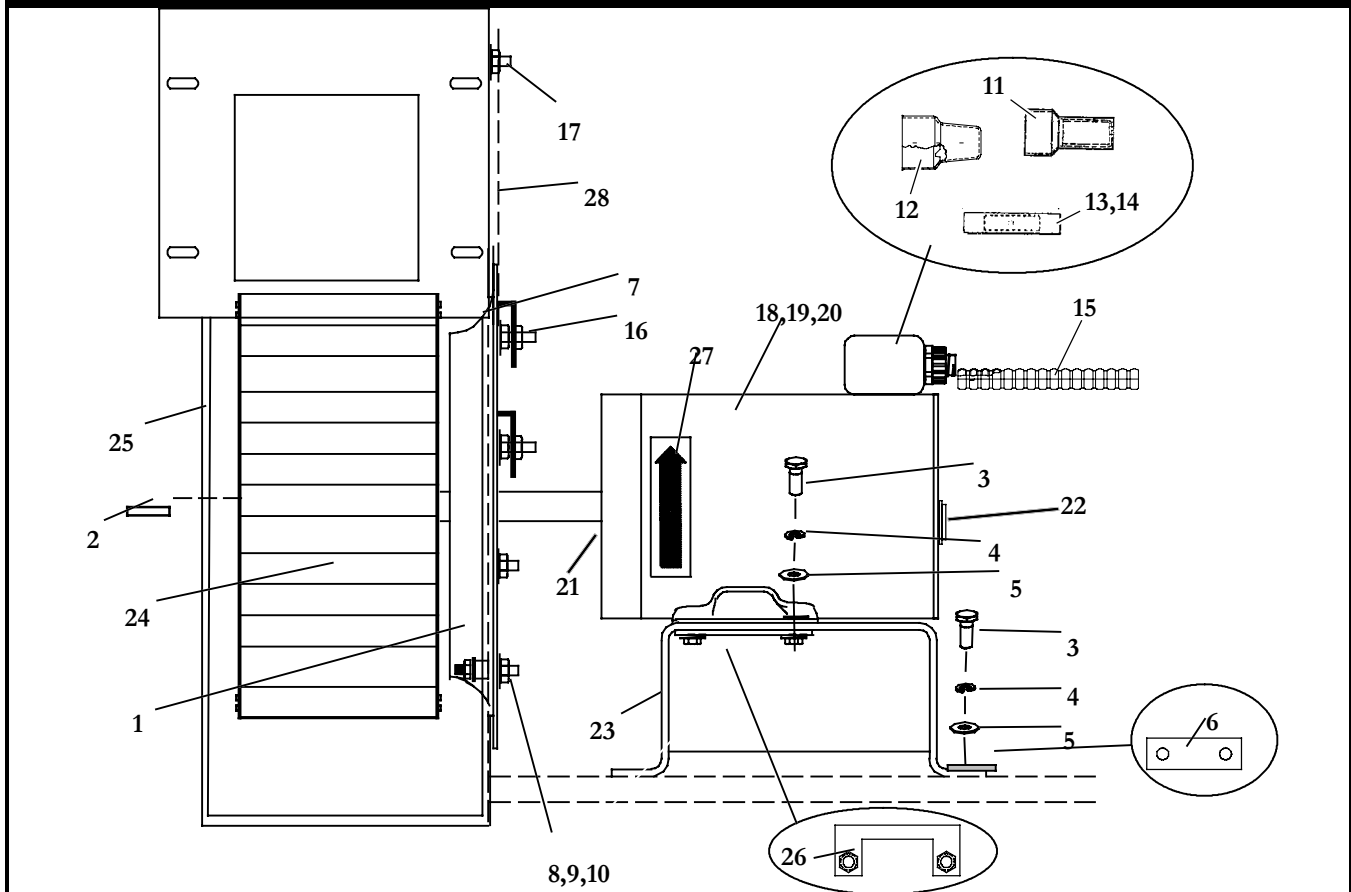
Item	Part Number	Description	Qty
18	54-00599-00	Motor, Evaporator Blower, .75HP, 24VDC, Permanent Magnet - Includes:	2
19	54-50067-00	Brush, Motor	4
20	54-50067-31	Holder, Brush, Motor	1
21	54-00508-20	Bearing, Shaft End	1
22	54-00122-23	Bearing, Opposite Shaft End	1
23	68RM35-107P	Bracket Assembly, Motor Mounting, Evaporator, Painted	2
24	38-00512-00	Blower Wheel, CounterClockwise, 9.00 Diameter - <b>Roadside</b>	1
	38-00512-01	Blower Wheel, Clockwise, 9.00 Diameter - <b>Curbside</b>	1
25	38-00571-00	Blower Housing (Coated) - <b>Curbside</b>	1
	38-00571-01	Blower Housing (Coated) - <b>Roadside</b>	1
26	68RM40-202-2P	Bracket Assembly, Painted (2 Required Per Motor)	4
27	62-62038-00	Label, Rotation Arrow	4
28	42-62070-00	Insulation, Blower Housing - <b>Curbside</b>	1
	42-62070-01	Insulation, Blower Housing - <b>Roadside</b>	1
29	68-62942-00	Flange Assembly, Adapter, Blower Housing, Painted	2



<b>11.10 Evaporator Blower Assembly Models 68RM35-604-60, -67, -71, -76, -83, -87</b>			
<b>Item</b>	<b>Part Number</b>	<b>Description</b>	<b>Qty</b>
18	AC501-148	Motor, Evaporator Blower, .75HP, 24VDC, Wound Field - Includes:	2
19	54-00508-30	Brush, Motor	4
20	54-00517-20	Bearing, Shaft End	1
21	54-00122-23	Bearing, Opposite Shaft End	1
22	54-50067-31	Holder, Brush, Motor	1
23	68RM35-117P	Bracket Assembly, Motor Mounting, Evaporator, Painted	2
24	38-00512-00	Blower Wheel, Clockwise, 9.00 Diameter - <b>Roadside</b>	1
	38-00512-01	Blower Wheel, CounterClockwise, 9.00 Diameter - <b>Curbside</b>	1
25	38-00571-00	Blower Housing (Coated) - <b>Curbside</b>	1
	38-00571-01	Blower Housing (Coated) - <b>Roadside</b>	1
26	68RM40-202-3P	Bracket Assembly, Painted (2 Required Per Motor)	4
27	62-62038-00	Label, Rotation Arrow	4
28	42-62070-00	Insulation, Blower Housing - <b>Curbside</b>	1
	42-62070-01	Insulation, Blower Housing - <b>Roadside</b>	1
29	68-62942-00	Flange Assembly, Adapter, Blower Housing, Painted	2
<b>11.11 Evaporator Blower Assembly Models 68RM35-604-51, -55</b>			
18	AC501-152	Motor, Evaporator Blower, .75HP, 24VDC, Brushless	2
23	68RM35-107P	Bracket Assembly, Motor Mounting, Evaporator, Painted	2
24	38-00512-00	Blower Wheel, Clockwise, 9.00 Diameter - <b>Roadside</b>	1
	38-00512-01	Blower Wheel, CounterClockwise, 9.00 Diameter - <b>Curbside</b>	1
25	38-00565-00	Blower Housing (Coated) - <b>Curbside</b>	1
	38-00565-02	Blower Housing (Coated) - <b>Roadside</b>	1
26	68RM40-202-2P	Bracket Assembly, Painted (2 Required Per Motor)	4
28	42-62030-00	Insulation, Blower Housing, 0.38 Foam - <b>Curbside</b>	1
	42-62030-01	Insulation, Blower Housing, 0.38 Foam - <b>Roadside</b>	1
<b>11.12 Evaporator Blower Assembly Models 68RM35-604-52</b>			
18	AC501-152	Motor, Evaporator Blower, .75HP, 24VDC, Brushless	2
23	68RM35-107P	Bracket Assembly, Motor Mounting, Evaporator, Painted	2
24	38-00512-00	Blower Wheel, Clockwise, 9.00 Diameter - <b>Curbside</b>	1
	38-00512-01	Blower Wheel, CounterClockwise, 9.00 Diameter - <b>Roadside</b>	1
25	68RM35-898	Blower Housing - <b>Roadside</b>	1
	68RM35-898-1	Blower Housing - <b>Curbside</b>	1
26	68RM40-202-2P	Bracket Assembly, Painted (2 Required Per Motor)	4
28	68RM35-1153	Insulation, Blower Housing, 0.38 Foam - <b>Roadside</b>	1
	68RM35-1153-1	Insulation, Blower Housing, 0.38 Foam - <b>Curbside</b>	1



11.13 Evaporator Blower Assembly Models 68RM35-604-53, -65 -73, -81



**NOTE: Part Numbers And Descriptions For Items 1 Thru 17 Are Found In Section**

Item	Part Number	Description	Qty
18	54-00599-00	Motor, Evaporator Blower, .75HP, 24VDC, Permanent Magnet - Includes:	2
19	54-50067-00	Brush, Motor	4
20	54-50067-31	Holder, Brush, Motor	1
21	54-00508-20	Bearing, Shaft End	1
22	54-00122-23	Bearing, Opposite Shaft End	1
23	68RM35-107P	Bracket Assembly, Motor Mounting, Evaporator, Painted	2
24	38-00512-00	Blower Wheel, Clockwise, 9.00 Diameter - <b>Curbside</b>	1
	38-00512-01	Blower Wheel, Counterclockwise, 9.00 Diameter - <b>Roadside</b>	1
25	38-00571-00	Blower Housing (Coated) - <b>Roadside</b>	1
	38-00571-01	Blower Housing (Coated) - <b>Curbside</b>	1
26	68RM40-202-2P	Bracket Assembly, Painted (2 Required Per Motor)	4
27	62-62038-00	Label, Rotation Arrow	4
28	42-62070-00	Insulation, Blower Housing - <b>Roadside</b>	1
	42-62070-01	Insulation, Blower Housing - <b>Curbside</b>	1

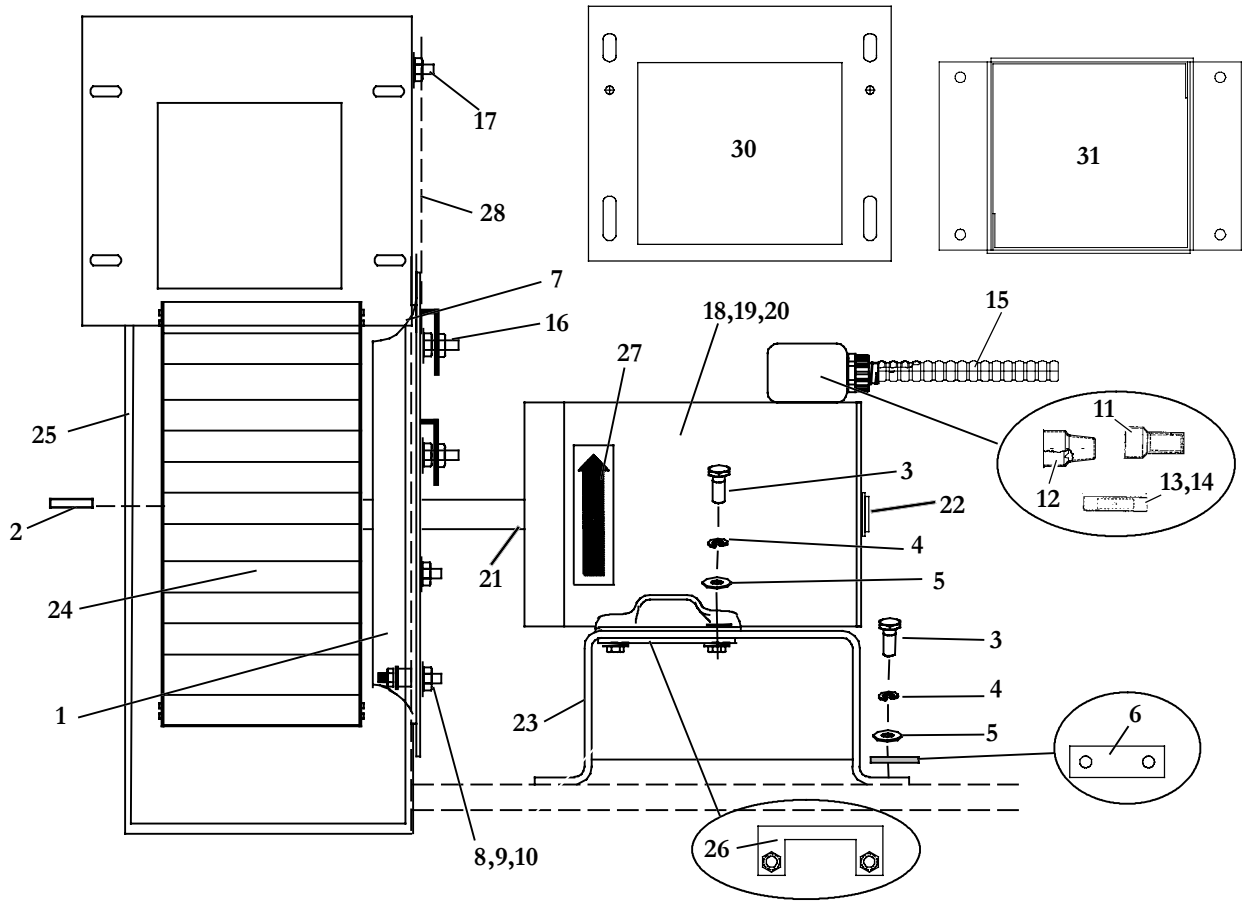




<b>11.14 Evaporator Blower Assembly Models 68RM35-604-56</b>			
<b>Item</b>	<b>Part Number</b>	<b>Description</b>	<b>Qty</b>
18	AC501-148	Motor, Evaporator Blower, .75HP, 24VDC, Wound Field - Includes:	2
19	54-00508-30	Brush Motor	4
20	54-00517-20	Bearing, Shaft End	1
21	54-00122-23	Bearing, Opposite Shaft End	1
22	54-50067-31	Holder, Brush, Motor	1
23	68RM35-117P	Bracket Assembly, Motor Mounting, Evaporator, Painted	2
24	38-00512-00	Blower Wheel, Clockwise, 9.00 Diameter - <b>Roadside</b>	1
	38-00512-01	Blower Wheel, CounterClockwise, 9.00 Diameter - <b>Curbside</b>	1
25	38-00565-00	Blower Housing (Coated) - <b>Curbside</b>	1
	38-00565-02	Blower Housing (Coated) - <b>Roadside</b>	1
26	68RM40-202-3P	Bracket Assembly, Painted (2 Required Per Motor)	4
27	62-62038-00	Label, Rotation Arrow	4
28	42-62030-00	Insulation, Blower Housing, 0.38 Foam - <b>Curbside</b>	1
	42-62030-01	Insulation, Blower Housing, 0.38 Foam - <b>Roadside</b>	1



11.15 Evaporator Blower Assembly Models 68RM35-604-59, -69, -75, -85



**NOTE: Part Numbers And Descriptions For Items 1 Thru 17 Are Found In Section**

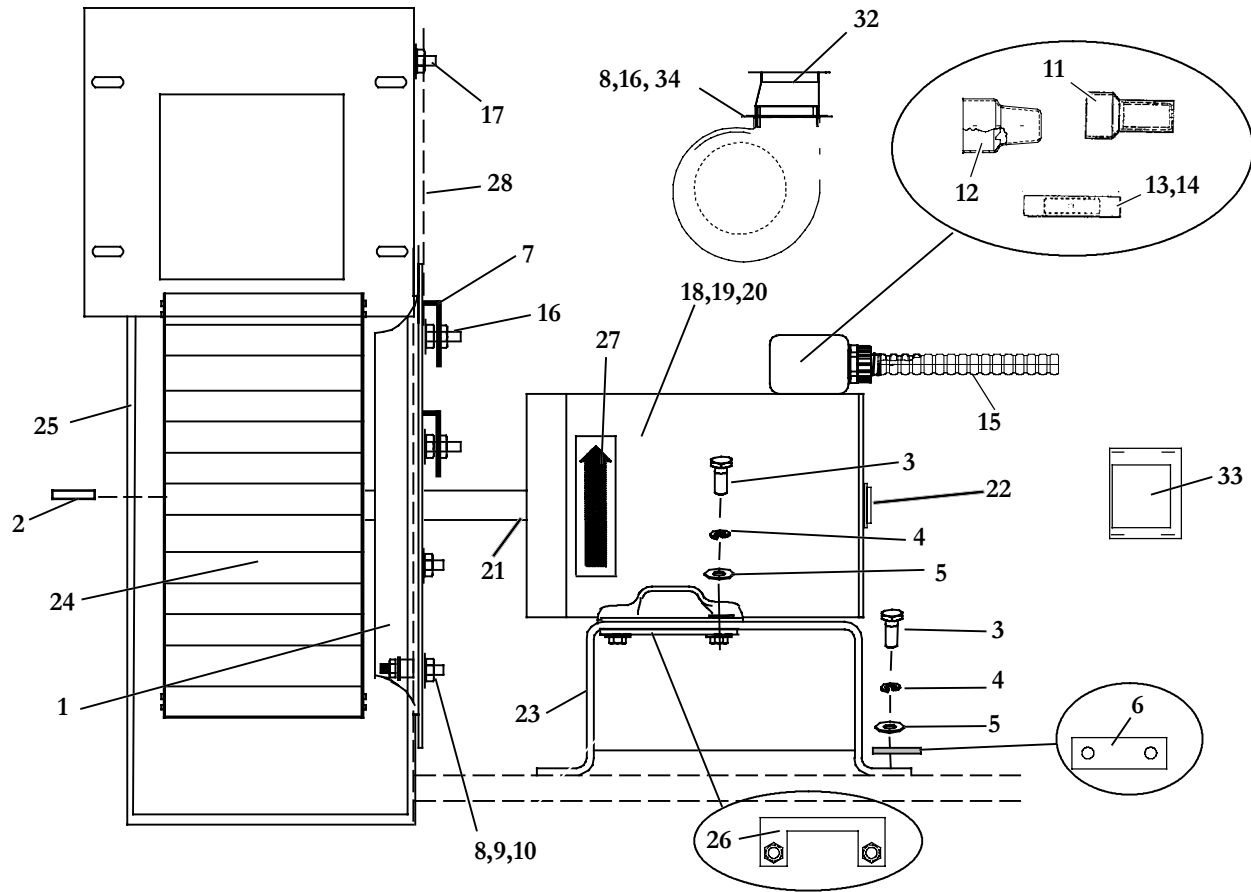
Item	Part Number	Description	Qty
18	AC501-148	Motor, Evaporator Blower, .75HP, 24VDC, Wound Field - Includes:	2
19	54-00508-30	Brush, Motor	4
20	54-00517-20	Bearing, Shaft End	1
21	54-00122-23	Bearing, Opposite Shaft End	1
22	54-50067-31	Holder, Brush, Motor	1
23	68RM35-117P	Bracket Assembly, Motor Mounting, Evaporator, Painted	2
24	38-00512-00	Blower Wheel, Clockwise, 9.00 Diameter - <b>Curbside</b>	1
	38-00512-01	Blower Wheel, CounterClockwise, 9.00 Diameter - <b>Roadside</b>	1
25	38-00571-00	Blower Housing (Coated) - <b>Roadside</b>	1
	38-00571-01	Blower Housing (Coated) - <b>Curbside</b>	1
26	68RM40-202-2P	Bracket Assembly, Painted (2 Required Per Motor)	4
27	62-62038-00	Label, Rotation Arrow	4
28	42-62070-00	Insulation, Blower Housing - <b>Roadside</b>	1
	42-62070-01	Insulation, Blower Housing - <b>Curbside</b>	1
30	68-62942-00	Flange Assembly, Adapter, Blower Housing, Painted	2
31	86-62261-00	Duct Assembly, Adapter, With Flange, Painted	2



<b>11.16 Evaporator Blower Assembly Models 68RM35-604-58, -74, -90, -92</b>			
<b>Item</b>	<b>Part Number</b>	<b>Description</b>	<b>Qty</b>
18	AC501-152	Motor, Evaporator Blower, .75HP, 24VDC, Brushless	2
23	68RM35-107	Bracket Assembly, Motor Mounting, Evaporator, Painted	2
24	38-00512-00	Blower Wheel, Clockwise, 9.00 Diameter - <b>Roadside</b>	1
	38-00512-01	Blower Wheel, CounterClockwise, 9.00 Diameter - <b>Curbside</b>	1
25	38-00571-00	Blower Housing (Coated) - <b>Curbside</b>	1
	38-00571-01	Blower Housing (Coated) - <b>Roadside</b>	1
26	68RM40-202-2P	Bracket Assembly, Painted (2 Required Per Motor)	4
28	42-62070-00	Insulation, Blower Housing - <b>Curbside</b>	1
	42-62070-01	Insulation, Blower Housing - <b>Roadside</b>	1
30	68-62942-00	Flange Assembly, Adapter, Blower Housing, Painted	2
<b>11.17 Evaporator Blower Assembly Models 68RM35-604-63, -64, -66, -70, -79, -80, -82, -86</b>			
18	AC501-152	Motor, Evaporator Blower, .75HP, 24VDC, Brushless	2
23	68RM35-107	Bracket Assembly, Motor Mounting, Evaporator, Painted	2
24	38-00512-00	Blower Wheel, Clockwise, 9.00 Diameter - <b>Curbside</b>	1
	38-00512-01	Blower Wheel, CounterClockwise, 9.00 Diameter - <b>Roadside</b>	1
25	38-00571-00	Blower Housing (Coated) - <b>Roadside</b>	1
	38-00571-01	Blower Housing (Coated) - <b>Curbside</b>	1
26	68RM40-202-2P	Bracket Assembly, Painted (2 Required Per Motor)	4
28	42-62070-00	Insulation, Blower Housing - <b>Roadside</b>	1
	42-62070-01	Insulation, Blower Housing - <b>Curbside</b>	1
30	68-62942-00	Flange Assembly, Adapter, Blower Housing, Painted	2
<b>11.18 Evaporator Blower Assembly Models 68RM35-604-68, -84, -91, -93, -96</b>			
18	AC501-152	Motor, Evaporator Blower, .75HP, 24VDC, Brushless	2
23	68RM35-107	Bracket Assembly, Motor Mounting, Evaporator, Painted	2
24	38-00512-00	Blower Wheel, Clockwise, 9.00 Diameter - <b>Roadside</b>	1
	38-00512-01	Blower Wheel, CounterClockwise, 9.00 Diameter - <b>Curbside</b>	1
25	38-00571-00	Blower Housing (Coated) - <b>Curbside</b>	1
	38-00571-01	Blower Housing (Coated) - <b>Roadside</b>	1
26	68RM40-202-2P	Bracket Assembly, Painted (2 Required Per Motor)	4
28	42-62070-00	Insulation, Blower Housing - <b>Curbside</b>	1
	42-62070-01	Insulation, Blower Housing - <b>Roadside</b>	1
30	68-62942-00	Flange Assembly, Adapter, Blower Housing, Painted - Used In Units 68RM35-604-68, -84, -91, -93 Only	2



11.19 Evaporator Blower Assembly Models 68RM35-604-49, -72



**NOTE: Part Numbers And Descriptions For Items 1 Thru 17 Are Found In Section**

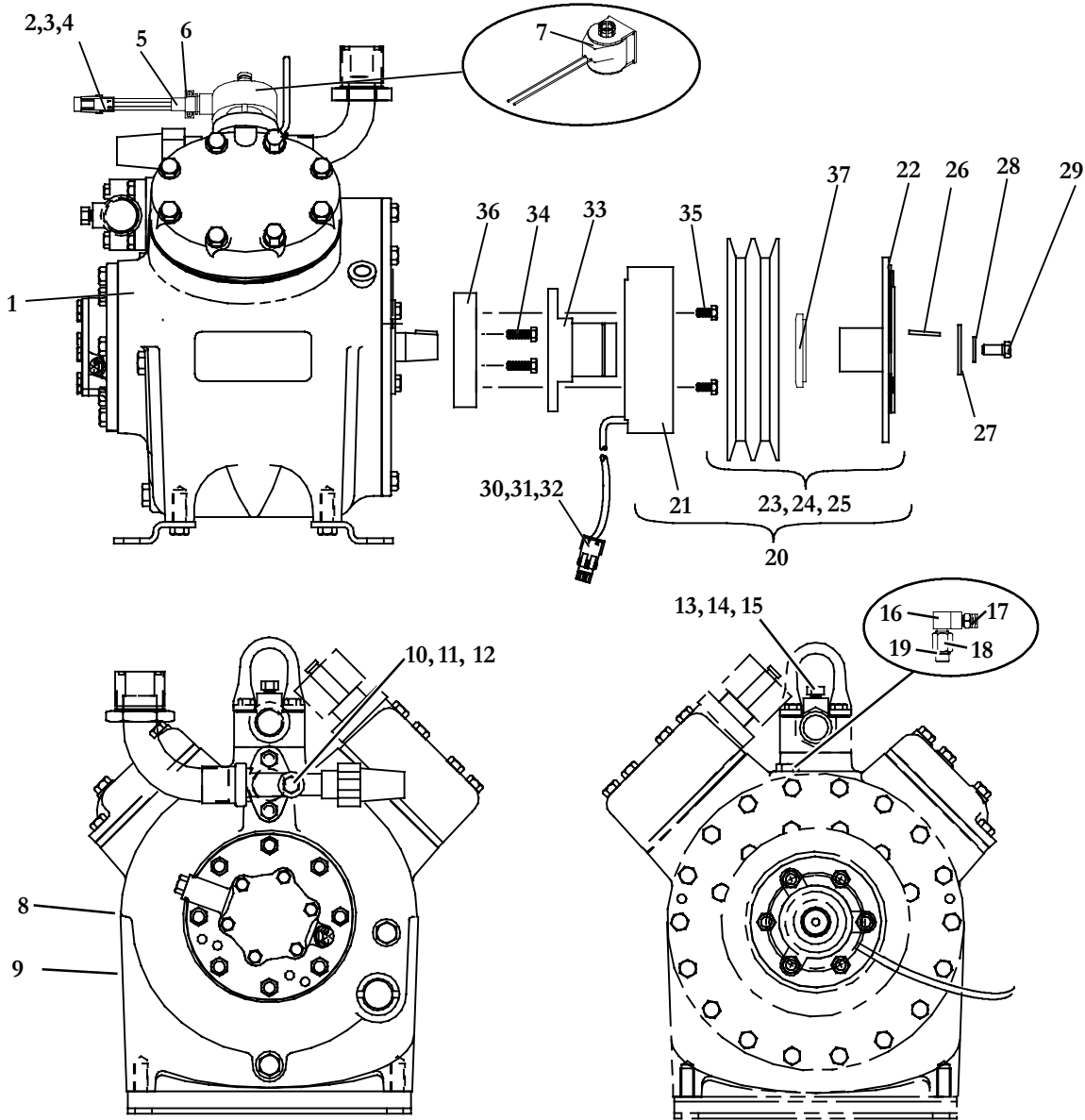
Item	Part Number	Description	Qty
18	AC501-148	Motor, Evaporator Blower, .75HP, 24VDC, Wound Field - Includes:	2
19	54-00508-30	Brush, Motor	4
20	54-00517-20	Bearing, Shaft End	1
21	54-00122-23	Bearing, Opposite Shaft End	1
22	54-50067-31	Holder, Brush, Motor	1
23	68RM35-117P	Bracket Assembly, Motor Mounting, Evaporator, Painted	2
24	38-00512-00	Blower Wheel, Clockwise, 9.00 Diameter - <b>Roadside</b>	1
	38-00512-01	Blower Wheel, CounterClockwise, 9.00 Diameter - <b>Curbside</b>	1
25	38-00571-00	Blower Housing (Coated) - <b>Curbside</b>	1
	38-00571-01	Blower Housing (Coated) - <b>Roadside</b>	1
26	68RM40-202-3P	Bracket Assembly, Painted (2 Required Per Motor)	4
27	62-62038-00	Label, Rotation Arrow	4
28	42-62070-00	Insulation, Blower Housing - <b>Curbside</b>	1
	42-62070-01	Insulation, Blower Housing - <b>Roadside</b>	1
32	86-03085-00	Duct Extension Assembly, Rubber Transition - <b>Roadside</b>	1
	86-03085-01	Duct Extension Assembly, Rubber Transition - <b>Curbside</b>	1
33	42-01222-01	Gasket, Blower Housing To Duct Extension	2
34	34-00655-06	Bolt, Hex Head, 1/4-20 x 1 Inch Long, SST	8



## 12 COMPRESSOR INSTALLATION COMPONENTS

### 12.1 Compressor Installation Components - 05K Systems - Common Parts

**NOTE: Replacement Coils (7) do not require Sleeves (5) or 2-Screw Connectors (6).**



Item	Part Number	Description	Qty
1	18-00056-100RM	Compressor Assembly, 05K Service (Remanufactured, 24 CFM, R-134a)	1
2	22-02392-01	Connector, 2 Pin, Medium Gray	1
3	22-02393-01	Terminal, Male (18-20 AWG)	2
4	22-02394-00	Seal, Cable, Gray	2
5	66NS0801CD0020	Sleeve, 0.50 ID x .062W x 2.00 Inches Long	1
6	69ND35-1781	Connector, Straight, 2-Screw	1



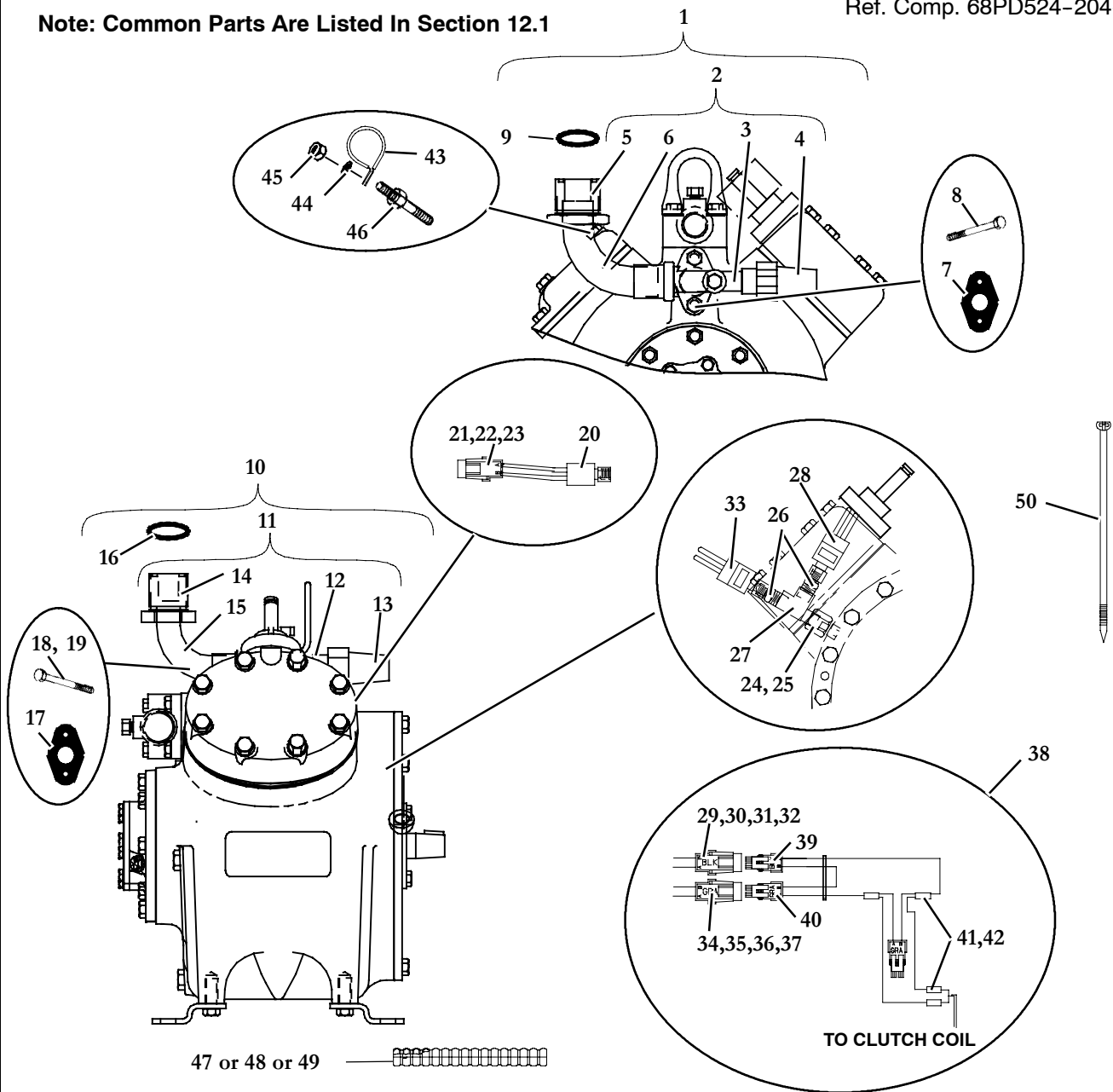
<b>12.1 Compressor Installation Components - 05K Systems - Common Parts (Continued)</b>			
<b>Item</b>	<b>Part Number</b>	<b>Description</b>	<b>Qty</b>
7	22-02804-02	Coil, Solenoid, Compressor Unloader, 24 VDC	1
8	62-02444-00	Label, <b>Charge Only With R-134a</b>	1
9	62-02913-00	Label, Compressor, <b>POE Oil</b>	1
10	40-00524-00	Elbow, 1/4 NPT x M13, Low Pressure Side	1
11	40-00520-00	Coupling, Service Port, M13, R-134a - Includes:	1
12	40-00520-03	Cap, Service Port	1
13	40-00524-01	Elbow, 1/8 NPT x M15, High Pressure Side	1
14	40-00520-01	Coupling, Service Port, M15, R-134a - Includes:	1
15	40-00520-03	Cap, Service Port	1
16	14-01093-00	Snubber Assembly, 90 Degree, 1/4 MPT x 1/4 FPT	1
17	06DA403844	Valve Assembly, Schrader, 1/4 Male Flare	1
18	40-00528-01	Connector, 1/4 FPT x 7/16-20, Steel	1
19	42-00243-07	O-Ring, 0.351 ID x 0.72 Thick	1
20	50-01122-23	Clutch Assembly, 24 VDC, 2A-2B (Less Lock Nut Item 37) - Includes:	1
21	50-01122-50	Coil, Clutch, 24 VDC	1
22	<b>NSS</b>	Armature Assembly	1
23	50-01122-500	Rotor And Armature Assembly (2A-2B Groove) - Includes:	1
24	04-00130-00	Bearing	1
25	34-01186-00	Ring, Retainer	1
26	17-44719-00	Key, Crankshaft, 0.25 Inch Square X 0.75 Inch Long	1
27	68G2-9082-1	Washer, Special, 0.344 ID	1
28	34-00368-12	Washer, Split Lock, 5/16 Inch	1
29	34-00615-26	Screw, Hex Head Cap, 5/16-18 x 3.25 Inches Long, Grade 8, Zinc Plated	1
30	22-01585-02	Connector, 2 Pin, Medium Gray	1
31	22-02393-00	Terminal, Male (14-16 AWG)	2
32	22-02394-01	Seal, Cable, Blue	2
33	68PD1-1013	Hub, Clutch Bearing, 05K Compressor	1
34	34-00615-08	Screw, Hex Head Cap, 5/16-18 x 1.00 Inch Long, Grade 8, Zinc Plated	4
35	34-00615-05	Screw, Hex Head Cap, 5/16-18 x 0.63 Inch Long, Grade 8, Zinc Plated	6
36	68PD1-1003	Adapter, Clutch, 05K Compressor	1
37	34-06083-00	Nut, Lock, Clutch, Special	1



12.2 Compressor Installation Components - 05K Systems - 68RM35-604-52, -64

Ref. Comp. 68PD524-204-6

Note: Common Parts Are Listed In Section 12.1



Item	Part Number	Description	Qty
1	68PD2-110-23	Valve Assembly Kit, Suction, Service - Includes:	1
2	68PD1-214	Valve Assembly, Suction - Includes:	1
3	14-01042-06	Valve, Service, Suction, 1 1/8 ODF - Includes:	1
4	17-10812-01	Cap, Service Valve (With NSS O-Ring Seal & Relief Hole)	1
5	40-00491-01	Fitting, ORS, 1.125 ODF x 1-11/16-12	1
6	68PD1-1102	Tube, Bent, 1-1/8 OD x .065W Steel	1
7	17-10811-05	Gasket, Suction Service Valve (Valve to Compressor)	1
8	17-57019-05	Screw, Hex Head Cap, 5/16-18 x 1.75 Inch Long, Grade 8, Zinc Plated	2
9	42-00243-01	O-Ring, 1.171 ID x 0.139 Thick	2



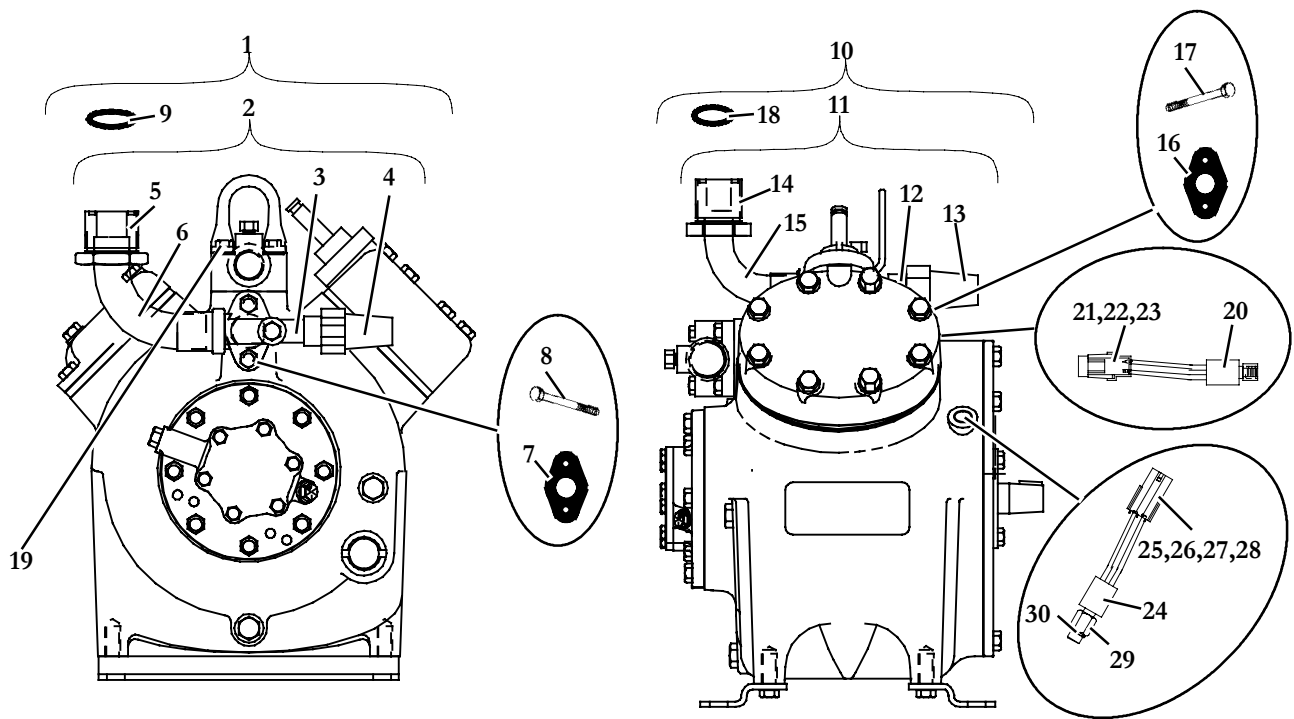
<b>12.2 Compressor Installation Components - 05K Systems - 68RM35-604-52, -64 (Continued)</b>			
<b>Item</b>	<b>Part Number</b>	<b>Description</b>	<b>Qty</b>
10	68PD2-110-65	Valve Assembly Kit, Discharge, Service - Includes:	1
11	68PD1-313	Valve Assembly, Discharge, With Tube & Fitting - Includes:	1
12	14-01042-08	Valve, Service, Discharge, 7/8 ODF - Includes:	1
13	17-10812-01	Cap, Service Valve (With NSS O-Ring Seal & Relief Hole)	1
14	40-00491-00	Fitting, ORS, 0.875 ODF x 1-7/16-12	1
15	68PD1-1092	Tube, Bent, 7/8 OD x .049W Steel	1
16	42-00243-00	O-Ring, 0.921 ID x 0.139 Thick	2
17	17-21003-00	Gasket, Discharge Service Valve (Valve to Compressor)	1
18	17-40012-00	Bolt, Hex Head, 5/16-18 x 2.00 Inches Long	2
19	AU02AB202	Washer, Plain, 5/16 SAE, Zinc Plated	2
20	12-00299-07	Switch, Pressure, High - Includes:	1
21	22-01585-00SK	Connector, Male, 2 Pin, Black	1
22	22-02393-00	Terminal, Male (14-16 AWG)	2
23	22-02394-01	Seal, Cable, Blue	2
24	40-00528-02	Connector, 1/4 FPT x 7/16-20, Steel - Includes:	1
25	42-00243-07	O-Ring, 0.351 ID x 0.072 Thick	1
26	06DA403844	Valve Assembly, Schrader, 1/4 Male Flare	2
27	40-00243-01	Tee, Street, Brass, 1/4 MPT x 1/4 FPT x 1/4 FPT	1
28	12-00334-03	Switch Assembly, Low Pressure, R-22 - Includes:	1
29	22-02392-00SV	Connector Kit, 2 Pin - Includes:	1
30	<b>NSS</b>	Connector, Male, 2 Pin, Black	1
31	22-02393-00	Terminal, Male (14-16 AWG)	2
32	22-02394-01	Seal, Cable, Blue (14-18 AWG)	2
33	12-00299-01	Switch, Pressure, Low - Includes:	1
34	22-02392-00SV	Connector Kit, 2 Pin - Includes:	1
35	<b>NSS</b>	Connector, Male, 2 Pin, Black	1
36	22-02393-00	Terminal, Male (14-16 AWG)	2
37	22-02394-01	Seal, Cable, Blue (14-18 AWG)	2
38	68PD1-473	Wire Harness, Compressor - Includes:	1
39	22-01585-00	Connector, Male, 2 Pin, Black	1
40	22-01585-02	Connector, Male, 2 Pin, Medium Gray	2
41	66U2-1132-2	Connector, Butt, Non-Insulated ( 22-18 AWG)	2
42	66U1-3803	Tube, Heat Shrink, 0.25 x 2.12 Long, Black	2
43	44-00102-54	Clamp, Tube, 3/4 Inch OD, With Neoprene Cushion, SST	1
44	34-00663-13	Washer, Split Lock, 3/8 Inch, SST	1
45	34-00666-13	Nut, Hex, 3/8-16, SST	1
46	17-44732-00	Stud, Hex Head, 3/8-16 x 2.00 x .87	1
47	58-00858-00	Tubing, Split, Corrugated, 1/4 Inch ID x 25.00 Feet Long	1
48	58-00848-33	Tubing, Split, Corrugated, 1/2 Inch ID x 7.5 Feet Long	1
49	58-00906-12	Tubing, Split, Corrugated, 3/4 Inch ID x 19.00 Inches Long	1
50	66U1-3882	Wire Tie, Self-Locking, 7.00 Inches	10





**12.3 Compressor Installation Components - 05K Systems - 68RM35-604-44, -65**

Ref. Comp. 68PD524-204-26



**Note: Common Parts Are Listed In Section 12.1**

Item	Part Number	Description	Qty
1	68PD2-110-23	Valve Assembly Kit, Suction, Service - Includes:	1
2	68PD1-214	Valve Assembly, Suction - Includes:	1
3	14-01042-06	Valve, Service, Suction, 1-1/8 ODF - Includes:	1
4	17-10812-01	Cap, Service Valve (With NSS O-Ring Seal & Relief Hole)	1
5	40-00491-01	Fitting, ORS, 1.125 ODF x 1-11/16-12	1
6	68PD1-1102	Tube, Bent, 1-1/8 OD x .065W Steel	1
7	17-10811-05	Gasket, Suction Service Valve (Valve to Compressor)	1
8	17-57019-05	Screw, Hex Head Cap, 5/16-18 x 1.75 Inch Long, Grade 8, Zinc Plated	2
9	42-00243-01	O-Ring, 1.171 ID x 0.139 Thick	2
10	68PD2-110-65	Valve Assembly Kit, Discharge, Service - Includes:	1
11	68PD1-313	Valve Assembly, Discharge, With Tube & Fitting - Includes:	1
12	14-01042-08	Valve, Service, Discharge, 7/8 ODF - Includes:	1
13	17-10812-01	Cap, Service Valve (With NSS O-Ring Seal & Relief Hole)	1
14	40-00491-00	Fitting, ORS, 0.875 ODF x 1-7/16-12	1
15	68PD1-1092	Tube, Bent, 7/8 OD x .049W Steel	1
16	17-21003-00	Gasket, Discharge Service Valve (Valve to Compressor)	1
17	17-40012-00	Bolt, Hex Head, 5/16-18 x 2.00 Inches Long	2
18	42-00243-00	O-Ring, 0.921 ID x 0.139 Thick	2
19	AU02AB202	Washer, Plain, 5/16 SAE, Zinc Plated	2
20	12-00299-07	Switch, Pressure, High - Includes:	1
21	22-01585-00SK	Connector, Male, 2 Pin, Black	1
22	22-02393-00	Terminal, Male (14-16 AWG)	2

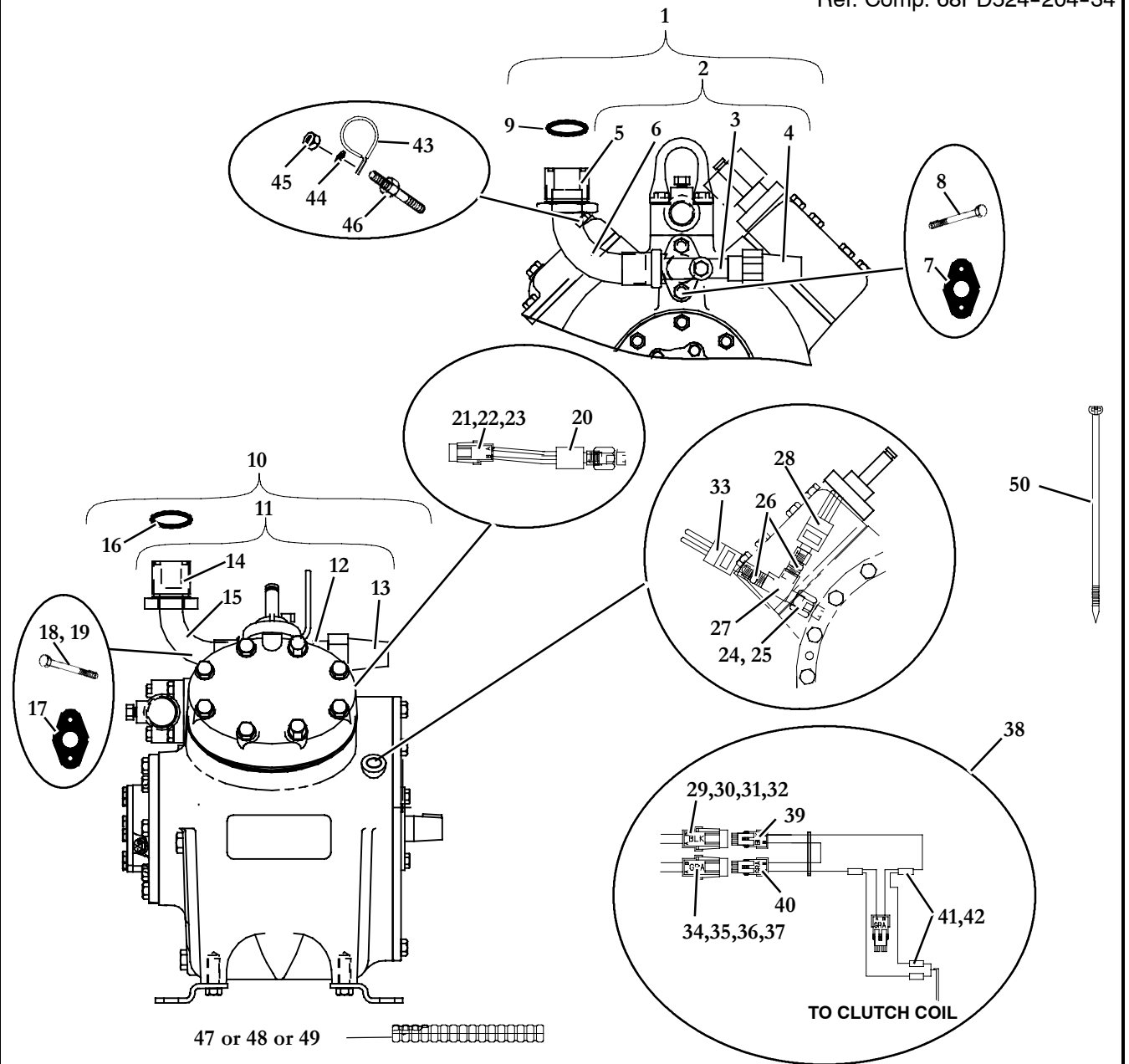


<b>12.3 Compressor Installation Components - 05K Systems - 68RM35-604-44, -65 (Continued)</b>			
<b>Item</b>	<b>Part Number</b>	<b>Description</b>	<b>Qty</b>
23	22-02394-01	Seal, Cable, Blue	2
24	12-00299-01	Switch, Pressure, Low - Includes:	1
25	22-02392-00SV	Connector Kit, 2 Pin - Includes:	1
26	<b>NSS</b>	Connector, Male, 2 Pin, Black	1
27	22-02393-00	Terminal, Male (14-16 AWG)	2
28	22-02394-01	Seal, Cable, Blue (14-18 AWG)	2
29	40-00528-02	Connector, 1/4 FPT x 7/16-20, Steel - Includes:	1
30	42-00243-07	O-Ring, 0.351 ID x 0.072 Thick	1



12.4 Compressor Installation Components - 05K Systems - 68RM35-604-80

Ref. Comp. 68PD524-204-34



Note: Common Parts Are Listed In Section 12.1

Item	Part Number	Description	Qty
1	68PD2-110-23	Valve Assembly Kit, Suction, Service - Includes:	1
2	68PD1-214	Valve Assembly, Suction - Includes:	1
3	14-01042-06	Valve, Service, Suction, 1 1/8 ODF - Includes:	1
4	17-10812-01	Cap, Service Valve (With NSS O-Ring Seal & Relief Hole)	1
5	40-00491-01	Fitting, ORS, 1.125 ODF x 1-11/16-12	1
6	68PD1-1102	Tube, Bent, 1-1/8 OD x .065W Steel	1
7	17-10811-05	Gasket, Suction Service Valve (Valve to Compressor)	1
8	17-57019-05	Screw, Hex Head Cap, 5/16-18 x 1.75 Inch Long, Grade 8, Zinc Plated	2

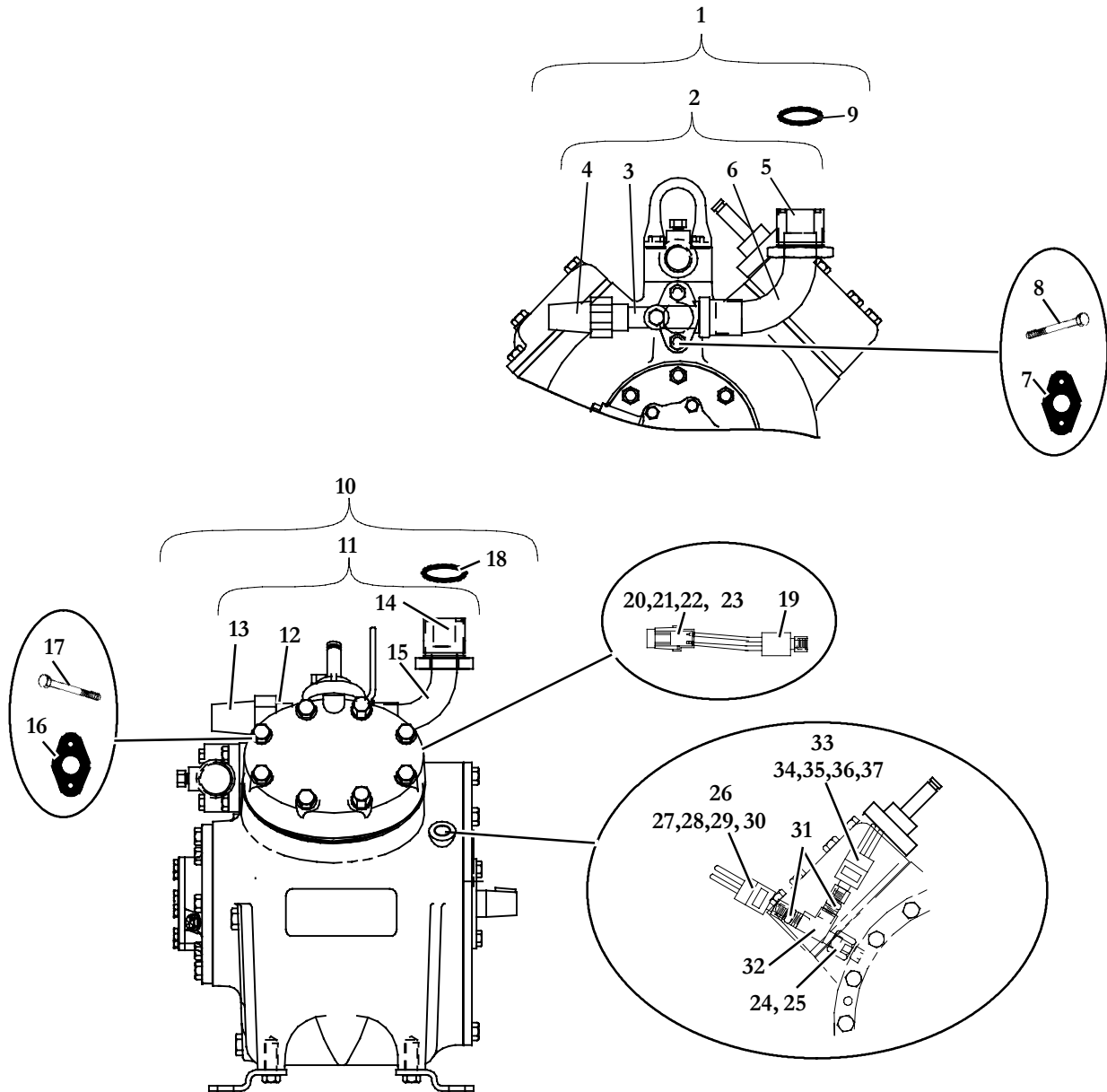


<b>12.4 Compressor Installation Components - 05K Systems - 68RM35-604-80 (Continued)</b>			
<b>Item</b>	<b>Part Number</b>	<b>Description</b>	<b>Qty</b>
9	42-00243-01	O-Ring, 1.171 ID x 0.139 Thick	2
10	68PD2-110-65	Valve Assembly Kit, Discharge, Service - Includes:	1
11	68PD1-313	Valve Assembly, Discharge, With Tube & Fitting - Includes:	1
12	14-01042-08	Valve, Service, Discharge, 7/8 ODF - Includes:	1
13	17-10812-01	Cap, Service Valve (With NSS O-Ring Seal & Relief Hole)	1
14	40-00491-00	Fitting, ORS, 0.875 ODF x 1-7/16-12	1
15	68PD1-1092	Tube, Bent, 7/8 OD x .049W Steel	1
16	42-00243-00	O-Ring, 0.921 ID x 0.139 Thick	2
17	17-21003-00	Gasket, Discharge Service Valve (Valve to Compressor)	1
18	17-40012-00	Bolt, Hex Head, 5/16-18 x 2.00 Inches Long	2
19	AU02AB202	Washer, Plain, 5/16 SAE, Zinc Plated	2
20	12-00299-14	Switch, Pressure, High - Includes:	1
21	22-01585-00SK	Connector, Male, 2 Pin, Black	1
22	22-02393-00	Terminal, Male (14-16 AWG)	2
23	22-02394-01	Seal, Cable, Blue	2
24	40-00528-02	Connector, 1/4 FPT x 7/16-20, Steel - Includes:	1
25	42-00243-07	O-Ring, 0.351 ID x 0.072 Thick	1
26	06DA403844	Valve Assembly, Schrader, 1/4 Male Flare	2
27	40-00243-01	Tee, Street, Brass, 1/4 MPT x 1/4 FPT x 1/4 FPT	1
28	12-00334-03	Switch Assembly, Low Pressure, R-22 - Includes:	1
29	22-02392-00SV	Connector Kit, 2 Pin - Includes:	1
30	<b>NSS</b>	Connector, Male, 2 Pin, Black	1
31	22-02393-00	Terminal, Male (14-16 AWG)	2
32	22-02394-01	Seal, Cable, Blue (14-18 AWG)	2
33	12-00299-01	Switch, Pressure, Low - Includes:	1
34	22-02392-00SV	Connector Kit, 2 Pin - Includes:	1
35	<b>NSS</b>	Connector, Male, 2 Pin, Black	1
36	22-02393-00	Terminal, Male (14-16 AWG)	2
37	22-02394-01	Seal, Cable, Blue (14-18 AWG)	2
38	68PD1-473	Wire Harness, Compressor - Includes:	1
39	22-01585-00	Connector, Male, 2 Pin, Black	1
40	22-01585-02	Connector, Male, 2 Pin, Medium Gray	2
41	66U2-1132-2	Connector, Butt, Non-Insulated ( 22-18 AWG)	2
42	66U1-3803	Tube, Heat Shrink, 0.25 x 2.12 Long, Black	2
43	44-00102-54	Clamp, Tube, 3/4 Inch OD, With Neoprene Cushion, SST	1
44	34-00663-13	Washer, Split Lock, 3/8 Inch, SST	1
45	34-00666-13	Nut, Hex, 3/8-16, SST	1
46	17-44732-00	Stud, Hex Head, 3/8-16 x 2.00 x .87	1
47	58-00858-00	Tubing, Split, Corrugated, 1/4 Inch ID x 25.00 Feet Long	1
48	58-00848-33	Tubing, Split, Corrugated, 1/2 Inch ID x 7.5 Feet Long	1
49	58-00906-12	Tubing, Split, Corrugated, 3/4 Inch ID x 19.00 Inches Long	1
50	66U1-3882	Wire Tie, Self-Locking, 7.00 Inches	10



12.5 Compressor Installation Components - 05K Systems - 68RM35-604-81

Ref. Comp. 68PD524-204-31



**Note: Common Parts Are Listed In Section 12.1**

Item	Part Number	Description	Qty
1	68PD2-110-14	Valve Assembly Kit, Suction, Service - Includes:	1
2	68PD1-343	Valve Assembly, Suction - Includes:	1
3	14-01042-06	Valve, Service, Suction, 1 1/8 ODF - Includes:	1
4	17-10812-01	Cap, Service Valve (With NSS O-Ring Seal & Relief Hole)	1
5	40-00491-01	Fitting, ORS, 1.125 ODF x 1-11/16-12	1
6	68PD1-1102	Tube, Bent, 1-1/8 OD x .065W Steel	1
7	17-10811-05	Gasket, Suction Service Valve (Valve to Compressor)	1
8	17-57019-05	Screw, Hex Head Cap, 5/16-18 x 1.75 Inch Long, Grade 8, Zinc Plated	2

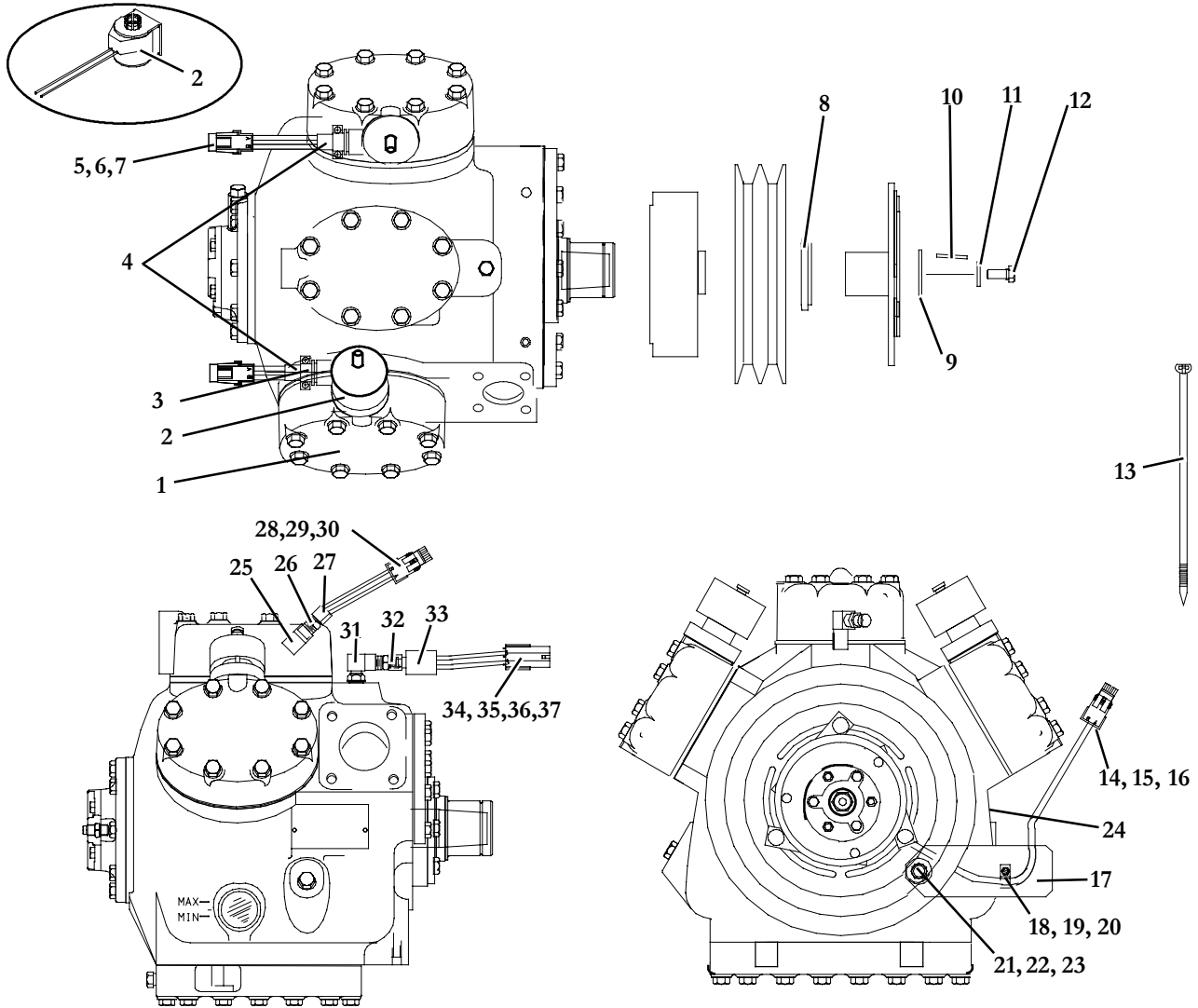


<b>12.5 Compressor Installation Components - 05K Systems - 68RM35-604-81 (Continued)</b>			
<b>Item</b>	<b>Part Number</b>	<b>Description</b>	<b>Qty</b>
9	42-00243-01	O-Ring, 1.171 ID x 0.139 Thick	2
10	68PD2-110-90	Valve Assembly Kit, Discharge, Service - Includes:	1
11	68PD1-313	Valve Assembly, Discharge, With Tube & Fitting - Includes:	1
12	14-01042-08	Valve, Service, Discharge, 7/8 ODF - Includes:	1
13	17-10812-01	Cap, Service Valve (With NSS O-Ring Seal & Relief Hole)	1
14	40-00491-00	Fitting, ORS, 0.875 ODF x 1-7/16-12	1
15	68PD1-1092	Tube, Bent, 7/8 OD x .049W Steel	1
16	42-00243-00	O-Ring, 0.921 ID x 0.139 Thick	2
17	17-21003-00	Gasket, Discharge Service Valve (Valve to Compressor)	1
18	17-40012-00	Bolt, Hex Head, 5/16-18 x 2.00 Inches Long	2
19	AU02AB202	Washer, Plain, 5/16 SAE, Zinc Plated	2
20	12-00299-14	Switch, Pressure, High - Includes:	1
21	22-01585-00	Connector, Male, 2 Pin, Black	1
22	22-02393-00	Terminal, Male (14-16 AWG)	2
23	22-02394-01	Seal, Cable, Blue	2
24	40-00528-02	Connector, 1/4 FPT x 7/16-20, Steel - Includes:	1
25	42-00243-07	O-Ring, 0.351 ID x 0.072 Thick	1
26	12-00299-01	Switch, Pressure, Low - Includes:	1
27	22-02392-00SV	Connector Kit, 2 Pin - Includes:	1
28	<b>NSS</b>	Connector, Male, 2 Pin, Black	1
29	22-02393-00	Terminal, Male (14-16 AWG)	2
30	22-02394-01	Seal, Cable, Blue (14-18 AWG)	2
31	06DA403844	Valve Assembly, Schrader, 1/4 Male Flare	2
32	40-00243-01	Tee, Street, Brass, 1/4 MPT x 1/4 FPT x 1/4 FPT	1
33	12-00334-03	Switch Assembly, Low Pressure, R-22 - Includes:	1
34	22-02392-00SV	Connector Kit, 2 Pin - Includes:	1
35	<b>NSS</b>	Connector, Male, 2 Pin, Black	1
36	22-02393-00	Terminal, Male (14-16 AWG)	2
37	22-02394-01	Seal, Cable, Blue (14-18 AWG)	2



**12.6 Compressor Installation Components - 05G - R-22 Systems - Common Parts**

**NOTE: Replacement Coils (2) do not require Sleeves (4) or 2-Screw Connectors (3).**



Item	Part Number	Description	Qty
1	18-00059-169	Compressor Assembly, 05G Service (Remanufactured, 37 CFM, R-22)	1
	18-00091-150	Compressor Assembly, 05G Service (New, Twin Port, 37 CFM)	
2	22-02804-02	Coil, Solenoid, Compressor Unloader, 24 VDC	2
3	69ND35-1781	Connector, Straight, 2-Screw	2
4	<b>66NS0801CD0020</b>	Sleeve, 0.50 ID x .062W x 2.00 Inches Long	2
5	22-02392-01	Connector, 2 Pin, Medium Gray	2
6	22-02393-01	Terminal, Male (18-20 AWG)	4
7	22-02394-00	Seal, Cable, Gray	4



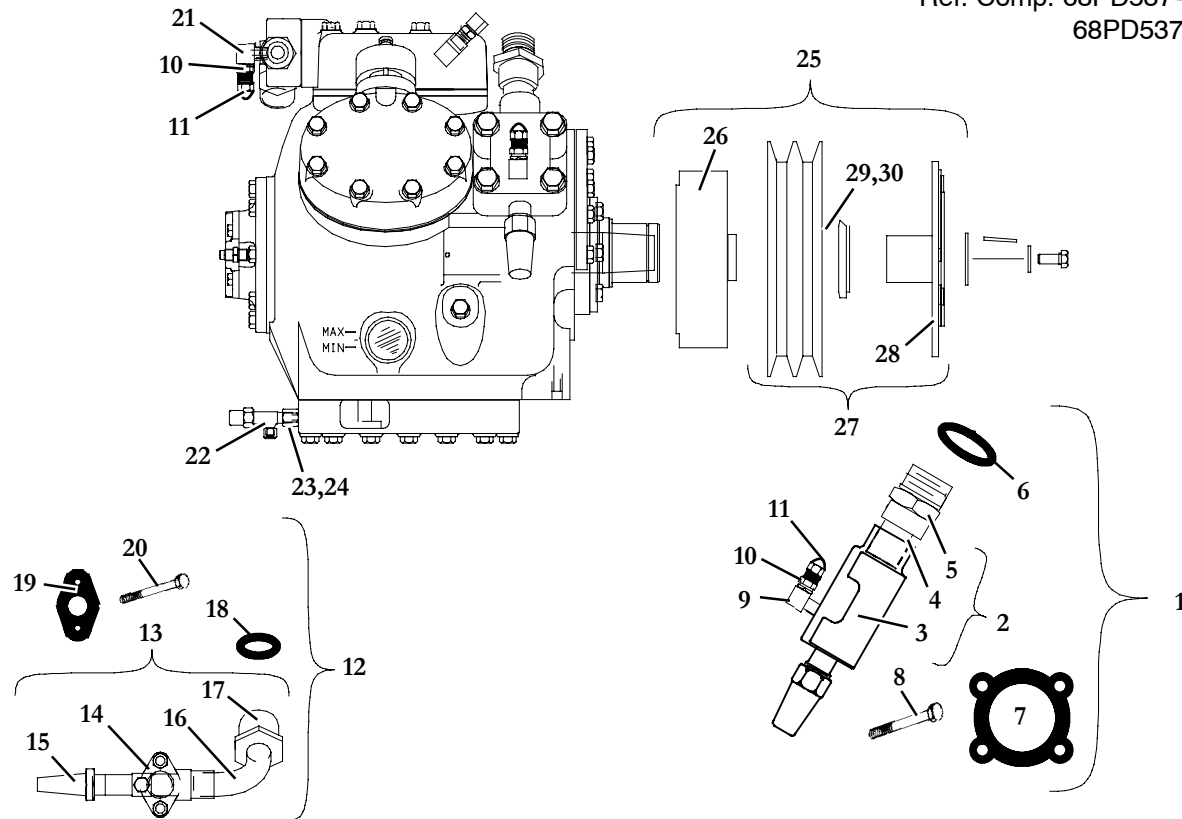
<b>12.6 Compressor Installation Components - 05G - R-22 Systems - Common Parts (Continued)</b>			
<b>Item</b>	<b>Part Number</b>	<b>Description</b>	<b>Qty</b>
8	34-06083-00	Nut, Lock, Clutch, Special	1
9	68G2-9082	Washer, Special, 7/16 ID	1
10	68G2-9072	Key, Crankshaft, Special	1
11	AU11AS241	Washer, Lock, 3/8 Spring, Zinc Plated	1
12	34-00613-10	Screw, Hex Head Cap, 3/8-24 x 1.25. SAE Grade 8, Zinc Plated	1
13	66U1-3882	Wire Tie, Self-Locking, 7 Inches	1
14	22-02393-00	Terminal, Male (14-16 AWG)	2
15	22-02394-01	Seal, Cable, Blue	2
16	22-01585-02	Connector, Male, 2 Pin, Gray	1
17	68PD1-1202	Bracket, Clutch Wire Support	1
18	34-00373-51	Clamp, Tube, 0.25 Inch Diameter, Cushioned	1
19	34-00827-10	Screw, Machine, Slotted, #8-32 x 0.625	1
20	AT31AB101	Nut, Hex, KEPS, #8-32	1
21	17-40037-05	Screw, Hex Head Cap, 3/8-16 x 1.00 Long	1
22	AU02AB242	Washer, Plain, 3/8 SAE	1
23	34-00372-13	Washer, Lock, 3/8, External Tooth	1
24	62-03797-00	Label, Charge Only With R-22	1
25	14-01093-00	Snubber Assembly, 90 Degree, 1/4 MPT x 1/4 FPT	1
26	06DA403844	Valve Assembly, Schrader, 1/4 Male Flare	2
27	12-00299-00	Switch, Pressure, High - Includes:	1
28	22-01585-00SK	Connector, Male, 2 Pin, Black	1
29	22-02393-00	Terminal, Male (14-16 AWG)	2
30	22-02394-01	Seal, Cable, Blue	2
31	40-01166-01	Elbow, Adapter, 1/4 FPT x 7/16 UNC	1
32	06DA403844	Valve Assembly, Schrader, 1/4 Male Flare	1
33	12-00299-01	Switch, Pressure, Low - Includes:	1
34	22-02392-00SV	Connector KIT, 2 Pin - Includes:	1
35	<b>NSS</b>	Connector, Male, 2 Pin, Black	1
36	22-02393-00	Terminal, Male (14-16 AWG)	2
37	22-02394-01	Seal, Cable, Blue	2





**12.7 Compressor Installation Components - 05G - R-22 Systems - 68RM35-104-40, -42, -43, -45**

Ref. Comp. 68PD537-104-116  
68PD537-104-120



**Note: Common Parts Are Listed In Section 12.6**

Item	Part Number	Description	Qty
1	68PD2-110-5	Valve Assembly, Suction, Service - Includes:	1
2	68PD1-293	Valve Assembly, Suction, With Tube & Fitting - Includes:	1
3	17-31062-00	Valve, Suction, Service, 1-1/8 ODF	1
4	68PD1-1082	Tube, Suction, Straight, 1-1/8 OD x .065W x 2 Inches Long, Steel	1
5	40-00491-01	Fitting, ORS, 1.125 ODF x 1-11/16-12	1
6	42-00243-01	O-Ring, 1.171 ID x 0.139 Thick	2
7	17-40005-05	Gasket, Suction Service Valve (Valve To Compressor)	1
8	17-13020-00	Bolt, Hex Head, 1/2 - 13 x 2.50 InchES Long	4
9	40-00060-02	Elbow, Street, 1/4 FPT x 1/4 MPT	1
10	06DA403844	Valve Assembly, Schrader, 1/4 Male Flare	2
11	40-00086-04	Cap, Nut, 1/4 FFL	2
12	68PD2-110-70	Valve Assembly, Discharge, Service - Includes:	1
13	68PD1-333-2	Valve Assembly, Discharge, With Tube & Fitting - Includes:	1
14	14-01042-10	Valve, Discharge, Service, 7/8 ODF - Includes:	1
15	17-10812-01	Cap, Service Valve (With NSS O-Ring Seal & Relief Hole)	1
16	68PD1-1092	Tube, Bent, 7/8 OD x .049W Steel	1
17	40-00491-00	Fitting, ORS, 7/8 ODF x 1-7/16	1
18	42-00243-00	O-Ring, ORS-10, .921 ID x 0.139 Thick	2
19	17-10811-05	Gasket, Discharge Service Valve (Valve To Compressor)	1
20	17-40012-00	Bolt, Hex Head, 5/16 - 18 x 2 Inches Long	2

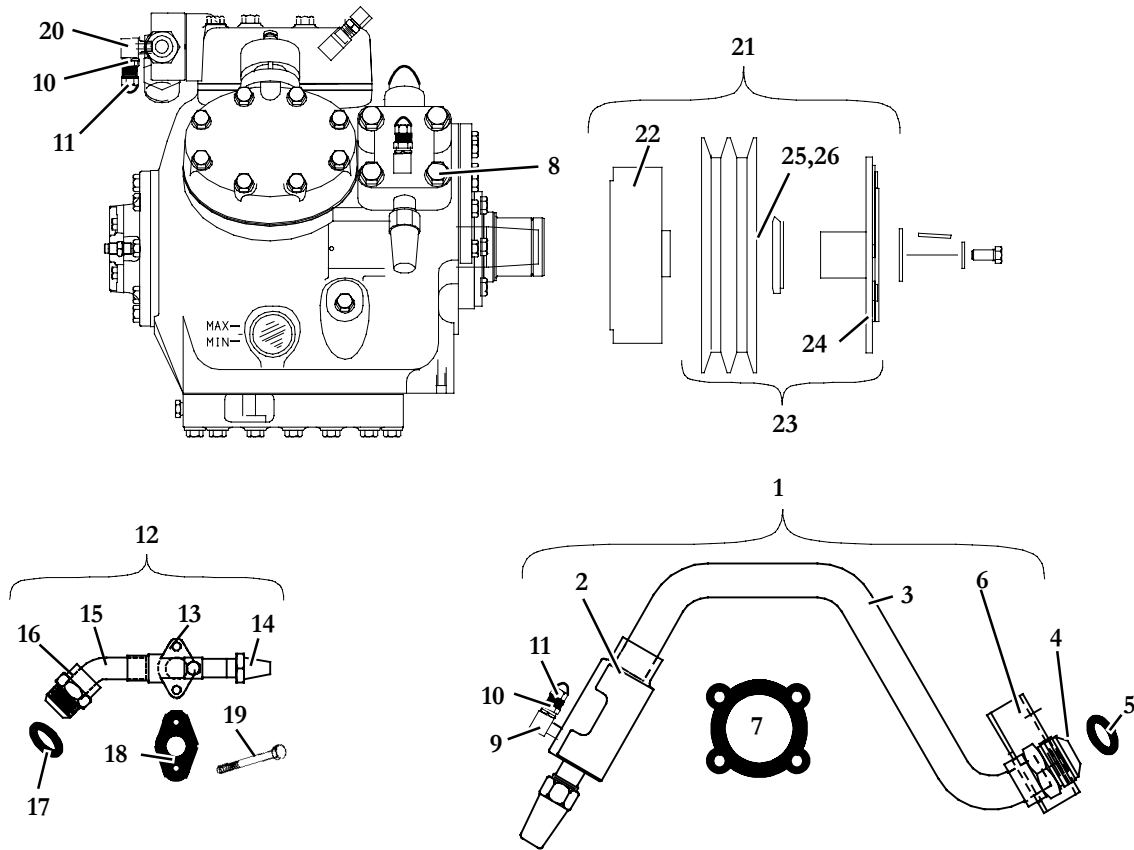


<b>12.7 Compressor Installation Components - 05G - R-22 Systems - 68RM35-104-40, -42, -43, -45 (Continued)</b>			
<b>Item</b>	<b>Part Number</b>	<b>Description</b>	<b>Qty</b>
21	40-00060-08	Elbow, Street, 1/4 FPT x 1/8 MPT	1
22	EP23LC090	Valve, Angle, 1/4 NPT x 1/4 SAE Flare (Used On -42 Unit Only)	1
23	40-00528-01	Connector, 1/4 FPT x 7/16-20, Steel (Used On -42 Unit Only)	1
24	42-00243-07	O-Ring, 0.351 ID x 0.072 Thick (Used On -42 Unit Only)	1
25	50-01122-14	Clutch Assembly, 24 VDC (Less Lock Nut Item 8) - Includes:	1
26	50-01122-50	Coil, Clutch, 24 VDC	1
27	50-01122-93	Rotor And Armature Assy. (2-5V Groove At 10.50 Inch OD) - Includes:	1
28	<b>NSS</b>	Armature Assembly	1
29	04-00130-00	Bearing	1
30	34-01186-00	Ring, Retainer	1



12.8 Compressor Installation Components - 05G - R-22 Systems - 68RM35-104-41

Ref. Comp. 68PD537-104-74



Note: Common Parts Are Listed In Section 12.6

Item	Part Number	Description	Qty
1	68PD1-273	Valve Assembly, Suction, With Tube & Fitting - Includes:	1
2	17-31062-00	Valve, Suction, Service, 1-1/8 ODF	1
3	68PD1-1033	Tube, Suction, Bent, 1-1/8 OD x .065W, Steel	1
4	DE07DA612	Fitting, Adapter, 1-1/8 ODS x 1-1/4 Flare	1
5	KK71JV013	O-Ring, 1-3/16 x 1-5/16 x 1/16	1
6	68PD1-1142	Bracket	1
7	17-40005-05	Gasket, Suction Service Valve (Valve To Compressor)	1
8	17-13020-00	Bolt, Hex Head, 1/2 - 13 x 2.50 Inches Long	4
9	40-00060-02	Elbow, Street, 1/4 FPT x 1/4 MPT	1
10	06DA403844	Valve Assembly, Schrader, 1/4 Male Flare	2
11	40-00086-04	Cap, Nut, 1/4 FFL	2
12	68PD1-263	Valve Assembly, Discharge, With Tube & Fitting - Includes:	1
13	14-01042-10	Valve, Discharge, Service, 7/8 ODF - Includes:	1
14	17-10812-01	Cap, Service Valve (With NSS O-Ring Seal & Relief Hole)	1
15	68PD1-1152	Tube, Bent, 7/8 OD x .049W Steel	1
16	DE07DA608	Fitting, 37 Degree Flare	1
17	KK71JV010	O-Ring, 7/8 x 1 x 1/16	1

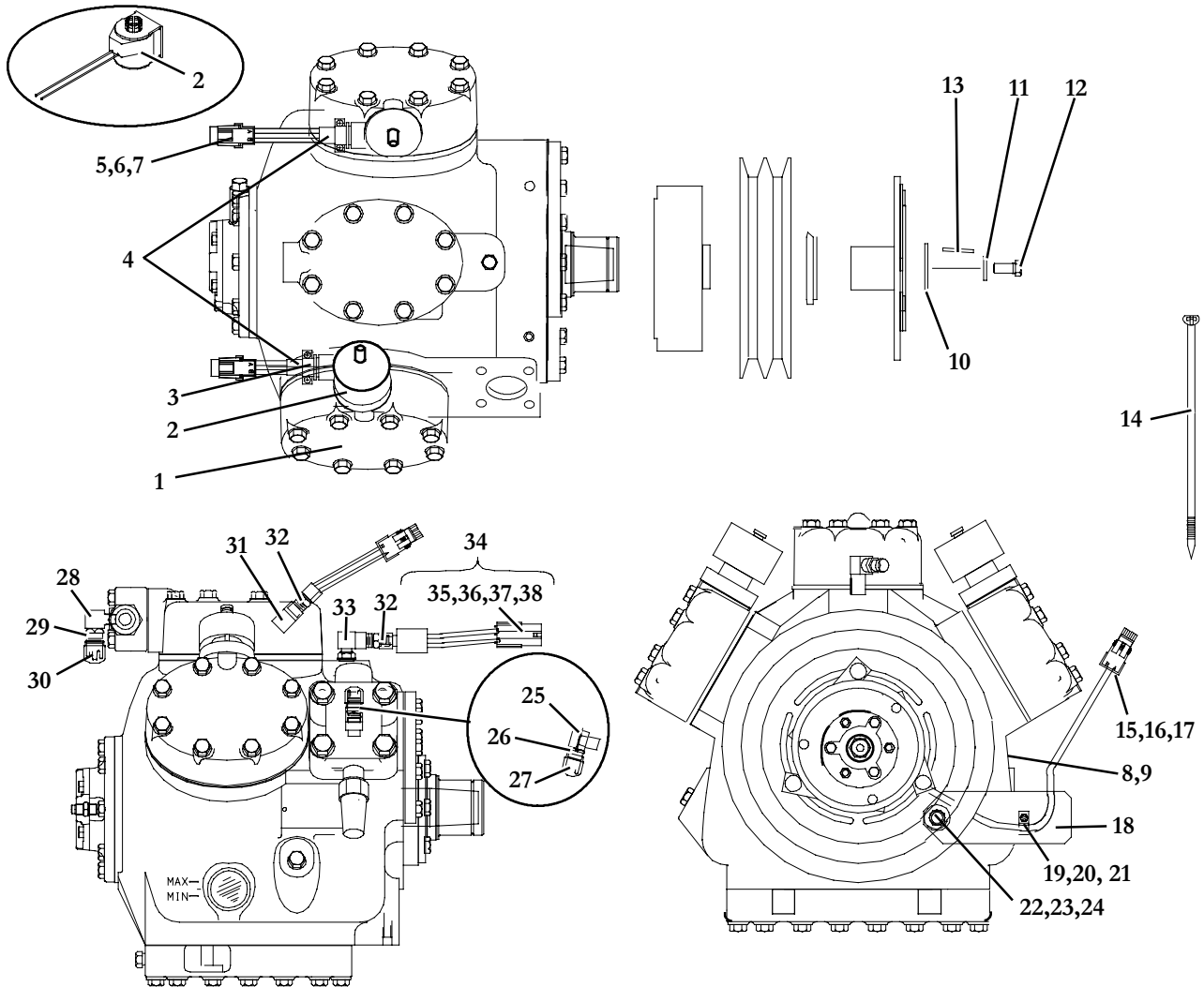


<b>12.8 Compressor Installation Components - 05G - R-22 Systems - 68RM35-104-41 (Continued)</b>			
<b>Item</b>	<b>Part Number</b>	<b>Description</b>	<b>Qty</b>
18	17-10811-05	Gasket, Discharge Service Valve (Valve To Compressor)	1
19	17-40012-00	Bolt, Hex Head, 5/16 - 18 x 2 Inches Long	2
20	40-00060-08	Elbow, Street, 1/4 FPT x 1/8MPT	1
21	50-01122-14	Clutch Assembly, 24 VDC (Less Lock Nut Item 8) - Includes:	1
22	50-01122-50	Coil, Clutch, 24 VDC	1
23	50-01122-93	Rotor And Armature Assy. (2-5V Groove At 10.50 Inch OD) - Includes:	1
24	<b>NSS</b>	Armature Assembly	1
25	04-00130-00	Bearing	1
26	34-01186-00	Ring, Retainer	1



**12.9 Compressor Installation Components - 05G - R-134a Systems - Common Parts**

**NOTE: Replacement Coils (2) do not require Sleeves (4) or 2-Screw Connectors (3).**



Item	Part Number	Description	Qty
1	17-44062-00	Compressor Assembly, 05G Service (Remanufactured, 41 CFM, R-134a)	1
	18-00091-160	Compressor Assembly, 05G Service (New, Twin Port, 41 CFM)	
2	22-02804-02	Coil, Solenoid, Compressor Unloader, 24 VDC	2
3	69ND35-1781	Connector, Straight, 2-Screw	2
4	66NS0801CD0020	Sleeve, 0.50 ID x .062W x 2.00 Inches Long	2
5	22-02392-01	Connector, 2 Pin, Medium Gray	2
6	22-02393-01	Terminal, Male (18-20 AWG)	4
7	22-02394-00	Seal, Cable, Gray	4
8	62-62039-00	Label, <b>CHARGE ONLY WITH R-134a</b>	1
9	62-02913-00	Label, Compressor, <b>POE Oil</b>	1
10	68G2-9082	Washer, Special, 7/16 ID	1
11	AU11AS241	Washer, Split Lock, 3/8 Inch, Zinc Plated	1
12	34-00613-10	Screw, Hex Head Cap, 3/8-24 x 1.25 SAE Grade 8, Zinc Plated	1
13	68G2-9072	Key, Crankshaft, Special	1

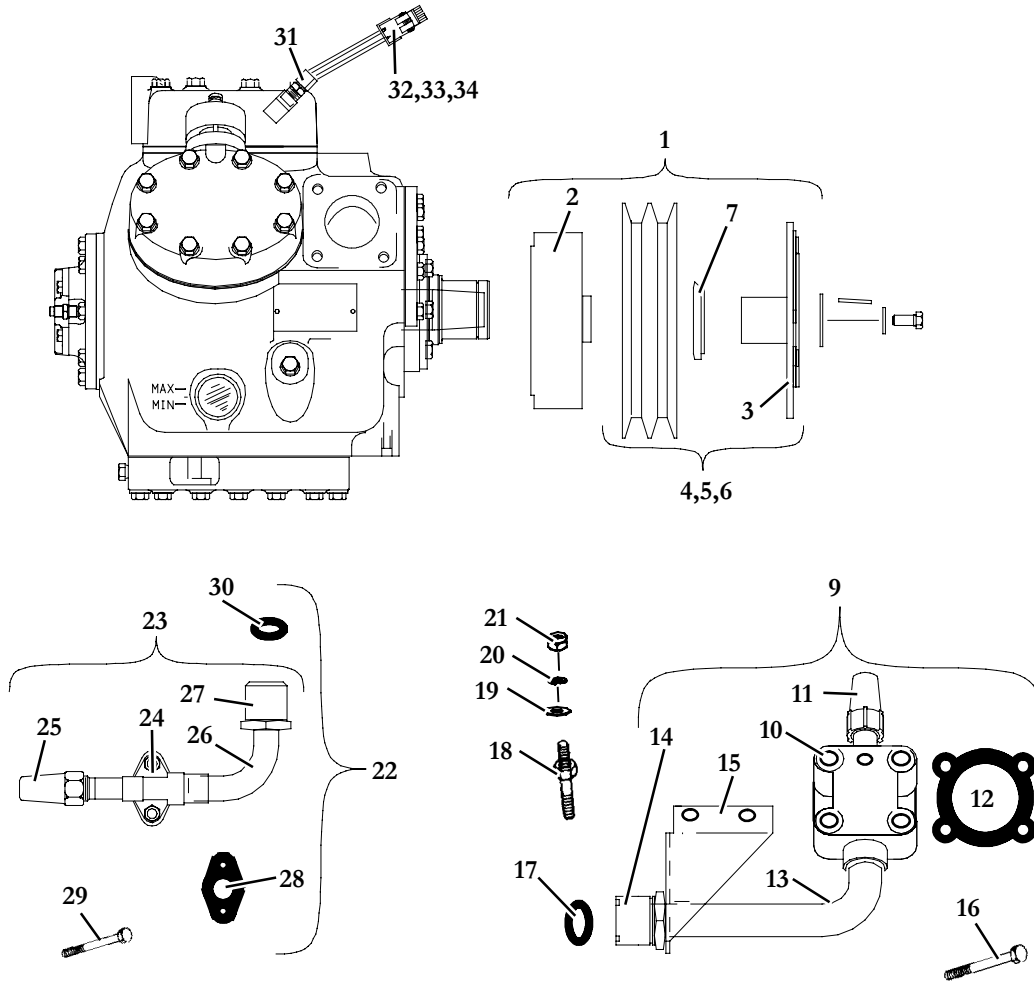


<b>12.9 Compressor Installation Components - 05G - R-134a Systems - Common Parts (Continued)</b>			
<b>Item</b>	<b>Part Number</b>	<b>Description</b>	<b>Qty</b>
14	66U1-3882	Wire Tie, Self-Locking, 7.00 Inches	1
15	22-02393-00	Terminal, Male (14-16 AWG)	2
16	22-02394-01	Seal, Cable, Blue (14-18 AWG)	2
17	22-01585-02	Connector, Male, 2 Pin, Medium Gray	1
18	68PD1-1202	Bracket, Clutch Wire Support	1
19	34-00373-51	Clamp, Tube, 0.25 Inch Diameter, Cushioned	1
20	34-00827-10	Screw, Machine, Slotted, #8-32 x 0.625 Inch Long, SST	1
21	AT31AB101	Nut, Hex, Keps, #8-32, Zinc Plated	1
22	17-40037-05	Screw, Hex Head Cap, 3/8-16 x 1.00 Inch Long, Zinc Plated	1
23	AU02AB242	Washer, Plain, 3/8 SAE, Zinc Plated	1
24	34-00372-13	Washer, Lock, 3/8, External Tooth	1
25	40-00524-00	Elbow, 1/4 NPT x M13, Low Pressure Side	1
26	40-00520-00	Coupling, Service Port, M13, R-134a - Includes:	1
27	40-00520-02	Cap, Service Port	1
28	40-00524-01	Elbow, 1/8 NPT x M15, High Pressure Side	1
29	40-00520-01	Coupling, Service Port, M15, R-134a - Includes:	1
30	40-00520-03	Cap, Service Port	1
31	14-01093-00	Snubber Assembly, 90 Degree, 1/4 MPT x 1/4 FPT	1
32	06DA403844	Valve Assembly, Schrader, 1/4 Male Flare	2
33	40-01166-01	Elbow, Adapter, 1/4 FPT x 7/16 UNC	1
34	12-00299-01	Switch, Pressure, Low - Includes:	1
35	22-02392-00SV	Connector Kit, 2 Pin - Includes:	1
36	<b>NSS</b>	Connector, Male, 2 Pin, Black	1
37	22-02393-00	Terminal, Male (14-16 AWG)	2
38	22-02394-01	Seal, Cable, Blue (14-18 AWG)	2



**12.10 Compressor Installation Components - 05G - R-134a Systems - 68RM35-604-41**

Ref. Comp. 68PD541-104-42



**Note: Common Parts Are Listed In Section 12.9**

Item	Part Number	Description	Qty
1	50-01122-20	Clutch Assembly, 24 VDC (Less Lock Nut, Item 7) - Includes:	1
2	50-01122-50	Coil, Clutch, 24 VDC	1
3	NSS	Armature Assembly	1
4	50-01122-98	Rotor And Armature Assembly (2A-2B Groove) - Includes:	1
5	04-00130-00	Bearing	1
6	34-01186-00	Ring, Retainer	1
7	34-06083-00	Nut, Lock, Clutch, Special	1



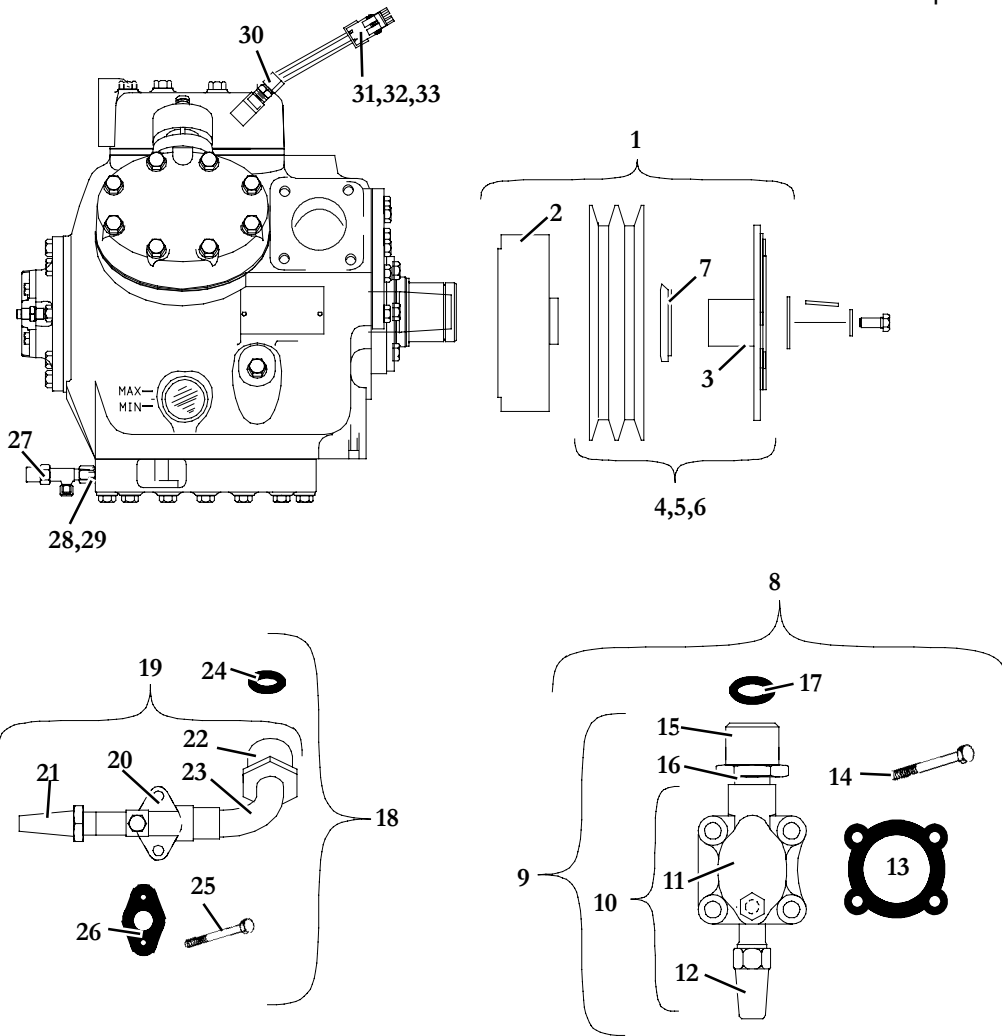
<b>12.10 Compressor Installation Components - 05G - R-134a Systems - 68RM35-604-41 (Continued)</b>			
<b>Item</b>	<b>Part Number</b>	<b>Description</b>	<b>Qty</b>
8	68PD2-110-36	Valve Assembly, Suction, Service - Includes:	1
9	68PD1-384	Valve Assembly, Suction, With Tube, Bracket & Fitting - Includes:	1
10	17-31062-00	Valve, Suction, Service, 1-1/8 ODF - Includes:	1
11	17-10812-00	Cap, Service Valve (With NSS O-Ring Seal)	1
12	17-40005-05	Gasket, Suction Service Valve (Valve to Compressor)	1
13	68PD1-1102-1	Tube, Suction, Bent, 1-1/8 OD x .065W, Steel	1
14	40-00491-01	Fitting, ORS, 1.125 ODF x 1-11/16-12	1
15	68-12987-00	Bracket, Support, Suction Tube	1
16	17-13020-00	Bolt, Hex Head, 1/2 - 13 x 2.50 Inches Long	4
17	42-00243-01	O-Ring, 1.171 ID x 0.139 Thick	2
18	17-44017-00	Stud, Hex Head, 3/8-16 x 3.25 x 0.88	2
19	34-00662-13	Washer, Plain, 3/8 Medium	4
20	34-00663-13	Washer, Split Lock, 3/8 Inch, SST	2
21	34-00666-13	Nut, Hex, 3/8-16, SST	2
22	68PD2-110-84	Valve Assembly, Discharge, Service - Includes:	1
23	68PD1-343-2	Valve Assembly, Discharge, With Tube & Fitting - Includes:	1
24	14-01042-10	Valve, Discharge, Service, 7/8 ODF - Includes:	1
25	17-10812-01	Cap, Service Valve (With NSS O-Ring Seal & Relief Hole)	1
26	68PD1-1022	Tube, Bent, 7/8 OD x .049W Steel	1
27	40-00491-00	Fitting, ORS, 7/8 ODF x 1-7/16	1
28	17-10811-05	Gasket, Discharge Service Valve (Valve to Compressor)	1
29	17-40012-00	Bolt, Hex Head, 5/16-18 x 2.00 Inches Long	2
30	KK71JV010	O-Ring, 0.864 ID x 0.070 Thick	1
31	12-00299-07	Switch, Pressure, High - Includes:	1
32	22-01585-00SK	Connector, Male, 2 Pin, Black	1
33	22-02393-00	Terminal, Male (14-16 AWG)	2
34	22-02394-01	Seal, Cable, Blue	2





**12.11 Compressor Installation Components - 05G - R-134a Systems - 68RM35-604-42, -43, -47, -50, -51, -54, -55, -56, -58, -60, -61, -62,- 67, -68, -71, -90, -91**

Ref. Comp. 68PD541-104-43



**Note: Common Parts Are Listed In Section 12.9**

Item	Part Number	Description	Qty
1	50-01122-14	Clutch Assembly, 24 VDC (Less Lock Nut Item 7) - Includes:	1
2	50-01122-50	Coil, Clutch, 24 VDC	1
3	NSS	Armature Assembly	1
4	50-01122-93	Rotor And Armature Assembly (2-5V Groove At 10.50 Inches OD) - Includes:	1
5	04-00130-00	Bearing	1
6	34-01186-00	Ring, Retainer	1
7	34-06083-00	Nut, Lock, Clutch, Special	1



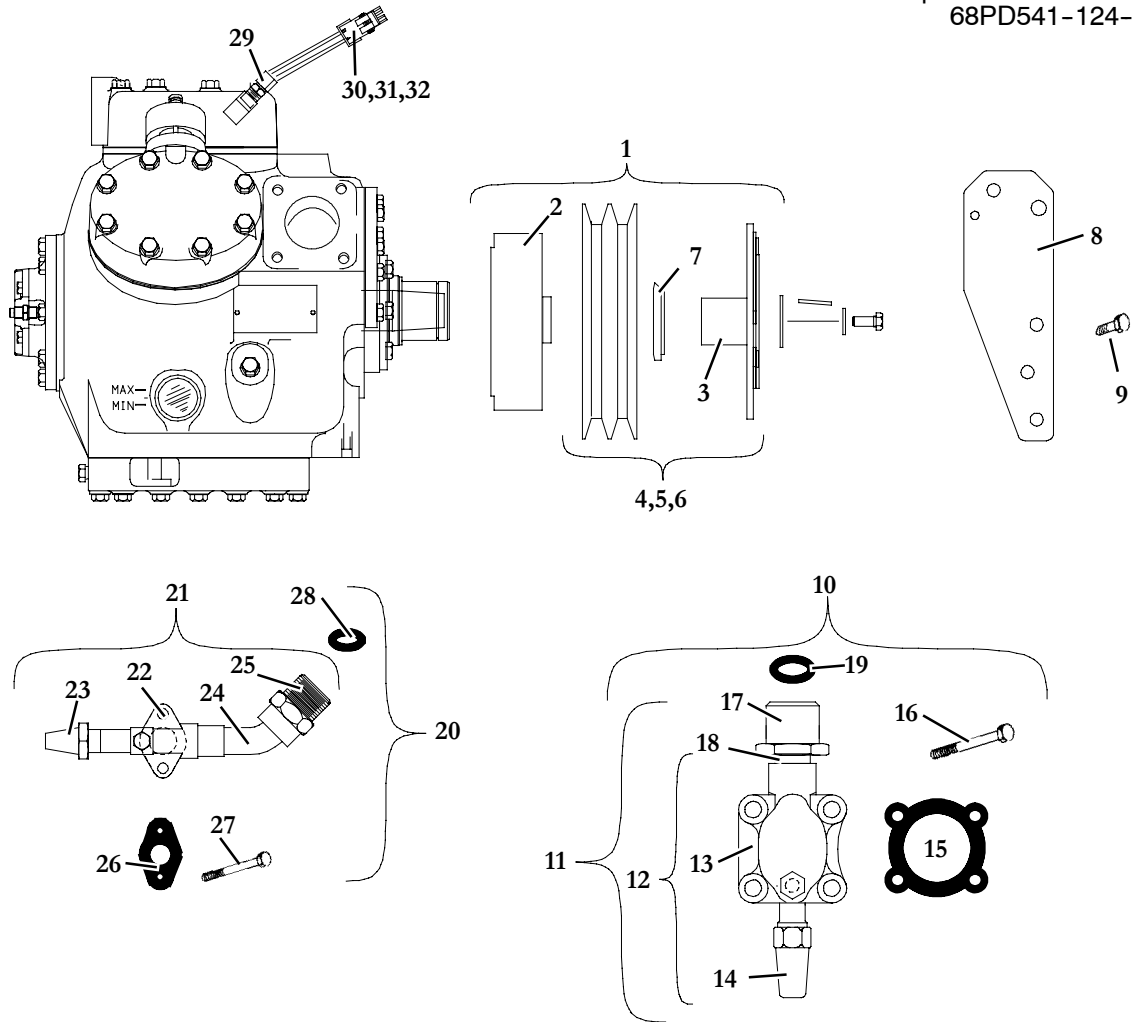
**12.11 Compressor Installation Components - 05G - R-134a Systems - 68RM35-604-42, -43, -47, -50, -51, -54, -55, -56, -58 -60, -61, -62, -67, -68, -71, -90, -91 (Continued)**

Item	Part Number	Description	Qty
8	68PD2-110-21	Valve Assembly, Suction, Service - Includes:	1
9	68PD1-293-3	Valve Assembly, Suction, With Tube & Fitting - Includes:	1
10	17-40002-01	Valve Package, Suction, Service - Includes:	1
11	<b>NSS</b>	Valve, Suction, Service, 1-3/8 ODF	1
12	17-10812-00	Cap, Service Valve Stem, With "O" Ring, Plastic	1
13	17-40005-05	Gasket, Suction Service Valve (Valve to Compressor)	1
14	17-13020-00	Bolt, Hex Head, 1/2 - 13 x 2.50 Inches Long	4
15	40-00491-04	Fitting, ORS, 1.375 ODF x 2.00-12	1
16	68PD1-1082-2	Tube, Suction, Straight, 1-3/8 OD x .065W x 2.19 Inches Long, Steel	1
17	42-00243-02	O-Ring, 1.19 ID x 0.139 Thick	2
18	68PD2-110-70	Valve Assembly, Discharge, Service - Includes:	1
19	68PD1-333-2	Valve Assembly, Discharge, With Tube & Fitting - Includes:	1
20	14-01042-10	Valve, Discharge, Service, 7/8 ODF - Includes:	1
21	17-10812-01	Cap, Service Valve (With NSS O-Ring Seal & Relief Hole)	1
22	68PD1-1092	Tube, Bent, 7/8 OD x .049W Steel	1
23	40-00491-00	Fitting, ORS, 7/8 ODF x 1-7/16	1
24	17-10811-05	Gasket, Discharge Service Valve (Valve to Compressor)	1
25	17-40012-00	Bolt, Hex Head, 5/16-18 x 2.00 Inches Long	2
26	42-00243-00	O-Ring, ORS-10, .921 ID x .139 Thick	2
27	EP23LC090	Valve, Angle, 1/4 MPT Inlet x 1/4 MFL Outlet (Oil Drain)	1
28	40-00528-01	Connector, 1/4 FPT x 7/16-20, Steel	1
29	42-00243-07	O-Ring, 0.351 ID x 0.072 Thick	2
30	12-00299-07	Switch, Pressure, High - Includes:	1
31	22-01585-00SK	Connector, Male, 2 Pin, Black	1
32	22-02393-00	Terminal, Male (14-16 AWG)	2
33	22-02394-01	Seal, Cable, Blue	2



12.12 Compressor Installation Components - 05G - R-134a Systems - 68RM35-604-45, -53, -88

Ref. Comp. 68PD541-104-47  
68PD541-124-13



**Note: Common Parts Are Listed In Section 12.9**

Item	Part Number	Description	Qty
1	50-01122-20	Clutch Assembly, 24 VDC (Less Lock Nut Item 7) - Includes:	1
2	50-01122-50	Coil, Clutch, 24 VDC	1
3	NSS	Armature Assembly	1
4	50-01122-98	Rotor And Armature Assembly (2A-2B Groove) - Includes:	1
5	04-00130-00	Bearing	1
6	34-01186-00	Ring, Retainer	1
7	34-06083-00	Nut, Lock, Clutch, Special	1
8	68-13738-00	Plate, Mounting, Alternator	1
9	34-00304-10	Screw, Hex Head Cap, 3/8-16 x 1.25 Inch Long, Zinc Plated	1

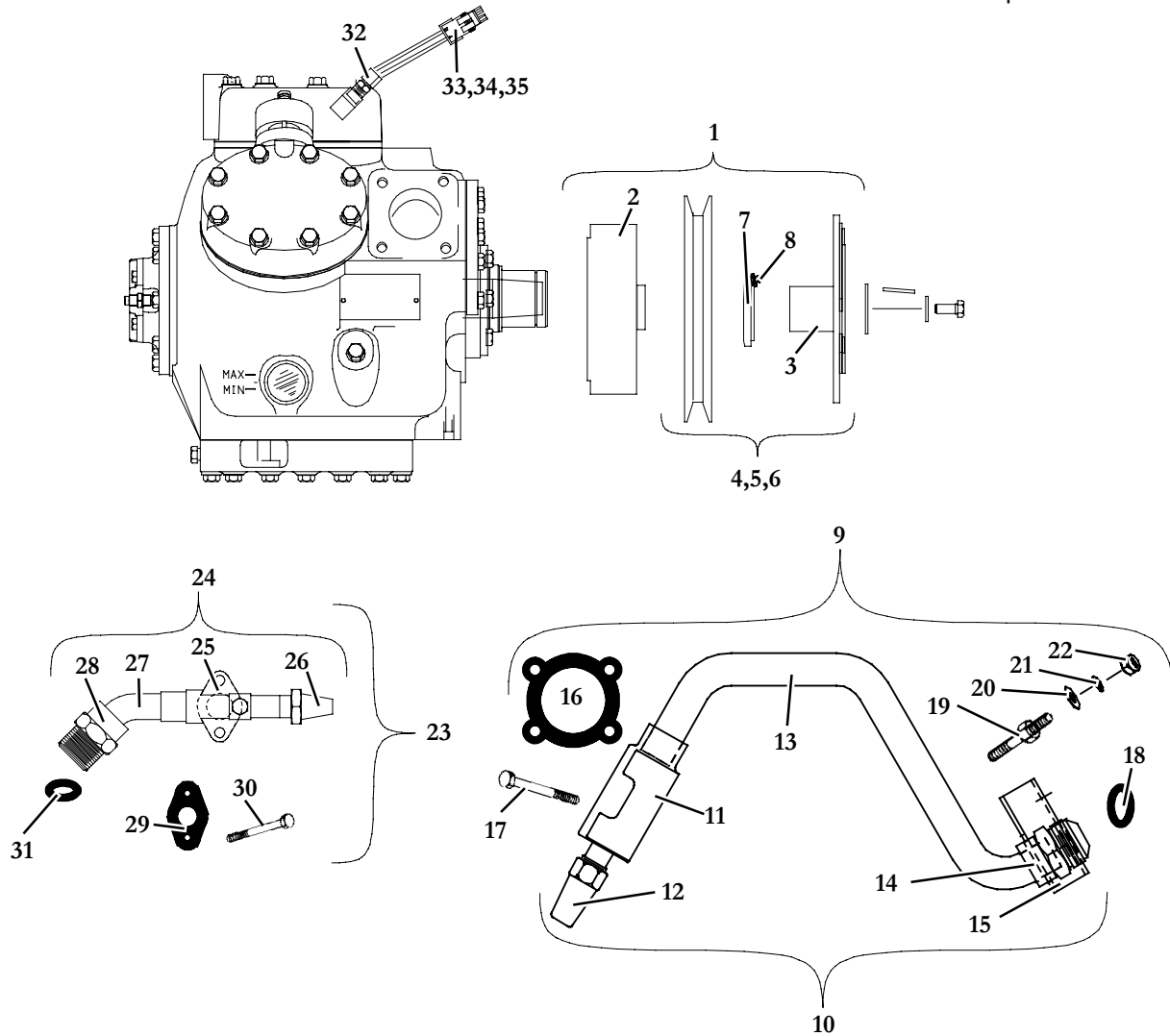


<b>12.12 Compressor Installation Components - 05G - R-134a Systems - 68RM35-604-45, -53, -88 (Continued)</b>			
<b>Item</b>	<b>Part Number</b>	<b>Description</b>	<b>Qty</b>
10	68PD2-110-21	Valve Assembly, Suction, Service - Includes:	1
11	68PD1-293-3	Valve Assembly, Suction, With Tube & Fitting - Includes:	1
12	17-40002-01	Valve Package, Suction, Service - Includes:	1
13	<b>NSS</b>	Valve, Suction, Service, 1-3/8 ODF	1
14	17-10812-00	Cap, Service Valve Stem, With "O" Ring, Plastic	1
15	17-40005-05	Gasket, Suction Service Valve (Valve to Compressor)	1
16	17-13020-00	Bolt, Hex Head, 1/2 - 13 x 2.50 Inches Long	4
17	40-00491-04	Fitting, ORS, 1.375 ODF x 2.00-12	1
18	68PD1-1082-2	Tube, Suction, Straight, 1-3/8 OD x .065W x 2.19 Inches Long, Steel	1
19	42-00243-02	O-Ring, 1.19 ID x 0.139 Thick	2
20	68PD2-110-61	Valve Assembly, Discharge, Service - Includes:	1
21	68PD1-263-1	Valve Assembly, Discharge With Tube & Fitting - Includes:	1
22	14-01042-10	Valve, Discharge, Service, 7/8 ODF - Includes:	1
23	17-10812-01	Cap, Service Valve (With NSS O-Ring Seal & Relief Hole)	1
24	68PD1-1152	Tube, Bent, 7/8 OD x .049W Steel	1
25	40-00491-00	Fitting, ORS, 7/8 ODF x 1-7/16	1
26	17-10811-05	Gasket, Discharge Service Valve (Valve to Compressor)	1
27	17-40012-00	Bolt, Hex Head, 5/16-18 x 2.00 Inches Long	2
28	42-00243-00	O-Ring, ORS-10, 0.921 ID x 0.139 Thick	2
29	12-00299-07	Switch, Pressure, High - Includes:	1
30	22-01585-00SK	Connector, Male, 2 Pin, Black	1
31	22-02393-00	Terminal, Male (14-16 AWG)	2
32	22-02394-01	Seal, Cable, Blue	2



12.13 Compressor Installation Components - 05G - R-134a Systems - 68RM35-604-48, -49, -59, -63, -66, -69, -70

Ref. Comp. 68PD541-104-32



Note: Common Parts Are Listed In Section 12.9

Item	Part Number	Description	Qty
1	50-01122-22	Clutch Assembly, 24 VDC - Includes:	1
2	50-01122-50	Coil, Clutch, 24 VDC	1
3	NSS	Armature Assembly	1
4	50-01122-95	Rotor And Armature Assembly (1-C Groove at 9.0 Inch OD) - Includes:	1
5	04-00130-00	Bearing	1
6	34-01186-00	Ring, Retainer	1
7	34-01161-00	Nut, Lock, Clutch, With Lube Fitting	1
8	40-01132-00	Fitting, Lubrication, 1/4-28 Tapered Thread	1



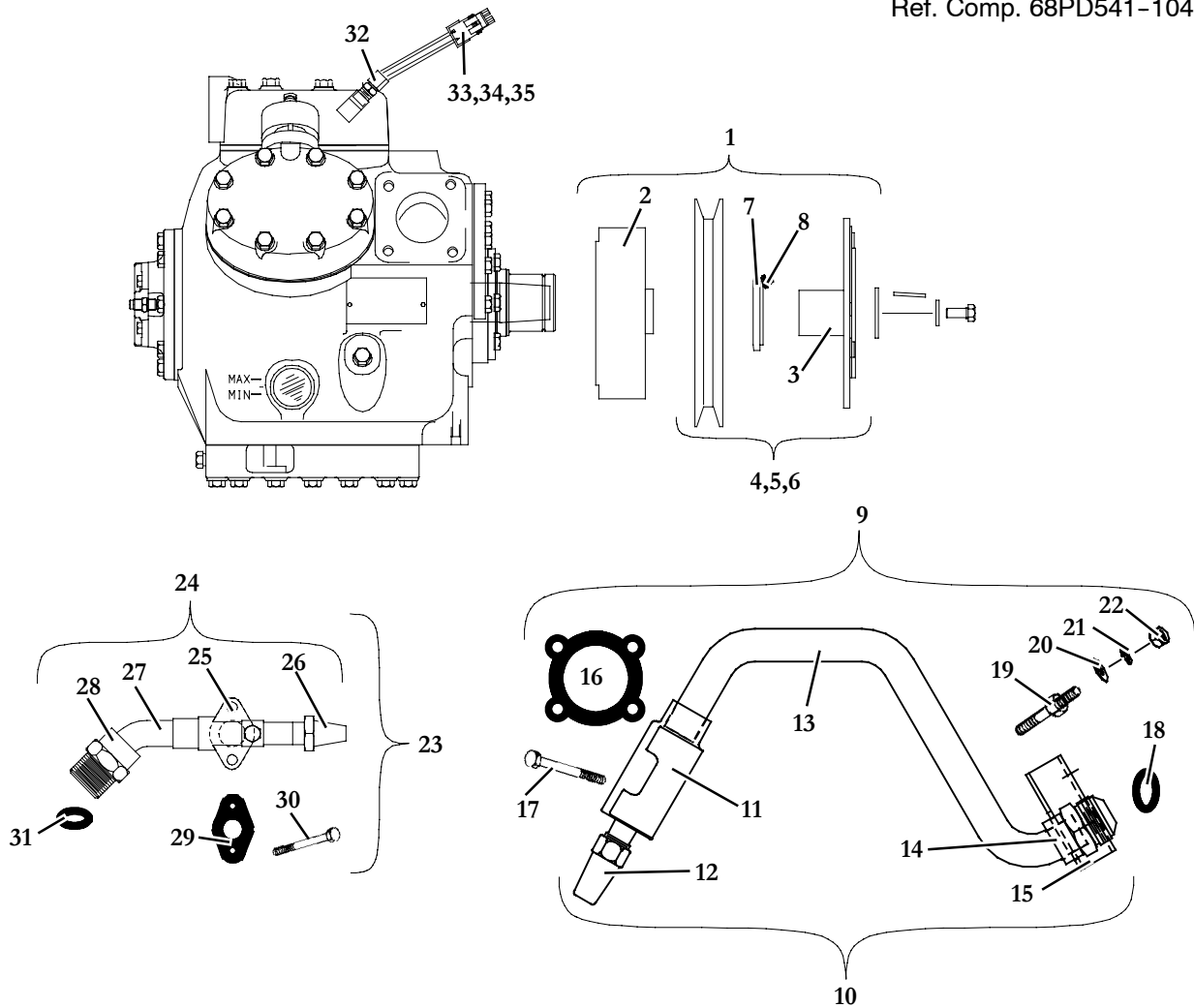
**12.13 Compressor Installation Components - 05G - R-134a Systems - 68RM35-604-48, -49, -59, -63, -66, -69, -70 (Continued)**

Item	Part Number	Description	Qty
9	68PD2-110-31	Valve Assembly, Suction, Service - Includes:	1
10	68PD1-273-1	Valve Assembly, Suction, With Tube, Bracket & Fitting - Includes:	1
11	17-31062-00	Valve, Suction, Service, 1-1/8 ODF	1
12	17-10812-00	Cap, Service Valve (With NSS O-Ring Seal)	1
13	68PD1-1033	Tube, Suction, Bent, 1-1/8 OD x .065W, Steel	1
14	66U1-1003-17	Adapter, 1-1/8 ODS x 1-7/8-12 Male 37 Degree JIC Flare	1
15	68PD1-1142-1	Bracket, Support, Suction Tube	1
16	17-40005-05	Gasket, Suction Service Valve (Valve to Compressor)	1
17	17-13020-00	Bolt, Hex Head, 1/2 - 13 x 2.50 Inches Long	4
18	KK71GW015	O-Ring, 1-5/16 x 1-1/2 x 3/32	2
19	17-44017-00	Stud, Hex Head, 3/8-16 x 3.25 x 0.88	2
20	34-00662-13	Washer, Plain, 3/8 Medium	4
21	34-00663-13	Washer, Split Lock, 3/8 Inch, SST	2
22	34-00666-13	Nut, Hex, 3/8-16, SST	2
23	68PD2-110-57	Valve Assembly, Discharge, Service - Includes:	1
24	68PD1-263	Valve Assembly, Discharge With Tube & Fitting - Includes:	1
25	14-01042-10	Valve, Discharge, Service, 7/8 ODF - Includes:	1
26	17-10812-01	Cap, Service Valve (With NSS O-Ring Seal & Relief Hole)	1
27	68PD1-1152	Tube, Bent, 7/8 OD x .049W Steel	1
28	DE07DA608	Adapter, 7/8 ODS x 1-5/16-12 Male 37 Degree JIC Flare	1
29	17-10811-05	Gasket, Discharge Service Valve (Valve to Compressor)	1
30	17-40012-00	Bolt, Hex Head, 5/16-18 x 2.00 Inches Long	2
31	KK71JV010	O-Ring, 7/8 x 1 x 1/16	2
32	12-00299-07	Switch, Pressure, High - Includes:	1
33	22-01585-00SK	Connector, Male, 2 Pin, Black	1
34	22-02393-00	Terminal, Male (14-16 AWG)	2
35	22-02394-01	Seal, Cable, Blue	2



12.14 Compressor Installation Components - 05G - R-134a Systems - 68RM35-604-72, -75, -79, -82, -85, -86

Ref. Comp. 68PD541-104-70



Note: Common Parts Are Listed In Section 12.9

Item	Part Number	Description	Qty
1	50-01122-22	Clutch Assembly, 24 VDC (Less Lock Nut Item 7) - Includes:	1
2	50-01122-50	Coil, Clutch, 24 VDC	1
3	NSS	Armature Assembly	1
4	50-01122-95	Rotor And Armature Assembly (1-C Groove at 9.0 Inch OD) - Includes:	1
5	04-00130-00	Bearing	1
6	34-01186-00	Ring, Retainer	1
7	34-01161-00	Nut, Lock, Clutch, With Lube Fitting	1
8	40-01132-00	Fitting, Lubrication, 1/4-28 Tapered Thread	1



**12.14 Compressor Installation Components - 05G - R-134a Systems - 68RM35-604-72, -75, -79, -82, -85, -86 (Continued)**

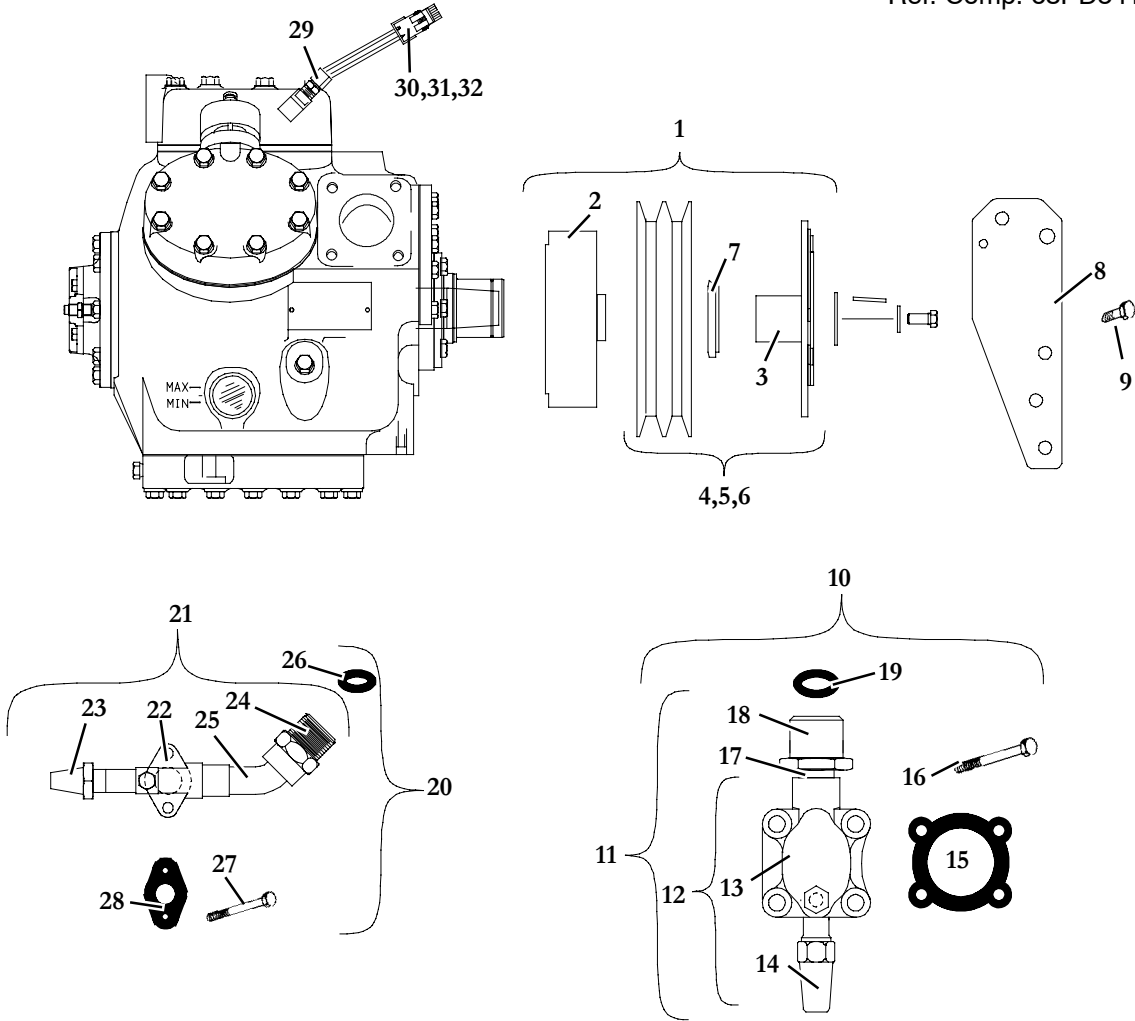
Item	Part Number	Description	Qty
9	68PD2-110-31	Valve Assembly, Suction, Service - Includes:	1
10	68PD1-273-1	Valve Assembly, Suction, With Tube, Bracket & Fitting - Includes:	1
11	17-31062-00	Valve, Suction, Service, 1-1/8 ODF	1
12	17-10812-00	Cap, Service Valve (With NSS O-Ring Seal)	1
13	68PD1-1033	Tube, Suction, Bent, 1-1/8 OD x .065W, Steel	1
14	66U1-1003-17	Adapter, 1-1/8 ODS x 1-7/8-12 Male 37 Degree JIC Flare	1
15	68PD1-1142-1	Bracket, Support, Suction Tube	1
16	17-40005-05	Gasket, Suction Service Valve (Valve to Compressor)	1
17	17-13020-00	Bolt, Hex Head, 1/2 - 13 x 2.50 Inches Long	4
18	KK71GW015	O-Ring, 1-5/16 x 1-1/2 x 3/32	2
19	17-44017-00	Stud, Hex Head, 3/8-16 x 3.25 x 0.88	2
20	34-00662-13	Washer, Plain, 3/8 Medium	4
21	34-00663-13	Washer, Split Lock, 3/8 Inch, SST	2
22	34-00666-13	Nut, Hex, 3/8-16, SST	2
23	68PD2-110-57	Valve Assembly, Discharge, Service - Includes:	1
24	68PD1-263	Valve Assembly, Discharge With Tube & Fitting - Includes:	1
25	14-01042-10	Valve, Discharge, Service, 7/8 ODF - Includes:	1
26	17-10812-01	Cap, Service Valve (With NSS O-Ring Seal & Relief Hole)	1
27	68PD1-1152	Tube, Bent, 7/8 OD x .049W Steel	1
28	DE07DA608	Adapter, 7/8 ODS x 1-5/16-12 Male 37 Degree JIC Flare	1
29	17-10811-05	Gasket, Discharge Service Valve (Valve to Compressor)	1
30	17-40012-00	Bolt, Hex Head, 5/16-18 x 2.00 Inches Long	2
31	KK71JV010	O-Ring, 7/8 x 1 x 1/16	2
32	12-00299-14	Switch, Pressure, High - Includes:	1
33	22-01585-00SK	Connector, Male, 2 Pin, Black	1
34	22-02393-00	Terminal, Male (14-16 AWG)	2
35	22-02394-01	Seal, Cable, Blue	2





12.15 Compressor Installation Components - 05G - R-134a Systems - 68RM35-604-73

Ref. Comp. 68PD541-104-71



Note: Common Parts Are Listed In Section 12.9

Item	Part Number	Description	Qty
1	50-01122-20	Clutch Assembly, 24 VDC (Less Lock Nut Item 7) - Includes:	1
2	50-01122-50	Coil, Clutch, 24 VDC	1
3	NSS	Armature Assembly	1
4	50-01122-98	Rotor And Armature Assembly (2A-2B Groove) - Includes:	1
5	04-00130-00	Bearing	1
6	34-01186-00	Ring, Retainer	1
7	34-06083-00	Nut, Lock, Clutch, Special	1
8	68-13738-00	Plate, Mounting, Alternator	1
9	34-00304-10	Screw, Hex Head Cap, 3/8-16 x 1.25 Inch Long, Zinc Plated	1

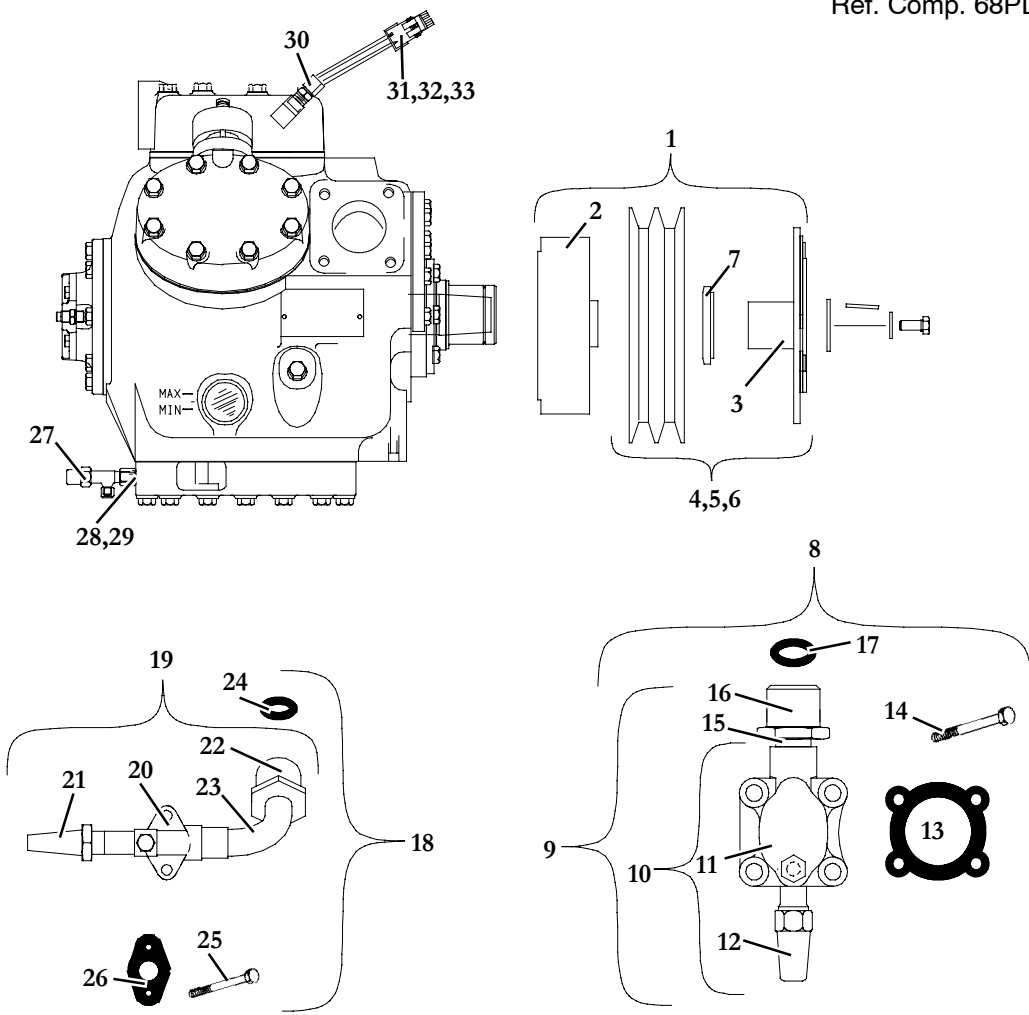


<b>12.15 Compressor Installation Components - 05G - R-134a Systems - 68RM35-604-73 (Continued)</b>			
<b>Item</b>	<b>Part Number</b>	<b>Description</b>	<b>Qty</b>
10	68PD2-110-21	Valve Assembly, Suction, Service - Includes:	1
11	68PD1-293-3	Valve Assembly, Suction, With Tube & Fitting - Includes:	1
12	17-40002-01	Valve Package, Suction, Service - Includes:	1
13	<b>NSS</b>	Valve, Suction, Service, 1-3/8 ODF	1
14	17-10812-00	Cap, Service Valve Stem, With "O" Ring, Plastic	1
15	17-40005-05	Gasket, Suction Service Valve (Valve to Compressor)	1
16	17-13020-00	Bolt, Hex Head, 1/2 - 13 x 2.50 Inches Long	4
17	40-00491-04	Fitting, ORS, 1.375 ODF x 2.00-12	1
18	68PD1-1082-2	Tube, Suction, Straight, 1-3/8 OD x .065W x 2.19 Inches Long, Steel	1
19	42-00243-02	O-Ring, 1.19 ID x 0.139 Thick	2
20	68PD2-110-61	Valve Assembly, Discharge, Service - Includes:	1
21	68PD1-263-1	Valve Assembly, Discharge With Tube & Fitting - Includes:	1
22	14-01042-10	Valve, Discharge, Service, 7/8 ODF - Includes:	1
23	17-10812-01	Cap, Service Valve (With NSS O-Ring Seal & Relief Hole)	1
24	68PD1-1152	Tube, Bent, 7/8 OD x .049W Steel	1
25	40-00491-00	Fitting, ORS, 7/8 ODF x 1-7/16	1
26	17-10811-05	Gasket, Discharge Service Valve (Valve to Compressor)	1
27	17-40012-00	Bolt, Hex Head, 5/16-18 x 2.00 Inches Long	2
28	42-00243-00	O-Ring, ORS-10, 0.921 ID x 0.139 Thick	2
29	12-00299-14	Switch, Pressure, High - Includes:	1
30	22-01585-00SK	Connector, Male, 2 Pin, Black	1
31	22-02393-00	Terminal, Male (14-16 AWG)	2
32	22-02394-01	Seal, Cable, Blue	2



12.16 Compressor Installation Components - 05G - R-134a Systems - 68RM35-604-74, -76, -77, -78, -83, -84, -87

Ref. Comp. 68PD541-104-72



**Note: Common Parts Are Listed In Section 12.9**

Item	Part Number	Description	Qty
1	50-01122-14	Clutch Assembly, 24 VDC (Less Lock Nut Item 7) - Includes;	1
2	50-01122-50	Coil Clutch, 24 VDC	1
3	NSS	Armature Assembly	1
4	50-01122-93	Rotor And Armature Assembly (2-5V Groove At 10.50 Inches OD) - Includes:	1
5	04-00130-00	Bearing	1
6	34-01186-00	Ring, Retainer	1
7	34-06083-00	Nut, Lock, Clutch, Special	1



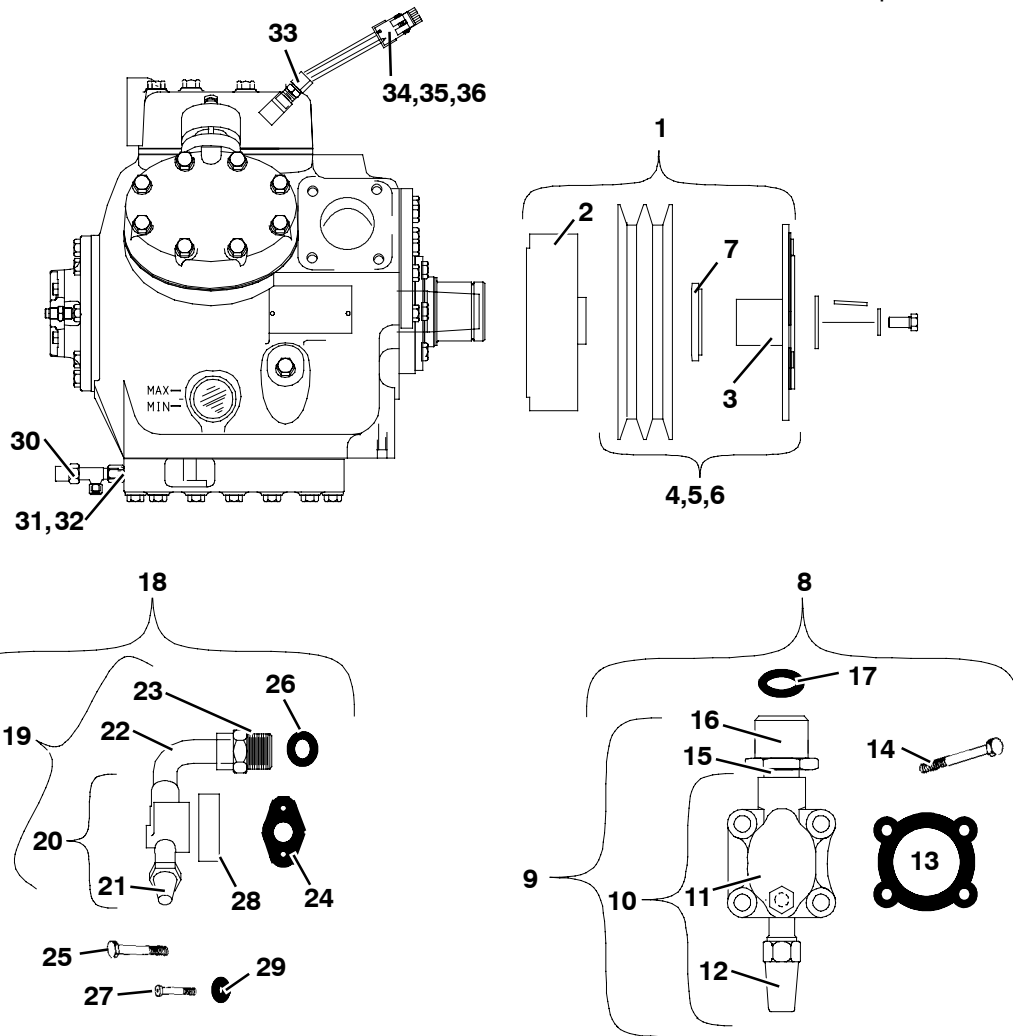
**12.16 Compressor Installation Components - 05G - R-134a Systems - 68RM35-604-74, -76, -77, -78, -83, -84, -87, -92, -93 (Continued)**

Item	Part Number	Description	Qty
8	68PD2-110-21	Valve Assembly, Suction, Service - Includes:	1
9	68PD1-293-3	Valve Assembly, Suction, With Tube & Fitting - Includes:	1
10	17-40002-01	Valve Package, Suction, Service - Includes:	1
11	<b>NSS</b>	Valve, Suction, Service, 1-3/8 ODF	1
12	17-10812-00	Cap, Service Valve Stem, With "O" Ring, Plastic	1
13	17-40005-05	Gasket, Suction Service Valve (Valve to Compressor)	1
14	17-13020-00	Bolt, Hex Head, 1/2 - 13 x 2.50 Inches Long	4
15	40-00491-04	Fitting, ORS, 1.375 ODF x 2.00-12	1
16	68PD1-1082-2	Tube, Suction, Straight, 1-3/8 OD x .065W x 2.19 Inches Long, Steel	1
17	42-00243-02	O-Ring, 1.19 ID x 0.139 Thick	2
18	68PD2-110-70	Valve Assembly, Discharge, Service - Includes:	1
19	68PD1-333-2	Valve Assembly, Discharge, With Tube & Fitting - Includes:	1
20	14-01042-10	Valve, Discharge, Service, 7/8 ODF - Includes:	1
21	17-10812-01	Cap, Service Valve (With NSS O-Ring Seal & Relief Hole)	1
22	68PD1-1092	Tube, Bent, 7/8 OD x .049W Steel	1
23	40-00491-00	Fitting, ORS, 7/8 ODF x 1-7/16	1
24	17-10811-05	Gasket, Discharge Service Valve (Valve to Compressor)	1
25	17-40012-00	Bolt, Hex Head, 5/16-18 x 2.00 Inches Long	2
26	42-00243-00	O-Ring, ORS-10, .921 ID x .139 Thick	2
27	EP23LC090	Valve, Angle, 1/4 MPT Inlet x 1/4 MFL Outlet (Oil Drain)	1
28	40-00528-01	Connector, 1/4 FPT x 7/16-20, Steel	1
29	42-00243-07	O-Ring, 0.351 ID x 0.072 Thick	2
30	12-00299-14	Switch, Pressure, High - Includes:	1
31	22-01585-00SK	Connector, Male, 2 Pin, Black	1
32	22-02393-00	Terminal, Male (14-16 AWG)	2
33	22-02394-01	Seal, Cable, Blue	2



**12.17 Compressor Installation Components - 05G - R-134a Systems - 68RM35-604-90, -91, -92, -93**

Ref. Comp. 68PD541-124-71



**Note: Common Parts Are Listed In Section 12.9**

Item	Part Number	Description	Qty
1	50-01122-14	Clutch Assembly, 24 VDC (Less Lock Nut Item 7) - Includes;	1
2	50-01122-50	Coil Clutch, 24 VDC	1
3	NSS	Armature Assembly	1
4	50-01122-93	Rotor And Armature Assembly (2-5V Groove At 10.50 Inches OD) - Includes:	1
5	04-00130-00	Bearing	1
6	34-01186-00	Ring, Retainer	1
7	34-06083-00	Nut, Lock, Clutch, Special	1

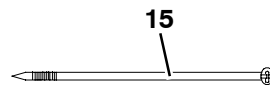
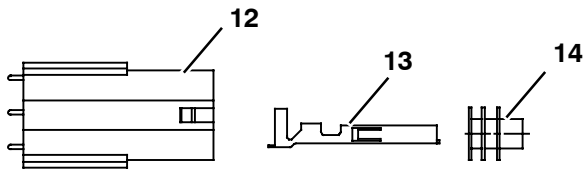
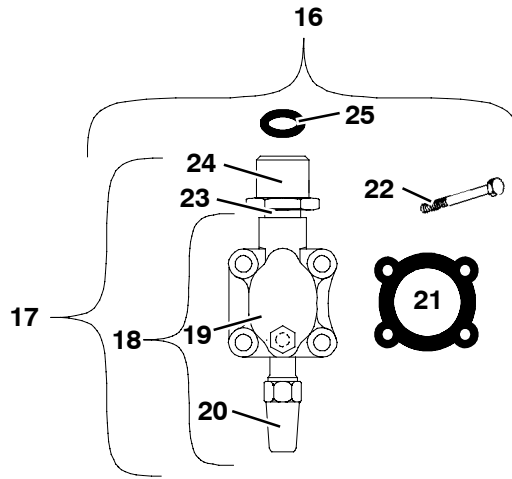
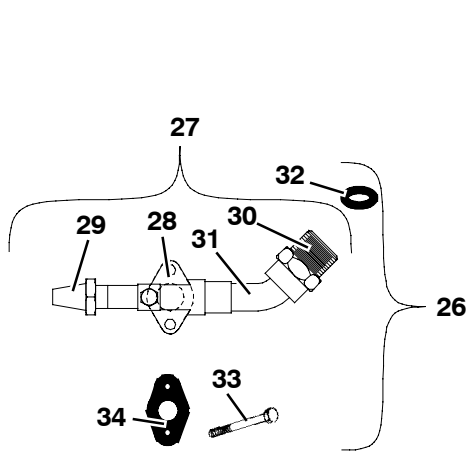
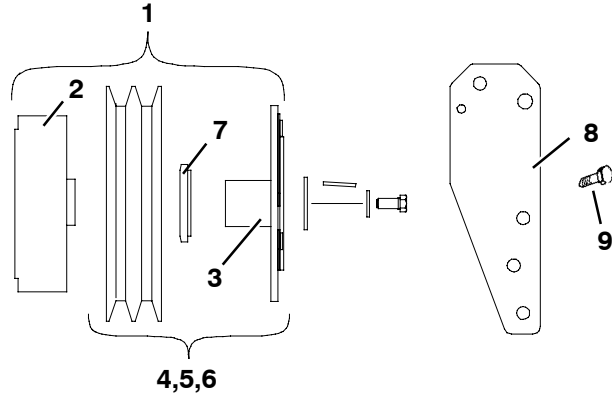
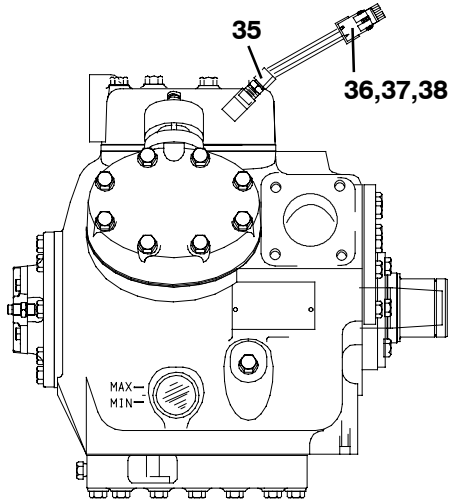


<b>12.17 Compressor Installation Components - 05G - R-134a Systems - 68RM35-604-90, -91, -92, -93</b>			
<b>Item</b>	<b>Part Number</b>	<b>Description</b>	<b>Qty</b>
8	68PD2-110-21	Valve Assembly, Suction, Service - Includes:	1
9	68PD1-293-3	Valve Assembly, Suction, With Tube & Fitting - Includes:	1
10	17-40002-01	Valve Package, Suction, Service - Includes:	1
11	<b>NSS</b>	Valve, Suction, Service, 1-3/8 ODF	1
12	17-10812-00	Cap, Service Valve Stem, With "O" Ring, Plastic	1
13	17-40005-05	Gasket, Suction Service Valve (Valve to Compressor)	1
14	17-13020-00	Bolt, Hex Head, 1/2 - 13 x 2.50 Inches Long	4
15	40-00491-04	Fitting, ORS, 1.375 ODF x 2.00-12	1
16	68PD1-1082-2	Tube, Suction, Straight, 1-3/8 OD x .065W x 2.19 Inches Long, Steel	1
17	42-00243-02	O-Ring, 1.19 ID x 0.139 Thick	2
18	68PD2-110-77	Valve Assembly, Discharge, Service - Includes:	1
19	68PD1-233-1	Valve Assembly, Discharge, With Tube & Fitting - Includes:	1
20	14-01042-10	Valve, Discharge, Service, 7/8 ODF - Includes:	1
21	17-10812-00	Cap, Service Valve (With NSS O-Ring Seal)	1
22	68PD1-1022	Tube, Bent, 7/8 OD x .049W Steel	1
23	40-00491-00	Fitting, ORS, 7/8 ODF x 1-7/16	1
24	17-10811-05	Gasket, Discharge Service Valve (Valve to Compressor)	1
25	17-40012-00	Bolt, Hex Head, 5/16-18 x 2.00 Inches Long	2
26	42-00243-00	O-Ring, ORS-10, .921 ID x 0.139 Thick	2
27	34-00503-16	Screw, Socket Head Cap, 5/16-18 x 1.00, Heat Treated	2
28	48-00335-00	Adapter, Discharge Valve, Brass	1
29	58-00511-21	Washer, Nylon, 0.37 ID x 0.50 OD, White	2
30	EP23LC090	Valve, Angle, 1/4 MPT Inlet x 1/4 MFL Outlet (Oil Drain)	1
31	40-00528-01	Connector, 1/4 FPT x 7/16-20, Steel	1
32	42-00243-07	O-Ring, 0.351 ID x 0.072 Thick	2
33	12-00299-07	Switch, Pressure, High - Includes:	1
34	22-01585-00SK	Connector, Male, 2 Pin, Black	1
35	22-02393-00	Terminal, Male (14-16 AWG)	2
36	22-02394-01	Seal, Cable, Blue	2



12.18 Compressor Installation Components - 05G - R-134a Systems - 68RM35-604-94, -95

Ref. Comp. 68PD541-124-53





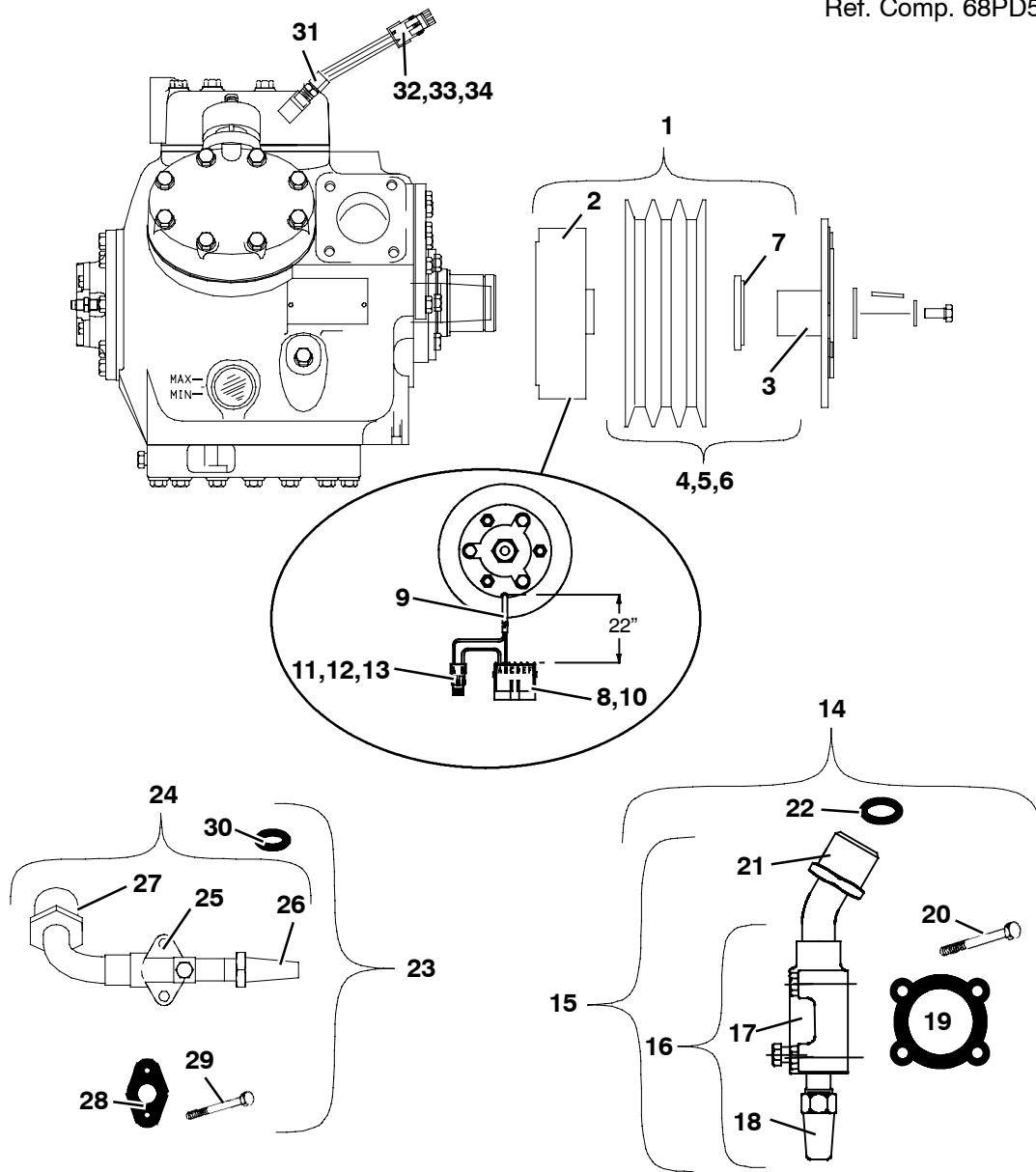
<b>12.18 Compressor Installation Components - 05G - R-134a Systems - 68RM35-604-94, -95</b>			
<b>Item</b>	<b>Part Number</b>	<b>Description</b>	<b>Qty</b>
1	50-01122-20	Clutch Assembly, 24 VDC (Less Lock Nut Item 7) - Includes:	1
2	50-01122-50	Coil, Clutch, 24 VDC	1
3	<b>NSS</b>	Armature Assembly	1
4	50-01122-98	Rotor And Armature Assembly (2A-2B Groove) - Includes:	1
5	04-00130-00	Bearing	1
6	34-01186-00	Ring, Retainer	1
7	34-06083-00	Nut, Lock, Clutch, Special	1
8	68-13738-00	Plate, Mounting, Alternator	1
9	34-00304-10	Screw, Hex Head Cap, 3/8-16 x 1.25 Inch Long, Zinc Plated	1
10	22-01566-00	Terminal, Female (14-16 AWG)	2
11	22-01585-00SK	Connector, Male, 2 Pin, Black	1
12	22-02392-01	Connector, 2 Pin, Medium Gray	2
13	22-01566-01	Terminal, Female (18-20 AWG)	4
14	22-02394-00	Seal, Cable, Gray	4
15	HY76TB130	Wire Tie, Self-Locking, 5.50 Inches	10
16	68PD2-110-21	Valve Assembly, Suction, Service - Includes:	1
17	68PD1-293-3	Valve Assembly, Suction, With Tube & Fitting - Includes:	1
18	17-40002-01	Valve Package, Suction, Service - Includes:	1
19	<b>NSS</b>	Valve, Suction, Service, 1-3/8 ODF	1
20	17-10812-00	Cap, Service Valve Stem, With "O" Ring, Plastic	1
21	17-40005-05	Gasket, Suction Service Valve (Valve to Compressor)	1
22	17-13020-00	Bolt, Hex Head, 1/2 - 13 x 2.50 Inches Long	4
23	40-00491-04	Fitting, ORS, 1.375 ODF x 2.00-12	1
24	68PD1-1082-2	Tube, Suction, Straight, 1-3/8 OD x .065W x 2.19 Inches Long, Steel	1
25	42-00243-02	O-Ring, 1.19 ID x 0.139 Thick	2
26	68PD2-110-61	Valve Assembly, Discharge, Service - Includes:	1
27	68PD1-263-1	Valve Assembly, Discharge With Tube & Fitting - Includes:	1
28	14-01042-10	Valve, Discharge, Service, 7/8 ODF - Includes:	1
29	17-10812-01	Cap, Service Valve (With NSS O-Ring Seal & Relief Hole)	1
30	68PD1-1152	Tube, Bent, 7/8 OD x .049W Steel	1
31	40-00491-00	Fitting, ORS, 7/8 ODF x 1-7/16	1
32	17-10811-05	Gasket, Discharge Service Valve (Valve to Compressor)	1
33	17-40012-00	Bolt, Hex Head, 5/16-18 x 2.00 Inches Long	2
34	42-00243-00	O-Ring, ORS-10, 0.921 ID x 0.139 Thick	2
35	12-00299-07	Switch, Pressure, High - Includes:	1
36	22-01585-00SK	Connector, Male, 2 Pin, Black	1
37	22-02393-00	Terminal, Male (14-16 AWG)	2
38	22-02394-01	Seal, Cable, Blue	2





12.19 Compressor Installation Components - 05G - R-134a Systems - 68RM35-604-96

Ref. Comp. 68PD541-124-85



Note: Common Parts Are Listed In Section 12.9

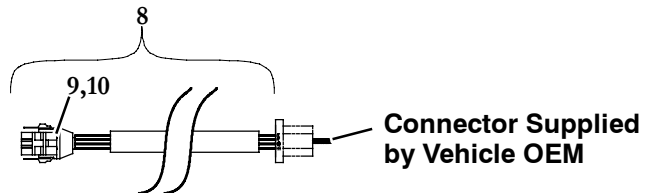
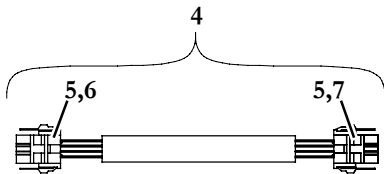
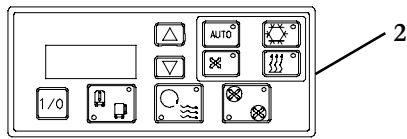
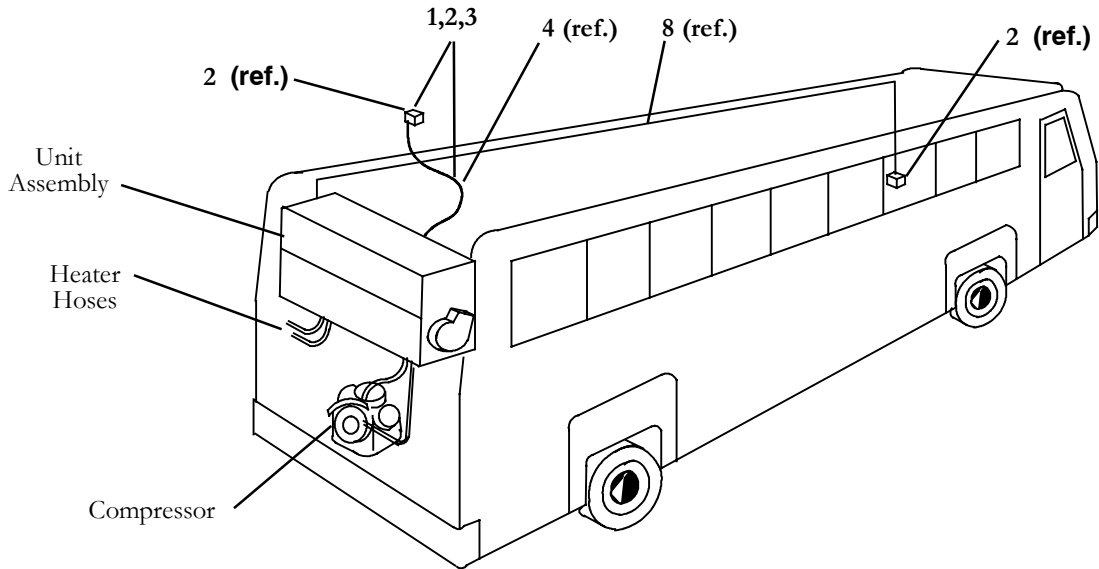
Item	Part Number	Description	Qty
1	50-01122-39	Clutch Assembly, 24 VDC (Less Lock Nut Item ?) - Includes:	1
2	50-01122-50	Coil, Clutch, 24 VDC	1
3	NSS	Armature Assembly	1
4	50-01122-110	Rotor And Armature Assembly (3-3V Groove) - Includes:	1
5	04-00130-00	Bearing	1
6	34-01186-00	Ring, Retainer	1
7	34-06083-00	Nut, Lock, Clutch, Special	1
8	22-01775-00	Connector, Female, 6 Pin, Black	1
9	58-00858-00	Tubing, Split, Corrugated, 1/4 Inch ID x 25 Feet Long	1



<b>12.19 Compressor Installation Components - 05G - R-134a Systems - 68RM35-604-96</b>			
<b>Item</b>	<b>Part Number</b>	<b>Description</b>	<b>Qty</b>
10	22-02393-00	Terminal, Male (14-16 AWG)	2
11	22-02394-01	Seal, Cable, Blue	4
12	22-01566-00	Terminal, Female (14-16 AWG)	2
13	22-01585-00SK	Connector, Male, 2 Pin, Black	1
14	68PD2-110-109	Valve Assembly, Suction, Service - Includes:	1
15	81-62164-00	Valve Assembly, Suction, With Tube & Fitting - Includes:	1
16	17-40002-01	Valve Package, Suction, Service - Includes:	1
17	<b>NSS</b>	Valve, Suction, Service, 1-3/8 ODF	1
18	17-10812-00	Cap, Service Valve Stem, With "O" Ring, Plastic	1
19	17-40005-05	Gasket, Suction Service Valve (Valve to Compressor)	1
20	17-13020-00	Bolt, Hex Head, 1/2 - 13 x 2.50 Inches Long	4
21	40-00491-04	Fitting, ORS, 1.375 ODF x 2.00-12	1
22	42-00243-02	O-Ring, 1.19 ID x 0.139 Thick	2
23	68PD2-110-110	Valve Assembly, Discharge, Service - Includes:	1
24	81-62165-01	Valve Assembly, Discharge, With Tube & Fitting - Includes:	1
25	14-01042-10	Valve, Discharge, Service, 7/8 ODF - Includes:	1
26	17-10812-00	Cap, Service Valve Stem, With "O" Ring, Plastic	1
27	40-00491-00	Fitting, ORS, 7/8 ODF x 1-7/16	1
28	17-10811-05	Gasket, Discharge Service Valve (Valve To Compressor)	1
29	17-40012-00	Bolt, Hex Head, 5/16-18 x 2.00 Inches Long	2
30	42-00243-00	O-Ring, ORS-10, 0.921 ID x 0.139 Thick	2
31	12-00299-14	Switch, Pressure, High - Includes:	1
32	22-01585-00SK	Connector, Male, 2 Pin, Black	1
33	22-02393-00	Terminal, Male (14-16 AWG)	2
34	22-02394-01	Seal, Cable, Blue	2



**13 MICROMATE CONTROL PANEL**

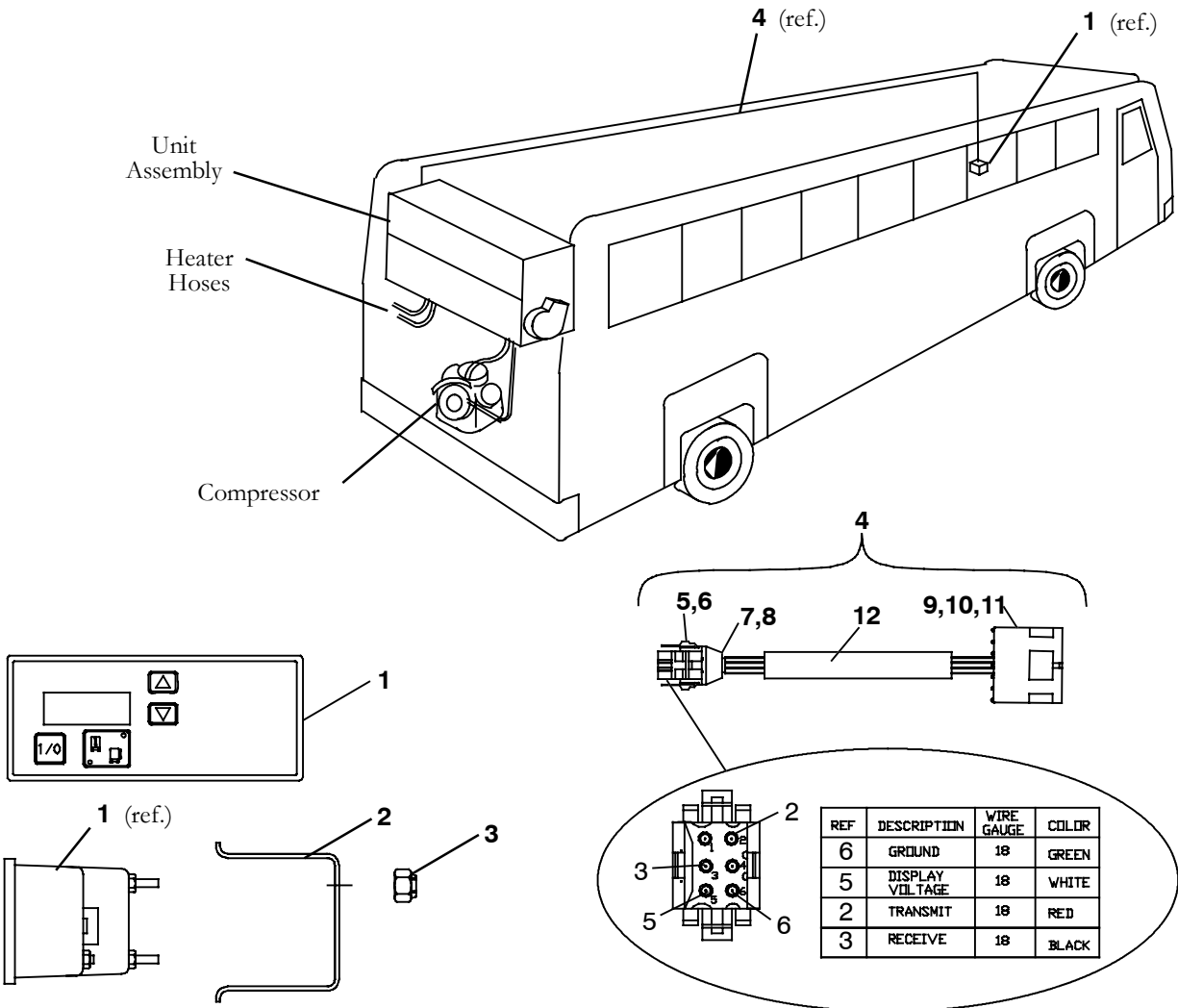


Item	Part Number	Description	Qty
1	CM090-226	Kit, Microprocessor Diagnostic Service Tool With Harness - Includes:	1
2	12-00391-03	Module, Drivers Display (Micromate Control Panel)	1
3	CM201-968	Harness, Display Module, 70 Inches (One End Uses Deutsch Connector)	1
4	22-62032-00	Harness, Display Module, 35 Inches (Used With Micromate As A Diagnostic Tool, Connects To J2 Port On Controller Logic Module) - Includes:	1
5	22-62026-00	Connector, 6 Position, Red (MCP)	1
6	22-50145-00	Connector, 4 Position(J2)	1
7	22-50152-00	Terminal, Female Receptacle (16-26 AWG)	8
8	22-62062-00	Harness, A/C Control, 58 Feet Long (Installed By Vehicle Manufacturer) - Includes:	1
9	22-62026-00	Connector, 6 Position, RED (MCP)	1
10	22-50152-00	Terminal, Female Receptacle (16-26 AWG)	4



**13.1 Micromate Control Panel - 68RM35-604-96**

**Kit 76-62036-04**



Item	Part Number	Description	Qty
1	12-00580-00	Module, Drivers Display	1
2	68-62125-00	Clamp, Retaining, Display Module	1
3	34-00667-57	Nut, Hex, Self-Locking, #6-32, SST	1
4	22-62033-01	Wire Harness, 700 Inches, A/C Control - Includes:	1
5	22-62026-00	Connector, Rectangular, 6 Pin, Brick Red (MCP)	1
6	22-50152-00	Terminal, Socket, Female (MCP)	4
7	22-50393-00	Strain Relief, Hinged, 6 Position, Brick Red (MCP)	1
8	22-50394-00	Grommet, Split, Strain Relief (MCP)	1
9	22-01775-00	Connector, Female, 6 Pin, Black (CE)	1
10	22-02393-01	Terminal, Male (18-20 AWG) (CE)	4
11	22-02394-02	Seal, Cable, Green (.06 - .08 Cable OD) (CE)	4
12	58-00848-00	Tubing, Split, Corrugated, 1/2 Inch ID x 25 Feet Long	A/R



PART NUMBER INDEX

PART NUMBER	PAGE NUMBER	PART NUMBER	PAGE NUMBER
<b>0</b>			
02-00010-01	92, 96, 100, 104, 109, 114, 120, 124, 128, 132, 138, 142, 147	12-00299-01	177, 179, 181, 185, 191
02-00134-00	154, 155, 156, 157, 158, 159, 160	12-00299-07	177, 178, 193, 195, 197, 199, 207, 209
04-00130-00	175, 187, 189, 192, 194, 196, 198, 200, 202, 204, 206, 209, 210	12-00299-14	181, 183, 201, 203, 205, 211
06DA403844	175, 177, 181, 183, 185, 186, 188, 191	12-00334-03	177, 181, 183
08-01062-02	86	12-00352-00	2
08-62010-00	85, 87	12-00371-01	50
08-62014-00	85	12-00391-03	5, 9, 11, 29, 37, 39, 45, 47, 212
08-62014-02	84, 86	12-00392-15	52, 54, 56, 59, 61, 63, 65, 67, 69, 71, 73, 75, 77, 79, 81, 83
08-62015-00	84, 86	12-00392-16	56, 59, 65, 75, 77, 79, 81, 83
<b>1</b>			
10-00247-03	53, 56, 59, 62, 64, 65, 68, 70, 72, 75, 77, 83	12-00495-02SV	3, 52, 55, 57, 60, 62, 64, 66, 68, 70, 72, 74, 78, 80, 84
10-00247-04	70	12-00580-00	213
10-00247-05	53, 59, 62, 64, 65, 68, 72, 75, 77, 81	14-00111-00	89, 94, 98, 102, 106, 111, 116, 122, 126, 129, 133, 139, 143
10-00286-09	53, 55, 56, 59, 64, 66, 72, 74, 75, 77, 80, 81, 83	14-00194-00	149, 152, 154, 155, 157
10-00286-11	50	14-00194-01	156
10-00286-12	50	14-00236-00	91, 96, 100, 104, 108, 113, 118, 128, 132, 137, 142, 147
10-00300-02	50	14-00236-50	91, 96, 100, 104, 108, 113, 118, 128, 132, 137, 142, 147
10-00307-01	53, 55, 56, 62, 64, 70, 74, 79, 83	14-00236-51	91, 96, 100, 104, 108, 113, 118, 128, 132, 137, 142, 147
10-00309-00	53, 60, 62, 64, 66, 70	14-00281-04	89, 94, 98, 102, 106, 111, 116, 122, 126, 130, 134, 140, 144
10-00311-00	84	14-00320-00	91, 96, 100, 104, 108, 113, 118, 124, 128, 132, 136, 142, 146
10-00312-00	84	14-00351-00	89, 91, 94, 96, 98, 100, 102, 106, 111, 116, 122, 126, 130, 134, 140, 144, 145
10-00314-00	53, 60, 62, 64, 66, 70	14-01032-01	89, 94, 98, 102, 106, 111, 116, 122, 126, 129, 134, 139, 144
10-00315-00	2	14-01042-06	176, 178, 180, 182
10-00329-02	158	14-01042-08	177, 178, 181, 183
12-00299-00	185		



PART NUMBER INDEX

PART NUMBER	PAGE NUMBER
14-01042-10	186, 188, 193, 195, 197, 199, 201, 203, 205, 207, 209, 211
14-01093-00	175, 185, 191
14-01104-35	102, 106, 111, 116, 122, 126, 130, 134, 140, 144
14-01104-52	89, 94
14-01110-02	149, 152, 154, 155, 156, 157
14-50036-00	149, 152, 154, 155, 156, 157
14-50050-01	89, 94, 98, 102, 106, 111, 116, 122, 126, 130, 134, 140, 144
14-50051-00	89, 94, 98, 102, 106, 111, 116, 122, 126, 130, 134, 140, 144
14-50093-00	89, 94, 98, 102, 106, 111, 116, 122, 126, 130, 134, 140, 144
16-03301-00	89, 94, 98, 102, 106, 111, 116, 122, 126, 130, 134, 140, 144
17-10811-05	176, 178, 180, 182, 186, 189, 193, 195, 197, 199, 201, 203, 205, 207, 209, 211
17-10812-00	193, 195, 197, 199, 201, 203, 205, 207, 209, 211
17-10812-01	176, 177, 178, 180, 181, 182, 183, 186, 188, 193, 195, 197, 199, 201, 203, 205, 209
17-13020-00	186, 188, 193, 195, 197, 199, 201, 203, 205, 207, 209, 211
17-21003-00	177, 178, 181, 183
17-31062-00	186, 188, 193, 199, 201
17-40002-01	195, 197, 203, 205, 207, 209, 211
17-40005-05	186, 188, 193, 195, 197, 199, 201, 203, 205, 207, 209, 211
17-40012-00	177, 178, 181, 183, 193, 195, 199, 201, 203, 205, 207, 209, 211
17-40037-05	185, 191

PART NUMBER	PAGE NUMBER
17-44012-00	186, 189, 197
17-44017-00	193, 199, 201
17-44062-00	190
17-44719-00	175
17-44732-00	177, 181
17-57019-05	176, 178, 180, 182
18-00056-100RM	174
18-00059-169	184
18-00091-150	184
18-00091-160	190

2

22-00121-27	9, 29, 39, 57, 80, 84
22-00872-01	5, 11, 15, 17, 19, 35
22-01140-02	21
22-01173-13	7, 13, 19, 21, 27, 29, 33, 39, 41, 45
22-01292-02	162, 163
22-01449-00	53, 55, 56, 59, 62, 64, 65, 68, 72, 74, 75, 77, 79, 81, 83
22-01563-04	53, 70
22-01563-05	55, 56, 59, 64, 65, 68, 72, 74, 75, 77, 79, 81, 83
22-01565-00	6, 12, 18, 20, 26, 28, 32, 38, 40, 44, 48
22-01565-01	15, 19, 21, 25, 29, 31, 33, 35, 41, 43, 45, 47, 49
22-01566-00	52, 63, 69, 71, 209, 211
22-01566-01	31, 35, 41, 43, 45, 47, 49, 54, 58, 60, 61, 66, 67, 73, 76, 78, 84, 158, 209
22-01584-00	5, 11, 15, 17, 19, 21, 35
22-01585-00	31, 39, 177, 181
22-01585-00SK	5, 7, 9, 11, 13, 15, 17, 19, 21, 22, 25, 27, 29, 31, 33, 35, 37, 39, 41, 43, 45, 47, 49, 158, 177, 178, 181, 185, 193, 195, 197, 199, 201, 203, 205, 207, 209, 211



PART NUMBER INDEX

PART NUMBER	PAGE NUMBER	PART NUMBER	PAGE NUMBER
22-01585-02	5, 7, 9, 11, 13, 15, 17, 19, 21, 22, 25, 27, 33, 35, 37, 41, 43, 45, 47, 175, 177, 181, 185, 191		63, 69, 71, 175, 177, 178, 179, 181, 183, 185, 191, 193, 195, 197, 199, 201, 203, 205, 207, 209, 211
22-01585-03	15, 25, 31, 35, 43, 47	22-02393-01	5, 7, 9, 11, 13, 15, 17, 19, 21, 23, 25, 27, 29, 31, 33, 35, 37, 38, 41, 43, 45, 47, 49, 55, 57, 58, 60, 66, 68, 73, 76, 78, 80, 82, 84, 174, 184, 190, 213
22-01594-00	51		
22-01612-00	53, 55, 56, 59, 65, 70, 74, 75, 77, 79, 81, 83	22-02394-00	5, 9, 11, 13, 15, 17, 19, 21, 23, 25, 29, 31, 33, 35, 37, 41, 43, 45, 47, 49, 174, 184, 190, 209
22-01613-14	54, 62, 64, 67, 70, 72		
22-01660-03	54, 61, 63, 67, 69, 70, 71	22-02394-01	5, 7, 9, 11, 13, 15, 17, 19, 21, 23, 25, 27, 29, 31, 33, 35, 37, 39, 41, 43, 45, 47, 49, 57, 58, 60, 66, 76, 78, 80, 82, 84, 175, 177, 178, 179, 181, 183, 185, 191, 193, 195, 197, 199, 201, 203, 205, 207, 209, 211
22-01775-00	210, 213		
22-02126-02	31, 37, 162, 163	22-02394-02	31, 35, 41, 43, 45, 47, 49, 158, 213
22-02126-03	31, 37, 49, 162, 163		
22-02301-02	31, 47	22-02448-00SV	2
22-02301-03	3	22-02804-02	175, 184, 190
22-02302-02	5, 7, 9, 15, 17, 19, 21, 23, 25, 27, 29, 31, 33, 35, 37, 39, 41, 43, 45, 47, 49	22-02863-00	57, 60, 76, 84
		22-02871-00	66
22-02302-03	3, 11	22-02896-00	76
22-02336-04	53, 55, 56, 57, 59, 60, 62, 64, 65, 66, 68, 72, 74, 75, 77, 78, 79, 80, 81, 83, 84	22-02901-00	57
22-02336-06	50	22-50078-09A	7, 13, 19, 21, 27, 29, 33, 39, 41, 45
22-02338-02	53, 55, 57, 60, 62, 64, 66, 68, 72, 74, 78, 80, 84		
22-02392-00	177, 181, 183, 185	22-50078-76B	2
22-02392-00SV	4, 6, 8, 11, 12, 14, 16, 18, 20, 23, 24, 26, 28, 31, 33, 34, 37, 38, 41, 42, 44, 46, 48, 57, 58, 60, 66, 76, 78, 80, 82, 84, 177, 179, 181, 183, 185, 191	22-50099-00	49
22-02392-01	5, 7, 9, 11, 13, 15, 17, 19, 21, 23, 25, 27, 31, 33, 35, 37, 39, 41, 43, 45, 47, 174, 184, 190, 209	22-50122-05	55, 57, 60, 66, 73, 78, 80, 84
		22-50122-15	78
22-02392-02	5, 9, 11, 15, 17, 23, 25, 35, 37, 43, 47	22-50134-00	52, 54, 57, 60, 61, 63, 66, 67, 69, 71, 73, 76, 78, 80, 82, 84
		22-50135-00	52, 54, 57, 60, 61, 63, 66, 67, 69, 71, 73, 76, 78, 80, 82, 84
22-02393-00	4, 7, 9, 11, 13, 14, 16, 18, 21, 23, 24, 27, 29, 31, 33, 35, 37, 38, 41, 43, 45, 47, 49, 52, 61,	22-50136-00	52, 54, 57, 58, 60, 61, 63, 66, 67, 69, 71, 73, 76, 78, 80, 82, 84
		22-50137-00	52, 54, 57, 58, 60, 61, 63, 66, 67, 69, 71, 73, 76, 78, 80, 82, 84



PART NUMBER INDEX

PART NUMBER	PAGE NUMBER	PART NUMBER	PAGE NUMBER
22-50138-00	52, 54, 57, 58, 60, 61, 63, 66, 67, 69, 71, 73, 76, 78, 80, 82, 84	22-62026-00	5, 9, 11, 29, 37, 39, 45, 47, 212, 213
22-50143-00	52, 54, 57, 60, 61, 63, 66, 67, 69, 71, 73, 78, 80, 82	22-62032-00	212
22-50144-00	52, 54, 57, 60, 61, 63, 66, 67, 69, 71, 73, 76, 78, 80, 82, 84	22-62033-01	213
22-50145-00	5, 9, 11, 29, 31, 35, 37, 39, 41, 43, 45, 47, 49, 52, 54, 61, 63, 66, 67, 69, 71, 73, 78, 212	22-62043-00	54
22-50146-00	52, 54, 57, 60, 61, 63, 67, 69, 71, 73, 76, 80, 82, 84	22-62056-00	67
22-50148-00	52, 54, 57, 60, 61, 63, 66, 67, 69, 71, 73, 76, 78, 80, 82, 84	22-62060-00	73
22-50152-00	5, 9, 11, 29, 31, 35, 37, 39, 41, 43, 45, 47, 49, 52, 54, 57, 60, 61, 63, 66, 67, 69, 71, 73, 76, 78, 80, 82, 84, 212, 213	22-62062-00	212
22-50153-00	52, 54, 57, 60, 61, 63, 66, 67, 69, 71, 73, 76, 78, 80, 82, 84	22-62063-00	5, 9, 11, 29, 37, 39, 45, 47
22-50236-00	52, 54, 56, 59, 61, 63, 65, 67, 69, 71, 73, 75, 77, 79, 81, 83	22-62076-00	57, 60, 66, 80, 84
22-50275-00	52, 54, 57, 60, 61, 63, 66, 67, 69, 71, 73, 76, 78, 80, 82, 84	22-62077-00	76, 82
22-50325-00	84	22-62078-00	66
22-50326-00	84	22-62079-00	80
22-50346-00	57, 60, 66, 78, 80, 84	22-62080-00	75, 78, 82
22-50347-00	57, 60, 66, 78, 80, 84	22-62081-00	80, 82
22-50359-00	57, 60, 66, 78, 80, 84	22-62082-00	60, 76
22-50393-00	213	22-62086-00	60
22-50394-00	213	22-62087-00	57, 84
22-62005-00	2	22-62088-00	66, 78
22-62015-00	7, 27, 29, 39	22-62097-00	31, 35, 43, 47, 49
22-62017-00	5, 9, 11, 15, 17, 23, 25, 31, 35, 37, 43, 47	22-62146-00	57
22-62018-00	5, 9, 11, 15, 17, 23, 25, 31, 35, 37, 43, 47	22-62176-00	41, 45
22-62018-01	9, 35, 37	22-62186-00	8, 10, 30, 34, 42, 46, 48
22-62018-02	49	22-62191-00	84

3

34-00304-10	196, 202, 209
34-00360-09	51, 154, 156, 160
34-00366-17	156
34-00368-12	175
34-00372-12	185
34-00372-13	191
34-00373-03	3, 62, 70
34-00373-05	72
34-00373-07	7, 13, 19, 21, 27, 29, 33, 39, 41, 45, 49, 128, 147





PART NUMBER INDEX

PART NUMBER	PAGE NUMBER	PART NUMBER	PAGE NUMBER
34-00373-13	3, 120, 138, 144	34-00662-09	5, 9, 11, 19, 21, 27, 29, 33, 35, 39, 41, 43, 45, 154, 156, 160
34-00373-51	185, 191		
34-00373-69	128	34-00662-11	3, 84, 85, 86, 87, 89, 94, 98, 103, 107, 112, 116, 123, 127, 130, 135, 140, 146, 149, 152, 154, 155, 157, 158, 159, 160, 161, 163
34-00503-16	207		
34-00565-00	168	34-00662-12	84, 85, 86, 87, 91, 96, 100, 104, 108, 113, 118, 124, 128, 132, 136, 142, 146, 163
34-00565-02	168		
34-00613-10	185, 190	34-00662-13	89, 94, 98, 102, 103, 106, 107, 111, 112, 116, 117, 122, 123, 126, 127, 130, 131, 134, 135, 140, 141, 144, 146, 193, 199, 201
34-00615-05	175		
34-00615-08	175	34-00662-14	156
34-00615-26	175		
34-00655-04	104, 124, 142	34-00662-18	96, 149, 152, 154, 155, 157
34-00655-06	3, 84, 85, 86, 87, 91, 96, 100, 104, 113, 118, 124, 128, 132, 137, 142, 146, 155, 154, 155, 156, 157, 158, 159, 160, 161, 173	34-00663-08	13, 19, 21, 33, 35, 51, 91, 96, 100, 104, 108, 113, 118, 124, 128, 132, 138, 142, 147
34-00655-08	56, 59, 65, 75, 77, 79, 81, 83, 102, 106, 108, 111, 123, 126, 130, 135, 140, 146, 149, 152, 154, 157, 163		
34-00662-07	149, 152, 154, 155, 158	34-00663-09	5, 9, 11, 19, 21, 23, 27, 29, 33, 35, 39, 41, 43, 45, 47, 53, 55, 62, 64, 68, 70, 72, 74
34-00662-08	19, 21, 33, 91, 96, 100, 113, 119, 124, 128, 132, 138, 142, 147		



PART NUMBER INDEX

PART NUMBER	PAGE NUMBER	PART NUMBER	PAGE NUMBER
34-00663-11	3, 51, 84, 85, 86, 87, 91, 96, 100, 104, 108, 113, 118, 124, 128, 132, 137, 142, 146, 155, 155, 156, 157, 158, 159, 160, 161, 163	34-00938-13	3
34-00663-12	84, 85, 86, 87, 92, 96, 100, 124, 128, 132, 142, 147, 162, 163	34-00938-14	7, 27, 29, 39
34-00663-13	89, 92, 94, 96, 98, 100, 102, 106, 111, 114, 116, 119, 122, 126, 130, 134, 138, 140, 144, 162, 177, 181, 193, 199, 201	34-01161-00	198, 200
34-00663-14	156	34-01186-00	175, 187, 189, 192, 194, 196, 198, 200, 202, 204, 206, 209, 210
34-00665-14	149, 152, 154, 155, 156, 157	34-01268-01	7, 13, 19, 21, 27, 29, 33, 39, 41, 45, 49
34-00666-11	7, 13, 19, 21, 27, 29, 33, 39, 41, 45, 49, 92, 96, 100, 163	34-01279-13	7, 27, 29, 39
34-00666-13	177, 181, 193, 199, 201	34-01305-01	55, 62, 64, 68, 70, 72
34-00667-07	5, 29, 39, 45, 47, 55, 62, 64, 68, 70, 72, 150, 152, 154, 155, 158	34-01305-03	149, 152, 154, 155, 158
34-00667-09	5, 11, 15, 17, 19, 21, 35, 51	34-06083-00	175, 185, 192, 194, 196, 202, 204, 206, 209, 210
34-00667-11	91, 163	34-06088-00	91, 99, 104, 108, 113, 117, 131, 136, 146
34-00667-57	11, 213	34-06088-01	91, 99, 112, 136
34-00667-61	104, 108, 113, 118, 124, 128, 132, 136, 142, 146	34-06088-02	104, 108, 117, 131, 136, 146
34-00672-00	161, 163	34-06095-01	2
34-00704-06	7, 27, 29, 39	34-06121-03	91, 96, 100, 104, 108, 113, 118, 124, 128, 132, 136, 142, 146
34-00792-06	84, 85, 86	34-06121-04	91, 96, 100, 104, 108, 113, 118, 124, 128, 132, 136, 142, 146
34-00792-08	162, 163	34-06179-01	5, 9, 11, 19, 21, 27, 29, 33, 35, 39, 41, 43, 45, 47, 68
34-00799-04	91, 96, 100, 104, 108, 113, 118, 124, 128, 132, 136, 142, 146	34-06179-03	51
34-00807-08	89, 94, 98, 102, 107, 111, 116, 123, 126, 130, 135, 140, 146, 162	34-06212-00	47
34-00827-10	185, 191	34-06212-08	51
34-00855-04	89, 94, 98, 102, 106, 111, 116, 122, 126, 130, 134, 140, 144	34-06212-10	51
34-00879-03	3	34-06212-12	51
		34-06212-14	162
		34-06212-15	149, 152, 154, 155, 157
		34-06264-03	91, 96, 100, 113, 118, 138
		34-06264-04	13, 19, 21, 33, 35, 51, 104, 108, 124, 128, 132, 142, 147
		34-06264-06	53, 55, 56, 59, 62, 64, 65, 68, 70, 72, 74, 75, 77, 79, 81, 83
		34-60019-04	138



PART NUMBER INDEX

PART NUMBER	PAGE NUMBER	PART NUMBER	PAGE NUMBER
34-60019-05	114, 138	40-00491-00	102, 106, 111, 116, 126, 130, 134, 144, 177, 178, 181, 183, 186, 195, 197, 203, 205, 207, 209, 211
34-62000-00	51	40-00491-01	89, 98, 176, 178, 180, 182, 186, 193
34-62000-01	51	40-00491-04	102, 106, 116, 126, 130, 134, 144, 195, 197, 203, 205, 207, 209, 211
34-62001-00	3	40-00491-06	111, 134
34-62019-04	120	40-00501-05	104, 108, 113, 118, 122, 124, 127, 128, 132, 136, 142, 146
34-62019-05	119	40-00501-06	91, 95, 96, 100
34-62055-00	51	40-00501-07	102, 106, 111, 116, 122, 126, 130, 134, 140, 144
38-00512-00	164, 165, 166, 167, 168, 169, 170, 171, 172, 173	40-00501-08	89, 94, 98
38-00512-01	164, 165, 166, 167, 168, 169, 170, 171, 172, 173	40-00501-50	89, 91, 94, 96, 98, 100, 102, 104, 106, 108, 111, 113, 116, 118, 124, 126, 128, 130, 132, 134, 136, 140, 142, 144, 146
38-00516-00	161	40-00503-03	91, 96, 100, 104, 108, 113, 118, 124, 128, 132, 136, 142, 146
38-00546-01	148	40-00503-04	91, 96, 100, 104, 108, 113, 118, 124, 128, 132, 136, 142, 146
38-00547-00	148	40-00520-00	175, 191
38-00565-00	166, 170	40-00520-01	175, 191
38-00565-02	166, 170	40-00520-02	191
38-00571-00	167, 168, 169, 171, 172, 173	40-00520-03	175, 191
38-00571-01	167, 168, 169, 171, 172, 173	40-00524-00	175, 191
<b>4</b>			
40-00060-02	186, 188	40-00524-01	175, 191
40-00060-03	89, 94, 98, 102, 106, 111, 116, 122, 126, 129, 139, 144	40-00528-01	187, 195, 205, 207
40-00060-08	187, 189	40-00528-02	175, 177, 179, 181, 183
40-00071-19	106, 130, 144	40-00541-02	149, 151, 152, 153, 154, 155, 156, 157
40-00071-46	89, 98	40-00647-00	126, 128
40-00081-00	84, 85, 86, 87	40-01124-00	89, 94, 98, 102, 111, 116, 122, 126, 130, 140, 144, 145
40-00086-04	186, 188	40-01132-00	198, 200
40-00201-15	91, 96, 100		
40-00243-00	89, 98, 186		
40-00243-01	89, 98, 177, 181, 183, 186		
40-00243-03	124		
40-00243-11	124		



PART NUMBER INDEX

PART NUMBER	PAGE NUMBER	PART NUMBER	PAGE NUMBER
40-01166-01	185, 191	42-62032-00	87
40-01222-01	173	42-62033-00	87
40-01224-00	91, 96, 100, 106, 134	42-62070-00	167, 168, 169, 171, 172, 173
40-60060-06	120, 138	42-62070-01	167, 168, 169, 171, 172, 173
40-60061-06	120, 138	42-62075-00	158
40-60061-07	114, 119, 138	42-62089-00	159
40-62028-00	118, 136	44-00045-03	91, 96, 104, 108, 113, 118, 124, 128, 132, 136, 142, 146
40-62032-01	113, 118, 119, 136, 138, 144	44-00102-06	9, 11, 31, 35, 43, 47
40-62032-02	118, 136, 146	44-00102-51	5, 7, 9, 11, 19, 21, 27, 29, 33, 35, 39, 41, 43, 45, 47, 49
40-62041-00	120, 138, 144	44-00102-54	177, 181
40-63028-00	146	44-00318-00	149, 151, 152, 154, 155, 156, 157
42-00032-00	92, 96, 100, 104, 109, 114, 120, 124, 128, 132, 142	44-00337-12	91, 96, 100
42-00032-01	147	44-01134-14	128
42-00243-00	103, 108, 112, 117, 127, 131, 136, 146, 177, 178, 181, 183, 195, 197, 203, 205, 207, 209, 211	44-62000-00	13, 19, 21, 33
42-00243-01	112, 127, 135, 176, 178, 181, 183, 193	48-00335-00	207
42-00243-02	103, 108, 113, 117, 131, 135, 146, 175, 195, 197, 205, 207, 209, 211	<b>5</b>	
42-00243-03	91, 96, 100, 104, 108, 118, 128, 132, 136, 142, 146	50-00122-14	187, 189, 194, 204, 206
42-00243-07	177, 179, 181, 183, 187, 195, 205, 207	50-00122-20	192, 196, 202, 209
42-00243-11	91, 96, 100, 104, 108, 113, 118, 128, 132, 136, 142, 146	50-00122-22	198, 200
42-01232-00	156	50-00122-23	164, 175
42-62004-00	155	50-00122-50	175, 187, 189, 192, 194, 196, 198, 200, 202, 204, 206, 209
42-62005-00	51	50-00122-500	175
42-62008-00	154, 156, 160	50-00122-93	187, 189, 194, 204, 206
42-62009-00	156, 160	50-00122-95	198, 200
42-62030-00	166, 168, 170	50-00122-98	192, 196, 202, 209
42-62030-01	166, 168, 170	50-01122-110	210
42-62031-00	87	50-01122-39	210
		50-01122-50	210
		54-00122-23	162, 164, 165, 166, 167, 168, 169, 170, 171, 173
		54-00508-20	164, 165, 166, 167, 169



PART NUMBER INDEX

PART NUMBER	PAGE NUMBER	PART NUMBER	PAGE NUMBER
54-00508-30	162, 164, 168, 170, 171, 173	56-62035-00	113, 136, 142
54-00517-20	162, 164, 168, 170, 171, 173	56-62036-00	102, 106, 122
54-00533-00	162	56-62036-02	126
54-00599-00	164, 165, 166, 167, 169	56-62037-00	102, 106
54-50067-00	162, 164, 165, 166, 167, 169	56-62038-00	102, 106, 109, 116, 122
54-50067-31	162, 164, 165, 166, 167, 168, 169, 170, 171, 173	56-62040-00	122, 126, 140
56-00143-37	113, 118, 136	56-62055-00	89, 98, 106, 130, 144
56-00143-74	100, 113, 128, 132, 136, 138, 142, 146	56-62057-00	106, 130, 145
56-00143-75	91, 96, 100, 104, 108, 113, 118, 124, 128, 132, 136, 142, 146	56-62058-00	108
56-0031	154, 155, 156, 157, 158, 159, 160	56-62060-00	108, 132, 146
56-03832-00	102, 104, 111, 113, 116, 118, 122, 124, 126, 134, 136, 140, 142	56-62061-00	108
56-03833-00	102, 111, 116, 134	56-62064-00	89, 94, 98, 106, 126, 130, 144
56-03834-00	102, 111, 116, 122, 134, 140	56-62065-00	91, 96, 100, 108, 128, 132, 146
56-03835-00	104, 118, 124, 151, 156	56-62066-00	149
56-03835-01	151, 156	56-62075-00	155
56-03836-00	140	56-62075-01	154
56-03837-00	128	56-62079-00	149
56-03838-00	111, 126, 130, 132, 134, 140, 146, 147	56-62083-00	91, 100
56-03839-00	89, 94, 98, 102, 106, 111, 116, 122, 130, 134, 140, 144	56-62087-00	91, 95
56-03840-00	102, 111, 116, 122, 134, 140	56-62088-00	89, 94, 116, 122
56-03842-00	102, 122, 140	56-62089-00	89, 94, 98, 111, 116, 122, 126, 130, 134, 140, 144
56-03843-03	118, 124	56-62093-00	118, 136, 146
56-03843-04	91, 96	56-62101-00	96
56-03843-06	100, 113, 128, 132, 136, 142, 146	56-62120-00	106, 130, 144
56-03844-00	102, 111	56-62121-00	94
56-03844-01	116, 134	56-62122-00	94
56-03903-00	144	56-62127-00	124, 142
		56-62128-00	119, 138
		56-62135-00	111, 116
		56-62136-00	113, 118
		56-62141-00	98, 111, 126, 130, 134, 140, 144
		56-62146-21	89, 98



PART NUMBER INDEX

PART NUMBER	PAGE NUMBER	PART NUMBER	PAGE NUMBER
56-62157-00	109, 132, 147	58-00906-00	13
56-62158-00	106, 130, 146	58-00906-12	177, 181
56-62163-00	132, 146	58-01368-00	9, 11, 31, 35, 37, 43, 47, 49
56-62164-00	128, 132, 147	58-04040-00	13, 33, 41
56-62173-00	100	58-04113-00	148
56-62198-01	152, 157	58-04114-00	148
56-62199-01	152, 157	58-04115-00	148
56-62203-00	136	58-60115-04F50	120
56-62204-00	134	58-60115-05F50	114, 119, 138
56-62207-00	89, 94, 98, 102, 106, 111, 116, 122, 126, 130, 134, 140, 144	58-62021-00	114, 119, 138
56-62208-00	128	58-62022-00	120, 138, 144
56-62209-00	128	58-62124-00	5, 7, 9, 11, 15, 17, 19, 21, 23, 25, 27, 33, 35, 37, 39, 41, 43, 45
56-62237-00	154, 155	58-62171-00	3
58-00065-26	23	<b>6</b>	
58-00065-27	19, 21, 60, 66	62-02444-00	175
58-00065-49	3	62-02913-00	175, 190
58-00065-85	5, 9, 11, 13, 15, 17, 19, 21, 23, 25, 27, 29, 31, 33, 35, 37, 39, 41, 43, 45, 47, 49, 89, 94, 98, 103, 112, 117, 123, 127, 131, 135, 141, 146	62-03797-00	185
58-00065-86	91, 96, 100	62-62001-00	154, 155, 156, 157, 158, 159, 160
58-00065-87	3	62-62038-00	162, 170, 171
58-00065-88	104, 107, 108, 113, 118, 124, 128, 132, 136, 142, 146	62-62039-00	154, 155, 156, 157, 158, 159, 160, 190
58-00079-00	51	62-62039-01	154, 155, 156
58-00511-08	51	62-62040-02	53, 70
58-00511-21	207	62-62040-04	55, 56, 59, 64, 65, 68, 72, 74, 75, 77, 79, 81, 83
58-00712-17	149, 151, 152, 153, 154, 155, 156, 157	62-62041-00	150, 151, 152, 154, 155, 156, 158
58-00848-00	3, 213	62-62041-01	150, 151, 152, 154, 155, 156, 158
58-00848-33	177, 181	62-62041-04	4, 6, 8, 12, 14, 16, 18, 20, 22, 24, 26, 28, 30, 32, 34, 36, 38, 40, 42, 44, 46, 48
58-00850-00	3, 51, 163	62-62041-05	4, 7, 8, 13, 14, 16, 19, 22, 24, 27, 28, 30, 33, 34, 36, 39, 41, 42, 45, 46, 48
58-00858-00	3, 177, 181, 210		



PART NUMBER INDEX

PART NUMBER	PAGE NUMBER	PART NUMBER	PAGE NUMBER
62-62041-06	6, 12, 18, 20, 26, 29, 32, 38, 40, 44, 49	65-01093-00	89, 94, 98, 101, 105, 110, 115, 121, 125, 129, 133, 139, 143
62-62041-07	55, 74, 80, 81	66CH1-1212-8	149, 152, 154, 155, 157
62-62041-11	51	66NS0801CD0020	174, 184, 190
62-62041-13	53, 55, 56, 59, 62, 64, 65, 68, 70, 74, 79, 83	66U1-1003-17	199, 201
62-62041-16	51	66U1-1003-19	122, 140
62-62041-17	5, 15, 17, 19, 21	66U1-1214-5	89, 94, 98, 102, 106, 111, 116, 122, 126, 130, 134, 140, 144
62-62041-18	17, 21	66U1-1224-51	98
62-62041-20	51	66U1-2583-42	7, 27, 29, 39
62-62041-21	53, 55, 56, 59, 62, 64, 65, 68, 70, 74, 79, 83	66U1-3041	149, 152, 154, 155, 157
62-62041-22	9, 19, 39, 43, 47, 53, 55, 62, 64, 68, 70, 72, 74, 77	66U1-3803	177, 181
62-62041-24	53, 55, 57, 60, 62, 64, 66, 68, 74, 75, 78, 80, 82, 84	66U1-3803-15	162, 163
62-62041-25	53, 55, 56, 59, 64, 66, 72, 74, 75, 76, 78, 80, 81, 83, 84	66U1-3882	3, 51, 149, 152, 154, 155, 156, 157, 177, 181, 185, 191
62-62041-26	51	66U1-5371-7	15, 17, 53, 55, 62, 64, 70, 72, 74
62-62041-27	51	66U1-9122	104
62-62041-28	70	66U2-1132-2	177, 181
62-62043-00	53, 59, 62, 64, 65, 68, 72, 75, 77, 81	68-08246-00	86
62-62043-01	55, 56, 74, 79, 83	68-08246-01	86
62-62043-02	53, 59, 62, 64, 65, 68, 72, 75, 77, 81	68-12987-00	193
62-62043-03	55, 56, 74, 79, 83	68-13738-00	196, 202, 209
62-62043-04	59, 65, 68, 72, 75, 77, 81	68-62034-00	104
62-62043-05	53, 55, 56, 62, 64, 74, 79, 83	68-62038-00	164, 165, 166, 167, 169
62-62043-06	59, 65, 68, 72, 75, 77, 81	68-62041-04	10
62-62043-07	53, 55, 56, 62, 64, 74, 79, 83	68-62041-05	10
62-62044-00	53, 57, 60, 62, 64, 66, 68, 72, 75, 78, 84	68-62041-17	11, 35
62-62045-00	154, 155, 156, 157, 158, 159, 160	68-62041-22	11, 29, 35
62-62158-00	137	68-62114-02	91, 96
		68-62114-03	104, 108, 118, 124
		68-62125-00	5, 9, 11, 29, 37, 39, 45, 47, 213
		68-62158-00	91, 96, 100, 104, 108, 113, 118, 124, 128, 132, 142, 146
		68-62182-00	7, 27, 39, 41, 45



PART NUMBER INDEX

PART NUMBER	PAGE NUMBER	PART NUMBER	PAGE NUMBER
68-62217-00	108	68PD1-1003	175
68-62228-00	154, 156, 160	68PD1-1013	175
68-62229-00	63, 69, 71	68PD1-1022	193, 207
68-62233-00	156, 160	68PD1-1033	188, 199, 201
68-62260-00	149, 152, 157	68PD1-1082-2	195, 197, 203, 205, 207, 209
68-62266-00	91, 96, 118, 124	68PD1-1092	177, 178, 181, 183, 186, 195, 205
68-62274-00	52, 54	68PD1-1102	176, 178, 180, 182
68-62275-00	19, 60, 66	68PD1-1102-1	193
68-62306-00	108, 132	68PD1-1142	188
68-62306-02	91, 100	68PD1-1142-1	199, 201
68-62307-00	91, 100, 108, 132, 146	68PD1-1152	188, 197, 199, 201, 203, 209
68-62320-00	5, 7, 9, 11, 15, 17, 19, 21, 23, 25, 27, 29, 31, 33, 35, 37, 39, 41, 43, 45, 47, 49	68PD1-1202	185, 191
68-62402-00	5, 9, 11, 29, 37, 39, 45, 47	68PD1-214	176, 178, 180
68-62477-00	67, 73	68PD1-233-1	207
68-62492-00	118, 136, 146	68PD1-263	188, 199, 201
68-62492-02	113, 118, 119, 136, 144	68PD1-263-1	197, 203, 209
68-62504-00	119, 138	68PD1-273	188
68-62504-02	114, 120, 138, 144	68PD1-273-1	199, 201
68-62505-00	124, 142	68PD1-293	186
68-62603-00	56, 59, 65, 75, 77, 79, 81, 83	68PD1-293-3	195, 197, 203, 205, 207, 209
68-62604-00	56, 59, 65, 75, 77, 79, 81, 83	68PD1-313	177, 178, 181, 183
68-62638-00	100, 113, 128, 132, 137, 142, 146	68PD1-333-1	186
68-62649-00	100, 113, 128, 132, 136, 142, 146	68PD1-333-2	195, 205
68-62766-00	113	68PD1-343	182
68-62942-00	167, 168, 171, 172	68PD1-343-2	193
68-62942-02	138	68PD1-384	193
68-63213-00	159	68PD1-473	177, 181
68-63316-00	84	68PD2-1082	186
68G2-9072	185, 190	68PD2-110-109	211
68G2-9082	185, 190	68PD2-110-110	211
68G2-9082-1	175	68PD2-110-14	182
		68PD2-110-21	195, 197, 203, 205, 207, 209
		68PD2-110-23	176, 178, 180
		68PD2-110-31	199, 201





PART NUMBER INDEX

PART NUMBER	PAGE NUMBER	PART NUMBER	PAGE NUMBER
68PD2-110-36 . . . . .	193	68RM35-1242 . . . . .	94, 122, 140
68PD2-110-5 . . . . .	186	68RM35-1242-1 . . . . .	94
68PD2-110-57 . . . . .	199, 201	68RM35-1242-2 . . . . .	122, 140
68PD2-110-61 . . . . .	197, 203, 209	68RM35-1303 . . . . .	154, 155, 156, 157, 158, 159, 160
68PD2-110-65 . . . . .	177, 178, 181	68RM35-1303-1 . . . . .	154, 155, 157, 158, 159
68PD2-110-70 . . . . .	186, 195, 205	68RM35-1328 . . . . .	157
68PD2-110-77 . . . . .	207	68RM35-1458P . . . . .	104, 108
68PD2-110-84 . . . . .	193	68RM35-148-13 . . . . .	61
68PD2-110-90 . . . . .	183	68RM35-148-14 . . . . .	63
68RM35-1004 . . . . .	154, 155, 157, 158, 159	68RM35-148-15 . . . . .	69
68RM35-1027P . . . . .	55, 70, 74	68RM35-148-24 . . . . .	52
68RM35-1036P . . . . .	70	68RM35-148-26 . . . . .	71
68RM35-1037 . . . . .	70	68RM35-1518P . . . . .	148
68RM35-1046 . . . . .	70	68RM35-157 . . . . .	104, 108
68RM35-1058P . . . . .	155	68RM35-167 . . . . .	122, 140
68RM35-107 . . . . .	172	68RM35-168-12 . . . . .	12
68RM35-1073 . . . . .	126	68RM35-168-13 . . . . .	14
68RM35-107P . . . . .	165, 166, 167, 168, 169	68RM35-168-14 . . . . .	22
68RM35-1086 . . . . .	126	68RM35-168-18 . . . . .	16
68RM35-1106P . . . . .	163	68RM35-168-23 . . . . .	4
68RM35-1133 . . . . .	157, 160, 161	68RM35-168-25 . . . . .	24
68RM35-1137 . . . . .	104	68RM35-168-27 . . . . .	6
68RM35-1153 . . . . .	164, 165, 166, 168	68RM35-168-28 . . . . .	20
68RM35-1153-1 . . . . .	164, 165, 166, 168	68RM35-168-29 . . . . .	26
68RM35-1157 . . . . .	104, 124, 142	68RM35-168-31 . . . . .	8, 42
68RM35-1163-4 . . . . .	154, 155, 157, 158, 159, 160	68RM35-168-32 . . . . .	30, 36
68RM35-1163-5 . . . . .	154, 155, 157, 158, 159, 160	68RM35-168-33 . . . . .	18
68RM35-1163-9 . . . . .	156	68RM35-168-34 . . . . .	32
68RM35-117P . . . . .	164, 168, 170, 171, 173	68RM35-168-35 . . . . .	10, 34
68RM35-1206 . . . . .	151, 156	68RM35-168-36 . . . . .	28
68RM35-1207P . . . . .	157	68RM35-168-37 . . . . .	38
68RM35-1226-1 . . . . .	154, 155	68RM35-168-38 . . . . .	40, 44
68RM35-1227 . . . . .	151, 156	68RM35-168-39 . . . . .	46
68RM35-1237 . . . . .	104, 108	68RM35-168-41 . . . . .	8, 42
		68RM35-168-42 . . . . .	30, 36



PART NUMBER INDEX

PART NUMBER	PAGE NUMBER	PART NUMBER	PAGE NUMBER
68RM35-168-43 . . . .	18	68RM40-157 . . . . .	52, 54, 56, 59, 61, 63, 65, 67, 69, 71, 73, 75, 77, 79, 81, 83
68RM35-168-44 . . . .	32	68RM40-202-2P . . .	164, 166, 168, 169, 171, 172
68RM35-168-45 . . . .	10, 34	68RM40-202-3P . . .	164, 165, 166, 167, 168, 170, 173
68RM35-168-46 . . . .	28	68RM45-193 . . . . .	149, 152, 154, 155, 157
68RM35-168-47 . . . .	38	68RM50-1080 . . . . .	84
68RM35-168-48 . . . .	40, 44	68RM55-1028P . . . .	53, 62, 64, 68, 72
68RM35-168-49 . . . .	46	68RM55-1076 . . . . .	163
68RM35-187P . . . . .	162	68RM55-1136P . . . .	62
68RM35-201-3 . . . .	148	68RM55-1142P . . . .	163
68RM35-237 . . . . .	102	68RM55-124P . . . . .	89, 94, 98, 102, 106, 111, 116, 122, 126, 130, 134, 140, 144
68RM35-237-1 . . . .	116, 134	68RM55-209-10 . . . .	4, 14, 16, 24
68RM35-257P . . . . .	61	68RM55-209-14 . . . .	8, 10, 30, 34, 36, 42, 46, 48
68RM35-268 . . . . .	104	68RM55-209-15 . . . .	28
68RM35-433P . . . . .	162	68RM55-209-3 . . . .	12, 18, 20, 22, 32, 40, 44
68RM35-528 . . . . .	85, 87	68RM55-209-8 . . . .	6, 26, 38
68RM35-538 . . . . .	122, 140	68RM55-209-9 . . . .	6
68RM35-548 . . . . .	102, 122, 140	68RM55-210-11 . . . .	4, 14, 16, 24
68RM35-548-01 . . . .	126	68RM55-210-12 . . . .	36
68RM35-554 . . . . .	164	68RM55-210-16 . . . .	28
68RM35-554-1 . . . .	164, 166	68RM55-210-3 . . . .	12, 18, 20, 22, 32, 40, 44
68RM35-558 . . . . .	101, 110, 115, 121, 133, 139	68RM55-210-9 . . . .	26, 38
68RM35-728 . . . . .	102, 111, 116, 122, 126, 134, 140	69ND35-1781 . . . . .	174, 184, 190
68RM35-768 . . . . .	151		
68RM35-828 . . . . .	102		
68RM35-878 . . . . .	164, 166		
68RM35-888 . . . . .	165		
68RM35-888-1 . . . .	165		
68RM35-898 . . . . .	166, 168		
68RM35-898-1 . . . .	166, 168		
68RM40-1188 . . . . .	104, 108, 113, 118, 124, 128, 132, 136, 142, 146		
68RM40-1316 . . . . .	55, 74, 80, 82		
68RM40-1356P . . . .	55, 62, 64, 68, 70, 72		

7

73-50006-00 . . . . .	89, 94, 98, 102, 106, 111, 116, 122, 126, 130, 134, 140, 144
-----------------------	--

8

81-02609-01 . . . . .	126
81-02610-00 . . . . .	126
81-02655-00 . . . . .	144





PART NUMBER INDEX

PART NUMBER	PAGE NUMBER
AC201-241	60, 66
AC201-244	7, 27, 39, 53, 55, 64, 70, 72, 74, 151, 162
AC201-600	53, 55, 57, 60, 64, 66, 70, 72, 74, 78, 80, 84
AC201-634	13, 19, 21, 33
AC201-901	53, 55, 57, 60, 64, 66, 72, 74, 78, 80, 84
AC201-931	53, 55, 57, 60, 64, 66, 72, 74, 78, 80, 84
AC202-209	7, 27, 39, 53, 55, 64, 70, 74
AC202-210	11, 19, 31, 37, 49
AC202-418	49
AC301-204	25, 31, 37, 49
AC301-236-4	149, 151, 152, 153, 154, 155, 156, 157
AC301-244	149, 152, 154, 155, 156, 157
AC302-438	104
AC501-120	162
AC501-146	162
AC501-148	164, 168, 170, 171, 173
AC501-152	166, 168, 172
AC701-201	108, 124, 132, 142
AC701-203	121
AC701-237	25, 31, 37, 49
AC701-301	96
AC701-400	113, 119, 138, 144
AC701-413	108, 151, 156
AC801-460-1	148
AC801-604	53, 62, 64, 70
AC901-580	89, 94, 98, 101, 105, 110, 115, 121, 125, 129, 133, 139, 143

PART NUMBER	PAGE NUMBER
AT31AB101	185, 191
AU02AB202	177, 178, 181, 183
AU02AB242	185
AU11AS241	185, 190

C

CM090-226	212
CM201-968	212
CM983-618	52, 54, 57, 60, 61, 63, 66, 67, 69, 71, 73, 76, 78, 82, 84

D

DD19CA061	89, 91, 94, 96, 98, 100, 102, 106, 111, 116, 122, 126, 130, 134, 140, 144, 145
DE06DA051	149, 152, 154, 155, 157
DE07DA608	94, 122, 140, 188, 199, 201
DE07DA612	94, 188

E

EP23LC090	187, 195, 205, 207
-----------	--------------------

H

HY76TB130	209
-----------	-----

K

KK71GW015	124, 141, 199, 201
KK71JV010	94, 124, 142, 188, 193, 199, 201
KK71JV013	94, 188

# Every driver deserves the best possible vehicle climate with MCC products

MCC provides exceptional performance in mobile climate comfort.



[www.mcc-hvac.com](http://www.mcc-hvac.com)

Member of MCC Group • Certified ISO 9001 and ISO 14001.  
Specifications subject to change without notice. MCC is a registered trademark.