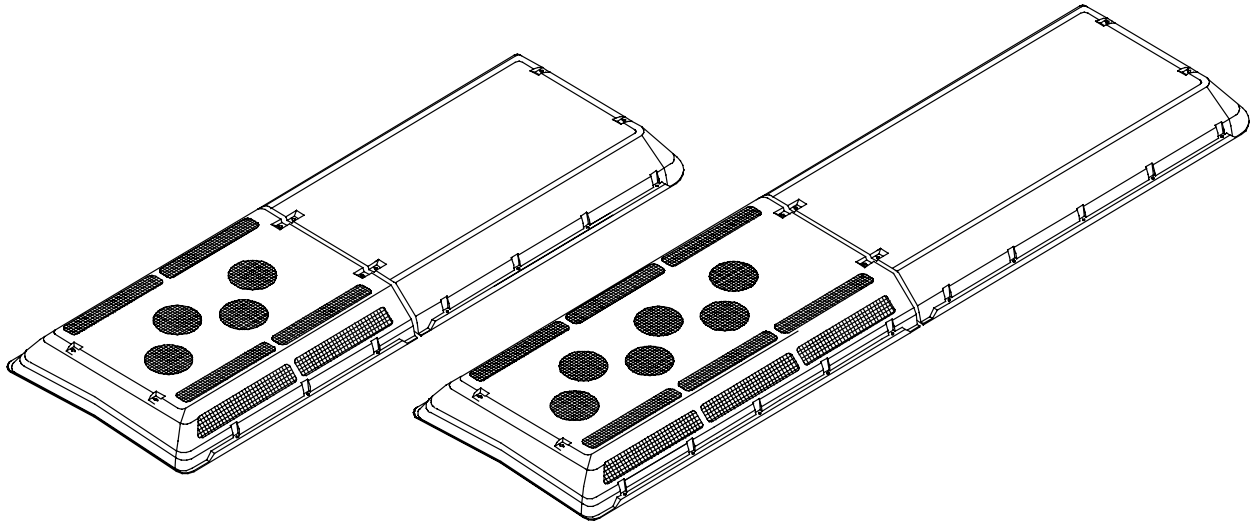




Mobile Climate Control

T-304PL Manual



SERVICE PARTS LIST
for
MODELS AC310 & AC350
With
BT324 Digital Display
or
280P/282P Electronic Thermostat

T-304PL

REV. 06/2012



TABLE OF CONTENTS

TABLE OF CONTENTS	i
1 CONDENSER ASSEMBLY - AC310	2
2 CONDENSER ASSEMBLY - AC350	3
3 EVAPORATOR ASSEMBLY - AC310	4
4 EVAPORATOR ASSEMBLY - AC350	5
5 FRAMES AND COVERS - AC310	6
6 FRAMES AND COVERS - AC350	8
7 COOLING COMPONENTS, EVAPORATOR, DUAL LOOP - AC310 - GEN I	10
8 COOLING COMPONENTS, EVAPORATOR, SINGLE LOOP - AC310 - GEN I	12
9 COOLING COMPONENTS, EVAPORATOR, SINGLE LOOP - AC350 GEN II	14
10 COOLING COMPONENTS-CONDENSER, DUAL LOOP - AC310 - GEN I	16
11 COOLING COMPONENTS, CONDENSER, SINGLE LOOP - AC310 - GEN I	18
12 COOLING COMPONENTS, CONDENSER, SINGLE LOOP - AC350 - GEN II	19
13 RETURN AIR FILTER & FRAME ASSEMBLY (EVAPORATOR)	20
14 HEATING SYSTEM AC310 & AC350 - GEN I & GEN II	21
15 EVAPORATOR HOUSING INSULATION - AC310 - GEN I	22
16 EVAPORATOR BLOWER AND CONDENSER FAN- AC310 - GEN I	23
17 EVAPORATOR BLOWER AND CONDENSER FAN - LOW NOISE - GEN II	24
18 OPERATOR CONTROLS - GEN I & II	25
19 ELECTRICAL OPERATING PARTS CSDD (BT 324) - GEN II	26
20 ELECTRIC CONTROL AND OPERATING PARTS - AC310 & AC350 - GEN II	27
21 ELECTRICAL OPERATING PARTS - AC310 - GEN I	29
22 RELAY PANEL WITH 282P THERMOSTAT - AC310 & AC350	30
23 ELECTRIC CONTROL AND OPERATING PARTS - (MOTOR FAULT BOARD) ...	31
24 COOLING SYSTEM COMPONENTS (Front Evaporator Option)	32
INDEX	Index-1



INTRODUCTION

This parts list identifies service replacement parts for the Mobile Climate Control Model AC310, available in Single or Dual Loop, and the AC350, available in single loop only. These Bus Rooftop Air Conditioning and Heating systems are listed in the following Model Chart.

MODEL CHART AC310

Part Number	GEN.	Voltage	With Heat	Dual Loop	Single Loop
77-62031-00	I	12 VDC	Yes		X
77-62031-01	I	24 VDC	Yes		X
77-62031-02	I	12 VDC	Yes		X
77-62032-01	II	24 VDC	Yes	X	
77-62032-03	II	12 VDC	Yes	X	
77-62032-04	II	12 VDC	Yes	X	

MODEL CHART AC350 (SINGLE LOOP)

Part Number	GEN.	Voltage	With Heat	Controller	With Cover
77-62041-01	I	24 VDC	Yes	Manual	Yes
77-62041-02	I	24 VDC	Yes	Manual	No
77-62041-04	II	24 VDC	No	BT324	No
77-62041-05	II	24 VDC	No	BT324	Yes
77-62041-06	II	24 VDC	Yes	BT324	Yes
77-62041-07	II	24 VDC	Yes	BT324	No

ORDERING INSTRUCTIONS

All orders and inquiries for parts must include: Unit Serial Number, Part No., description of part as shown on list and quantity required. Parts can be ordered through the following website:

www.mcc-hvac.com

GENERAL NOTES

1. This catalog contains those items most commonly required for replacement purposes. If parts other than those cataloged are required, please provide the model number and serial number of the unit on which the parts are to be used and a complete description including references to items which are cataloged.
2. The replacement parts listed in this catalog are MCC “Factory-Authorized Parts” and, as a result of “standardization,” may not be identical to the original part furnished on the equipment.
3. To find replacement parts , determine major group in which replacement part is located. Consult table of contents for the appropriate page for the illustrated breakdown of the replacement part. The following letter designations are used to classify parts throughout this list.

A/R *As Required*

NSA *Non-Stock Assembly* - Order components listed under the assembly.

NSS *Not Sold Separately* - Order next higher assembly or kit.

P-- *Suffix P--* added to part number means part is available in packaged quantity only.

PL *Purchase Locally.*

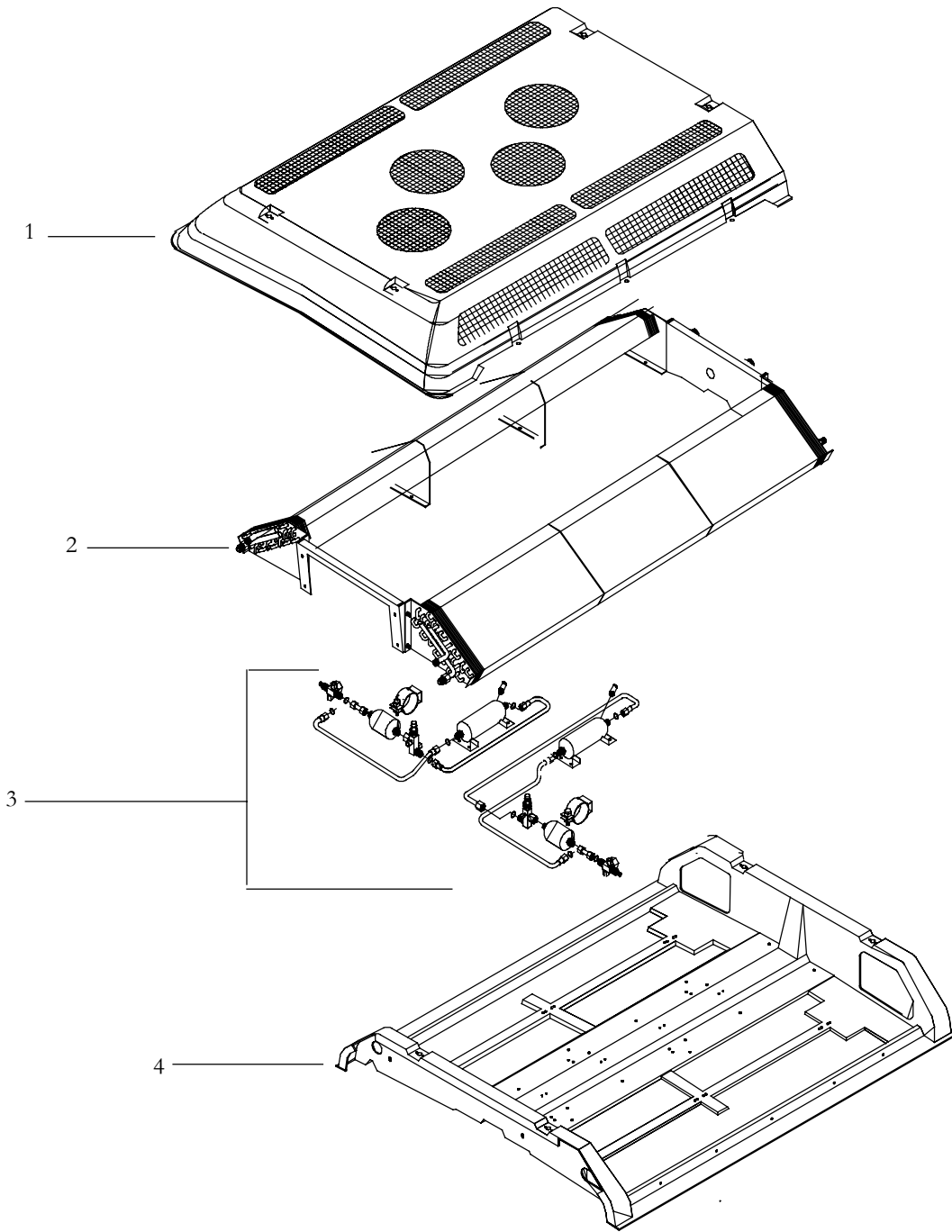
SST *Stainless Steel* - 300 Series unless otherwise specified.

SV *Suffix SV* added to part number designates service replacement part.

NS *Not Shown* on illustration.



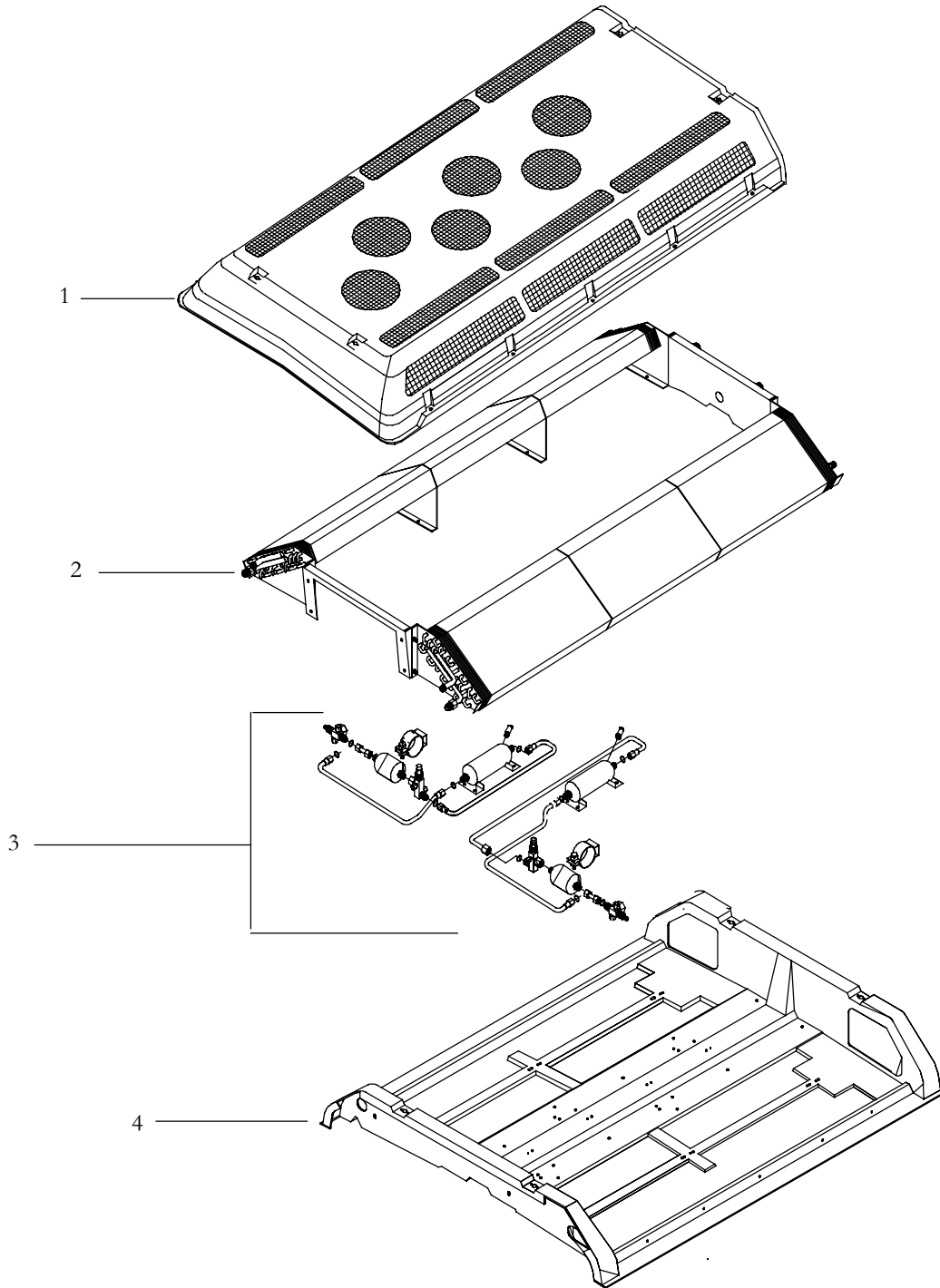
1 CONDENSER ASSEMBLY - AC310



Item	Description
1	Cover (Refer to Section 5)
2	Cooling System (Refer to Sections 10 & 11)
3	Tubing Assemblies, (Refer to Section 10 & 11)
4	Frame (Refer to Section 5)



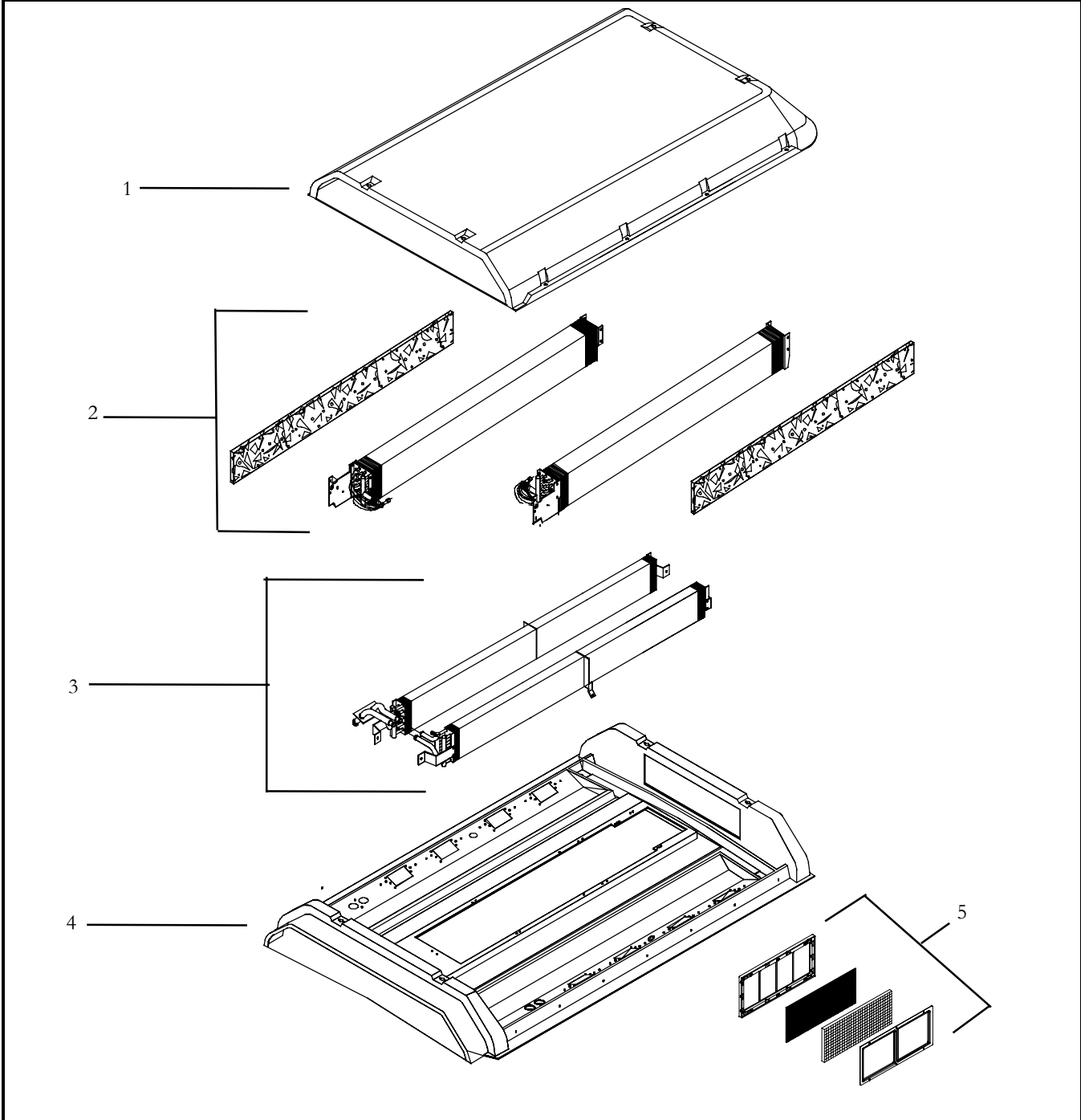
2 CONDENSER ASSEMBLY - AC350



Item	Description
1	Cover (Refer to Section 6)
2	Cooling System (Refer to Sections 10 & 11)
3	Tubing Assemblies, (Refer to Section 10 & 11)
4	Frame (Refer to Section 6)



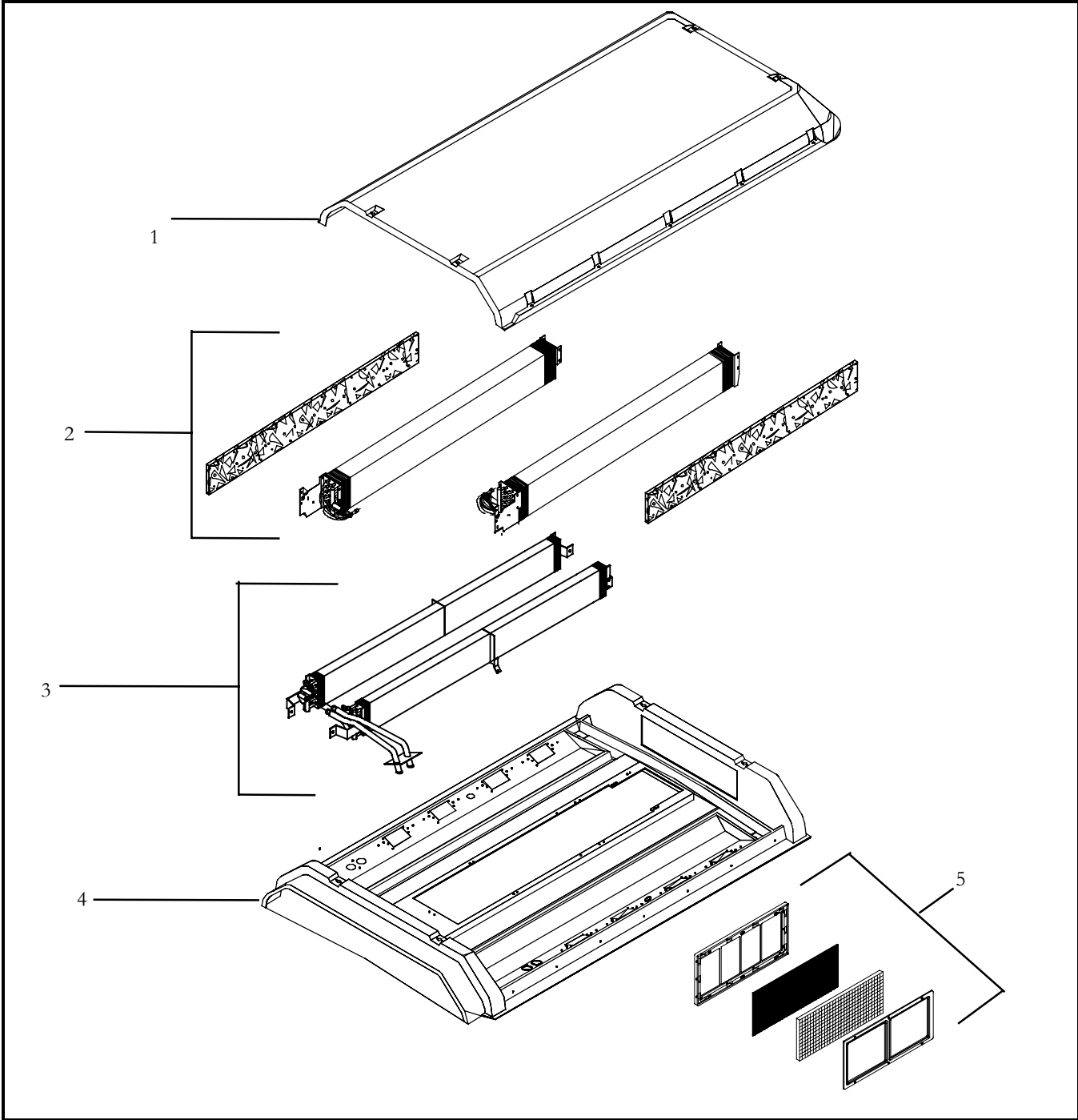
3 EVAPORATOR ASSEMBLY - AC310



Item	Description
1	Cover (Refer to Section 5)
2	Coils and Filters (Refer to Sections 7 & 5)
3	Heat Coils (Refer to Section 14)
4	Frame (Refer to Section 5)
5	Return Air Filter Assembly (Refer to Section 13)



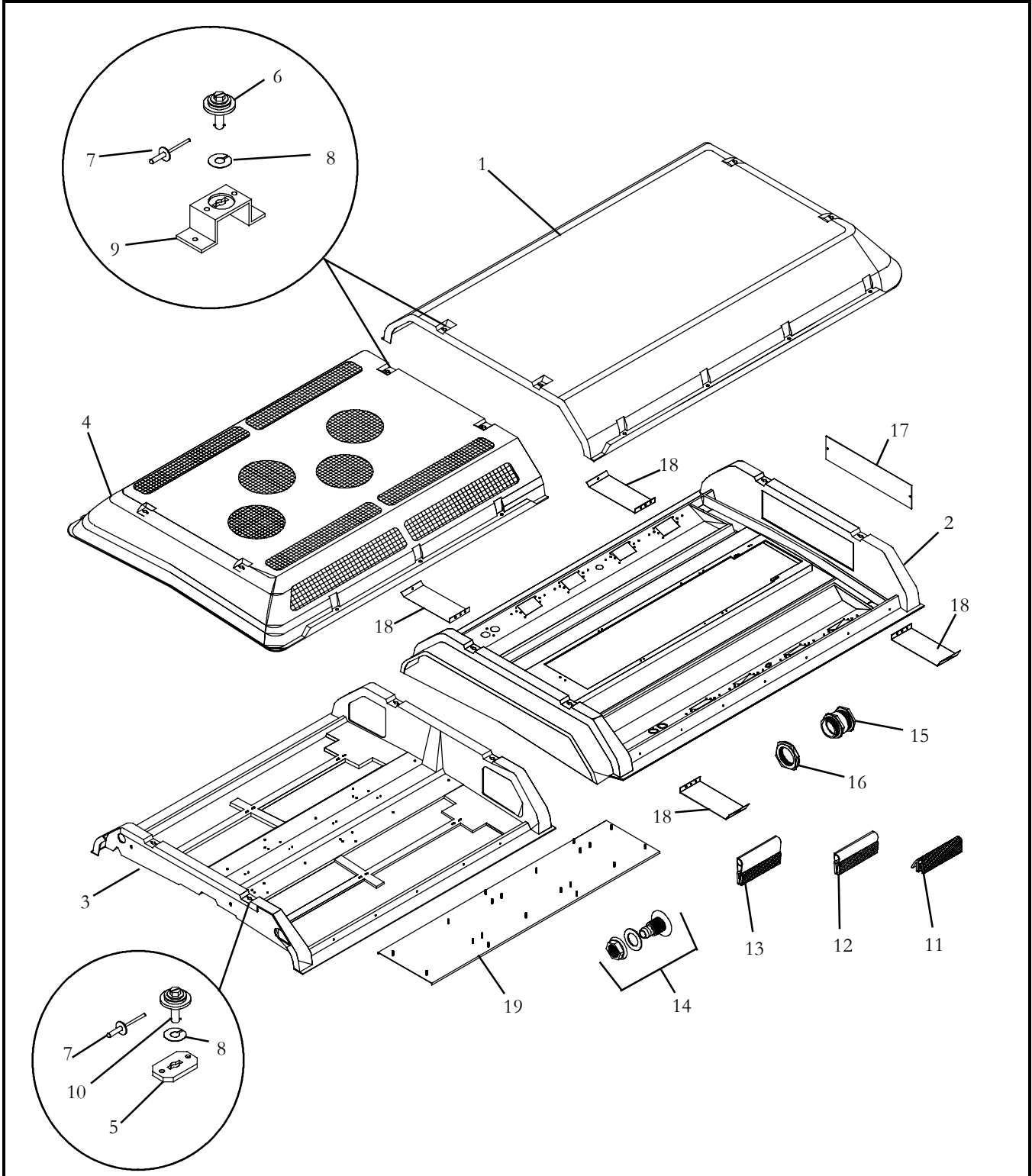
4 EVAPORATOR ASSEMBLY - AC350



Item	Description
1	Cover (Refer to Section 9)
2	Coils and Filters (Refer to Sections 9)
3	Heat Coils (Refer to Section 14)
4	Frame (Refer to Section 9)
5	Return Air Filter Assembly (Refer to Section 13)



5 FRAMES AND COVERS - AC310

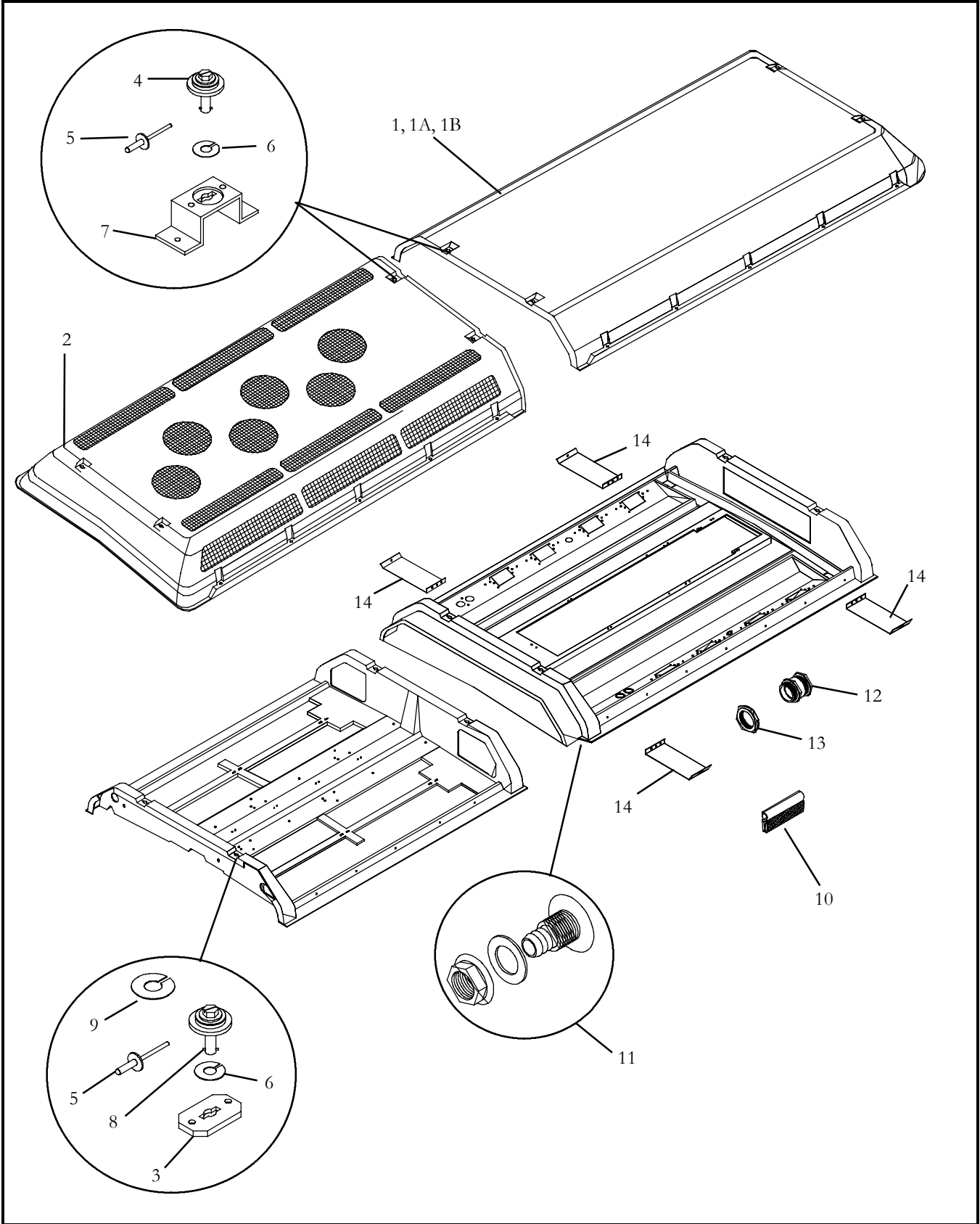




5 FRAMES AND COVERS - AC310 - Continued:			
Item	Part Number	Description	Qty
1	75-25-05-301	Cover, Evaporator	1
2	75-25-05-300	Frame, Evaporator	1
3	75-25-05-115	Frame, Condenser	1
4	75-25-05-116	Cover, Condenser	1
5	34-62016-00	Lock, Base	8
6	32-24-01-013	Bolt, Locking	14
7	32-10-10-500	Rivet	16
8	32-24-01-016	Washer, Retaining	22
9	32-24-01-039	Lock, Base	14
10	32-24-01-034	Bolt, Locking	8
11	21-03-51-010	Gasket, (Profiled Joint) X 40 Feet Long	1
12	21-03-51-025	Gasket, (Profiled Joint) X 33 Feet Long	1
13	21-03-51-003	Gasket, (Profiled Joint) X 33 Feet Long	1
14	22-25-05-001	Connector Assembly, Water Drain	4
15	26-27-03-015	Bushing, Cable (GU PG36)	1
	26-27-03-013	Bushing, Cable (GU PG29)	1
	26-27-03-011	Bushing, Cable (GU PG21)	1
16	26-27-07-008	Nut (For Cable Bushing PG36)	1
	26-27-07-007	Nut (For Cable Bushing PG29)	1
	26-27-07-006	Nut (For Cable Bushing PG21)	1
17	15-03-10-011	Cover, Fresh Air	1
18	15-07-16-027	Cover, Drain Pan	4
19	10-55-01-027	Bracket, Condenser Motor	1



6 FRAMES AND COVERS - AC350

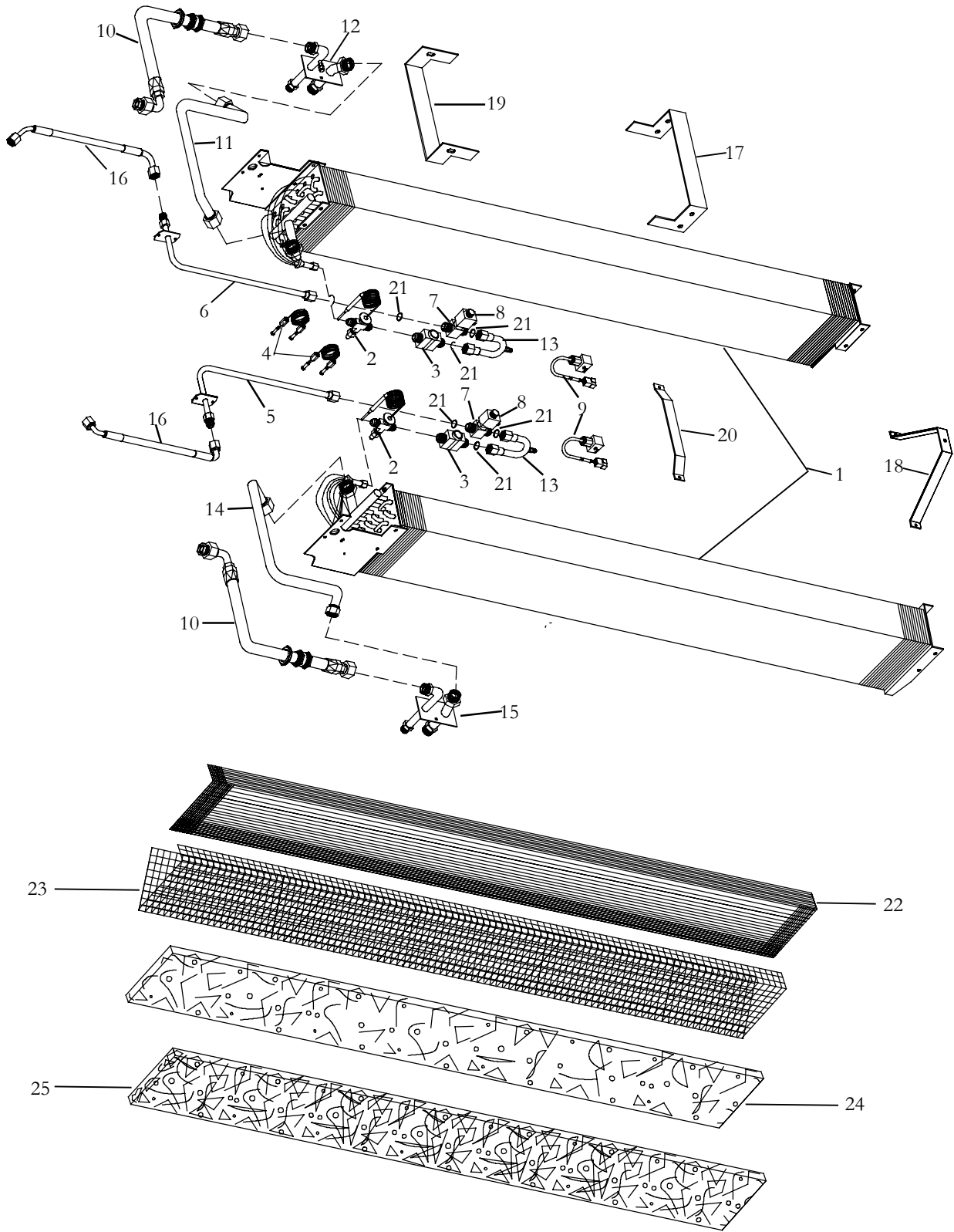




6 FRAMES AND COVERS - AC350 - Continued:			
Item	Part Number	Description	Qty
1	75-47-05-328-00	Cover, Evaporator (For 77-62041-01 & -06)	1
1A	15-03-01-709	...Insulation, Evaporator Cover	1
1B	15-03-01-927	...Tape, Insulation	2
2	75-47-05-431	Cover Condenser (For 77-62041-01 & -06)	1
3	34-62016-00	Lock, Base	A/R
4	32-24-01-013	Bolt, Locking	A/R
5	32-10-10-500	Rivet	A/R
6	32-24-01-016	Washer, Retaining	A/R
7	32-24-01-039	Lock, Base	A/R
8	32-24-01-034	Bolt, Locking	A/R
9	32-03-03-013	Washer	A/R
10	21-03-51-025	Gasket, (Profiled Joint) X 33 Feet Long	1
11	22-25-05-001	Connector Assembly, Water Drain	4
12	26-27-03-015	Bushing, Cable (GU PG36)	2
	26-27-03-013	Bushing, Cable (GU PG29)	1
13	26-27-07-008	Nut (For Cable Bushing PG36)	2
	26-27-07-007	Nut (For Cable Bushing PG29)	1
14	15-07-16-027	Cover, Drain Pan	4



7 COOLING SYSTEM COMPONENTS, EVAPORATOR, DUAL LOOP - AC310 - GEN I

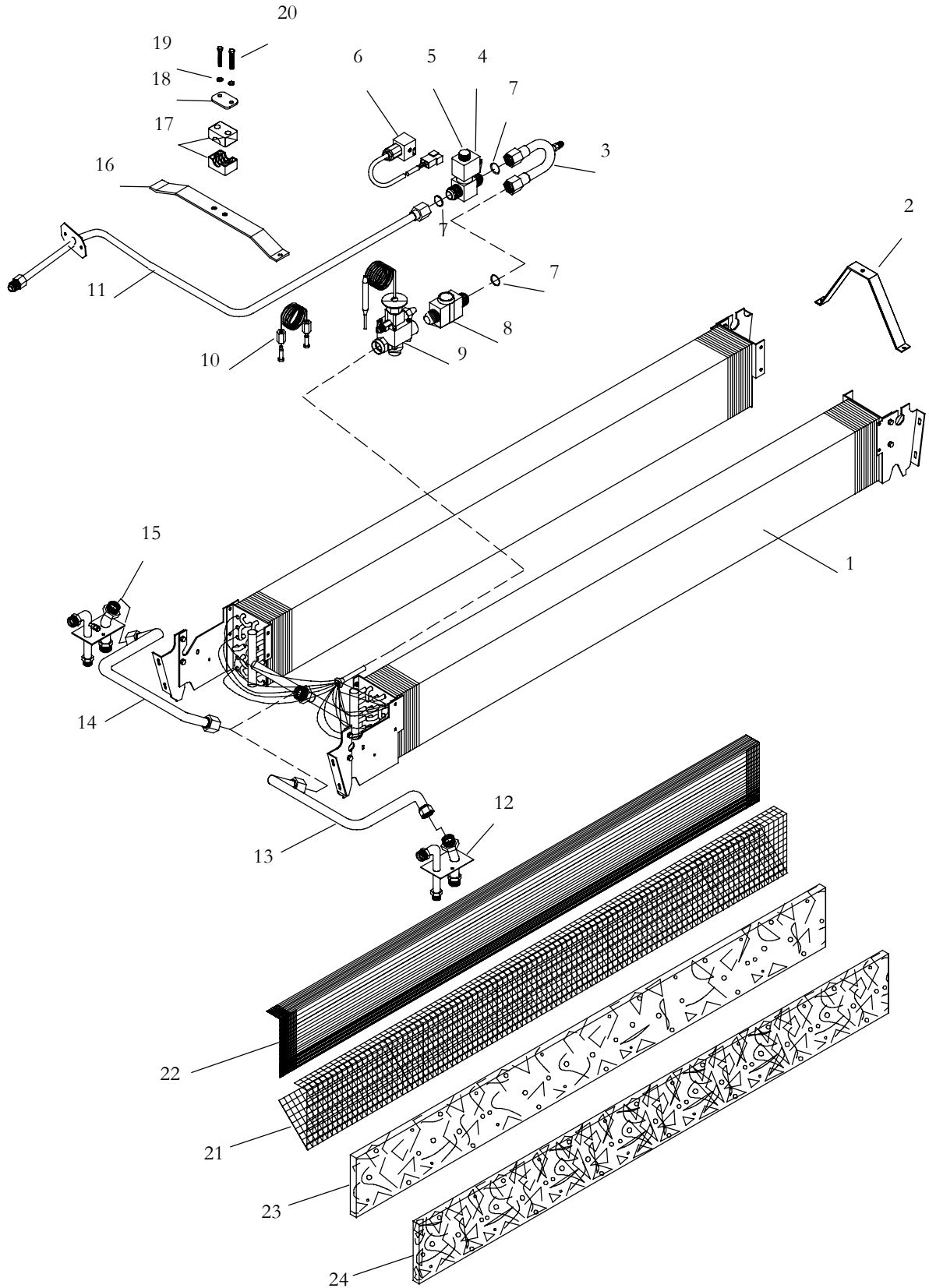




7 COOLING SYSTEM COMPONENTS, EVAPORATOR, DUAL LOOP - AC310 - GEN I			
Item	Part Number	Description	Qty
1	75-01-01-073	Coil Assembly, Evaporator, (Includes 1-Curbside and 1-Roadside Coil)	1
2	24-04-01-173	Expansion Valve, (R134a)	2
3	24-07-10-018	Sightglass	2
4	24-04-75-014	Equalizer Line	2
5	10-60-03-098	Tube Assembly, Liquid Line to Solenoid Valve	1
6	10-60-03-066	Tube Assembly, Liquid Line to Solenoid Valve	1
7	22-05-12-018	Valve, Solenoid, 12 Volt, Includes:	2
8	22-05-13-007Coil, Magnetic, 12 Volt	2
9	22-05-13-100Connector, Harness	2
10	10-60-21-018	Tube Assembly, Discharge	2
11	10-60-01-031	Tube Assembly, Suction	1
12	10-60-01-086	Connection Assembly, Right	1
13	10-60-03-068	Tube Assembly, Liquid Line (Solenoid Valve to Sight Glass)	2
14	10-60-01-030	Tube Assembly, Suction Line, Left	1
15	10-60-01-087	Connection Assembly, Left	1
16	10-60-21-048	Tube Assembly, Liquid Line	2
17	10-19-03-013	Plate, Upper Support	1
18	10-19-03-015	Plate. Middle Support	1
19	10-19-04-014	Plate, Lower Support	1
20	15-04-16-024	Plate, Support, Expansion Valve	1
21	32-23-26-236	Gasket, 7/8 inch (Flare Washer)	6
22	21-08-07-007	Filter Mat, PPI, AC310	2
23	20-08-09-020	Support, Filter	2
24	21-08-06-014	Filter Mat, White, (Evaporator Coil)	2
25	21-08-03-011	Filter Mat, Black, (Evaporator Coil - Without Heating)	2



8 COOLING SYSTEM COMPONENTS, EVAPORATOR, SINGLE LOOP - AC310 - GEN I

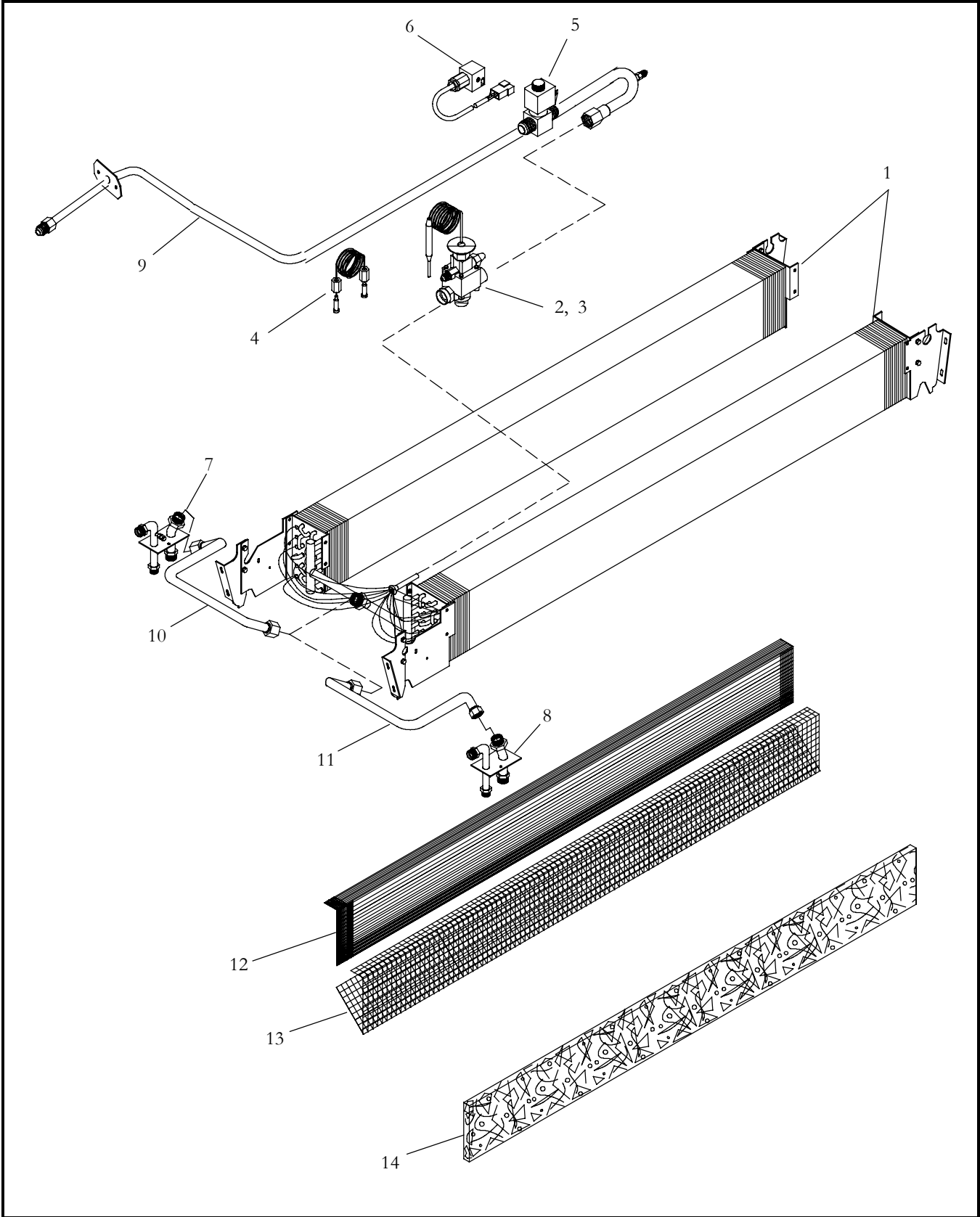




8 COOLING SYSTEM COMPONENTS, EVAPORATOR, SINGLE LOOP - AC310 - GEN I			
Item	Part Number	Description	Qty
1	75-01-01-045	Coil Assembly, Evaporator, (Includes 1-Curbside and 1-Roadside Coil)	1
2	10-19-03-015	Plate. Middle Support	1
3	10-60-03-056	Tube Assembly, Liquid Line (Solenoid Valve to Sight Glass)	1
4	22-05-12-018	Valve, Solenoid, 12 Volt, Includes:	1
5	22-05-13-007Coil, Magnetic, 12 Volt	1
6	22-05-13-100Connector, Harness	1
7	32-23-26-236	Gasket, 7/8 inch (Flare Washer)	3
8	24-07-10-018	Sightglass	1
9	24-04-01-105	Expansion Valve, (R134a)	1
10	24-04-75-014	Equalizer Line	1
11	10-60-03-055	Tube Assembly, Liquid Line to Solenoid Valve	1
12	10-60-01-017	Connection Assembly, Left	1
13	10-60-01-019	Tube Assembly, Suction Line, Left	1
14	10-60-01-018	Tube Assembly, Suction Line, Right	1
15	10-60-01-016	Connection Assembly, Right	1
16	15-04-16-024	Plate, Support, Expansion Valve	1
17	32-15-30-852	Clamp, Tube	2
18	32-15-30-935	Cover Plate	1
19	32-04-01-012	Washer, Spring, J6, 4	2
20	32-01-02-049	Bolt, M6 X 40	2
21	20-08-09-020	Support, Filter	2
22	21-08-07-007	Filter Mat, PPI, AC30	2
23	21-08-06-014	Filter Mat, White, (Evaporator Coil)	2
24	21-08-03-011	Filter Matt, Black, (Evaporator Coil - Without Heating)	2



9 COOLING SYSTEM COMPONENTS, EVAPORATOR, SINGLE LOOP - AC350 GEN II

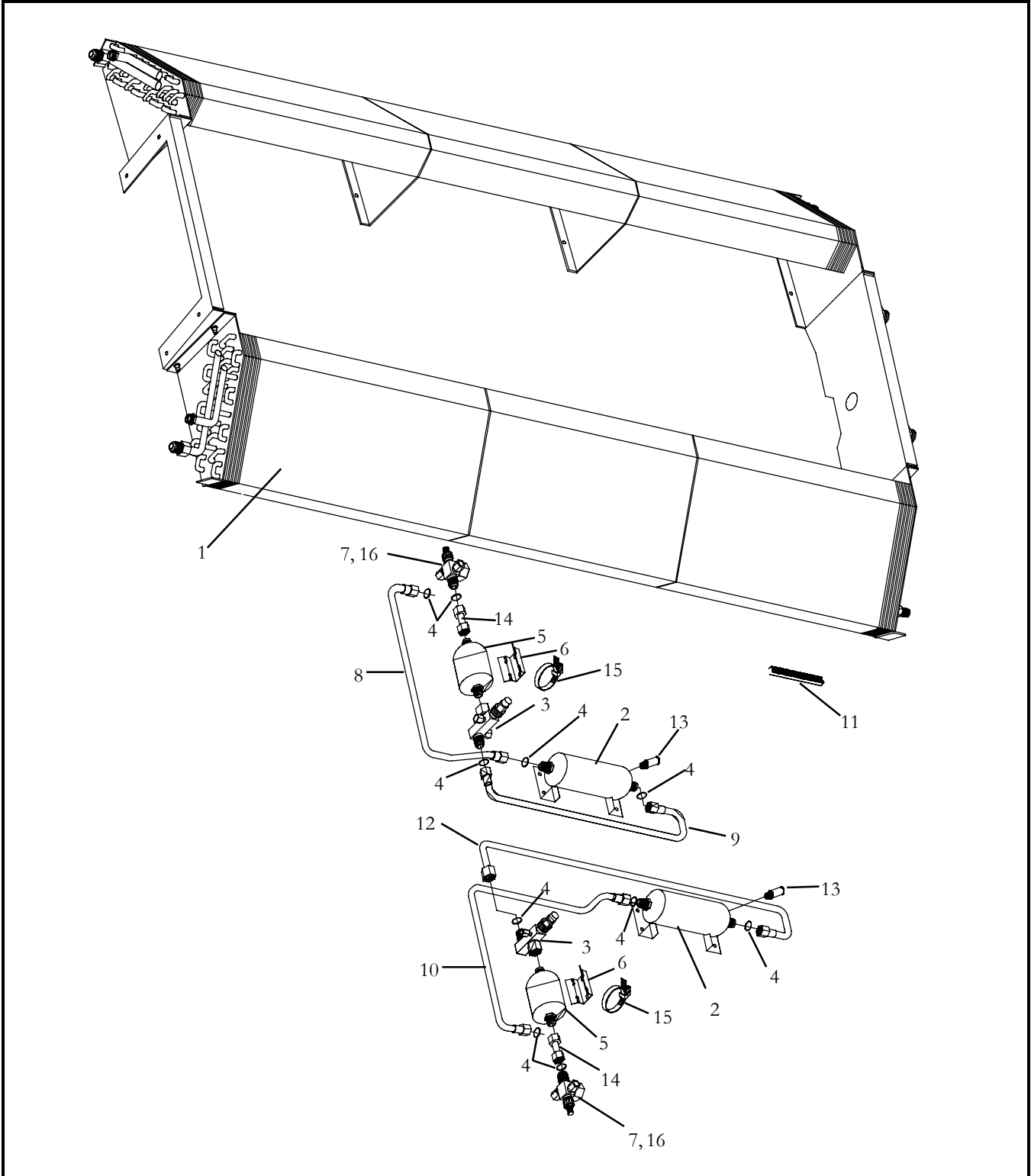




9 COOLING SYSTEM COMPONENTS, EVAPORATOR, SINGLE LOOP - AC350/AC310 - GEN II			
Item	Part Number	Description	Qty
1	75-01-01-184	Coil Assembly, Evaporator, ORFS, (Left & Right Coil Assemblies)	1
2	24-04-01-180	Expansion Valve, (R134a)	1
3	42-00243-11	Gasket, ORFS For Expansion Valve	1
4	24-04-75-014	Equalizer Line	1
5	22-05-13-013	Coil, Magnetic, 27 Volt	1
6	78-07-01-003	Connector, Harness	1
7	10-60-01-016	Connection Assembly, Right	1
8	10-60-01-017	Connection Assembly, Left	1
9	10-60-03-117	Liquid Line ORFS	1
10	10-60-01-018	Suction Line, Right	1
11	10-60-01-019	Suction Line, Left	1
12	21-08-07-008	Filter Mat, PPI, AC310	2
13	20-08-09-021	Filter, Carrier	2
14	21-08-15-012	Filter Matt, Black, (Evaporator Coil - Without Heating)	2



10 COOLING SYSTEM COMPONENTS-CONDENSER, DUAL LOOP - AC310 - GEN I

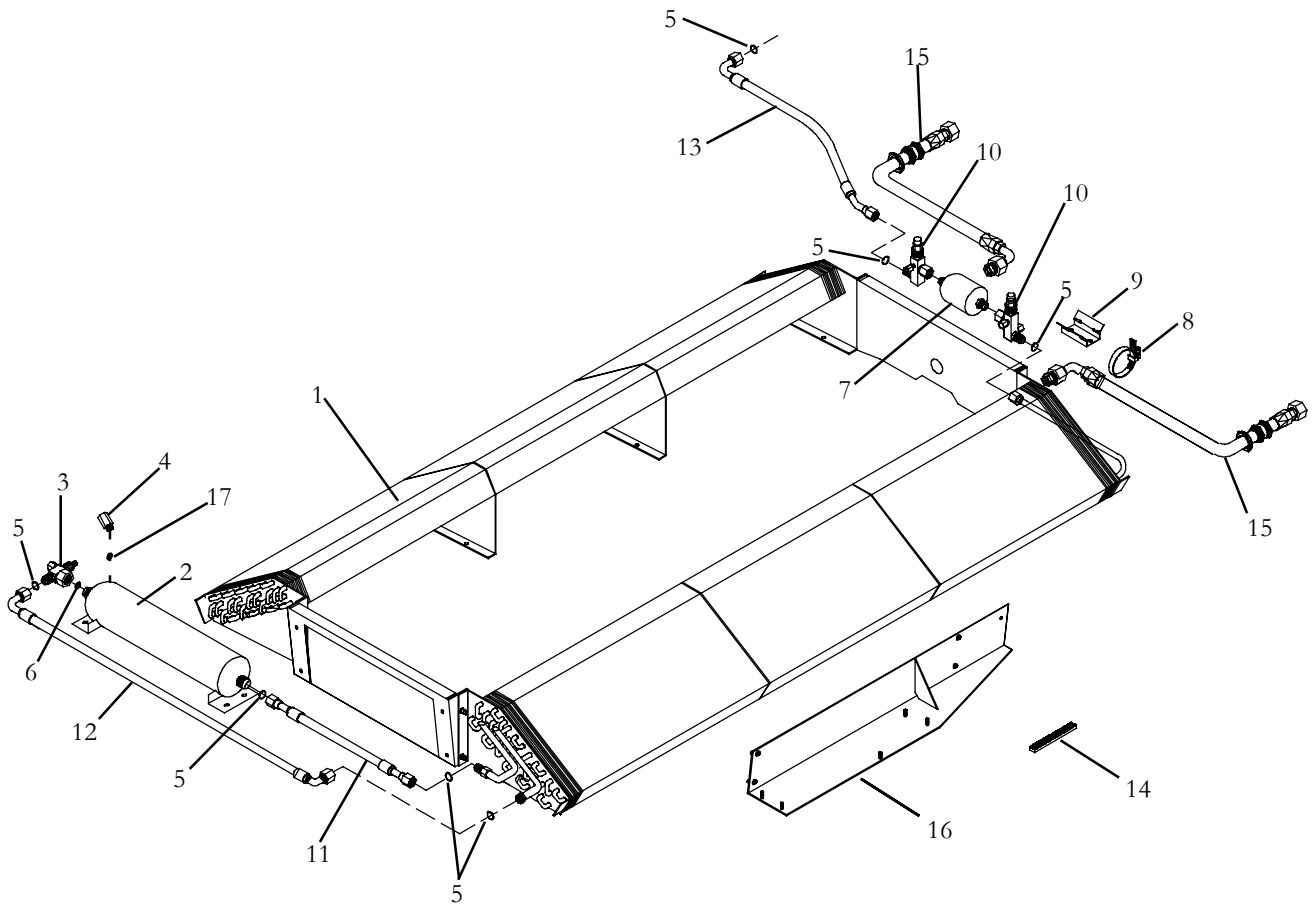




10 COOLING SYSTEM COMPONENTS, CONDENSER, DUAL LOOP - AC310 - GEN I			
Item	Part Number	Description	Qty
1	24-02-11-153	Condenser Coil Assembly, O-Ring Ftg (Includes 1 Road & 1 Curbside Coil)	1
	24-02-11-151	Condenser Coil Assembly, Flare Ftg. (Includes 1 Road & 1 Curbside Coil)	1
2	10-63-01-013	Receiver Tank	2
3	22-05-15-100	Valve, Shut-Off	2
4	32-23-26-236	Gasket, 7/8 inch (Flare Washer)	10
	32-23-10-001	O-Ring, 1 Inch, Teflon	10
5	24-06-01-026	Drier, Filter	2
6	32-15-11-005	Clamp, Filter Drier	4
7	22-05-15-305	Valve, Shut-Off	2
8	10-60-03-026	Tube Assembly, Liquid Line, Receiver Inlet	1
9	10-60-03-027	Tube Assembly, Liquid Line, Receiver Outlet	1
10	10-60-03-028	Tube Assembly, Liquid Line, Receiver Inlet	1
11	21-10-01-015	Tape, Foam Rubber 6mm X 12mm X 10 Meters Long	1
12	10-60-03-029	Tube Assembly, Liquid Line, Receiver Outlet	1
13	24-04-02-005	Valve, Pressure Relief	2
14	10-60-71-003	Tube Assembly, Filter Drier Outlet	2
15	15-07-12-002	Bracket, Filter Drier	2
16	17-31205-00	Ring, Teflon (White)	2



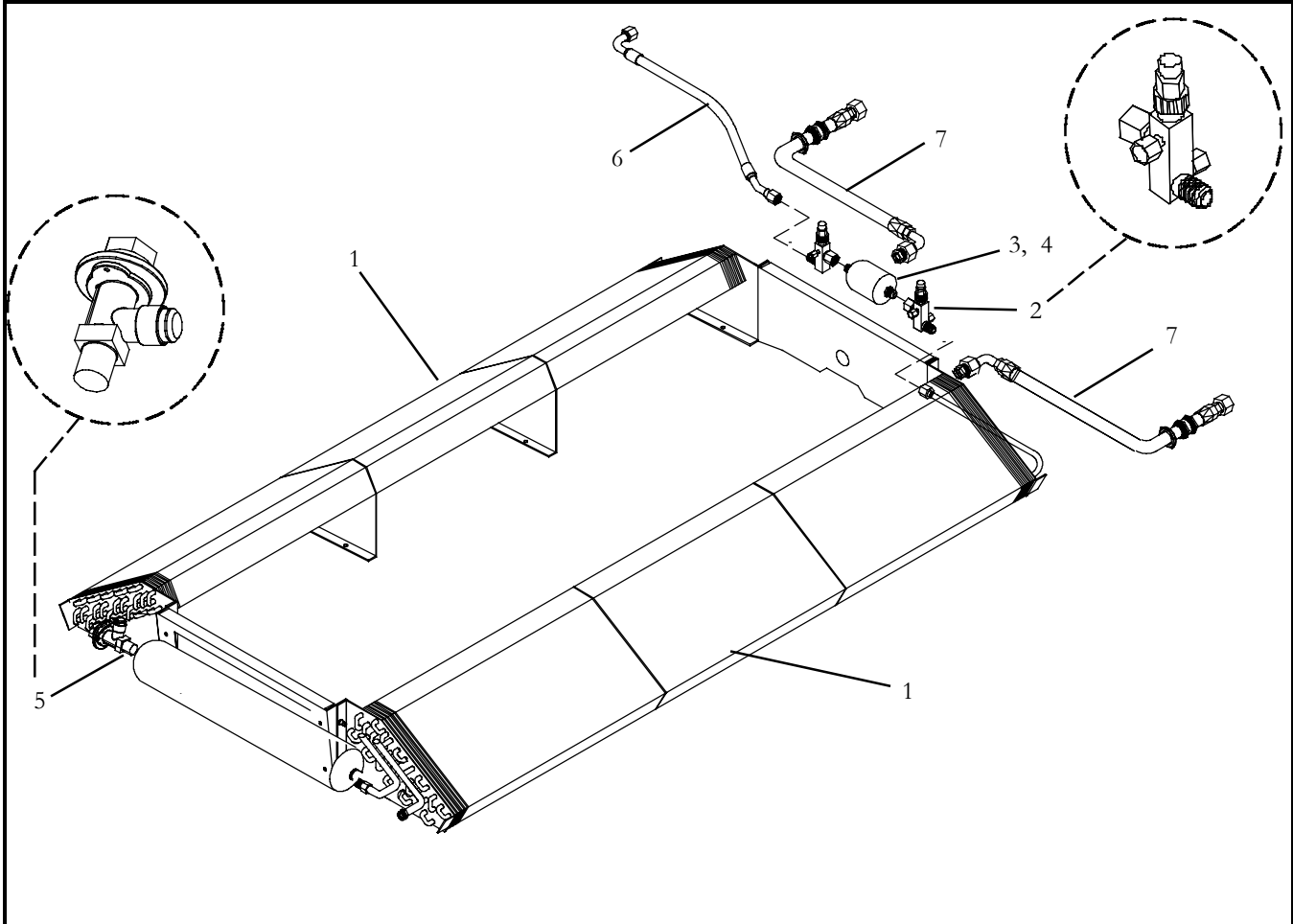
11 COOLING SYSTEM COMPONENTS, CONDENSER, SINGLE LOOP - AC310 - GEN I



Item	Part Number	Description	Qty
1	24-02-11-201	Condenser Coil Assembly, (Includes 1 Roadside and 1 Curbside Coil)	1
2	10-63-01-010	Receiver Tank	1
3	22-05-15-305	Valve, Shut-Off, Receiver	1
4	24-04-02-005	Valve, Safety	1
5	32-23-26-236	Gasket, 7/8 inch (Flare Washer)	7
6	17-31205-00	Ring, Teflon (White)	1
7	24-06-01-026	Drier, Filter	1
8	32-15-11-005	Clamp, Filter Drier	2
9	15-07-12-001	Bracket, Filter Drier	1
10	22-05-15-100	Valve, Shut-Off, Filter Drier	2
11	10-60-22-023	Tube Assembly, Liquid Line, Receiver Inlet	1
12	10-60-22-033	Tube Assembly, Liquid Line, Receiver Outlet	1
13	10-60-22-035	Tube Assembly, Filter Drier Outlet	1
14	21-10-01-015	Tape, Foam Rubber, 6mm X 12mm X 10 Meters Long	1
15	10-60-21-018	Tube Assembly, Discharge Line, Left or Right	2
16	10-55-05-004	Plate, Support	1
17	32-23-05-069	O-Ring	1



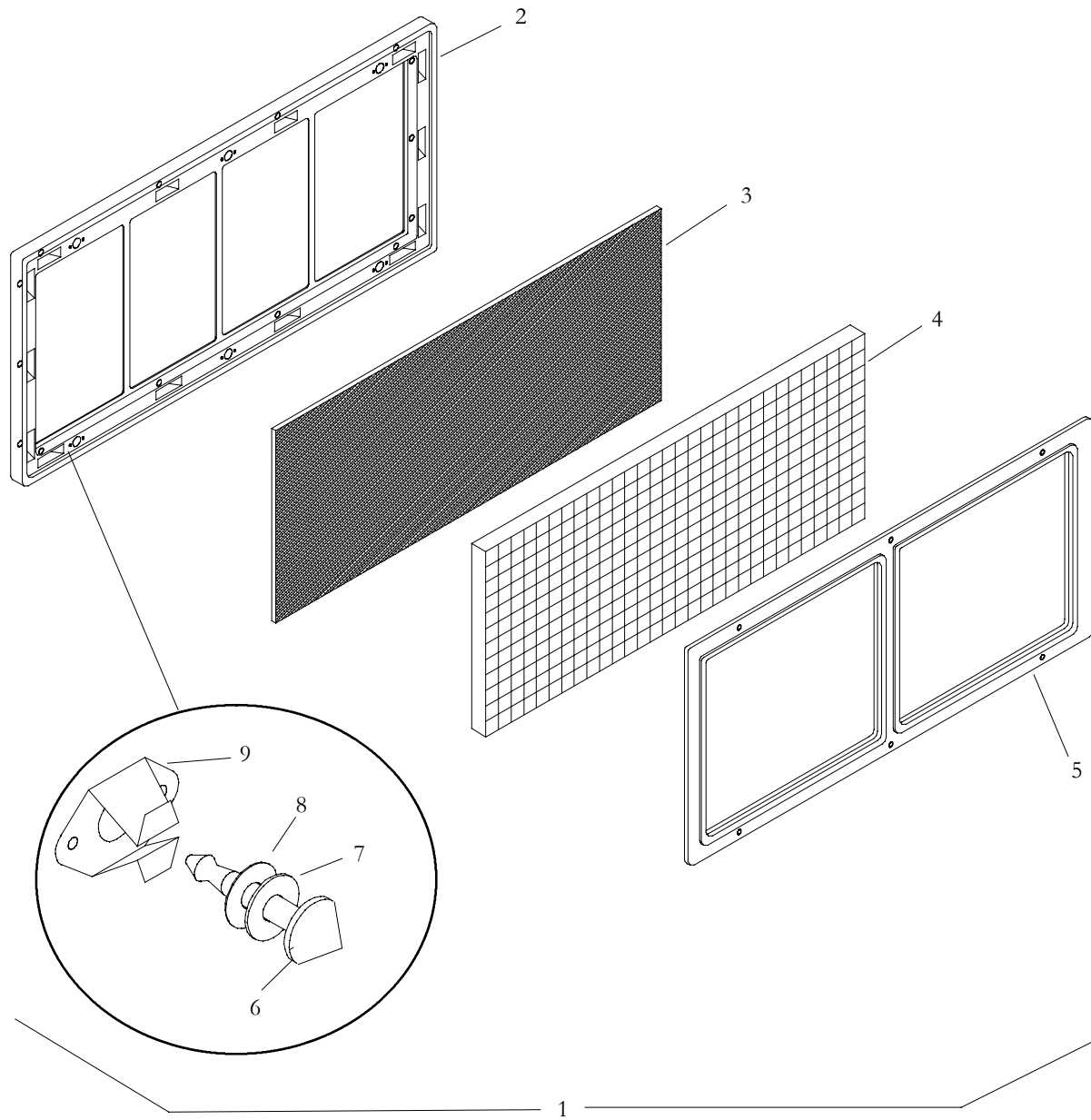
12 COOLING SYSTEM COMPONENTS, CONDENSER, SINGLE LOOP - AC350 - GEN II



Item	Part Number	Description	Qty
1	75-65-04-004	Condenser Coil Assembly, (Both Coils With Receiver Tank)	1
2	22-05-15-310	Valve, Shut-Off, Filter Drier, 3/4-16 x 7/8-14	2
3	14-00326-05	Drier, Filter, ORFS, 1/2 ORS	1
4	42-00243-04	O-Ring For Filter Drier ORS	2
5	14-00345-00	Valve, Pressure Relief (Regulating Spring)	1
6	10-60-22-060	Liquid Line, Filter Drier Outlet	1
7	10-60-21-018	Discharge Line, Right or Left	2



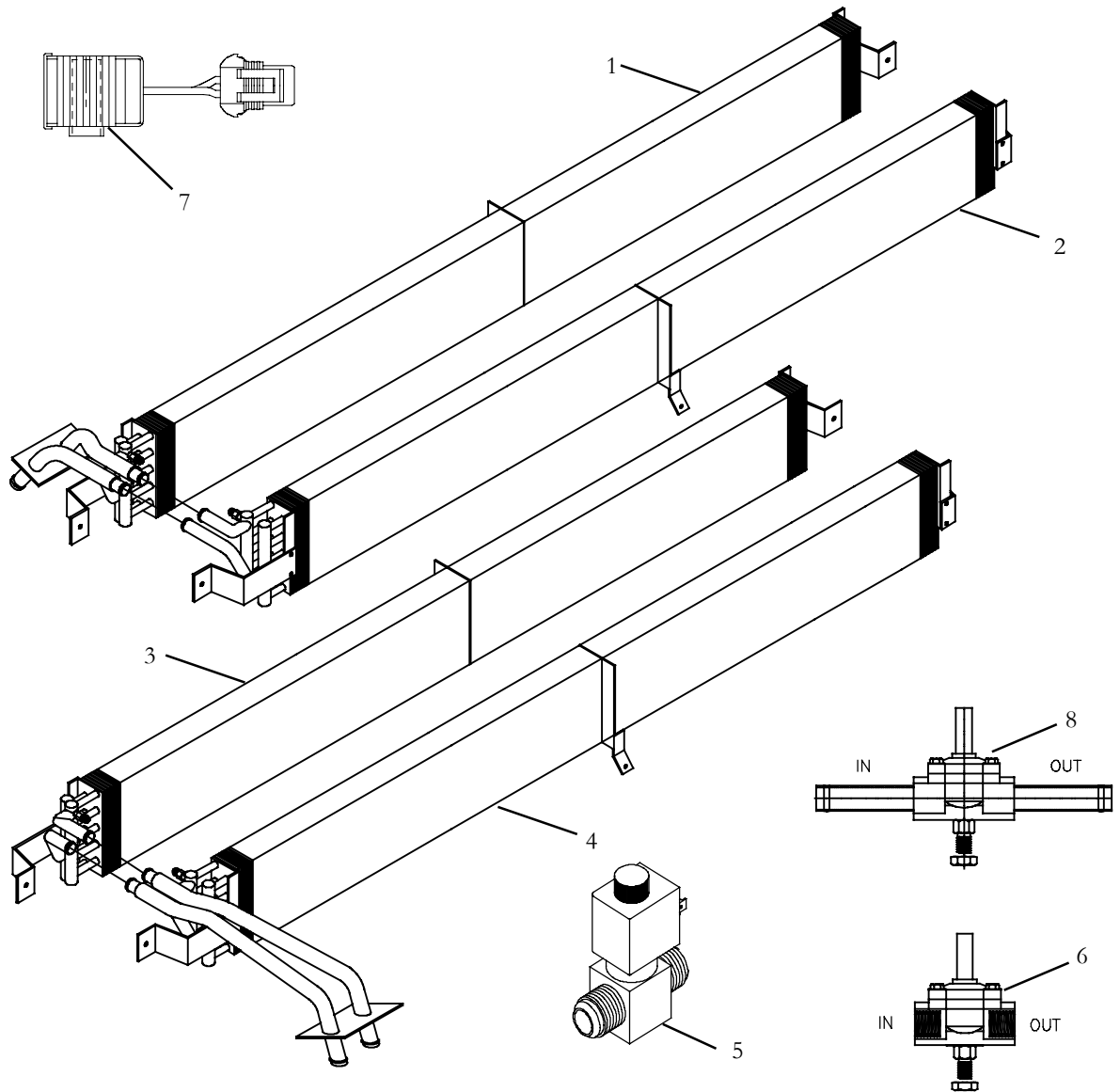
13 RETURN AIR FILTER & FRAME ASSEMBLY (EVAPORATOR)



Item	Part Number	Description	Qty
1	75-19-01-030	Return Air Filter and Frame Assembly - AC310 & AC350 - Includes:	2
2	10-85-03-043Frame, Composite	1
3	21-08-06-019Filter Mat, Return Air	1
4	10-85-03-047Grille, Diffuser, White	1
5	10-85-03-044Cover, Frame	1
6	32-24-01-058Bolt, Locking, (1/4 Turn)	6
7	32-24-01-060Washer, Thrust , Steel	6
8	32-24-01-059Washer, Retaining, Mylar	6
9	32-15-45-002Clip, Retaining	12



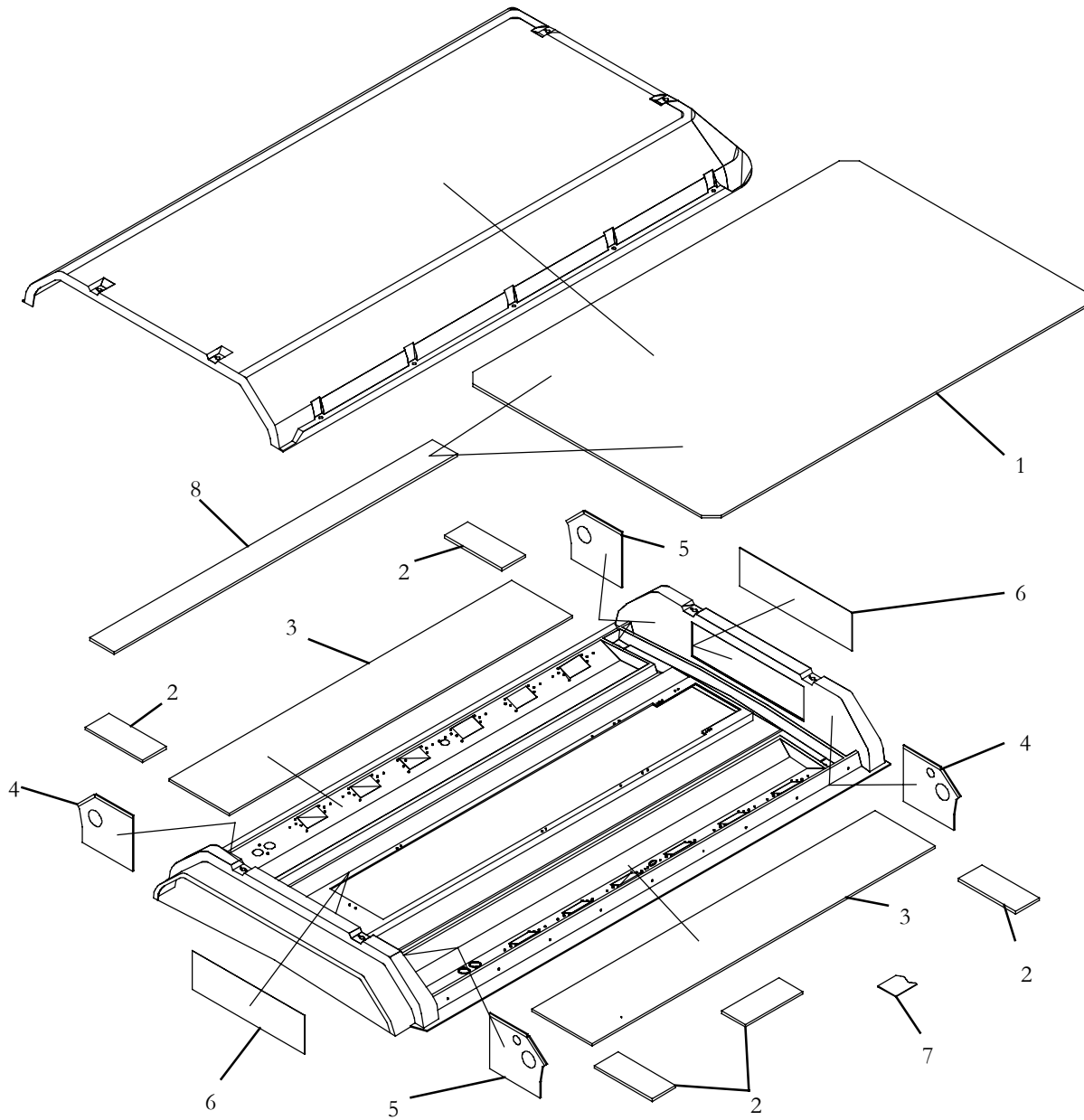
14 HEATING SYSTEM AC310 & AC350 - GEN I & GEN II



Item	Part Number	Description	Qty
1	24-11-10-066	Heater Coil, Right, AC310	1
2	24-11-10-062	Heater Coil, Left, AC310	1
3	24-11-10-064	Heater Coil, Right, AC350	1
4	24-11-10-069	Heater Coil, Left, AC350	1
5	CM258-514	Valve, Solenoid, 3/4 Inch NPT Female, With 24 VDC Coil - Includes:	1
7	14-00299-00Valve , Solenoid, 3/4 Inch NPT Female, Without Coil	1
	14-01110-02Coil, Solenoid, 24 VDC With Connector	1
	14-01110-01	Coil, Solenoid, 12 VDC With Connector (Reference)	1
8	14-00299-01	Valve , Solenoid, 3/4 Inch O.D. Beaded, Without Coil	1



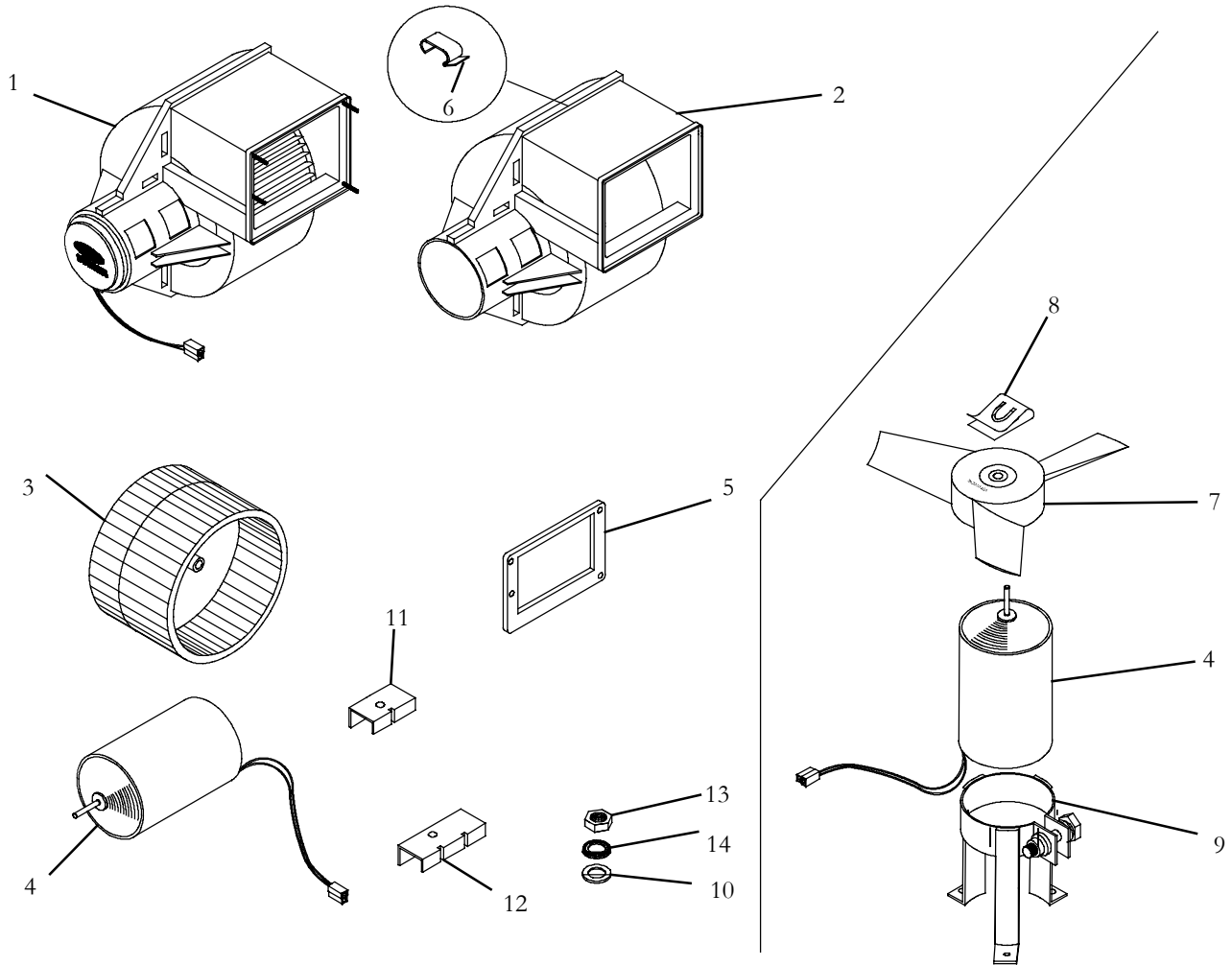
15 EVAPORATOR HOUSING INSULATION - AC310 - GEN I



Item	Part Number	Description	Qty
1	15-03-01-703	Insulation, Cover	1
2	15-03-01-708	Insulation, Drain Water	8
3	15-03-01-704	Insulation, Bottom Housing	2
4	15-03-01-706	Insulation, Right	2
5	15-03-01-707	Insulation, Left	2
6	15-03-01-717	Insulation, Middle	2
7	21-10-02-002	Tape, Foam Rubber , 50mm X 2mm X 2 Meters Long	1
8	15-02-01-926	Insulation, Cover	2



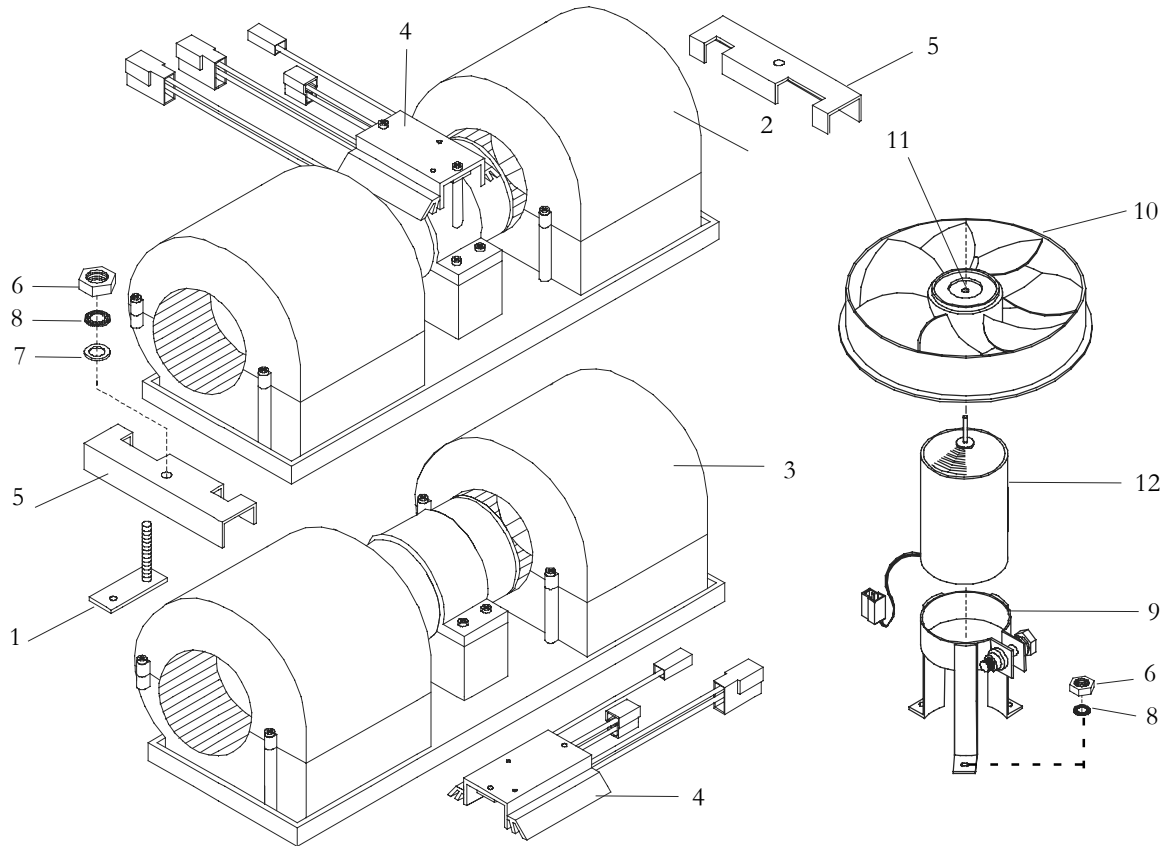
16 EVAPORATOR BLOWER AND CONDENSER FAN- AC310 - GEN I



Item	Part Number	Description	Qty
1	28-20-01-203	Blower Assembly, 12 VDC	8
	28-20-01-003	Blower Assembly, 24 VDC	8
2	28-22-05-003	Blower Housing	8
3	28-22-01-003	Blower Wheel	8
4	28-02-05-013	Motor, Electric, 12 VDC	12
	28-02-10-015	Motor, Electric, 24 VDC	12
5	28-22-07-050	Gasket, Motor	8
6	28-22-07-001	Clamp	64
7	28-23-01-024	Fan Blade	4
8	34-62017-00	Clamp, Fan	4
9	86-62216-00	Bracket, Motor Support	4
10	32-03-03-007	Washer, B6-4	4
11	10-37-03-023	Bracket, Blower Mounting	8
12	10-37-03-024	Bracket, Blower Mounting	8
13	32-02-14-011	Nut, M6	16
14	32-04-01-012	Washer, Toothlock, J6-4	16



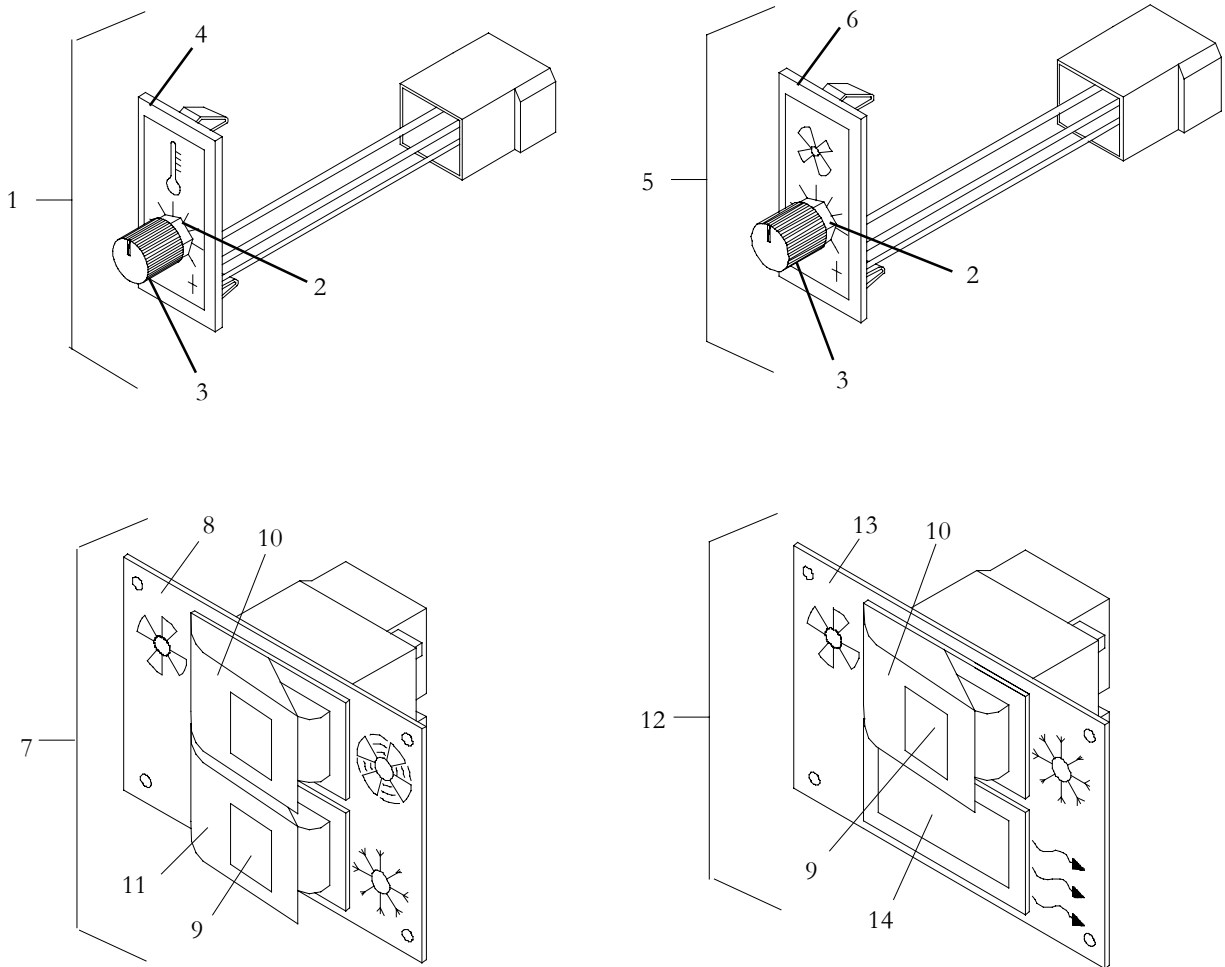
17 EVAPORATOR BLOWER AND CONDENSER FAN - LOW NOISE - AC310 & AC350 - GEN II



Item	Part Number	Description	Qty
1	10-37-03-025	Blower Mounting	8/12
	67-67013-00	Bracket Blower Mounting (AC350 -06 & -07 Only)	12
2	75-45-70-015	Double Radial Blower Assembly, 24 VDC (AC310)	4
	75-45-70-016	Double Radial Blower Assembly, 24VDC (AC350)	6
3	54-00584-00	Fan & Motor Assembly, 24 VDC, Permanent Magnet (Double Radial)	4/6
	28-22-07-054	Gasket, Blower (Not Included With Fan & Motor Assembly)	4/6
4	26-09-10-110	Speed Controller AC310	4
	26-09-10-108	Speed Controller AC350	6
5	10-37-03-008	Blower Mounting	8/12
	58-67012-00	Bracket, Blower Mounting (AC350 -06 & -07 Only)	12
6	32-02-14-011	Nut	8/12
7	32-03-20-006	Washer	8/12
8	32-04-01-012	Spring Washer	8/12
9	86-62216-01	Mount Assembly, Condenser Fan Motor, 3 Inch Diameter - Includes:	4/6
9A	34-00944-08Washer, Plain, M8	1
9B	34-00945-08Washer, Split Lock, M8	1
9C	34-01241-30Screw, Cap, Hex Head, M8 x 30MM Long, GR 10.9	1
10	38-00566-00	Condenser Fan, 7 Blades	4/6
11	34-62017-00	Clip, Retainer, Condenser Fan	4/6
12	54-00583-00	Motor, Fan, Condenser, 24VDC, PM	4/6



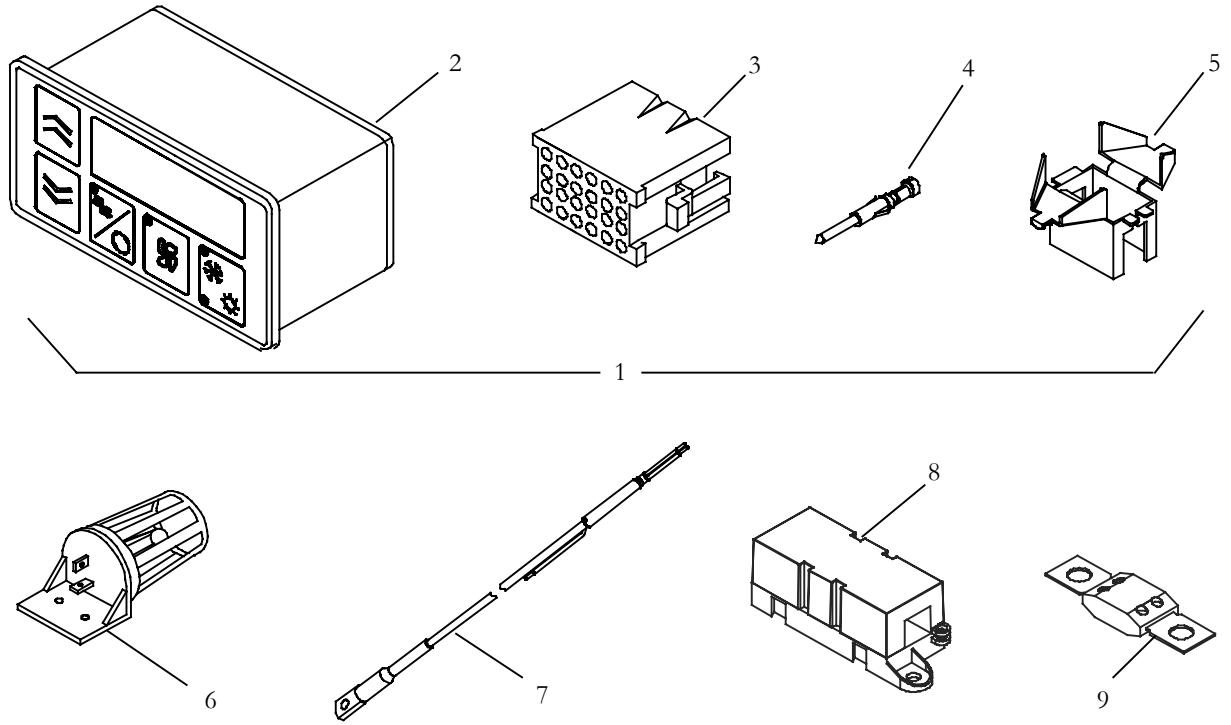
18 OPERATOR CONTROLS - GEN I & II



Item	Part Number	Description	Qty
1	60-01-40-065	Potentiometer, Thermostat Assembly - Includes:	1
2	26-11-05-020Potentiometer, 10k	1
3	26-43-01-029Knob	1
4	78-05-01-003Base Plate	1
5	60-01-40-066	Potentiometer, Fan Speed Assembly - Includes:	1
6	78-05-01-004Base Plate	1
7	60-01-40-060	Operating Panel Assembly - Includes:	1
8	34-01-06-047Plate, Base	1
9	26-01-05-018Insert, Switch, Black	1
10	26-01-05-016Switch, (High-Medium-Low)	1
11	26-01-05-013Switch (On-Off)	1
12	60-01-40-062	Operating Panel Assembly - Includes:	1
13	34-01-06-046Plate, Base	1
14	26-01-05-020Screen (Block-Off)	1



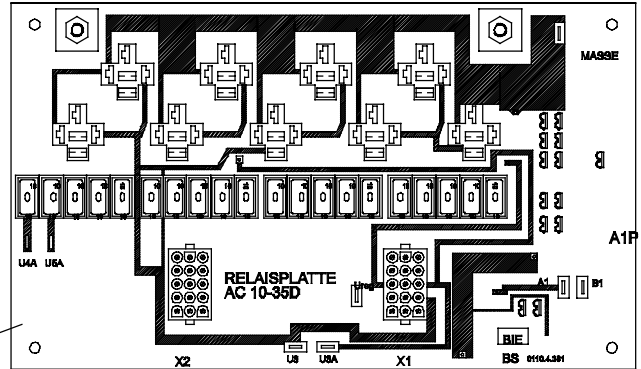
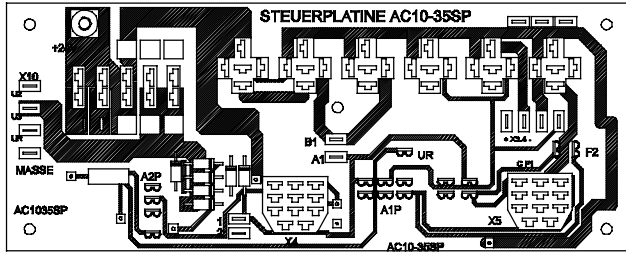
19 ELECTRICAL OPERATING PARTS CSDD (BT 324) - GEN II



Item	Part Number	Description	Qty
1	75-50-16-048	Controller Kit, CSDD, BT324, AC350 (24V) - Includes:	1
	75-50-16-049	Controller Kit, CSDD, BT324, AC310 (12V) - Includes:	
2	26-09-03-060-00Controller CSDD/BT324, 24VDC	1
	26-09-03-060-01Controller CSDD/BT324, 12VDC	1
3	26-17-12-038ITT Plug, 24 Position	1
4	26-33-03-209Connector, Male	17
5	26-17-12-039Strain Relief	1
6	26-09-03-816	Sensor, Interior	1
7	26-09-03-815	Sensor, exterior (Used With Reheat Only)	1
8	22-01800-00	Fuse Socket, Megafuse	1
9	22-02336-32	Fuse, 125 AMP	1

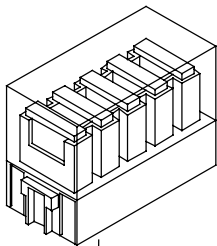


20 ELECTRIC CONTROL AND OPERATING PARTS - AC310 & AC350 - GEN II

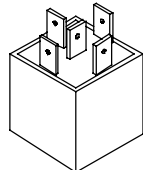


1

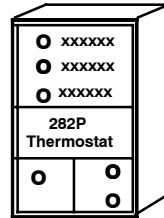
2



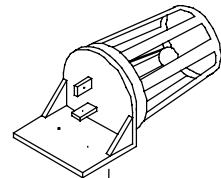
3



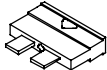
4



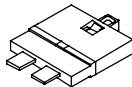
5



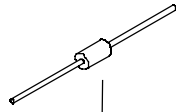
6



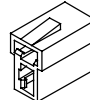
7



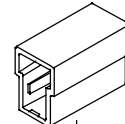
8



9



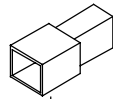
10



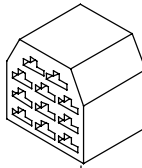
11



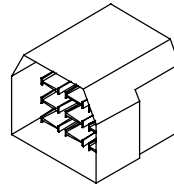
12



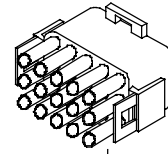
13



14



15



16



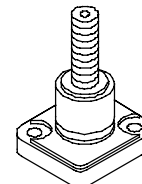
17



18



19



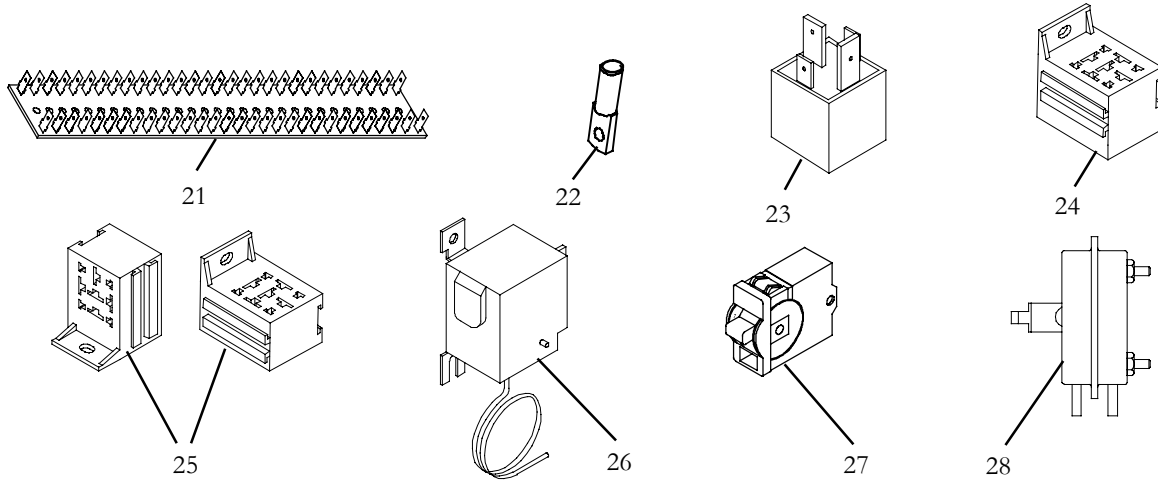
20



20 ELECTRIC CONTROL AND OPERATING PARTS - AC310 & AC350 - GEN II Continued:			
Item	Part Number	Description	Qty
1	26-38-08-002	Printed Circuit Board (AC350 -01 & -02 Only)	1
2	26-38-08-007	Printed Circuit Board (AC350 All)	1
3	26-05-11-042	Fuse Box	A/R
4	26-01-17-002	Relay, 12 Volt (AC310)	3
	26-01-17-107	Relay, 24 Volt (AC350)	A/R
5	26-09-03-027	Thermostat, Electronic, 282P	1
6	26-09-03-806	Sensor, Temperature (AC350 -01 & -02 Only)	A/R
7	26-05-05-245	Fuse 15 Amp (AC350 All)	A/R
	26-05-05-244	Fuse 10 Amp (AC350 -01 & -02 Only)	18
8	26-05-02-015	Breaker, Circuit, 15 Amp (AC310 Only)	10
	26-05-02-014	Breaker, Circuit, 10 Amp (AC310 Only)	7
9	26-11-15-001	Diode,1N 5406, 600 Volt, 3 Amp (AC310 Only)	12
10	26-17-15-004	Connector, Female, Double	A/R
11	26-17-05-004	Connector, Male, Double	A/R
12	26-17-15-001	Connector, Male, Single	1
13	26-17-05-001	Connector, Female, Single	A/R
14	26-17-15-050	Connector, Female, 11 Pin (AC350 -04, -05, -06 & -07) (AC310 - All)	1
15	26-17-05-050	Connector, Male, 11 Pin	1
16	26-17-15-037	Connector, 15 Pin	2
17	22-50098-77A	Terminal, Male	A/R
18	26-33-03-134	Terminal, Female	A/R
19	26-33-03-197	Pin	A/R
20	26-21-01-038	Terminal	1



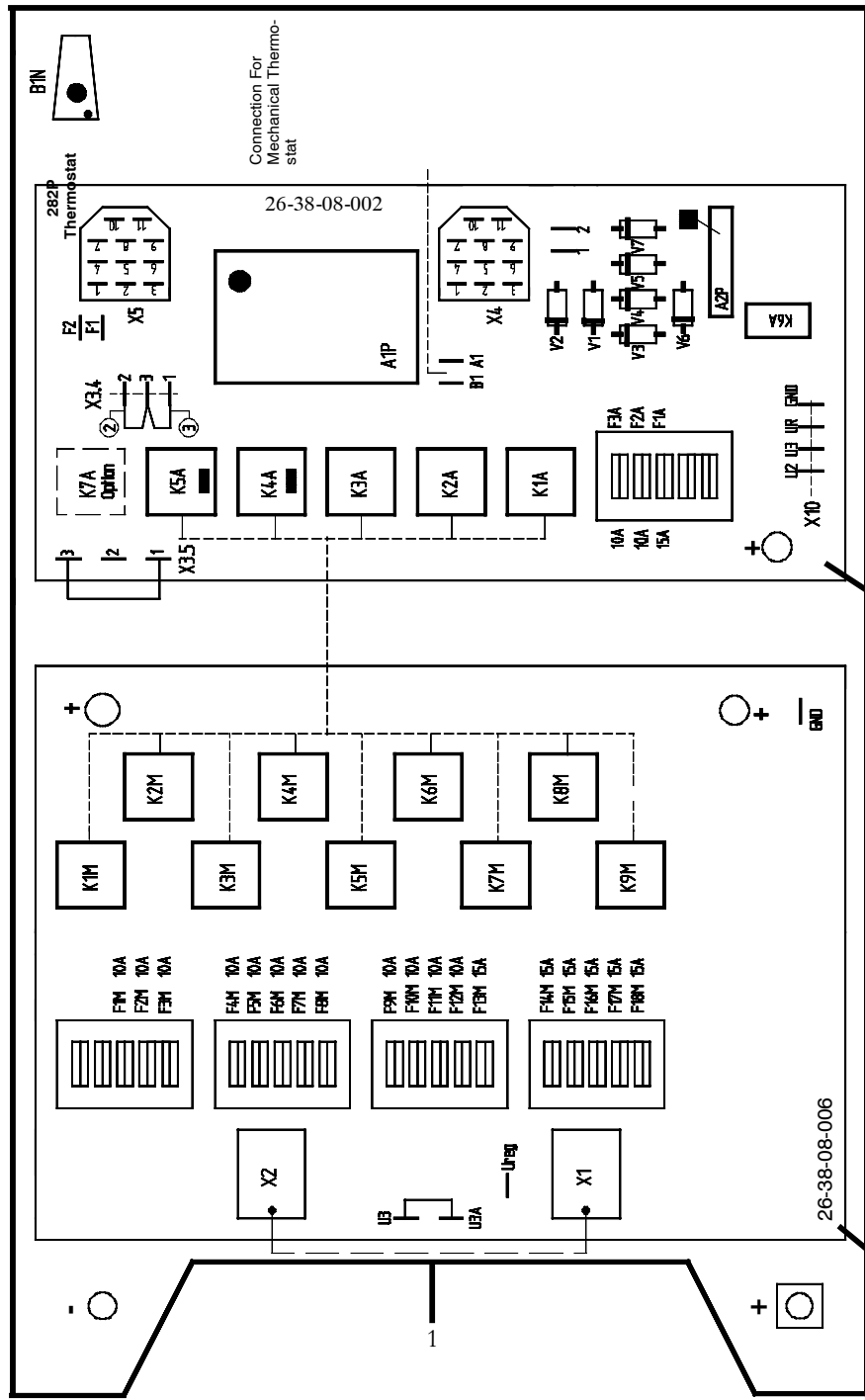
21 ELECTRICAL OPERATING PARTS - AC310 - GEN I



Item	Part Number	Description	Qty
21	26-21-10-010	Diode Board, (DL30)	1
22	26-09-03-803	Sensor, K276	1
23	26-01-17-012	Relay, 70 Amp, 12 VDC	9
24	26-01-19-002	Relay Support, 70 Amp	9
25	26-01-19-001	Relay Support, 30/40/70 Amp	3
26	26-03-15-001	Thermostat, Freeze	2
27	26-01-05-027	Switch, Override	1
28	12-01039-08	Switch, Pressure, Air (Adjustable)	1



22 RELAY PANEL WITH 282P THERMOSTAT - AC310 & AC350



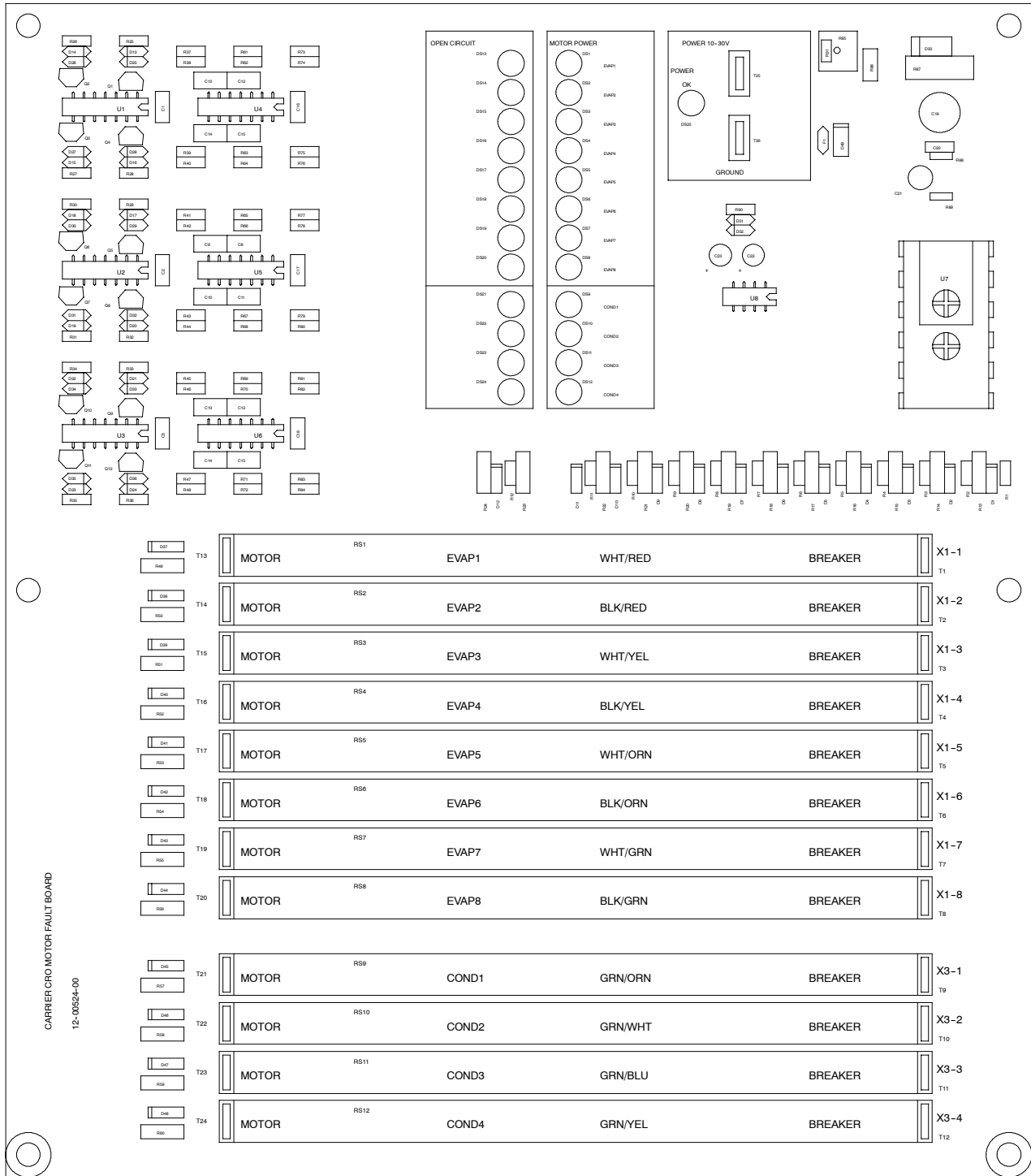
- Installed In Units With Electronic Thermostat
- Installed In Units With 2 Step Ventilation
- ⊖ Installed In Units With Heating
- ② Water Pump With Neg. Triggering
- ③ Water Pump With Pos. Triggering

Unit	Relays For Evaporator Blowers Relays For Condenser Blowers
AC310	K1M - K4M K7M - K8M
AC350	K1M - K6M K7M - K9M

Item	Part Number	Description	Qty
1	60-01-28-020	Relay Panel With 282P Electronic Thermostat	1
2	26-38-08-006	Printed Circuit Board (AC350 -01, -02, -04 & -05))	1
3	26-38-08-002	Printed Circuit Board (AC350 -01 & -02 Only)	1



23 ELECTRIC CONTROL AND OPERATING PARTS - (MOTOR FAULT BOARD)

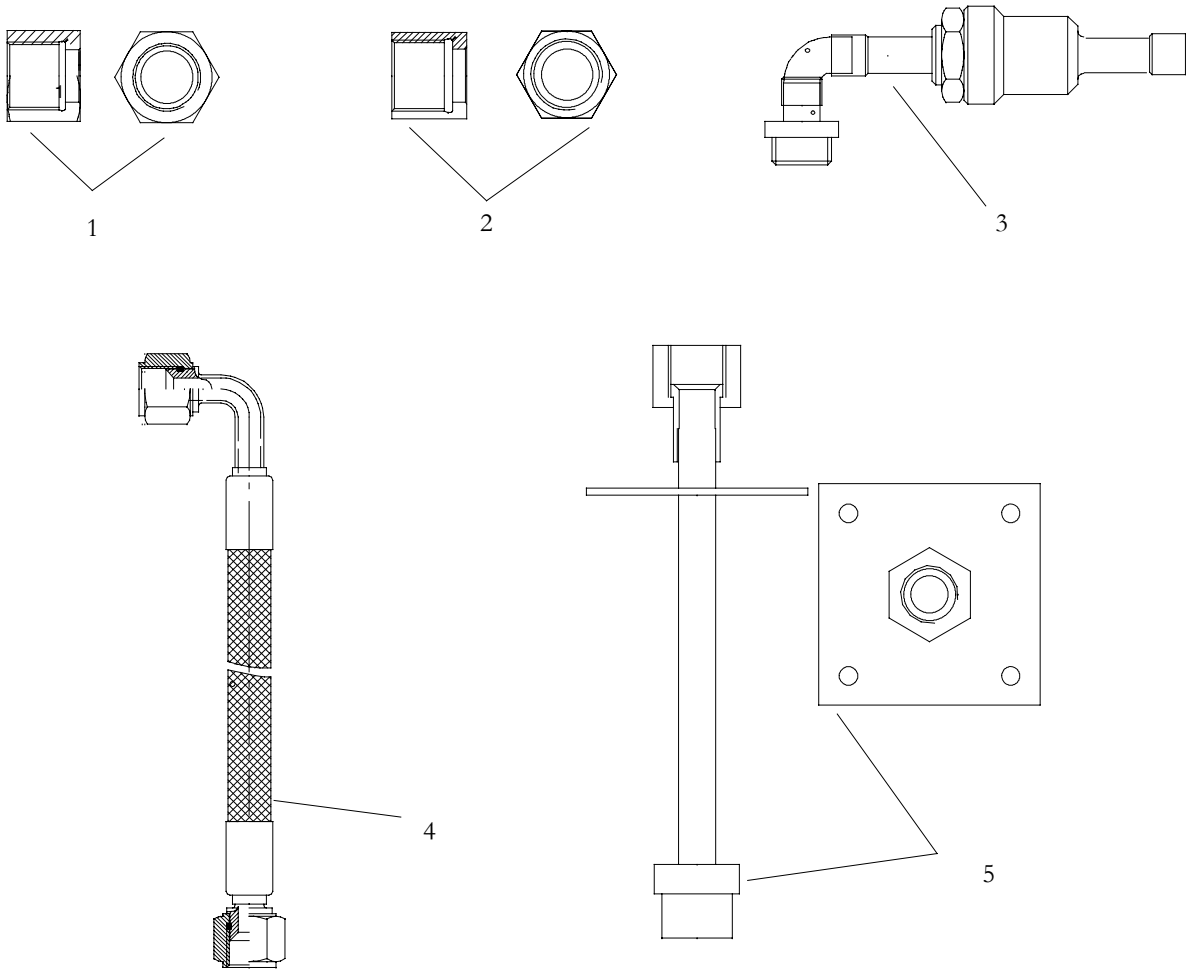


CARRIER PRO MOTOR FAULT BOARD
12-00524-00





24 COOLING SYSTEM COMPONENTS (Front Evaporator Option)



Item	Part Number	Description	Qty
1	22-23-34-039	Nut, Swivel, for Front Box (Dash Air) Connection, 1-1/16-14 UNS	1
2	22-25-34-036	Nut, Swivel, for Front Box (Dash Air) Connection, 7/8-14 UNF	1
3	10-60-15-087	Check Valve assembly, (Discharge Line)	1
4	10-60-22-045	Hose Assembly, Adapter, Front Box (Dash Air) Connection	1
5	10-60-21-047	Tube Assembly, Liquid Line, (Solenoid Valve-Front Box)	1



INDEX

PART # PAGE #

1

10-19-03-013 11

10-19-03-015 11, 13

10-19-04-014 11

10-37-03-008 24

10-37-03-023 23

10-37-03-024 23

10-37-03-025 24

10-55-01-027 7

10-55-05-004 18

10-60-01-016 13, 15

10-60-01-017 13, 15

10-60-01-018 13, 15

10-60-01-019 13, 15

10-60-01-030 11

10-60-01-031 11

10-60-01-086 11

10-60-01-087 11

10-60-03-026 17

10-60-03-027 17

10-60-03-028 17

10-60-03-029 17

10-60-03-055 13

10-60-03-056 13

10-60-03-066 11

10-60-03-068 11

10-60-03-098 11

10-60-03-117 15

10-60-15-087 33

10-60-21-018 11, 18, 19

10-60-21-047 33

10-60-21-048 11

PART # PAGE #

10-60-22-023 18

10-60-22-033 18

10-60-22-035 18

10-60-22-045 33

10-60-22-060 19

10-60-71-003 17

10-63-01-010 18

10-63-01-013 17

10-85-03-043 20

10-85-03-044 20

10-85-03-047 20

12-00524-00 32

12-01039-08 30

14-00299-00 21

14-00299-01 21

14-00326-05 19

14-00345-00 19

14-01110-01 21

14-01110-02 21

15-02-01-926 22

15-03-01-703 22

15-03-01-704 22

15-03-01-706 22

15-03-01-707 22

15-03-01-708 22

15-03-01-709 9

15-03-01-717 22

15-03-01-927 9

15-03-10-011 7

15-04-16-024 11, 13

15-07-12-001 18

15-07-12-002 17

15-07-16-027 7, 9

17-31205-00 17, 18

2

20-08-09-020 11, 13



INDEX

PART #	PAGE #	PART #	PAGE #
20-08-09-021	15	24-07-10-018	11, 13
21-03-51-003	7	24-11-10-062	21
21-03-51-010	7	24-11-10-064	21
21-03-51-025	7, 9	24-11-10-066	21
21-08-03-011	11, 13	24-11-10-069	21
21-08-06-014	11, 13	26-01-05-013	25
21-08-06-019	20	26-01-05-016	25
21-08-07-007	11, 13	26-01-05-018	25
21-08-07-008	15	26-01-05-020	25
21-08-15-012	15	26-01-05-027	30
21-10-01-015	17, 18	26-01-17-012	30
21-10-02-002	22	26-01-19-001	30
22-01800-00	26	26-01-19-002	30
22-02336-32	26	26-03-15-001	30
22-05-12-018	11, 13	26-05-02-014	29
22-05-13-007	11, 13	26-05-05-244	29
22-05-13-013	15	26-05-05-245	29
22-05-13-100	11, 13	26-01-17-002	29
22-05-15-100	17, 18	26-05-11-042	29
22-05-15-305	17, 18	26-01-17-107	29
22-05-15-310	19	26-09-03-027	29
22-23-34-039	33	26-09-03-060-00 . . .	26
22-25-05-001	7, 9	26-09-03-060-01 . . .	26
22-25-34-036	33	26-09-03-803	30
22-50098-77A	29	26-09-03-806	29
24-02-11-151	17	26-09-03-815	26
24-02-11-153	17	26-09-03-816	26
24-02-11-201	18	26-09-10-108	24
24-04-01-105	13	26-09-10-110	24
24-04-01-173	11	26-11-05-020	25
24-04-01-180	15	26-11-15-001	29
24-04-02-005	17, 18	26-17-05-001	29
24-04-75-014	11, 13, 15	26-17-05-004	29
24-06-01-026	17, 18	26-17-05-050	29
		26-17-12-038	26



INDEX

PART #	PAGE #
26-17-12-039	26
26-05-02-015	29
26-17-15-001	29
26-17-15-004	29
26-17-15-037	29
26-17-15-050	29
26-21-01-038	29
26-21-10-010	30
26-27-03-011	7
26-27-03-013	7, 9
26-27-03-015	7, 9
26-27-07-006	7
26-27-07-007	7, 9
26-27-07-008	7, 9
26-33-03-134	29
26-33-03-197	29
26-33-03-209	26
26-38-08-002	29, 31
26-38-08-006	31
26-38-08-007	29
26-43-01-029	25
28-02-05-013	23
28-02-10-015	23
28-20-01-003	23
28-20-01-203	23
28-22-01-003	23
28-22-05-003	23
28-22-07-001	23
28-22-07-050	23
28-22-07-054	24
28-23-01-024	23

PART #	PAGE #
--------	--------

3

32-01-02-049	13
32-02-14-011	23, 24
32-03-03-007	23
32-03-03-013	9
32-03-20-006	24
32-04-01-012	13, 23, 24
32-10-10-500	7, 9
32-15-11-005	17, 18
32-15-30-852	13
32-15-30-935	13
32-15-45-002	20
32-23-05-069	18
32-23-10-001	17
32-23-26-236	11, 13, 17, 18
32-24-01-013	7, 9
32-24-01-016	7, 9
32-24-01-034	7, 9
32-24-01-039	7, 9
32-24-01-058	20
32-24-01-059	20
32-24-01-060	20
34-00944-08	24
34-00945-08	24
34-01-06-046	25
34-01-06-047	25
34-01241-30	24
34-62016-00	7, 9
34-62017-00	23, 24
38-00566-00	24

4

42-00243-04	19
-----------------------	----



INDEX

PART #	PAGE #
42-00243-11	15

5

54-00583-00	24
54-00584-00	24
58-67012-00	24

6

60-01-28-020	31
60-01-40-060	25
60-01-40-062	25
60-01-40-065	25
60-01-40-066	25
67Ć67013Ć00	24

7

75-01-01-045	13
75-01-01-073	11
75-01-01-184	15
75-19-01-030	20

PART #	PAGE #
75-25-05-115	7

75-25-05-116	7
75-25-05-300	7
75-25-05-301	7
75-45-70-015	24
75-45-70-016	24
75-47-05-328-00	9
75-47-05-431	9
75-50-16-048	26
75-50-16-049	26
75Ć65Ć04Ć004	19
78-05-01-003	25
78-05-01-004	25
78-07-01-003	15

8

86-62216-00	23
86-62216-01	24

C

CM258-514	21
---------------------	----

Every driver deserves the best possible vehicle climate with MCC products

MCC provides exceptional performance in mobile climate comfort.



www.mcc-hvac.com

Member of MCC Group • Certified ISO 9001 and ISO 14001.
Specifications subject to change without notice. MCC is a registered trademark.