



Mobile Climate Control

T-306PL Manual



SERVICE PARTS LIST
for
68RM55-100/101 and Y13-R5501-xx Series
MICROMAX

T-306PL

REV. 03/2013



TABLE OF CONTENTS

TABLE OF CONTENTS **i**

INTRODUCTION iii

MODEL/SERIAL NUMBER PLATE LOCATION iii

MODEL CHART iv

ORDERING INSTRUCTIONS iv

GENERAL NOTES v

1 UNIT ASSEMBLY - LOCATIONAL VIEW 1

2 ELECTRICAL COMPONENTS 2

 2.1 Electrical Components - Model 68RM55-100-17 2

 2.2 Electrical Components - Model 68RM55-100-22 4

 2.3 Electrical Components - Models 68RM55-100-23, -25 6

 2.4 Electrical Components - Model 68RM55-100-24 9

 2.5 Electrical Components - Models 68RM55-101-3, -5 12

 2.6 Electrical Components - Model 68RM55-101-4 14

 2.7 Electrical Components - Model 68RM55-101-6 16

 2.8 Electrical Components - Models 68RM55-101-7, -9, -12, -19, -20, -24 18

 2.9 Electrical Components - Models 68RM55-101-8, -10, -11, -15, -16, -17, -23, -25, -26 21

 2.10 Electrical Components - Model 68RM55-101-18, -21 24

 2.11 Electrical Components - Models Y13-R5501-00 & Y13-R5501-01 26

3 ELECTRICAL CONTROL PANELS 28

 3.1 Electrical Control Panel - Model 68RM55-100-17 28

 3.1 Electrical Control Panel - Model 68RM55-100-17 (Continued) 29

 3.2 Electrical Control Panel - Models 68RM55-100-22, -101-8, -10, -11, -15, -16, -17, -23, -25, -26 30

 3.3 Electrical Control Panel - Models 68RM55-100-23, -25, 101-6, -7, -9, -19, -24 34

 3.4 Electrical Control Panel - Models 68RM55-101-3, -5 36

 3.5 Electrical Control Panel - Model 68RM55-101-4 39

 3.6 Electrical Control Panel - Model 68RM55-100-24 42

 3.7 Electrical Control Panel - Models 68RM55-101-12, -18, -20, -21 45

 3.8 Electrical Control Panel - Model Y13-R5501-00 & Y13-R5501-01 48

 3.8.1 Electrical INTERFACE CONNECTORS Y13-R5501-00 & Y13-R5501-01 49

4 COIL KIT 51

 4.1 Coil Kit - Model 68RM55-100-17 51

 4.2 Coil Kit - Models 68RM55-100-22, -23, -24, -25 51

 4.3 Coil Kit - Model 68RM55-101-3 52

 4.4 Coil Kit - Models 68RM55-101-4, -5, -6, -7, -8, -9, -10, -11, -12, -15, -16, -17, -18, -19, -20, -21, -23, -24, -25, -26, Y13-R5501-00 & Y13-R5501-01 52

5 REFRIGERANT PIPING KIT - R-22 Models 53

 5.1 Refrigerant Piping Kit - Model 68RM55-100-17 53

 5.2 Refrigerant Piping Kit - Models 68RM55-100-22, -23, -24, -25 57

6 REFRIGERANT PIPING KIT - R-134a Models 61

 6.1 Refrigerant Piping Kit - Models 68RM55-101-3, -4, -5 61

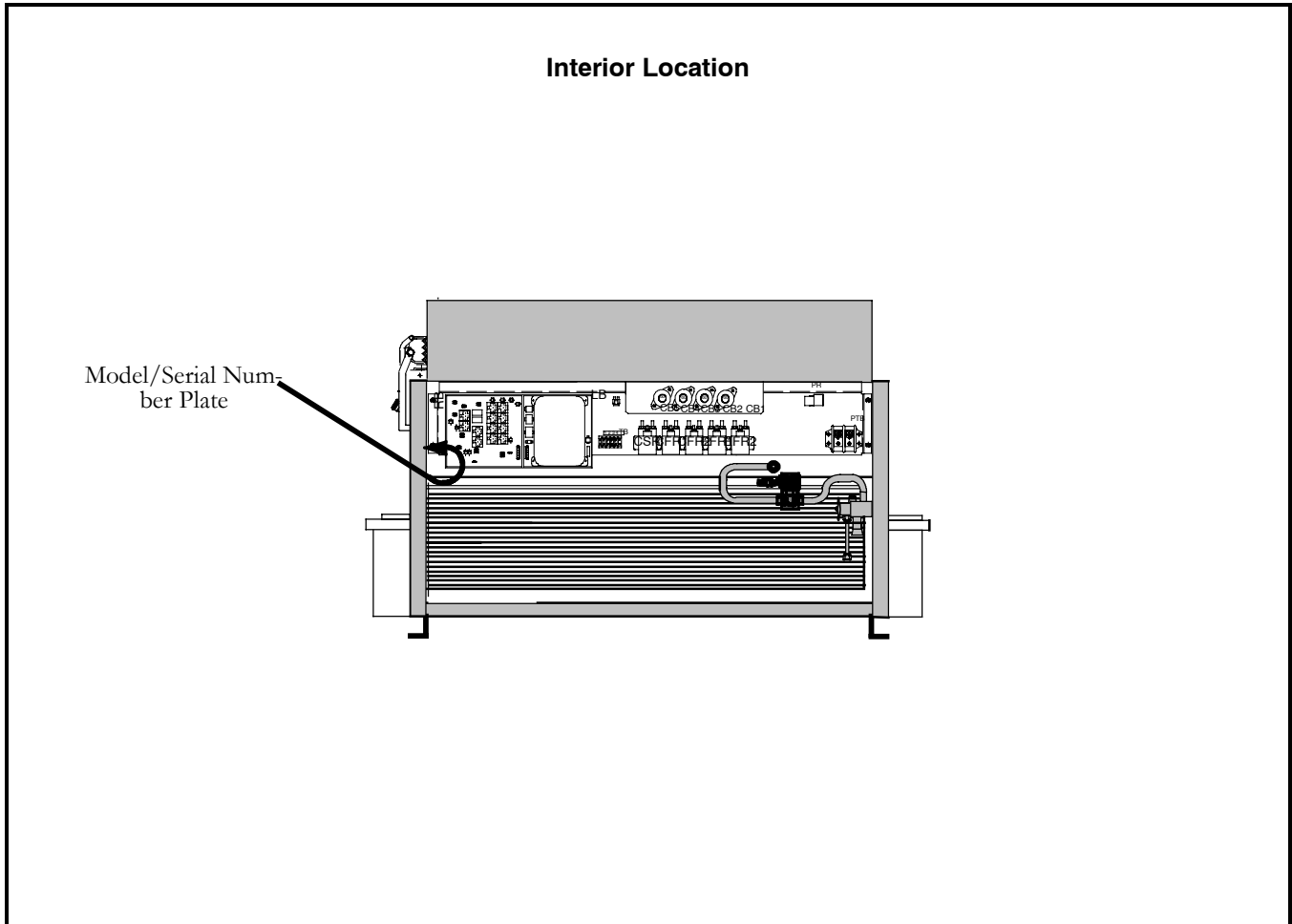


- 6.2 Refrigerant Piping Kit - Models 68RM55-101-6, -7, -8, -9, -10, -12, -15, -16, -19, -20, -23, -24, -25 65
- 6.3 Refrigerant Piping Kit - Models 68RM55-101-11, -17, -18, -21, -26 70
- 6.4 Refrigerant Piping Kit - Models Y13-R5501-00 & Y13-R5501-01 76
- 7 AIR FILTER KIT - 68RM55-101-12, -19, -20, -21, -23, -24, -25, -26 & Y13-R5501-00 & -01 Systems 79
- 8 HEATER CONNECTION ASSEMBLY - All 68RM55 Systems 80
- 9 LABELS - GASKETS 81
 - 9.1 Labels - Gaskets - R22 Units 81
 - 9.2 Labels - Gaskets - R134a Units 82
- 10 CONDENSER FAN MOTOR ASSEMBLY 83
 - 10.1 Condenser Fan Motor Assembly - Common Parts - All Models 83
 - 10.2 Condenser Fan Motor Assembly - Models 68RM55-100-22, 101-8, -10, -11, -15, -16, -17, -23, 25, -26 83
 - 10.3 Condenser Fan Motor Assembly - Models 68RM55-100-17, -23, -25, 101-3, -5, -6, -7, -9, -12, -18, -19, -20, -21, -24 & Y13-R5501-00 & Y13-RM5501-01 84
 - 10.4 Condenser Fan Motor Assembly - Model 68RM55-100-24, 101-4 84
- 11 EVAPORATOR BLOWER ASSEMBLY 85
 - 11.1 Evaporator Blower Assembly - Common Parts - All Models 85
 - 11.2 Evaporator Blower Assembly - Models 68RM55-100-17, -23, 101-3, -5, -6 85
 - 11.2 Evaporator Blower Assembly - Models 68RM55-100-17, -23, 101-3, -5, -6 (Continued) 86
 - 11.3 Evaporator Blower Assembly - Models 68RM55-100-24, 101-4 86
 - 11.4 Evaporator Blower Assembly - Models 68RM55-100-22 87
 - 11.5 Evaporator Blower Assembly - Models 68RM55-100-25, 101-7, -9, -12, -18, -19, -20, -21, -24 & Y13-R5501-00 & -01 88
 - 11.6 Evaporator Blower Assembly - Models 68RM55-101-8, -10, -11, -15, -16, -17, -23, 25, -26 89
- 12 COMPRESSOR INSTALLATION COMPONENTS 90
 - 12.1 Compressor Installation Components - R-22 Systems - Common Parts 90
 - 12.2 Compressor Installation Components - 68RM55-100-17 92
 - 12.3 Compressor Installation Components - 68RM55-100-22 93
 - 12.4 Compressor Installation Components - 68RM55-100-23, -24, -25 94
 - 12.5 Compressor Installation Components - R-134a Systems - Common Parts 96
 - 12.6 Compressor Installation Components - 68RM55-101-3, -4, -5, -6, -7, -8 98
 - 12.7 Compressor Installation Components - 68RM55-101-9 99
 - 12.8 Compressor Installation Components - 68RM55-101-7, -8, -9, -10, -11, -12, -15, -16, -17, -18, -19, -20, -21, -23, -24, -25, -26 100
 - 12.9 Compressor Installation Components - Y13-R5501-00 & -01 102
 - 12.9 Compressor Installation Components - Y13-R5501-00 & -01 (Continued) 103
- 13 MICROMATE CONTROL PANEL 104

INTRODUCTION

This parts list identifies service replacement parts for Mobile Climate Control Model 68RM55-100 and Model 68RM55-101 Bus Air Conditioning and Heating systems found in the Model Chart (below). This parts list contains parts required to modify the standard O5G compressor to these applications.

MODEL/SERIAL NUMBER PLATE LOCATION





MODEL CHART

Part (Model) Number	Refrigerant	Supplied Compressor	Air Return Filter Material	Evaporator & Condenser Motors	
68RM55-100-17	R-22	68PD537-104-102	OEM Supplied	Brushless	
68RM55-100-22		68PD537-104-119		Wound Field	
68RM55-100-23		68PD537-104-122		Brushless	
68RM55-100-24				Permanent Magnet	
68RM55-100-25				Brushless	
68RM55-101-3	R-134a	68PD541-104-54		Brushless	
68RM55-101-4				Permanent Magnet	
68RM55-101-5				Brushless	
68RM55-101-6				Brushless	
68RM55-101-7				Brushless	
68RM55-101-8		68PD541-104-54 or 68PD541-104-77		Wound Field	
68RM55-101-9		68PD541-104-77 or 68PD541-104-78		Brushless	
68RM55-101-10		68PD541-104-77		Wound Field	
68RM55-101-11		68PD541-124-26		Wound Field	
68RM55-101-12				Brushless	
68RM55-101-15				Wound Field	
68RM55-101-16				Wound Field	
68RM55-101-17				Wound Field	
68RM55-101-18				Brushless	
68RM55-101-19				Brushless	
68RM55-101-20				Brushless	
68RM55-101-21				Brushless	
68RM55-101-23				Wound Field	
68RM55-101-24				Brushless	
68RM55-101-25				Wound Field	
68RM55-101-26			Wound Field		
Y13-R5501-00			Y61-05G01-10	77-00251-00	Brushless
Y13-R5501-01			Y61-05G01-10	77-00251-00	Brushless

ORDERING INSTRUCTIONS

All orders and inquiries for parts must include: Unit Serial Number, Part no., description of part as shown on list and quantity required. Parts can be ordered by going to the following website:

www.mcc-hvac.com



GENERAL NOTES

To find replacement parts, determine major group in which replacement part is located, consult table of contents for the appropriate page for the illustrated breakdown of the replacement part. The following letter designations are used to classify parts throughout this list.

A/R *As Required*

NSA *Non-Stock Assembly* - order components listed under the assembly.

NSS *Not Sold Separately* - order next higher assembly or kit.

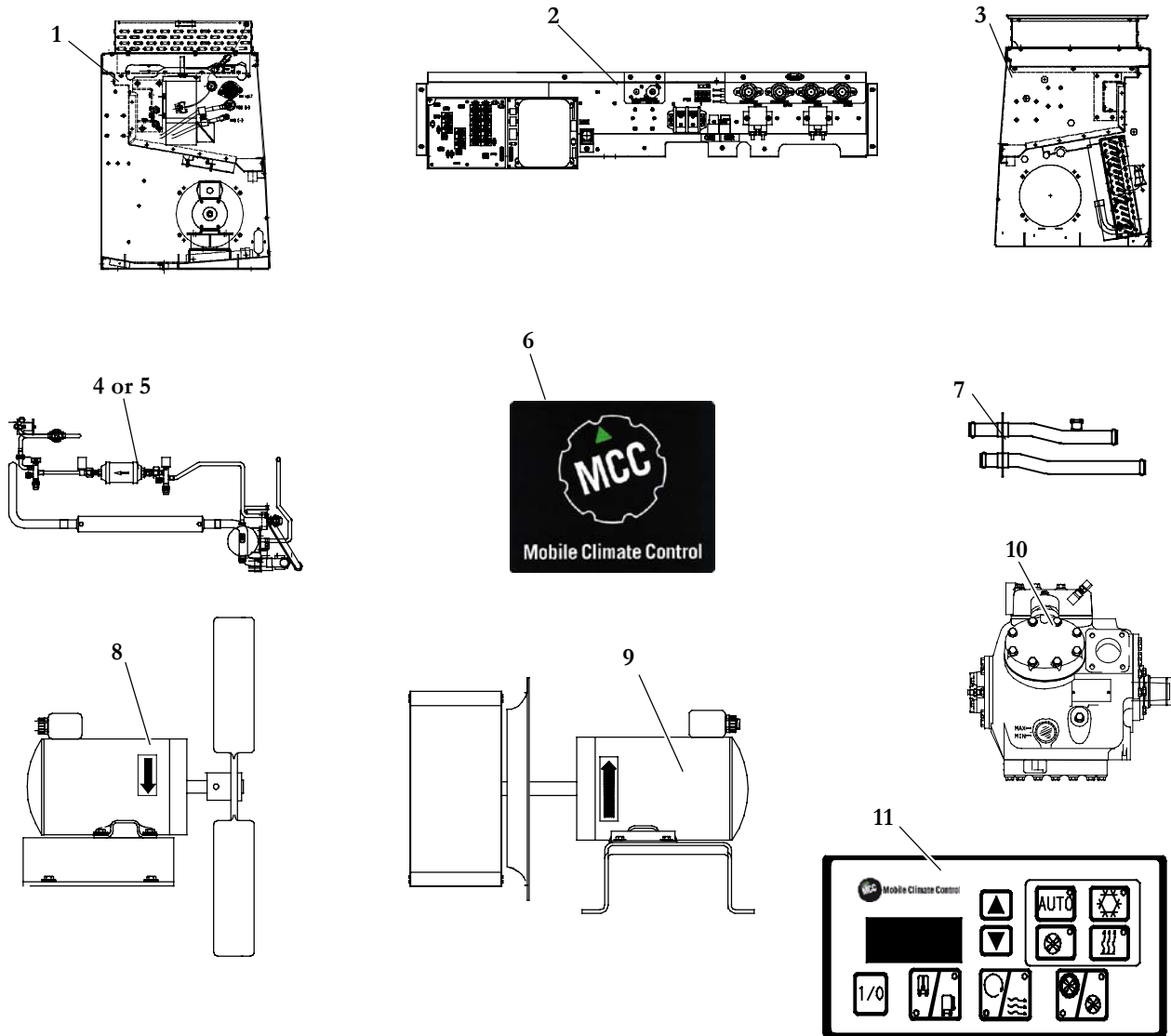
P *Painted*

SST *Stainless Steel* - 300 Series unless otherwise specified.

SV Suffix SV added to part number designates service replacement part.



1 UNIT ASSEMBLY - LOCATIONAL VIEW



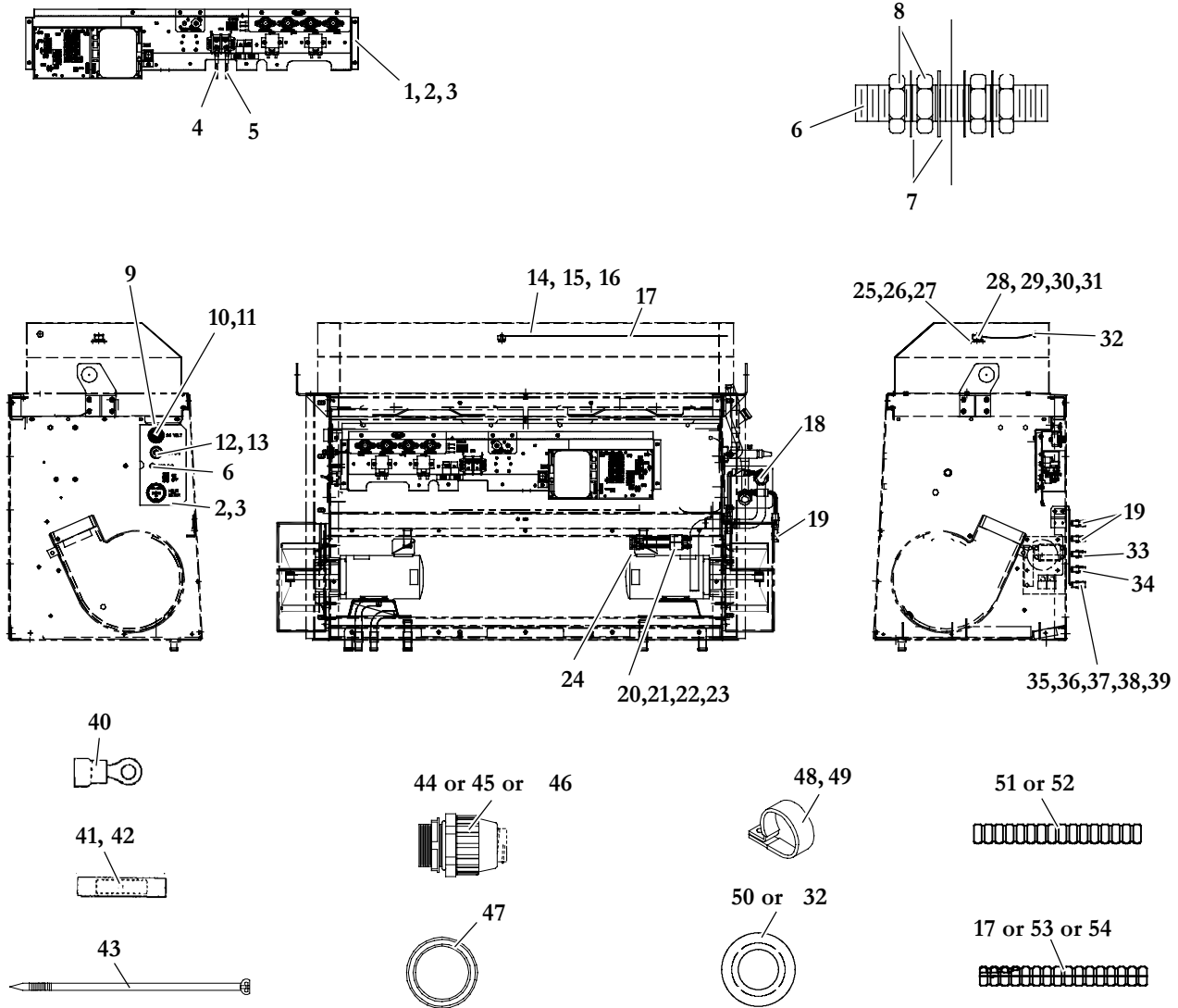
Item	Description	Qty.
1	ELECTRICAL COMPONENTS (Refer to Section 2)	-
2	ELECTRICAL CONTROL PANELS (Refer to Section 3)	-
3	COIL KITS (Refer to Section 4)	-
4	REFRIGERANT PIPING KIT - R-22 (Refer to Section 5.1)	-
5	REFRIGERANT PIPING KIT - R-134a (Refer to Section 6)	-
6	LABEL - GASKETS (Refer to Section 9)	-
7	HEATER CONNECTION ASSEMBLY (Refer to Section 8)	-
8	CONDENSER FAN AND MOTOR (Refer to Section 10)	-
9	EVAPORATOR FAN AND MOTOR (Refer to Section 11)	-
10	COMPRESSOR COMPONENTS (Refer to Section 12)	-
11	MICROMATE CONTROL PANEL (Refer to Section 13)	-



2 ELECTRICAL COMPONENTS

2.1 Electrical Components - Model 68RM55-100-17

Kit 68RM55-108-15



Item	Part Number	Description	Qty
1	68RM55-131-12	Panel Assembly, Electrical (See Section 3.1)	1
2	34-00655-08	Screw, Hex Head, 1/4-20 x 1.00 Inch Long, SST	12
3	34-06212-12	Washer, Plain, 1/4 Inch, Type A, SST	4
4	68RM55-209	Cable Assembly, Battery, Black x 34.00 Inches Long	1
5	68RM55-210	Cable Assembly, Battery, Red x 34.00 Inches Long	1
6	34-06095-00	Stud, Battery Connection, 3/8-16 x 2.00 Inches Long, Brass	1
7	34-00938-13	Washer, Lock, Internal Tooth, 3/8, Silicone Bronze	4
8	34-00879-03	Nut, Hex, Jam, 3/8-16, Brass	4
9	62-62012-00	Label, 24 VOLT POS (+) NEG (-)	1
10	22-01565-00	Connector, Male, 22 Pin	1
11	22-50078-09A	Lock, Secondary	2
12	10-00315-00	Stud, Battery Connection, 3/8-16 x 2.07 Inches Long, Brass	1
13	34-62001-00	Washer, Nylon, Red	1

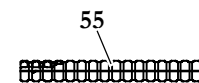
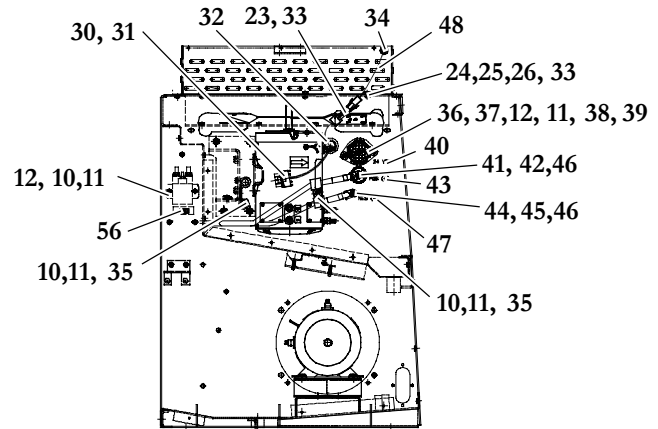
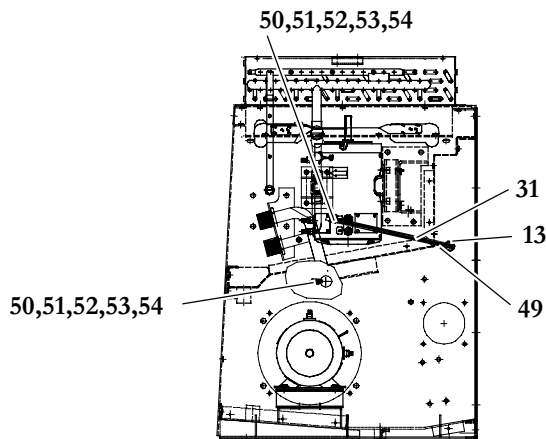
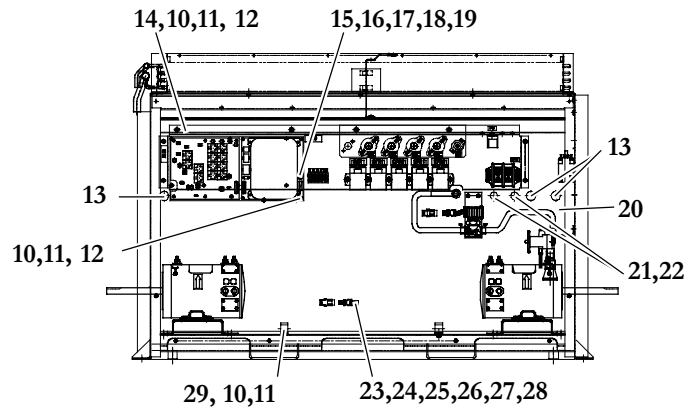
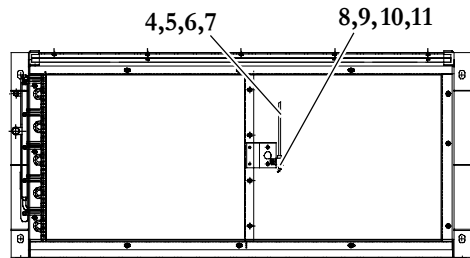
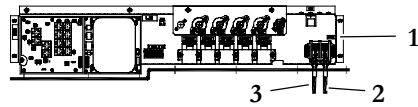


2.1 Electrical Components - Model 68RM55-100-17 (Continued)			
Item	Part Number	Description	Qty
14	34-00373-03	Clamp, Tube, 3/8 Inch OD, With Neoprene Cushion, SST	1
15	34-00655-06	Screw, Hex Head, 1/4-20 x 3/4 Inch Long, SST	1
16	34-00663-11	Washer, Split Lock, 1/4 Inch, SST	1
17	58-00858-00	Tubing, Split, Corrugated, 1/4 Inch ID x 25 Feet Long	1
18	22-01565-01	Plug, Terminal Cavity	15
19	22-01585-02	Connector, Male, 2 Pin, Gray (to UV1 or UV2)	2
20	12-00352-00	Transducer, Pressure, Suction/Discharge	2
21	22-02448-00SV	Connector Package, Female - Includes:	2
22	NSS	Connector, Female, Black, 3 Pin	1
23	22-50078-76B	Terminal, Female (16-18 AWG)	3
24	22-50100-00	Terminal, Contact, Female	6
25	66U1-5371-10	Screw, Cap, Hex Head Slotted, #10-24 x 1.00 Inch Long, SST	2
26	34-00662-09	Washer, Plain, #10, .032 Thick, SST	2
27	34-00663-09	Washer, Split Lock, #10, SST	2
28	68RM35-267	Thermistor Assembly - Includes:	1
29	12-00495-02SV	Thermistor Kit, (Replacement For 12-00305-04)	1
30	22-02394-00	Seal, Cable	2
31	22-02393-01	Terminal, Male (18-20 AWG)	2
32	58-00065-49	Grommet, 0.38 ID x 0.56 Hole, 0.12 Inch Groove	2
33	22-01585-00SV	Connector Assembly, Male, 2 Pin, Black (to HPS)	3
34	22-02392-01	Connector, 2 Pin, Medium Gray (to CL)	1
35	22-02392-00SV	Connector Kit, 2 Pin (to LPS) - Includes:	4
36	NSS	Connector, 2 Pin, Black	1
37	22-02393-00	Terminal, Male (14-16 AWG)	2
38	22-02394-01	Seal, Cable	2
39	22-02393-01	Terminal, Male (18-20 AWG)	2
40	AC201-208	Terminal, Ring, 5/16	4
41	AC201-244	Butt Connector, Crimp & Seal, 14-16 AWG	4
42	AC202-209	Tubing, Heat Shrink, 3/16 With Adhesive	1
43	66U1-3882	Wire Tie, Self-Locking, 7.00 Inches, Black	45
44	22-02302-02	Connector, Liquid Tight, Straight, 1/2 Inch	3
45	AC202-418	Connector, Liquid Tight, Straight (.230 - .546)	2
46	22-02302-03	Connector, Liquid Tight, Straight, 3/4 Inch	1
47	34-01268-01	Washer, Sealing, 1/2 Inch, Black	2
48	AC701-201	Clamp, Tube, Insulated, 5/8 Inch	6
49	AC701-221	Clamp, Loom, Insulated, 3/4 Inch	2
50	AC801-607	Grommet, 0.75 ID x 1.06 Hole, 0.12 Inch Groove	2
51	AC202-210	Tubing, Flexible, 1/2 Inch, Closed (25 Feet)	1
52	AC202-215	Tubing, Flexible, 3/4 Inch, Closed (25 Feet)	1
53	58-00848-33	Tubing, Split, Corrugated, 1/2 Inch ID x 90.00 Inches Long	1
54	58-00850-00	Tubing, Split, Corrugated, 0.92 Inch ID x 75 Feet Long	1



2.2 Electrical Components - Model 68RM55-100-22

Kit 68RM55-108-19



Item	Part Number	Description	Qty
1	68RM55-131-16	Panel Assembly, Electrical (See Section 3.2)	1
2	68RM55-210-13	Cable Assembly, Battery, Red x 26.50 Inches Long	1
3	68RM55-209-12	Cable Assembly, Battery, Black x 26.50 Inches Long	1
4	68RM35-267	Thermistor Assembly - Includes:	1
5	12-00495-02SV	Thermistor Kit, (Replacement For 12-00305-04)	1
6	22-02394-00	Seal, Cable	2
7	22-02393-01	Terminal, Male (18-20 AWG)	2
8	34-00373-03	Clamp, Tube, 3/8 Inch OD, With Neoprene Cushion, SST	1
9	66U1-3882	Wire Tie, Self-Locking, 7.00 Inches, Black	2
10	34-00655-06	Screw, Hex Head, 1/4-20 x 3/4 Inch Long, SST	15
11	34-00663-11	Washer, Split Lock, 1/4 Inch, SST	18
12	34-06212-12	Washer, Plain, 1/4 Inch, Type A, SST	12
13	22-02302-03	Connector, Liquid Tight, Straight, 3/4 Inch	4
14	68-62320-00	Cover, Relay Board, Painted	1

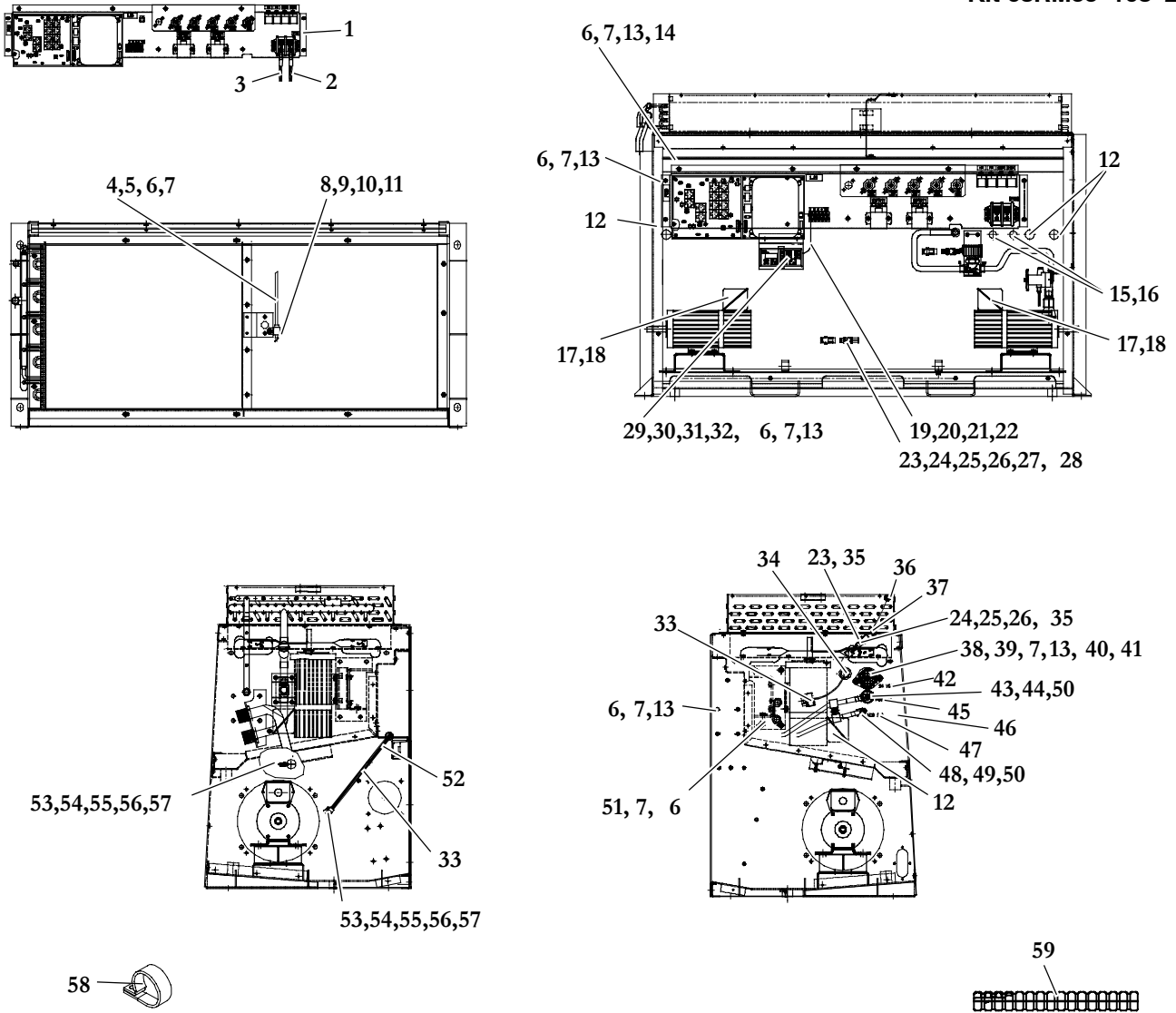


2.2 Electrical Components - Model 68RM55-100-22 (Continued)			
Item	Part Number	Description	Qty
15	22-62089-00	Wire Harness, Remote NFI, 61.00 Inches Long - Includes:	1
16	22-50145-00	Connector, Plug, 4 Pin	1
17	22-50152-00	Terminal, Female Receptacle (16-26 AWG)	4
18	22-02394-02	Seal, Cable, Green (.06 - .08 Cable OD)	4
19	22-01566-01	Terminal, Female (18-20 AWG)	4
20	58-00065-87	Grommet, 1.12 ID x 1.44 Hole, 0.156 Inch Groove	1
21	AC202-418	Connector, Liquid Tight, Straight (.230 - .546)	2
22	34-01268-01	Washer, Sealing, 1/2 Inch, Black	2
23	22-01585-00SV	Connector Assembly, Male, 2 Pin, Black	2
24	22-02392-00SV	Connector Kit, 2 Pin - Includes:	2
25	NSS	Connector, 2 Pin, Black	1
26	22-02393-00	Terminal, Male (14-16 AWG)	2
27	22-02394-01	Seal, Cable	2
28	22-02393-01	Terminal, Male (18-20 AWG)	2
29	34-00373-13	Clamp, Tube, 1.00 Inch OD, With Neoprene Cushion, SST	2
30	22-01585-04	Connector, Male, 4 Pin, Black	1
31	58-00848-33	Tubing, Split, Corrugated, 1/2 Inch ID x 90.00 Inches Long	1
32	58-00065-85	Grommet, 0.88 ID x 1.12 Hole, 0.090 Inch Groove	1
33	58-00858-00	Tubing, Split, Corrugated, 1/4 Inch ID x 25 Feet Long	1
34	58-00065-49	Grommet, 0.38 ID x 0.56 Hole, 0.12 Inch Groove	1
35	34-00373-07	Clamp, Tube, 5/8 Inch OD, With Neoprene Cushion, SST	4
36	22-01565-00	Connector, Male, 22 Pin	1
37	22-50078-09A	Lock, Secondary	2
38	34-00666-11	Nut, Hex, 1/4-20 Inch, SST	2
39	22-01565-01	Plug, Terminal Cavity	5
40	62-62041-06	Label, 24 VOLT	1
41	10-00315-00	Stud, Battery Connection, 3/8-16 x 2.07 Inches Long, Brass	1
42	34-62001-00	Washer, Nylon, Red	1
43	62-62041-04	Label, POS +	1
44	34-06095-01	Stud, Battery Connection, 3/8-16 x 2.25 Inches Long, Brass	1
45	34-00938-13	Washer, Lock, Internal Tooth, 3/8, Silicone Bronze	4
46	34-00879-03	Nut, Hex, Jam, 3/8-16, Brass	4
47	62-62041-05	Label, NEG -	1
48	44-00102-51	Clamp, Tube, 1/2 Inch OD, With Neoprene Cushion, SST	1
49	AC202-215	Tubing, Flexible, 3/4 Inch, Closed (25 Feet)	1
50	12-00352-00	Transducer, Pressure, Suction/Discharge	2
51	22-02448-00SV	Connector Package, Female - Includes:	2
52	NSS	Connector, Female, Black, 3 Pin	1
53	22-50078-76B	Terminal, Female (16-18 AWG)	3
54	22-50100-00	Terminal, Contact, Female	6
55	58-00850-00	Tubing, Split, Corrugated, 0.92 Inch ID x 75 Feet Long	1
56	62-62041-22	Label, ESR	1



2.3 Electrical Components - Models 68RM55-100-23, -25

Kit 68RM55-108-20



Item	Part Number	Description	Qty
1	68RM55-131-17	Panel Assembly, Electrical (See Section 3.3)	1
2	68RM55-209-12	Cable Assembly, Battery, Black x 26.50 Inches Long	1
3	68RM55-210-13	Cable Assembly, Battery, Red x 26.50 Inches Long	1
4	34-00373-03	Clamp, Tube, 3/8 Inch OD, With Neoprene Cushion, SST	1
5	66U1-3882	Wire Tie, Self-Locking, 7.00 Inches, Black	2
6	34-00655-06	Screw, Hex Head, 1/4-20 x 3/4 Inch Long, SST	18
7	34-00663-11	Washer, Split Lock, 1/4 Inch, SST	20
8	68RM35-267	Thermistor Assembly - Includes:	1
9	12-00495-02SV	Thermistor Kit, (Replacement For 12-00305-04)	1
10	22-02394-00	Seal, Cable	2
11	22-02393-01	Terminal, Male (18-20 AWG)	2
12	22-02302-03	Connector, Liquid Tight, Straight, 3/4 Inch	4
13	34-06212-12	Washer, Plain, 1/4 Inch, Type A, SST	15
14	68-62320-00	Cover, Relay Board, Painted	1

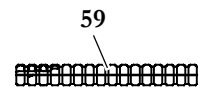
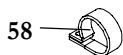
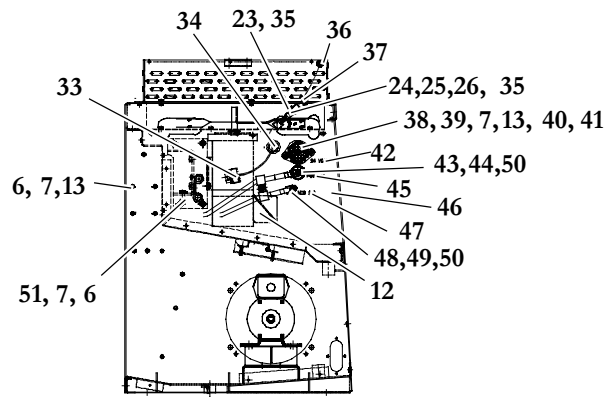
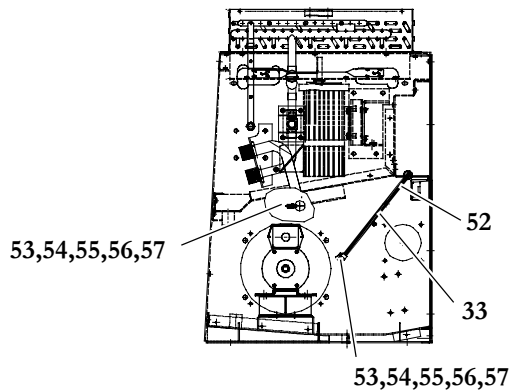
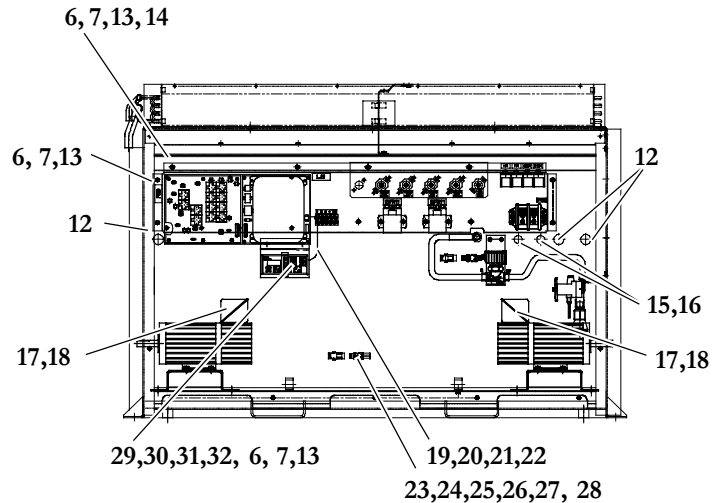
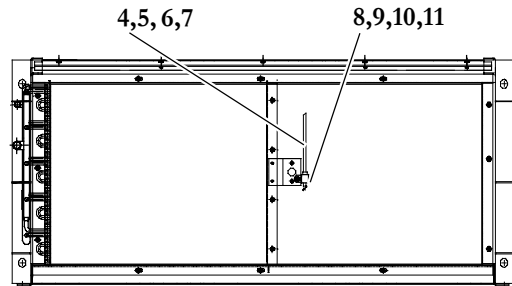
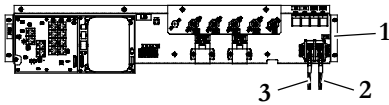


2.3 Electrical Components - Models 68RM55-100-23, -25 (Continued)			
Item	Part Number	Description	Qty
15	AC202-418	Connector, Liquid Tight, Straight (.230 - .546)	2
16	34-01268-01	Washer, Sealing, 1/2 Inch, Black	2
17	AC701-237	Connector, 1/2 Inch Romax	2
18	AC301-204	Hose, Valve, Kazoo, 1 Inch x 3 Inches	1
19	22-62063-00	Harness, A/C Control, 17.00 Inches Long - Includes:	1
20	22-62026-00	Connector, Plug, 6 Position	1
21	22-50145-00	Connector, Plug, 4 Position	1
22	22-50152-00	Terminal, Female Receptacle (16-26 AWG)	8
23	22-01585-00SV	Connector Assembly, Male, 2 Pin, Black	2
24	22-02392-00SV	Connector Kit, 2 Pin - Includes:	2
25	NSS	Connector, 2 Pin, Black	1
26	22-02393-00	Terminal, Male (14-16 AWG)	2
27	22-02394-01	Seal, Cable	2
28	22-02393-01	Terminal, Male (18-20 AWG)	2
29	12-00391-03	Module, Drivers Display (Micromate Control Panel)	1
30	68-62125-00	Clamp, Retaining, Temperature Module, Painted	1
31	68-62402-00	Bracket, Mounting, Drivers Display, Painted	1
32	34-00667-07	Nut, Hex, Self-Locking, #06-32, SST	1
33	58-00848-33	Tubing, Split, Corrugated, 1/2 Inch ID x 90.00 Inches Long	1
34	58-00065-85	Grommet, 0.88 ID x 1.12 Hole, 0.090 Inch Groove	1
35	58-00858-00	Tubing, Split, Corrugated, 1/4 Inch ID x 25 Feet Long	1
36	58-00065-49	Grommet, 0.38 ID x 0.56 Hole, 0.12 Inch Groove	1
37	34-00373-07	Clamp, Tube, 5/8 Inch OD, With Neoprene Cushion, SST	1
38	22-01565-00	Connector, Male, 22 Pin	1
39	22-50078-09A	Lock, Secondary	2
40	34-00666-11	Nut, Hex, 1/4-20 Inch, SST	2
41	22-01565-01	Plug, Terminal Cavity	5
42	62-62041-06	Label, 24 VOLT	1
43	10-00315-00	Stud, Battery Connection, 3/8-16 x 2.07 Inches Long, Brass	1
44	34-62001-00	Washer, Nylon, Red	1
45	62-62041-04	Label, POS +	1
46	58-00065-87	Grommet, 1.12 ID x 1.44 Hole, 0.156 Inch Groove	1
47	62-62041-05	Label, NEG -	1
48	34-06095-01	Stud, Battery Connection, 3/8-16 x 2.25 Inches Long, Brass	1
49	34-00938-13	Washer, Lock, Internal Tooth, 3/8, Silicone Bronze	4
50	34-00879-03	Nut, Hex, Jam, 3/8-16, Brass	4
51	34-00373-07	Clamp, Tube, 5/8 Inch OD, With Neoprene Cushion, SST	4



2.3 Electrical Components - Models 68RM55-100-23, -25 (Continued)

Kit 68RM55-108-20

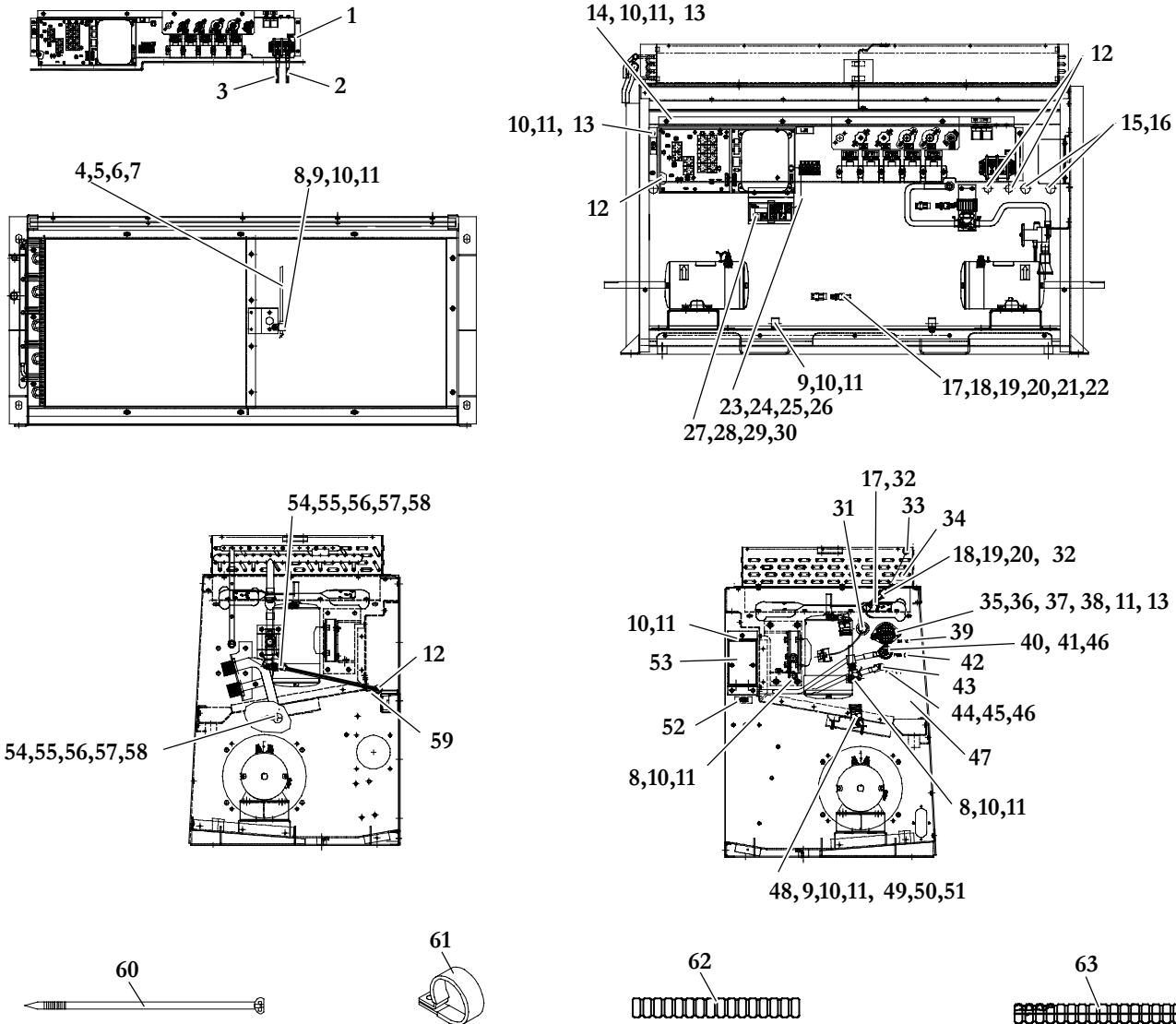


Item	Part Number	Description	Qty
52	AC202-215	Tubing, Flexible, 3/4 Inch, Closed (25 Feet)	1
53	12-00352-00	Transducer, Pressure, Suction/Discharge	2
54	22-02448-00SV	Connector Package, Female - Includes:	2
55	NSS	Connector, Female, Black, 3 Pin	1
56	22-50078-76B	Terminal, Female (16-18 AWG)	3
57	22-50100-00	Terminal, Contact, Female	6
58	34-00373-13	Clamp, Tube, 1.00 Inch OD, With Neoprene Cushion, SST	2
59	58-00850-00	Tubing, Split, Corrugated, 0.92 Inch ID x 75 Feet Long	1



2.4 Electrical Components - Model 68RM55-100-24

Kit 68RM55-108-22

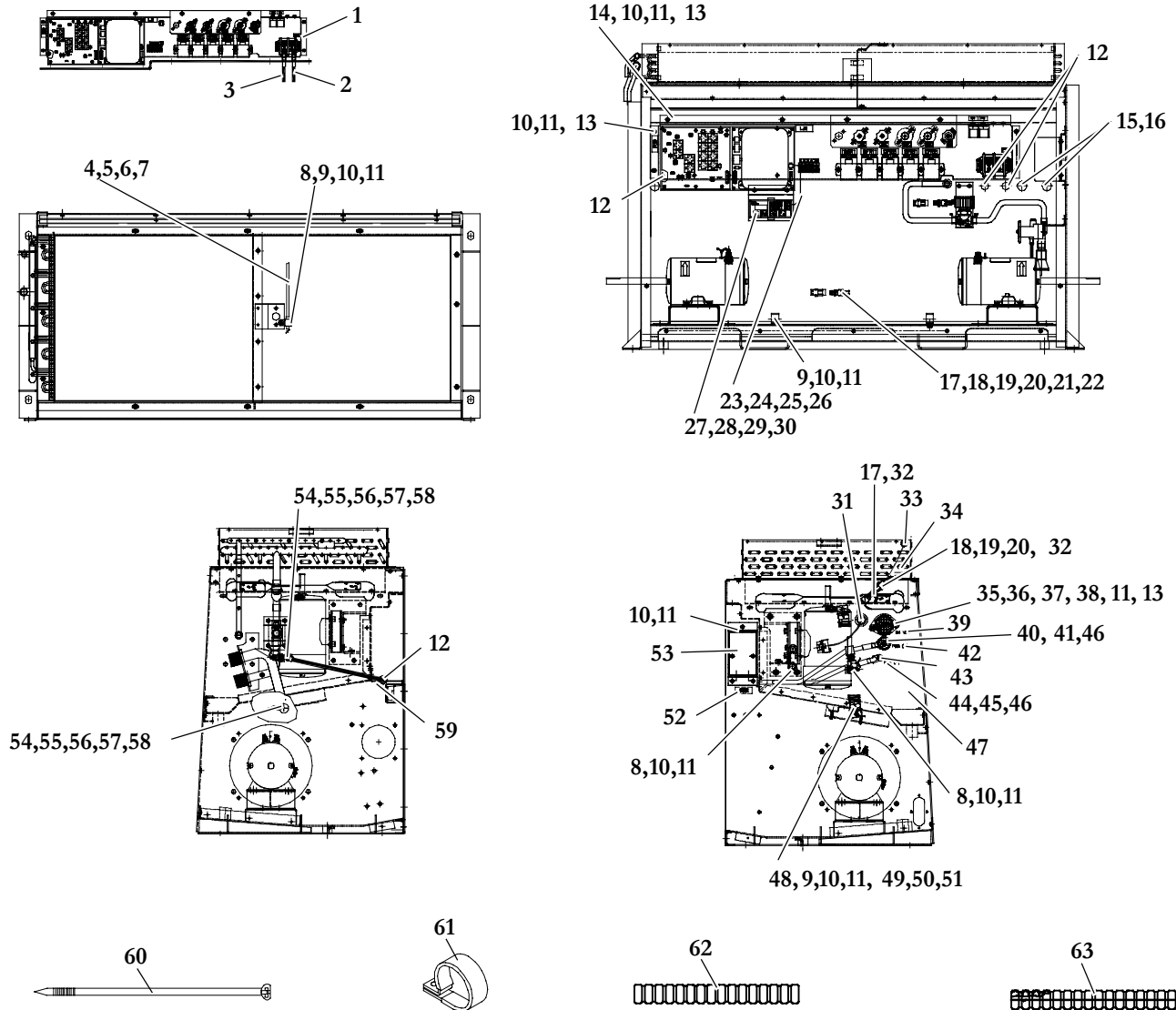


Item	Part Number	Description	Qty
1	68RM55-131-19	Panel Assembly, Electrical (See Section 3.6)	1
2	68RM55-209-12	Cable Assembly, Battery, Black x 26.50 Inches Long	1
3	68RM55-210-13	Cable Assembly, Battery, Red x 26.50 Inches Long	1
4	68RM35-267	Thermistor Assembly - Includes:	1
5	12-00495-02SV	Thermistor Kit, (Replacement For 12-00305-04)	1
6	22-02394-00	Seal, Cable	2
7	22-02393-01	Terminal, Male (18-20 AWG)	2
8	34-00373-07	Clamp, Tube, 5/8 Inch OD, With Neoprene Cushion, SST	4
9	34-00373-13	Clamp, Tube, 1.00 Inch OD, With Neoprene Cushion, SST	2
10	34-00655-06	Screw, Hex Head, 1/4-20 x 3/4 Inch Long, SST	18
11	34-00663-11	Washer, Split Lock, 1/4 Inch, SST	20
12	22-02302-03	Connector, Liquid Tight, Straight, 3/4 Inch	4
13	34-06212-12	Washer, Plain, 1/4 Inch, Type A, SST	12
14	68-62320-00	Cover, Relay Board, Painted	1



2.4 Electrical Components - Model 68RM55-100-24 (Continued)

Kit 68RM55-108-22



Item	Part Number	Description	Qty
15	AC202-418	Connector, Liquid Tight, Straight (.230 - .546)	2
16	34-01268-01	Washer, Sealing, 1/2 Inch, Black	2
17	22-01585-00SV	Connector Assembly, Male, 2 Pin, Black	2
18	22-02392-00SV	Connector Kit, 2 Pin - Includes:	2
19	NSS	Connector, 2 Pin, Black	1
20	22-02393-00	Terminal, Male (14-16 AWG)	2
21	22-02394-01	Seal, Cable	2
22	22-02393-01	Terminal, Male (18-20 AWG)	2

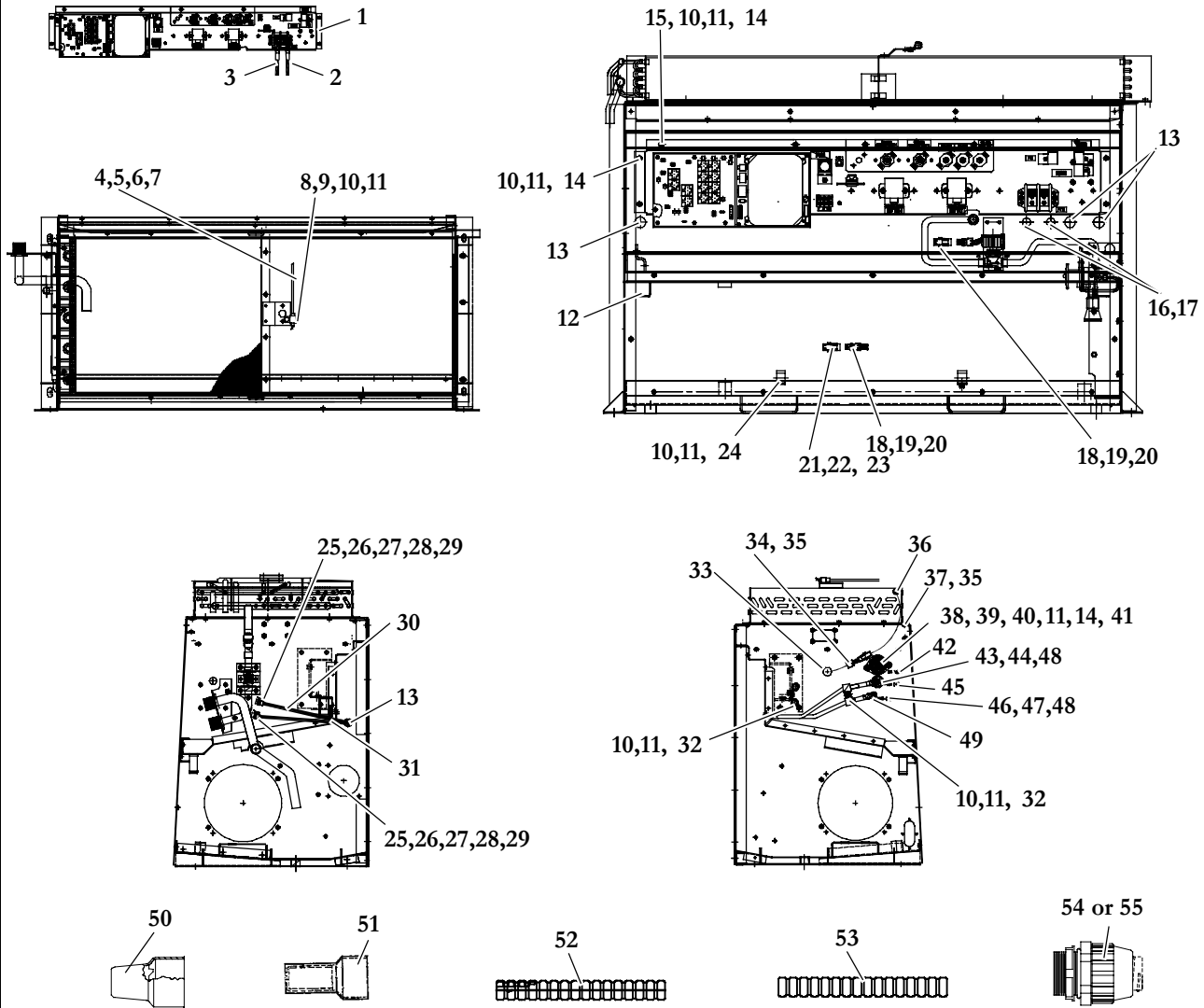


2.4 Electrical Components - Model 68RM55-100-24 (Continued)			
Item	Part Number	Description	Qty
23	22-62063-00	Harness, A/C Control, 17.00 Inches Long - Includes:	1
24	22-62026-00	Connector, Plug, 6 Position	1
25	22-50145-00	Connector, Plug, 4 Position	1
26	22-50152-00	Terminal, Female Receptacle (16-26 AWG)	8
27	12-00391-03	Module, Drivers Display (Micromate Control Panel)	1
28	68-62125-00	Clamp, Retaining, Temperature Module, Painted	1
29	68-62402-00	Bracket, Mounting, Drivers Display, Painted	1
30	34-00667-07	Nut, Hex, Self-Locking, #06-32, SST	1
31	58-00065-85	Grommet, 0.88 ID x 1.12 Hole, 0.090 Inch Groove	1
32	58-00858-00	Tubing, Split, Corrugated, 1/4 Inch ID x 25 Feet Long	1
33	58-00065-49	Grommet, 0.38 ID x 0.56 Hole, 0.12 Inch Groove	1
34	34-00373-07	Clamp, Tube, 5/8 Inch OD, With Neoprene Cushion, SST	1
35	22-01565-00	Connector, Male, 22 Pin	1
36	22-01565-01	Plug, Terminal Cavity	5
37	22-50078-09A	Lock, Secondary	2
38	34-00666-11	Nut, Hex, 1/4-20 Inch, SST	2
39	62-62041-06	Label, 24 VOLT	1
40	10-00315-00	Stud, Battery Connection, 3/8-16 x 2.07 Inches Long, Brass	1
41	34-62001-00	Washer, Nylon, Red	1
42	62-62041-04	Label, POS +	1
43	62-62041-05	Label, NEG -	1
44	34-06095-01	Stud, Battery Connection, 3/8-16 x 2.25 Inches Long, Brass	1
45	34-00938-13	Washer, Lock, Internal Tooth, 3/8, Silicone Bronze	4
46	34-00879-03	Nut, Hex, Jam, 3/8-16, Brass	4
47	58-00065-87	Grommet, 1.12 ID x 1.44 Hole, 0.156 Inch Groove	1
48	22-01584-00	Resistor, 420 Watts, With Mounting Brackets	1
49	34-06179-01	Screw, Cap, Hex Head Slotted, SEMS, #10-24 x 1/2 Inch Long, SST	2
50	34-00667-09	Nut, Hex, Self-Locking #10-24, SST	2
51	22-00872-01	Terminal, Ring, #10	2
52	62-62041-22	Label, ESR	1
53	58-00065-27	Grommet, 0.62 ID x 0.88 Hole, 0.12 Inch Groove	2
54	12-00352-00	Transducer, Pressure, Suction/Discharge	2
55	22-02448-00SV	Connector Package, Female - Includes:	2
56	NSS	Connector, Female, Black, 3 Pin	1
57	22-50078-76B	Terminal, Female (16-18 AWG)	3
58	22-50100-00	Terminal, Contact, Female	6
59	AC202-215	Tubing, Flexible, 3/4 Inch, Closed (25 Feet)	1
60	66U1-3882	Wire Tie, Self-Locking, 7.00 Inches, Black	2
61	34-00373-03	Clamp, Tube, 3/8 Inch OD, With Neoprene Cushion, SST	1
62	AC202-210	Tubing, Flexible, 1/2 Inch, Closed (25 Feet)	1
63	58-00850-00	Tubing, Split, Corrugated, 0.92 Inch ID x 75 Feet Long	1



2.5 Electrical Components - Models 68RM55-101-3, -5

Kit 68RM55-108-17



Item	Part Number	Description	Qty
1	68RM55-131-14	Panel Assembly, Electrical (See Section 3.4)	1
2	68RM55-209-12	Cable Assembly, Battery, Black x 26.50 Inches Long	1
3	68RM55-210-13	Cable Assembly, Battery, Red x 26.50 Inches Long	1
4	68RM35-267	Thermistor Assembly - Includes:	1
5	12-00495-02SV	Thermistor Kit, (Replacement For 12-00305-04)	1
6	22-02394-00	Seal, Cable	2
7	22-02393-01	Terminal, Male (18-20 AWG)	2
8	34-00373-03	Clamp, Tube, 3/8 Inch OD, With Neoprene Cushion, SST	1
9	66U1-3882	Wire Tie, Self-Locking, 7.00 Inches, Black	2
10	34-00655-06	Screw, Hex Head, 1/4-20 x 3/4 Inch Long, SST	11
11	34-00663-11	Washer, Split Lock, 1/4 Inch, SST	13
12	58-00065-87	Grommet, 1.12 ID x 1.44 Hole, 0.156 Inch Groove	1
13	22-02302-03	Connector, Liquid Tight, Straight, 3/4 Inch	4
14	34-06212-12	Washer, Plain, 1/4 Inch, Type A, SST	8

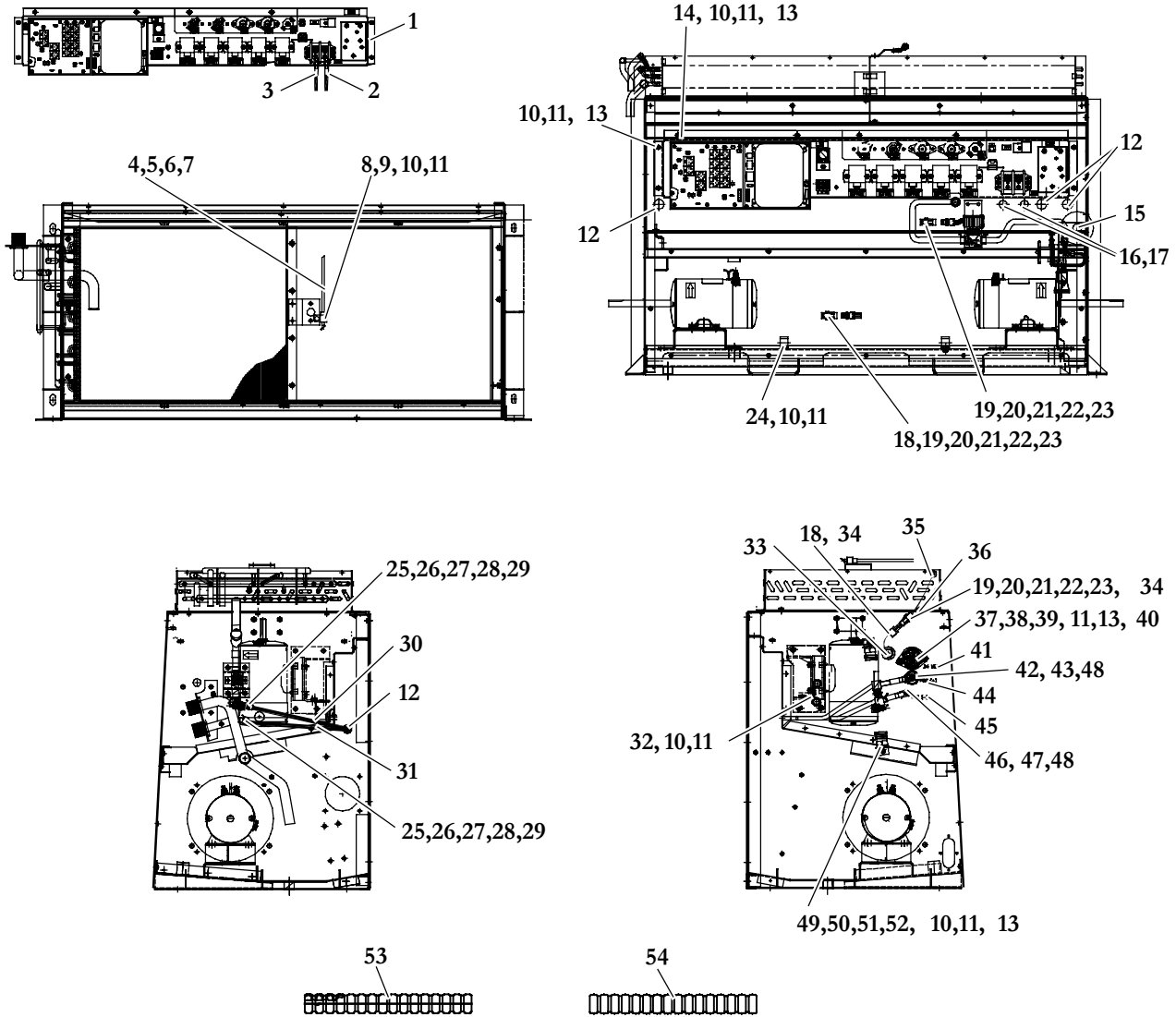


2.5 Electrical Components - Models 68RM55-101-3, -5 (Continued)			
Item	Part Number	Description	Qty
15	68-62320-00	Cover, Relay Board, Painted	1
16	AC202-418	Connector, Liquid Tight, Straight (.230 - .546)	2
17	34-01268-01	Washer, Sealing, 1/2 Inch, Black	2
18	22-02392-00SV	Connector Kit, 2 Pin - Includes:	2
19	NSS	Connector, 2 Pin, Black	1
20	22-02393-00	Terminal, Male (14-16 AWG)	2
21	22-01585-00SV	Connector Assembly, Male, 2 Pin, Black	2
22	22-02394-01	Seal, Cable	2
23	22-02393-01	Terminal, Male (18-20 AWG)	2
24	34-00373-13	Clamp, Tube, 1.00 Inch OD, With Neoprene Cushion, SST	2
25	12-00352-00	Transducer, Pressure, Suction/Discharge	2
26	22-02448-00SV	Connector Package, Female - Includes:	2
27	NSS	Connector, Female, Black, 3 Pin	1
28	22-50078-76B	Terminal, Female (16-18 AWG)	3
29	22-50100-00	Terminal, Contact, Female	6
30	58-00848-33	Tubing, Split, Corrugated, 1/2 Inch ID x 90.00 Inches Long	1
31	AC202-215	Tubing, Flexible, 3/4 Inch, Closed (25 Feet)	1
32	34-00373-07	Clamp, Tube, 5/8 Inch OD, With Neoprene Cushion, SST	4
33	58-00065-85	Grommet, 0.88 ID x 1.12 Hole, 0.090 Inch Groove	1
34	22-01585-00SV	Connector Assembly, Male, 2 Pin, Black	1
35	58-00858-00	Tubing, Split, Corrugated, 1/4 Inch ID x 25 Feet Long	1
36	58-00065-49	Grommet, 0.38 ID x 0.56 Hole, 0.12 Inch Groove	1
37	22-02393-00	Terminal, Male (14-16 AWG)	1
38	22-01565-00	Connector, Male, 22 Pin	1
39	22-50078-09A	Lock, Secondary	2
40	22-01565-01	Plug, Terminal Cavity	5
41	34-00666-11	Nut, Hex, 1/4-20 Inch, SST	2
42	62-62041-06	Label, 24 VOLT	1
43	10-00315-00	Stud, Battery Connection, 3/8-16 x 2.07 Inches Long, Brass	1
44	34-62001-00	Washer, Nylon, Red	1
45	62-62041-04	Label, POS +	1
46	34-06095-01	Stud, Battery Connection, 3/8-16 x 2.25 Inches Long, Brass	1
47	34-00938-13	Washer, Lock, Internal Tooth, 3/8, Silicone Bronze	4
48	34-00879-03	Nut, Hex, Jam, 3/8-16, Brass	4
49	62-62041-05	Label, NEG -	1
50	22-02126-03	Cap, Insulator, Electrical	8
51	AC201-217	Terminal, Connector, Closed End	8
52	58-00850-00	Tubing, Split, Corrugated, 0.92 Inch ID x 75 Feet Long	1
53	AC202-210	Tubing, Flexible, 1/2 Inch, Closed (25 Feet)	1
54	22-02302-02	Connector, Liquid Tight, Straight, 1/2 Inch	2
55	AC701-237	Connector, Romex, 1/2 Inch	2



2.6 Electrical Components - Model 68RM55-101-4

Kit 68RM55-108-18



Item	Part Number	Description	Qty
1	68RM55-131-15	Panel Assembly, Electrical (See Section 3.5)	1
2	68RM55-209-12	Cable Assembly, Battery, Black x 26.50 Inches Long	1
3	68RM55-210-13	Cable Assembly, Battery, Red x 26.50 Inches Long	1
4	68RM35-267	Thermistor Assembly - Includes:	1
5	12-00495-02SV	Thermistor Kit, (Replacement For 12-00305-04)	1
6	22-02394-00	Seal, Cable	2
7	22-02393-01	Terminal, Male (18-20 AWG)	2
8	34-00373-03	Clamp, Tube, 3/8 Inch OD, With Neoprene Cushion, SST	1
9	66U1-3882	Wire Tie, Self-Locking, 7.00 Inches, Black	2
10	34-00655-06	Screw, Hex Head, 1/4-20 x 3/4 Inch Long, SST	13
11	34-00663-11	Washer, Split Lock, 1/4 Inch, SST	15
12	22-02302-03	Connector, Liquid Tight, Straight, 3/4 Inch	4
13	34-06212-12	Washer, Plain, 1/4 Inch, Type A, SST	10
14	68-62320-00	Cover, Relay Board, Painted	1

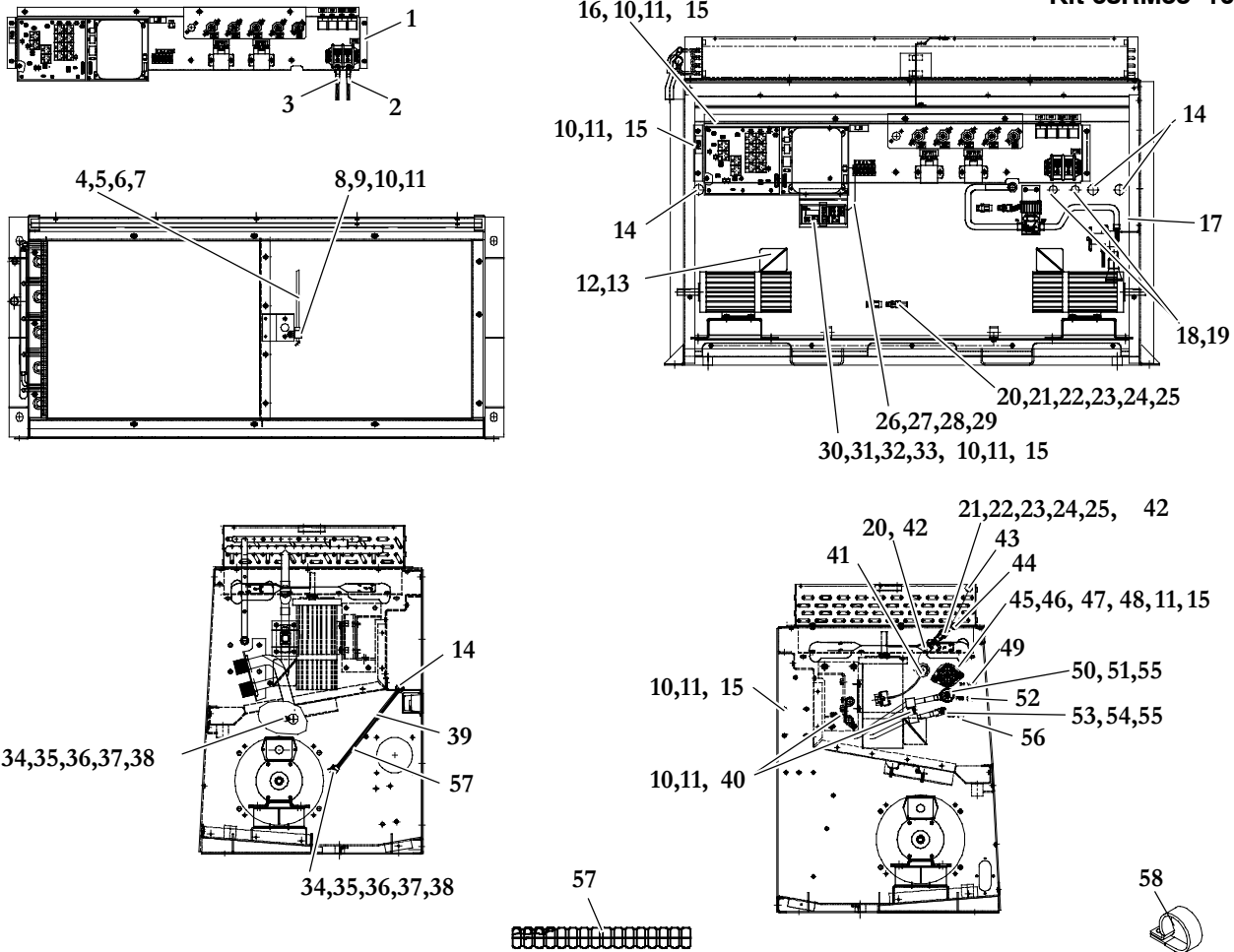


2.6 Electrical Components - Model 68RM55-101-4 (Continued)			
Item	Part Number	Description	Qty
15	58-00065-87	Grommet, 1.12 ID x 1.44 Hole, 0.156 Inch Groove	1
16	AC202-418	Connector, Liquid Tight, Straight (.230 - .546)	2
17	34-01268-01	Washer, Sealing, 1/2 Inch, Black	2
18	22-01585-00SV	Connector Assembly, Male, 2 Pin, Black	2
19	22-02392-00SV	Connector Kit, 2 Pin - Includes:	2
20	NSS	Connector, 2 Pin, Black	1
21	22-02393-00	Terminal, Male (14-16 AWG)	2
22	22-02394-01	Seal, Cable	2
23	22-02393-01	Terminal, Male (18-20 AWG)	2
24	34-00373-13	Clamp, Tube, 1.00 Inch OD, With Neoprene Cushion, SST	2
25	12-00352-00	Transducer, Pressure, Suction/Discharge	2
26	22-02448-00SV	Connector Package, Female - Includes:	2
27	NSS	Connector, Female, Black, 3 Pin	1
28	22-50078-76B	Terminal, Female (16-18 AWG)	3
29	22-50100-00	Terminal, Contact, Female	6
30	58-00848-33	Tubing, Split, Corrugated, 1/2 Inch ID x 90.00 Inches Long	1
31	AC202-215	Tubing, Flexible, 3/4 Inch, Closed (25 Feet)	1
32	34-00373-07	Clamp, Tube, 5/8 Inch OD, With Neoprene Cushion, SST	4
33	58-00065-85	Grommet, 0.88 ID x 1.12 Hole, 0.090 Inch Groove	1
34	58-00858-00	Tubing, Split, Corrugated, 1/4 Inch ID x 25 Feet Long	1
35	58-00065-49	Grommet, 0.38 ID x 0.56 Hole, 0.12 Inch Groove	1
36	44-00102-51	Clamp, Tube, 1/2 Inch OD, With Neoprene Cushion, SST	1
37	22-01565-00	Connector, Male, 22 Pin	1
38	22-01565-01	Plug, Terminal Cavity	5
39	22-50078-09A	Lock, Secondary	2
40	34-00666-11	Nut, Hex, 1/4-20 Inch, SST	2
41	62-62041-06	Label, 24 VOLT	1
42	10-00315-00	Stud, Battery Connection, 3/8-16 x 2.07 Inches Long, Brass	1
43	34-62001-00	Washer, Nylon, Red	1
44	62-62041-04	Label, POS +	1
45	62-62041-05	Label, NEG -	1
46	34-06095-01	Stud, Battery Connection, 3/8-16 x 2.25 Inches Long, Brass	1
47	34-00938-13	Washer, Lock, Internal Tooth, 3/8, Silicone Bronze	4
48	34-00879-03	Nut, Hex, Jam, 3/8-16, Brass	4
49	22-01584-00	Resistor, 420 Watts, With Mounting Brackets	1
50	34-06179-01	Screw, Cap, Hex Head Slotted, SEMS, #10-24 x 1/2 Inch Long, SST	2
51	34-00667-09	Nut, Hex, Self-Locking #10-24, SST	2
52	22-00872-01	Terminal, Ring, #10	2
53	58-00850-00	Tubing, Split, Corrugated, 0.92 Inch ID x 75 Feet Long	1
54	AC202-210	Tubing, Flexible, 1/2 Inch, Closed (25 Feet)	1



2.7 Electrical Components - Model 68RM55-101-6

Kit 68RM55-108-21



Item	Part Number	Description	Qty
1	68RM55-131-18	Panel Assembly, Electrical (See Section 3.3)	1
2	68RM55-209-12	Cable Assembly, Battery, Black x 26.50 Inches Long	1
3	68RM55-210-13	Cable Assembly, Battery, Red x 26.50 Inches Long	1
4	68RM35-267	Thermistor Assembly - Includes:	1
5	12-00495-02SV	Thermistor Kit, (Replacement For 12-00305-04)	1
6	22-02394-00	Seal, Cable	2
7	22-02393-01	Terminal, Male (18-20 AWG)	2
8	34-00373-03	Clamp, Tube, 3/8 Inch OD, With Neoprene Cushion, SST	1
9	66U1-3882	Wire Tie, Self-Locking, 7.00 Inches, Black	2
10	34-00655-06	Screw, Hex Head, 1/4-20 x 3/4 Inch Long, SST	18
11	34-00663-11	Washer, Split Lock, 1/4 Inch, SST	20
12	AC701-237	Connector, 1/2 Inch Romax	2
13	AC301-204	Hose, Valve, Kazoo, 1 Inch x 3 Inches	1
14	22-02302-03	Connector, Liquid Tight, Straight, 3/4 Inch	4
15	34-06212-12	Washer, Plain, 1/4 Inch, Type A, SST	15
16	68-62320-00	Cover, Relay Board, Painted	1

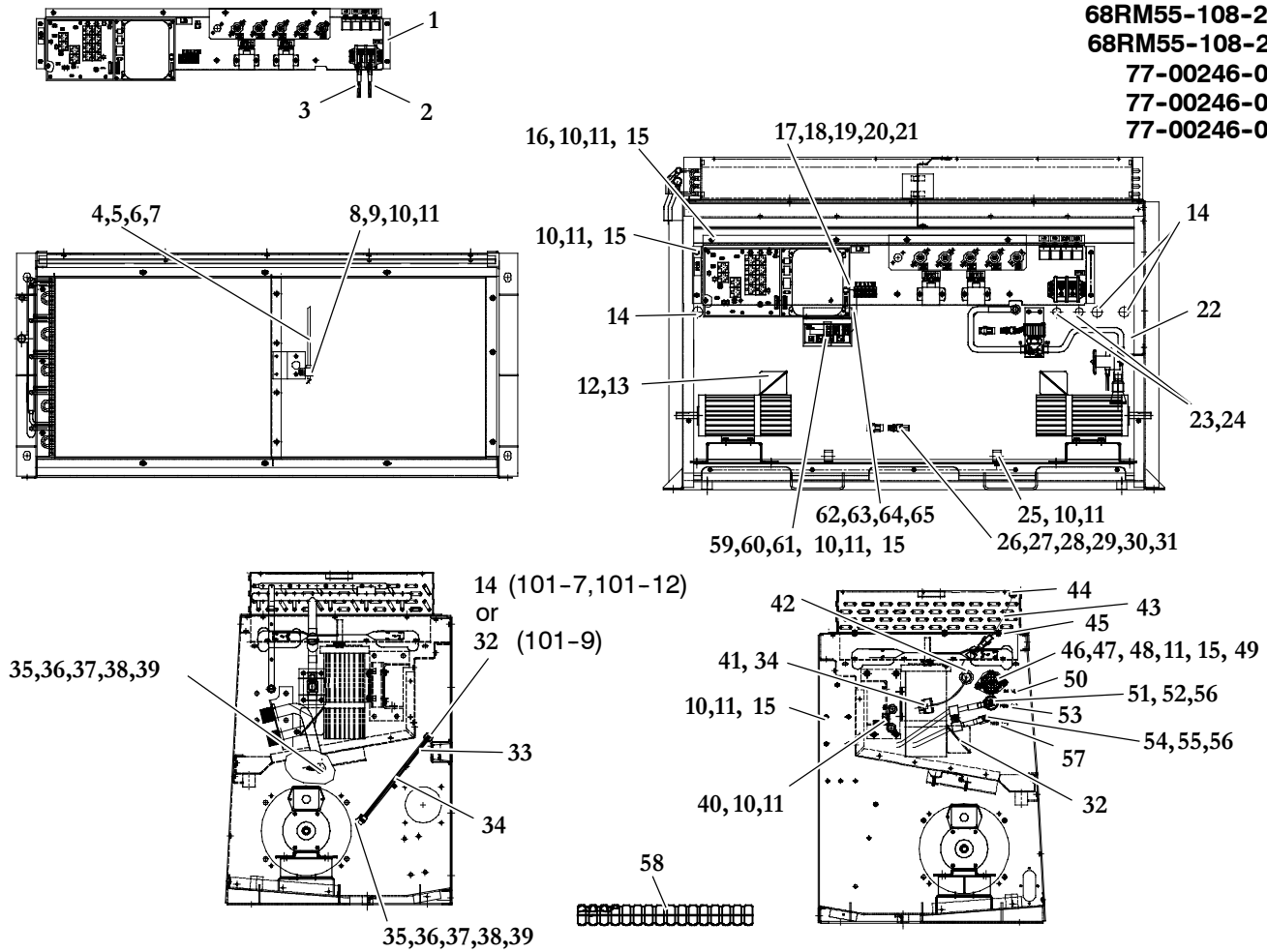


2.7 Electrical Components - Model 68RM55-101-6 (Continued)			
Item	Part Number	Description	Qty
17	58-00065-87	Grommet, 1.12 ID x 1.44 Hole, 0.156 Inch Groove	1
18	AC202-418	Connector, Liquid Tight, Straight (.230 - .546)	2
19	34-01268-01	Washer, Sealing, 1/2 Inch, Black	2
20	22-01585-00SV	Connector Assembly, Male, 2 Pin, Black	2
21	22-02392-00SV	Connector Kit, 2 Pin - Includes:	2
22	NSS	Connector, 2 Pin, Black	1
23	22-02393-00	Terminal, Male (14-16 AWG)	2
24	22-02394-01	Seal, Cable	2
25	22-02393-01	Terminal, Male (18-20 AWG)	2
26	22-62063-00	Harness, A/C Control, 17.00 Inches Long - Includes:	1
27	22-62026-00	Connector, Plug, 6 Position	1
28	22-50145-00	Connector, Plug, 4 Position	1
29	22-50152-00	Terminal, Female Receptacle (16-26 AWG)	8
30	12-00391-03	Module, Drivers Display (Micromate Control Panel)	1
31	68-62125-00	Clamp, Retaining, Temperature Module, Painted	1
32	68-62402-00	Bracket, Mounting, Drivers Display, Painted	1
33	34-00667-07	Nut, Hex, Self-Locking, #06-32, SST	1
34	12-00352-00	Transducer, Pressure, Suction/Discharge	2
35	22-02448-00SV	Connector Package, Female - Includes:	2
36	NSS	Connector, Female, Black, 3 Pin	1
37	22-50078-76B	Terminal, Female (16-18 AWG)	3
38	22-50100-00	Terminal, Contact, Female	6
39	AC202-215	Tubing, Flexible, 3/4 Inch, Closed (25 Feet)	1
40	34-00373-07	Clamp, Tube, 5/8 Inch OD, With Neoprene Cushion, SST	4
41	58-00065-85	Grommet, 0.88 ID x 1.12 Hole, 0.090 Inch Groove	1
42	58-00858-00	Tubing, Split, Corrugated, 1/4 Inch ID x 25 Feet Long	1
43	58-00065-49	Grommet, 0.38 ID x 0.56 Hole, 0.12 Inch Groove	1
44	34-00373-07	Clamp, Tube, 5/8 Inch OD, With Neoprene Cushion, SST	1
45	22-01565-00	Connector, Male, 22 Pin	1
46	22-01565-01	Plug, Terminal Cavity	5
47	22-50078-09A	Lock, Secondary	2
48	34-00666-11	Nut, Hex, 1/4-20 Inch, SST	2
49	62-62041-06	Label, 24 VOLT	1
50	10-00315-00	Stud, Battery Connection, 3/8-16 x 2.07 Inches Long, Brass	1
51	34-62001-00	Washer, Nylon, Red	1
52	62-62041-04	Label, POS +	1
53	34-06095-01	Stud, Battery Connection, 3/8-16 x 2.25 Inches Long, Brass	1
54	34-00938-13	Washer, Lock, Internal Tooth, 3/8, Silicone Bronze	4
55	34-00879-03	Nut, Hex, Jam, 3/8-16, Brass	4
56	62-62041-05	Label, NEG -	1
57	58-00850-00	Tubing, Split, Corrugated, 0.92 Inch ID x 75 Feet Long	1
58	34-00373-13	Clamp, Tube, 1.00 Inch OD, With Neoprene Cushion, SST	2



2.8 Electrical Components - Models 68RM55-101-7, -9, -12,-19, -20, -24

Kits 68RM55-108-23
 68RM55-108-25
 68RM55-108-28
 77-00246-03
 77-00246-04
 77-00246-07



Item	Part Number	Description	Qty
1	68RM55-131-18	Panel Assembly, Electrical (Models 101-7, -9) (See Section 3.3)	1
	68RM55-131-21	Panel Assembly, Electrical (Model 101-12 Only) (See Section 3.7)	
	91-01166-02	Panel Assembly, Electrical (Model 101-19, -24 Only) (See Section 3.7)	
	91-01166-03	Panel Assembly, Electrical (Model 101-20 Only) (See Section 3.7)	
2	68RM55-209-12	Cable Assembly, Battery, Black x 26.50 Inches Long	1
3	68RM55-210-13	Cable Assembly, Battery, Red x 26.50 Inches Long	1
4	68RM35-267	Thermistor Assembly - Includes:	1
5	12-00495-02SV	Thermistor Kit, (Replacement For 12-00305-04)	1
6	22-02394-00	Seal, Cable	2
7	22-02393-01	Terminal, Male (18-20 AWG)	2
8	34-00373-03	Clamp, Tube, 3/8 Inch OD, With Neoprene Cushion, SST	1
9	66U1-3882	Wire Tie, Self-Locking, 7.00 Inches, Black	2
10	34-00655-06	Screw, Hex Head, 1/4-20 x 3/4 Inch Long, SST	A/R
11	34-00663-11	Washer, Split Lock, 1/4 Inch, SST	A/R
12	AC301-204	Hose, Valve, Kazoo, 1 Inch x 3 Inches	1
13	AC701-237	Connector, 1/2 Inch Romax	2
14	22-02302-03	Connector, Liquid Tight, Straight, 3/4 Inch	A/R

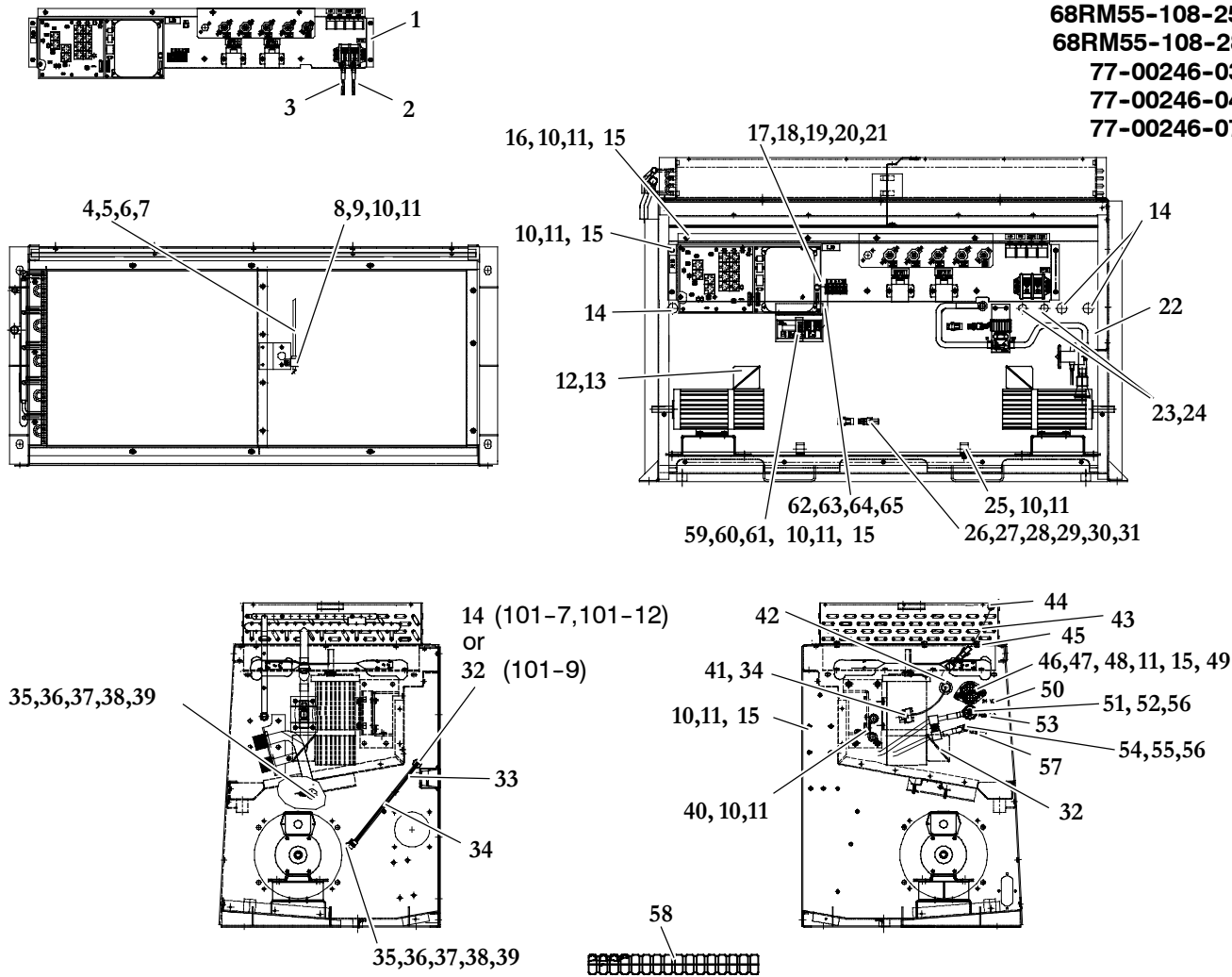


2.8 Electrical Components - Models 68RM55-101-7, -9, -12,-19, -20, -24 (Continued)			
Item	Part Number	Description	Qty
15	34-06212-12	Washer, Plain, 1/4 Inch, Type A, SST	A/R
16	68-62320-00	Cover, Relay Board, Painted	1
17	22-62089-00	Wire Harness, Remote NFI, 61.00 Inches Long (Model 101-9, -24 Only) - Includes:	1
18	22-50145-00	Connector, Plug, 4 Pin	1
19	22-50152-00	Terminal, Female Receptacle (16-26 AWG)	4
20	22-02394-02	Seal, Cable, Green (.06 - .08 Cable OD)	4
21	22-01566-01	Terminal, Female (18-20 AWG)	4
22	58-00065-87	Grommet, 1.12 ID x 1.44 Hole, 0.156 Inch Groove	1
23	AC202-418	Connector, Liquid Tight, Straight (.230 - .546)	2
24	34-01268-01	Washer, Sealing, 1/2 Inch, Black	2
25	34-00373-13	Clamp, Tube, 1.00 Inch OD, With Neoprene Cushion, SST	2
26	22-01585-00SK	Connector Assembly, Male, 2 Pin, Black	1
27	22-02392-00SV	Connector Kit, 2 Pin - Includes:	1
28	NSS	Connector, 2 Pin, Black	1
29	22-02393-00	Terminal, Male (14-16 AWG)	2
30	22-02394-01	Seal, Cable	2
31	22-02393-01	Terminal, Male (18-20 AWG)	2
32	22-02302-02	Connector, Liquid Tight, Straight, 1/2 Inch (Model 101-9, -24 Only)	1
33	AC202-215	Tubing, Flexible, 3/4 Inch, Closed (25 Feet)	1
34	58-00848-33	Tubing, Split, Corrugated, 1/2 Inch ID x 90.00 Inches Long (Model 101-9, -24 Only)	1
35	12-00352-00	Transducer, Pressure, Suction/Discharge	2
36	22-02448-00SV	Connector Package, Female - Includes:	2
37	NSS	Connector, Female, Black, 3 Pin	1
38	22-50078-76B	Terminal, Female (16-18 AWG)	3
39	22-50100-00	Terminal, Contact, Female	6
40	34-00373-07	Clamp, Tube, 1/2 Inch OD, With Neoprene Cushion, SST	4
41	22-01585-04	Connector, Male, 4 Pin, Black (Model 101-9, -24 Only)	1
42	58-00065-85	Grommet, 0.88 ID x 1.12 Hole, 0.090 Inch Groove	1
43	58-00858-00	Tubing, Split, Corrugated, 1/4 Inch ID x 25 Feet Long	1
44	58-00065-49	Grommet, 0.38 ID x 0.56 Hole, 0.12 Inch Groove	1
45	34-00373-07	Clamp, Tube, 5/8 Inch OD, With Neoprene Cushion, SST	1
46	22-01565-00	Connector, Male, 22 Pin	1
47	22-01565-01	Plug, Terminal Cavity	5
48	22-50078-09A	Lock, Secondary	2
49	34-00666-11	Nut, Hex, 1/4-20 Inch, SST	2
50	62-62041-06	Label, 24 VOLT	1
51	10-00315-00	Stud, Battery Connection, 3/8-16 x 2.07 Inches Long, Brass	1
52	34-62001-00	Washer, Nylon, Red	1
53	62-62041-04	Label, POS +	1
54	34-06095-01	Stud, Battery Connection, 3/8-16 x 2.25 Inches Long, Brass	1
55	34-00938-13	Washer, Lock, Internal Tooth, 3/8, Silicone Bronze	4
56	34-00879-03	Nut, Hex, Jam, 3/8-16, Brass	4
57	62-62041-05	Label, NEG -	1
58	58-00850-00	Tubing, Split, Corrugated, 0.92 Inch ID x 75 Feet Long	1



2.8 Electrical Components - Models 68RM55-101-7, -9, -12, -19, -20, -24 (Continued)

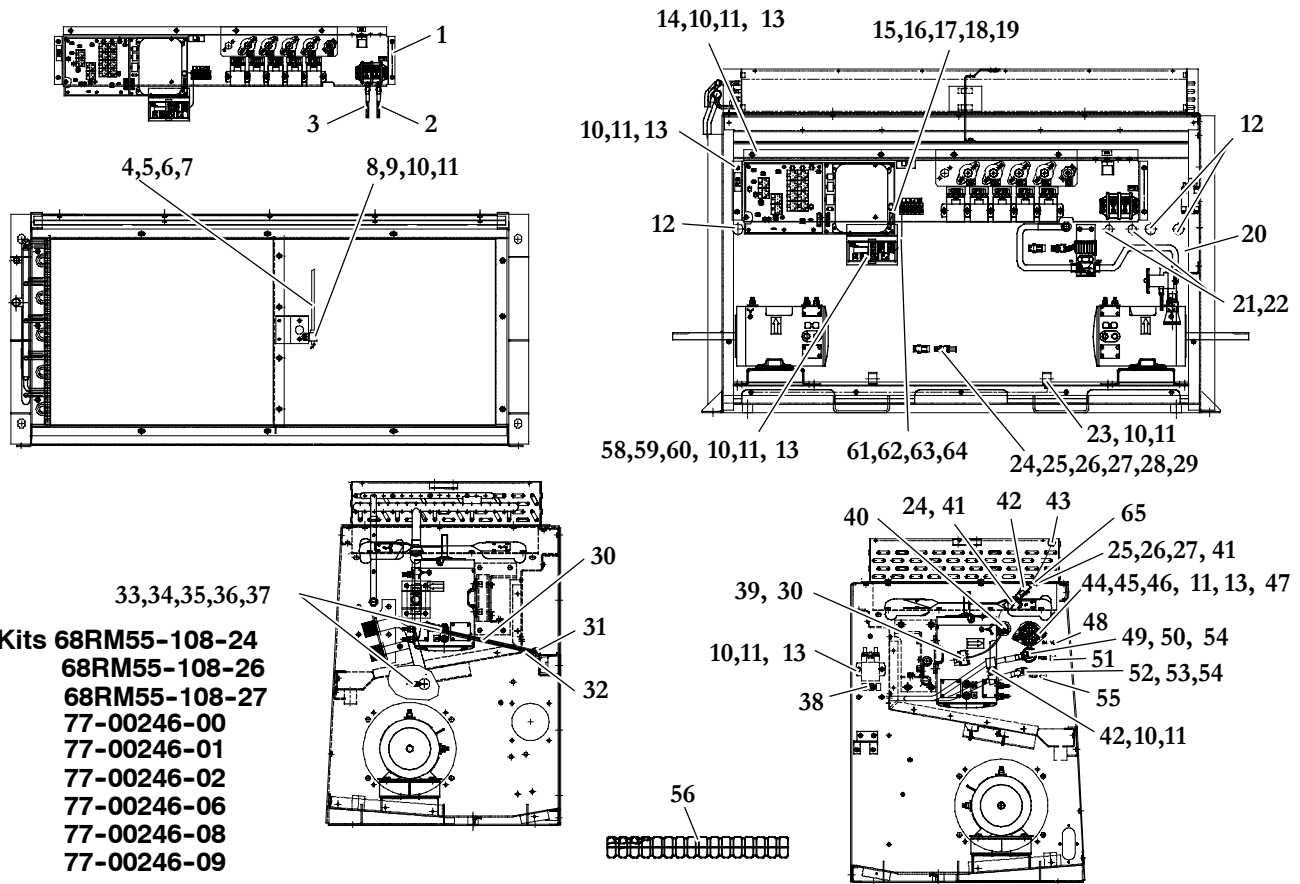
Kits 68RM55-108-23
 68RM55-108-25
 68RM55-108-28
 77-00246-03
 77-00246-04
 77-00246-07



Item	Part Number	Description	Qty
The following parts are included in Models 68RM55-101-7, -12, -19, -20, -24 only			
59	12-00391-03	Module, Drivers Display (Micromate Control Panel)	1
60	68-62125-00	Clamp, Retaining, Temperature Module, Painted	1
61	68-62402-00	Bracket, Mounting, Drivers Display, Painted	1
62	22-62063-00	Harness, A/C Control, 17.00 Inches Long - Includes:	1
63	22-62026-00	Connector, Plug, 6 Position	1
64	22-50145-00	Connector, Plug, 4 Position	1
65	22-50152-00	Terminal, Female Receptacle (16-26 AWG)	8
66	AC202-210	Tubing, Flexible, 1/2 Inch, Closed (25 Feet) Models 68RM55-101-9, -19, -20, -24 Only	1



2.9 Electrical Components - Models 68RM55-101-8, -10, -11, -15, -16, -17, -23, -25, -26

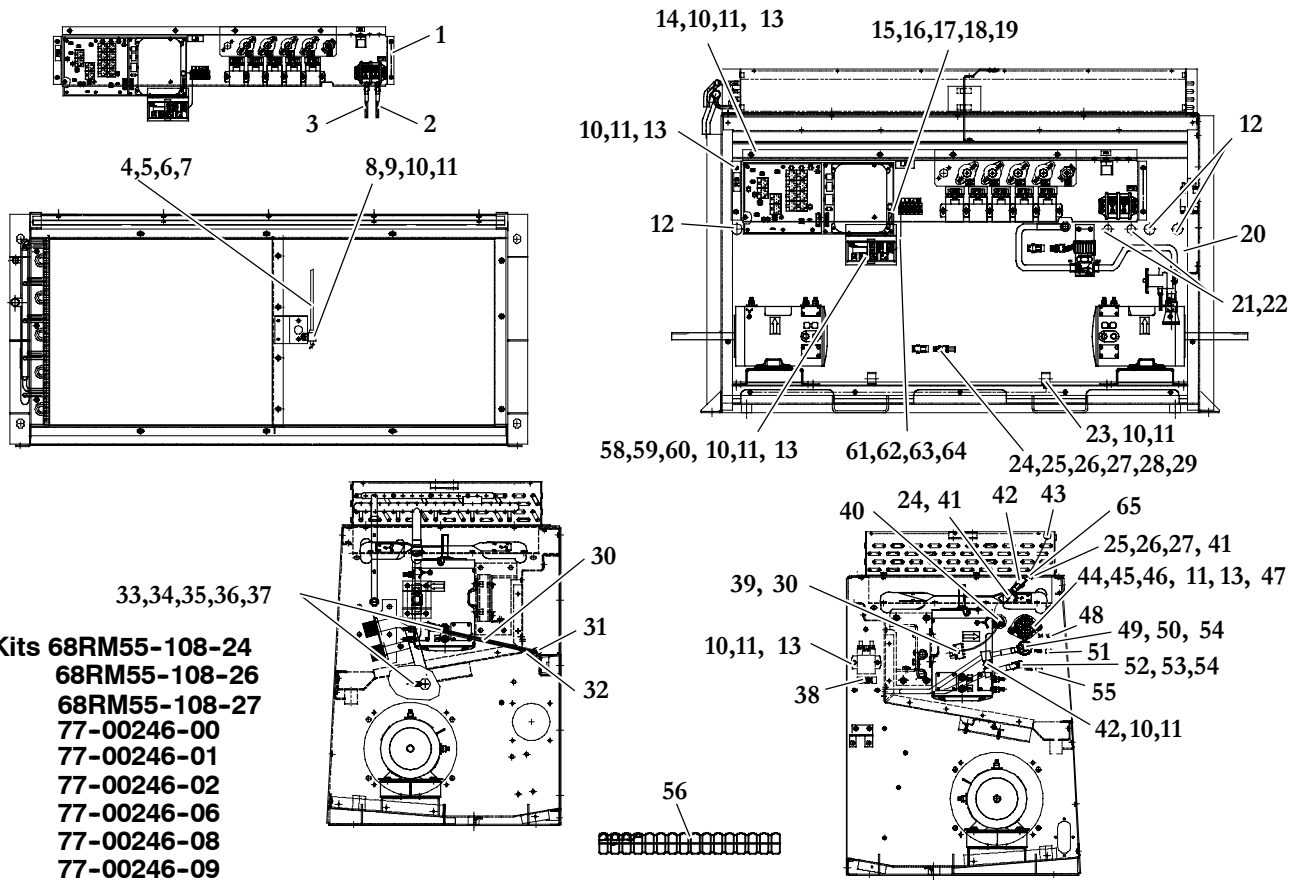


Kits 68RM55-108-24
68RM55-108-26
68RM55-108-27
77-00246-00
77-00246-01
77-00246-02
77-00246-06
77-00246-08
77-00246-09

Item	Part Number	Description	Qty
1	68RM55-131-16	Panel Assembly, Electrical (See Section 3.2) 68RM55-101-8, -10 Only	1
	68RM55-131-20	Panel Assembly, Electrical (See Section 3.2) 68RM55-101-11 Only	
	91-01166-00	Panel Assembly, Electrical (See Section 3.2) 68RM55-101-15, -16 Only	
	91-01166-01	Panel Assembly, Electrical (See Section 3.2) 68RM55-101-17 Only	
	91-01166-05	Panel Assembly, Electrical (See Section 3.2) 68RM55-101-23 Only	
	91-01166-06	Panel Assembly, Electrical (See Section 3.2) 68RM55-101-25 Only	
	91-01166-07	Panel Assembly, Electrical (See Section 3.2) 68RM55-101-26 Only	
2	68RM55-209-12	Cable Assembly, Battery, Black x 26.50 Inches Long	1
3	68RM55-210-13	Cable Assembly, Battery, Red x 26.50 Inches Long	1
4	68RM35-267	Thermistor Assembly - Includes:	1
5	12-00495-02SV	Thermistor Kit, (Replacement For 12-00305-04)	1
6	22-02394-00	Seal, Cable	2
7	22-02393-01	Terminal, Male (18-20 AWG)	2
8	34-00373-03	Clamp, Tube, 3/8 Inch OD, With Neoprene Cushion, SST	4
9	66U1-3882	Wire Tie, Self-Locking, 7.00 Inches, Black	2
10	34-00655-06	Screw, Hex Head, 1/4-20 x 3/4 Inch Long, SST	A/R
11	34-00663-11	Washer, Split Lock, 1/4 Inch, SST	A/R
12	22-02302-03	Connector, Liquid Tight, Straight, 3/4 Inch	A/R
13	34-06212-12	Washer, Plain, 1/4 Inch, Type A, SST	A/R
14	68-62320-00	Cover, Relay Board, Painted	1



2.9 Electrical Components - Models 68RM55-101-8, -10, -11, -15, -16, -17, -23, -25, -26 (Continued)



- Kits 68RM55-108-24
 68RM55-108-26
 68RM55-108-27
 77-00246-00
 77-00246-01
 77-00246-02
 77-00246-06
 77-00246-08
 77-00246-09

Item	Part Number	Description	Qty
15	22-62089-00	Wire Harness, Remote NFI, 61.00 Inches Long (101-8, -11, -17, -26 Only) - Includes:	1
16	22-50145-00	Connector, Plug, 4 Pin	1
17	22-50152-00	Terminal, Female Receptacle (16-26 AWG)	4
18	22-02394-02	Seal, Cable, Green (.06 - .08 Cable OD)	4
19	22-01566-01	Terminal, Female (18-20 AWG)	4
20	58-00065-87	Grommet, 1.12 ID x 1.44 Hole, 0.156 Inch Groove	1
21	AC202-418	Connector, Liquid Tight, Straight (.230 - .546)	2
22	34-01268-01	Washer, Sealing, 1/2 Inch, Black	2
23	34-00373-13	Clamp, Tube, 1.00 Inch OD, With Neoprene Cushion, SST	2
24	22-01585-00SV	Connector Assembly, Male, 2 Pin, Black	2
25	22-02392-00SV	Connector Kit, 2 Pin - Includes:	2
26	NSS	Connector, 2 Pin, Black	1
27	22-02393-00	Terminal, Male (14-16 AWG)	2
28	22-02394-01	Seal, Cable	2
29	22-02393-01	Terminal, Male (18-20 AWG)	2
30	58-00848-33	Tubing, Split, Corrugated, 1/2 Inch ID x 90.00 Inches Long (101-8, -11, -16, -17, -26 Only)	1
31	22-02302-02	Connector, Liquid Tight, Straight, 1/2 Inch (101-8, -11 Only)	1
32	AC202-215	Tubing, Flexible, 3/4 Inch, Closed (25 Feet)	1
33	12-00352-00	Transducer, Pressure, Suction/Discharge	2

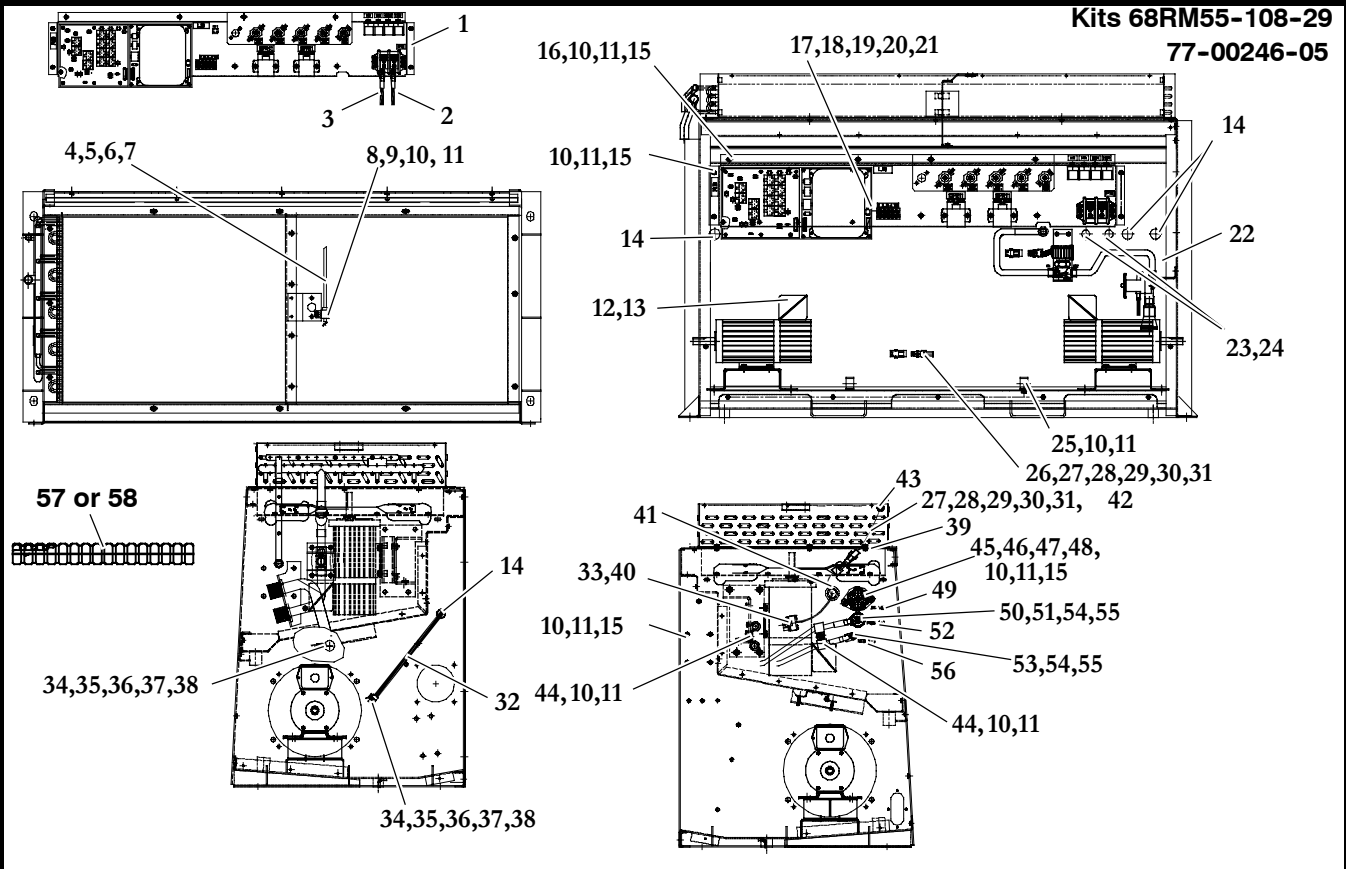


2.9 Electrical Components - Models 68RM55-101-8, -10, -11, -15, -16, -17, -23, -25, -26 (Continued)			
Item	Part Number	Description	Qty
34	22-02448-00SV	Connector Package, Female - Includes:	2
35	NSS	Connector, Female, Black, 3 Pin	1
36	22-50078-76B	Terminal, Female (16-18 AWG)	3
37	22-50100-00	Terminal, Contact, Female	6
38	62-62041-22	Label, ESR	1
39	22-01585-04	Connector, Male, 4 Pin, Black (101-8, -11 Only)	1
40	58-00065-85	Grommet, 0.88 ID x 1.12 Hole, 0.090 Inch Groove	1
41	58-00858-00	Tubing, Split, Corrugated, 1/4 Inch ID x 25 Feet Long	1
42	34-00373-07	Clamp, Tube, 5/8 Inch OD, With Neoprene Cushion, SST	5
43	58-00065-49	Grommet, 0.38 ID x 0.56 Hole, 0.12 Inch Groove	1
44	22-01565-00	Connector, Male, 22 Pin	1
45	22-01565-01	Plug, Terminal Cavity	5
46	22-50078-09A	Lock, Secondary	2
47	34-00666-11	Nut, Hex, 1/4-20 Inch, SST	2
48	62-62041-06	Label, 24 VOLT	1
49	10-00315-00	Stud, Battery Connection, 3/8-16 x 2.07 Inches Long, Brass	1
50	34-62001-00	Washer, Nylon, Red	1
51	62-62041-04	Label, POS +	1
52	34-06095-01	Stud, Battery Connection, 3/8-16 x 2.25 Inches Long, Brass	1
53	34-00938-13	Washer, Lock, Internal Tooth, 3/8, Silicone Bronze	4
54	34-00879-03	Nut, Hex, Jam, 3/8-16, Brass	4
55	62-62041-05	Label, NEG -	1
56	58-00850-00	Tubing, Split, Corrugated, 0.92 Inch ID x 75 Feet Long	1
57	AC202-210	Tubing, Flexible, 1/2 Inch, Closed (25 Feet) Models 68RM55-101-15, -16, -17, -23, -25, -26 only	1
The following parts are included in the 68RM55-101-8 only			
58	12-00391-03	Module, Drivers Display (Micromate Control Panel)	1
59	68-62125-00	Clamp, Retaining, Temperature Module, Painted	1
60	68-62402-00	Bracket, Mounting, Drivers Display, Painted	1
61	22-62063-00	Harness, A/C Control, 17.00 Inches Long - Includes:	1
62	22-62026-00	Connector, Plug, 6 Position	1
63	22-50145-00	Connector, Plug, 4 Position	1
64	22-50152-00	Terminal, Female Receptacle (16-26 AWG)	8
65	44-00102-51	Clamp, Tube, 0.50 Inch OD, With Neoprene Cushion, SST	1



2.10 Electrical Components - Model 68RM55-101-18, -21

Kits 68RM55-108-29
77-00246-05



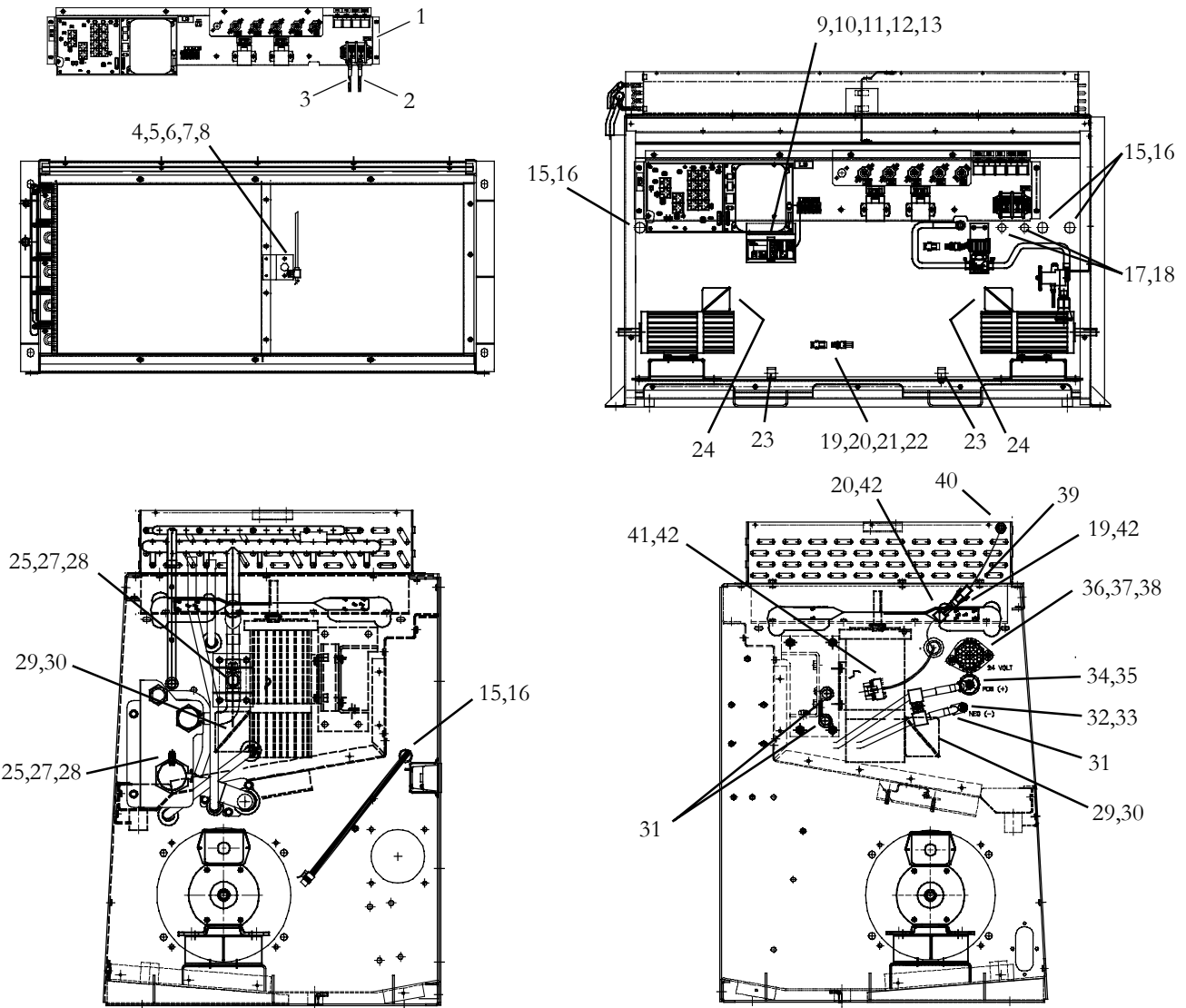
Item	Part Number	Description	Qty
1	68RM55-131-22	Panel Assembly, Electrical (Model 101-18 Only) (See Section 3.7)	1
	91-01166-04	Panel Assembly, Electrical (Model 101-21 Only) (See Section 3.7)	
2	68RM55-209-12	Cable Assembly, Battery, Black x 26.50 Inches Long	1
3	68RM55-210-13	Cable Assembly, Battery, Red x 26.50 Inches Long	1
4	68RM35-267	Thermistor Assembly - Includes:	1
5	12-00495-02SV	Thermistor Kit, (Replacement For 12-00305-04)	1
6	22-02394-00	Seal, Cable	2
7	22-02393-01	Terminal, Male (18-20 AWG)	2
8	34-00373-03	Clamp, Tube, 3/8 Inch OD, With Neoprene Cushion, SST	1
9	66U1-3882	Wire Tie, Self-Locking, 7.00 Inches, Black	2
10	34-00655-06	Screw, Cap, Hex Head, 1/4-20 x 3/4 Inch Long, SST	17
11	34-00663-11	Washer, Split Lock, 1/4 Inch, SST	17
12	AC301-204	Hose, Valve, Kazoo, 1 Inch x 3 Inches	1
13	AC701-237	Connector, 1/2 Inch Romax	2
14	22-02302-03	Connector, Liquid Tight, Straight, 3/4 Inch	4
15	34-06212-12	Washer, Plain, 1/4, Type A, SST	12
16	68-62320-00	Cover, Relay Board, Painted	1
17	22-62089-00	Wire Harness, Remote NFI, 61.00 Inches Long - Includes:	1
18	22-50145-00	Connector, Plug, 4 Pin	1
19	22-50152-00	Terminal, Female Receptacle (16-26 AWG)	4
20	22-02394-02	Seal, Cable, Green (.06 - .08 Cable OD)	4
21	22-01566-01	Terminal, Female (18-20 AWG)	4



2.10 Electrical Components - Model 68RM55-101-18, -21 (Continued)			
Item	Part Number	Description	Qty
22	58-00065-87	Grommet, 1.12 ID x 1.44 Hole, .156 Inch Groove	1
23	AC202-418	Connector, Liquid Tight, Straight (.230 - .546)	2
24	34-01268-01	Washer, Sealing, 1/2 Inch, Black	2
25	34-00373-13	Clamp, Tube, 1.00 Inch OD, With Neoprene Cushion, SST	2
26	22-01585-00SK	Connector Assembly, Male, 2 Pin, Black	2
27	22-02392-00SV	Connector Kit, 2 Pin - Includes:	2
28	NSS	Connector, 2 Pin, Black	1
29	22-02393-00	Terminal, Male (14-16 AWG)	2
30	22-02394-01	Seal, Cable	2
31	22-02393-01	Terminal, Male (18-20 AWG)	2
32	AC202-215	Tubing, Flexible, 3/4 Inch, Closed (25 Feet)	1
33	58-00848-00	Tubing, Split, Corrugated, 1/2 Inch ID x 25 Feet Long	1
34	12-00352-00	Transducer, Pressure, Suction/Discharge	2
35	22-02448-00SV	Connector Package, Female - Includes:	2
36	NSS	Connector, Female, Black, 3 Pin	1
37	22-50078-76B	Terminal, Female (16-18 AWG)	3
38	22-50100-00	Terminal, Contact, Female	6
39	44-00102-51	Clamp, Tube, 1/2 Inch OD, With Neoprene Cushion, SST	1
40	22-01585-04	Connector, Male, 4 Pin, Black	1
41	58-00065-85	Grommet, 0.88 ID x 1.12 Hole, .09 Inch Groove	1
42	58-00858-00	Tubing, Split, Corrugated, 1/4 Inch ID x 25 Feet Long	1
43	58-00065-49	Grommet, 0.38 ID x 0.56 Hole, .12 Inch Groove	1
44	34-00373-07	Clamp, Tube, 5/8 Inch OD, With Neoprene Cushion, SST	4
45	22-01565-00	Connector, Male, 22 Pin	1
46	22-01565-01	Plug, Terminal Cavity	4
47	22-50078-09A	Lock, Secondary	2
48	34-00666-11	Nut, Hex, 1/4-20	2
49	62-62041-06	Label, 24 VOLT	1
50	10-00315-00	Stud, Battery Connection, 3/8-16 x 2.07 Inches Long, Brass	1
51	34-62001-00	Washer, Nylon, Red	1
52	62-62041-04	Label, POS +	1
53	34-06095-01	Stud, Battery Connection, 3/8-16 x 2.25 Inches Long, Brass	1
54	34-00938-13	Washer, Lock, Internal Tooth, 3/8, Silicone Bronze	4
55	34-00879-03	Nut, Hex, Jam, 3/8-16, Brass	4
56	62-62041-05	Label, NEG -	1
57	58-00850-00	Tubing, Split, Corrugated, 0.92 Inch ID x 75 Feet Long	1
58	AC202-210	Tubing, Flexible, 1/2 Inch, Closed (25 Feet)	1



2.11 Electrical Components - Models Y13-R5501-00 & Y13-R5501-01



Item	Part Number	Description	Qty
1	Y25-00016-00	Panel Assembly, Electrical (See Section 3.8)	NSA
2	68RM55-209-12	Cable Assembly, Battery, Black	1
3	68RM55-210-13	Cable Assembly, Battery, Red	1
4	68RM35-267	Thermistor Assembly - Includes:	1
5	12-00495-02SV	Thermistor Kit, (Replacement For 12-00305-04)	1
6	22-02394-00	Seal, Cable	2
7	22-02393-01	Terminal, Male (18-20 AWG)	2
8	34-00373-07	Clamp, Tube	1
9	77-00275-00	Display Assembly, Y13-R5501-00 Only , Includes:	NSA
10	12-00391-03	Display Module	1
11	68-62125-00	Clamp, Retaining	1
12	68-62402-00	Bracket	1
13	22-62063-00	Harness, Control	1
14	77-00275-01	Display Assembly, Y13-R5501-01 Only, (See Sections 3.8.1 & 13)	NSA



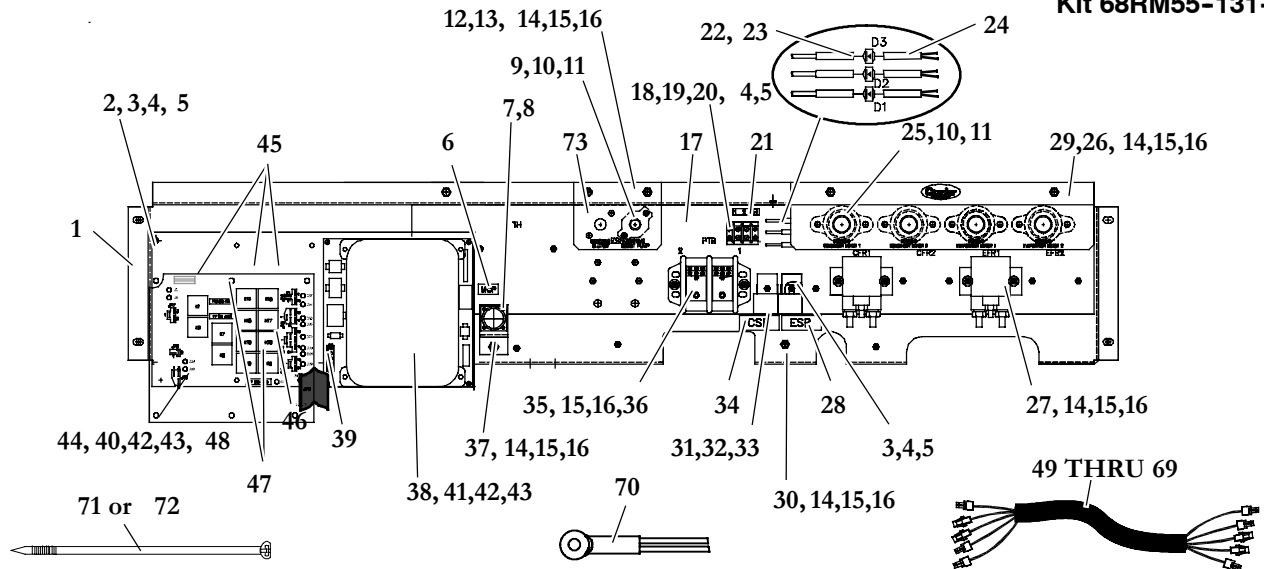
2.11 Electrical Components - Model Y13-R5501-00 & Y13-R5501-01 (Continued)			
Item	Part Number	Description	Qty
15	22-02302-03	Connector, 3/4 Straight (Conduit)	4
16	AC202-215	Tubing, Flexible, 3/4 Closed	A/R
17	AC202-418	Connector, Liquid Tight, Straight	2
18	34-01268-01	Washer, Sealing, 1/2 NPT Fitting	2
19	22-02392-00	Connector, Female 2 pin Weatherpac	2
20	22-01585-00	Connector, Male 2 pin Weatherpac	2
21	22-02394-00	Seal, .11-.14 Cable, Gray	2
22	22-02393-01	Terminal, Male 18-20 AWG	2
23	34-00373-13	Clamp, Tube, 1 in. Dia. Cushion	2
24	AC701-237	Connector, 3/8" Clamp Type	2
25	12-00352-00	Transducer	2
26	22-02448-00SV	Transducer Connector Package, Female, (Includes):	2
27	22-02448-00	Connector, Female, 3 Pin Environmental	2
28	22-62005-00	Terminal, .062 Push on Terminal	6
29	22-02302-02	Connector, 1/2" Straight Conduit	2
30	AC202-210	Tubing, Flexible	A/R
31	34-00373-07	Clamp, Tube, .62" Dia. Cushion (Battery Cables)	4
32	34-06095-01	Stud, 3/8" - 16 x 2.25"	1
33	34-00879-03	Nut, Jam, 3/8"-16	4
34	10-00315-00	Stud, 3/8" - 16 x 2.07"	1
35	34-62001-00	Washer, Nylon (Red)	1
36	22-01565-00	Connector, 22 Pin Male	1
37	22-50078-09A	Lock, Secondary, 22 Way Connector	2
38	22-01565-01	Plug, Terminal Cavity	2
39	44-00102-51	Clamp, Cushioned, 1/2" Dia.	1
40	58-00065-49	Grommet, .38" I.D.	1
41	22-01585-04	Connector, Male, 4 Pin Weatherpac	1
42	02-00137-03	Harness Tape, 38MM Width	A/R
43	AC301-204	Kazoo, Hose Valve	N/S
44	58-00065-85	Grommet, 1-1/8" Hole, 3/32" Groove	N/S



3 ELECTRICAL CONTROL PANELS

3.1 Electrical Control Panel - Model 68RM55-100-17

Kit 68RM55-131-12



Item	Part Number	Description	Qty
1	68-62084-00	Panel Assembly, Electrical, Painted	1
2	68RM40-157	Panel Assembly, Relay Board & Logic Module, Painted	1
3	34-06264-04	Screw, Hex Head Slotted, #8-32 x 1/2 Inch Long, SST	8
4	34-00662-08	Washer, Plain, #8, .032 Thick, SST	10
5	34-00663-08	Washer, Split Lock, #8, SST	10
6	62-62007-00	Label, MCP (Micromate Control Panel)	1
7	34-50048-00	Screw, Pan Head, Phillips, #6-32 x 1/2 Inch Long, SST	4
8	34-00667-07	Nut, Hex, Self-Locking #6-32, SST	4
9	10-00247-03	Breaker, Circuit - 15 AMP	1
10	34-06179-03	Bolt, Hex Head, Slotted, SEMS, #10-24 x 1.00 Inch Long, SST	10
11	34-00667-09	Nut, Hex, Self-Locking #10-24, SST	10
12	68RM35-1036P	Panel, Circuit Breaker	1
13	68RM35-1046	Label, Circuit Breaker	1
14	34-00655-06	Screw, Hex Head, 1/4-20 x 3/4 Inch Long, SST	10
15	34-00662-11	Washer, Plain, 1/4 Inch, SST	12
16	34-00663-11	Washer, Split Lock, 1/4 Inch, SST	12
17	62-62011-00	Label, Component Identification	1
18	22-01563-04	Terminal Block, 2 Poles	1
19	34-06264-06	Screw, Hex Head Slotted, #8-32 x 3/4 Inch Long, SST	2
20	22-01612-00	Jumper, Terminal Block	1
21	62-62040-02	Label, 1,2 TB	1
22	AC201-600	Diode, In-Line, 6 AMP	3
23	AC202-209	Tubing, Heat Shrink, 3/16, W/Adhesive	1
24	AC201-244	Terminal, Butt Connector, 14-16 AWG	6
25	10-00307-01	Breaker, Circuit - 60 AMP	4
26	68RM35-1037	Label, Circuit Breaker	1
27	10-00300-02	Contact, 28 VDC, SPNO	2
28	62-62041-22	Label, ESR	1

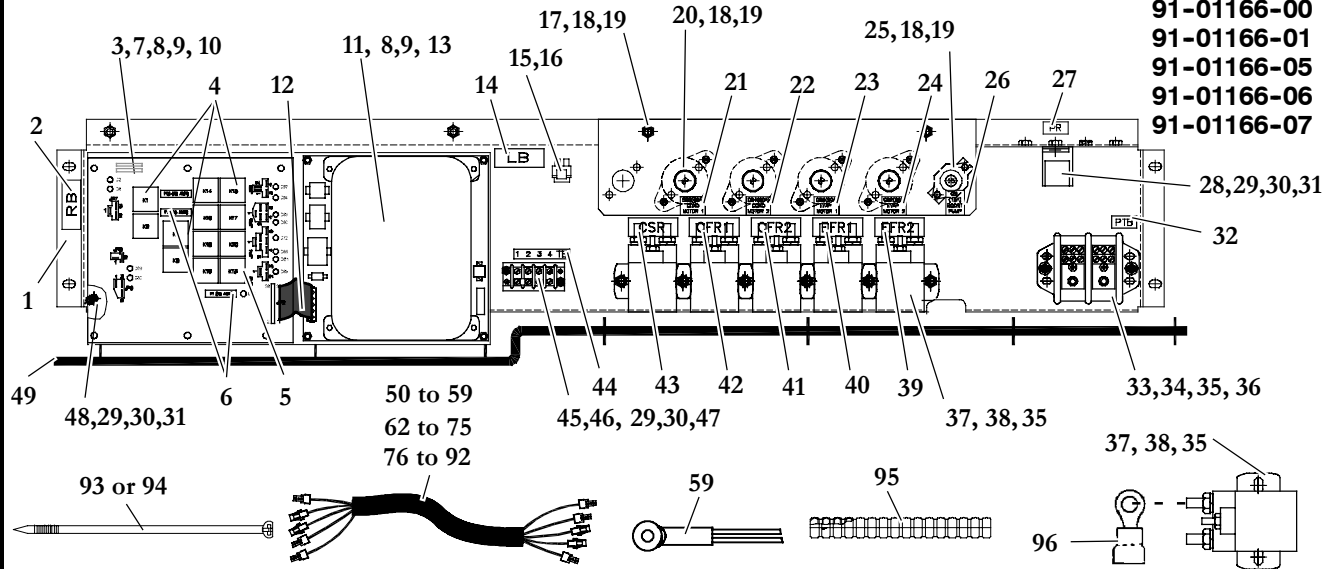


3.1 Electrical Control Panel - Model 68RM55-100-17 (Continued)			
Item	Part Number	Description	Qty
29	68RM35-1027P	Panel, Circuit Breaker, Painted	1
30	34-00373-03	Clamp, Tube, 3/8 OD, With Neoprene Cushion, SST	1
31	10-00286-09	Relay, SPDT, 24VDC	2
32	AC201-901	Connector, Relay Socket	2
33	AC201-931	Lock, Connector	2
34	62-62041-16	Label, CSR	1
35	22-01594-00	Terminal Block, Power	1
36	34-00655-08	Screw, Hex Head, 1/4-20 x 1.00 Inch Long, SST	2
37	68RM40-1356P	Bracket, Deutsch Connector, Painted	1
38	12-00392-15	Module, Logic Controller 24VDC (300 PSI) - Includes:	1
39	22-50236-00	Harness, Ribbon Cable, 26 Pin (Logic Module to Relay Board)	1
40	34-62000-00	Spacer, Nylon, .50 Inch Long	6
41	34-62000-01	Spacer, Nylon, .25 Inch Long	4
42	58-00511-08	Washer, Nylon	10
43	34-00360-09	Nut, Hex, Self-Locking #10-32, Zinc Plated	10
44	12-00371-01	Board, Relay - Includes:	1
45	10-00286-11	Relay, 24 VDC, 40 Amp, SPDT	11
46	10-00286-12	Relay, 24 VDC, 40 Amp, SPDT (K13 Only)	1
47	22-02336-06	Fuse, 15 AMP	3
48	42-62005-00	Gasket, Relay Board	1
49	68RM55-136-12	Wire Harness, Complete, H/C, R-22 Rotron Motors - Includes:	1
50	22-50144-00	Connector, 4 Position (J1)	1
51	22-50145-00	Connector, 4 Position (J2)	1
52	22-50146-00	Connector, 9 Position (J3)	1
53	22-50143-00	Connector, 15 Position (J4)	1
54	CM983-618	Connector, 24 Position (J6)	1
55	22-50135-00	Connector, Female, 3 Position (JP3) (JP7)	2
56	22-50136-00	Connector, Female, 6 Position (JP4)	1
57	22-50137-00	Connector, Female, 5 Position (JP5)	1
58	22-50138-00	Connector, Female, 4 Position (JP6)	1
59	22-50134-00	Connector, Female, 2 Position (JP8)	1
60	22-50275-00	Connector, Female, 3 Position (JP9)	1
61	22-01660-03	Connector, Deutsch, 5 Position (Service Port)	1
62	22-50153-00	Terminal, Socket, Female (J1)	3
63	22-50152-00	Terminal, Socket, Female (J2,J3,J4,J6)	23
64	22-50148-00	Terminal, Female (JP3 Thru JP9)	22
65	22-01613-14	Terminal, Deutsch, #16	4
66	22-01566-01	Terminal, Socket, Female (18-20 AWG)	22
67	22-02393-00	Terminal, Male (14-16 AWG)	2
68	AC201-225	Terminal, Female (14 AWG)	7
69	22-02394-02	Seal, Cable, Green	A/R
70	12-00495-02SV	Thermistor Kit, (Replacement For 12-00305-04)	1
71	66U1-3882	Wire Tie, Self-Locking, 7.00 Inches, Black	50
72	58-00079-00	Wire Tie, Self-Locking, 15.00 Inches, Black	3
73	68RM35-1258-1	Label, Instruction Cover	1



3.2 Electrical Control Panel - Models 68RM55-100-22, -101-8, -10, -11, -15, -16, -17, -23, -25, -26

Kit 68RM55-131-16
 68RM55-131-20
 91-01166-00
 91-01166-01
 91-01166-05
 91-01166-06
 91-01166-07



Item	Part Number	Description	Qty
1	68-62603-00	Panel Assembly, Electrical, Painted	1
2	62-62041-27	Label, RB	1
3	12-00371-01	Board, Relay - Includes:	1
4	10-00286-11	Relay, 24 VDC, 40 Amp, SPDT	11
5	10-00286-12	Relay, 24 VDC, 40 Amp, SPDT (K13 Only)	1
6	22-02336-06	Fuse, 15 AMP	3
7	34-62000-00	Spacer, Nylon, .50 Inch Long	6
8	58-00511-08	Washer, Nylon	10
9	34-00360-09	Nut, Hex, Self-Locking #10-32, Zinc Plated	10
10	42-62005-00	Gasket, Relay Board	1
11	12-00392-15	Module, Logic Controller 24VDC (300 PSI) -Includes:	1
12	22-50236-00	Harness, Ribbon Cable, 26 Pin (Logic Module to Relay Board)	1
13	34-62000-01	Spacer, Nylon, .25 Inch Long	4
14	62-62041-24	Label, LB	1
15	22-02336-04	Fuse, 10 AMP	1
16	22-01449-00	Clip, Wire & Cord	1
17	68-62604-00	Panel, Circuit Breaker, Painted	1
18	34-06179-03	Bolt, Hex Head, Slotted, SEMS, #10-24 x 1.00 Inch Long, SST	10
19	34-00667-09	Nut, Hex, Self-Locking #10-24, SST	10
20	10-00307-01	Breaker, Circuit - 60 AMP	4
21	62-62043-07	Label, CB5 (60 A) Cond. Motor 1	1
22	62-62043-05	Label, CB4 (60 A) Cond. Motor 2	1
23	62-62043-03	Label, CB3 (60 A) Evap. Motor 1	1
24	62-62043-01	Label, CB2 (60 A) Evap. Motor 2	1
25	10-00247-03	Breaker, Circuit - 15 AMP	1
26	62-62044-00	Label, CB1 (15 A) Boost Pump	1
27	62-62041-25	Label, PR	1



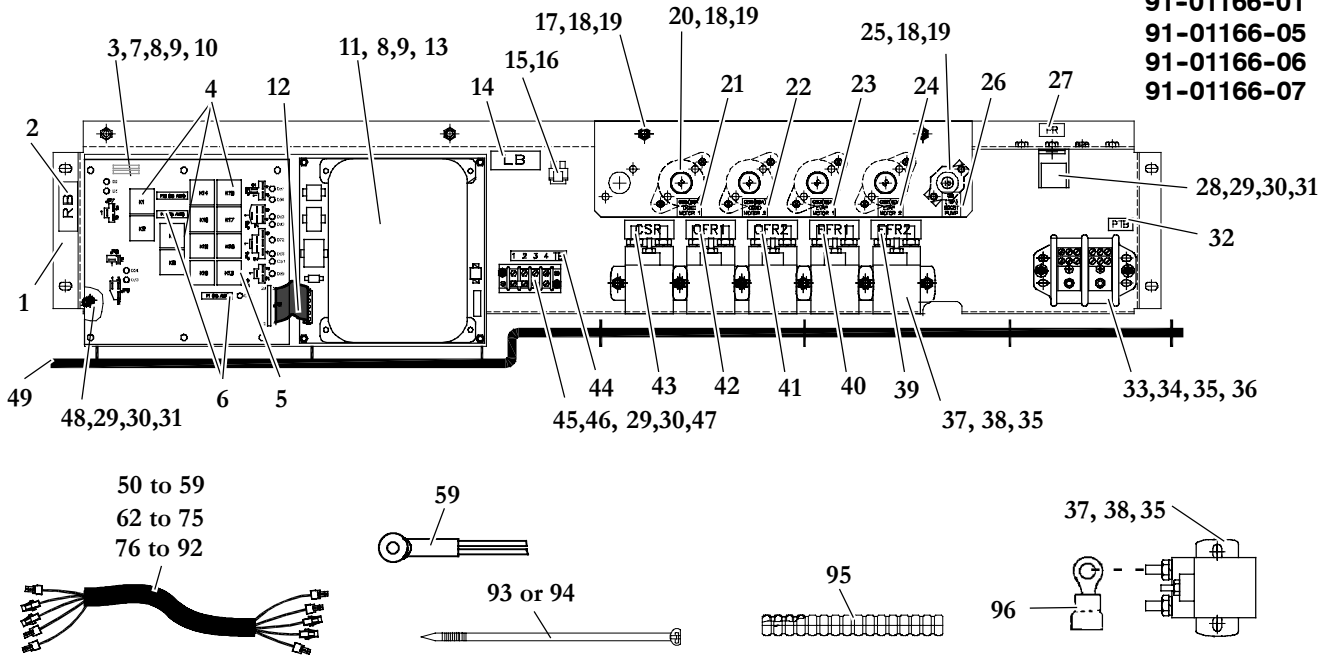
3.2 Electrical Control Panel - Models 68RM55-100-22, -101-8, -10, -11, -15, -16, -17, -23, -25, -26 (Continued)

Item	Part Number	Description	Qty
28	10-00286-09	Relay, SPDT, 24VDC	1
29	34-00662-08	Washer, Plain, #8, .032 Thick, SST	9
30	34-00663-08	Washer, Split Lock, #8, SST	9
31	34-06264-04	Screw, Hex Head Slotted, #8-32 x 1/2 Inch Long, SST	7
32	62-62041-26	Label, PTB	1
33	22-01594-00	Terminal Block, Power	1
34	34-00655-08	Screw, Hex Head, 1/4-20 x 1.00 Inch Long, SST	2
35	34-00662-11	Washer, Plain, 1/4 Inch, SST	10
36	34-00663-11	Washer, Split Lock, 1/4 Inch, SST	2
37	10-00300-02	Contactora, 28 VDC, SPNO	6
38	34-62055-00	Screw, Hex Head, W/Lockwasher, 1/4-20 x 0.63 Inch Long, SST	8
39	62-62041-21	Label, EFR2	1
40	62-62041-20	Label, EFR1	1
41	62-62041-13	Label, CFR2	1
42	62-62041-11	Label, CFR1	1
43	62-62041-16	Label, CSR	1
44	62-62040-04	Label, 1,2,3,4 TB	1
45	22-01563-05	Terminal Block, 4 Poles	1
46	22-01612-00	Jumper, Terminal Block	1
47	34-06264-06	Screw, Hex Head Slotted, #8-32 x 3/4 Inch Long, SST	2
48	68RM40-157	Panel Assembly, Relay Board & Logic Module, Painted	1
49	22-62087-00	Wire Harness, Power	1
50	22-62076-00	Wire Harness, Control (PM & WF)(100-20, 101-8, -10, -11, -15, -16, -17 Only) - Includes:	1
51	22-50144-00	Connector, Housing Kit, 4 Position (J1)	1
52	22-50153-00	Terminal, Socket, Female (J1)	4
53	CM983-618	Connector, 24 Position (J6)	1
54	22-50152-00	Terminal, Socket, Female (J6)	24
55	22-50135-00	Connector, Female, 3 Position (J7)	1
56	22-50148-00	Terminal, Female (J7, J8 & J9)	8
57	22-50134-00	Connector, Female, 2 Position (J8)	1
58	22-50275-00	Connector, Female, 3 Position (J9)	1
59	12-00495-02SV	Thermistor Kit, (Replacement For 12-00305-04)	1
50	22-02901-00	Wire Harness, Control (PM & WF)(101-23, -25, -26 Only) - Includes:	1
51	22-50144-00	Connector, Housing Kit, 4 Position (J1)	1
52	22-50153-00	Terminal, Socket, Female (J1)	4
53	CM983-618	Connector, 24 Position (J6)	1
54	22-50152-00	Terminal, Socket, Female (J6)	24
55	22-50135-00	Connector, Female, 3 Position (J7)	1
56	22-50148-00	Terminal, Female (J7, J8 & J9)	8
57	22-50134-00	Connector, Female, 2 Position (J8)	1
58	22-50275-00	Connector, Female, 3 Position (J9)	1
59	12-00495-02SV	Thermistor Kit, (Replacement For 12-00305-04)	1
60	22-02336-25	Fuse, 20 AMP (F14)	1
61	22-02338-03	Holder, Fuse, W/Cap (F14)	1



3.2 Electrical Control Panel - Models 68RM55-100-22, -101-8, -10, -11, -15, -16, -17, -23, -25, -26 (Continued)

Kit 68RM55-131-16
 68RM55-131-20
 91-01166-00
 91-01166-01
 91-01166-05
 91-01166-06
 91-01166-07



Item	Part Number	Description	Qty
62	22-62085-00	Wire Harness, Interface (100-22, 101-8, -10, -11, -23 Only) - Includes:	1
63	22-50146-00	Connector, 9 Position (J3)	1
64	22-50143-00	Connector, 15 Position (J4)	1
65	22-50152-00	Terminal, Socket, Female (J3 & J4)	7
66	22-50135-00	Connector, Female, 3 Position (JP3)	1
67	22-50136-00	Connector, Female, 6 Position (JP4)	1
68	22-50137-00	Connector, Female, 5 Position (JP5)	1
69	22-50138-00	Connector, Female, 4 Position (JP6)	1
70	22-50148-00	Terminal, Female (JP3, JP4, JP5 & JP6)	13
71	22-02392-00SV	Connector Kit, 2 Pin (WPF) - Includes:	1
72	NSS	Connector, 2 Pin, Black	1
73	22-02393-01	Terminal, Male (18-20 AWG)	2
74	22-02394-01	Seal, Cable	2
75	22-01566-01	Terminal, Socket, Female (18-20 AWG)	19

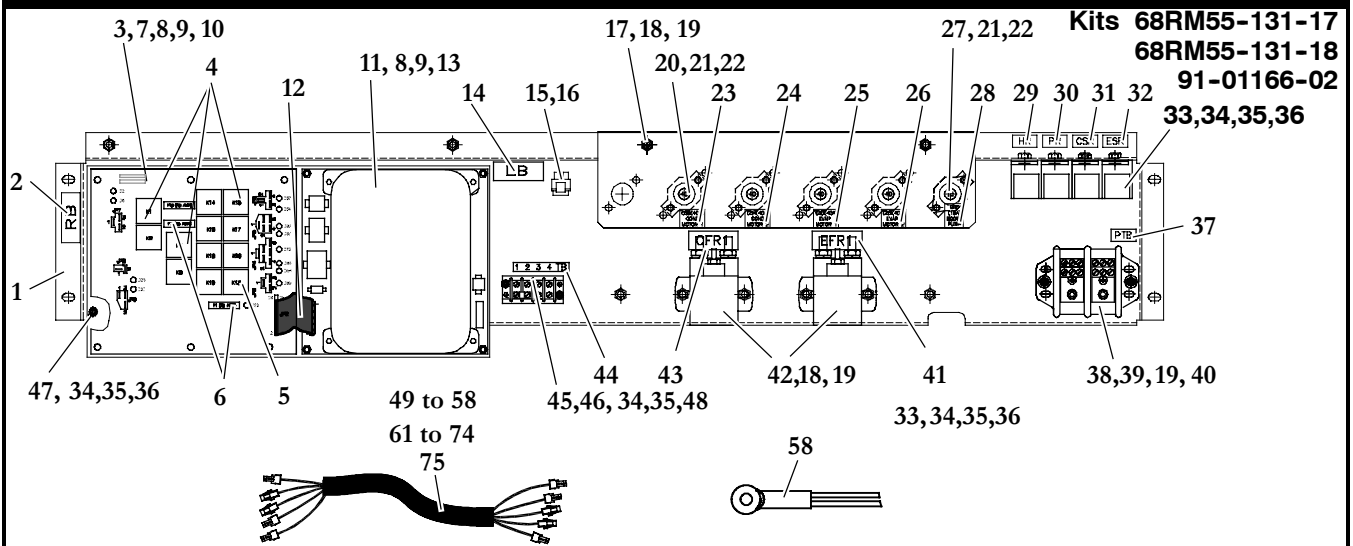


3.2 Electrical Control Panel - Models 68RM55-100-22, -101-8, -10, -11, -15, -16, -17, -23, -25, -26 (Continued)

Item	Part Number	Description	Qty
76	22-02870-00	Wire Harness, Interface (101-15, -16, -17, -25, -26 Only) - Includes:	1
77	22-50146-00	Connector, 9 Position (J3)	1
78	22-50143-00	Connector, 15 Position (J4)	1
79	22-50152-00	Terminal, Socket, Female (J3 & J4)	7
80	22-50135-00	Connector, Female, 3 Position (JP3)	1
81	22-50136-00	Connector, Female, 6 Position (JP4)	1
82	22-50137-00	Connector, Female, 5 Position (JP5)	1
83	22-50138-00	Connector, Female, 4 Position (JP6)	1
84	22-50148-00	Terminal, Female (JP3)	2
85	22-02392-00SV	Connector Kit, 2 Pin (WPF) - Includes:	1
86	NSS	Connector, 2 Pin, Black	1
87	22-02393-01	Terminal, Male (18-20 AWG)	2
88	22-02394-01	Seal, Cable	2
89	22-01566-01	Terminal, Socket, Female (18-20 AWG)	18
90	22-50346-00	Terminal, Socket, Female (JP4, JP5 & JP6)	9
91	22-50347-00	Terminal, Socket, Female (JP4 & JP5)	1
92	AC201-600	Diode, In-Line, 6 Amp (HR)	1
93	66U1-3882	Wire Tie, Self-Locking, 7.00 Inches, Black	40
94	58-00079-00	Wire Tie, Self-Locking, 15.00 Inches, Black	A/R
95	58-00850-00	Tubing, Split, Corrugated, 0.92 Inch ID x 75 Feet Long	1
96	22-00121-27	Terminal, Ring, #10, 22-16 AWG, Red Vinyl	2



3.3 Electrical Control Panel - Models 68RM55-100-23, -25, 101-6, -7, -9, -19, -24



Item	Part Number	Description	Qty
1	68-62603-00	Panel Assembly, Electrical, Painted	1
2	62-62041-27	Label, RB	1
3	12-00371-01	Board, Relay - Includes:	1
4	10-00286-11	Relay, 24 VDC, 40 Amp, SPDT	11
5	10-00286-12	Relay, 24 VDC, 40 Amp, SPDT (K13 Only)	1
6	22-02336-06	Fuse, 15 AMP	3
7	34-62000-00	Spacer, Nylon, .50 Inch Long	6
8	58-00511-08	Washer, Nylon	10
9	34-00360-09	Nut, Hex, Self-Locking #10-32, Zinc Plated	10
10	42-62005-00	Gasket, Relay Board	1
11	12-00392-15	Module, Logic Controller 24VDC (300 PSI) - Includes:	1
12	22-50236-00	Harness, Ribbon Cable, 26 Pin (Logic Module to Relay Board)	1
13	34-62000-01	Spacer, Nylon, .25 Inch Long	4
14	62-62041-24	Label, LB	1
15	22-02336-04	Fuse, 10 AMP	1
16	22-01449-00	Clip, Wire & Cord	1
17	68-62604-00	Panel, Circuit Breaker, Painted	1
18	34-62055-00	Screw, Hex Head, W/Lockwasher, 1/4-20 x 0.63 Inch Long, SST	6
19	34-00662-11	Washer, Plain, 1/4 Inch, SST	8
20	10-00247-05	Breaker, Circuit - 40 AMP	4
21	34-06179-03	Bolt, Hex Head, Slotted, SEMS, #10-24 x 1.00 Inch Long, SST	10
22	34-00667-09	Nut, Hex, Self-Locking #10-24, SST	10
23	62-62043-06	Label, CB5 (40 A) Cond. Motor 1	1
24	62-62043-04	Label, CB4 (40 A) Cond. Motor 2	1
25	62-62043-02	Label, CB3 (40 A) Evap. Motor 1	1
26	62-62043-00	Label, CB2 (40 A) Evap. Motor 2	1
27	10-00247-03	Breaker, Circuit - 15 AMP	1
28	62-62044-00	Label, CB1 (15 A) Boost Pump	1
29	62-62041-23	Label, HR	1
30	62-62041-25	Label, PR	1
31	62-62041-16	Label, CSR	1

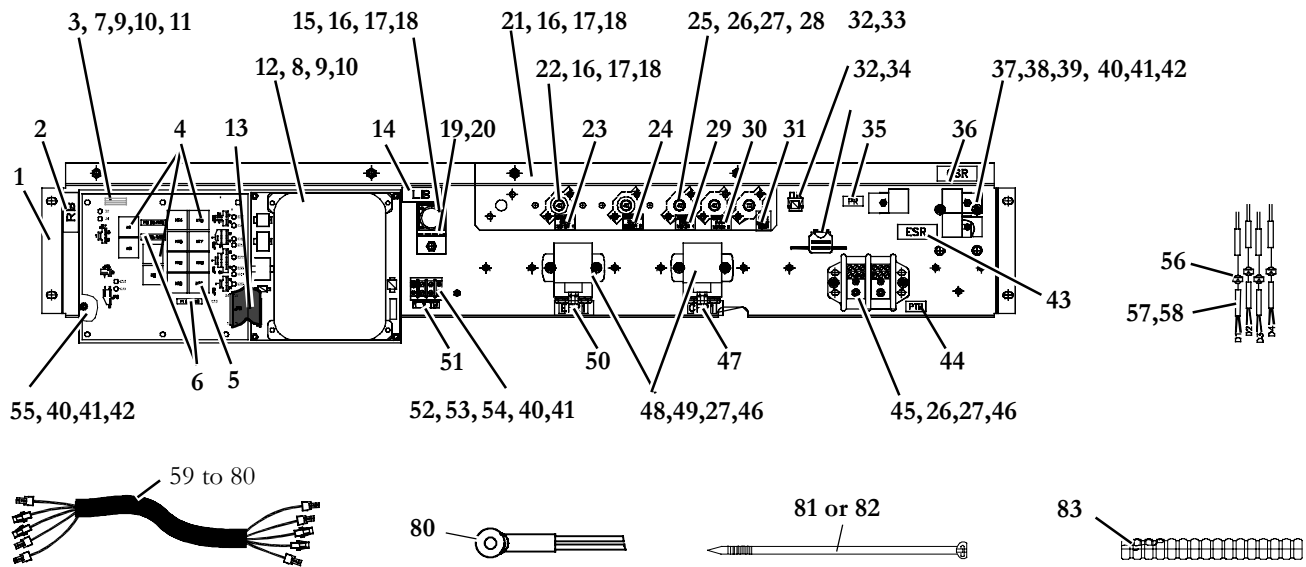


3.3 Electrical Control Panel - Models 68RM55-100-23, -25, 101-6, -7, -9, -19, -24 (Continued)			
Item	Part Number	Description	Qty
32	62-62041-22	Label, ESR	1
33	10-00286-09	Relay, SPDT, 24VDC	4
34	34-00662-08	Washer, Plain, #8, .032 Thick, SST	12
35	34-00663-08	Washer, Split Lock, #8, SST	12
36	34-06264-04	Screw, Hex Head Slotted, #8-32 x 1/2 Inch Long, SST	10
37	62-62041-26	Label, PTB	1
38	22-01594-00	Terminal Block, Power	1
39	34-00655-08	Screw, Hex Head, 1/4-20 x 1.00 Inch Long, SST	2
40	34-00663-11	Washer, Split Lock, 1/4 Inch, SST	2
41	62-62041-20	Label, EFRI	1
42	10-00300-02	Contact, 28 VDC, SPNO	2
43	62-62041-11	Label, CFR1	1
44	62-62040-04	Label, 1,2,3,4 TB	1
45	22-01563-05	Terminal Block, 4 Poles	1
46	22-01612-00	Jumper, Terminal Block	1
47	68RM40-157	Panel Assembly, Relay Board & Logic Module, Painted	1
48	34-06264-06	Screw, Hex Head Slotted, #8-32 x 3/4 Inch Long, SST	2
49	22-62077-00	Wire Harness, Control (PM & WF) - Includes:	1
	22-02894-00	Wire Harness, Control (Rotron)(Model 101-19) Only - Includes:	
50	22-50144-00	Connector, Housing Kit, 4 Position, (J1)	1
51	22-50153-00	Terminal, Socket, Female (J1)	4
52	CM983-618	Connector, 24 Position (J6)	1
53	22-50152-00	Terminal, Socket, Female (J6)	24
54	22-50135-00	Connector, Female, 3 Position (JP7)	1
55	22-50148-00	Terminal, Female (JP7, JP8 & JP9)	3
56	22-50134-00	Connector, Female, 2 Position (JP8)	1
57	22-50275-00	Connector, Female, 3 Position (JP9)	1
58	12-00495-02SV	Thermistor Kit, (Replacement For 12-00305-04)	1
59	22-50346-00	Terminal, Female (JP7 & JP9)	3
60	22-50347-00	Terminal, Female (JP7 & JP9)	4
61	22-62105-00	Wire Harness, Interface - Includes:	1
62	22-50146-00	Connector, 9 Position (J3)	1
63	22-50143-00	Connector, 15 Position (J4)	1
64	22-50152-00	Terminal, Socket, Female (J3 & J4)	7
65	22-50135-00	Connector, Female, 3 Position (JP3)	1
66	22-50136-00	Connector, Female, 6 Position (JP4)	1
67	22-50137-00	Connector, Female, 5 Position (JP5)	1
68	22-50138-00	Connector, Female, 4 Position (JP6)	1
69	22-50148-00	Terminal, Female (JP3, JP4, JP5 & JP6)	13
70	22-02392-00SV	Connector Kit, 2 Pin (WPF) - Includes:	1
71	NSS	Connector, 2 Pin, Black	1
72	22-02393-01	Terminal, Male (18-20 AWG)	2
73	22-02394-01	Seal, Cable	2
74	22-50122-05	Terminal, Female	6
75	22-62080-00	Wire Harness, Power	1



3.4 Electrical Control Panel - Models 68RM55-101-3, -5

Kit 68RM55-131-14



Item	Part Number	Description	Qty
1	68-62477-00	Panel Assembly, Electrical, Painted	1
2	62-62041-27	Label, RB	1
3	12-00371-01	Board, Relay - Includes:	1
4	10-00286-11	Relay, 24 VDC, 40 Amp, SPDT	11
5	10-00286-12	Relay, 24 VDC, 40 Amp, SPDT (K13 Only)	1
6	22-02336-06	Fuse, 15 AMP	3
7	34-62000-00	Spacer, Nylon, .50 Inch Long	6
8	34-62000-01	Spacer, Nylon, .25 Inch Long	4
9	58-00511-08	Washer, Nylon	10
10	34-00360-09	Nut, Hex, Self-Locking #10-32, Zinc Plated	10
11	42-62005-00	Gasket, Relay Board	1
12	12-00392-15	Module, Logic Controller 24VDC (300 PSI) - Includes:	1
13	22-50236-00	Harness, Ribbon Cable, 26 Pin (Logic Module to Relay Board)	1
14	62-62041-24	Label, LB	1
15	68RM40-1356P	Bracket, Deutsch Connector, Painted	1
16	34-00655-06	Screw, Hex Head, 1/4-20 x 3/4 Inch Long, SST	3
17	34-00662-11	Washer, Plain, 1/4 Inch, SST	3
18	34-00663-11	Washer, Split Lock, 1/4 Inch, SST	3
19	34-50048-00	Screw, Pan Head, Phillips, #6-32 x 1/2 Inch Long, SST	4
20	34-00667-07	Nut, Hex, Self-Locking #6-32, SST	4
21	68RM55-1028P	Panel, Circuit Breaker, Painted	1
22	10-00247-05	Breaker, Circuit - 40 AMP	4
23	62-62043-06	Label, CB5 (40 A) Cond. Motor 1	1
24	62-62043-04	Label, CB4 (40 A) Cond. Motor 2	1



3.4 Electrical Control Panel - Models 68RM55-101-3, -5 (Continued)			
Item	Part Number	Description	Qty
25	10-00247-03	Breaker, Circuit - 15 AMP	1
26	34-06179-03	Bolt, Hex Head, Slotted, SEMS, #10-24 x 1.00 Inch Long, SST	12
27	34-00662-09	Washer, Plain, #10, .032 Thick, SST	16
28	34-00667-09	Nut, Hex, Self-Locking #10-24, SST	10
29	62-62043-02	Label, CB3 (40 A) Evap. Motor 1	1
30	62-62043-00	Label, CB2 (40 A) Evap. Motor 2	1
31	62-62044-00	Label, CB1 (15 A) Boost Pump	1
32	22-02336-04	Fuse, 10 AMP	2
33	22-01449-00	Clip, Wire & Cord	1
34	22-02338-02	Holder, Fuse	1
35	62-62041-25	Label, PR	1
36	62-62041-16	Label, CSR	1
37	10-00286-09	Relay, SPDT, 24VDC	3
38	AC201-931	Lock, Connector	3
39	AC201-901	Connector, Relay Socket	3
40	34-00662-08	Washer, Plain, #8, .032 Thick, SST	11
41	34-00663-08	Washer, Split Lock, #8, SST	11
42	34-06264-04	Screw, Hex Head Slotted, #8-32 x 1/2 Inch Long, SST	9
43	62-62041-22	Label, ESR	1
44	62-62041-26	Label, PTB	1
45	22-01594-00	Terminal Block, Power	1
46	34-00663-09	Washer, Split Lock, #10, SST	6
47	62-62041-11	Label, CFR1	1
48	10-00300-02	Contact, 28 VDC, SPNO	2
49	34-06179-01	Bolt, Hex Head, Slotted, SEMS, #10-24 x .50 Inch Long, SST	4
50	62-62041-20	Label, EFR1	1
51	62-62040-02	Label, 1,2 TB	1
52	22-01563-04	Terminal Block, 2 Poles	1
53	22-01612-00	Jumper, Terminal Block	1
54	34-06264-06	Screw, Hex Head Slotted, #8-32 x 3/4 Inch Long, SST	2
55	68RM40-157	Panel Assembly, Relay Board & Logic Module, Painted	1
56	AC201-600	Diode, In-Line, 6 AMP	5
57	AC201-244	Terminal, Butt Connector, 14-16 AWG	10
58	AC202-209	Tubing, Heat Shrink, 3/16, W/Adhesive	3
59	22-62055-00	Wire Harness, Complete, R-134a Rotron Motors - Includes:	1
60	22-50144-00	Connector, 4 Position (J1)	1
61	22-50145-00	Connector, 4 Position (J2)	1
62	22-50146-00	Connector, 9 Position (J3)	1
63	22-50143-00	Connector, 15 Position (J4)	1
64	CM983-618	Connector, 24 Position (J6)	1
65	22-50135-00	Connector, Female, 3 Position (JP3) (JP7)	2
66	22-50136-00	Connector, Female, 6 Position (JP4)	1
67	22-50137-00	Connector, Female, 5 Position (JP5)	1

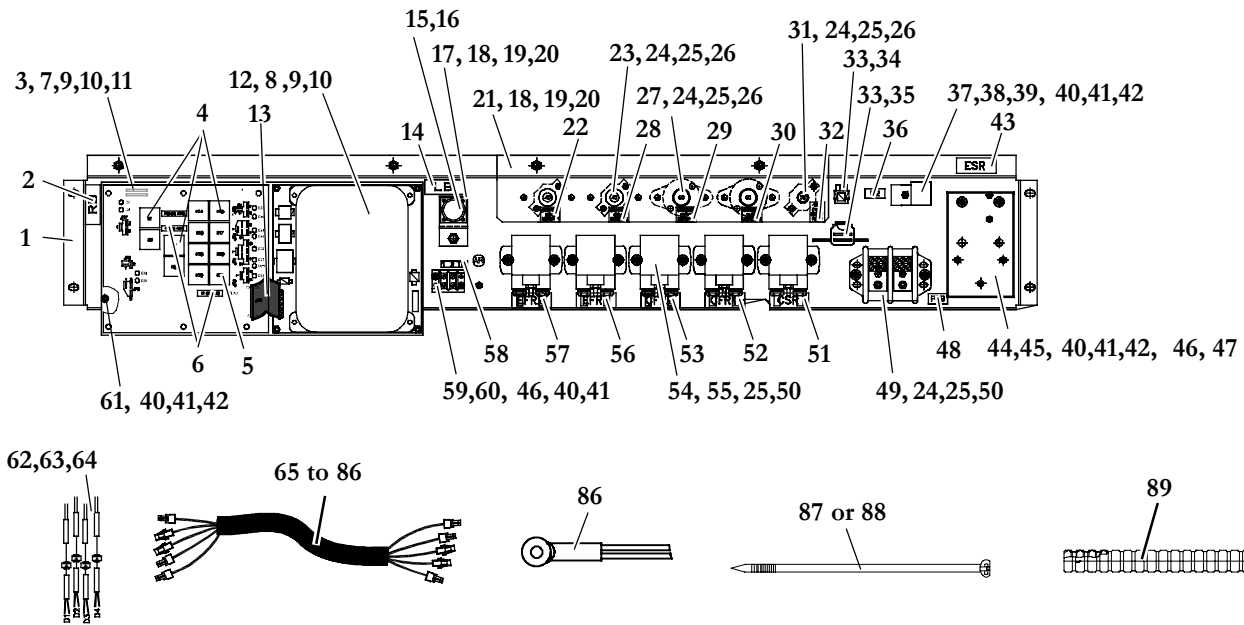


3.4 Electrical Control Panel - Models 68RM55-101-3, -5 (Continued)			
Item	Part Number	Description	Qty
68	22-50138-00	Connector, Female, 4 Position (JP6)	1
69	22-50134-00	Connector, Female, 2 Position (JP8)	1
70	22-50275-00	Connector, Female, 3 Position (JP9)	1
71	22-01660-03	Connector, Deutsch, 5 Position (Service Port)	1
72	22-50153-00	Terminal, Socket, Female (J1)	5
73	22-50152-00	Terminal, Socket, Female (J2,J3,J4,J6)	23
74	22-50148-00	Terminal, Female (JP3 Thru JP9)	21
75	22-01613-14	Terminal, Deutsch, #16	4
76	22-01566-01	Terminal, Socket, Female (18-20 AWG)	21
77	22-02393-01	Terminal, Male (18-20 AWG)	2
78	22-50122-05	Terminal, Female	16
79	22-02394-02	Seal, Cable, Green	A/R
80	12-00495-02SV	Thermistor Kit, (Replacement For 12-00305-04)	1
81	66U1-3882	Wire Tie, Self-Locking, 7.00 Inches, Black	62
82	58-00079-00	Wire Tie, Self-Locking, 15.00 Inches, Black	3
83	58-00850-00	Tubing, Split, Corrugated, 0.92 Inch ID x 75 Feet Long	1



3.5 Electrical Control Panel - Model 68RM55-101-4

Kit 68RM55-131-15

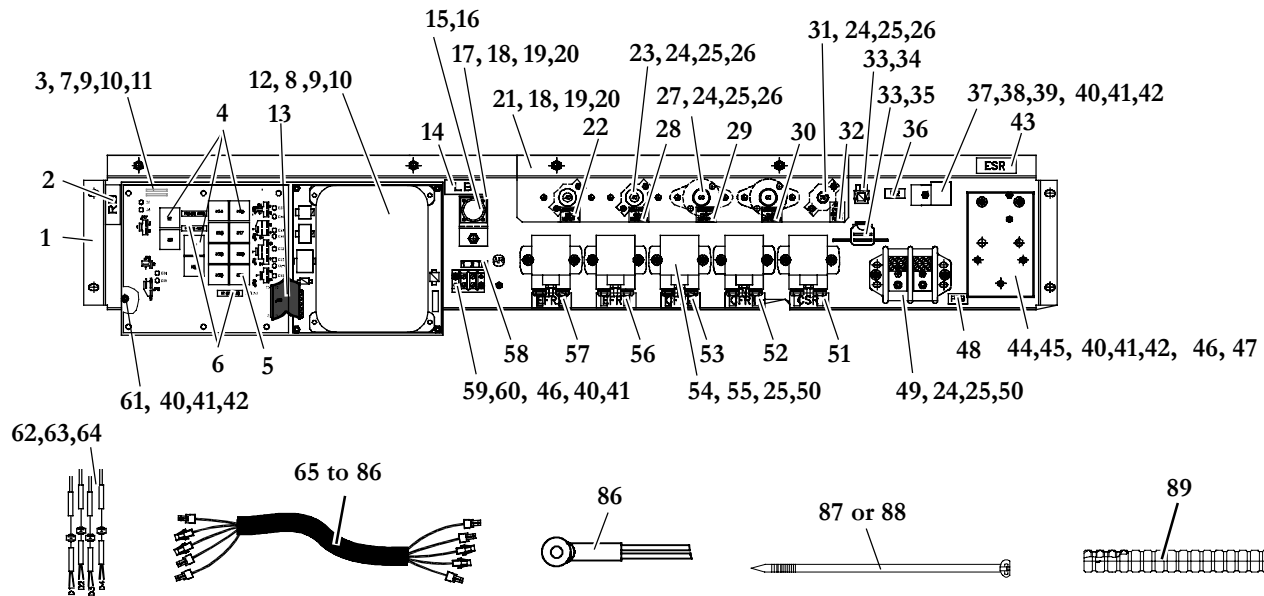


Item	Part Number	Description	Qty
1	68-62477-00	Panel Assembly, Electrical, Painted	1
2	62-62041-27	Label, RB	1
3	12-00371-01	Board, Relay - Includes:	1
4	10-00286-11	Relay, 24 VDC, 40 Amp, SPDT	11
5	10-00286-12	Relay, 24 VDC, 40 Amp, SPDT (K13 Only)	1
6	22-02336-06	Fuse, 15 AMP	3
7	34-62000-00	Spacer, Nylon, .50 Inch Long	6
8	34-62000-00	Spacer, Nylon, .25 Inch Long	4
9	58-00511-08	Washer, Nylon	10
10	34-00360-11	Nut, Hex, Self-Locking #10-32, Zinc Plated	10
11	42-62005-00	Gasket, Relay Board	1
12	12-00392-15	Module, Logic Controller 24VDC (300 PSI) -Includes:	1
13	22-50236-00	Harness, Ribbon Cable, 26 Pin (Logic Module to Relay Board)	1
14	62-62041-24	Label, LB	1
15	34-50048-00	Screw, Pan Head, Phillips, #6-32 x 1/2 Inch Long, SST	4
16	34-00667-07	Nut, Hex, Self-Locking #6-32, SST	4
17	68RM40-1356P	Bracket, Deutsch Connector, Painted	1
18	34-00655-06	Screw, Hex Head, 1/4-20 x 3/4 Inch Long, SST	3
19	34-00662-11	Washer, Plain, 1/4 Inch, SST	3
20	34-00663-11	Washer, Split Lock, 1/4 Inch, SST	3
21	68-62571-00	Panel, Circuit Breaker, Painted	1
22	62-62043-06	Label, CB5 (40 A) Cond. Motor 1	1
23	10-00247-05	Breaker, Circuit - 40 AMP	2
24	34-06179-03	Bolt, Hex Head, Slotted, SEMS, #10-24 x 1.00 Inch Long, SST	12
25	34-00662-09	Washer, Plain, #10, .032 Thick, SST	22
26	34-00667-09	Nut, Hex, Self-Locking #10-24, SST	10
27	10-00307-01	Breaker, Circuit - 60 AMP	2



3.5 Electrical Control Panel - Model 68RM55-101-4 (Continued)

Kit 68RM55-131-15



Item	Part Number	Description	Qty
28	62-62043-04	Label, CB4 (40 A) Cond. Motor 2	1
29	62-62043-03	Label, CB3 (60 A) Evap. Motor 1	1
30	62-62043-01	Label, CB2 (60 A) Evap. Motor 2	1
31	10-00247-03	Breaker, Circuit - 15 AMP	1
32	62-62044-00	Label, CB1 (15 A) Boost Pump	1
33	22-02336-04	Fuse, 10 AMP	2
34	22-01449-00	Clip, Wire & Cord	1
35	22-02338-02	Holder, Fuse	1
36	62-62041-25	Label, PR	1
37	10-00286-09	Relay, SPDT, 24VDC	1
38	AC201-931	Lock, Connector	1
39	AC201-901	Connector, Relay Socket	1
40	34-00662-08	Washer, Plain, #8, .032 Thick, SST	14
41	34-00663-08	Washer, Split Lock, #8, SST	14
42	34-06264-04	Screw, Hex Head Slotted, #8-32 x 1/2 Inch Long, SST	10
43	62-62041-22	Label, ESR	1
44	10-00309-00	Relay, Evaporator Speed, 24 VDC, 20 Amp, DPDT	1
45	10-00314-00	Cover, Relay	1
46	34-06264-06	Screw, Hex Head Slotted, #8-32 x 3/4 Inch Long, SST	4
47	AC801-604	Grommet, 5/8 ID x 7/8 Hole, 1/8 Inch Groove	2
48	62-62041-26	Label, PTB	1
49	22-01594-00	Terminal Block, Power	1
50	34-00663-09	Washer, Split Lock, #10, SST	12
51	62-62041-16	Label, CSR	1
52	62-62041-11	Label, CFR1	1
53	62-62041-13	Label, CFR2	1
54	10-00300-02	Contact, 28 VDC, SPNO	5
55	34-06179-01	Bolt, Hex Head, Slotted, SEMS, #10-24 x .50 Inch Long, SST	10

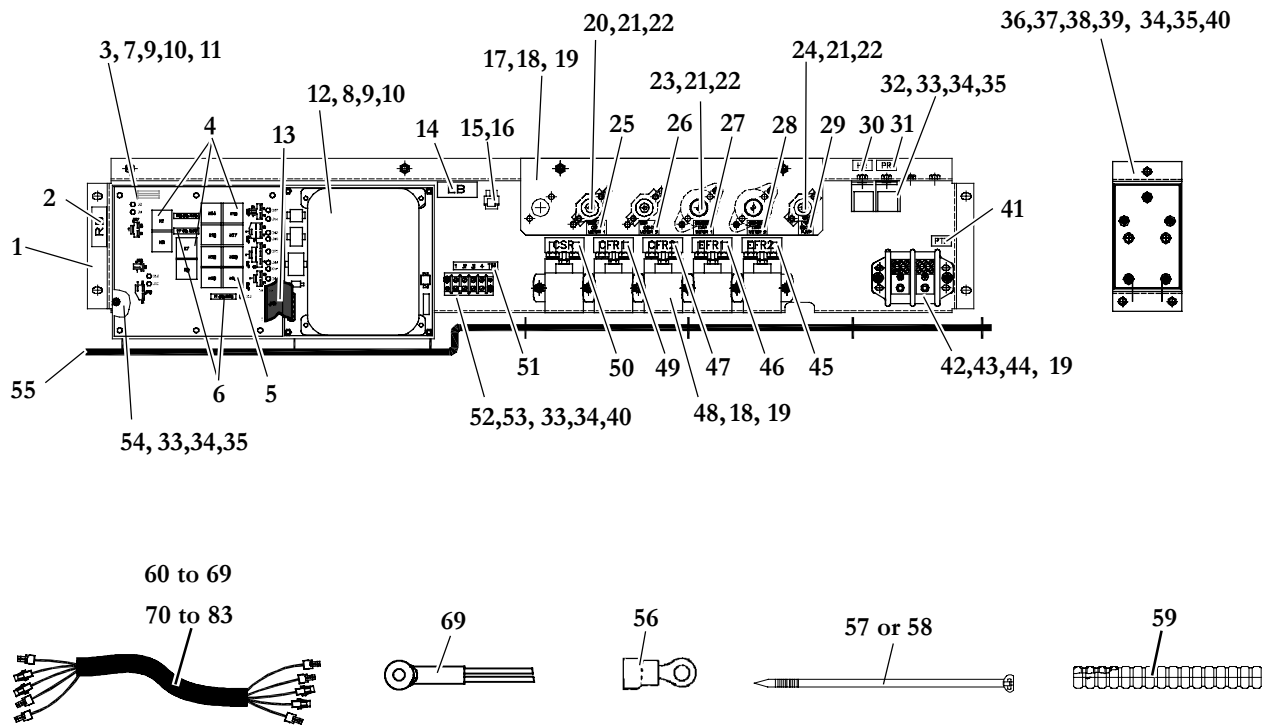


3.5 Electrical Control Panel - Model 68RM55-101-4 (Continued)			
Item	Part Number	Description	Qty
56	62-62041-20	Label, EFR1	1
57	62-62041-21	Label, EFR2	1
58	62-62040-02	Label, 1,2 TB	1
59	22-01563-04	Terminal Block, 2 Poles	1
60	22-01612-00	Jumper, Terminal Block	1
61	68RM40-157	Panel Assembly, Relay Board & Logic Module, Painted	1
62	AC201-600	Diode, In-Line, 6 AMP	5
63	AC201-244	Terminal, Butt Connector, 14-16 AWG	10
64	AC202-209	Tubing, Heat Shrink, 3/16, W/Adhesive	3
65	22-62072-00	Wire Harness, Complete, R-134a PM Motors - Includes:	1
66	22-50144-00	Connector, 4 Position (J1)	1
67	22-50145-00	Connector, 4 Position (J2)	1
68	22-50146-00	Connector, 9 Position (J3)	1
69	22-50143-00	Connector, 15 Position (J4)	1
70	CM983-618	Connector, 24 Position (J6)	1
71	22-50135-00	Connector, Female, 3 Position (JP3) (JP7)	2
72	22-50136-00	Connector, Female, 6 Position (JP4)	1
73	22-50137-00	Connector, Female, 5 Position (JP5)	1
74	22-50138-00	Connector, Female, 4 Position (JP6)	1
75	22-50134-00	Connector, Female, 2 Position (JP8)	1
76	22-50275-00	Connector, Female, 3 Position (JP9)	1
77	22-01660-03	Connector, Deutsch, 5 Position (Service Port)	1
78	22-50153-00	Terminal, Socket, Female (J1)	3
79	22-50152-00	Terminal, Socket, Female (J2,J3,J4,J6)	23
80	22-50148-00	Terminal, Female (JP3 Thru JP9)	23
81	22-01613-14	Terminal, Deutsch, #16	4
82	22-01566-01	Terminal, Socket, Female (18-20 AWG)	21
83	22-02393-01	Terminal, Male (18-20 AWG)	2
84	22-50122-05	Terminal, Female	6
85	22-02394-02	Seal, Cable, Green	A/R
86	12-00495-02SV	Thermistor Kit, (Replacement For 12-00305-04)	1
87	66U1-3882	Wire Tie, Self-Locking, 7.00 Inches, Black	62
88	58-00079-00	Wire Tie, Self-Locking, 15.00 Inches, Black	3
89	58-00850-00	Tubing, Split, Corrugated, 0.92 Inch ID x 75 Feet Long	1



3.6 Electrical Control Panel - Model 68RM55-100-24

Kit 68RM55-131-19



Item	Part Number	Description	Qty
1	68-62603-00	Panel Assembly, Electrical, Painted	1
2	62-62041-27	Label, RB	1
3	12-00371-01	Board, Relay - Includes:	1
4	10-00286-11	Relay, 24 VDC, 40 Amp, SPDT	11
5	10-00286-12	Relay, 24 VDC, 40 Amp, SPDT (K13 Only)	1
6	22-02336-06	Fuse, 15 AMP	3
7	34-62000-00	Spacer, Nylon, .50 Inch Long	6
8	34-62000-01	Spacer, Nylon, .25 Inch Long	4
9	58-00511-08	Washer, Nylon	10
10	34-00360-09	Nut, Hex, Self-Locking #10-32, Zinc Plated	10
11	42-62005-00	Gasket, Relay Board	1
12	12-00546-00	Module, Logic Controller 24VDC (300 PSI) - Includes:	1
13	22-50236-00	Harness, Ribbon Cable, 26 Pin (Logic Module to Relay Board)	1
14	62-62041-24	Label, LB	1
15	22-02336-04	Fuse, 10 AMP	1
16	22-01449-00	Clip, Wire & Cord	1
17	68-62604-00	Panel, Circuit Breaker, Painted	1
18	34-62055-00	Screw, Hex Head, W/Lockwasher, 1/4-20 x 0.63 Inch Long, SST	8
19	34-00662-11	Washer, Plain, 1/4 Inch, SST	10
20	10-00247-05	Breaker, Circuit - 40 AMP	2
21	34-06179-03	Bolt, Hex Head, Slotted, SEMS, #10-24 x 1.00 Inch Long, SST	10
22	34-00667-09	Nut, Hex, Self-Locking #10-24, SST	10

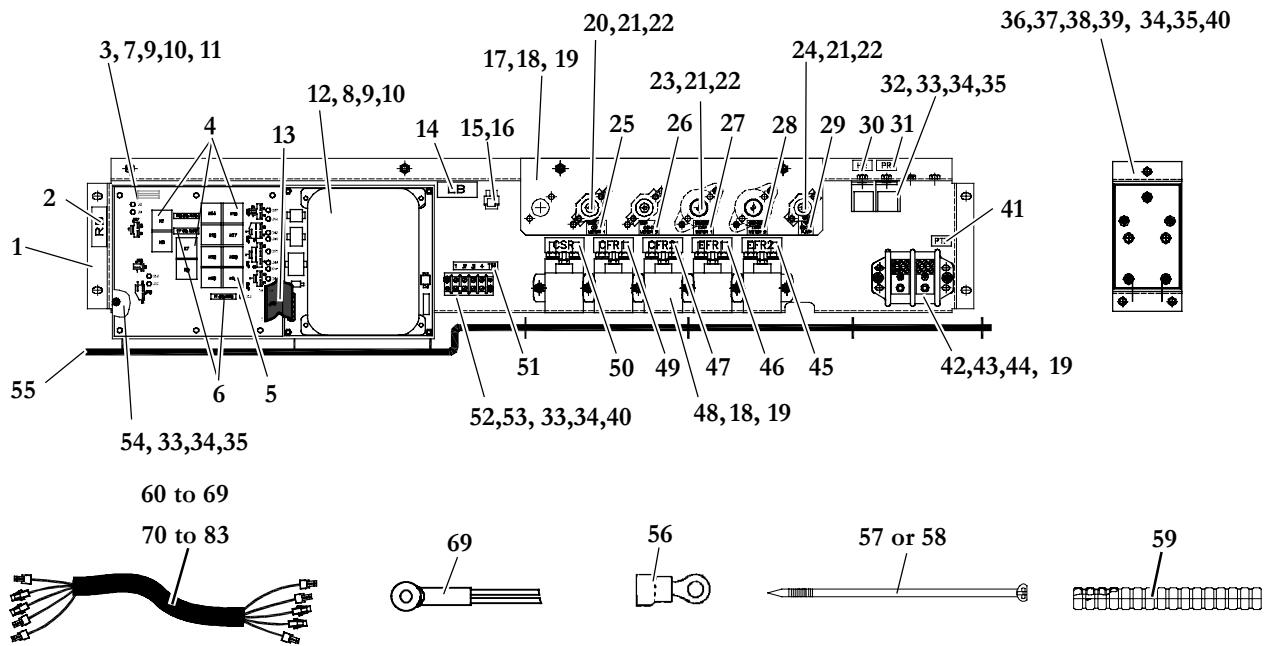


3.6 Electrical Control Panel - Model 68RM55-100-24 (Continued)			
Item	Part Number	Description	Qty
23	10-00307-01	Breaker, Circuit - 60 AMP	2
24	10-00247-03	Breaker, Circuit - 15 AMP	1
25	62-62043-06	Label, CB5 (40 A) Cond. Motor 1	1
26	62-62043-04	Label, CB4 (40 A) Cond. Motor 2	1
27	62-62043-03	Label, CB3 (60 A) Evap. Motor 1	1
28	62-62043-01	Label, CB2 (60 A) Evap. Motor 2	1
29	62-62044-00	Label, CB1 (15 A) Boost Pump	1
30	62-62041-23	Label, HR	2
31	62-62041-25	Label, PR	1
32	10-00286-09	Relay, SPDT, 24VDC	2
33	34-00662-08	Washer, Plain, #8, .032 Thick, SST	10
34	34-00663-08	Washer, Split Lock, #8, SST	15
35	34-06264-04	Screw, Hex Head Slotted, #8-32 x 1/2 Inch Long, SST	11
36	10-00309-00	Relay, Evaporator Speed	2
37	10-00314-00	Cover, Relay	1
38	68-62275-00	Bracket, Relay, Painted	1
39	58-00065-27	Grommet, 0.62 ID x 0.88 Hole, 0.125 Inch Groove	2
40	34-06264-06	Screw, Hex Head Slotted, #8-32 x 3/4 Inch Long, SST	4
41	62-62041-26	Label, PTB	1
42	22-01594-00	Terminal Block, Power	1
43	34-00655-08	Screw, Hex Head, 1/4-20 x 1.00 Inch Long, SST	2
44	34-00663-11	Washer, Split Lock, 1/4 Inch, SST	2
45	62-62041-21	Label, EFR2	1
46	62-62041-20	Label, EFR1	1
47	62-62041-13	Label, CFR2	1
48	10-00300-02	Contact, 28 VDC, SPNO	5
49	62-62041-11	Label, CFR1	1
50	62-62041-16	Label, CSR	1
51	62-62040-04	Label, 1,2,3,4 TB	1
52	22-01563-05	Terminal Block, 4 Poles	1
53	22-01612-00	Jumper, Terminal Block	1
54	68RM40-157	Panel Assembly, Relay Board & Logic Module, Painted	1
55	22-62086-00	Wire Harness, Power	1
56	22-00121-27	Terminal, Ring, #10, 22-16 AWG, Red Vinyl	2
57	66U1-3882	Wire Tie, Self-Locking, 7.00 Inches, Black	40
58	58-00079-00	Wire Tie, Self-Locking, 15.00 Inches, Black	3
59	58-00850-00	Tubing, Split, Corrugated, 0.92 Inch ID x 75 Feet Long	1



3.6 Electrical Control Panel - Model 68RM55-100-24 (Continued)

Kit 68RM55-131-19

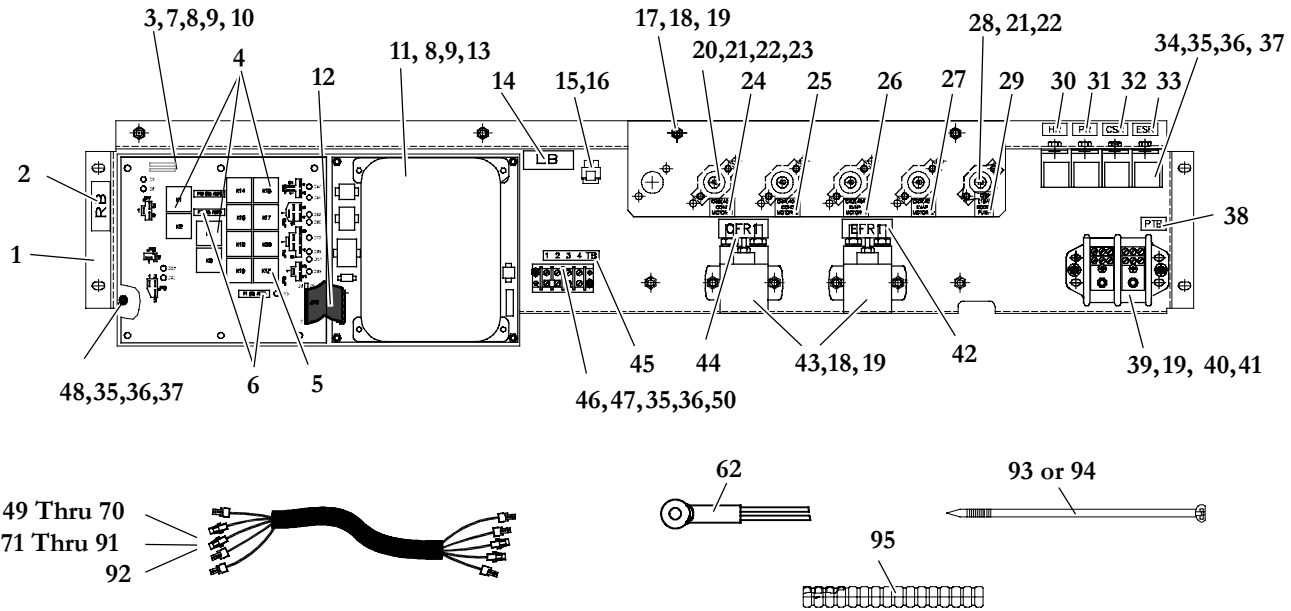


Item	Part Number	Description	Qty
60	22-62076-00	Wire Harness, Control (PM & WF) - Includes:	1
61	22-50144-00	Connector, Housing Kit, 4 Position (J1)	1
62	22-50153-00	Terminal, Socket, Female (J1)	4
63	CM983-618	Connector, 24 Position (J6)	1
64	22-50152-00	Terminal, Socket, Female (J6)	24
65	22-50135-00	Connector, Female, 3 Position (J7)	1
66	22-50148-00	Terminal, Female (J7, J8 & J9)	8
67	22-50134-00	Connector, Female, 2 Position (J8)	1
68	22-50275-00	Connector, Female, 3 Position (J9)	1
69	12-00495-02SV	Thermistor Kit, (Replacement For 12-00305-04)	1
70	22-62105-00	Wire Harness, Interface - Includes:	1
71	22-50146-00	Connector, 9 Position (J3)	1
72	22-50143-00	Connector, 15 Position (J4)	1
73	22-50152-00	Terminal, Socket, Female (J3 & J4)	7
74	22-50135-00	Connector, Female, 3 Position (JP3)	1
75	22-50136-00	Connector, Female, 6 Position (JP4)	1
76	22-50137-00	Connector, Female, 5 Position (JP5)	1
77	22-50138-00	Connector, Female, 4 Position (JP6)	1
78	22-50148-00	Terminal, Female (JP3, JP4, JP5 & JP6)	13
79	22-02392-00SV	Connector Kit, 2 Pin (WPF) - Includes:	1
80	NSS	Connector, 2 Pin, Black	1
81	22-02393-01	Terminal, Male (18-20 AWG)	2
82	22-02394-01	Seal, Cable	2
83	22-50122-05	Terminal, Female	6



3.7 Electrical Control Panel - Models 68RM55-101-12, -18, -20, -21

Kit 68RM55-131-21
 68RM55-131-22
 91-01166-03
 91-01166-04

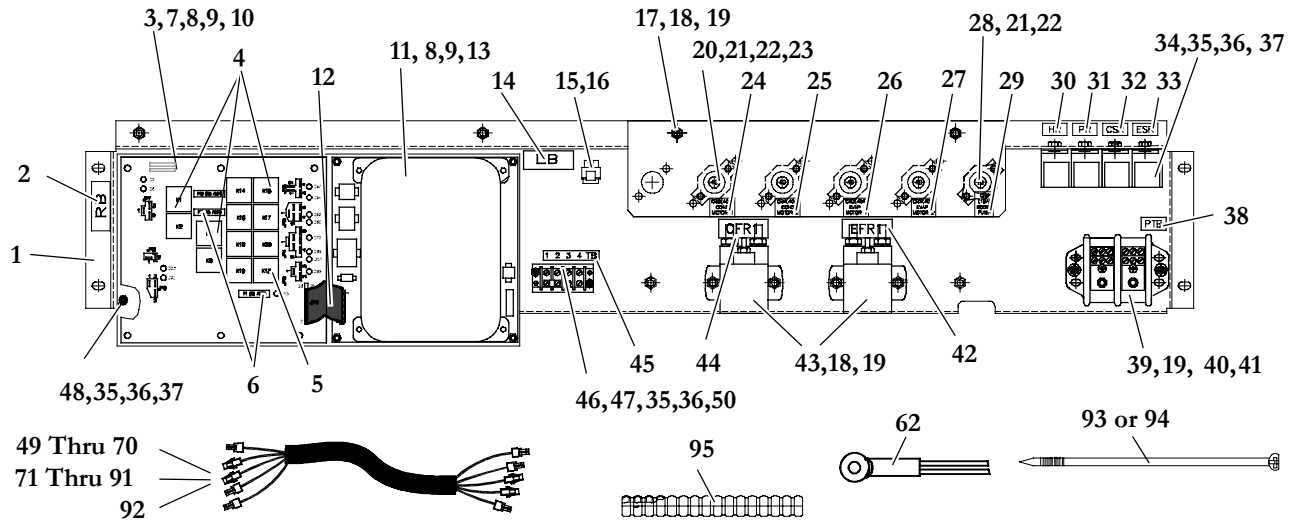


Item	Part Number	Description	Qty
1	68-62603-00	Panel Assembly, Electrical, Painted	1
2	62-62041-27	Label, RB	1
3	12-00371-01	Board, Relay - Includes:	1
4	10-00286-11	Relay, 24 VDC, 40 Amp, SPDT	11
5	10-00286-12	Relay, 24 VDC, 40 Amp, SPDT (K13 Only)	1
6	22-02336-06	Fuse, 15 AMP	3
7	34-62000-00	Spacer, Nylon, .50 Inch Long	6
8	58-00511-08	Washer, Nylon	10
9	34-00360-09	Nut, Hex, Self-Locking #10-32, Zinc Plated	10
10	42-62005-00	Gasket, Relay Board	1
11	12-00392-15	Module, Logic Controller 24VDC (300 PSI) - Includes:	1
12	22-50236-00	Harness, Ribbon Cable, 26 Pin (Logic Module to Relay Board)	1
13	34-62000-01	Spacer, Nylon, .25 Inch Long	4
14	62-62041-24	Label, LB	1
15	22-02336-04	Fuse, 10 AMP	1
16	22-01449-00	Clip, Wire & Cord	1
17	68-62604-00	Panel, Circuit Breaker, Painted	1
18	34-62055-00	Screw, Hex Head, W/Lockwasher, 1/4-20 x 0.63 Inch Long, SST	6
19	34-00662-11	Washer, Plain, 1/4 Inch, SST	8
20	10-00247-05	Breaker, Circuit - 40 AMP	4
21	34-06179-03	Bolt, Hex Head, Slotted, SEMS, #10-24 x 1.00 Inch Long, SST	10
22	34-00667-09	Nut, Hex, Self-Locking #10-24, SST	10
23	34-00662-09	Washer, Plain, #10, .032 Thick, SST	10
24	62-62043-06	Label, CB5 (40 A) Cond. Motor 1	1



3.7 Electrical Control Panel - Models 68RM55-101-12, -18, -20, -21 (Continued)

Kit 68RM55-131-21
 68RM55-131-22
 91-01166-03
 91-01166-04



Item	Part Number	Description	Qty
25	62-62043-04	Label, CB4 (40 A) Cond. Motor 2	1
26	62-62043-02	Label, CB3 (40 A) Evap. Motor 1	1
27	62-62043-00	Label, CB2 (40 A) Evap. Motor 2	1
28	10-00247-03	Breaker, Circuit - 15 AMP	1
29	62-62044-00	Label, CB1 (15 A) Boost Pump	1
30	62-62041-23	Label, HR	1
31	62-62041-25	Label, PR	1
32	62-62041-16	Label, CSR	1
33	62-62041-22	Label, ESR	1
34	10-00286-09	Relay, SPDT, 24VDC	4
35	34-00662-08	Washer, Plain, #8, .032 Thick, SST	12
36	34-00663-08	Washer, Split Lock, #8, SST	12
37	34-06264-04	Screw, Hex Head Slotted, #8-32 x 1/2 Inch Long, SST	10
38	62-62041-26	Label, PTB	1
39	22-01594-00	Terminal Block, Power	1
40	34-00655-08	Screw, Hex Head, 1/4-20 x 1.00 Inch Long, SST	2
41	34-00663-11	Washer, Split Lock, 1/4 Inch, SST	2
42	62-62041-20	Label, EFR1	1
43	10-00300-02	Contact, 28 VDC, SPNO	2
44	62-62041-11	Label, CFR1	1
45	62-62040-04	Label, 1,2,3,4 TB	1
46	22-01563-05	Terminal Block, 4 Poles	1
47	22-01612-00	Jumper, Terminal Block	1
48	68RM40-157	Panel Assembly, Relay Board & Logic Module, Painted	1
49	22-02856-00	Wire Harness, Control (Rotron)(Models 101-12, -18 Only) - Includes:	1
50	34-06264-06	Screw, Hex Head Slotted, #8-32 x 3/4 Inch Long, SST	2
51	22-02905-00	Wire Harness, Control (Rotron)(Models 101-20, -21 Only) - Includes:	1

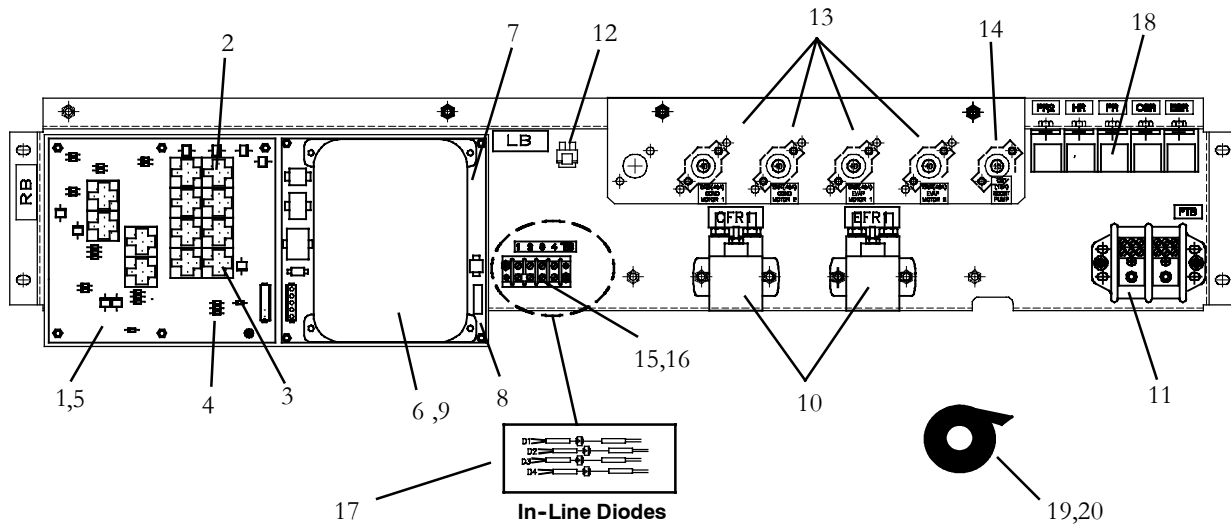


3.7 Electrical Control Panel - Models 68RM55-101-12, -18, -20, -21 (Continued)			
Item	Part Number	Description	Qty
52	22-50144-00	Connector, Housing Kit, 4 Position (J1)	1
53	22-50153-00	Terminal, Socket, Female (J1)	3
54	CM983-618	Connector, 24 Position (J6)	1
55	22-50152-00	Terminal, Socket, Female (J6)	14
56	22-50135-00	Connector, Female, 3 Position (JP7)	1
57	22-50346-00	Terminal, Female (JP7, JP9)	3
58	22-50134-00	Connector, Female, 2 Position (JP8)	1
59	22-50148-00	Terminal, Female (JP8)	4
60	22-50275-00	Connector, Female, 3 Position (JP9)	1
61	22-50347-00	Terminal, Female (JP7, JP9)	2
62	12-00495-02SV	Thermistor Kit, (Replacement For 12-00305-04)	2
63	22-50122-05	Terminal, Female (PR Relay)	6
64	22-01566-01	Terminal, Socket, Female (18-20 AWG)	4
65	22-50122-15	Terminal, Female (CSR & ESR Relay)	8
66	AC201-901	Connector, Relay (PR, CSR & ESR)	3
67	AC201-931	Lock, Connector (PR, CSR & ESR)	3
68	AC201-600	Diode, In-Line, 6 Amp (PR)	2
69	22-02336-04	Fuse, 10 Amp (PR)	1
70	22-02338-02	Holder, Fuse (PR)	1
71	22-02855-00	Wire Harness, Interface (68Rm55-101-12, -20 Only) - Includes:	1
	22-02893-00	Wire Harness, Interface (68Rm55-101-18, -21 Only) - Includes:	
72	22-50146-00	Connector, 9 Position (J3)	1
73	22-50143-00	Connector, 15 Position (J4)	1
74	22-50152-00	Terminal, Socket, Female (J3 & J4)	7
75	22-50135-00	Connector, Female, 3 Position (JP3)	1
76	22-50136-00	Connector, Female, 6 Position (JP4)	1
77	22-50137-00	Connector, Female, 5 Position (JP5)	1
78	22-50138-00	Connector, Female, 4 Position (JP6)	1
79	22-50148-00	Terminal, Female (JP3)	2
80	22-02392-00SV	Connector Kit, 2 Pin (WPF) - Includes:	1
81	NSS	Connector, 2 Pin, Black	1
82	22-02393-01	Terminal, Male (18-20 AWG)	2
83	22-02394-01	Seal, Cable	2
84	22-50122-05	Terminal, Female	4
85	22-01566-01	Terminal, Socket, Female (18-20 AWG)	18
86	22-50346-00	Terminal, Female (JP4, JP5 & JP6)	8
87	22-50347-00	Terminal, Female (JP4 & JP5)	A/R
88	22-50122-15	Terminal, Female (HR)	A/R
89	AC201-901	Connector, Relay (HR)	1
90	AC201-931	Lock, Connector (HR)	1
91	AC201-600	Diode, In-Line, 6 Amp (PR)	1
92	22-62080-00	Wire Harness, Power	1
93	66U1-3882	Wire Tie, Self-Locking, 7.00 Inches, Black	10
94	58-00079-00	Wire Tie, Self-Locking, 15.00 Inches, Black	5
95	58-00850-00	Tubing, Split, Corrugated, 0.92 Inch ID x 75 Feet Long	1



3.8 Electrical Control Panel - Model Y13-R5501-00 & Y13-R5501-01

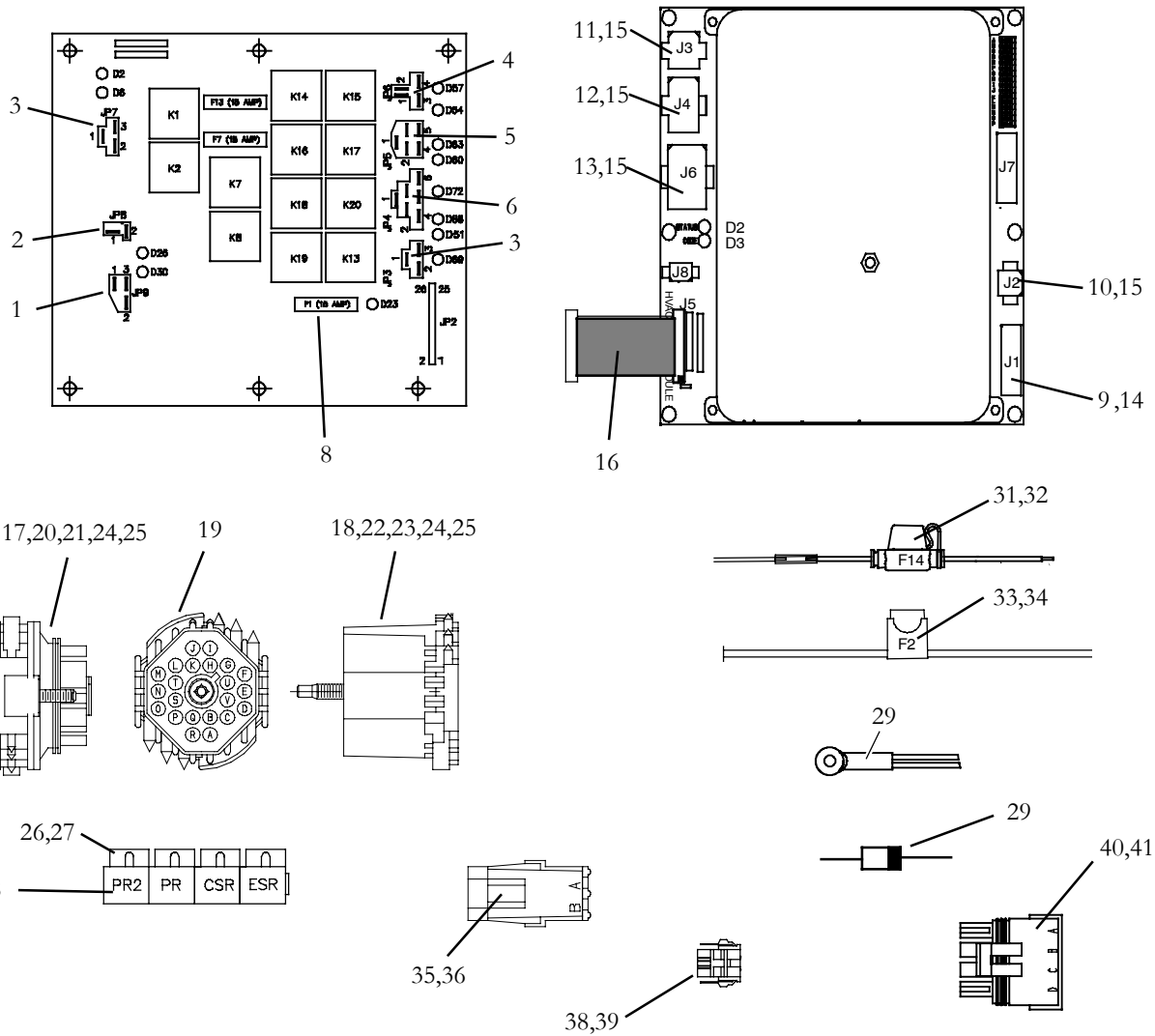
Kit Y25-00016-00



Item	Part Number	Description	Qty
1	12-00371-01	Relay Board, Rearmount (Includes):	1
2	10-00286-11	Relay, 24 VDC, 40 Amp, SPDT	11
3	10-00286-12	Relay, 24 VDC, 40 Amp, SPDT (K13 Only)	1
4	22-02336-06	Fuse, 15 AMP	3
5	34-62000-00	Nylon Spacers, .5" Length (Relay Board)	6
6	12-00392-15	Logic Module (Includes):	1
7	12-00558-80	Jumpers	N/S
8	22-50236-00	Harness, Ribbon Cable, 26 Pin (Logic Module to Relay Board)	1
9	34-62000-01	Nylon Spacers, .25" Length (Logic Board)	4
10	10-00300-02	Contactor, 28VDC N.O.	2
11	22-01594-00	Power Terminal Block	1
12	22-02336-04	Fuse, 10 Amp	1
13	10-00247-05	Circuit Breaker, 40 Amp	4
14	10-00247-03	Circuit Breaker, 15 Amp	1
15	22-01563-05	Terminal Block, 4 Pole	1
16	22-01612-00	Terminal Block, Jumpers	1
17	AC201-600	Diode, In Line, 6AMP	5
18	10-00286-09	Relay, 24VDC	5
19	02-00137-00	Tape, Wire Harness, 19MM Width	A/R
20	02-00137-03	Tape, Wire Harness, 38MM Width	A/R
21	Y25-00017-00	Harness, Control (Components Listed in Section 3.8.1)	NSA
22	Y25-00018-00	Harness, Interface (Components Listed in Section 3.8.1)	NSA
23	22-62080-00	Harness, Power	NSA



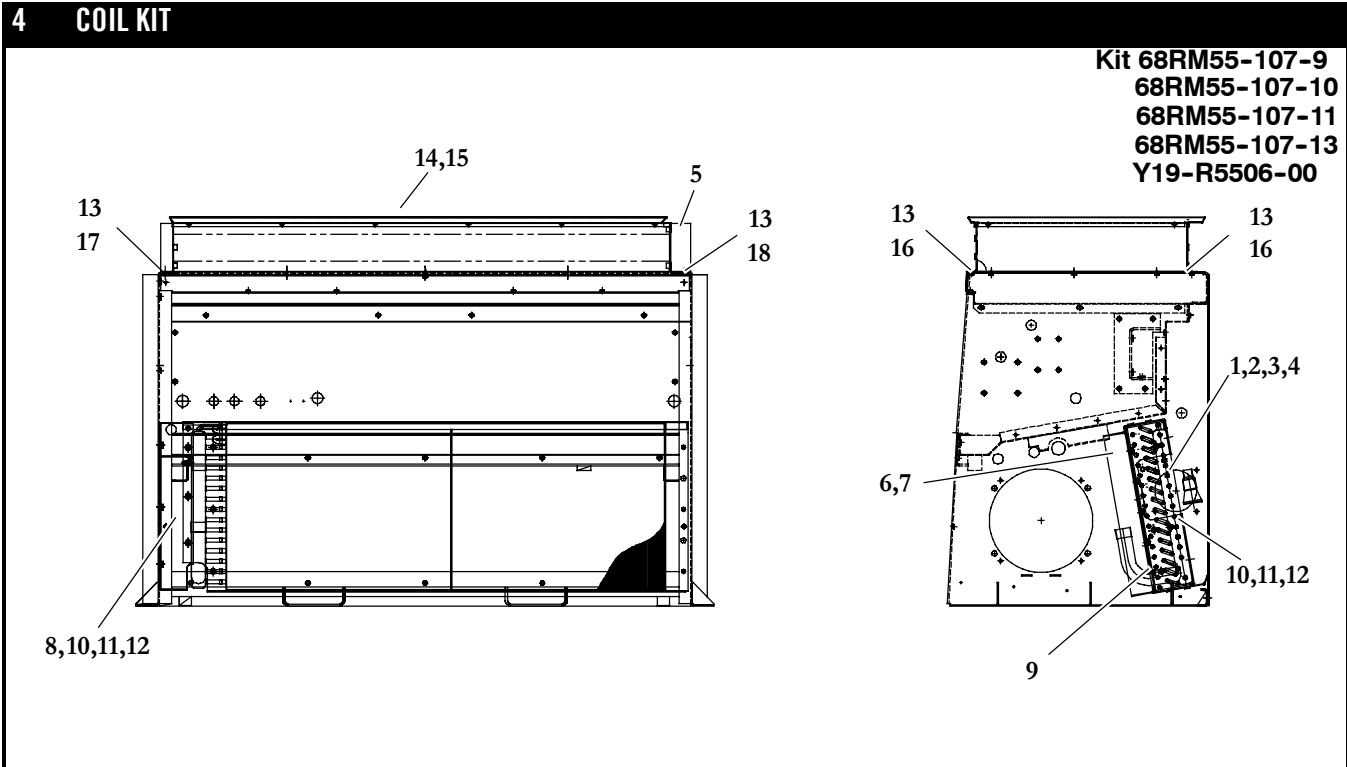
3.8.1 Electrical INTERFACE CONNECTORS Y13-R5501-00 & Y13-R5501-01



Item	Part Number	Description	Qty
1	22-50275-00	Connector, Female, 3 Position (JP9)	1
2	22-50134-00	Connector, Female, 2 Position (JP8)	1
3	22-50135-00	Connector, Female, 3 Position (JP3 & JP7)	2
4	22-50138-00	Connector, Female, 4 Position (JP6)	1
5	22-50137-00	Connector, Female, 5 Position (JP5)	1
6	22-50136-00	Connector, Female, 6 Position (JP4)	1
7	22-50148-00	Terminal, Female, (JP3, JP4, JP5, JP6, JP7, JP8, JP9)	A/R
8	22-02336-06	Fuse, 15 AMP	3
9	22-50144-00	Connector, 4 Position (J1)	1
10	22-50145-00	Connector, 4 Position (J2)	1
11	22-50146-00	Connector, 9 Position (J3)	1
12	22-50143-00	Connector, 15 Position (J4)	1
13	CM983-618	Connector, 24 Position (J6)	1
14	22-50153-00	Terminal, Socket, Female (J1)	3



Item	Part Number	Description	Qty
15	22-50152-00	Terminal, Socket, Female (J2,J3,J4,J6)	23
16	22-50236-00	Harness, Ribbon Cable 26 Pin (Logic Module to Relay Board)	1
17	22-01565-00	Connector, 22 Pin Female	1
18	22-50078-09	Connector, 22 Pin Male	1
19	22-50078-09A	Lock, Secondary	4
20	22-01566-01	Terminal, Female (18-20 AWG)	A/R
21	22-01566-00	Terminal, Female (14-16 AWG)	A/R
22	22-02393-01	Terminal, Male (18-20 AWG)	A/R
23	22-02393-00	Terminal, Male (14-16 AWG)	A/R
24	22-02394-01	Seal, Cable	A/R
25	22-01565-01	Plug, Terminal Cavity	A/R
26	AC201-901	Connector, Relay base	4
27	AC201-931	Lock, Relay	4
28	10-00286-09	Relay, SPDT, 24VDC	4
29	AC201-600	Diode, In Line 6 AMP	A/R
30	12-00495-02SV	Thermistor Kit	1
31	22-02338-03	Fuse Holder, W/Cap (F14)	1
32	22-02336-25	Fuse, 20 AMP (F14)	1
33	22-02336-04	Fuse Holder, (F2)	1
34	22-02338-02	Fuse, 10 AMP	1
35	22-02392-00	Connector, 2 Position Male	1
36	22-02393-01	Terminal, Male (18 AWG)	2
37	77-00275-01	Display Assembly Harness, Includes:	NSA
38	22-50145-00	Connector, 4 position (J2)	1
39	22-50152-00	Terminal, Female (J2)	4
40	22-01585-04	Connector, 4 position Weatherpac, Female	1
41	22-50078-58F	Terminal, Female, 18-20 AWG	4



4.1 Coil Kit - Model 68RM55-100-17

Item	Part Number	Description	Qty
1	08-62011-00	Coil Assembly, Evaporator (Aluminum/Copper) - Includes:	1
2	40-01124-00	Body, Valve, Schrader, Brass 1/4 SAE Flare - Includes:	1
3	DD19CA061	Cap, Seal, Flare, 1/4 Inch	1
4	14-00351-00	Core, Access Valve (Nickel Plated)	1
5	08-62008-01	Coil Assembly, Condenser (Aluminum/Copper)	1
6	08-00192-02	Coil Assembly, Heater (Aluminum/Copper) - Includes:	1
7	40-00081-00	Fitting, Air Vent, 1/8 MPT, Brass	1
8	68RM55-120P	Bracket Weld Assembly, Painted	1
9	68RM55-122P	Bracket Assembly, Evaporator Coil, Painted	1
10	34-00792-06	Screw, Hex Head, 5/16-18 x 3/4 Inch Long, SST	29
11	34-00662-12	Washer, Flat, 5/16 Inch, SST	29
12	34-00663-12	Washer, Split Lock, 5/16 Inch, SST	29
13	AC801-414	Gasket, Foam, 3/8 x 1.00 (25 Feet Roll)	1
14	68RM55-216P	Flange Assembly, Shroud, Painted	1
15	66U1-9122	Rivet, Pop, Closed End, 5/32 Dia., Grip Range: .062-.250	10

4.2 Coil Kit - Models 68RM55-100-22, -23, -24, -25

1	08-62019-00	Coil Assembly, Evaporator - Includes:	1
2	40-01124-00	Body, Valve, Schrader, Brass 1/4 SAE Flare - Includes:	1
3	DD19CA061	Cap, Seal, Flare, 1/4 Inch	1
4	14-00351-00	Core, Access Valve (Nickel Plated)	1
5	08-62025-01	Coil Assembly, Condenser (Aluminum/Copper Precoated)	1
6	AC101-620	Coil Assembly, Heater (Aluminum/Copper) - Includes:	1
7	40-00081-00	Fitting, Air Vent, 1/8 MPT, Brass	1
8	68RM55-183P	Bracket Assembly, Evaporator Coil, Roadside, Painted	1

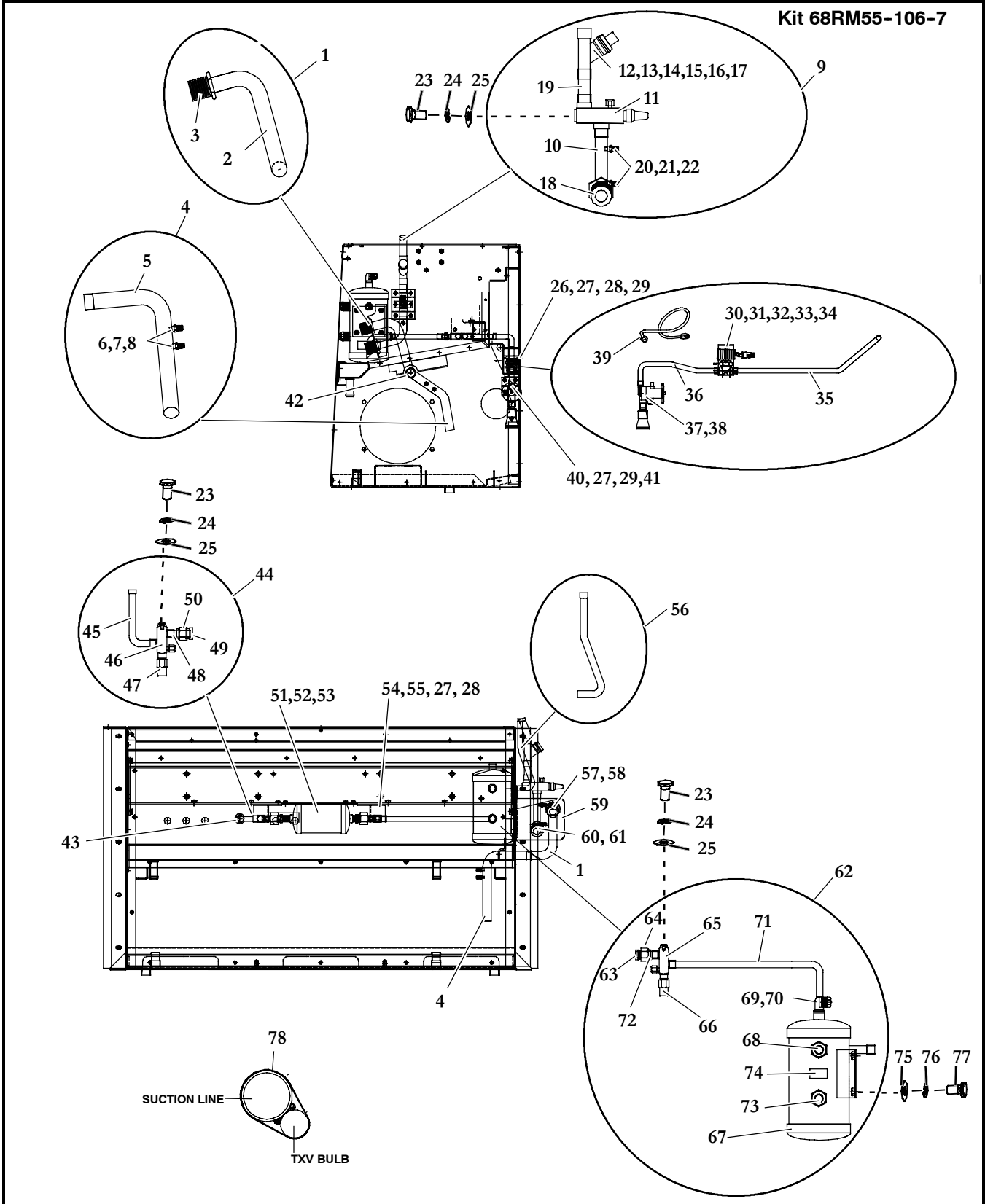


4.2 Coil Kit - Models 68RM55-100-22, -23, -24, -25 (Continued)			
Item	Part Number	Description	Qty
9	68RM55-184P	Bracket Assembly, Evaporator Coil, Curbside, Painted	1
10	34-00792-06	Screw, Hex Head, 5/16-18 x 3/4 Inch Long, SST	28
11	34-00662-12	Washer, Flat, 5/16 Inch, SST	28
12	34-00663-12	Washer, Split Lock, 5/16 Inch, SST	28
14	86-62174-00	Flange Assembly, Shroud, Painted	1
15	66U1-9122	Rivet, Pop, Closed End, 5/32 Dia., Grip Range: .062-.250	17
16	42-62022-00	Gasket, Coil, Neoprene, .125 Thick x 1.00 x 51.16 Inches Long, Adhesive Backed	2
17	42-62023-00	Gasket, Coil, Neoprene, .125 Thick x 1.00 x 20.25 Inches Long, Adhesive Backed	1
18	42-62024-00	Gasket, Coil, Neoprene, .125 Thick x 1.00 x 20.25 Inches Long, Adhesive Backed	1
4.3 Coil Kit - Model 68RM55-101-3			
1	08-62019-00	Coil Assembly, Evaporator - Includes:	1
2	40-01124-00	Body, Valve, Schrader, Brass 1/4 SAE Flare - Includes:	1
3	DD19CA061	Cap, Seal, Flare, 1/4 Inch	1
4	14-00351-00	Core, Access Valve (Nickel Plated)	1
5	08-62002-00	Coil Assembly, Condenser (Aluminum/Copper)	1
6	AC101-620	Coil Assembly, Heater (Aluminum/Copper) - Includes:	1
7	40-00081-00	Fitting, Air Vent, 1/8 MPT, Brass	1
8	68RM55-183P	Bracket Assembly, Evaporator Coil, Roadside	1
9	68RM55-184P	Bracket Assembly, Evaporator Coil, Curbside	1
10	34-00792-06	Screw, Hex Head, 5/16-18 x 3/4 Inch Long, SST	27
11	34-00662-12	Washer, Flat, 5/16 Inch, SST	27
12	34-00663-12	Washer, Split Lock, 5/16 Inch, SST	27
14	68RM55-216P	Flange Assembly, Shroud, Painted	1
15	66U1-9122	Rivet, Pop, Closed End, 5/32 Dia., Grip Range: .062-.250	10
4.4 Coil Kit - Models 68RM55-101-4, -5, -6, -7, -8, -9, -10, -11, -12, -15, -16, -17, -18, -19, -20, -21, -23, -24, -25, -26, Y13-R5501-00 & Y13-R5501-01			
1	08-62019-00	Coil Assembly, Evaporator - Includes:	1
2	40-01124-00	Body, Valve, Schrader, Brass 1/4 SAE Flare - Includes:	1
3	DD19CA061	Cap, Seal, Flare, 1/4 Inch	1
4	14-00351-00	Core, Access Valve (Nickel Plated)	1
5	08-62022-01	Coil Assembly, Condenser (Aluminum/Copper Precoated)	1
6	AC101-620	Coil Assembly, Heater (Aluminum/Copper) - Includes:	1
7	40-00081-00	Fitting, Air Vent, 1/8 MPT, Brass	1
8	68RM55-183P	Bracket Assembly, Evaporator Coil, Roadside, Painted	1
9	68RM55-184P	Bracket Assembly, Evaporator Coil, Curbside, Painted	1
10	34-00792-06	Screw, Hex Head, 5/16-18 x 3/4 Inch Long, SST	28
11	34-00662-12	Washer, Flat, 5/16 Inch, SST	28
12	34-00663-12	Washer, Split Lock, 5/16 Inch, SST	28
14	86-62174-00	Flange Assembly, Shroud, Painted	NSA
	Y24-00050-00	Weld Assembly, Plenum	NSA
15	66U1-9122	Rivet, Pop, Closed End, 5/32 Dia., Grip Range: .062-.250	17
16	42-62022-00	Gasket, Coil, Neoprene, .125 Thick x 1.00 x 51.16 Inches Long, Adhesive Backed	2
17	42-62023-00	Gasket, Coil, Neoprene, .125 Thick x 1.00 x 20.25 Inches Long, Adhesive Backed	1
18	42-62024-00	Gasket, Coil, Neoprene, .125 Thick x 1.00 x 20.25 Inches Long, Adhesive Backed	1



5 REFRIGERANT PIPING KIT - R-22 MODELS

5.1 Refrigerant Piping Kit - Model 68RM55-100-17



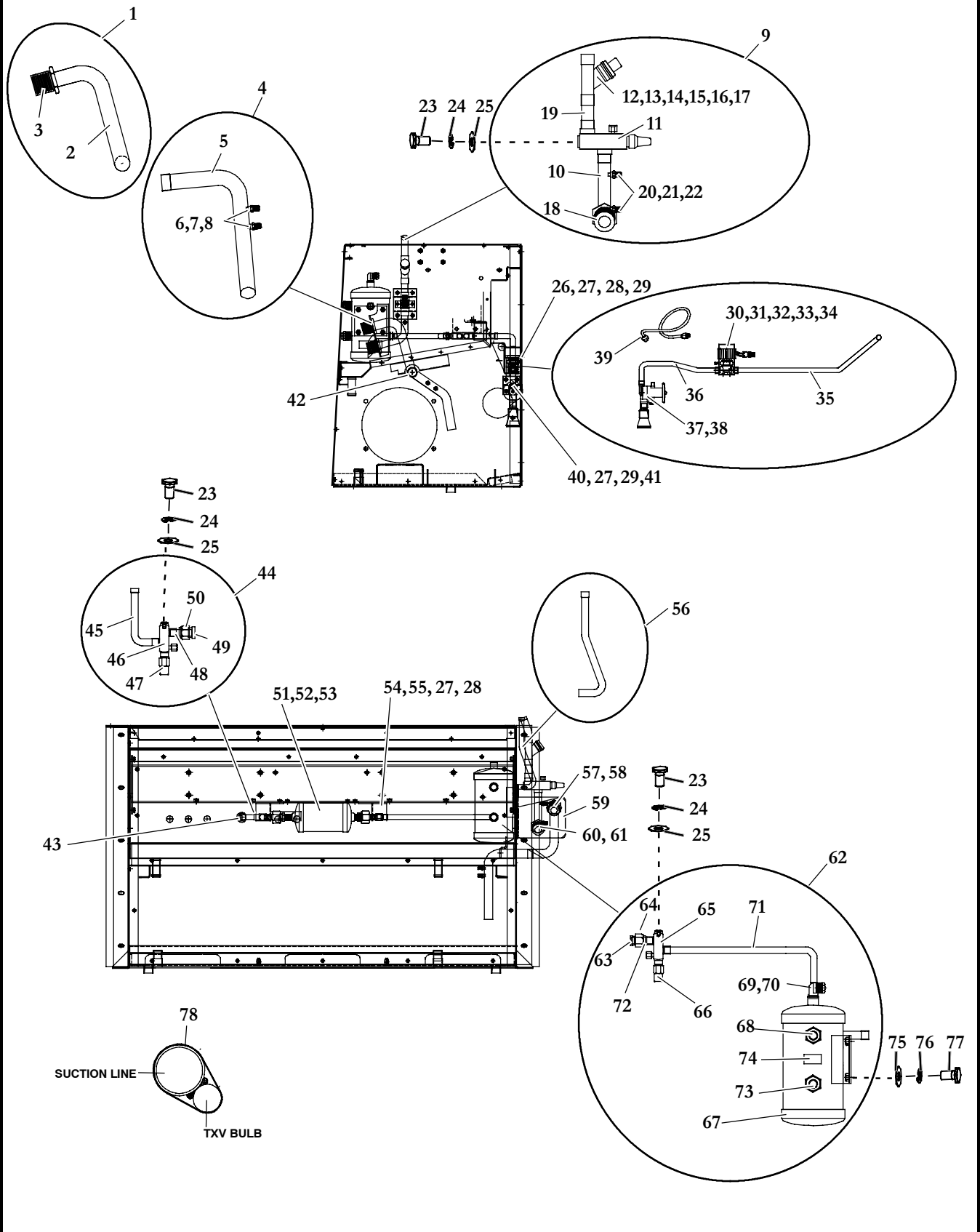


5.1 Refrigerant Piping Kit - Model 68RM55-100-17 (Continued)			
Item	Part Number	Description	Qty
1	68RM55-127	Tube Assembly, Suction - Includes:	1
2	56-62032-00	Tube, Suction, Bent, 1-1/8 OD x .050 Wall Copper	1
3	40-00491-01	Fitting, ORS, 1-1/8 ODF x 1-11/16-12	1
4	68RM55-128	Tube Assembly, Suction - Includes:	1
5	56-62033-00	Tube, Suction, Bent, 1-1/8 OD x .050 Wall Copper	1
6	40-01124-00	Body, Valve, Schrader, Brass 1/4 SAE Flare - Includes:	2
7	DD19CA061	Cap, Seal, Flare, 1/4 Inch	1
8	14-00351-00	Core, Access Valve (Nickel Plated)	1
9	68RM55-129	Discharge Tube & Valve Assembly - Includes:	1
10	56-62017-00	Tube, Discharge, Bent, 7/8 OD x .045 Wall Copper	1
11	14-00196-00	Valve, Shutoff, Discharge, 7/8 ODS	1
12	14-00281-04	Valve, Check, 7/8 ODF - Includes:	1
13	14-50050-01	Spring And Piston/Seat Assembly - Includes:	1
14	73-50006-00	Spring, Check Valve, SST	1
15	16-03301-00	Gasket, Check Valve	1
16	14-50093-00	Disk, Spacer, Check Valve Cap	1
17	14-50051-00	Cap, Check Valve	1
18	40-00491-00	Fitting, ORS, 7/8 x 1-7/16 -12, Brass	1
19	56-00145-26	Tube, Straight, 7/8 OD x .040W Copper x 2.50 Inches Long	1
20	40-01124-00	Body, Valve, Schrader, Brass 1/4 SAE Flare - Includes:	2
21	DD19CA061	Cap, Seal, Flare, 1/4 Inch	1
22	14-00351-00	Core, Access Valve (Nickel Plated)	1
23	34-00799-04	Screw, Hex Head, 5/16-24 x 0.50 Inch Long, SST	2
24	34-00663-12	Washer, Split Lock, 5/16 Inch, SST	2
25	34-00662-12	Washer, Flat, 5/16 Inch, SST	2
26	68-62085-00	Bracket, Support, Solenoid Valve, Painted	1
27	34-00662-11	Washer, Flat, 1/4 Inch, SST	8
28	34-00663-11	Washer, Split Lock, 1/4 Inch, SST	6
29	34-00655-06	Screw, Hex Head, 1/4-20 x 3/4 Inch Long, SST	4
30	14-00236-00	Valve, Solenoid, 5/8 ODF x 7/8 ODM - Includes:	1
31	14-00236-50	Coil, Solenoid Valve, 24 VDC	1
32	14-00236-51	Repair Kit, Solenoid Valve	1
33	34-06264-04	Screw, Hex Head, Slotted With Washer, #8-32 x 0.50 Inch Long, SST	2
34	34-00663-08	Washer, Split Lock, #8, SST	2
35	56-62026-00	Tube, Liquid, Bent, 5/8 OD x .040 Wall Copper (Valve to LSV)	1
36	56-62027-00	Tube, Liquid, Bent, 5/8 OD x .040 Wall Copper (Solenoid to TXV)	1
37	66U1-1214-5	Body, Flange, Thermal Expansion Valve, 5/8 ODF Inlet x 7/8 ODF Outlet	1
38	14-01104-52	Valve, Thermal Expansion, Less Flange, 5 Tons, R-22	1
39	56-62207-00	Tube Assembly, Equalizer, 1/4 OD x .028 Wall Copper	1
40	68-62141-00	Bracket, Support, TXV, Painted	1
41	34-00667-11	Nut, Hex, Self-Locking, 1/4-20, SST	2
42	58-00065-87	Grommet, 1.12 ID x 1.44 Hole, 0.156 Inch Groove	1
43	AC801-606	Grommet, 0.68 ID x 1.00 Hole, 0.250 Inch Groove	1



5.1 Refrigerant Piping Kit - Model 68RM55-100-17 (Continued)

Kit 68RM55-106-7



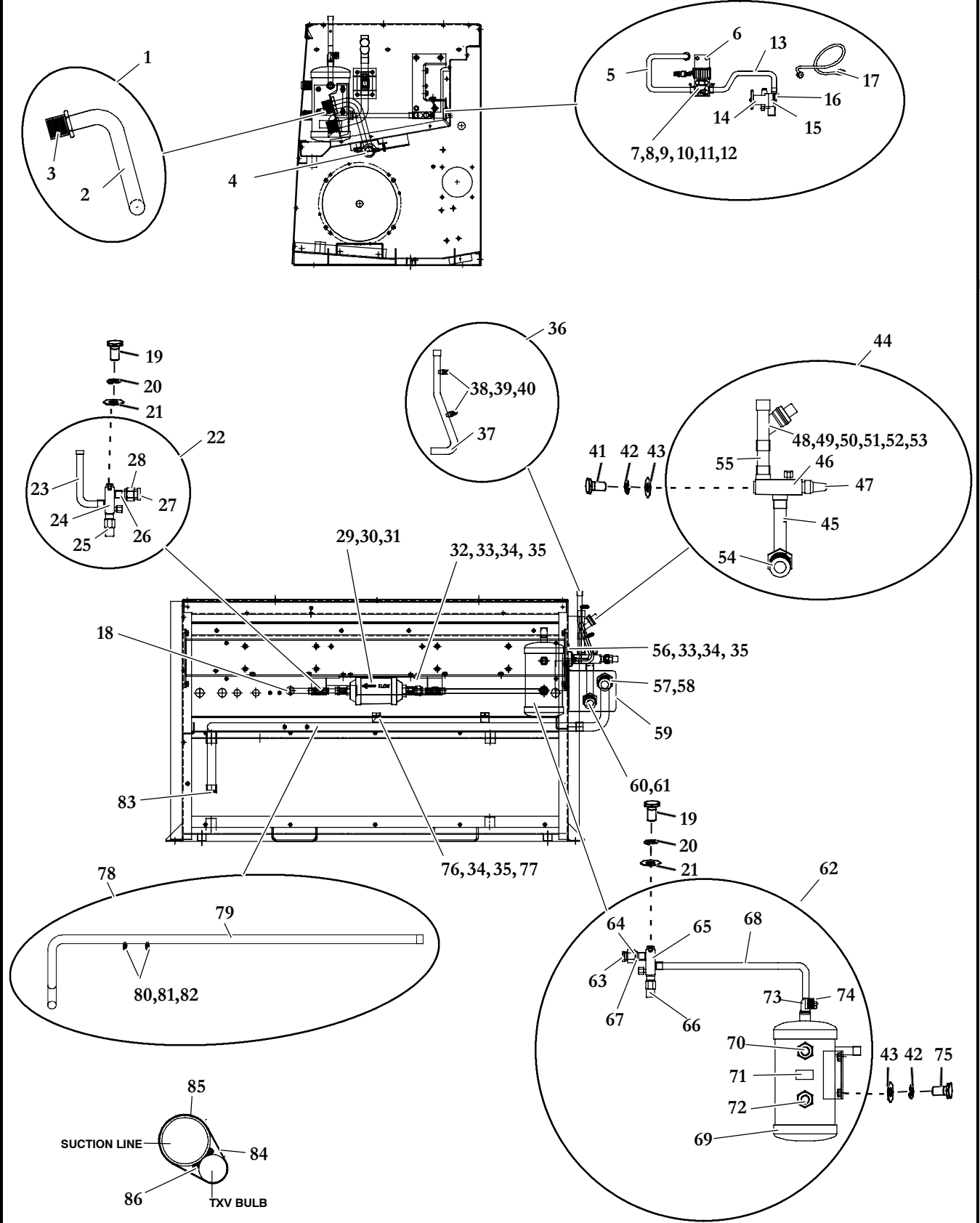


5.1 Refrigerant Piping Kit - Model 68RM55-100-17 (Continued)			
Item	Part Number	Description	Qty
44	68RM55-137	Valve and Tube Assembly - Includes:	1
45	68RM55-1017	Tube, Liquid, Bent, 5/8 OD x .040 Wall Copper	1
46	40-00501-06	Valve, King, Brass, 5/8 ODF	1
47	40-00501-50	Cap, King Valve, Service Part	1
48	56-00143-78	Tube, Straight, 5/8 OD x .040W Copper x 2.06 Inches Long	1
49	40-00503-03	Collar, Tube - 10, 5/8 ORS, Brass	1
50	34-06121-03	Nut, Hex, ORS Braze (1.00 -14 Threads)	1
51	14-00320-00	Drier, Filter 3/4 ORS x 5/8 ORS - Includes:	1
52	42-00243-03	O-Ring, .614 ID x .070 Thick	1
53	42-00243-11	O-Ring, .739 ID x .070 Thick	1
54	68RM35-1112P	Bracket, Support, King Valves, Painted	1
55	34-00655-08	Screw, Hex Head, 1/4-20 x 1.00 Inch Long, SST	4
56	68RM55-1025	Tube, Liquid, Bent, 5/8 OD x .040 Wall Copper	1
57	34-06088-01	Nut, Hex Head, ORS 1.125 x 1.69-12, Plated Steel	1
58	42-00243-01	O-Ring, 1.17 ID x 0.139 Thick	1
59	68RM55-1005P	Bracket, Support, Suction & Discharge Tube, Painted	1
60	34-06088-00	Nut, Hex Head, ORS 0.88 x 1.43-12, Plated Steel	1
61	42-00243-00	O-Ring, 0.921 ID x 0.139 Thick	1
62	68RM55-138-2	Receiver Tank & Liquid Tubing Assembly - Includes:	1
63	40-00503-04	Collar, Tube - 5/8 ORS, Nickel Plated Steel	1
64	34-06121-04	Nut, Hex, ORS Braze(1-3/16-12 Threads)	1
65	40-00501-06	Valve, King, Brass, 5/8 ODF	1
66	40-00501-50	Cap, King Valve, Service Part	1
67	65-01093-00	Receiver Assembly, Plugged, Painted	1
68	14-00111-00	Sight Glass, Receiver, (Red Ball Float)	1
69	40-00060-03	Elbow, Street, 90 Degree, 3/8 FPT x 3/8 MPT	1
70	14-01032-01	Plug, Fusible, Safety, 3/8 NPTF	1
71	56-00143-78	Tube, Straight, 5/8 OD x .040W Copper x 2.06 Inches Long	1
72	56-62029-00	Tube, Liquid, Bent, 5/8 OD x .040 Wall Copper	1
73	AC101-203	Sightglass, Indicator, Moisture, 7/8-14	1
74	AC901-580	Label, Sightglass Wet/Dry	1
75	34-00807-08	Screw, Hex Head, 3/8 -16 x 1.00 Inch Long, SST	4
76	34-00662-13	Washer, Flat, 3/8 Inch, SST	4
77	34-00663-13	Washer, Split Lock, 3/8 Inch, SST	4
78	42-00032-00	Tape, Insulation, Presssite, 2.00 Inches x 30.00 Feet Long	1



5.2 Refrigerant Piping Kit - Models 68RM55-100-22, -23, -24, -25

Kit 68RM55-106-9



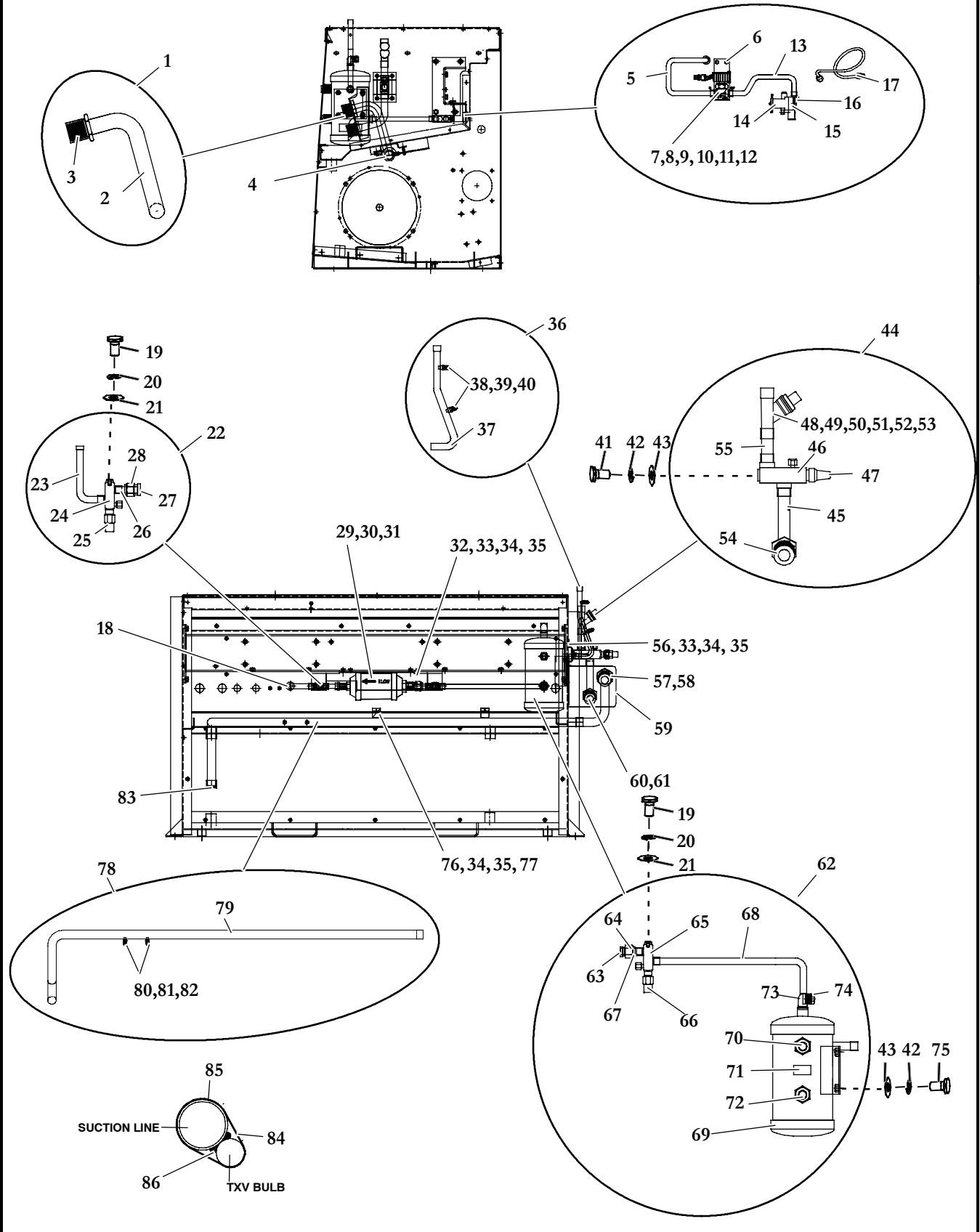


5.2 Refrigerant Piping Kit - Models 68RM55-100-22, -23, -24, -25 (Continued)			
Item	Part Number	Description	Qty
1	81-62068-00	Tube Assembly, Suction - Includes:	1
2	56-62142-00	Tube, Suction, Bent, 1-1/8 OD x .050 Wall Copper	1
3	40-00491-01	Fitting, ORS, 1-1/8 ODF x 1-11/16-12	1
4	58-00065-85	Grommet, 0.88 ID x 1.12 Hole, 0.090 Inch Groove	2
5	56-62089-00	Tube, Liquid, Bent, 5/8 OD x .040 Wall Copper (Valve to LSV)	1
6	68-62158-01	Bracket, Support, Solenoid Valve, Painted	1
7	14-00236-00	Valve, Solenoid, 5/8 ODF x 7/8 ODM - Includes:	1
8	14-00236-50	Coil, Solenoid Valve, 24 VDC	1
9	14-00236-51	Repair Kit, Solenoid Valve	1
10	34-06264-03	Screw, Hex Head, Slotted With Washer, #8-32 x 0.38 Inch Long, SST	2
11	34-00663-08	Washer, Split Lock, #8, SST	2
12	34-00662-08	Washer, Flat, #8, SST	2
13	56-62141-00	Tube, Liquid, Bent, 5/8 OD x .040 Wall Copper (LSV to TXV)	1
14	14-01104-52	Valve, Thermal Expansion, Less Flange, 5 Tons, R-22	1
15	66U1-1214-5	Body, Flange, Thermal Expansion Valve, 5/8 ODF Inlet x 7/8 ODF Outlet	1
16	68-62638-01	Bracket, Support, TXV, Painted	1
17	56-62207-00	Tube Assembly, Equalizer, 1/4 OD x .028 Wall Copper	1
18	58-00065-52	Grommet, 1.50 ID x 1.75 Hole, 0.120 Inch Groove	1
19	34-00799-04	Screw, Hex Head, 5/16-24 x 0.50 Inch Long, SST	2
20	34-00663-12	Washer, Split Lock, 5/16 Inch, SST	2
21	34-00662-12	Washer, Flat, 5/16 Inch, SST	2
22	81-62066-00	Valve and Tube Assembly, Liquid - Includes:	1
23	56-03843-06	Tube, Liquid, Bent, 5/8 OD x .040 Wall Copper	1
24	40-00501-06	Valve, King, Brass, 5/8 ODF	1
25	40-00501-50	Cap, King Valve, Service Part	1
26	56-00143-78	Tube, Straight, 5/8 OD x .040W Copper x 2.06 Inches Long	1
27	40-00503-03	Collar, Tube - 10, 5/8 ORS, Brass	1
28	34-06121-03	Nut, Hex, ORS Braze (1.00 -14 Threads)	1
29	14-00320-00	Drier, Filter 3/4 ORS x 5/8 ORS - Includes:	1
30	42-00243-03	O-Ring, .614 ID x .070 Thick	1
31	42-00243-11	O-Ring, .739 ID x .070 Thick	1
32	68RM35-1112P	Bracket, Support, King Valves, Painted	1
33	34-00655-06	Screw, Hex Head, 1/4-20 x 3/4 Inch Long, SST	10
34	34-00662-11	Washer, Flat, 1/4 Inch, SST	12
35	34-00663-11	Washer, Split Lock, 1/4 Inch, SST	12
36	68RM55-233	Tube Assembly, Liquid - Includes:	1
37	68RM55-1025-1	Tube, Liquid, Bent, 5/8 OD x .040W Copper	1
38	40-01124-00	Body, Valve, Schrader, Brass 1/4 SAE Flare - Includes:	2
39	DD19CA061	Cap, Seal, Flare, 1/4 Inch	1
40	14-00351-00	Core, Access Valve (Nickel Plated)	1
41	34-00855-04	Screw, Cap Hex Head, 3/8 -24 x 0.50 Inch Long, SST	1
42	34-00663-13	Washer, Split Lock, 3/8 Inch, SST	5
43	34-00662-13	Washer, Flat, 3/8 Inch, SST	5



5.2 Refrigerant Piping Kit - Models 68RM55-100-22, -23, -24, -25 (Continued)

Kit 68RM55-106-9



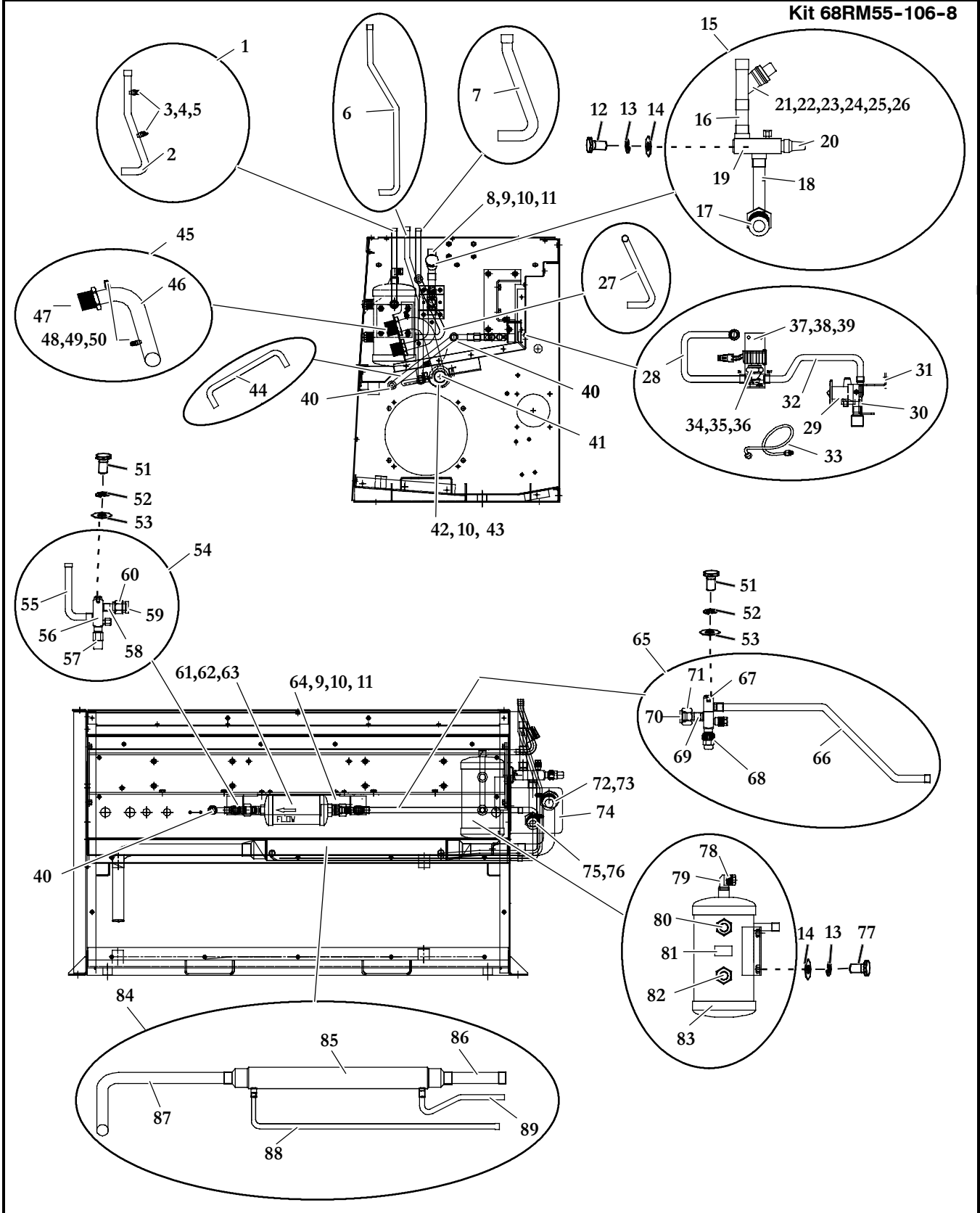


5.2 Refrigerant Piping Kit - Models 68RM55-100-22, -23, -24, -25 (Continued)			
Item	Part Number	Description	Qty
44	81-62067-00	Discharge Tube & Valve Assembly - Includes:	1
45	56-62017-01	Tube, Discharge, Bent, 7/8 OD x .045 Wall Copper	1
46	40-00501-08	Valve, King, Brass, 7/8 ODF	1
47	40-00501-50	Cap, King Valve, Service Part	1
48	14-00281-04	Valve, Check, 7/8 ODF - Includes:	1
49	14-50050-01	Spring And Piston/Seat Assembly - Includes:	1
50	73-50006-00	Spring, Check Valve, SST	1
51	16-03301-00	Gasket, Check Valve	1
52	14-50093-00	Disk, Spacer, Check Valve Cap	1
53	14-50051-00	Cap, Check Valve	1
54	40-00491-00	Fitting, ORS, 7/8 x 1-7/16-12, Brass	1
55	56-00145-26	Tube, Straight, 7/8 OD x .040W Copper x 2.50 Inches Long	1
56	68-62523-00	Bracket, Support, King Valve, Painted	1
57	34-06088-01	Nut, Hex Head, ORS 1.125 x 1.69-12, Plated Steel	1
58	42-00243-01	O-Ring, 1.17 ID x 0.139 Thick	1
59	68-62640-00	Bracket, Support, Suction & Discharge Tube, Painted	1
60	34-06088-00	Nut, Hex Head, ORS 0.88 x 1.43-12, Plated Steel	1
61	42-00243-00	O-Ring, 0.921 ID x 0.139 Thick	1
62	81-62065-00	Receiver Tank & Liquid Tubing Assembly - Includes:	1
63	40-00503-04	Collar, Tube - 5/8 ORS, Nickel Plated Steel	1
64	34-06121-04	Nut, Hex, ORS Braze(1-3/16-12 Threads)	1
65	40-00501-06	Valve, King, Brass, 5/8 ODF	1
66	40-00501-50	Cap, King Valve, Service Part	1
67	56-00143-78	Tube, Straight, 5/8 OD x .040W Copper x 2.06 Inches Long	1
68	56-62140-00	Tube, Liquid, Bent, 5/8 OD x .040 Wall Copper (King Valve to Receiver)	1
69	65-01093-00	Receiver Assembly, Plugged, Painted	1
70	14-00111-00	Sight Glass, Receiver, (Red Ball Float)	1
71	AC901-580	Label, Sightglass Wet/Dry	1
72	AC101-203	Sightglass, Indicator, Moisture, 7/8-14	1
73	40-00060-03	Elbow, Street, 90 Degree, 3/8 FPT x 3/8 MPT	1
74	14-01032-01	Plug, Fusible, Safety, 3/8 NPTF	1
75	34-00807-08	Screw, Hex Head, 3/8 -16 x 1.00 Inch Long, SST	4
76	44-00337-12	Clamp, Loom, Insulated, 1-1/8 Inch	2
77	34-00666-11	Nut, Hex Head, 1/4-20, SST	2
78	81-62069-00	Tube Assembly, Suction - Includes:	1
79	56-62143-00	Tube, Suction, Bent, 1-1/8 OD x .050 Wall Copper	1
80	40-01124-00	Body, Valve, Schrader, Brass 1/4 SAE Flare - Includes:	2
81	DD19CA061	Cap, Seal, Flare, 1/4 Inch	1
82	14-00351-00	Core, Access Valve (Nickel Plated)	1
83	40-00201-15	Bushing, Flush, 1-3/8 ODM x 1-1/8 ODS	1
84	44-00045-03	Clamp, Hose, Worm Type (7/8 - 1-3/4)	2
85	42-00032-00	Tape, Insulation, Presstite, 2.00 Inches x 30.00 Feet Long	1
86	02-00010-01	Grease, Thermomastic, 6cc Syringe	1



6 REFRIGERANT PIPING KIT - R-134a MODELS

6.1 Refrigerant Piping Kit - Models 68RM55-101-3, -4, -5



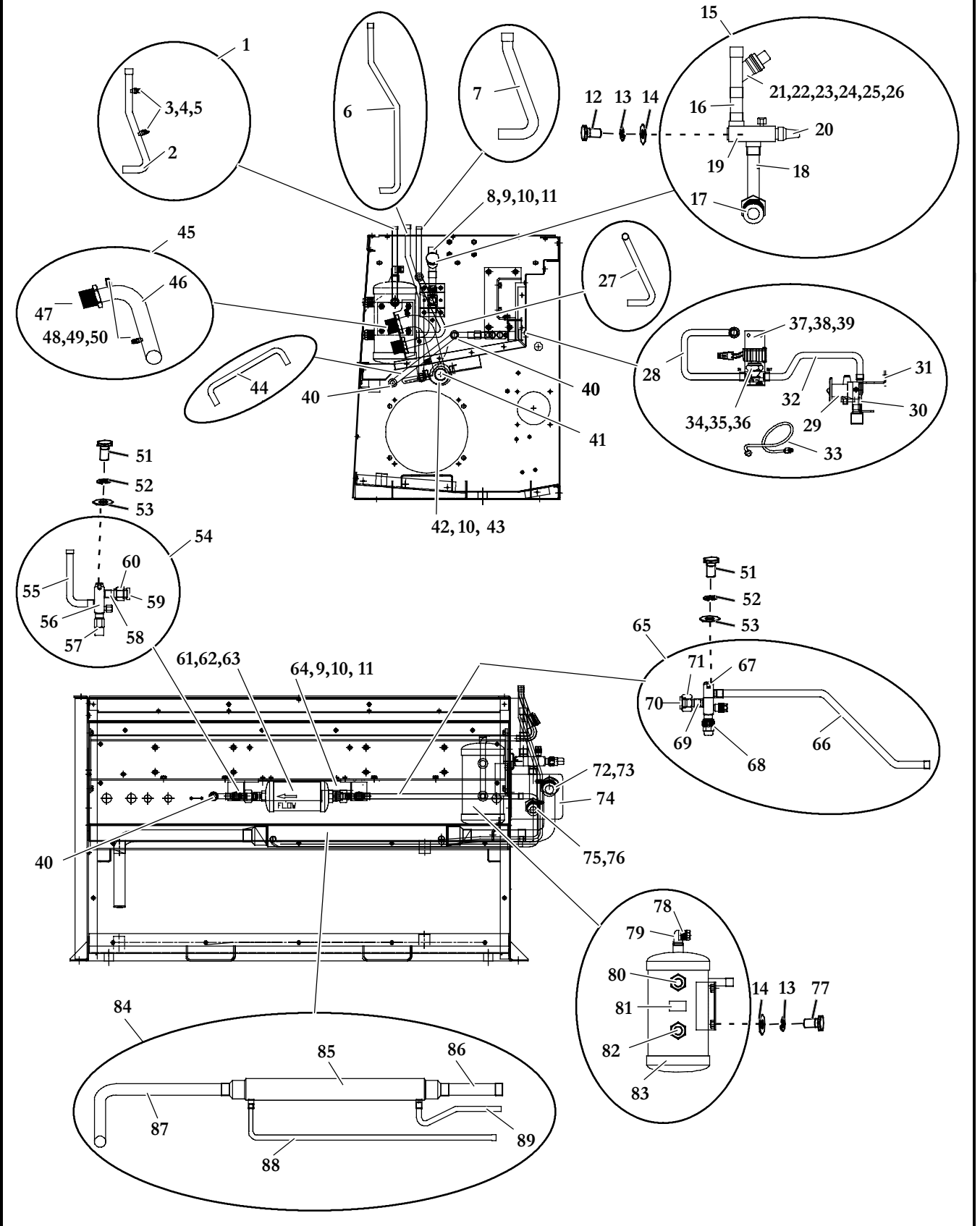


6.1 Refrigerant Piping Kit - Models 68RM55-101-3, -4, -5 (Continued)			
Item	Part Number	Description	Qty
1	68RM55-233	Tube Assembly, Liquid - Includes:	1
2	68RM55-1025-1	Tube, Liquid, Bent, 5/8 OD x .040W Copper	1
3	40-01124-00	Body, Valve, Schrader, Brass 1/4 SAE Flare - Includes:	2
4	DD19CA061	Cap, Seal, Flare, 1/4 Inch	1
5	14-00351-00	Core, Access Valve (Nickel Plated)	1
6	68RM55-1112	Tube, Liquid, Bent, 5/8 OD x .040 Wall Copper	1
7	68RM55-1175	Tube, Liquid, Bent, 5/8 OD x .040 Wall Copper	1
8	68-62523-00	Bracket, Support, King Valve, Painted	1
9	34-00655-06	Screw, Hex Head, 1/4-20 x 3/4 Inch Long, SST	10
10	34-00662-11	Washer, Flat, 1/4 Inch, SST	14
11	34-00663-11	Washer, Split Lock, 1/4 Inch, SST	14
12	34-00855-04	Screw, Cap Hex Head, 3/8 -24 x 0.50 Inch Long, SST	1
13	34-00663-13	Washer, Split Lock, 3/8 Inch, SST	5
14	34-00662-13	Washer, Flat, 3/8 Inch, SST	5
15	68RM55-181	Discharge Tube & Valve Assembly - Includes:	1
16	56-00145-26	Tube, Discharge, Straight, 7/8 OD x .045 Wall Copper x 2.50 Inches Long	1
17	40-00491-00	Fitting, ORS, 7/8 x 1-7/16 -12, Brass	1
18	56-62017-01	Tube, Discharge, Bent, 7/8 OD x .045 Wall Copper	1
19	40-00501-07	Valve, King, Brass, 7/8 ODF	1
20	40-00501-50	Cap, King Valve, Service Part	1
21	14-00281-04	Valve, Check, 7/8 ODF - Includes:	1
22	14-50050-01	Spring And Piston/Seat Assembly - Includes:	1
23	73-50006-00	Spring, Check Valve, SST	1
24	16-03301-00	Gasket, Check Valve	1
25	14-50093-00	Disk, Spacer, Check Valve Cap	1
26	14-50051-00	Cap, Check Valve	1
27	68RM55-1111	Tube, Liquid, Bent, 5/8 OD x .040 Wall Copper	1
28	56-62089-00	Tube, Liquid, Bent, 5/8 OD x .040 Wall Copper (Valve to LSV)	1
29	14-01104-44	Valve, Thermal Expansion, Less Flange, 5.5 Tons, R-134a	1
30	66U1-1214-5	Body, Flange, Thermal Expansion Valve, 5/8 ODF Inlet x 7/8 ODF Outlet	1
31	68-62638-01	Bracket, Support, TXV, Painted	1
32	56-62088-00	Tube, Liquid, Bent, 5/8 OD x .040 Wall Copper (Solenoid to TXV)	1
33	56-62207-00	Tube Assembly, Equalizer, 1/4 OD x .028 Wall Copper	1
34	14-00236-00	Valve, Solenoid, 5/8 ODF x 7/8 ODM - Includes:	1
35	14-00236-50	Coil, Solenoid Valve, 24 VDC	1
36	14-00236-51	Repair Kit, Solenoid Valve	1
37	68-62158-01	Bracket, Support, Solenoid Valve, Painted	1
38	34-06264-03	Screw, Hex Head, Slotted With Washer, #8-32 x 0.38 Inch Long, SST	2
39	34-00663-08	Washer, Split Lock, #8, SST	2
40	58-00065-85	Grommet, 0.88 ID x 1.12 Hole, 0.090 Inch Groove	5
41	58-00065-52	Grommet, 1.50 ID x 1.75 Hole, 0.120 Inch Groove	1
42	68RM40-1188	Bracket, Heat Exchanger, SST	2
43	34-00666-11	Nut, Hex Head, 1/4-20, SST	4
44	68RM55-1115	Tube, Liquid, Bent, 5/8 OD x .040 Wall Copper	1



6.1 Refrigerant Piping Kit - Models 68RM55-101-3, -4, -5 (Continued)

Kit 68RM55-106-8

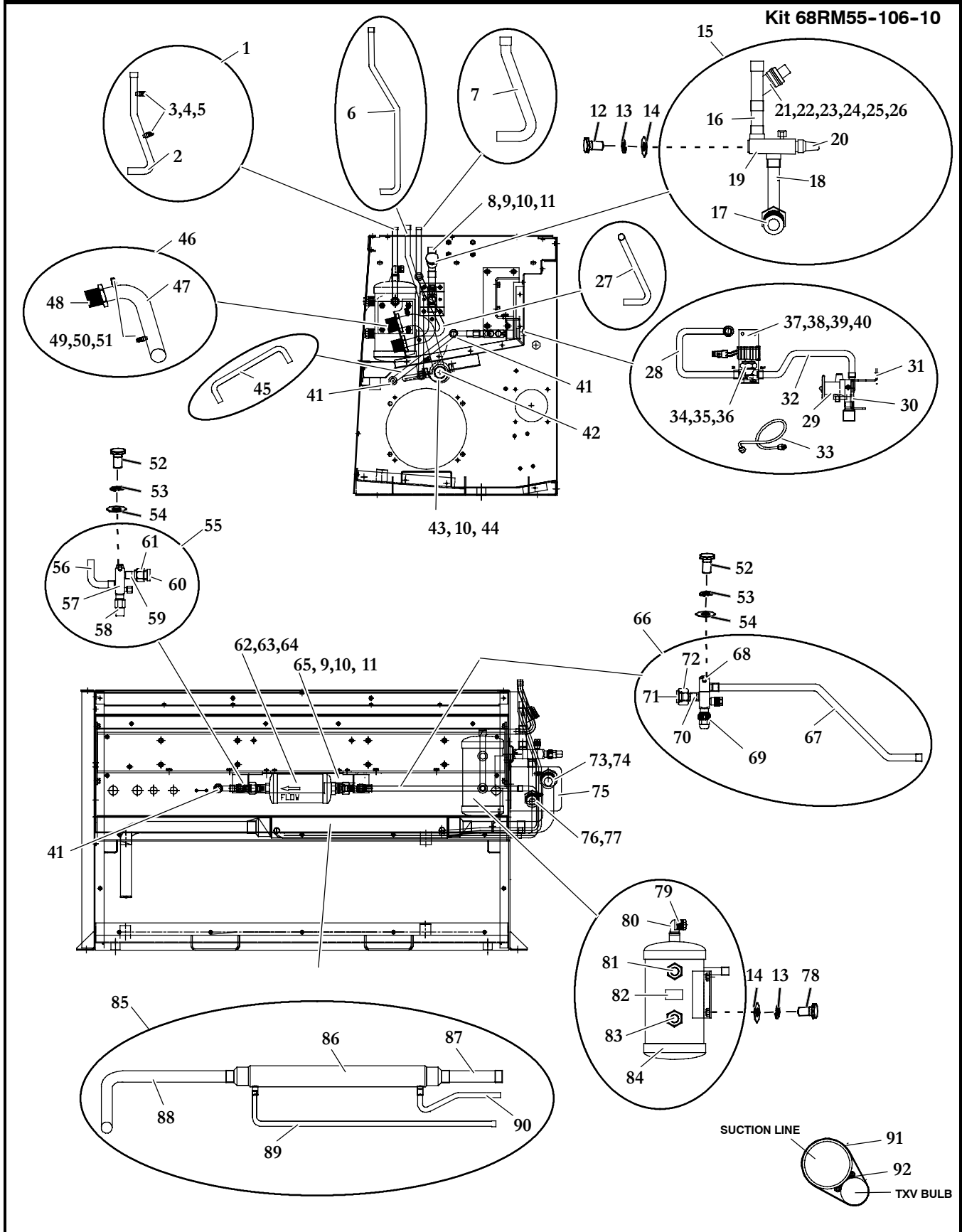




6.1 Refrigerant Piping Kit - Models 68RM55-101-3, -4, -5 (Continued)			
Item	Part Number	Description	Qty
45	68RM55-231	Tube Assembly, Suction - Includes:	1
46	68RM55-1166	Tube, Suction, Bent, 1-3/8 OD x .055 Wall Copper	1
47	40-00491-04	Fitting, ORS, 1-3/8 ODF x 2.00 -12	1
48	40-01124-00	Body, Valve, Schrader, Brass 1/4 SAE Flare - Includes:	2
49	DD19CA061	Cap, Seal, Flare, 1/4 Inch	1
50	14-00351-00	Core, Access Valve (Nickel Plated)	1
51	34-00799-04	Screw, Hex Head, 5/16-24 x 0.50 Inch Long, SST	2
52	34-00662-12	Washer, Flat, 5/16 Inch, SST	2
53	34-00663-12	Washer, Split Lock, 5/16 Inch, SST	2
54	81-62025-00	Valve and Tube Assembly, Liquid - Includes:	1
55	68RM35-1162-3	Tube, Liquid, Bent, 5/8 OD x .040 Wall Copper	1
56	40-00501-05	Valve, King, Brass, 5/8 ODF	1
57	40-00501-50	Cap, King Valve, Service Part	1
58	56-00143-75	Tube, Straight, 5/8 OD x .040W Copper x 1.625 Inches Long	1
59	40-00503-03	Collar, Tube - 10, 5/8 ORS, Brass	1
60	34-06121-03	Nut, Hex, ORS Braze (1.00 -14 Threads)	1
61	14-00320-00	Drier, Filter 3/4 ORS x 5/8 ORS - Includes:	1
62	42-00243-03	O-Ring, .614 ID x .070 Thick	1
63	42-00243-11	O-Ring, .739 ID x .070 Thick	1
64	68-62266-00	Bracket, Support, King Valves, Painted	1
65	81-62051-00	Valve and Tube Assembly, Liquid - Includes:	1
66	56-62126-00	Tube, Liquid, Bent, 5/8 OD x .040 Wall Copper	1
67	40-00501-05	Valve, King, Brass, 5/8 ODF	1
68	40-00501-50	Cap, King Valve, Service Part	1
69	56-00143-75	Tube, Straight, 5/8 OD x .040W Copper x 1.625 Inches Long	1
70	40-00503-04	Collar, Tube - 5/8 ORS, Nickel Plated Steel	1
71	34-06121-04	Nut, Hex, ORS Braze(1-3/16-12 Threads)	1
72	34-06088-02	Nut, Hex Head, ORS 1.50 x 2.00-12, Plated Steel	1
73	42-00243-02	O-Ring, 1.484 ID x 0.139 Thick	1
74	68RM55-1168P	Bracket, Support, Suction & Discharge Tube, Painted	1
75	34-06088-00	Nut, Hex Head, ORS 0.88 x 1.43-12, Plated Steel	1
76	42-00243-00	O-Ring, 0.921 ID x 0.139 Thick	1
77	34-00807-08	Screw, Hex Head, 3/8 -16 x 1.00 Inch Long, SST	4
78	14-01032-01	Plug, Fusible, Safety, 3/8 NPTF	1
79	40-00060-03	Elbow, Street, 90 Degree, 3/8 FPT x 3/8 MPT	1
80	14-00111-00	Sight Glass, Receiver, (Red Ball Float)	1
81	AC901-580	Label, Sightglass Wet/Dry	1
82	AC101-203	Sightglass, Indicator, Moisture, 7/8-14	1
83	65-01093-00	Receiver Assembly, Plugged, Painted	1
84	81-62055-00	Heat Exchanger & Tubing Assembly, Liquid/Suction - Includes:	1
85	AC101-900	Heat Exchanger, Liquid/Suction	1
86	68RM55-1141	Tube, Suction, Straight, 1-3/8OD x .055W Copper x 7.57 Inches Long	1
87	68RM55-1118	Tube, Suction, Bent, 1-3/8OD x .055W Copper	1
88	68RM55-1114	Tube, Liquid, Bent, 5/8 OD x .040 Wall Copper	1
89	68RM55-1113	Tube, Liquid, Bent, 5/8 OD x .040 Wall Copper	1



6.2 Refrigerant Piping Kit - Models 68RM55-101-6, -7, -8, -9, -10, -12, -15, -16, -19, -20, -23, -24, -25





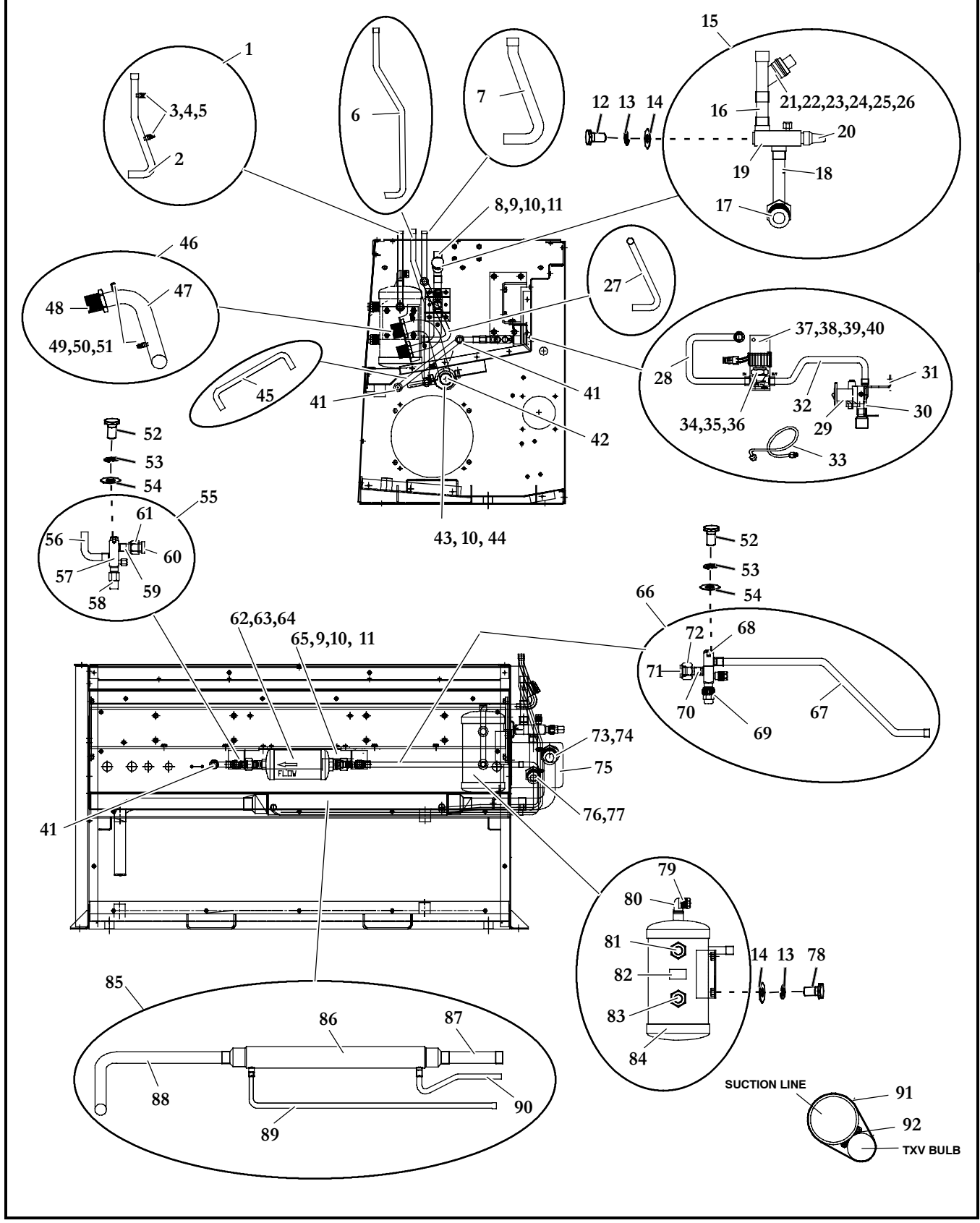
6.2 Refrigerant Piping Kit - Models 68RM55-101-6, -7, -8, -9, -10, -12, -15, -16, -19, -20, -23, -24, -25 (Continued)

Item	Part Number	Description	Qty
1	68RM55-233	Tube Assembly, Liquid - Includes:	1
2	68RM55-1025-1	Tube, Liquid, Bent, 5/8 OD x .040W Copper	1
3	40-01124-00	Body, Valve, Schrader, Brass 1/4 SAE Flare - Includes:	2
4	DD19CA061	Cap, Seal, Flare, 1/4 Inch	1
5	14-00351-00	Core, Access Valve (Nickel Plated)	1
6	68RM55-1112	Tube, Liquid, Bent, 5/8 OD x .040 Wall Copper	1
7	68RM55-1175	Tube, Liquid, Bent, 5/8 OD x .040 Wall Copper	1
8	68-62523-00	Bracket, Support, King Valve, Painted	1
9	34-00655-06	Screw, Hex Head, 1/4-20 x 3/4 Inch Long, SST	10
10	34-00662-11	Washer, Flat, 1/4 Inch, SST	14
11	34-00663-11	Washer, Split Lock, 1/4 Inch, SST	14
12	34-00855-04	Screw, Cap Hex Head, 3/8 -24 x 0.50 Inch Long, SST	1
13	34-00663-13	Washer, Split Lock, 3/8 Inch, SST	5
14	34-00662-13	Washer, Flat, 3/8 Inch, SST	5
15	68RM55-181	Discharge Tube & Valve Assembly - Includes:	1
16	56-00145-26	Tube, Discharge, Straight, 7/8 OD x .045 Wall Copper x 2.50 Inches Long	1
17	40-00491-00	Fitting, ORS, 7/8 x 1-7/16 -12, Brass	1
18	56-62017-01	Tube, Discharge, Bent, 7/8 OD x .045 Wall Copper	1
19	40-00501-07	Valve, King, Brass, 7/8 ODF	1
20	40-00501-50	Cap, King Valve, Service Part	1
21	14-00281-04	Valve, Check, 7/8 ODF - Includes:	1
22	14-50050-01	Spring And Piston/Seat Assembly - Includes:	1
23	73-50006-00	Spring, Check Valve, SST	1
24	16-03301-00	Gasket, Check Valve	1
25	14-50093-00	Disk, Spacer, Check Valve Cap	1
26	14-50051-00	Cap, Check Valve	1
27	68RM55-1111	Tube, Liquid, Bent, 5/8 OD x .040 Wall Copper	1
28	56-62089-00	Tube, Liquid, Bent, 5/8 OD x .040 Wall Copper (Valve to LSV)	1
29	14-01104-44	Valve, Thermal Expansion, Less Flange, 5.5 Tons, R-134a	1
30	66U1-1214-5	Body, Flange, Thermal Expansion Valve, 5/8 ODF Inlet x 7/8 ODF Outlet	1
31	68-62638-01	Bracket, Support, TXV, Painted	1
32	56-62141-00	Tube, Liquid, Bent, 5/8 OD x .040 Wall Copper (Solenoid to TXV)	1
33	56-62207-00	Tube Assembly, Equalizer, 1/4 OD x .028 Wall Copper	1
34	14-00236-00	Valve, Solenoid, 5/8 ODF x 7/8 ODM - Includes:	1
35	14-00236-50	Coil, Solenoid Valve, 24 VDC	1
36	14-00236-51	Repair Kit, Solenoid Valve	1
37	68-62158-01	Bracket, Support, Solenoid Valve, Painted	1
38	34-06264-03	Screw, Hex Head, Slotted With Washer, #8-32 x 0.38 Inch Long, SST	2
39	34-00663-08	Washer, Split Lock, #8, SST	2
40	34-00662-08	Washer, Flat, #8, SST	2
41	58-00065-85	Grommet, 0.88 ID x 1.12 Hole, 0.090 Inch Groove	5
42	58-00065-52	Grommet, 1.50 ID x 1.75 Hole, 0.120 Inch Groove	1
43	68RM40-1188	Bracket, Heat Exchanger, SST	2
44	34-00666-11	Nut, Hex Head, 1/4-20, SST	4



6.2 Refrigerant Piping Kit - Models 68RM55-101-6, -7, -8, -9, -10, -12, -15, -16, -19, -20, -23, -24, -25 (Continued)

Kit 68RM55-106-10





6.2 Refrigerant Piping Kit - Models 68RM55-101-6, -7, -8, -9, -10, -12, -15, -16, -19, -20, -23, -24, -25 (Continued)

Item	Part Number	Description	Qty
45	68RM55-1115	Tube, Liquid, Bent, 5/8 OD x .040 Wall Copper	1
46	68RM55-231	Tube Assembly, Suction - Includes:	1
47	68RM55-1166	Tube, Suction, Bent, 1-3/8 OD x .055 Wall Copper	1
48	40-00491-04	Fitting, ORS, 1-3/8 ODF x 2.00 -12	1
49	40-01124-00	Body, Valve, Schrader, Brass 1/4 SAE Flare - Includes:	2
50	DD19CA061	Cap, Seal, Flare, 1/4 Inch	1
51	14-00351-00	Core, Access Valve (Nickel Plated)	1
52	34-00799-04	Screw, Hex Head, 5/16-24 x 0.50 Inch Long, SST	2
53	34-00662-12	Washer, Flat, 5/16 Inch, SST	2
54	34-00663-12	Washer, Split Lock, 5/16 Inch, SST	2
55	81-62081-00	Valve and Tube Assembly, Liquid - Includes:	1
56	56-03843-06	Tube, Liquid, Bent, 5/8 OD x .040 Wall Copper	1
57	40-00501-05	Valve, King, Brass, 5/8 ODF	1
58	40-00501-50	Cap, King Valve, Service Part	1
59	56-00143-74	Tube, Straight, 5/8 OD x .040W Copper x 1.84 Inches Long	1
60	40-00503-03	Collar, Tube - 10, 5/8 ORS, Brass	1
61	34-06121-03	Nut, Hex, ORS Braze (1.00 -14 Threads)	1
62	14-00320-00	Drier, Filter 3/4 ORS x 5/8 ORS - Includes:	1
63	42-00243-03	O-Ring, .614 ID x .070 Thick	1
64	42-00243-11	O-Ring, .739 ID x .070 Thick	1
65	68-62649-00	Bracket, Support, King Valves, Painted	1
66	81-62051-00	Valve and Tube Assembly, Liquid - Includes:	1
67	56-62126-00	Tube, Liquid, Bent, 5/8 OD x .040 Wall Copper	1
68	40-00501-05	Valve, King, Brass, 5/8 ODF	1
69	40-00501-50	Cap, King Valve, Service Part	1
70	56-00143-75	Tube, Straight, 5/8 OD x .040W Copper x 1.625 Inches Long	1
71	40-00503-04	Collar, Tube - 5/8 ORS, Nickel Plated Steel	1
72	34-06121-04	Nut, Hex, ORS Braze(1-3/16-12 Threads)	1
73	34-06088-02	Nut, Hex Head, ORS 1.50 x 2.00-12, Plated Steel	1
74	42-00243-02	O-Ring, 1.484 ID x 0.139 Thick	1
75	68RM55-1168P	Bracket, Support, Suction & Discharge Tube, Painted	1
76	34-06088-00	Nut, Hex Head, ORS 0.88 x 1.43-12, Plated Steel	1
77	42-00243-00	O-Ring, 0.921 ID x 0.139 Thick	1
78	34-00807-08	Screw, Hex Head, 3/8-16 x 1.00 Inch Long, SST	4
79	14-01032-01	Plug, Fusible, Safety, 3/8 NPTF	1
80	40-00060-03	Elbow, Street, 90 Degree, 3/8 FPT x 3/8 MPT	1
81	14-00111-00	Sight Glass, Receiver, (Red Ball Float)	1
82	AC901-580	Label, Sightglass Wet/Dry	1
83	AC101-203	Sightglass, Indicator, Moisture, 7/8-14	1
84	65-01093-00	Receiver Assembly, Plugged, Painted	1
85	81-62055-00	Heat Exchanger & Tubing Assembly, Liquid/Suction - Includes:	1
86	AC101-900	Heat Exchanger, Liquid/Suction	1
87	68RM55-1141	Tube, Suction, Straight, 1-3/8OD x .055W Copper x 7.57 Inches Long	1
88	68RM55-1118	Tube, Suction, Bent, 1-3/8OD x .055W Copper	1
89	68RM55-1114	Tube, Liquid, Bent, 5/8 OD x .040 Wall Copper	1

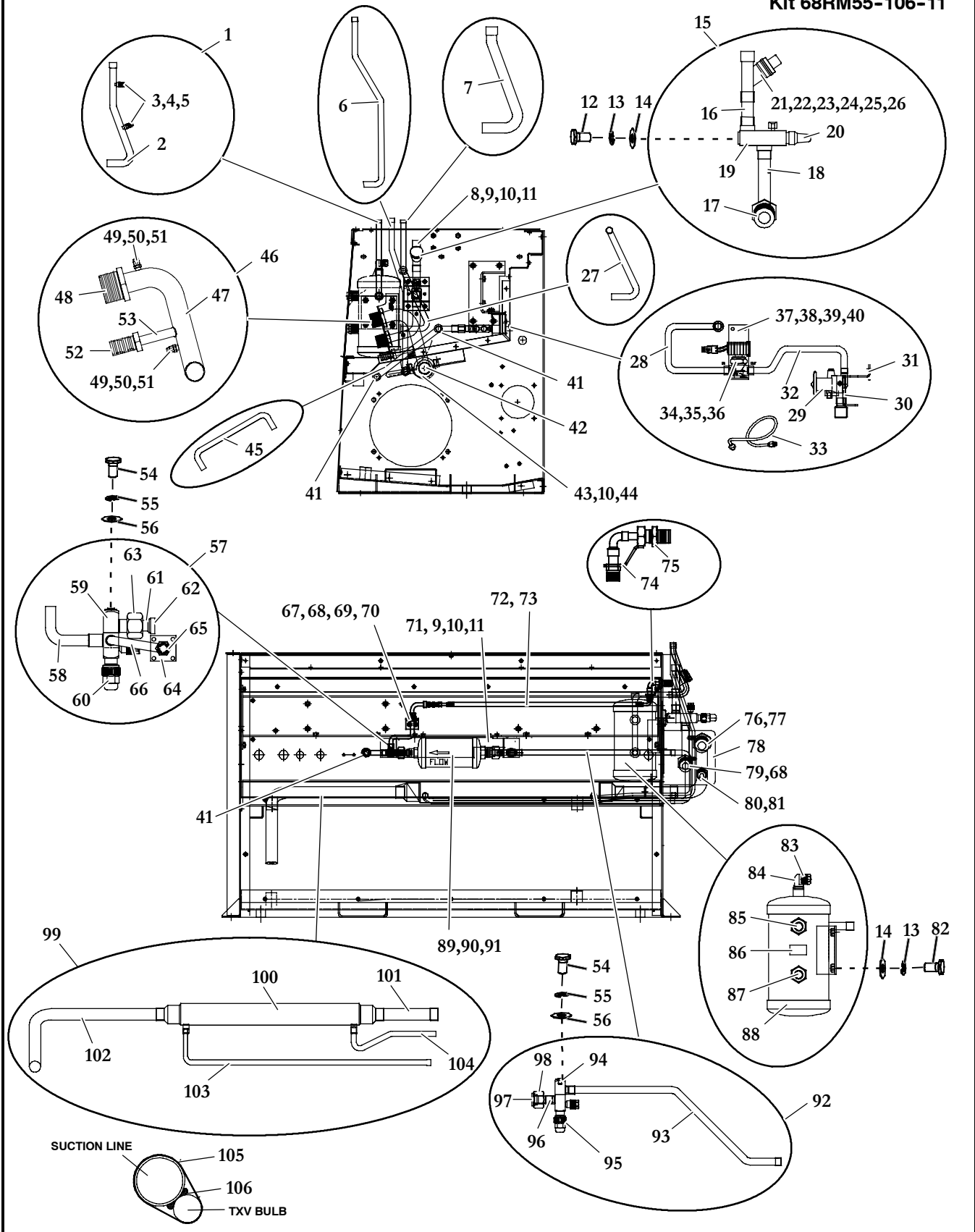


6.2 Refrigerant Piping Kit - Models 68RM55-101-6, -7, -8, -9, -10, -12, -15, -16, -19, -20, -23, -24, -25 (Continued)			
Item	Part Number	Description	Qty
90	68RM55-1113	Tube, Liquid, Bent, 5/8 OD x .040 Wall Copper	1
91	42-00032-00	Tape, Insulation, Presstite, 2.00 Inches x 30.00 Feet Long	1
92	02-00010-01	Grease, Thermomastic, 6cc Syringe	1



6.3 Refrigerant Piping Kit - Models 68RM55-101-11, -17, -18, -21, -26

Kit 68RM55-106-11



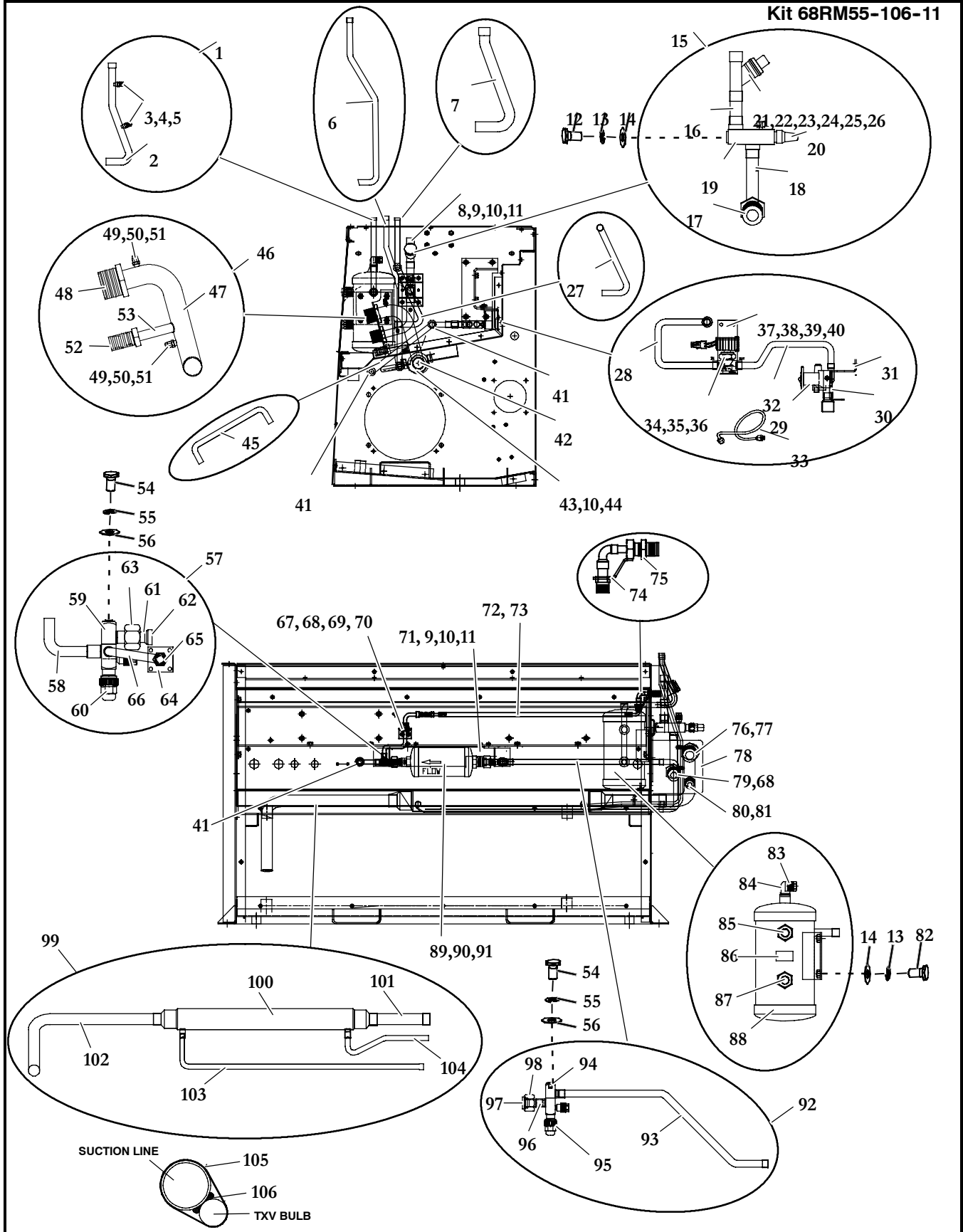


6.3 Refrigerant Piping Kit - Models 68RM55-101-11, -17, -18, -21, -26 (Continued)			
Item	Part Number	Description	Qty
1	68RM55-233	Tube Assembly, Liquid - Includes:	1
2	68RM55-1025-1	Tube, Liquid, Bent, 5/8 OD x .040W Copper	1
3	40-01124-00	Body, Valve, Schrader, Brass 1/4 SAE Flare - Includes:	2
4	DD19CA061	Cap, Seal, Flare, 1/4 Inch	1
5	14-00351-00	Core, Access Valve (Nickel Plated)	1
6	68RM55-1112	Tube, Liquid, Bent, 5/8 OD x .040 Wall Copper	1
7	68RM55-1175	Tube, Liquid, Bent, 5/8 OD x .040 Wall Copper	1
8	68-62523-00	Bracket, Support, King Valve, Painted	1
9	34-00655-06	Screw, Hex Head, 1/4-20 x 3/4 Inch Long, SST	10
10	34-00662-11	Washer, Flat, 1/4 Inch, SST	14
11	34-00663-11	Washer, Split Lock, 1/4 Inch, SST	14
12	34-00855-04	Screw, Cap Hex Head, 3/8-24 x 0.50 Inch Long, SST	1
13	34-00663-13	Washer, Split Lock, 3/8 Inch, SST	5
14	34-00662-13	Washer, Flat, 3/8 Inch, SST	5
15	68RM55-181	Discharge Tube & Valve Assembly - Includes:	1
16	56-00145-26	Tube, Discharge, Straight, 7/8 OD x .045 Wall Copper x 2.50 Inches Long	1
17	40-00491-00	Fitting, ORS, 7/8 x 1-7/16-12, Brass	1
18	56-62017-01	Tube, Discharge, Bent, 7/8 OD x .045 Wall Copper	1
19	40-00501-07	Valve, King, Brass, 7/8 ODF	1
20	40-00501-50	Cap, King Valve, Service Part	1
21	14-00281-04	Valve, Check, 7/8 ODF - Includes:	1
22	14-50050-01	Spring And Piston/Seat Assembly - Includes:	1
23	73-50006-00	Spring, Check Valve, SST	1
24	16-03301-00	Gasket, Check Valve	1
25	14-50093-00	Disk, Spacer, Check Valve Cap	1
26	14-50051-00	Cap, Check Valve	1
27	68RM55-1111	Tube, Liquid, Bent, 5/8 OD x .040 Wall Copper	1
28	56-62089-00	Tube, Liquid, Bent, 5/8 OD x .040 Wall Copper (Valve to LSV)	1
29	14-01104-44	Valve, Thermal Expansion, Less Flange, 5.5 Tons, R-134a	1
30	66U1-1214-5	Body, Flange, Thermal Expansion Valve, 5/8 ODF Inlet x 7/8 ODF Outlet	1
31	68-62638-01	Bracket, Support, TXV, Painted	1
32	56-62141-00	Tube, Liquid, Bent, 5/8 OD x .040 Wall Copper (Solenoid to TXV)	1
33	56-62207-00	Tube Assembly, Equalizer, 1/4 OD x .028 Wall Copper	1
34	14-00236-00	Valve, Solenoid, 5/8 ODF x 7/8 ODM - Includes:	1
35	14-00236-50	Coil, Solenoid Valve, 24 VDC	1
36	14-00236-51	Repair Kit, Solenoid Valve	1
37	68-62158-01	Bracket, Support, Solenoid Valve, Painted	1
38	34-06264-03	Screw, Hex Head, Slotted With Washer, #8-32 x 0.38 Inch Long, SST	2
39	34-00663-08	Washer, Split Lock, #8, SST	2
40	34-00662-08	Washer, Flat, #8, SST	2
41	58-00065-85	Grommet, 0.88 ID x 1.12 Hole, 0.090 Inch Groove	5
42	58-00065-52	Grommet, 1.50 ID x 1.75 Hole, 0.120 Inch Groove	1
43	68RM40-1188	Bracket, Heat Exchanger, SST	2
44	34-00666-11	Nut, Hex Head, 1/4-20, SST	4



6.3 Refrigerant Piping Kit - Models 68RM55-101-11, -17, -18, -21, -26 (Continued)

Kit 68RM55-106-11

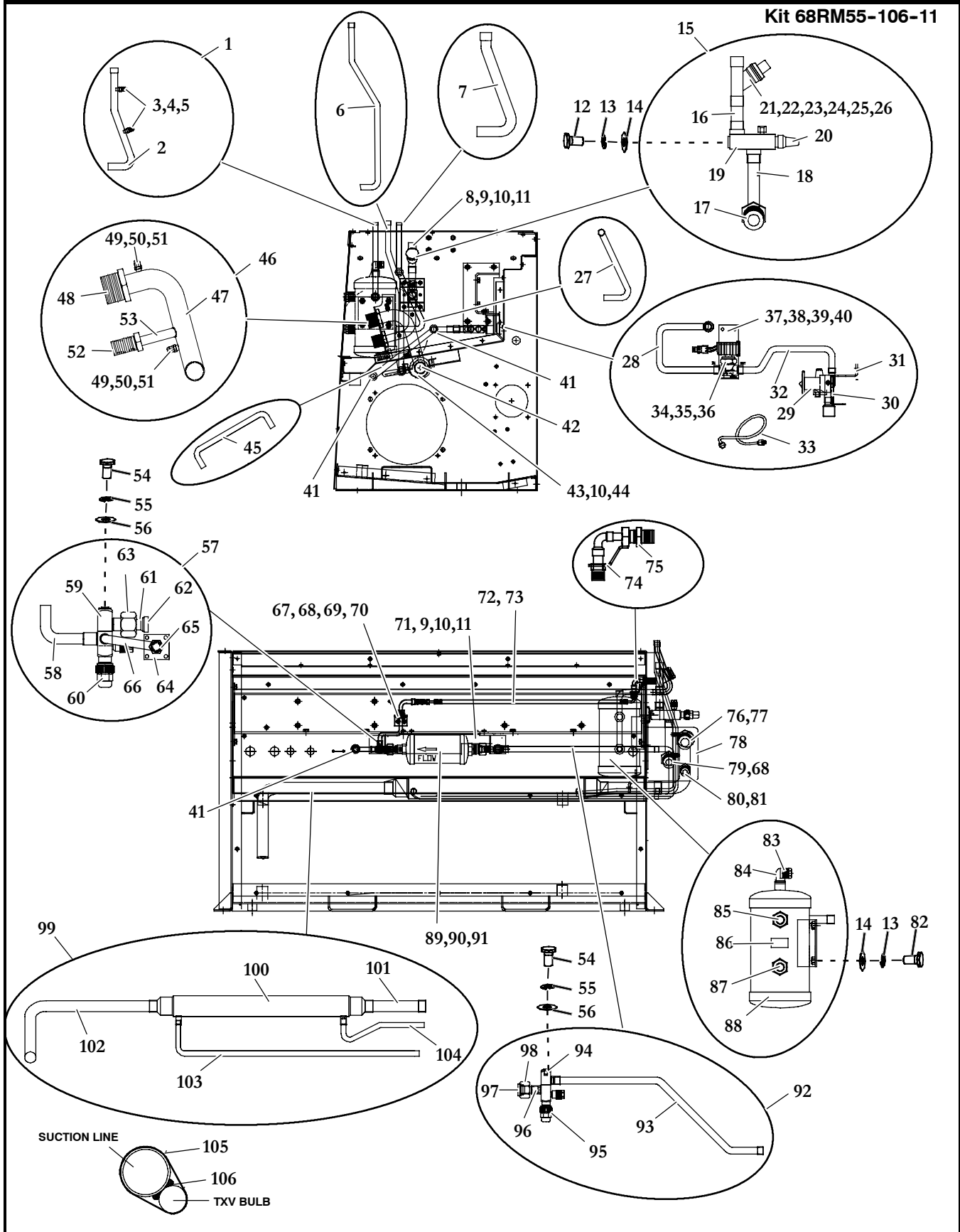




6.3 Refrigerant Piping Kit - Models 68RM55-101-11, -17, -18, -21, -26 (Continued)			
Item	Part Number	Description	Qty
45	68RM55-1115	Tube, Liquid, Bent, 5/8 OD x .040 Wall Copper	1
46	81-02653-01	Tube Assembly, Suction - Includes:	1
47	56-03900-01	Tube, Suction, Bent, 1-3/8 OD x .055 Wall Copper	1
48	40-00491-04	Fitting, ORS, 1-3/8 ODF x 2.00 -12	1
49	40-01124-00	Body, Valve, Schrader, Brass 1/4 SAE Flare - Includes:	2
50	DD19CA061	Cap, Seal, Flare, 1/4 Inch	1
51	14-00351-00	Core, Access Valve (Nickel Plated)	1
52	40-00491-15	Fitting, ORS, 5/8 ODF x 1.00-14 (Auxiliary Cooler)	1
53	56-03901-00	Tube, Suction, Straight, 5/8 OD x .035 Wall Copper (Bead On One End)	1
54	34-00799-04	Screw, Hex Head, 5/16-24 x 0.50 Inch Long, SST	2
55	34-00663-12	Washer, Split Lock, 5/16 Inch, SST	2
56	34-00662-12	Washer, Flat, 5/16 Inch, SST	2
57	81-62087-00	Valve and Tube Assembly, Liquid - Includes:	1
58	56-03843-06	Tube, Liquid, Bent, 5/8 OD x .040 Wall Copper	1
59	40-62028-00	Valve, King, Brass, 5/8 ODF x 5/8 ODF x 1/2 ODF	1
60	40-00501-50	Cap, King Valve, Service Part	1
61	56-00143-74	Tube, Straight, 5/8 OD x .040W Copper x 1.84 Inches Long	1
62	40-00503-03	Collar, Tube - 10, 5/8 ORS, Brass	1
63	34-06121-03	Nut, Hex, ORS Braze (1.00-14 Threads)	1
64	40-62032-02	Fitting, Swivel Nut, 1/2 x 3/4-16 M.I.O.	1
65	68-62492-00	Plate, Support, Brass	1
66	56-62093-00	Tube, Liquid, Bent, 1/2 OD x .035 Wall Copper	1
67	68-62504-00	Bracket, Support, Painted	1
68	42-00243-00	O-Ring, 0.921 ID x 0.139 Thick	1
69	34-00655-06	Screw, Hex Head, 1/4-20 x 3/4 Inch Long, SST	4
70	AC701-400	Rivet, Pop, 3/16 Inch	2
71	68-62649-00	Bracket, Support, King Valves, Painted	1
72	58-62022-00	Hose Assembly, Liquid (Auxiliary Cooler)	1
73	34-00373-13	Clamp, Tube, Neoprene Cushion, 1.00 Inch Diameter	2
74	81-02654-00	Tube Assembly, Liquid (Auxiliary Cooler)	1
75	34-06088-05	Nut, Hex Head, ORS 0.375 x 0.688-16, Plated Steel	1
76	34-06088-02	Nut, Hex Head, ORS 1.50 x 2.00-12, Plated Steel	1
77	42-00243-02	O-Ring, 1.484 ID x 0.139 Thick	1
78	68-08074-01	Bracket, Support, Suction Tube, Painted (Auxiliary Cooler)	1
79	34-06088-00	Nut, Hex Head, ORS 0.88 x 1.43-12, Plated Steel	1
80	34-06088-04	Nut, Hex Head, ORS 0.625 x 1.00-14, Plated Steel	1
81	42-00243-03	O-Ring, .614 ID x .070 Thick	1
82	34-00807-08	Screw, Hex Head, 3/8-16 x 1.00 Inch Long, SST	4
83	14-01032-01	Plug, Fusible, Safety, 3/8 NPTF	1
84	40-00060-03	Elbow, Street, 90 Degree, 3/8 FPT x 3/8 MPT	1
85	14-00111-00	Sight Glass, Receiver, (Red Ball Float)	1
86	AC901-580	Label, Sightglass Wet/Dry	1
87	AC101-203	Sightglass, Indicator, Moisture, 7/8-14	1
88	65-01093-00	Receiver Assembly, Plugged, Painted	1



6.3 Refrigerant Piping Kit - Models 68RM55-101-11, -17, -18, -21, -26 (Continued)

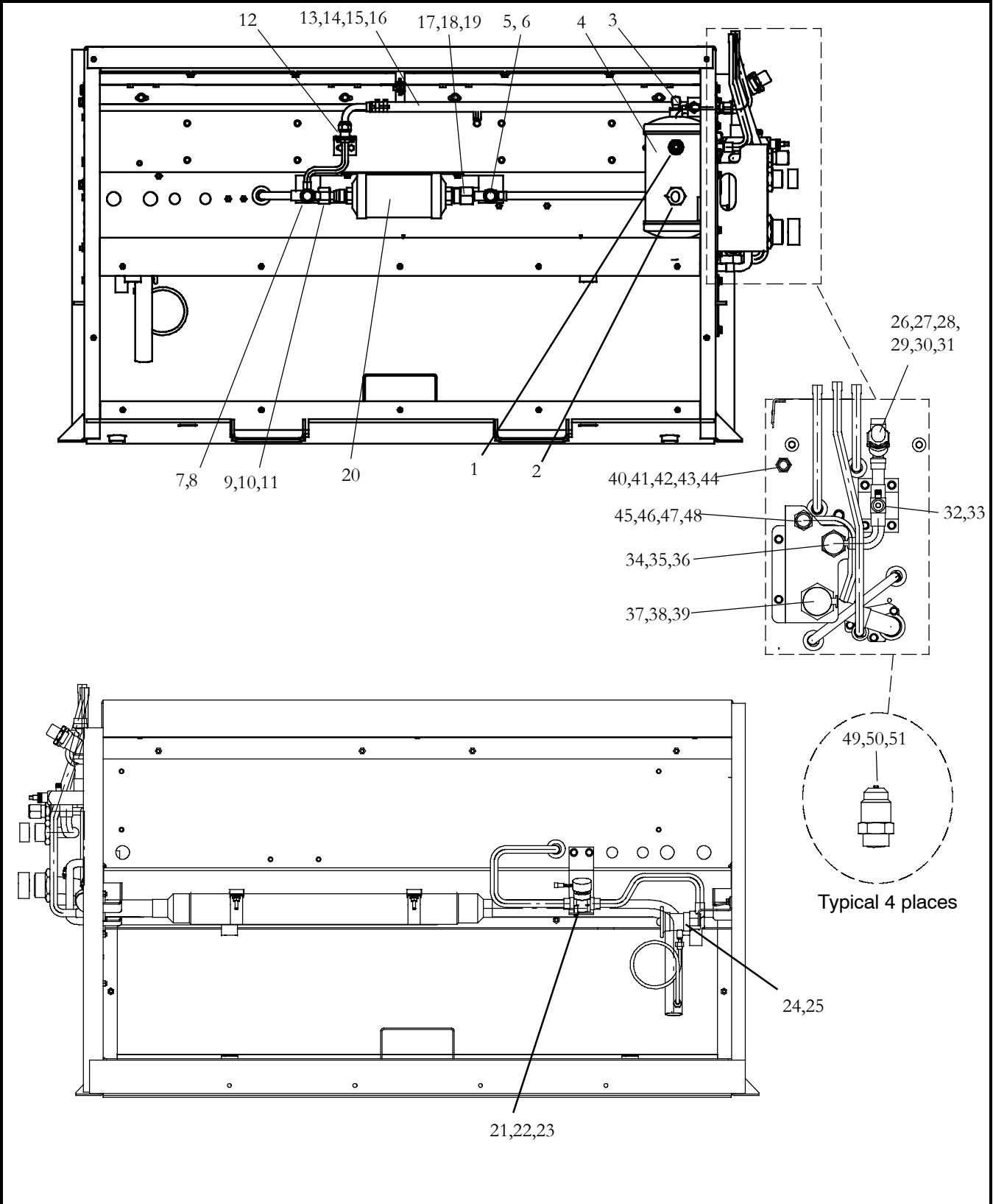




6.3 Refrigerant Piping Kit - Models 68RM55-101-11, -17, -18, -21, -26 (Continued)			
Item	Part Number	Description	Qty
89	14-00320-00	Drier, Filter 3/4 ORS x 5/8 ORS - Includes:	1
90	42-00243-03	O-Ring, .614 ID x .070 Thick	1
91	42-00243-11	O-Ring, .739 ID x .070 Thick	1
92	81-62051-00	Valve and Tube Assembly, Liquid - Includes:	1
93	56-62126-00	Tube, Liquid, Bent, 5/8 OD x .040 Wall Copper	1
94	40-00501-05	Valve, King, Brass, 5/8 ODF	1
95	40-00501-50	Cap, King Valve, Service Part	1
96	56-00143-75	Tube, Straight, 5/8 OD x .040W Copper x 1.625 Inches Long	1
97	40-00503-04	Collar, Tube - 5/8 ORS, Nickel Plated Steel	1
98	34-06121-04	Nut, Hex, ORS Braze(1-3/16-12 Threads)	1
99	81-62055-00	Heat Exchanger & Tubing Assembly, Liquid/Suction - Includes:	1
100	AC101-900	Heat Exchanger, Liquid/Suction	1
101	68RM55-1141	Tube, Suction, Straight, 1-3/8OD x .055W Copper x 7.57 Inches Long	1
102	68RM55-1118	Tube, Suction, Bent, 1-3/8OD x .055W Copper	1
103	68RM55-1114	Tube, Liquid, Bent, 5/8 OD x .040 Wall Copper	1
104	68RM55-1113	Tube, Liquid, Bent, 5/8 OD x .040 Wall Copper	1
105	42-00032-00	Tape, Insulation, Presssite, 2.00 Inches x 30.00 Feet Long	1
106	02-00010-01	Grease, Thermomastic, 6cc Syringe	1



6.4 Refrigerant Piping Kit - Models Y13-R5501-00 & Y13-R5501-01





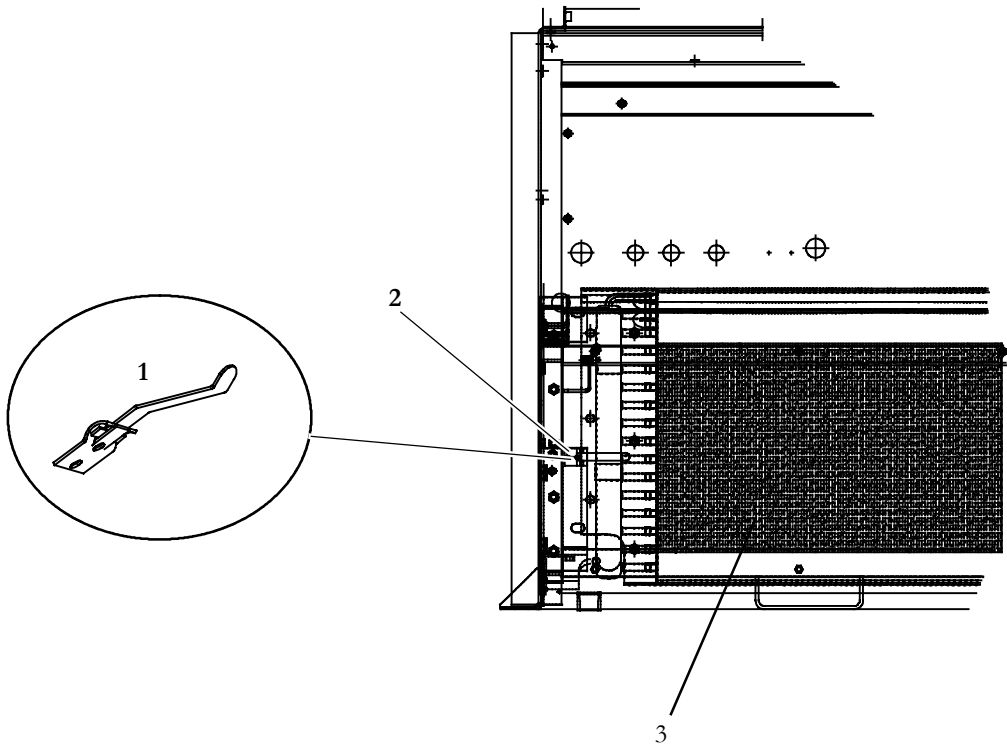
6.4 Refrigerant Piping Kit - Models Y13-R5501-00 & Y13-R5501-01 (Continued)			
Item	Part Number	Description	Qty
1	AC101-203	Sightglass, Moisture Indicator	1
2	14-00220-06	Sightglass, W/3 Red Balls Level Indicator	1
3	14-01032-01	Fusible Plug	1
4	65-01093-00	Receiver	1
5	40-00501-05	Valve, King	1
6	40-00501-50	Cap, King Valve, Service Part	1
7	40-62028-00	Valve, King, Includes	1
8	40-00501-50	Cap, King Valve, Service Part	1
9	34-06121-03	Nut, Hex, ORS Braze (1.00-14 Threads)	1
10	40-00503-03	Collar, Tube, 5/8 ORS Brass	1
11	42-00243-00	O-Ring, 1.046 ID x .07 THK	1
12	40-62032-02	Fitting, Swivel Nut, 1/2 x 3/4-16 M.I.O.	1
13	58-62022-00	Hose Assembly, (Auxiliary Cooler), Includes:	1
14	40-64075-53	Fitting, Kit, Straight #8 FOR x #10 Hose (With Clamp and O-ring)	1
15	40-64074-53	Fitting, Kit, 90 Degree #8 FOR x #10 Hose (With Clamp and O-ring)	1
16	58-64105-02	Hose, #10 Flex Click (3.5 ft)	1
17	34-06121-04	Nut,Hex, ORS Braze, (1 3/16-12 Threads)	1
18	40-00503-04	Collar, Tube-5/8 ORS, Nickel Plated Steel	1
19	42-00243-11	O-Ring, .739 ID x .07 THK	1
20	14-00320-00	Filter Drier, 41 Cu. In.	1
21	14-00236-00	Valve, Solenoid, 5/8 ODF x 7/8 ODM - Includes:	1
22	14-00236-50	Coil, Solenoid Valve, 24 VDC	1
23	14-00236-51	Repair Kit, Solenoid Valve	1
24	14-01104-44	Valve, Thermal Expansion, Less Flange, 5.5 Tons, R-134a	1
25	66U1-1214-5	Body, Flange, Thermal Expansion Valve, 5/8 ODF Inlet x 7/8 ODF Outlet	1
26	14-00281-04	Valve, Check, 7/8 ODF - Includes:	1
27	14-50050-01	Spring And Piston/Seat Assembly - Includes:	1
28	73-50006-00	Spring, Check Valve, SST	1
29	16-03301-00	Gasket, Check Valve	1
30	14-50093-00	Disk, Spacer, Check Valve Cap	1
31	14-50051-00	Cap, Check Valve	1
32	40-00501-07	Valve, King	1
33	40-00501-50	Cap, King Valve, Service Part	1
34	40-00491-00	Fitting ORS, 1 7/16 -12	1
35	34-06088-00	Nut, ORS, (1.43-12 Thread)	1
36	42-00243-00	O-Ring, .921 ID x .139 THK	1
37	40-00491-04	Fitting ORS, 2.00 -12	1
38	34-06088-02	Nut, ORS, (2.00-12 Thread)	1
39	42-00243-02	O-Ring, 1.484 ID x .139 THK	1
40	40-00521-00	Cap Assembly	1
41	42-00243-09	O-Ring, .364 ID x .07 THK	1
42	40-62032-02	Fitting, Tube-O, 3/4-16 UNF x 1/2 O.D.	1
43	40-00491-12	Fitting, 3/8 O.D. X 11/16 ORS	1
44	34-06088-05	Nut, ORS, (11/16-16 Thread)	1
45	40-00491-15	Fitting ORS, 1.00-14	1



6.4 Refrigerant Piping Kit - Models Y13-R5501-00 & Y13-R5501-01 (Continued)			
Item	Part Number	Description	Qty
46	34-06088-04	Nut, ORS, (1.00-14 Thread)	1
47	40-00152-02	Cap Assembly	1
48	42-00243-03	O-Ring, 1.046 ID x .07 THK	1
49	40-01124-00	Body, Valve, Schrader, Brass 1/4 SAE Flare - Includes:	4
50	DD19CA061	Cap, Seal, Flare, 1/4 Inch	4
51	14-00351-00	Core, Access Valve (Nickel Plated)	4



7 AIR FILTER KIT - 68RM55-101-12, -19, -20, -21, -23, -24, -25, -26 & Y13-R5501-00 & -01 Systems

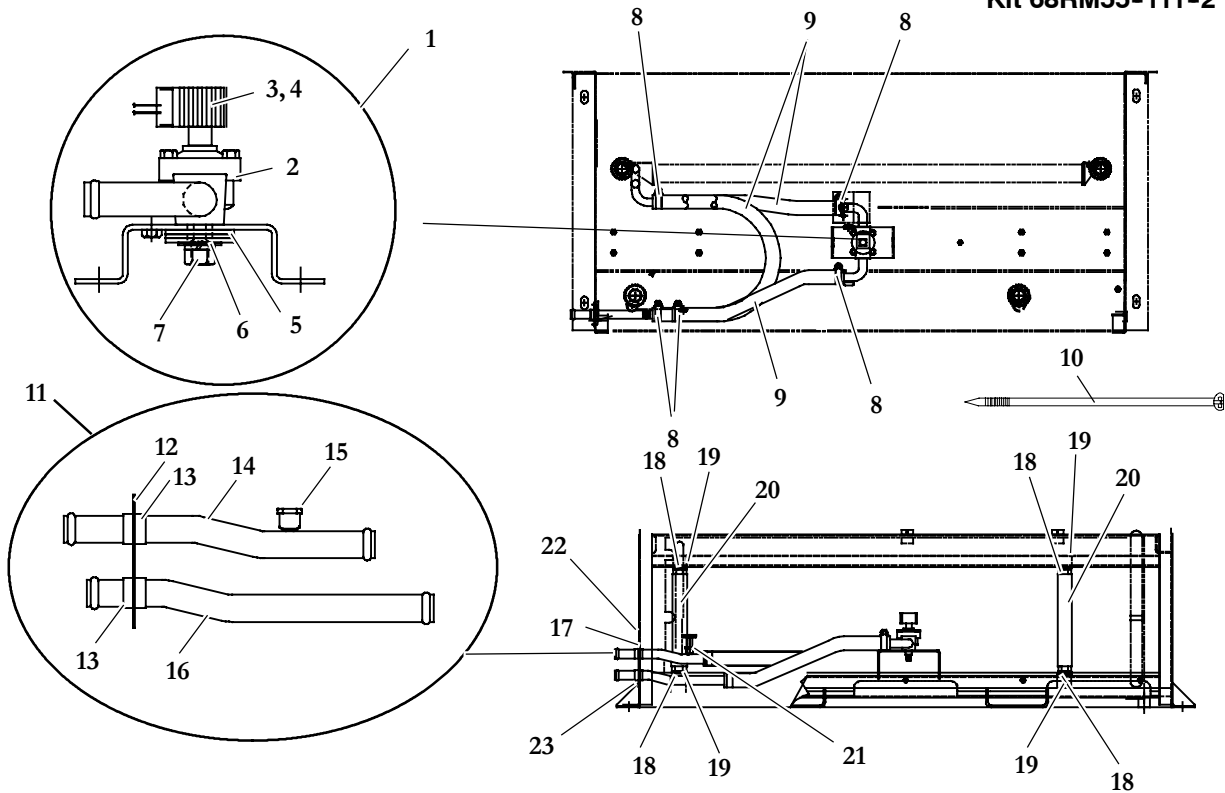


Item	Part Number	Description	Qty
1	44-01171-00	Latch, Snap, Quick Release	1
2	34-01317-00	Screw, Pan Head Philips, TEKS 3, #10-16x0.75 Inch Long, SST With Black Zinc	1
3	AC801-446	Air Filter, 46.00" x 20.50" x 1.00" (Used on Y13-R5501-00)	1



8 HEATER CONNECTION ASSEMBLY - All 68RM55 Systems

Kit 68RM55-111-2



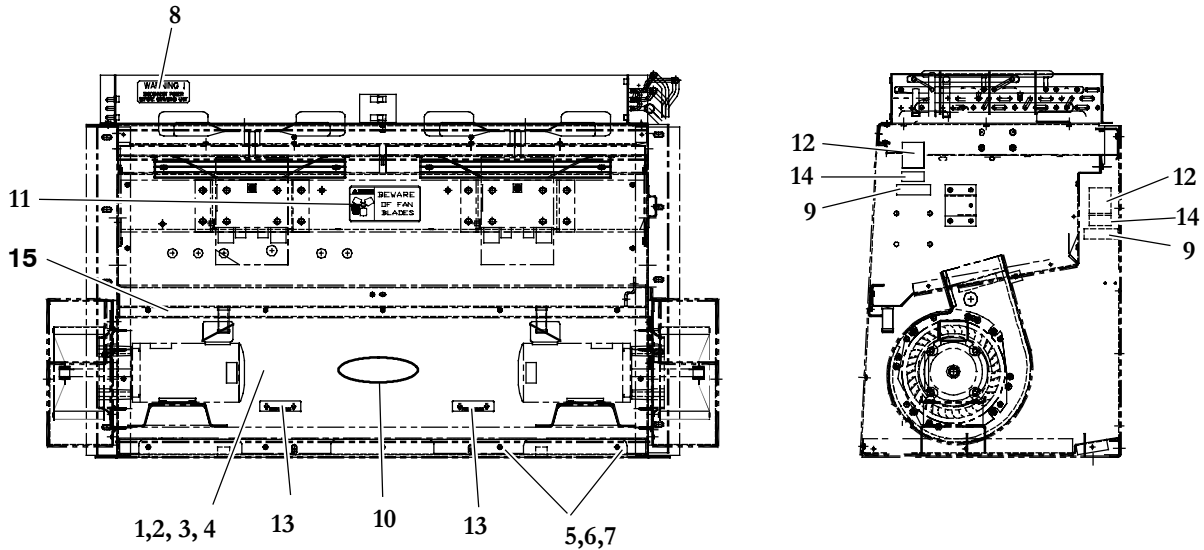
Item	Part Number	Description	Qty
1	68RM45-193	Coolant Valve Assembly - Includes:	1
2	14-00194-00	Valve, Coolant, Solenoid, 7/8 OD Water Bead - Includes:	1
3	14-01110-02	Coil, Solenoid Valve, 24 VDC	1
4	14-50036-00	Repair Kit, Solenoid Valve	1
5	34-00662-18	Washer, Plain, 3/4, SST	3
6	34-06212-15	Washer, Plain, 7/16, SST	1
7	34-00665-14	Nut, Hex, 7/16-20, SST	1
8	44-00318-00	Clamp, Hose, Constant Torque, Range: 0.81 To 1.50 Inches, SST	6
9	AC301-244	Hose, Heater Inlet & Outlet, 7/8 ID (Sold in 50 Feet Roll)	1
10	66U1-3882	Wire Tie, Self-Locking, 7.00 Inches, Black	2
11	81-62018-00	Tubing Assembly, Heater Coil Connections - Includes:	1
12	68RM55-1152	Plate, Heater Connections	1
13	66CH1-1212-8	Coupling, Braze, 7/8 ID x 0.75 Inch Long	2
14	56-62071-00	Tube, Bent, Heater, 7/8 OD x .045W Copper, Bead End	1
15	DE06DA051	Adapter, Tube Fitting, 1/4 FPT x 1/4 ODF	1
16	56-62070-00	Tube, Bent, Heater, 7/8 OD x .045W Copper, Bead End	1
17	AC701-400	Rivet, Pop, 3/16, Steel	4
18	58-00712-17	Clamp, Hose, Snap (I.D. Range: 1.218 - 1.405)	4
19	40-00541-02	Fitting, Hose Barb, 1 Inch Hose I.D. x 3/4 MPT	4
20	AC301-236-4	Hose, Drain, 1 Inch I.D. x 48.00 Inches Long	1
21	66U1-3041	Valve, Petcock, 1/4-18 MPT	1
22	62-62041-00	Label, IN	1
23	62-62041-01	Label, OUT	1



9 LABELS - GASKETS

9.1 Labels - Gaskets - R22 Units

Kit 68RM55-112-4

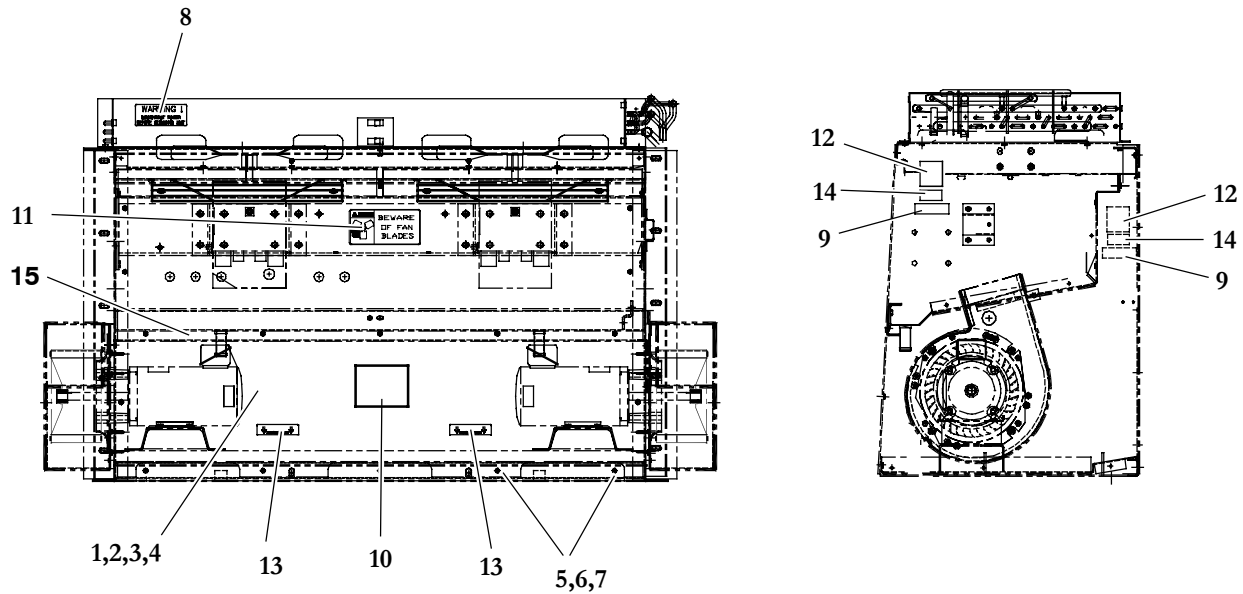


Item	Part Number	Description	Qty
1	68-62233-00	Panel, Access, Painted	1
2	68RM35-1163-9	Insulation, Foam, 1.00 Thick x 9.94 x 48.80 Inches	1
3	42-62009-00	Insulation, Neoprene, 0.25 Thick x 1.13 x 10.81 Inches	2
4	68RM35-1303	Insulation, Neoprene, 0.25 Thick x 1.25 x 51.50 Inches	2
5	34-00655-06	Screw, Hex Head, 1/4-20 x 3/4 Inch Long, SST	12
6	34-00663-11	Washer, Split Lock, 1/4 Inch, SST	12
7	34-00662-11	Washer, Flat, 1/4 Inch, SST	12
8	62-62001-00	Label, Warning, Disconnect Power	1
9	62-62039-01	Label, Charge Only With R-22	2
10	62-62037-00	Label, MCC, 9 Inch Oval	1
11	62-62045-00	Label, Warning, Fan Blades & Disconnect Power	1
12	62-04062-01	Label, Warranty I.D.	2
13	62-62003-00	Label, Fork Lift Here	2
14	62-62020-00	Label, Phone Numbers, Service & Parts	2
15	02-00314-00	Tape, Double Sided Adhesive, 2.00 Inch x 180 Feet Long	1



9.2 Labels - Gaskets - R134a Units

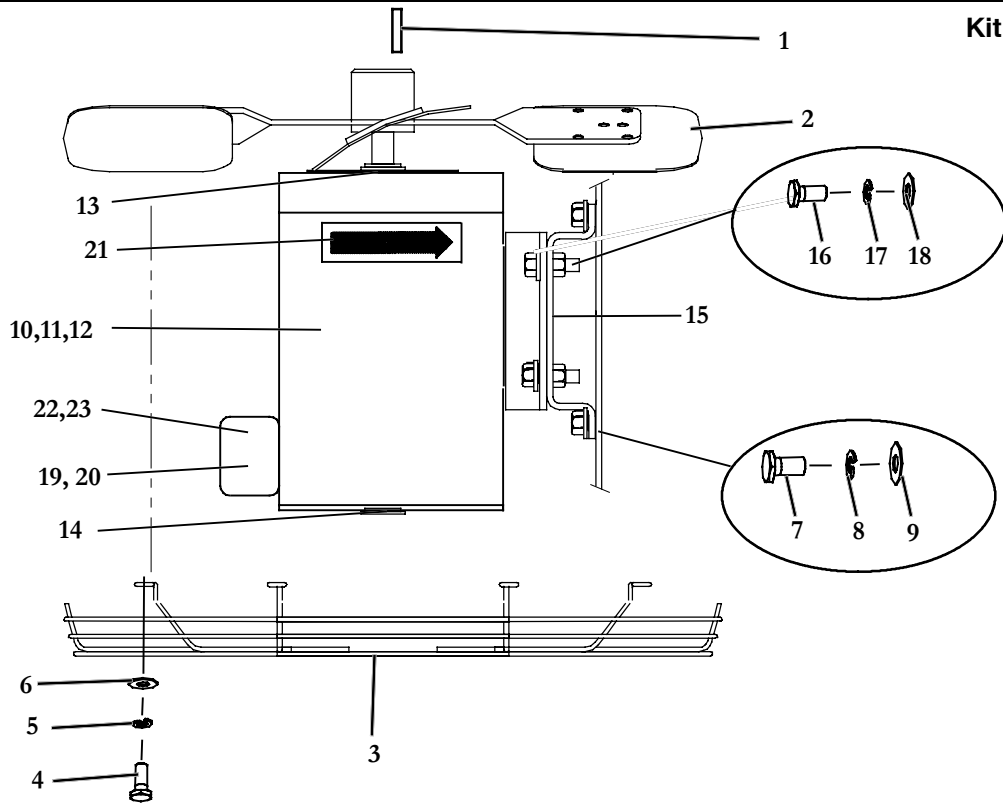
Kit 68RM55-112-3



Item	Part Number	Description	Qty
1	68-62233-00	Panel, Access, Painted	1
2	68RM35-1163-9	Insulation, Foam, 1.00 Thick x 9.94 x 48.80 Inches	1
3	42-62009-00	Insulation, Neoprene, 0.25 Thick x 1.13 x 10.81 Inches	2
4	68RM35-1303	Insulation, Neoprene, 0.25 Thick x 1.25 x 51.50 Inches	2
5	34-00655-06	Screw, Hex Head, 1/4-20 x 3/4 Inch Long, SST	12
6	34-00663-11	Washer, Split Lock, 1/4 Inch, SST	12
7	34-00662-11	Washer, Flat, 1/4 Inch, SST	12
8	62-62001-00	Label, Warning, Disconnect Power	1
9	62-62039-00	Label, Charge Only With R-134a	2
10	62-62037-00	Label, MCC	1
11	62-62045-00	Label, Warning, Fan Blades & Disconnect Power	1
12	62-04062-01	Label, Warranty I.D.	2
13	62-62003-00	Label, Fork Lift Here	2
14	62-62020-00	Label, Phone Numbers, Service & Parts	2
15	02-00314-00	Tape, Double Sided Adhesive, 2.00 Inch x 180 Feet Long	1



10 CONDENSER FAN MOTOR ASSEMBLY



Kit 68RM55-109-2
 68RM55-109-5
 68RM55-109-6
 68RM55-109-7
 68RM55-109-8
 Y13-R5501-00

Item	Part Number	Description	Qty
10.1 Condenser Fan Motor Assembly - Common Parts - All Models			
1	34-00672-00	Key, Square, 3/16 x 1-1/4 Inch	2
2	38-00516-00	Fan Blade, Condenser, CCW, 18 Inches Diameter	2
3	68RM35-1133	Grille, Fan Guard, Condenser	2
4	34-00655-06	Screw, Hex Head, 1/4-20 x 3/4 Inch Long, SST	8
5	34-00663-11	Washer, Split Lock, 1/4 Inch, SST	8
6	34-00662-11	Washer, Plain 1/4 Inch, SST	8
7	34-00807-08	Screw, Hex Head, 3/8-16 x 1.00 Inch Long, SST	4
8	34-00663-13	Washer, Split Lock, 3/8 Inch, SST	4
9	34-06212-14	Washer, Plain, 3/8 Inch, SST	4
10.2 Condenser Fan Motor Assembly - Models 68RM55-100-22, 101-8, -10, -11, -15, -16, -17, -23, 25, -26			
10	AC501-146	Motor, Fan, Condenser, .8HP, 24VDC, Wound Field - Includes:	2
11	54-00508-30	Brush, Motor	4
12	54-50067-31	Holder, Brush	1
13	54-00517-20	Bearing, Shaft End	1
14	54-00122-23	Bearing, Opposite Shaft End	1
15	68RM35-187P	Bracket Assembly, Motor Mounting, Condenser, Painted	2
16	34-00792-08	Screw, Hex Head, 5/16-18 x 1 Inch Long, SST	8
17	34-00663-12	Washer, Split Lock, 5/16 Inch, SST	8
18	34-00662-12	Washer, Plain, 5/16 Inch, SST	8
19	AC201-244	Terminal, Butt Connector, 14-16 Gauge	4
20	66U1-3803-15	Tubing, Heat Shrink, 3/16 Inch	2
21	62-62038-00	Label, Rotation Arrow	2



10.3 Condenser Fan Motor Assembly - Models 68RM55-100-17, -23, -25, 101-3, -5, -6, -7, -9, -12, -18, -19, -20, -21, -24 & Y13-R5501-00 & Y13-RM5501-01

Item	Part Number	Description	Qty
10	54-00533-00	Motor, Fan, Condenser, .8HP, 24VDC, Brushless	2
15	68RM35-433P	Bracket Assembly, Motor Mounting, Condenser, Painted	2
16	34-00807-08	Screw, Hex Head, 3/8-16 x 1.00 Inch Long, SST	8
17	34-00663-13	Washer, Split Lock, 3/8 Inch, SST	8
18	34-06212-14	Washer, Plain, 3/8 Inch, SST	8
22	22-02126-03	Cap, Insulated, Electrical, #14 to #16 AWG	8
23	22-02126-02	Cap, Insulated, Electrical, #12 to #14 AWG	8

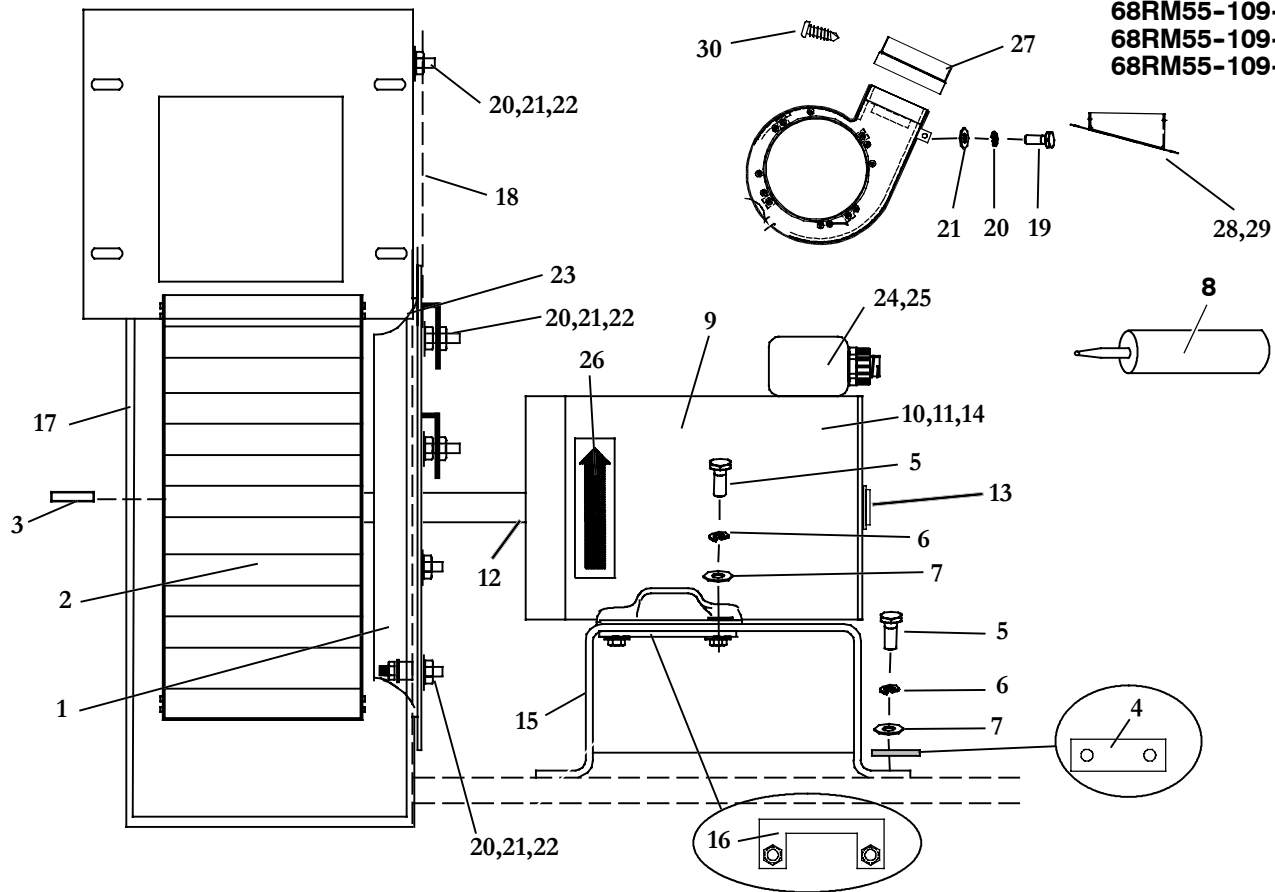
10.4 Condenser Fan Motor Assembly - Model 68RM55-100-24, 101-4

10	AC501-120	Motor, Fan, Condenser, GE .80 HP PM	2
11	54-50067-00	Brush, Motor	4
12	54-50067-31	Holder, Brush	1
13	54-00122-23	Bearing, Shaft End	1
14	54-00122-23	Bearing, Opposite Shaft End	1
15	68RM35-187P	Bracket Assembly, Motor Mounting, Condenser, Painted	2
16	34-00792-08	Screw, Hex Head, 5/16-18 x 1 Inch Long, SST	8
17	34-00663-12	Washer, Split Lock, 5/16 Inch, SST	8
18	34-00662-12	Washer, Plain, 5/16 Inch, SST	8
19	AC201-244	Terminal, Butt Connector, 14-16 Gauge	8
20	66U1-3803-15	Tubing, Heat Shrink, 3/16 Inch	2
21	62-62038-00	Label, Rotation Arrow	2



11 EVAPORATOR BLOWER ASSEMBLY

Kit 68RM55-109-2
 68RM55-109-5
 68RM55-109-6
 68RM55-109-7
 68RM55-109-8



Item	Part Number	Description	Qty
11.1 Evaporator Blower Assembly - Common Parts - All Models			
1	68RM55-1076	Ring, Venturi, Plastic, Black	2
2	38-00512-00	Blower Wheel, Clockwise, 9.00 Diameter, Roadside	1
	38-00512-01	Blower Wheel, Counter Clockwise, 9.00 Diameter, Curbside	1
3	34-00672-00	Key, Square, 3/16 x 1-1/4 Inch	2
4	68RM35-1106P	Plate, Motor Mount Washer, Painted (2 Required Per Motor)	4
5	34-00792-08	Screw, Hex Head, 5/16-18 x 1 Inch Long, SST	8
6	34-00663-12	Washer, Split Lock, 5/16 Inch, SST	8
7	34-00662-12	Washer, Flat, 5/16 Inch, SST	8
8	02-62001-00	Sealant, Adhesive Caulk, Black (10.3 Ounce Tube)	1
11.2 Evaporator Blower Assembly - Models 68RM55-100-17, -23, 101-3, -5, -6			
9	AC501-152	Motor, Evaporator Blower, .75HP, Brushless, 24VDC	2
15	68RM35-107P	Bracket Assembly, Motor Mounting, Evaporator, Painted	2
16	68RM40-202-2	Bracket Assembly (Two Pieces Required To Secure Each Motor To Item 15) Painted	4
17	68RM55-135	Blower Housing (Coated) - Curbside	1
	68RM55-135-1	Blower Housing (Coated) - Roadside	1



11.2 Evaporator Blower Assembly - Models 68RM55-100-17, -23, 101-3, -5, -6 (Continued)			
Item	Part Number	Description	Qty
18	68RM55-1037	Insulation, Blower Housing, 0.38 Foam - Roadside	1
	68RM55-1037-1	Insulation, Blower Housing, 0.38 Foam - Curbside	1
19	34-00655-06	Screw, Hex Head, 1/4-20 x 3/4 Inch Long, SST	2
20	34-00662-11	Washer, Flat, 1/4 Inch, SST	10
21	34-00663-11	Washer, Split Lock, 1/4 Inch, SST	18
22	34-00666-11	Nut, Hex, 1/4-20, SST	16
23	68RM55-1142P	Clip, Venturi Ring, Painted	8
24	AC201-217	Terminal, Closed End	8
25	22-02126-03	Cap, Insulated, Electrical, #14 to #16 AWG	8
11.3 Evaporator Blower Assembly - Models 68RM55-100-24, 101-4			
9	AC501-150	Motor, Evaporator Blower, 1.0HP, Permanent Magnet, 24VDC - Includes:	2
10	54-50067-00	Brush, Motor	4
11	54-50067-31	Holder, Brush, Motor	1
12	54-00508-20	Bearing, Shaft End	1
13	54-00122-23	Bearing, Opposite Shaft End	1
15	68RM35-107P	Bracket Assembly, Motor Mounting, Evaporator, Painted	2
16	68RM40-202-2	Bracket Assembly (Two Pieces Required To Secure Each Motor To Item 15) Painted	4
17	68RM55-135	Blower Housing (Coated) - Curbside	1
	68RM55-135-1	Blower Housing (Coated) - Roadside	1
18	68RM55-1037	Insulation, Blower Housing, 0.38 Foam - Curbside	1
	68RM55-1037-1	Insulation, Blower Housing, 0.38 Foam - Roadside	1
19	34-00655-08	Screw, Hex Head, 1/4-20 x 1.00 Inch Long, SST	2
20	34-00662-11	Washer, Flat, 1/4 Inch, SST	10
21	34-00663-11	Washer, Split Lock, 1/4 Inch, SST	10
22	34-00666-11	Nut, Hex, 1/4-20, SST	16
23	68RM55-1142P	Clip, Venturi Ring, Painted	8
24	AC201-244	Terminal, Butt Connector, 14-16 Gauge	8
25	66U1-3803-15	Tube, Heat Shrink, 3/16, With Adhesive	2
26	62-62038-00	Label, Rotation Arrow	4

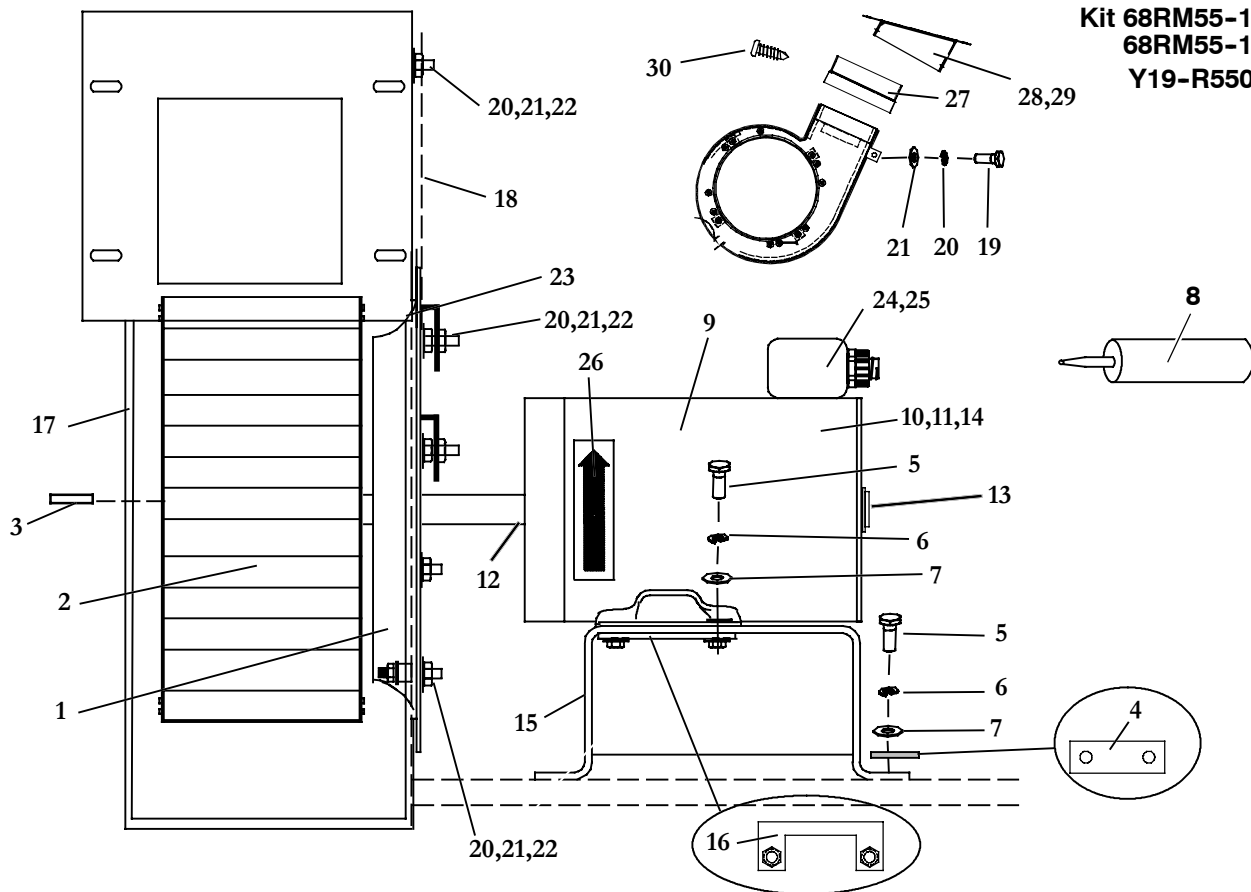


11.4 Evaporator Blower Assembly - Models 68RM55-100-22			
9	54-00575-00	Motor, Evaporator Blower, 1.0HP, Wound Field, 24VDC - Includes:	2
10	54-00508-30	Brush, Motor	4
11	54-00575-28	Holder, Brush, Motor	1
12	54-00517-20	Bearing, Shaft End	1
13	54-00122-23	Bearing, Opposite Shaft End	1
14	54-00575-50	Spring Kit, Brush (Pack of 4)	1
15	68RM35-117P	Bracket Assembly, Motor Mounting, Evaporator, Painted	2
16	68RM40-202-3	Bracket Assembly (Two Pieces Required To Secure Each Motor To Item 15) Painted	4
17	68RM55-135	Blower Housing (Coated) - Curbside	1
	68RM55-135-1	Blower Housing (Coated) - Roadside	1
18	68RM55-1037	Insulation, Blower Housing, 0.38 Foam - Curbside	1
	68RM55-1037-1	Insulation, Blower Housing, 0.38 Foam - Roadside	1
19	34-00655-08	Screw, Hex Head, 1/4-20 x 1.00 Inch Long, SST	2
20	34-00662-11	Washer, Flat, 1/4 Inch, SST	10
21	34-00663-11	Washer, Split Lock, 1/4 Inch, SST	16
22	34-00666-11	Nut, Hex, 1/4-20, SST	14
23	68RM55-1142P	Clip, Venturi Ring, Painted	8
24	AC201-244	Terminal, Butt Connector, 14-16 Gauge	8
25	66U1-3803-15	Tube, Heat Shrink, 3/16, With Adhesive	2
26	62-62038-00	Label, Rotation Arrow	4



11 EVAPORATOR BLOWER ASSEMBLY (Continued)

Kit 68RM55-109-7
68RM55-109-8
Y19-R5502-00



NOTE: Common Parts, Items 1 Thru 7, are listed under Section 11.1

11.5 Evaporator Blower Assembly - Models 68RM55-100-25, 101-7, -9, -12, -18, -19, -20, -21, -24 & Y13-R5501-00 & -01

Item	Part Number	Description	Qty
9	AC501-152	Motor, Evaporator Blower, .75HP, Brushless, 24VDC	2
15	68RM35-107P	Bracket Assembly, Motor Mounting, Evaporator, Painted	2
16	68RM40-202-3	Bracket Assembly (Two Pieces Required To Secure Each Motor To Item 15) Painted	4
17	38-00571-20	Blower Housing (Coated) - Curbside	1
	38-00571-21	Blower Housing (Coated) - Roadside	1
18	42-62070-00	Insulation, Blower Housing, 0.38 Foam - Roadside	1
	42-62070-01	Insulation, Blower Housing, 0.38 Foam - Curbside	1
20	34-00662-11	Washer, Flat, 1/4 Inch, SST	10
21	34-00663-11	Washer, Split Lock, 1/4 Inch, SST	18
22	34-00666-11	Nut, Hex, 1/4-20, SST	16
23	68RM55-1142P	Clip, Venturi Ring, Painted	6
24	22-02126-03	Cap, Insulated, Electrical, #14 to #16 AWG	8
25	22-02126-02	Cap, Insulated, Electrical, #12 to #14 AWG	8
27	86-62261-10	Duct Adapter Assembly, Without Flange, Painted (Kits 68RM55-109-7 & 8)	2
28	Y24-00062-00	Duct Adapter Assembly, Roadside, (Y13-R5501-00 & -01 Only)	1
29	Y24-00063-00	Duct Adapter Assembly, Curbside, (Y13-R5501-00 & -01 Only)	1
30	34-01317-00	Screw, Pan Head Philips, TEKS 3, #10-16 x 0.75 Inch Long, SST W/ Black Zinc	4

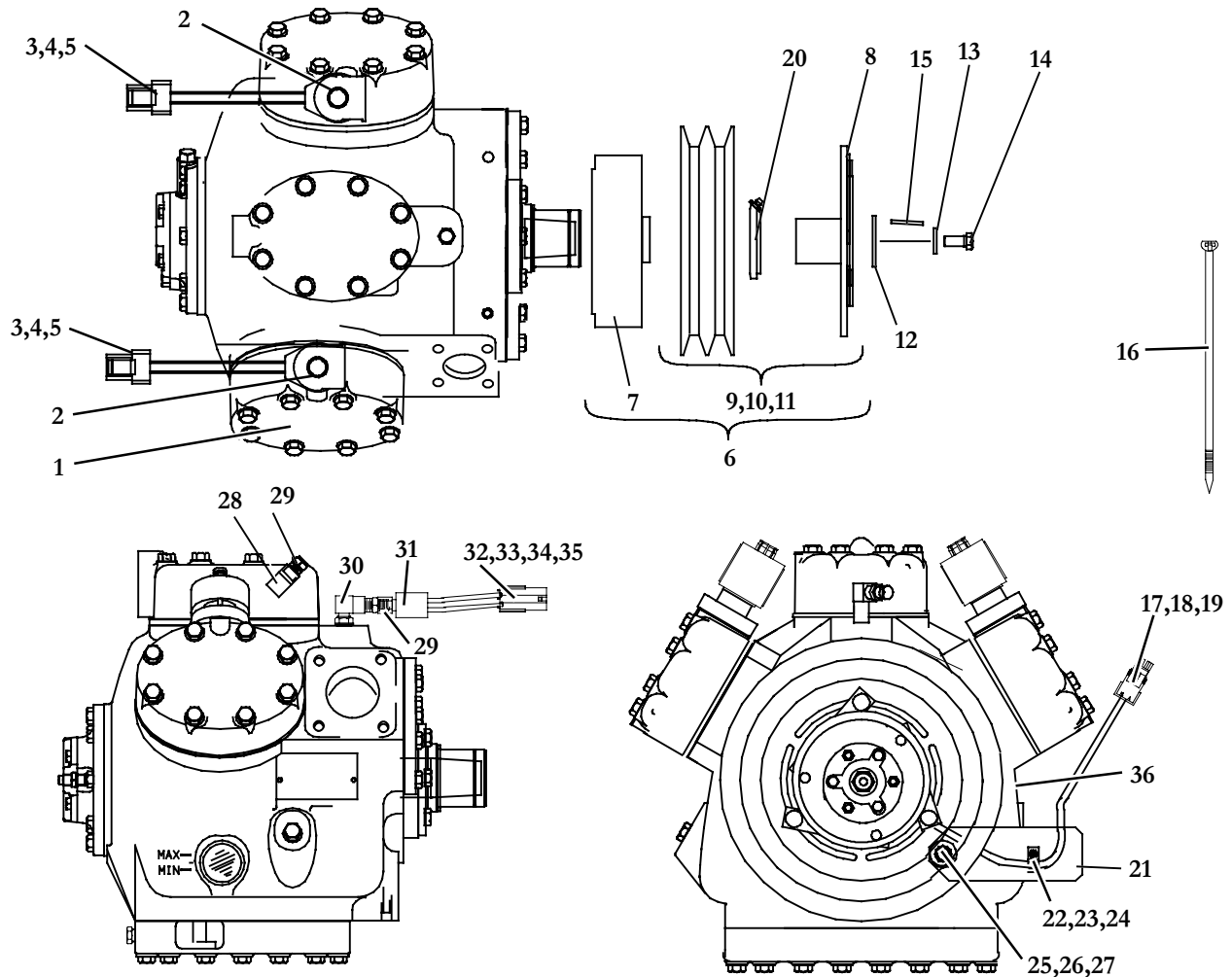


11.6 Evaporator Blower Assembly - Models 68RM55-101-8, -10, -11, -15, -16, -17, -23, 25, -26			
Item	Part Number	Description	Qty
9	54-00575-00	Motor, Evaporator Blower, 1.0HP, Wound Field, 24VDC - Includes:	2
10	54-00508-30	Brush, Motor	4
11	54-00575-28	Holder, Brush, Motor	1
12	54-00517-20	Bearing, Shaft End	1
13	54-00122-23	Bearing, Opposite Shaft End	1
14	54-00575-50	Spring Kit, Brush (Pack of 4)	1
15	68RM35-117P	Bracket Assembly, Motor Mounting, Evaporator, Painted	2
16	68RM40-202-3	Bracket Assembly (Two Pieces Required To Secure Each Motor To Item 15) Painted	4
17	38-00571-20	Blower Housing (Coated) - Curbside	1
	38-00571-21	Blower Housing (Coated) - Roadside	1
18	42-62070-00	Insulation, Blower Housing, 0.38 Foam - Curbside	1
	42-62070-01	Insulation, Blower Housing, 0.38 Foam - Roadside	1
19	34-00655-08	Screw, Hex Head, 1/4-20 x 1.00 Inch Long, SST	2
20	34-00662-11	Washer, Flat, 1/4 Inch, SST	8
21	34-00663-11	Washer, Split Lock, 1/4 Inch, SST	14
22	34-00666-11	Nut, Hex, 1/4-20, SST	12
23	68RM55-1142P	Clip, Venturi Ring, Painted	8
24	AC201-244	Terminal, Butt Connector, 14-16 Gauge	8
25	66U1-3803-15	Tube, Heat Shrink, 3/16, With Adhesive	2
26	62-62038-00	Label, Rotation Arrow	4
27	86-62261-10	Duct Adapter Assembly, Without Flange, Painted	2
30	34-01317-00	Screw, Pan Head Philips, TEKS 3, #10-16 x 0.75 Inch Long, SST W/ Black Zinc	4



12 COMPRESSOR INSTALLATION COMPONENTS

12.1 Compressor Installation Components - R-22 Systems - Common Parts



Item	Part Number	Description	Qty
1	18-00059-169	Compressor Assembly, 05G Service (Remanufactured, 37 CFM, R-22)	1
	18-00091-150	Compressor Assembly, 05G Service (New, Twin Port, 37 CFM, R-22)	1
2	22-02804-02	Coil, Solenoid, Compressor Unloader, 24 VDC	2
3	22-02392-01	Connector, 2 Pin, Medium Gray	2
4	22-02393-01	Terminal, Male (18-20 AWG)	4
5	22-02394-00	Seal, Cable, Gray	4
6	50-01122-14	Clutch Assembly, 24 VDC (Less Lock Nut Item 17) - Includes:	1
7	50-01122-50	Coil, Clutch, 24 VDC	1
8	NSS	Armature Assembly	1
9	50-01122-93	Rotor And Armature Assembly (2-5V Groove At 10.50 Inches OD) - Includes:	1
10	04-00130-00	Bearing	1
11	34-01186-00	Ring, Retainer	1
12	68G2-9082	Washer, Special, 0.438 ID	1

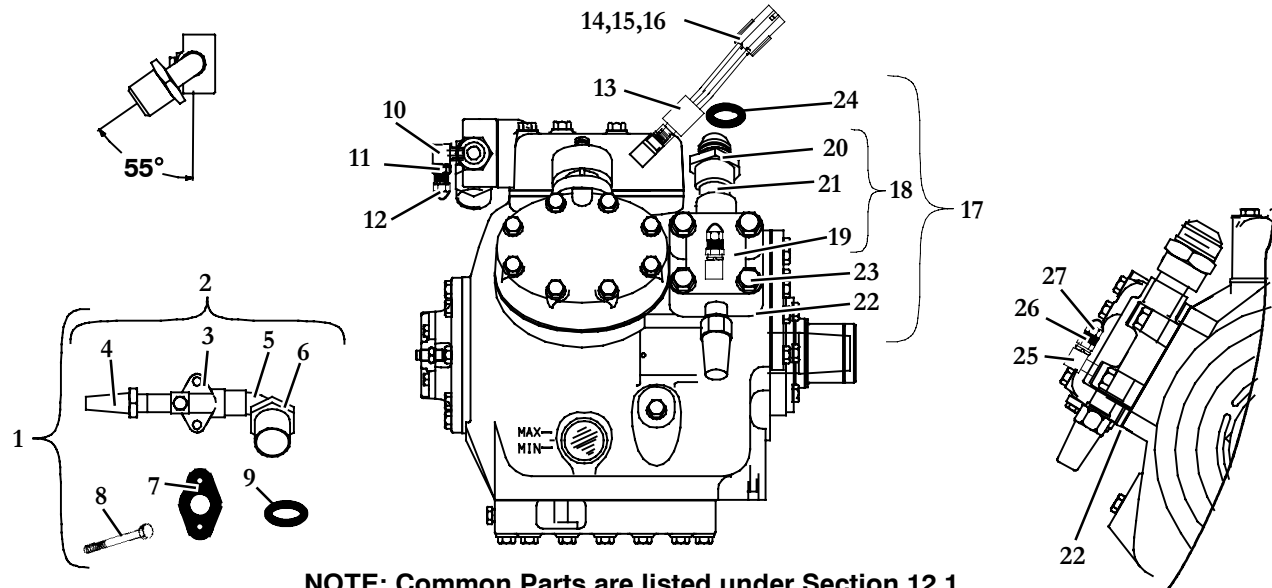


12.1 Compressor Installation Components - R-22 Systems - Common Parts (Continued)			
Item	Part Number	Description	Qty
13	AU11AS241	Washer, Split Lock, 3/8 Inch, Zinc Plated	1
14	34-00613-10	Screw, Hex Head Cap, 3/8-24 x 1.25 Inches Long, Grade 8, Zinc Plated	1
15	68G2-9072	Key, Crankshaft, Special	1
16	66U1-3882	Wire Tie, Self-Locking, 7.00 Inches, Black	1
17	22-02393-00	Terminal, Male (14-16 AWG)	2
18	22-02394-01	Seal, Cable, Blue	2
19	22-01585-02	Connector, Male, 2 Pin, Medium Gray	1
20	34-06083-00	Nut, Lock, Clutch, Special	1
21	68PD1-1202	Bracket, Clutch Wire Support	1
22	34-00373-51	Clamp, Tube, 0.25 Inch Diameter, Cushioned	1
23	34-00827-10	Screw, Machine, Slotted, #8-32 x 0.625 Inch Long, SST	1
24	AT31AB101	Nut, Hex, Keps, #8-32, Zinc Plated	1
25	17-40037-05	Screw, Hex Head Cap, 3/8-16 x 1.00 Inch Long, Zinc Plated	1
26	AU02AB242	Washer, Plain, 3/8 SAE, Zinc Plated	1
27	34-00372-13	Washer, Lock, 3/8, External Tooth	1
28	14-01093-00	Snubber Assembly, 90 Degree, 1/4 MPT x 1/4 FPT	1
29	06DA403844	Valve Assembly, Schrader, 1/4 Male Flare	2
30	40-01166-01	Elbow, Adapter, 1/4 FPT x 7/16 UNC	1
31	12-00299-01	Switch, Pressure, Low - Includes:	1
32	22-02392-00SV	Connector Kit, 2 Pin - Includes:	1
33	NSS	Connector, Male, 2 Pin, Black	1
34	22-02393-00	Terminal, Male (14-16 AWG)	2
35	22-02394-01	Seal, Cable, Blue (14-18 AWG)	2
36	62-03797-00	Label, Charge Only With R-22	1



12.2 Compressor Installation Components - 68RM55-100-17

68PD537-104-102



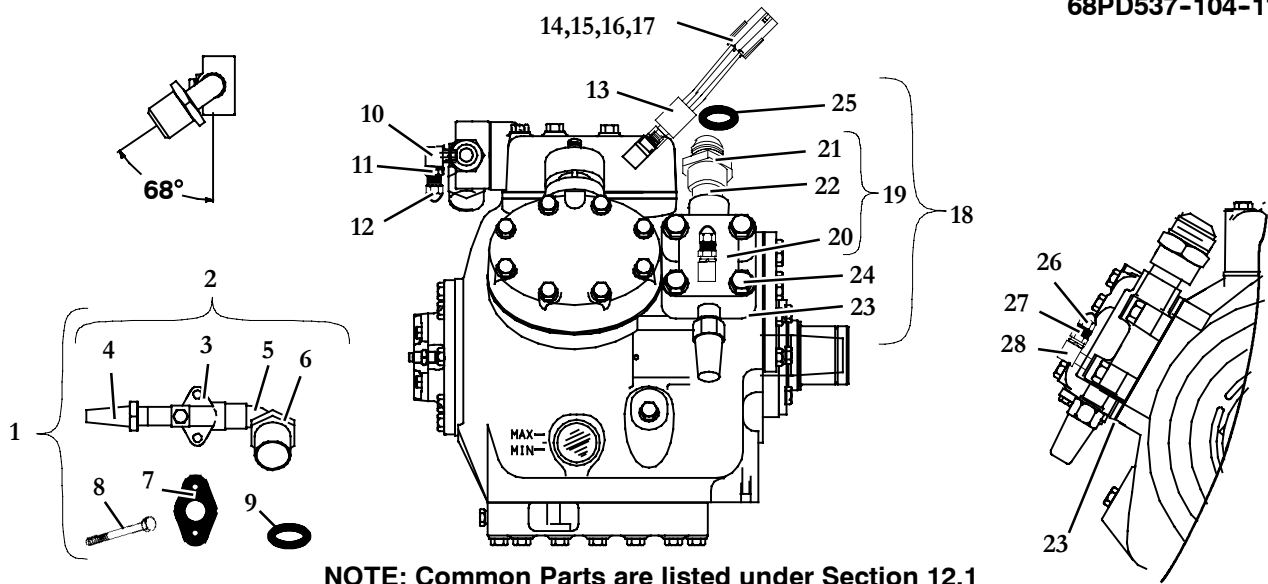
NOTE: Common Parts are listed under Section 12.1

Item	Part Number	Description	Qty
1	68PD2-110-79	Valve Assembly, Discharge, Service - Includes:	1
2	68PD1-333-5	Valve Assembly, Discharge, With Tube & Fitting - Includes:	1
3	14-01042-10	Valve, Discharge, Service, 7/8 ODF - Includes:	1
4	17-10812-00	Cap, Service Valve (With NSS O-Ring Seal)	1
5	68PD1-1092-1	Tube, Bent, 7/8 OD x .049W Steel	1
6	40-00491-00	Fitting, ORS, 7/8 ODF x 1-7/16	1
7	17-10811-05	Gasket, Discharge Service Valve (Valve to Compressor)	1
8	17-40012-00	Bolt, Hex Head, 5/16-18 x 2.00 Inches Long	2
9	42-00243-00	O-Ring, ORS-10, .921 ID x 0.139 Thick	2
10	40-00060-08	Elbow, Street, 1/4 FPT x 1/8 MPT	1
11	06DA403844	Valve Assembly, Schrader, 1/4 Male Flare	1
12	40-00086-04	Cap, Nut, 1/4 FFL, Brass	1
13	12-00299-00	Switch, Pressure, High - Includes:	1
14	22-01585-00	Connector, Male, 2 Pin, Black	1
15	22-02393-00	Terminal, Male (14-16 AWG)	2
16	22-02394-01	Seal, Cable, Blue	2
17	68PD2-110-5	Valve Assembly, Suction, Service - Includes:	1
18	68PD1-293	Valve Assembly, Suction, With Tube & Fitting - Includes:	1
19	17-31062-00	Valve, Suction, Service, 1-1/8 ODF	1
20	40-00491-01	Fitting, ORS, 1.125 ODF x 1-11/16-12	1
21	68PD1-1082	Tube, Suction, Straight, 1-1/8 OD x .065W x 2.00 Inches Long, Steel	1
22	17-40005-05	Gasket, Suction Service Valve (Valve to Compressor)	1
23	17-13020-00	Bolt, Hex Head, 1/2 - 13 x 2.50 Inches Long	4
24	42-00243-01	O-Ring, 1.171 ID x 0.139 Thick	2
25	40-00060-02	Elbow, Street, 1/4 FPT x 1/4 MPT	1
26	06DA403844	Valve Assembly, Schrader, 1/4 Male Flare	1
27	40-00086-04	Cap, Nut, 1/4 FFL, Brass	1



12.3 Compressor Installation Components - 68RM55-100-22

68PD537-104-119



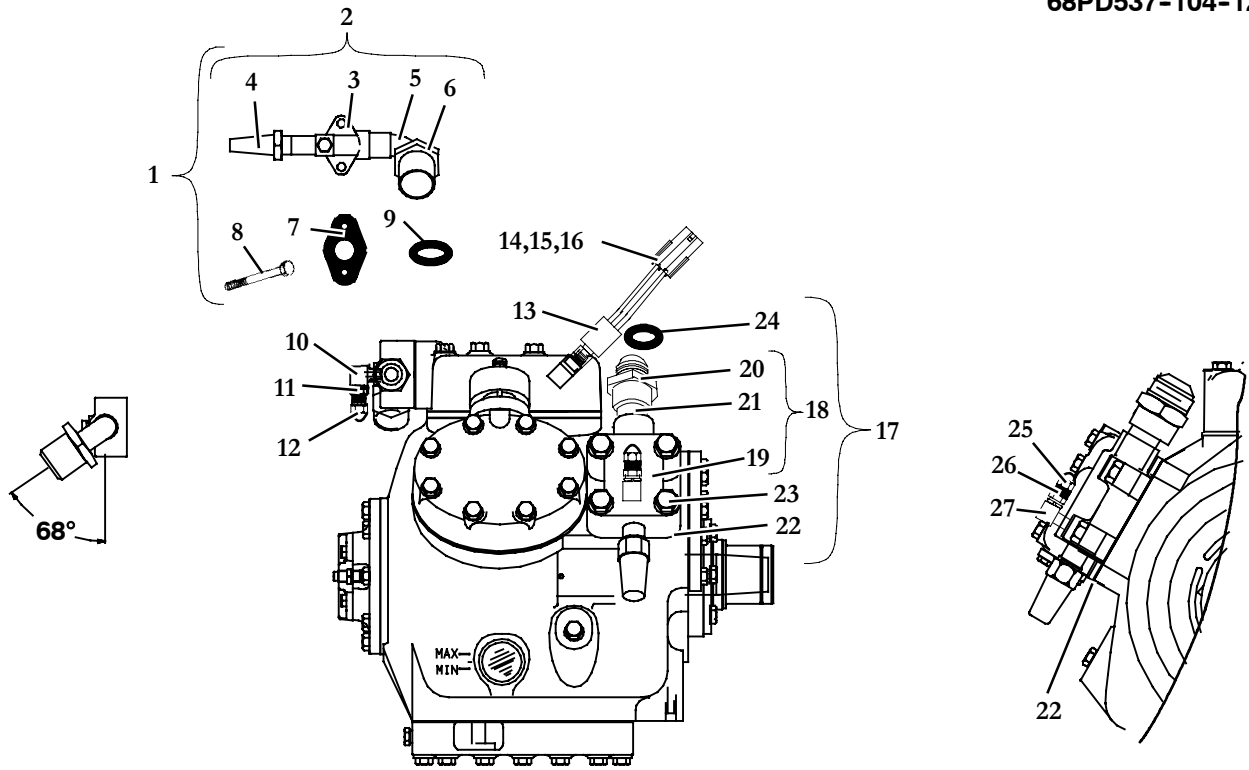
NOTE: Common Parts are listed under Section 12.1

Item	Part Number	Description	Qty
1	68PD2-110-88	Valve Assembly, Discharge, Service - Includes:	1
2	68PD1-333-6	Valve Assembly, Discharge, With Tube & Fitting - Includes:	1
3	14-01042-10	Valve, Discharge, Service, 7/8 ODF - Includes:	1
4	17-10812-00	Cap, Service Valve (With NSS O-Ring Seal)	1
5	68PD1-1092-1	Tube, Bent, 7/8 OD x .049W Steel	1
6	40-00491-00	Fitting, ORS, 7/8 ODF x 1-7/16	1
7	17-10811-05	Gasket, Discharge Service Valve (Valve to Compressor)	1
8	17-40012-00	Bolt, Hex Head, 5/16-18 x 2.00 Inches Long	2
9	42-00243-00	O-Ring, ORS-10, .921 ID x 0.139 Thick	2
10	40-00060-08	Elbow, Street, 1/4 FPT x 1/8 MPT	1
11	06DA403844	Valve Assembly, Schrader, 1/4 Male Flare	1
12	40-00086-04	Cap, Nut, 1/4 FFL, Brass	1
13	12-00299-21	Switch, Pressure, High - Includes:	1
14	22-02392-00SV	Connector Kit, 2 Pin, - Includes:	1
15	NSS	Connector, Male, 2 Pin, Black	1
16	22-02393-00	Terminal, Male (14-16 AWG)	2
17	22-02394-01	Seal, Cable, Blue	2
18	68PD2-110-5	Valve Assembly, Suction, Service - Includes:	1
19	68PD1-293	Valve Assembly, Suction, With Tube & Fitting - Includes:	1
20	17-31062-00	Valve, Suction, Service, 1-1/8 ODF	1
21	40-00491-01	Fitting, ORS, 1.125 ODF x 1-11/16-12	1
22	68PD1-1082	Tube, Suction, Straight, 1-1/8 OD x .065W x 2.00 Inches Long, Steel	1
23	17-40005-05	Gasket, Suction Service Valve (Valve to Compressor)	1
24	17-13020-00	Bolt, Hex Head, 1/2 - 13 x 2.50 Inches Long	4
25	42-00243-01	O-Ring, 1.171 ID x 0.139 Thick	2
26	40-00060-02	Elbow, Street, 1/4 FPT x 1/4 MPT	1
27	06DA403844	Valve Assembly, Schrader, 1/4 Male Flare	1
28	40-00086-04	Cap, Nut, 1/4 FFL, Brass	1



12.4 Compressor Installation Components - 68RM55-100-23, -24, -25

68PD537-104-122



NOTE: Common Parts are listed under Section 12.1

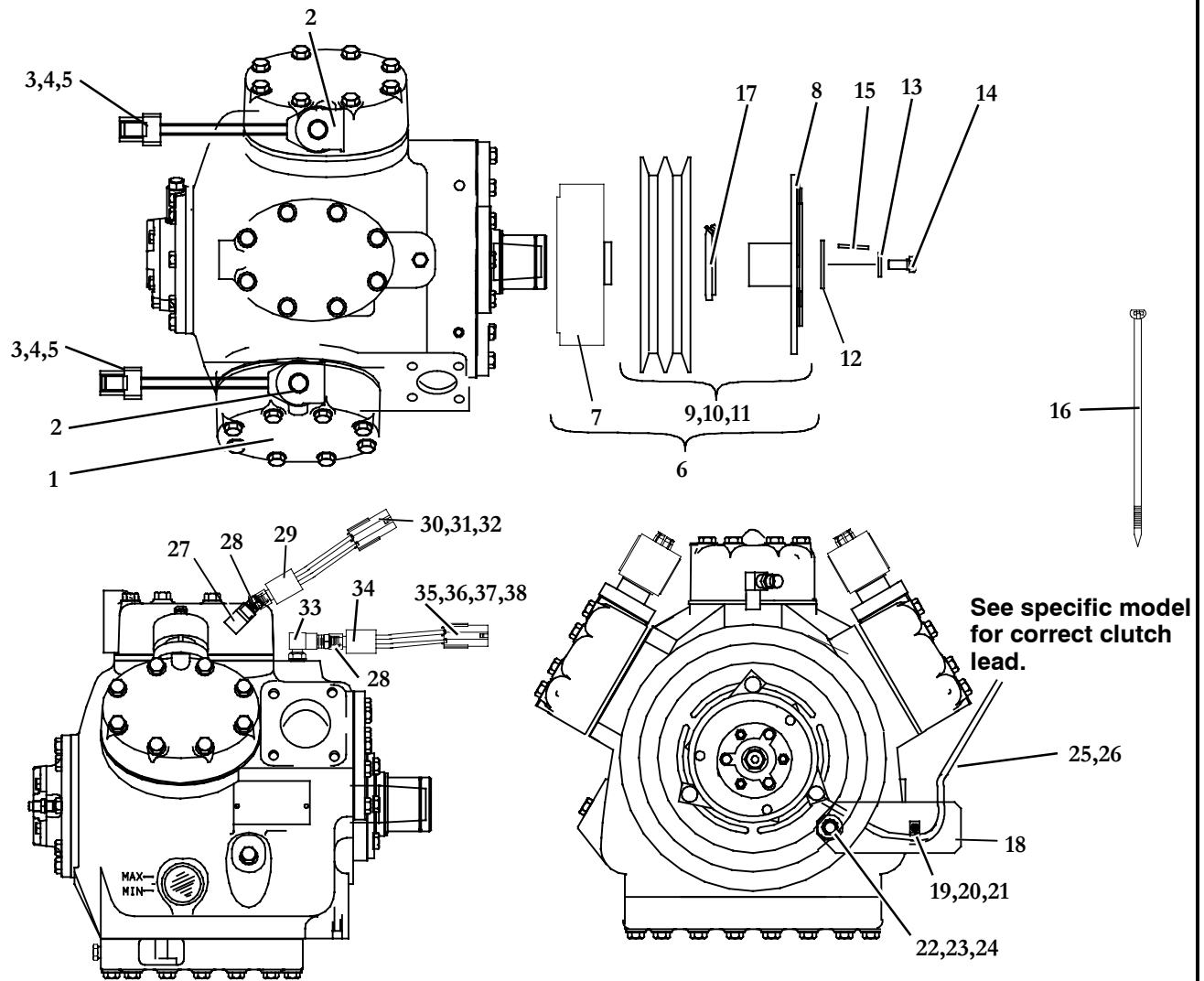
Item	Part Number	Description	Qty
1	68PD2-110-88	Valve Assembly, Discharge, Service - Includes:	1
2	68PD1-333-6	Valve Assembly, Discharge, With Tube & Fitting - Includes:	1
3	14-01042-10	Valve, Discharge, Service, 7/8 ODF - Includes:	1
4	17-10812-00	Cap, Service Valve (With NSS O-Ring Seal)	1
5	68PD1-1092-1	Tube, Bent, 7/8 OD x .049W Steel	1
6	40-00491-00	Fitting, ORS, 7/8 ODF x 1-7/16	1
7	17-10811-05	Gasket, Discharge Service Valve (Valve to Compressor)	1
8	17-40012-00	Bolt, Hex Head, 5/16-18 x 2.00 Inches Long	2
9	42-00243-00	O-Ring, ORS-10, .921 ID x 0.139 Thick	2
10	40-00060-08	Elbow, Street, 1/4 FPT x 1/8 MPT	1
11	06DA403844	Valve Assembly, Schrader, 1/4 Male Flare	1
12	40-00086-04	Cap, Nut, 1/4 FFL, Brass	1



12.4 Compressor Installation Components - 68RM55-100-23, -24, -25 (Continued)			
Item	Part Number	Description	Qty
13	12-00299-00	Switch, Pressure, High - Includes:	1
14	22-01585-00	Connector, Male, 2 Pin, Black	1
15	22-02393-00	Terminal, Male (14-16 AWG)	2
16	22-02394-01	Seal, Cable, Blue	2
17	68PD2-110-5	Valve Assembly, Suction, Service - Includes:	1
18	68PD1-293	Valve Assembly, Suction, With Tube & Fitting - Includes:	1
19	17-31062-00	Valve, Suction, Service, 1-1/8 ODF	1
20	40-00491-01	Fitting, ORS, 1.125 ODF x 1-11/16-12	1
21	68PD1-1082	Tube, Suction, Straight, 1-1/8 OD x .065W x 2.00 Inches Long, Steel	1
22	17-40005-05	Gasket, Suction Service Valve (Valve to Compressor)	1
23	17-13020-00	Bolt, Hex Head, 1/2 - 13 x 2.50 Inches Long	4
24	42-00243-01	O-Ring, 1.171 ID x 0.139 Thick	2
25	40-00060-02	Elbow, Street, 1/4 FPT x 1/4 MPT	1
26	06DA403844	Valve Assembly, Schrader, 1/4 Male Flare	1
27	40-00086-04	Cap, Nut, 1/4 FFL, Brass	1



12.5 Compressor Installation Components - R-134a Systems - Common Parts



Item	Part Number	Description	Qty
1	17-44062-00	Compressor Assembly, 05G Service (Remanufactured, 41 CFM, R-134a)	1
	18-00091-160	Compressor Assembly, 05G Service (New, Twin Port, 41 CFM, R-134a)	1
2	22-02804-02	Coil, Solenoid, Compressor Unloader, 24 VDC	2
3	22-02392-01	Connector, 2 Pin, Medium Gray	2
4	22-02393-01	Terminal, Male (18-20 AWG)	4
5	22-02394-00	Seal, Cable, Gray	4
6	50-01122-14	Clutch Assembly, 24 VDC (Less Lock Nut Item 17) - Includes:	1
7	50-01122-50	Coil, Clutch, 24 VDC	1
8	NSS	Armature Assembly	1
9	50-01122-93	Rotor And Armature Assembly (2-5V Groove At 10.50 Inches OD) - Includes:	1
10	04-00130-00	Bearing	1
11	34-01186-00	Ring, Retainer	1
12	68G2-9082	Washer, Special, 0.438 ID	1

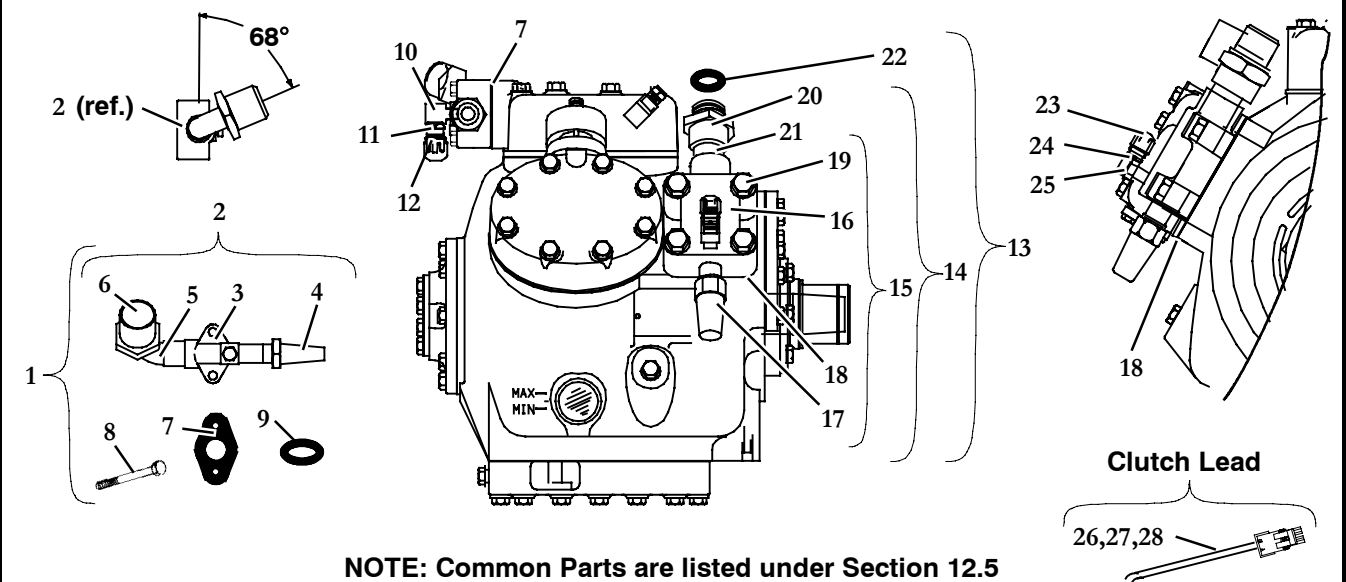


12.5 Compressor Installation Components - R-134a Systems - Common Parts (Continued)			
Item	Part Number	Description	Qty
13	AU11AS241	Washer, Split Lock, 3/8 Inch, Zinc Plated	1
14	34-00613-10	Screw, Hex Head Cap, 3/8-24 x 1.25 Inches Long, Grade 8, Zinc Plated	1
15	68G2-9072	Key, Crankshaft, Special	1
16	66U1-3882	Wire Tie, Self-Locking, 7.00 Inches, Black	1
17	34-06083-00	Nut, Lock, Clutch, Special	1
18	68PD1-1202	Bracket, Clutch Wire Support	1
19	34-00373-51	Clamp, Tube, 0.25 Inch Diameter, Cushioned	1
20	34-00827-10	Screw, Machine, Slotted, #8-32 x 0.625 Inch Long, SST	1
21	AT31AB101	Nut, Hex, Keps, #8-32, Zinc Plated	1
22	17-40037-05	Screw, Hex Head Cap, 3/8-16 x 1.00 Inch Long, Zinc Plated	1
23	AU02AB242	Washer, Plain, 3/8 SAE, Zinc Plated	1
24	34-00372-13	Washer, Lock, 3/8, External Tooth	1
25	62-02444-00	Label, Charge Only with R-134a	1
26	62-02913-00	Label, POE Oil (Compressor)	1
27	14-01093-00	Snubber Assembly, 90 Degree, 1/4 MPT x 1/4 FPT	1
28	06DA403844	Valve Assembly, Schrader, 1/4 Male Flare	2
29	12-00299-14	Switch, Pressure, High - Includes:	1
30	22-01585-00	Connector, Male, 2 Pin, Black	1
31	22-02393-00	Terminal, Male (14-16 AWG)	2
32	22-02394-01	Seal, Cable, Blue	2
33	40-01166-01	Elbow, Adapter, 1/4 FPT x 7/16 UNC	1
34	12-00299-01	Switch, Pressure, Low - Includes:	1
35	22-02392-00SV	Connector Kit, 2 Pin - Includes:	1
36	NSS	Connector, Male, 2 Pin, Black	1
37	22-02393-00	Terminal, Male (14-16 AWG)	2
38	22-02394-01	Seal, Cable, Blue (14-18 AWG)	2



12.6 Compressor Installation Components - 68RM55-101-3, -4, -5, -6, -7, -8

68PD541-104-54



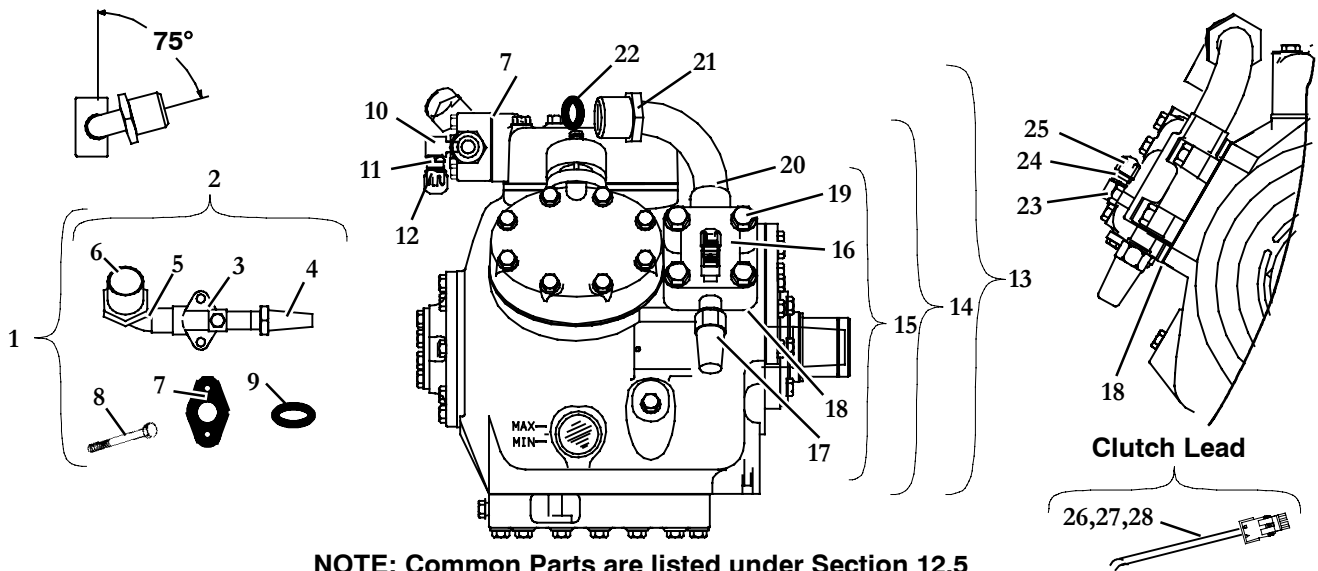
NOTE: Common Parts are listed under Section 12.5

Item	Part Number	Description	Qty
1	68PD2-110-88	Valve Assembly, Discharge, Service - Includes:	1
2	68PD1-333-6	Valve Assembly, Discharge, With Tube & Fitting - Includes:	1
3	14-01042-10	Valve, Discharge, Service, 7/8 ODF - Includes:	1
4	17-10812-00	Cap, Service Valve (With NSS O-Ring Seal)	1
5	68PD1-1092-1	Tube, Bent, 7/8 OD x .049W Steel	1
6	40-00491-00	Fitting, ORS, 7/8 ODF x 1-7/16	1
7	17-10811-05	Gasket, Discharge Service Valve (Valve to Compressor)	1
8	17-40012-00	Bolt, Hex Head, 5/16-18 x 2.00 Inches Long	2
9	42-00243-00	O-Ring, ORS-10, .921 ID x .139 Thick	2
10	40-00524-01	Elbow, 1/8 NPT x M15, High Pressure Side	1
11	40-00520-01	Coupling, Service Port, M15, R-134a - Includes:	1
12	40-00520-03	Cap, Service Port	1
13	68PD2-110-21	Valve Assembly, Suction, Service - Includes:	1
14	68PD1-293-3	Valve Assembly, Suction, With Tube & Fitting - Includes:	1
15	17-40002-01	Valve Package, Suction, Service - Includes:	1
16	NSS	Valve, Suction, Service, 1-3/8 ODF	1
17	17-10812-00	Cap, Service Valve Stem, With "O" Ring, Plastic	1
18	17-40005-05	Gasket, Suction Service Valve (Valve to Compressor)	1
19	17-13020-00	Bolt, Hex Head, 1/2-13 x 2.50 Inches Long	4
20	40-00491-04	Fitting, ORS, 1.375 ODF x 2.00-12	1
21	68PD1-1082-2	Tube, Suction, Straight, 1-3/8 OD x .065W x 2.19 Inches Long, Steel	1
22	42-00243-02	O-Ring, 1.484 ID x 0.139 Thick	2
23	40-00524-00	Elbow, 1/4 NPT x M13, Low Pressure Side	1
24	40-00520-00	Coupling, Service Port, M13, R-134a - Includes:	1
25	40-00520-02	Cap, Service Port	1
26	22-02393-00	Terminal, Male (14-16 AWG)	2
27	22-02394-01	Seal, Cable, Blue	2
28	22-01585-02	Connector, Male, 2 Pin, Medium Gray	1



12.7 Compressor Installation Components - 68RM55-101-9

68PD541-104-78

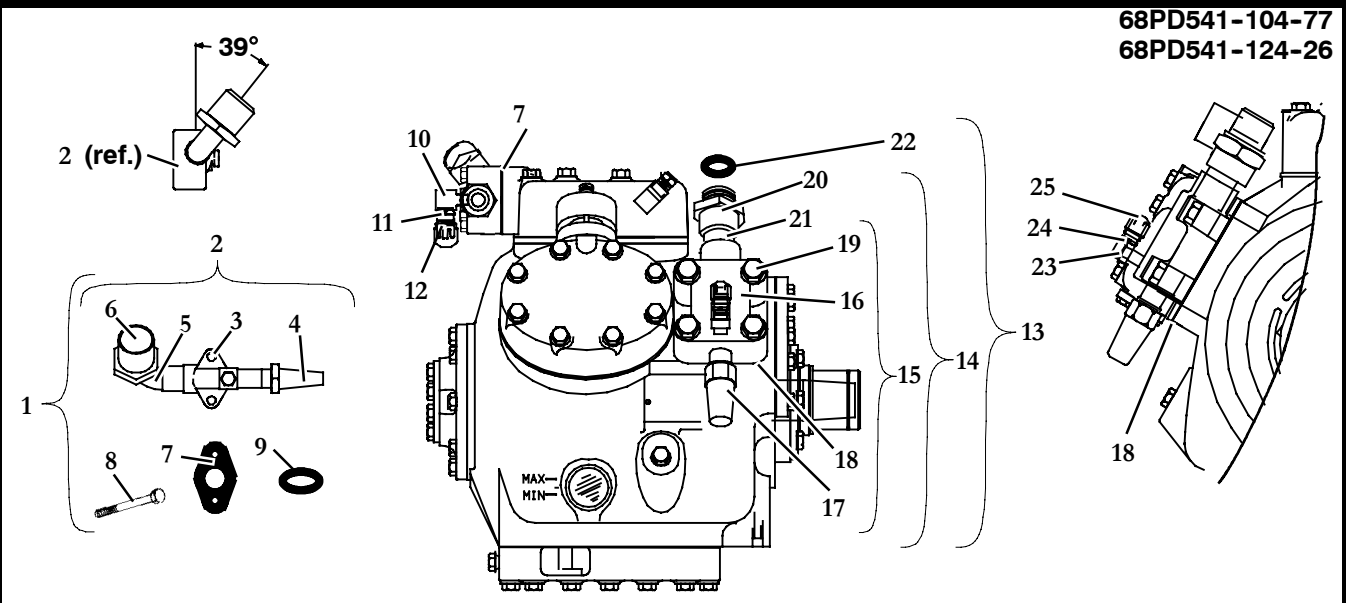


NOTE: Common Parts are listed under Section 12.5

Item	Part Number	Description	Qty
1	68PD2-110-94	Valve Assembly, Discharge, Service - Includes:	1
2	68PD1-333-8	Valve Assembly, Discharge, With Tube & Fitting - Includes:	1
3	14-01042-10	Valve, Discharge, Service, 7/8 ODF - Includes:	1
4	17-10812-00	Cap, Service Valve (With NSS O-Ring Seal)	1
5	56-08459-00	Tube, Bent, 7/8 OD x .049W Steel	1
6	40-00491-00	Fitting, ORS, 7/8 ODF x 1-7/16	1
7	17-10811-05	Gasket, Discharge Service Valve (Valve to Compressor)	1
8	17-40012-00	Bolt, Hex Head, 5/16-18 x 2.00 Inches Long	2
9	42-00243-00	O-Ring, ORS-10, .921 ID x .139 Thick	2
10	40-00524-01	Elbow, 1/8 NPT x M15, High Pressure Side	1
11	40-00520-01	Coupling, Service Port, M15, R-134a - Includes:	1
12	40-00520-03	Cap, Service Port	1
13	68PD2-110-43	Valve Assembly, Suction, Service - Includes:	1
14	81-01991-00	Valve Assembly, Suction, With Tube & Fitting - Includes:	1
15	17-40002-01	Valve Package, Suction, Service - Includes:	1
16	NSS	Valve, Suction, Service, 1-3/8 ODF	1
17	17-10812-00	Cap, Service Valve Stem, With "O" Ring, Plastic	1
18	17-40005-05	Gasket, Suction Service Valve (Valve to Compressor)	1
19	17-13020-00	Bolt, Hex Head, 1/2-13 x 2.50 Inches Long	4
20	56-08458-00	Tube, Suction, Bent, 1-3/8 OD x .065W Steel	1
21	40-00491-04	Fitting, ORS, 1.375 ODF x 2	1
22	42-00243-02	O-Ring, 1.484 ID x 0.139 Thick	2
23	40-00524-00	Elbow, 1/4 NPT x M13, Low Pressure Side	1
24	40-00520-00	Coupling, Service Port, M13, R-134a - Includes:	1
25	40-00520-02	Cap, Service Port	1
26	22-02393-00	Terminal, Male (14-16 AWG)	2
27	22-02394-01	Seal, Cable, Blue	2
28	22-01585-02	Connector, Male, 2 Pin, Medium Gray	1



12.8 Compressor Installation Components - 68RM55-101-7, -8, -9, -10, -11, -12, -15, -16, -17, -18, -19, -20, -21, -23, -24, -25, -26

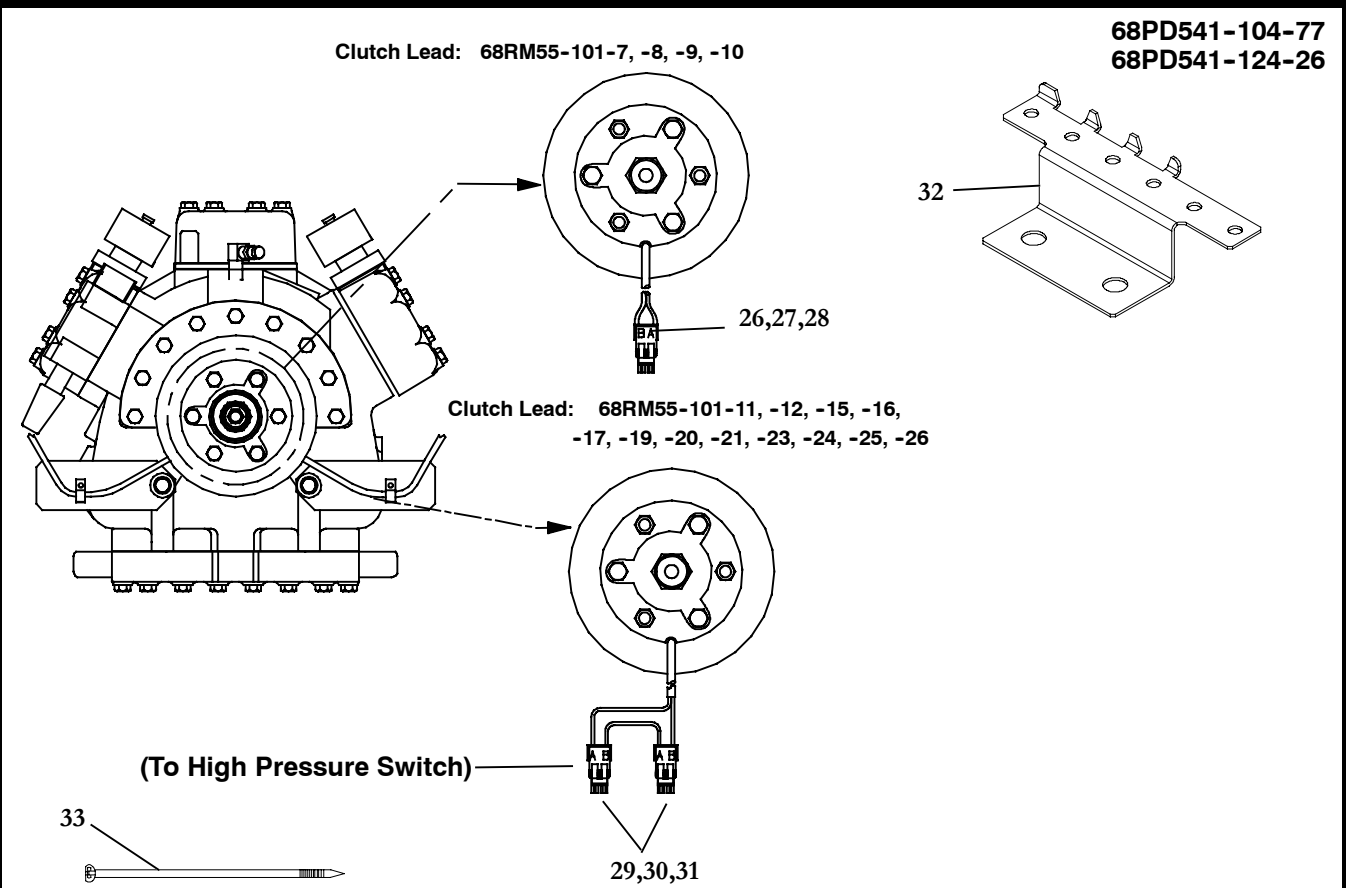


NOTE: Common Parts are listed under Section 12.5

Item	Part Number	Description	Qty
1	68PD2-110-93	Valve Assembly, Discharge, Service - Includes:	1
2	68PD1-333-7	Valve Assembly, Discharge, With Tube & Fitting - Includes:	1
3	14-01042-10	Valve, Discharge, Service, 7/8 ODF - Includes:	1
4	17-10812-00	Cap, Service Valve (With NSS O-Ring Seal)	1
5	68PD1-1092-1	Tube, Bent, 7/8 OD x .049W Steel	1
6	40-00491-00	Fitting, ORS, 7/8 ODF x 1-7/16	1
7	17-10811-05	Gasket, Discharge Service Valve (Valve to Compressor)	1
8	17-40012-00	Bolt, Hex Head, 5/16-18 x 2.00 Inches Long	2
9	42-00243-00	O-Ring, ORS-10, .921 ID x .139 Thick	2
10	40-00524-01	Elbow, 1/8 NPT x M15, High Pressure Side	1
11	40-00520-01	Coupling, Service Port, M15, R-134a - Includes:	1
12	40-00520-03	Cap, Service Port	1
13	68PD2-110-21	Valve Assembly, Suction, Service - Includes:	1
14	68PD1-293-3	Valve Assembly, Suction, With Tube & Fitting - Includes:	1
15	17-40002-01	Valve Package, Suction, Service - Includes:	1
16	NSS	Valve, Suction, Service, 1-3/8 ODF	1
17	17-10812-00	Cap, Service Valve Stem, With "O" Ring, Plastic	1
18	17-40005-05	Gasket, Suction Service Valve (Valve to Compressor)	1
19	17-13020-00	Bolt, Hex Head, 1/2-13 x 2.50 Inches Long	4
20	40-00491-04	Fitting, ORS, 1.375 ODF x 2.00-12	1
21	68PD1-1082-2	Tube, Suction, Straight, 1-3/8 OD x .065W x 2.19 Inches Long, Steel	1
22	42-00243-02	O-Ring, 1.484 ID x 0.139 Thick	2
23	40-00524-00	Elbow, 1/4 NPT x M13, Low Pressure Side	1
24	40-00520-00	Coupling, Service Port, M13, R-134a - Includes:	1
25	40-00520-02	Cap, Service Port	1



12.8 Compressor Installation Components- 68RM55-101-7, -8, -9, -10, -11, -12, -15, -16, -17, -18, -19, -20, -21, -23, -24, -25, -26 (Continued)



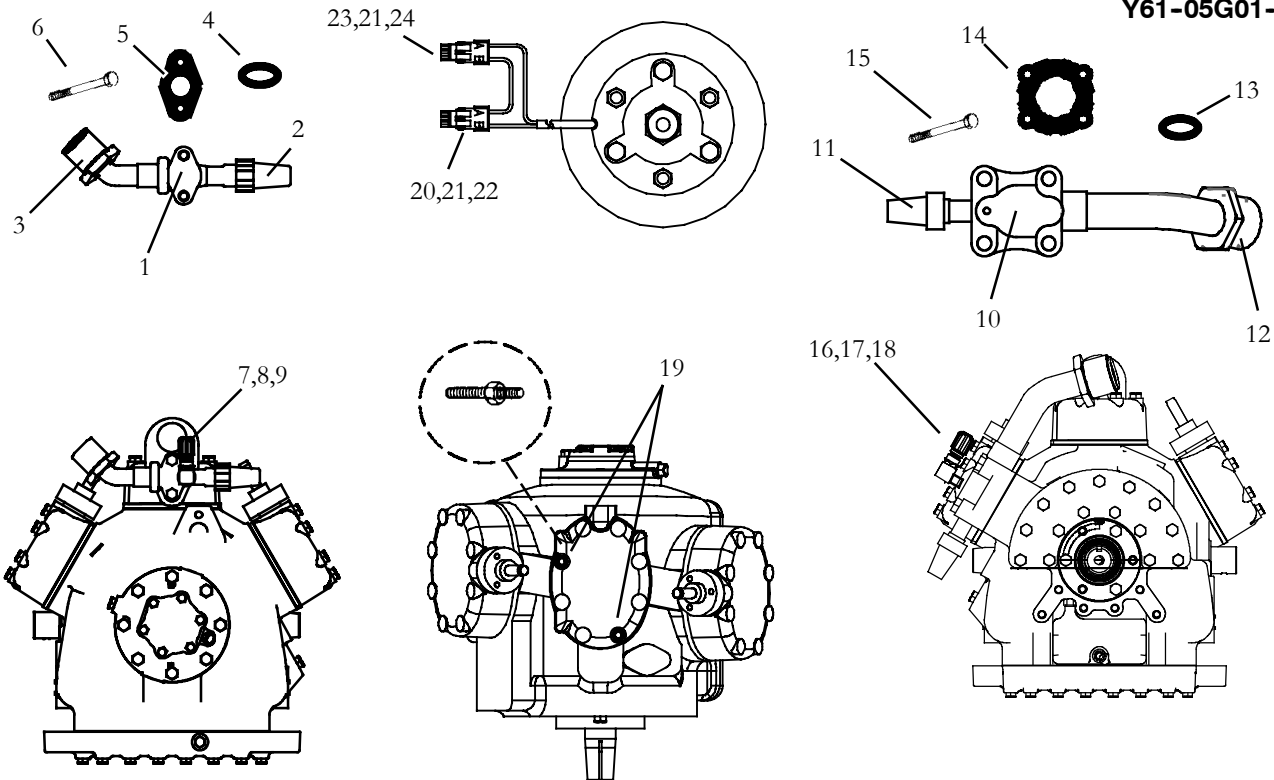
NOTE: Common Parts are listed under Section 12.5

Item	Part Number	Description	Qty
		Used On Compressors Installed With: 68RM55-101-7, -8, -9, -10	
26	22-02393-00	Terminal, Male (14-16 AWG)	2
27	22-02394-01	Seal, Cable, Blue	2
28	22-01585-02	Connector, Male, 2 Pin, Medium Gray	1
		Used On Compressors Installed With: 68RM55-101-11, -12, -15, -16, -17, -18, -19, -20, -21, -23, -24, -25, -26	
29	22-02393-00	Terminal, Male (14-16 AWG)	4
30	22-02394-01	Seal, Cable, Blue	4
31	22-01585-02	Connector, Male, 2 Pin, Medium Gray	2
32	68-15460-00	Bracket, Harness Support	1
33	HY76TB130	Wire Tie, Self-Locking, 5.50 Inches	14



12.9 Compressor Installation Components - Y13-R5501-00 & -01

Y61-05G01-10



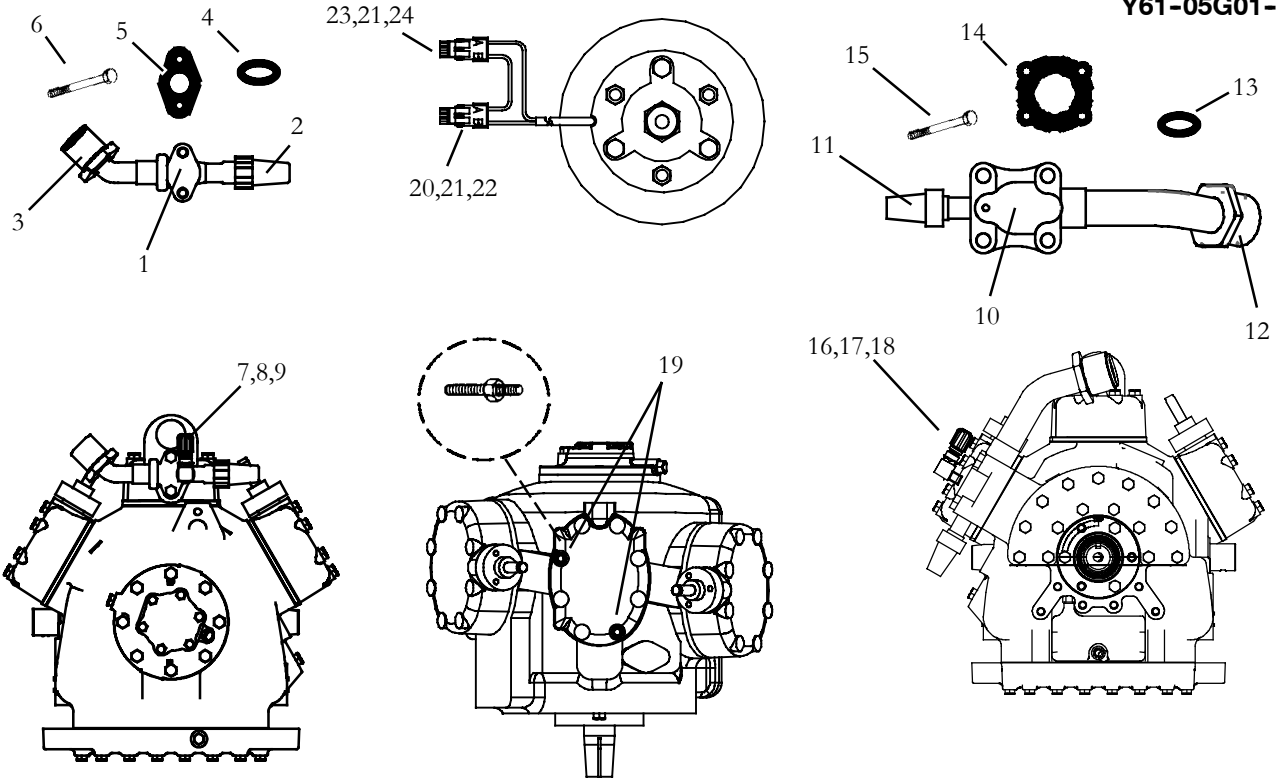
NOTE: Common Parts are listed under Section 12.5

Item	Part Number	Description	Qty
1	14-01042-00	Valve, Discharge, Service, Shutoff, 7/8 NOM - Includes:	1
2	17-10812-00	Cap, Service Valve (With NSS O-Ring Seal)	1
3	40-00491-00	Fitting, ORS, 7/8 ODF x 1-7/16-12	1
4	42-00243-00	O-Ring, ORS-10, .921 ID x .139 Thick	2
5	17-10811-05	Gasket, Discharge Service Valve (Valve to Compressor), Fiber	1
	17-44138-00	Gasket, Discharge Service Valve (Valve to Compressor), Metal	1
6	34-00302-16	Bolt, Hex Head, 5/16-18 x 2.00 Inches Long	2
7	40-00524-01	Elbow, 1/8 NPT x M15, High Pressure Side	1
8	40-00520-01	Coupling, Service Port, M15, R-134a - Includes:	1
9	40-00520-03	Cap, Service Port	1
10	14-00171-00	Valve, Suction, Service, Shutoff, 1.38 I.D. - Includes:	1
11	17-10812-00	Cap, Service Valve Stem, With "O" Ring, Plastic	1
12	40-00491-04	Fitting, ORS, 1.375 ODF x 2.00 -12	1
13	42-00243-02	O-Ring, 1.484 ID x 0.139 Thick	1
14	17-40005-05	Gasket, Suction Service Valve (Valve to Compressor)	1
15	17-13020-00	Bolt, Hex Head, 1/2-13 x 2.50 Inches Long	4
16	40-00524-00	Elbow, 1/4 NPT x M15, Low Pressure Side	1
17	40-00520-00	Coupling, Service Port, M13, R-134a - Includes:	1
18	40-00520-02	Cap, Service Port	1
19	17-44017-02	Stud, Compressor Head	2
20	22-02393-00	Terminal, Male (14-16 AWG)	2



12.9 Compressor Installation Components - Y13-R5501-00 & -01 (Continued)

Y61-05G01-10

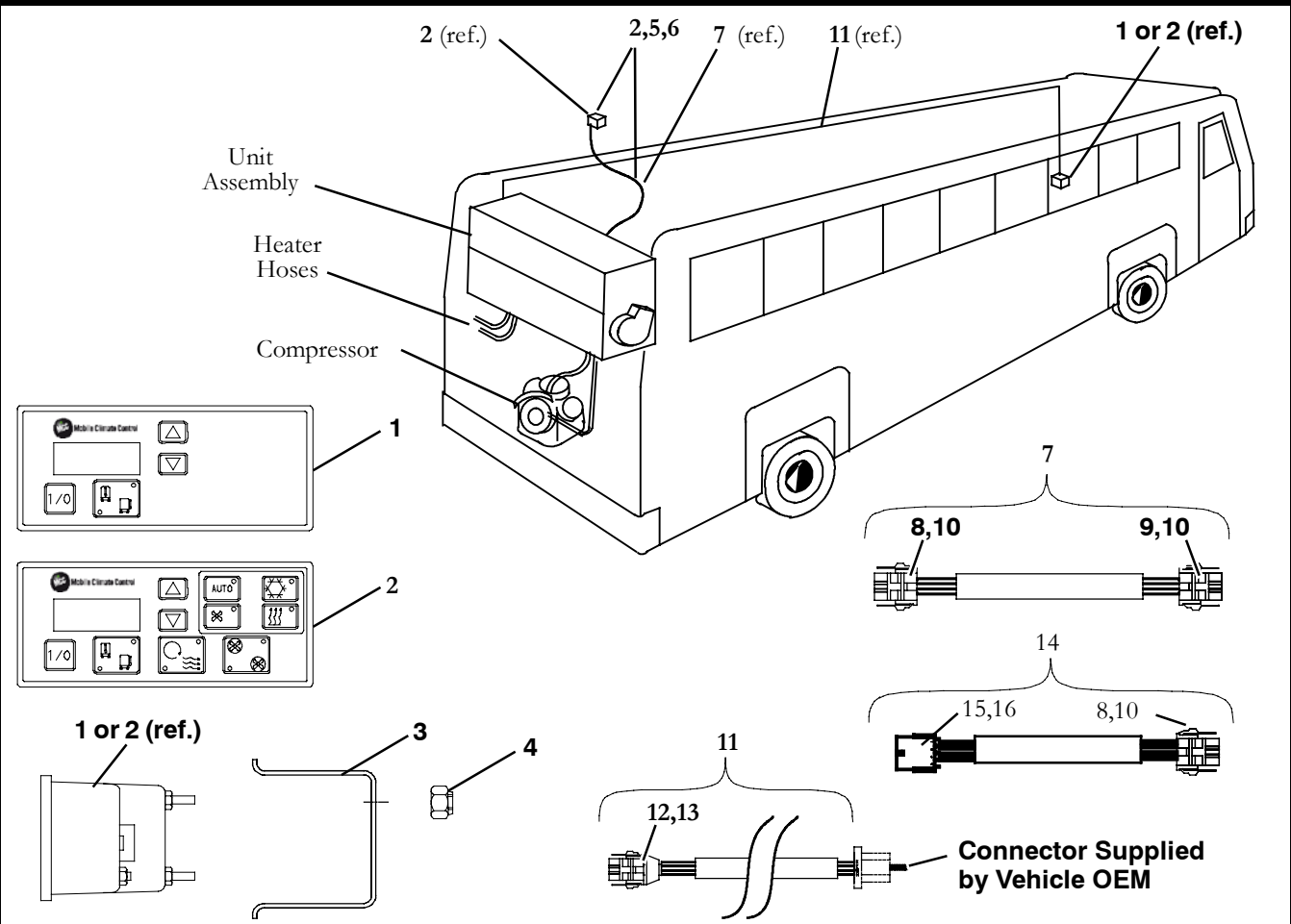


NOTE: Common Parts are listed under Section 12.5

21	22-02394-01	Seal, Cable, Blue	4
22	22-01585-02	Connector, Male, 2 Pin, Medium Gray	1
23	22-01585-00	Connector, Male, 2 Pin, Medium Gray	1
24	22-02393-00	Terminal, Female (14-16 AWG)	2



13 MICROMATE CONTROL PANEL



Item	Part Number	Description	Qty
1	12-00580-00	Module, Drivers Display (Micromate Control Panel)	1
2	12-00391-03	Module, Drivers Display (Micromate Control Panel) (Full Function)	1
3	68-62125-00	Clamp, Retaining, Driver's Display, Painted	2
4	34-00667-57	Nut, Hex, Self-Locking, #6-32, SST	2
5	CM090-226	Kit, Microprocessor Diagnostic Service Tool With Harness - Includes:	1
2	12-00391-03	Module, Drivers Display (Micromate Control Panel) (Full Function)	1
6	CM201-968	Harness, Display Module, 70 Inches (One End Uses Deutsch Connector)	1
7	22-62032-00	Harness, Display Module, 35 Inches (Used With Micromate As A Diagnostic Tool, Connects To J2 Port On Controller Logic Module) - Includes:	1
	22-62063-02	Harness, Display Module, 120 Inches (Used With Micromate As A Diagnostic Tool, Connects To J2 Port On Controller Logic Module) - Includes:	
8	22-62026-00	Connector, 6 Position, Red (MCP)	1
9	22-50145-00	Connector, 4 Position(J2)	1
10	22-50152-00	Terminal, Female Receptacle (16-26 AWG)	8
11	22-62062-00	Harness, A/C Control, 58 Feet Long (Installed By Vehicle Manufacturer) - Includes:	1
12	22-62026-00	Connector, 6 Position, RED (MCP)	1
13	22-50152-00	Terminal, Female Receptacle (16-26 AWG)	4



13 MICROMATE CONTROL PANEL- (Continued)			
Item	Part Number	Description	Qty
14	22-62064-02	Harness, A/C Control, 54 Feet Long - Includes: (Used on Y13-R5501-01)	NSA
8	22-62026-00	Connector, 6 Position, (Amp)	1
10	22-50152-00	Terminal, Female Receptacle (16-26 AWG)	4
15	22-02392-03	Connector, Male, 4 PositionWeatherpac	1
16	22-02393-01	Terminal, Male, 18-20 AWG	4



PARTS INDEX

0

02-00010-01	69, 75
02-00137-00	48
02-00137-03	27, 48
02-00314-00	81, 82
02-62001-00	85
04-00130-00	90, 96
06DA403844	91, 92, 93, 94, 95, 97
08-00192-02	51
08-62002-00	52
08-62008-01	51
08-62011-00	51
08-62019-00	51, 52
08-62022-01	52
08-62025-01	51

1

10-00247-03	28, 30, 34, 37, 40, 43, 46, 48
10-00247-05	34, 36, 39, 42, 45, 48
10-00286-09	29, 31, 35, 37, 40, 43, 46, 48, 50
10-00286-11	29, 30, 34, 36, 39, 42, 45, 48
10-00286-12	29, 30, 34, 36, 39, 42, 45, 48
10-00300-02	28, 31, 35, 37, 40, 43, 46, 48
10-00307-01	28, 30, 39, 43
10-00309-00	40, 43
10-00314-00	40, 43
10-00315-00	2, 5, 7, 11, 13, 15, 17, 19, 23, 25, 27
12-00299-00	92, 95
12-00299-01	91, 97
12-00299-14	97
12-00299-21	93
12-00352-00	3, 5, 8, 11, 13, 15, 17, 19, 22, 25, 27

12-00371-01	29, 30, 34, 36, 39, 42, 45, 48
12-00391-03	7, 11, 17, 20, 23, 26, 104
12-00392-15	29, 30, 34, 36, 39, 45, 48
12-00495-02SV	3, 4, 6, 9, 12, 14, 16, 18, 21, 24, 26, 29, 31, 35, 38, 41, 44, 47, 50
12-00546-00	42
12-00558-80	48
12-00580-00	104
14-00111-00	56, 60, 64, 68, 73
14-00171-00	102
14-00194-00	80
14-00196-00	54
14-00220-06	77
14-00236-00	54, 58, 62, 66, 71, 77
14-00236-50	54, 58, 62, 66, 71, 77
14-00236-51	54, 58, 62, 66, 71, 77
14-00281-04	54, 60, 62, 66, 71, 77
14-00320-00	56, 58, 64, 68, 75, 77
14-00351-00	51, 52, 54, 58, 60, 62, 64, 66, 68, 71, 73, 78
14-01032-01	56, 60, 64, 68, 73, 77
14-01042-00	102
14-01042-10	92, 93, 94, 98, 99, 100
14-01093-00	91, 97
14-01104-44	62, 66, 71, 77
14-01104-52	54, 58
14-01110-02	80
14-50036-00	80
14-50050-01	54, 60, 62, 66, 71, 77
14-50051-00	54, 60, 62, 66, 71, 77
14-50093-00	54, 60, 62, 66, 71, 77
16-03301-00	54, 60, 62, 66, 71, 77
17-10811-05	92, 93, 94, 98, 99, 100, 102
17-10812-00	92, 93, 94, 98, 99, 100, 102
17-13020-00	92, 93, 95, 98, 99, 100, 102
17-31062-00	92, 93, 95



PARTS INDEX

17-40002-01	98, 99, 100	22-02126-02	84, 88
17-40005-05	92, 93, 95, 98, 99, 100, 102	22-02126-03	13, 84, 86, 88
17-40012-00	92, 93, 94, 100	22-02302-02	3, 13, 19, 22, 27
17-40037-05	91, 97	22-02302-03	3, 4, 6, 9, 12, 14, 16, 18, 21, 24, 27
17-44012-00	98, 99	22-02336-04	30, 34, 37, 40, 42, 45, 47, 48, 50
17-44017-02	102	22-02336-06	29, 30, 34, 36, 39, 42, 45, 48, 49
17-44062-00	96	22-02336-25	31, 50
17-44138-00	102	22-02338-02	37, 40, 47, 50
18-00059-169	90	22-02338-03	31, 50
18-00091-150	90	22-02392-00	27, 50
18-00091-160	96	22-02392-00SV	3, 5, 7, 10, 13, 15, 17, 19, 22, 25, 32, 33, 35, 44, 47, 91, 93, 97
2			
22-00121-27	33, 43	22-02392-01	3, 90, 96
22-00872-01	11, 15	22-02392-03	105
22-01449-00	30, 34, 37, 40, 42, 45	22-02393-00	3, 5, 7, 10, 13, 15, 17, 19, 22, 25, 29, 50, 91, 92, 93, 95, 97, 98, 99, 101, 102, 103
22-01563-04	37, 41	22-02393-01	3, 4, 5, 6, 7, 9, 10, 12, 13, 14, 15, 16, 17, 18, 19, 21, 22, 24, 25, 26, 27, 32, 33, 35, 38, 41, 44, 47, 50, 90, 96, 105
22-01563-05	31, 35, 43, 46, 48	22-02394-00	3, 4, 6, 7, 9, 12, 14, 16, 18, 21, 24, 26, 27, 90, 96
22-01565-00	2, 5, 7, 11, 13, 17, 19, 23, 25, 27, 50	22-02394-01	3, 5, 10, 13, 15, 17, 19, 22, 25, 32, 33, 35, 44, 47, 50, 91, 92, 93, 95, 97, 98, 99, 101, 103
22-01565-01	3, 5, 7, 11, 13, 15, 17, 19, 23, 25, 27, 50	22-02394-02	5, 19, 22, 24, 29, 38, 41
22-01566-00	50	22-02448-00	27
22-01566-01	5, 19, 22, 24, 29, 32, 33, 38, 41, 47, 50	22-02448-00SV	3, 5, 8, 11, 13, 15, 17, 19, 23, 25, 27
22-01584-00	11, 15	22-02804-02	90, 96
22-01585-00	15, 27, 92, 95, 97, 103	22-02855-00	47
22-01585-00SK	19, 25	22-02856-00	46
22-01585-00SV	3, 5, 7, 10, 13, 15, 17, 22	22-02870-00	33
22-01585-02	3, 91, 98, 99, 101, 103	22-02893-00	47
22-01585-04	5, 19, 23, 25, 27		
22-01594-00	29, 31, 35, 37, 40, 43, 46, 48		
22-01612-00	28, 31, 35, 37, 41, 43, 46, 48		
22-01613-14	29, 38, 41		
22-01660-03	29, 38, 41		



PARTS INDEX

22-02901-00	31	22-62026-00	7, 11, 17, 20, 23, 104, 105
22-02905-00	46	22-62032-00	104
22-50078-09	50	22-62055-00	37
22-50078-09A	2, 5, 7, 11, 13, 15, 17, 19, 23, 25, 27, 50	22-62062-00	104
22-50078-76B	3, 5, 8, 11, 13, 15, 17, 19, 23, 25	22-62063-00	7, 11, 17, 20, 23, 26
22-50100-00	3, 5, 8, 11, 13, 15, 17, 19, 23, 25	22-62063-02	104
22-50122-05	35, 38, 41, 44, 47	22-62064-02	105
22-50122-15	47	22-62072-00	41
22-50134-00	29, 31, 35, 38, 41, 44, 47, 49	22-62076-00	31, 44
22-50135-00	29, 31, 32, 33, 35, 37, 41, 44, 47, 49	22-62077-00	35
22-50136-00	29, 32, 33, 35, 37, 41, 44, 47, 49	22-62080-00	35, 47, 48
22-50137-00	29, 32, 33, 35, 37, 41, 44, 47, 49	22-62085-00	32
22-50138-00	29, 32, 33, 35, 38, 41, 44, 47, 49	22-62086-00	43
22-50143-00	29, 32, 33, 35, 37, 41, 44, 47, 49	22-62087-00	31
22-50144-00	29, 31, 35, 37, 41, 44, 47, 49	22-62089-00	5, 19, 22, 24
22-50145-00	5, 7, 11, 19, 20, 22, 23, 24, 29, 37, 41, 49, 104	22-62105-00	35, 44
22-50146-00	29, 32, 33, 35, 37, 41, 44, 47, 49		
22-50148-00	29, 31, 32, 33, 35, 38, 41, 44, 47, 49	3	
22-50152-00	5, 7, 11, 19, 20, 22, 23, 24, 29, 31, 32, 33, 35, 38, 41, 44, 47, 50, 104, 105	34-00302-16	102
22-50153-00	29, 31, 35, 38, 41, 44, 47, 49	34-00360-09	29, 30, 34, 36, 42, 45
22-50236-00	29, 30, 34, 36, 39, 42, 45, 48, 50	34-00360-11	39
22-50275-00	29, 31, 35, 38, 41, 44, 47, 49	34-00372-13	91, 97
22-50346-00	33, 35, 47	34-00373-03	3, 4, 6, 11, 12, 14, 16, 18, 21, 24, 29
22-50347-00	33, 35, 47	34-00373-07	5, 7, 9, 13, 15, 17, 19, 23, 25, 26, 27
22-62005-00	27	34-00373-13	5, 8, 9, 13, 15, 17, 19, 22, 25, 27, 73
		34-00373-51	91, 97
		34-00613-10	91, 97
		34-00655-06	3, 4, 6, 12, 14, 16, 18, 21, 24, 28, 36, 58, 62, 66, 71, 73, 81, 82, 83, 86
		34-00655-08	2, 29, 31, 35, 43, 46, 56, 86, 87, 89
		34-00662-08	28, 31, 35, 37, 40, 43, 46, 58, 66, 71
		34-00662-09	3, 37, 39, 45



PARTS INDEX

34-00662-11	28, 31, 34, 36, 39, 42, 45, 54, 58, 62, 66, 71, 81, 82, 83, 86, 87, 88, 89	34-01268-01	3, 5, 7, 10, 13, 15, 17, 19, 22, 25, 27
34-00662-12	51, 52, 54, 58, 64, 68, 73	34-01317-00	79, 88, 89
34-00662-13	56, 58, 62, 66, 71	34-06083-00	91, 97
34-00662-18	80	34-06088-00	56, 60, 64, 68, 73, 77
34-00663-08	28, 31, 35, 37, 40, 43, 46, 54, 58, 62, 66, 71	34-06088-01	56, 60
34-00663-09	3, 37, 40	34-06088-02	64, 68, 73, 77
34-00663-11	3, 4, 6, 9, 12, 14, 16, 18, 21, 24, 28, 31, 35, 36, 39, 43, 46, 54, 58, 62, 66, 71, 81, 82, 83, 86, 87, 88, 89	34-06088-04	73, 78
34-00663-12	51, 52, 54, 58, 64, 68, 73, 83, 84, 85	34-06088-05	73, 77
34-00663-13	56, 58, 62, 66, 71, 83, 84	34-06095-00	2
34-00665-06	9, 39, 54	34-06095-01	5, 7, 11, 13, 15, 17, 19, 23, 25, 27
34-00665-14	80	34-06121-03	56, 58, 64, 68, 73, 77
34-00666-11	5, 7, 11, 13, 15, 17, 19, 23, 25, 60, 62, 66, 71, 86, 87, 88, 89	34-06121-04	56, 60, 64, 68, 75, 77
34-00667-07	7, 11, 17, 28, 36, 39	34-06179-01	11, 15, 37, 40
34-00667-09	11, 15, 28, 30, 34, 37, 39, 42, 45	34-06179-03	28, 30, 34, 37, 39, 42, 45
34-00667-11	54	34-06212-12	2, 4, 6, 9, 12, 14, 16, 19, 21, 24
34-00667-57	104	34-06212-14	83, 84
34-00672-00	83, 85	34-06212-15	80
34-00792-06	51, 52	34-06264-03	58, 62, 66, 71
34-00792-08	83, 84, 85	34-06264-04	28, 31, 35, 37, 40, 43, 46, 54
34-00799-04	54, 58, 64, 68, 73	34-06264-06	28, 31, 35, 37, 40, 43, 46
34-00807-08	56, 60, 64, 68, 73, 83, 84	34-50048-00	28, 36, 39
34-00827-10	91, 97	34-62000-00	29, 30, 34, 36, 39, 42, 45, 48
34-00855-04	58, 62, 66, 71	34-62000-01	29, 30, 34, 36, 39, 42, 45, 48
34-00879-03	2, 5, 7, 11, 13, 15, 17, 19, 23, 25, 27	34-62001-00	2, 5, 7, 11, 13, 15, 17, 19, 23, 25, 27
34-00938-13	2, 5, 7, 11, 13, 15, 17, 19, 23, 25	34-62055-00	31, 34, 42, 45
34-01186-00	90, 96	38-00512-00	85
		38-00512-01	85
		38-00516-00	83
		38-00571-20	88, 89
		38-00571-21	88, 89
			4
		40-00060-02	92, 93, 95



PARTS INDEX

40-00060-03	56, 60, 64, 68, 73	42-00032-00	56, 60, 69, 75
40-00060-08	92, 93, 94	42-00243-00	56, 60, 64, 68, 73, 77, 92, 93, 94, 98, 99, 100, 102
40-00081-00	51, 52	42-00243-01	56, 60, 92, 93, 95, 99
40-00086-04	92, 93, 94, 95	42-00243-02	64, 68, 73, 77, 98, 100, 102
40-00152-02	78	42-00243-03	56, 58, 64, 68, 73, 75, 78
40-00201-15	60	42-00243-09	77
40-00491-00	54, 60, 62, 66, 71, 77, 92, 93, 94, 98, 99, 100, 102	42-00243-11	56, 58, 64, 68, 75, 77
40-00491-01	54, 58, 92, 93, 95	42-62005-00	29, 30, 34, 36, 39, 42, 45
40-00491-04	64, 68, 73, 77, 98, 99, 100, 102	42-62009-00	81, 82
40-00491-12	77	42-62022-00	52
40-00491-15	73, 77	42-62023-00	52
40-00501-05	64, 68, 75, 77	42-62024-00	52
40-00501-06	56, 58, 60	42-62070-00	88, 89
40-00501-07	62, 66, 71, 77	42-62070-01	88, 89
40-00501-08	60	44-00045-03	60
40-00501-50	56, 58, 60, 62, 64, 66, 68, 71, 73, 75, 77	44-00102-51	5, 15, 23, 25, 27
40-00503-03	56, 58, 64, 68, 73, 77	44-00318-00	80
40-00503-04	56, 60, 64, 68, 75, 77	44-00337-12	60
40-00520-00	98, 99, 100, 102	44-01171-00	79
40-00520-01	98, 99, 100, 102		
40-00520-02	98, 99, 100, 102	5	
40-00520-03	98, 99, 100, 102	50-00122-14	90, 96
40-00521-00	77	50-00122-50	90, 96
40-00524-00	98, 99, 100, 102	50-00122-93	90, 96
40-00524-01	98, 99, 100, 102	54-00122-23	83, 84, 86, 87, 89
40-00541-02	80	54-00508-20	86
40-01124-00	51, 52, 54, 58, 60, 62, 64, 66, 68, 71, 73, 78	54-00508-30	83, 87, 89
40-01166-01	91, 97	54-00517-20	83, 87, 89
40-62028-00	73, 77	54-00533-00	84
40-62032-02	73, 77	54-00575-00	87, 89
40-64074-53	77	54-00575-28	87, 89
40-64075-53	77	54-00575-50	87, 89
		54-50067-00	84, 86
		54-50067-31	83, 84, 86
		56-00143-74	68, 73



PARTS INDEX

56-00143-75	68, 75	58-00511-08	29, 30, 34, 39, 42, 45
56-00143-78	56, 58, 60	58-00712-17	80
56-00145-26	54, 60, 62, 66, 71	58-00848-00	25
56-03843-06	58, 68, 73	58-00848-33	3, 5, 7, 13, 15, 19, 22
56-03900-01	73	58-00850-00	3, 5, 8, 11, 13, 15, 17, 19, 23, 25, 33, 38, 41, 43, 47
56-03901-00	73	58-00858-00	3, 5, 7, 11, 13, 17, 19, 25
56-08458-00	99	58-00858-33	15
56-08459-00	99	58-62022-00	73, 77
56-62017-00	54, 60, 62, 66, 71	58-64105-02	77
56-62026-00	54		
56-62027-00	54	6	
56-62029-00	56	62-02444-00	97
56-62032-00	54	62-02913-00	97
56-62033-00	54	62-03797-00	91
56-62070-00	80	62-04062-01	81, 82
56-62071-00	80	62-62001-00	81, 82
56-62088-00	62	62-62003-00	81, 82
56-62089-00	58, 62, 66, 71	62-62007-00	28
56-62093-00	73	62-62011-00	28
56-62126-00	64, 68, 75	62-62012-00	2
56-62140-00	60	62-62020-00	81, 82
56-62141-00	58, 66, 71	62-62037-00	81, 82
56-62142-00	58	62-62038-00	83, 84, 86, 87, 89
56-62143-00	60	62-62039-00	82
56-62143-75	64	62-62039-01	81
56-62207-00	54, 58, 62, 66, 71	62-62040-02	28, 37, 41
58-00065-27	11, 43	62-62040-04	31, 35, 43, 46
58-00065-49	3, 5, 7, 11, 13, 15, 17, 19, 23, 25, 27	62-62041-00	80
58-00065-52	58, 62, 66, 71	62-62041-01	80
58-00065-85	5, 7, 11, 13, 15, 17, 19, 23, 25, 27, 58, 62, 66, 71	62-62041-04	5, 7, 11, 13, 15, 17, 19, 23, 25
58-00065-87	5, 7, 11, 12, 15, 17, 19, 22, 23, 25, 54	62-62041-05	5, 7, 11, 13, 15, 17, 19, 23, 25
58-00079-00	29, 33, 38, 41, 43, 47	62-62041-06	5, 7, 11, 13, 15, 17, 19, 23, 25
58-00511-00	36	62-62041-11	31, 35, 37, 40, 43, 46



PARTS INDEX

62-62041-13	31, 40, 43	68-62266-00	64
62-62041-16	29, 31, 34, 37, 40, 43, 46	68-62275-00	43
62-62041-20	31, 35, 37, 41, 43, 46	68-62320-00	4, 6, 9, 13, 14, 16, 19, 21, 24
62-62041-21	31, 41, 43	68-62402-00	7, 11, 17, 20, 23, 26
62-62041-22	5, 11, 23, 28, 35, 37, 40, 46	68-62477-00	36, 39
62-62041-23	34, 43, 46	68-62492-00	73
62-62041-24	30, 34, 36, 39, 42, 45	68-62504-00	73
62-62041-25	30, 34, 37, 40, 43, 46	68-62523-00	60, 62, 66, 71
62-62041-26	31, 35, 37, 40, 43, 46	68-62571-00	39
62-62041-27	30, 34, 36, 39, 42, 45	68-62603-00	30, 34, 42, 45
62-62043-00	34, 37, 46	68-62604-00	30, 34, 42, 45
62-62043-01	30, 40, 43	68-62638-01	58, 62, 66, 71
62-62043-02	34, 37, 46	68-62640-00	60
62-62043-03	30, 40, 43	68-62649-00	68, 73
62-62043-04	34, 36, 40, 43, 46	68G2-9072	91, 97
62-62043-05	30	68G2-9082	90, 96
62-62043-06	34, 36, 39, 43, 45	68PD1-1082	92, 93, 95
62-62043-07	30	68PD1-1082-2	98, 100
62-62044-00	30, 34, 37, 40, 43, 46	68PD1-1092-1	92, 93, 94, 98, 100
62-62045-00	81, 82	68PD1-1202	91, 97
65-01093-00	56, 60, 64, 68, 73, 77	68PD1-293	92, 93, 95
66CH1-1212-8	80	68PD1-293-3	98, 100
66U1-1214-5	54, 58, 62, 66, 71, 77	68PD1-333-5	92
66U1-3041	80	68PD1-333-6	93, 94, 98
66U1-3803-15	83, 84, 86, 87, 89	68PD1-333-7	100
66U1-3882	3, 4, 6, 11, 12, 14, 16, 18, 21, 24, 29, 33, 38, 41, 43, 47, 80, 91, 97	68PD1-333-8	99
66U1-5371-10	3	68PD2-110-21	98, 99, 100
66U1-9122	51, 52	68PD2-110-5	92, 93, 95
68-08074-01	73	68PD2-110-79	92
68-15460-00	101	68PD2-110-88	93, 94, 98
68-62084-00	28	68PD2-110-93	100
68-62125-00	7, 11, 17, 20, 23, 26, 104	68PD2-110-94	99
68-62158-01	58, 62, 66, 71	68RM35-1027P	29
68-62233-00	81, 82	68RM35-1036P	28
		68RM35-1037	28
		68RM35-1046	28



PARTS INDEX

68RM35-107P	85, 86, 88	68RM55-1152	80
68RM35-1106P	85	68RM55-1166	64, 68
68RM35-1112P	56, 58	68RM55-1168P	64, 68
68RM35-1133	83	68RM55-1175	62, 66, 71
68RM35-1162-3	64	68RM55-120P	51
68RM35-1163-9	81, 82	68RM55-122P	51
68RM35-117P	87, 89	68RM55-127	54
68RM35-1258-1	29	68RM55-128	54
68RM35-1303	81, 82	68RM55-129	54
68RM35-187P	83, 84	68RM55-131-12	2
68RM35-267	3, 4, 6, 9, 12, 14, 16, 18, 21, 24, 26	68RM55-131-14	12
68RM35-433P	84	68RM55-131-15	14
68RM40-1188	62, 66, 71	68RM55-131-16	4, 21
68RM40-1356P	29, 36, 39	68RM55-131-17	6
68RM40-157	28, 31, 35, 37, 41, 43, 46	68RM55-131-18	16, 18
68RM40-202-2	85, 86	68RM55-131-19	9
68RM40-202-3	87, 88, 89	68RM55-131-20	21
68RM45-193	80	68RM55-131-21	18
68RM55-1005P	56	68RM55-131-22	24
68RM55-1017	56	68RM55-135	85, 86, 87
68RM55-1025	56	68RM55-135-1	85, 86, 87
68RM55-1025-1	58, 62, 66, 71	68RM55-136-12	29
68RM55-1028P	36	68RM55-137	56
68RM55-1037	86, 87	68RM55-138-2	56
68RM55-1037-1	86, 87	68RM55-181	62, 66, 71
68RM55-1076	85	68RM55-183P	51, 52
68RM55-1111	62, 66, 71	68RM55-184P	52
68RM55-1112	62, 66, 71	68RM55-209	2
68RM55-1113	64, 69, 75	68RM55-209-12	4, 6, 9, 12, 14, 16, 18, 21, 24, 26
68RM55-1114	64, 68, 75	68RM55-209-13	12
68RM55-1115	62, 68, 73	68RM55-210	2
68RM55-1118	64, 68, 75	68RM55-210-13	4, 6, 9, 14, 16, 18, 21, 24, 26
68RM55-1141	64, 68, 75	68RM55-216P	51, 52
68RM55-1142P	86, 87, 88, 89	68RM55-231	64, 68
		68RM55-233	58, 62, 66, 71



PARTS INDEX

7

73-50006-00	54, 60, 62, 66, 71, 77
77-00275-00	26
77-00275-01	26, 50

8

81-01991-00	99
81-02653-01	73
81-02654-00	73
81-62018-00	80
81-62025-00	64
81-62051-00	64, 68, 75
81-62055-00	64, 68, 75
81-62065-00	60
81-62066-00	58
81-62067-00	60
81-62068-00	58
81-62069-00	60
81-62081-00	68
81-62087-00	73
81-62121-00	88
81-62261-00	89
86-62174-00	52

9

91-01166-00	21
91-01166-01	21
91-01166-02	18
91-01166-03	18
91-01166-04	24
91-01166-05	21
91-01166-06	21
91-01166-07	21

A

AC101-203	56, 60, 64, 68, 73, 77
AC101-620	51, 52
AC101-900	64, 68, 75
AC201-208	3
AC201-209	41
AC201-217	13, 86
AC201-225	29
AC201-244	3, 28, 37, 41, 83, 84, 86, 87, 89
AC201-600	28, 33, 37, 41, 47, 48, 50
AC201-901	29, 37, 40, 47, 50
AC201-931	29, 37, 40, 47, 50
AC202-209	3, 28, 37
AC202-210	3, 11, 13, 15, 20, 23, 25, 27
AC202-215	3, 5, 8, 11, 13, 15, 17, 19, 22, 25, 27
AC202-418	3, 5, 7, 10, 13, 15, 17, 19, 22, 25, 27
AC301-204	7, 16, 18, 24, 27
AC301-236-4	80
AC301-244	80
AC501-120	84
AC501-146	83
AC501-150	86
AC501-152	85, 88
AC701-201	3
AC701-221	3
AC701-237	7, 13, 16, 18, 24, 27
AC701-400	73, 80
AC801-414	51
AC801-446	79
AC801-604	40
AC801-606	54
AC801-607	3
AC901-580	56, 60, 64, 68, 73
AT31AB101	91, 97



PARTS INDEX

AU02AB242 91, 97
AU11AR241 91, 97

C

CM090-226 104
CM201-968 104
CM983-618 29, 31, 35, 37, 41, 44, 47, 49

D

DD19CA061 51, 52, 54, 58, 60, 62, 64, 66,
68, 71, 73, 78

H

HY76TB130 101

Y

Y24-00050-00 52
Y24-00062-00 88
Y24-00063-00 88
Y25-00016-00 26
Y25-00017-00 48
Y25-00018-00 48

Every driver deserves the best possible vehicle climate with MCC products

MCC provides exceptional performance in mobile climate comfort.



www.mcc-hvac.com

Member of MCC Group • Certified ISO 9001 and ISO 1 4001.
Specifications subject to change without notice. MCC is a registered trademark.