



Mobile Climate Control

T-308PL Manual



SERVICE PARTS LIST **for**

MODEL 68RF353-100 & 101

T-308PL

REV. 06/2012



TABLE OF CONTENTS

PARAGRAPH NUMBER	Page
INTRODUCTION	iii
CONFIGURATION IDENTIFICATION	iii
OPTION DESCRIPTION	iii
GENERAL NOTES	iii
ORDERING INSTRUCTIONS	iii
1 68RF353 ROOFTOP BUS AIR CONDITIONING SYSTEM	1
2 CONDENSER ASSEMBLY - LOCATIONAL VIEW	2
3 CONDENSER - FRAME KIT	3
4 CONDENSER COVER - SKINS KIT	4
4.1 Condenser - Skins Kit, Standard Cover - 100 & 101 Series - Option 1	4
4.2 Condenser - Skins Kit, 180 Inch Radius Cover, 101 Series - Option 2	5
4.3 Condenser - Skins Kit, 180 Inch Radius Cover, 101 Series - Option 3 - (Jan. 2008)	6
5 CONDENSER - ELECTRICAL KITS	7
5.1 Condenser - Electrical Kit - Option 1	7
5.2 Condenser - Electrical Kit - Option 2	8
6 CONDENSER - REFRIGERANT KIT	10
6.1 Condenser - Refrigerant Kit, 100 Series - Option 1	10
6.2 Condenser - Refrigerant Kit, 101 Series - Common Parts	13
6.2.1 Condenser - Refrigerant Kit, 101 Series - Option 2	14
6.2.2 Condenser - Refrigerant Kit, 101 Series - Option 3	16
6.2.3 Condenser - Refrigerant Kit, 101 Series - Option 4	17
7 CONDENSER - DECAL KIT	19
8 EVAPORATOR ASSEMBLY - LOCATIONAL VIEW	20
9 EVAPORATOR - FRAME KITS	22
9.1 Evaporator - Frame Kit, 100 Series - Options 1 & 2	22
9.2 Evaporator - Frame Kit, 100 Series - Options 3 & 4	24
9.3 Evaporator - Frame Kit, 101 Series - Options 5 & 6	27
9.4 Evaporator - Frame Kit, 101 Series - Option 7	29
9.5 Evaporator - Frame Kit, 101 Series - Options 8 & 9	31
9.6 Evaporator - Frame Kit, 101 Series - Option 10	33
10 EVAPORATOR - SKINS KITS	35
10.1 Evaporator - Skins Kit, Options 1 & 2	35
10.2 Evaporator - Skins Kit, Standard Cover - China Option 2	36
10.3 Evaporator - Skins Kit, Heat Only - Options 4 & 5	38
10.4 Evaporator - Skins Kit, Heat Only - Safety - Options 6 & 7	40
11 EVAPORATOR - ELECTRICAL KIT - OPTIONS 1, 2, 3 & 4	42



TABLE OF CONTENTS (Continued)

PARAGRAPH NUMBER	Page
12	43
EVAPORATOR - REFRIGERATION KIT	
12.1	43
Evaporator - Refrigeration Kit, 100 Series - Option 1	
12.2	46
Evaporator - Refrigeration Kit, 100 Series - Option 2	
12.3	49
Evaporator - Refrigeration Kit, 100 Series - Option 3	
12.4	52
Evaporator - Refrigeration Kit, 100 Series - Option 4	
12.5	56
Evaporator - Refrigeration Kit, 100 Series - Option 5	
12.6	60
Evaporator - Refrigeration Kit, 101 Series - Common Parts	
12.7	61
Evaporator - Refrigeration Kit, 101 Series - Option 6	
12.8	64
Evaporator - Refrigeration Kit, 101 Series - Options 7, 9 & 9A	
12.9	67
Evaporator - Refrigeration Kit, 101 Series - Option 8	
12.10	70
Evaporator - Refrigeration Kit, 101 Series - Option 10 (Heat Only)	
12.11	72
Evaporator - Refrigeration Kit, 101 Series - Option 11 (Heat Only)	
13	74
EVAPORATOR - AIR EXCHANGE	
13.1	74
Evaporator - Air Exchange Kit, 100 Series - Option 1	
13.2	75
Evaporator - Air Exchange Kit, 100 Series - Option 2	
13.3	77
Evaporator - Air Exchange Kit, 100 Series - Option 3	
13.4	79
Evaporator - Air Exchange Kit, 100 & 101 Series - Option 4	
14	80
CONTROLLER KIT	
14.1	82
Controller Kit - Heat Only - Multiplex - Option 4	
14.2	83
Controller Kit - Micromax - No Transducers - Option 5	
14.3	84
Controller Kit - Micromax, CAN - O5G - Option 6	
14.4	85
Controller Kit - Micromax, CAN & Slave Signal - O5G - Option 7	
15	86
CONTROL PANEL ASSEMBLY	
15.1	86
Control Panel Assembly - Option 1	
15.2	88
Control Panel Assembly - Option 2	
15.3	90
Control Panel Assembly - Option 3	
15.4	92
Control Panel Assembly, Multiplex - Option 4	
15.5	93
Control Panel Assembly, Multiplex (Heat Only)- Option 4 (New)	
15.6	95
Control Panel Assembly, Micromax (No Transducers) - Option 5	
15.7	97
Control Panel Assembly, Micromax (CAN), 05G - Option 6	
15.8	99
Control Panel Assembly, Micromax (CAN & Slave Signal), 05G - Option 7	
16	101
MICROMATE CONTROL PANEL & HARNESS	
17	102
RETURN AIR FILTER ASSEMBLY	
17.1	102
Return Air Filter Assembly, Option 1	
17.2	103
Return Air Filter Assembly, Option 2	
18	104
RF353 EVAPORATOR DECAL KIT, 77-62061-00 & -01	
19	105
COMPRESSOR INSTALLATION COMPONENTS	
19.1	105
Compressor Installation Components - RF353 - 68PD541-124-79	
19.2	109
Compressor Installation Components - RF353 - 68PD541-124-59	
PART NUMBER INDEX	Index-1



INTRODUCTION

1 INTRODUCTION

The Mobile Climate Control model 68RF series units are of lightweight frame construction, designed to be installed on the vehicle roof.

2 CONFIGURATION IDENTIFICATION

Unit identification information is provided on a plate located inside the condenser and evaporator sections. The plate provides the unit model number, the unit serial number and the unit parts identification number (PID). The model number identifies the overall unit configuration while the PID provides information on specific optional equipment and differences in detailed parts.

The following paragraph provides descriptions of the options provided. A tabular listing of unit model numbers and PID numbers, used to assist the reader in identifying the equipment supplied and any required service parts, is provided in Table 1-2 and Table 1-3

3 OPTION DESCRIPTION

Various options may be factory or field equipped to the base unit. These options are listed in Table 1-1 and described in the following subparagraphs.

3.1 Condenser Cover (Skins)

The condenser section may be fitted with one of three different cover assemblies dependent upon the curvature of the bus roof. The cover assemblies available are the standard, standard “China” and 180 inch radius cover.

3.2 Condenser/Evaporator Electrical Kit

The 68RF353 systems are available with either 24 Volt permanent magnet motors or 24 Volt brushless motors.

3.3 Condenser Refrigerant Kit

The 100 Series condensers are all fitted with the same Refrigerant Kit. The 101 Series units may be fitted with one of three different kits. The 101 Series Kits include: condensers fitted with service valves and a check valve, condensers with no service valves and fitted with a check valve and condensers fitted with service valves and no check valve.

3.4 Evaporator Frame Kit

The evaporator may be fitted with one of ten different base assemblies, depending if 100 (4 Assemblies) or 101 series (6 Assemblies) and whether the condenser is located in the front or rear. The assemblies allow fitting of different air exchange equipment, ESS Air Coolers and Spoiler Brackets.

3.5 Evaporator Cover (Skins)

The evaporator section may be fitted with one of seven different cover assemblies. A standard cover, a standard “China” cover, a 180 inch radius cover, an evaporator only with end caps, an evaporator only with grey end caps, evaporator only with safety option or evaporator only with safety option & grey.

3.6 Evaporator Refrigeration Kit

The Evaporator units are assembled to allow orientation of the connections for different mounting arrangements and may be supplied with various piping layouts for specific applications, including the ESS Air Cooler and Heat only application.

3.7 Air Exchange/Controller

The unit may be fitted with either an air exchange assembly or an air exchange blank off plate. Air exchange assemblies may be of the 0 & 20% opening, 0 & 100 % opening or customer preset type.

The customer preset air exchange uses a special controller.

There is also the heat only multiplex and the 05G Micromax kit.



4 GENERAL NOTES

To find replacement parts, determine major group in which replacement part is located. Consult table of contents for the appropriate page for the illustrated breakdown of the replacement part. If options are listed for the group in which the part is located, consult Table 1-2 or Table 1-3 to identify the option for your particular unit.

The following letter designations are used to classify parts throughout this list.

A/R *As Required*

NSA *Not Stock Assembly* - Order components listed under the assembly.

NSS *Not Sold Separately* - Order next higher assembly or kit.

P-- *Suffix P--* added to part number means part is available in packaged quantity only.

PL *Purchase Locally.*

SST *Stainless Steel - 300 Series* unless otherwise specified.

SV *Suffix SV* added to part number designates service replacement part.

NS *Not Shown* on illustration.

5 ORDERING INSTRUCTIONS

All orders and inquiries for parts must include: Unit Serial Number, Part No., PID number, description of part as shown on list and quantity required. Parts can be ordered by going to the following website:

www.mcc-hvac.com



Table 1-1 Option Legend

	DESCRIPTION
Condenser Skins Kit	
1	Standard Cover
2	180 Inch Radius Cover
3	Standard Cover (China)
Condenser Electrical Kit	
1	24 Volt With PM Motors
2	24 Volt Brushless Motors
Condenser Refrigerant Kit	
1	100 Series units
2	Fitted With Service Valves And Check Valve
3	With No Service Valves, Fitted With Check Valve
4	Fitted With Service Valves And No Check Valve
Evaporator Frame Kit	
1	100 Series 20% Air Exchange or BlankOff
2	100 Series 100% Air Exchange
3	100 Series Customer Preset 100% Fresh Air
4	100 Series Customer Preset 20% Fresh Air
5	101 Series, 100% Fresh Air
6	101 Series, 100% Fresh With ESS Modified
7	101 Series, 100% Fresh With Spoiler Brackets
8	101 Series, 20% Fresh With Spoiler Brackets, CR
9	101 Series, 20% Fresh With Spoiler Brackets, CF
10	101 Series, 20% Fresh Air
Evaporator Electrical Kit	
1	24 Volt With PM Motors
2	24 Volt Brushless Motors
3	24 Volt Brushless Motors, W/PAC
4	24 Volt With PM Motors, W/PAC
Air Exchange	
1	None
2	0 & 20 %
3	Customer Preset
4	0% / 100% (101Series)

	DESCRIPTION
Evaporator Skins Kit	
1	Standard Cover
2	Standard Cover (China)
3	180 Inch Radius Cover
4	Standard Covers, Evaporator Only With End Cap
5	Standard Covers, Evaporator Only With End Cap - Grey
6	Standard Covers, Evaporator Only - Safety
7	Standard Covers, Evaporator Only - Safety - Grey
Evaporator Refrigeration Kit	
1	100 Series, Curb Side with Heat
2	100 Series, Road Side with Heat
3	100 Series, Curb Side with Heat
4	100 Series, Curb Side with Heat
5	100 Series, Road Side with Heat
6	101 Series, C.R. with Heat
7	101 Series, C.F. with Heat
8	101 Series, C.F. without Heat
9	101 Series, C.F. with Heat - ESS Module
9A	101 Series, C.F. with Heat - ESS Module with RAS
10	101 Series, C.R. W/heat only - Evap Only
11	101 Series, C.F. W/heat only - Evap Only
Controller	
1	05G Micromax Bilimo
2	Micromax With GR60 Relay Board
3	Heat Only - Multiplex C.R.
4	05G Micromax Belimo - No Transducers
5	Heat Only - Multiplex C.F.
6	05G Micromax Can +/-
7	05G Micromax Can +/- & Slave Signals



Table 1-2 Option Table - 100 Series

MODEL 68RF353	PID Condenser RF353C	PID Evaporator RF353E	Condenser Skins Kit	Condenser Electrical Kit	Condenser Refrigerant Kit	Evaporator Frame	Evaporator Electrical Kit	Evaporator Refrigeration Kit	Air Exchange Kit	Controller Kit
-100	N/A	N/A	1	1	1	1	1	1	1	1
-100-1	N/A	N/A	1	1	1	1	1	1	2	1
-100-2	00006	00007	1	1	1	2	1	2	3	1
-100-3	00008	00009	1	1	1	1	1	2	2	1
-100-4	00010	00011	1	1	1	1	1	2	1	1
-100-5	00012	00013	1	1	1	2	1	3	3	1
-100-6	00014	00015	1	1	1	1	1	3	2	1
-100-7	00016	00017	1	1	1	1	1	3	1	1
-100-8	00018	00019	1	1	1	2	1	1	3	1
-100-9	00020	00048	1	1	1	4	1	5	4	1
-100-10	00022	00023	1	1	1	1	1	2	1	1
-100-11	00024	00025	1	1	1	2	1	3	3	1
-100-12	00026	00050	1	1	1	4	1	4	2	1
-100-13	00028	00029	1	1	1	1	1	3	1	1
-100-14	00038	00039	1	1	1	3	1	4	4	1

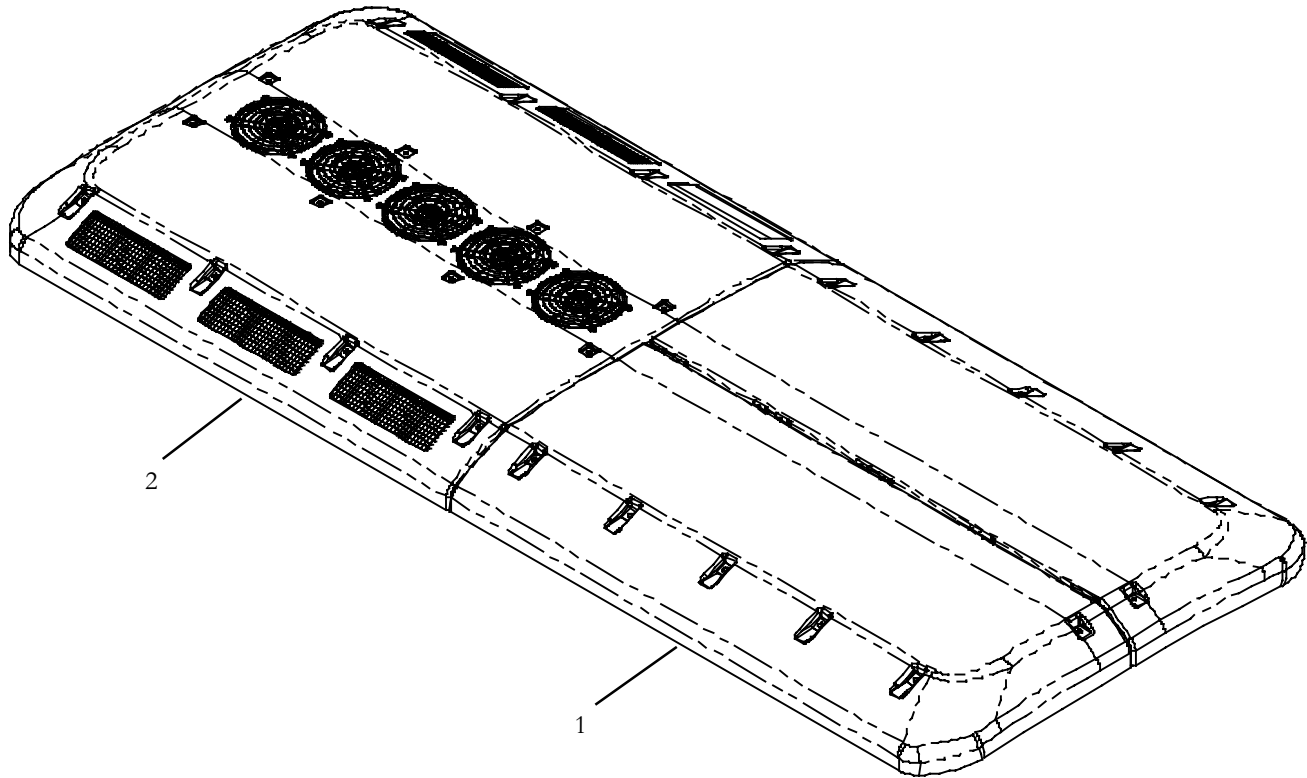


Table 1-3 Option Table - 101 Series

MODEL 68RF353	PID Condenser RF353C	PID Evaporator RF353E	Condenser Skins Kit	Condenser Electrical Kit	Condenser Refrigeration Kit	Evaporator Frame	Evaporator Skins Kit	Evaporator Electrical Kit	Evaporator Refrigeration Kit	Evaporator Controller Kit
-101	00053	00054	3	1	3	5	2	1	7	1
-101-1	00055	00056	3	1	3	5	2	1	6	1
-101-2	00057	00058	3	1	2	5	2	1	6	1
-101-3	00059	00060	2	1	3	5	3	1	7	1
-101-4	00067	00068	3	1	3	5	2	1	8	1
-101-5	00069	00070	3	1	3	5	2	1	7	2
-101-6	00071	00072	3	1	4	5	2	1	6	1
-101-7	00097	00098	3	1	4	6	2	1	9	1
-101-8	00113	00114	3	2	4	5	2	2	6	6
-101-9	00115	00116	3	2	4	6	2	2	9	1
101-10	-	00117	-	-	-	7	4	1	10	1
101-11	-	00118	-	-	-	7	4	2	10	1
101-12	-	00119	-	-	-	8	5	2	10	3
101-13	-	00120	-	-	-	9	6	2	11	4
101-14	-	00121	-	-	-	9	6	2	11	5
101-15	-	00122	-	-	-	9	7	2	11	4
101-16	-	00123	-	-	-	9	7	2	11	5
101-17	00116	00124	3	2	4	5	2	2	6	1
101-18	-	00125	-	-	-	9	6	4	11	5
101-19	00117	00126	2	2	4	10	2	3	9A	7



1 68RF353 ROOFTOP BUS AIR CONDITIONING SYSTEM

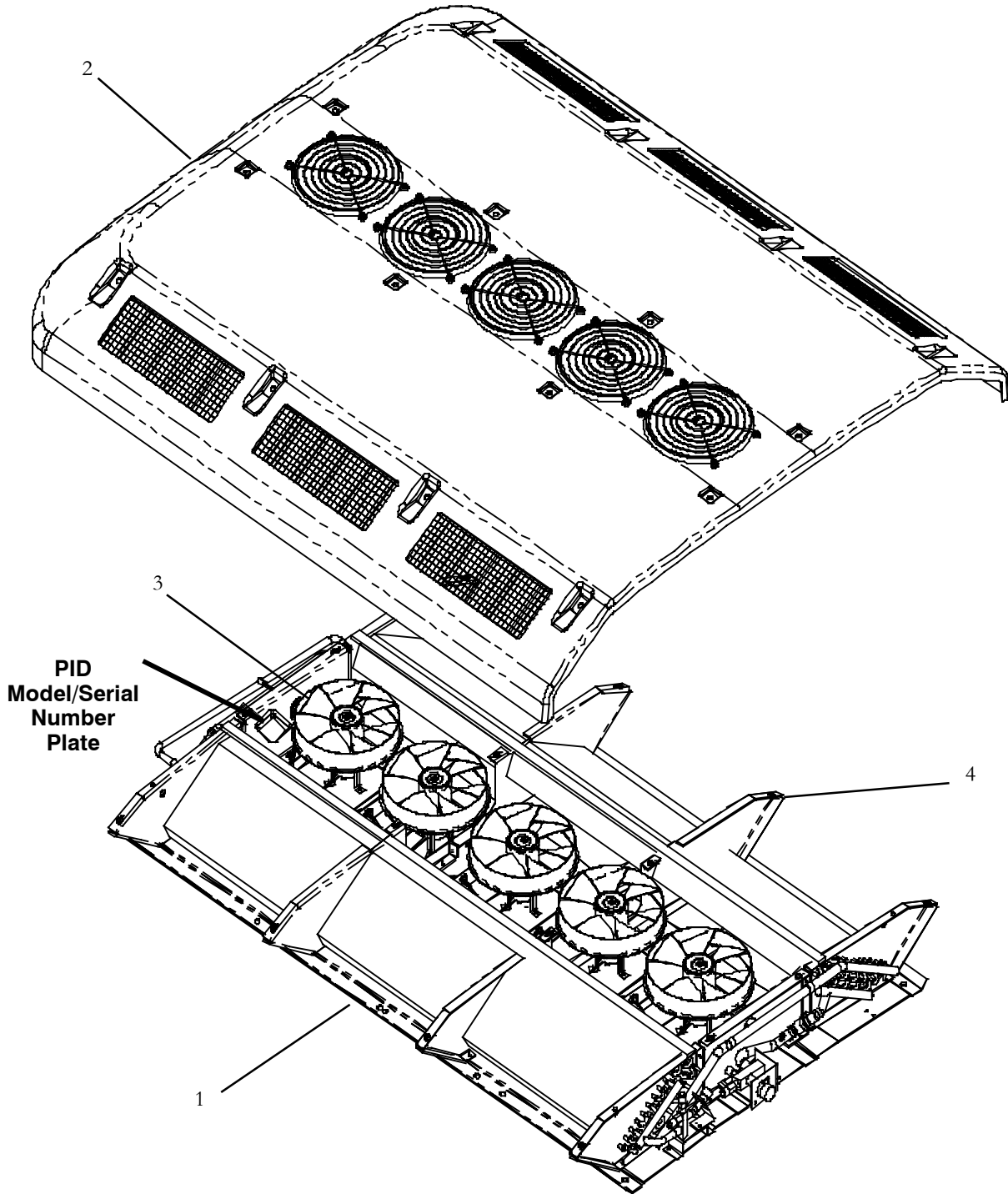


NOTE: Unit may be mounted with condenser or evaporator section toward the front of the vehicle.
C.R - Condenser to **R**ear or **C.F** - Condenser to **F**ront (Standard is C.F. - Condenser to Front)

Item	Part Number	Description	Qty
1	-	Evaporator Assembly	-
2	-	Condenser Assembly	-



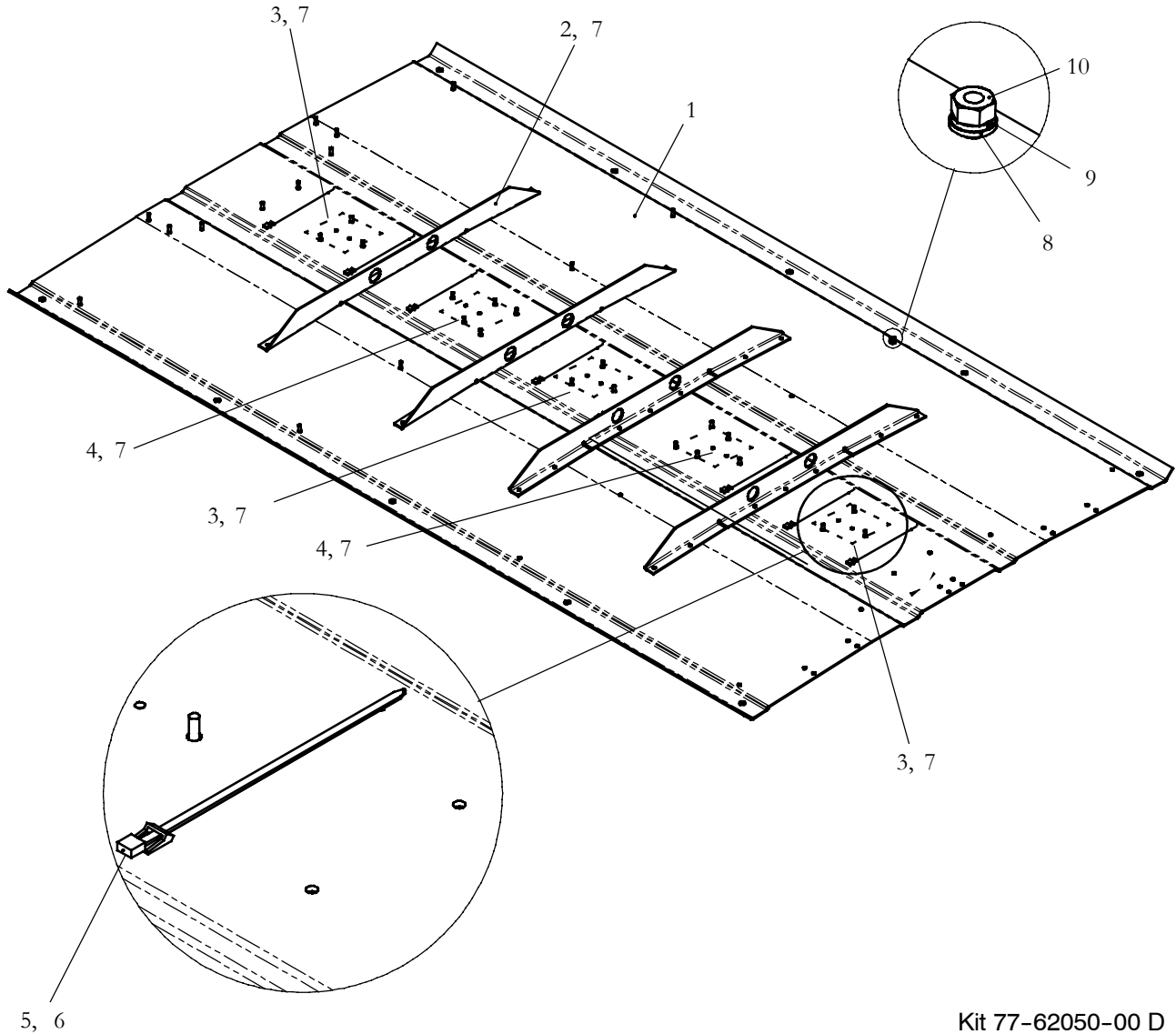
2 CONDENSER ASSEMBLY - LOCATIONAL VIEW



Item	Description
1	Condenser Frame Kit (See Section 3)
2	Condenser Skins (Cover) Kit (See Section 4)
3	Condenser Electrical Kit (See Section 5)
4	Condenser Refrigeration Kit (See Section 6)
5	Condenser Decal Kits (See Section 7)



3 CONDENSER - FRAME KIT



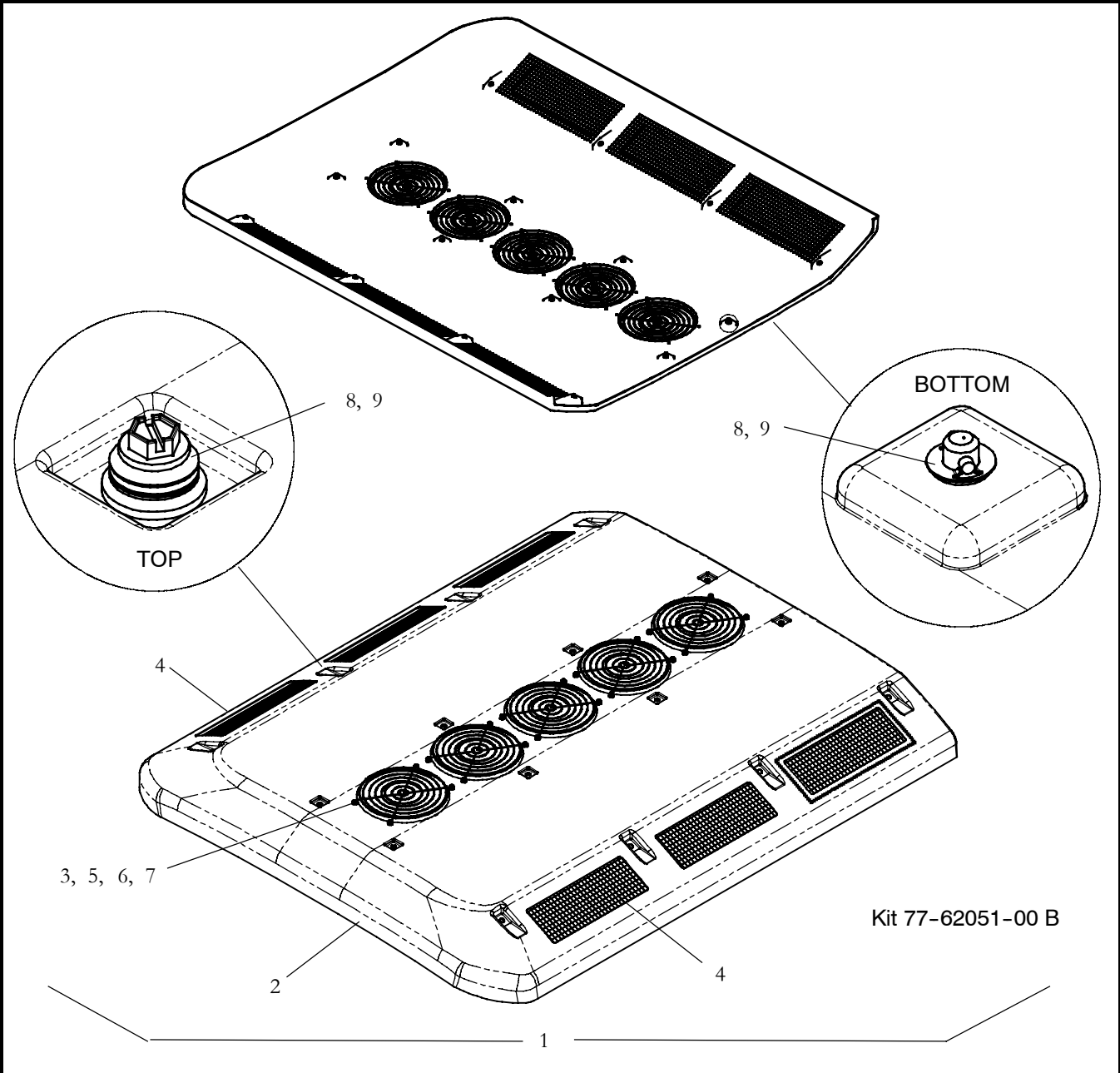
Kit 77-62050-00 D

Item	Part Number	Description	Qty
1	68-62763-00	Plate Assembly, Condenser Base	1
2	68-62768-00	Bracket, Support, Condenser Base	4
3	68-62765-00	Plate Assembly, Mounting, Condenser (On Back Side)	3
4	68-62764-00	Plate Assembly, Mounting, Condenser (On Back Side)	2
5	58-04507-00	Holder, Sta-Strap	8
6	66U1-3882	Sta-Strap, 0-1.75 Inch Diameter Cable	8
7	34-62021-00	Rivet, Blind, Dome Head, 3/16 Diameter, Grip Range: .126 - .250	46
8	34-00944-06	Washer, Flat, M6, Steel	49
9	34-00945-06	Washer, Split Lock, M6, Spring	49
10	34-00946-06	Nut, Hex, M6 X 1.00, SST	49



4 CONDENSER COVER - SKINS KIT

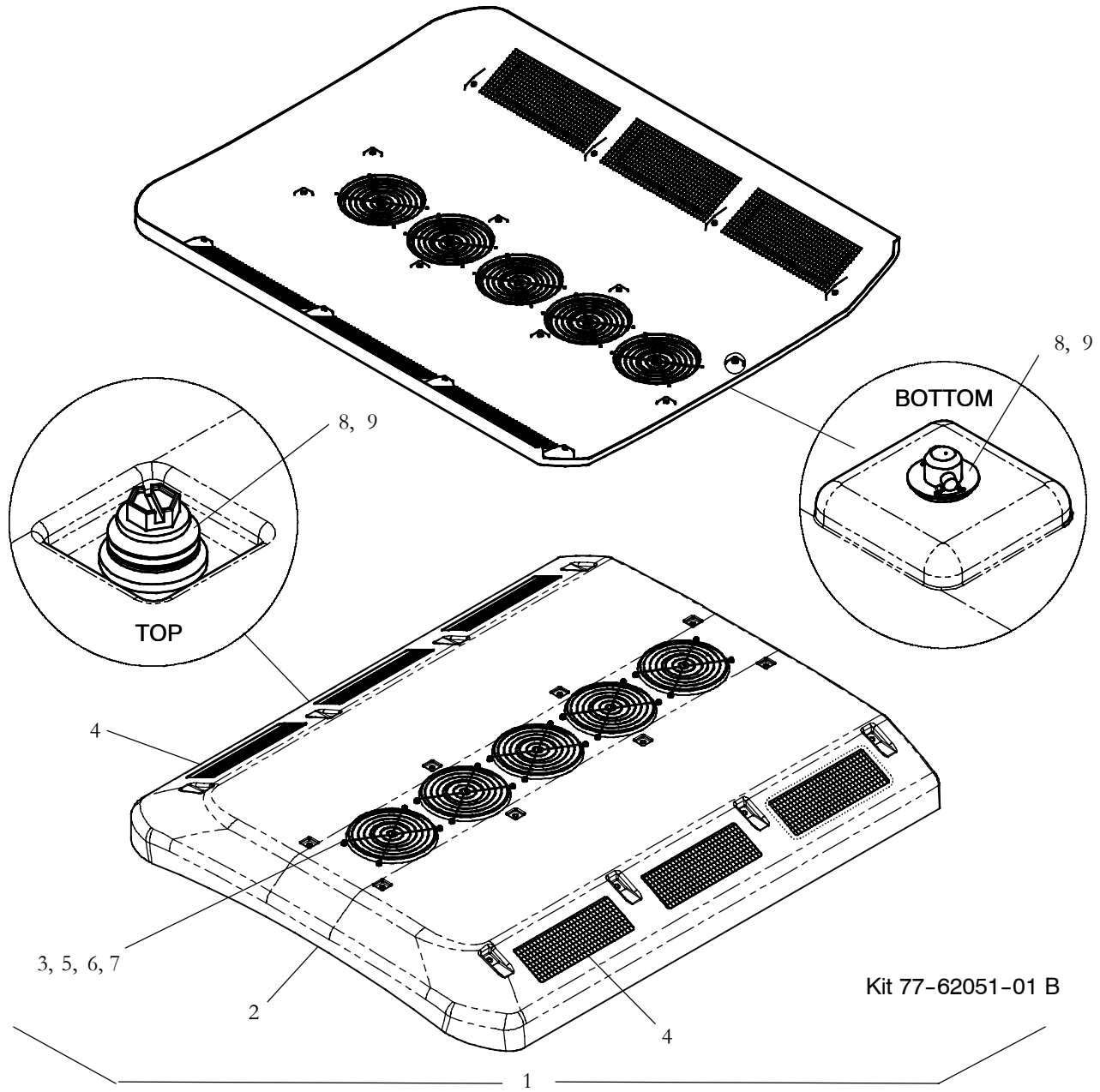
4.1 Condenser - Skins Kit, Standard Cover - 100 & 101 Series - Option 1



Item	Part Number	Description	Qty
1	58-62068-00	Cover Assembly, Condenser, Standard - Includes:	1
2	NSS	Cover, Condenser, Standard	1
3	AC030-234	Grille, Circular, Condenser	5
4	73-62004-00	Grille, Rectangular, Condenser	6
5	34-62021-03	Rivet, Blind, Dome Head, 3/16 Inch Dia.	20
6	58-00836-04	Spacer, Nylon, 5/8 OD X 1/4 Inch Long	20
7	34-00662-09	Washer, Plain, #10, SST	20
8	32-24-01-013	Stud, Captive, 1/4 Turn, With Disc & Flat Washers	16
9	32-24-01-016	Washer, Retaining, Steel	16



4.2 Condenser - Skins Kit, 180 Inch Radius Cover, 101 Series - Option 2

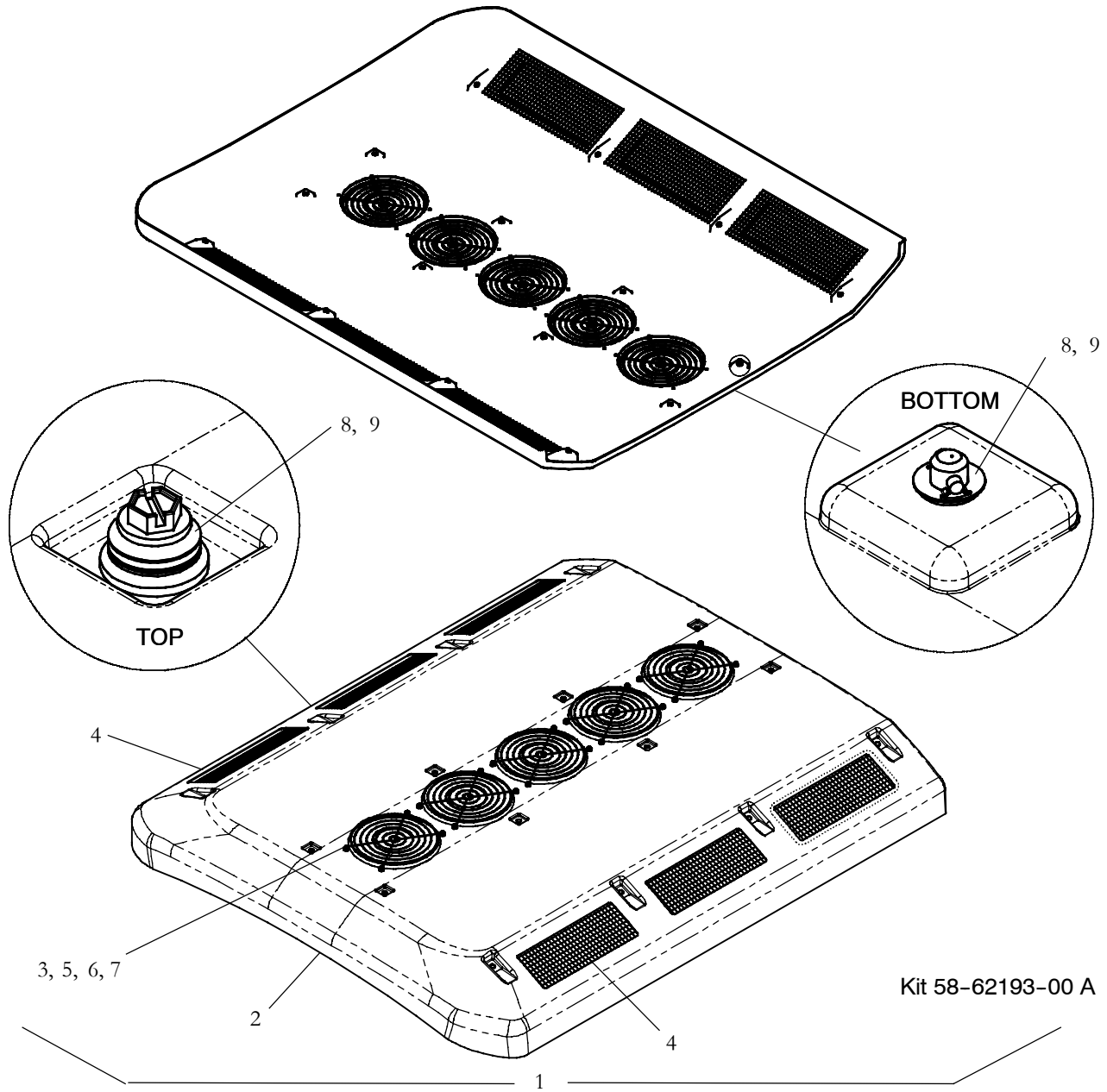


Kit 77-62051-01 B

Item	Part Number	Description	Qty
1	58-62148-00	Cover Assembly, Condenser, 180 Inch Radius - Includes:	1
2	NSS	Cover, Condenser, 180 Inches Radius	1
3	AC030-234	Grille, Circular, Condenser	5
4	73-62004-00	Grille, Rectangular, Condenser	6
5	34-62021-03	Rivet, Blind, Dome Head, 3/16 Inch Dia.	20
6	58-00836-04	Spacer, Nylon, 5/8 OD X 1/4 Inch Long	20
7	34-00662-09	Washer, Plain, #10, SST	20
8	32-24-01-013	Stud, Captive, 1/4 Turn, With Disc & Flat Washers	16
9	32-24-01-016	Washer, Retaining, Steel	16



4.3 Condenser - Skins Kit, 180 Inch Radius Cover, 101 Series - Option 3 - (Jan. 2008)



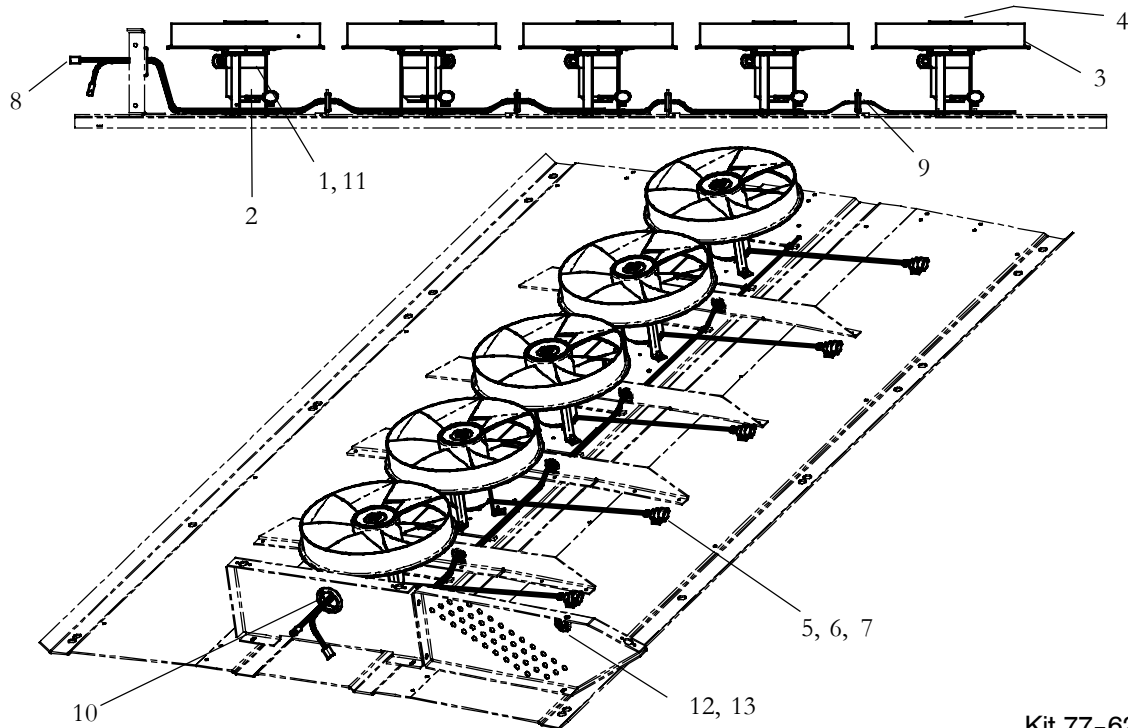
Kit 58-62193-00 A

Item	Part Number	Description	Qty
1	58-62193-00	Cover Assembly, Condenser, 180 Inch Radius - Includes:	1
2	NSS	Cover Assembly, Condenser, 180 Inch Radius	1
3	73-62009-00	Grille, Circular, Condenser	5
4	73-62004-00	Grille, Rectangular, Condenser	6
5	34-62021-01	Rivet, Blind, Dome Head, 3/16 Inch Dia.	20
6	02-00067-00	Sealant, Adhesive Caulk, White, 20 Ounce Tube	1
7	34-00662-09	Washer, Plain, #10, SST	20
8	32-24-01-013	Stud, Captive, 1/4 Turn, With Disc & Flat Washers	16
9	32-24-01-016	Washer, Retaining, Steel	16
10	42-00221-23	Gasket, Foam, .38 Thick x 1.19 Wide x 70.87 Inches Long, PSA Black	2



5 CONDENSER - ELECTRICAL KITS

5.1 Condenser - Electrical Kit - Option 1



Kit 77-62052-00 G

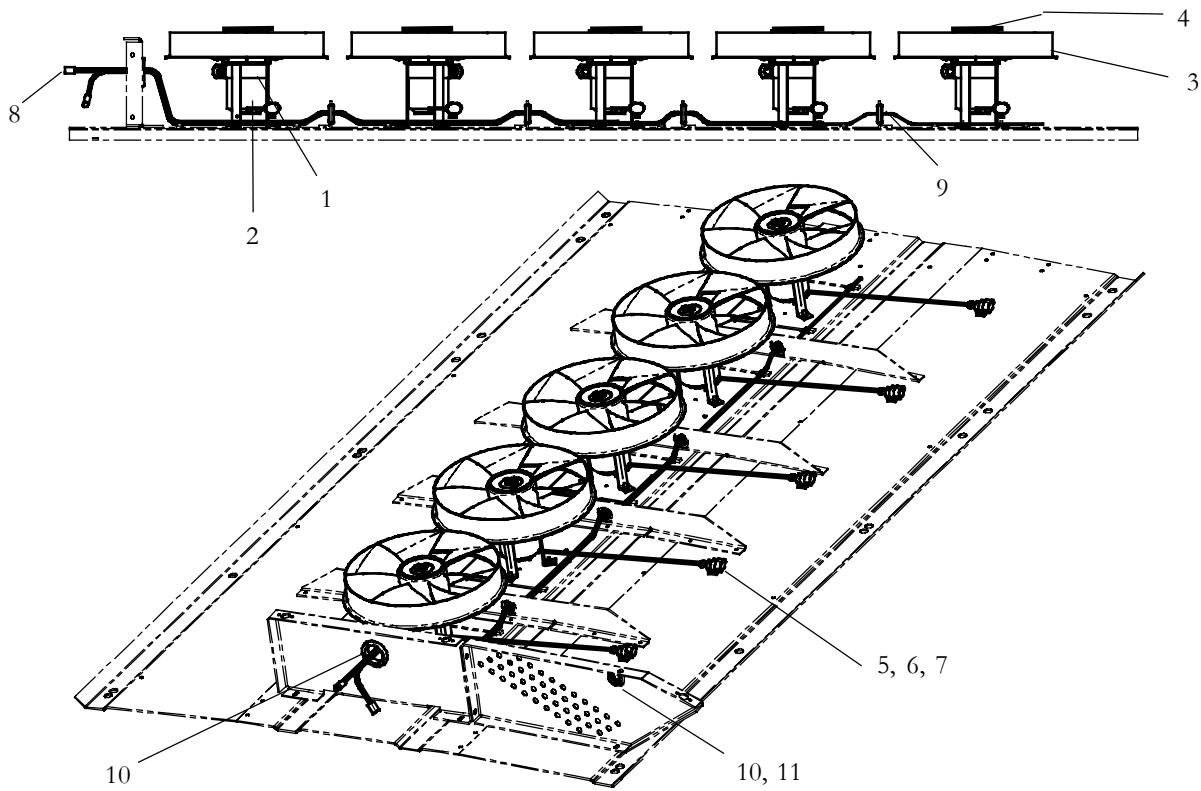
Item	Part Number	Description	Qty
1	54-00583-00	Motor, Fan, Condenser, 24 VDC, PM	5
2	86-62216-01	Mount Assembly, Motor, Condenser Fan, 3 Inch Dia. - Includes:	5
	34-00944-08	Washer, Plain, M8	1
	34-00945-08	Washer, Split Lock, M8	1
	34-01241-30	Screw, Cap, Hex Head, M8 X 30 MM Long, GR 10.9	1
3	38-00566-00	Fan, Condenser, 7 Blade	5
4	34-62017-00	Clip, Retainer, Condenser Fan	5
5	22-01585-00	Connector, Male, 2 Cavity, Black	5
6	22-02393-01	Terminal, Male, (18-20 AWG)	10
7	22-02394-01	Seal, Cable, Blue	10
N/S	02-62001-00	Sealant, Caulking, Black, (10.3 Ounce Tube)	1
8	22-62173-00	Wire Harness, Condenser, (RF353) Includes:	1
	22-01585-03	Connector, Male, 6 Pin, Black (C4)	1
	22-02392-02	Connector, Female, 6 Pin, Black (C5)	1
	22-02392-00	Connector, 2 Pin, Black, (CM1 - CM5)	5
	22-02393-00	Terminal, Male (14-16 AWG) (CTM-1)	5
	22-01566-00	Terminal, Female (14-16 AWG) (CTF-1)	15
	22-02394-00	Seal, Cable, Gray (.11 - .14 Cable OD)	20
9	58-00065-51	Grommet, .88 ID X 1.25 Hole X .12 Groove	4
10	58-00065-52	Grommet, 1.50 ID X 1.75 Hole X .12 Groove	1
11	66U1-3882	Sta-Strap, 0-1.75 Inch Dia. Cable	10
12	58-00915-00	Grommet, 0.50 ID X 0.75 Hole X .12 Groove	1



5.1 Condenser - Electrical Kit - Option 1 (Continued)			
Item	Part Number	Description	Qty
13	12-00305-07	Temperature Sensor Assembly, Includes:	1
	22-02392-00SV	Connector Kit, 2 Pin, Includes:	1
	NSS	Connector, Male, 2 Pin, Black	1
	22-02393-01	Terminal, Male, (18-20AWG)	2
	22-02394-01	Seal, Cable, Blue	2



5.2 Condenser - Electrical Kit - Option 2



Kit 77-62052-01 A

Item	Part Number	Description	Qty
1	54-00626-00	Fan & Motor Assembly, Cond., 24VDC, 2 Speed, Brushless - Includes:	5
	54-00626-50	Motor, Fan, Condenser, 24VDC, Brushless	1
	22-01585-00	Connector, Male, 2 Cavity, Black	1
	22-50078-63	Connector, Female, 1 Cavity, Black	1
	22-02393-00	Terminal, Male, (14-16 AWG)	3
	22-02394-02	Seal, Cable, Green	2
	22-50078-51E	Seal, Cable, Tan	1
2	86-62216-01	Mount Assembly, Motor, Condenser Fan, 3 Inch Dia. - Includes:	5
	34-00944-08	Washer, Plain, M8	1
	34-00945-08	Washer, Split Lock, M8	1
	34-01241-30	Screw, Cap, Hex Head, M8 X 30 MM Long, GR 10.9	1
3	22-01585-00	Connector, Male, 2 Cavity, Black	5
4	22-02393-01	Terminal, Male, (18-20 AWG)	10
5	22-02394-01	Seal, Cable, Blue	10
N/S	02-62001-00	Sealant, Caulking, Black, (10.3 Ounce Tube)	1
6	22-62173-00	Wire Harness, Condenser, (RF353) Includes:	1
	22-01585-03	Connector, Male, 6 Pin, Black (C4)	1
	22-02392-02	Connector, Female, 6 Pin, Black (C5)	1
	22-02392-00	Connector, 2 Pin, Black, (CM1 - CM5)	5
	22-02393-00	Terminal, Male (14-16 AWG) (CTM-1)	5
	22-01566-00	Terminal, Female (14-16 AWG) (CTF-1)	15
	22-02394-00	Seal, Cable, Gray (.11 - .14 Cable OD)	20

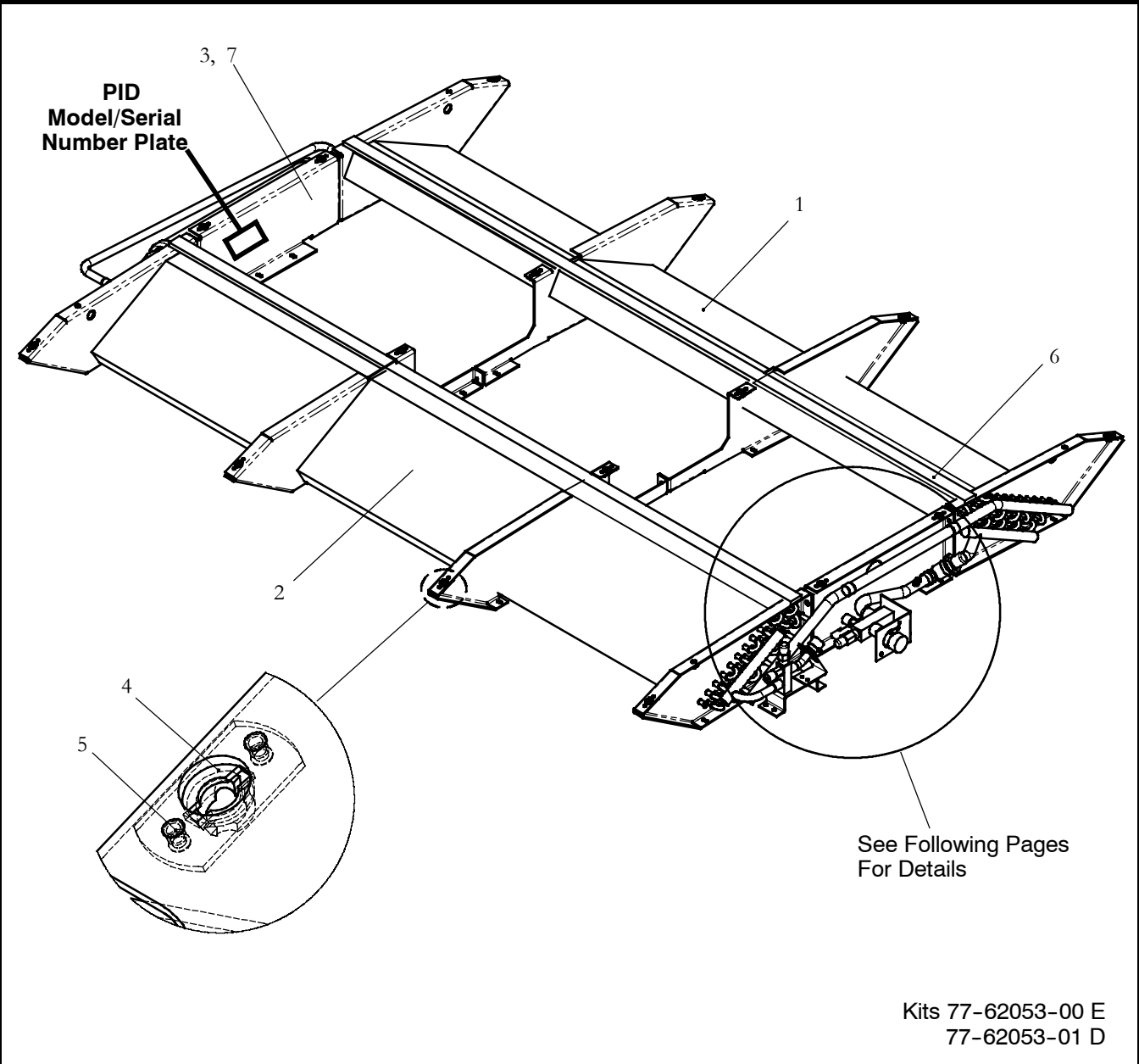


5.2 Condenser - Electrical Kit - Option 2 (Continued)			
Item	Part Number	Description	Qty
7	58-00065-51	Grommet, .88 ID X 1.25 Hole X .12 Groove	4
8	58-00065-52	Grommet, 1.50 ID X 1.75 Hole X .12 Groove	1
9	66U1-3882	Sta-Strap, 0-1.75 Inch Dia. Cable	10
10	58-00915-00	Grommet, 0.50 ID X 0.75 Hole X .12 Groove	1
11	12-00305-07	Temperature Sensor Assembly, Includes:	1
	22-02392-00SV	Connector Kit, 2 Pin, Includes:	1
	NSS	Connector, Male, 2 Pin, Black	1
	22-02393-01	Terminal, Male, (18-20AWG)	2
	22-02394-01	Seal, Cable, Blue	2



6 CONDENSER - REFRIGERANT KIT

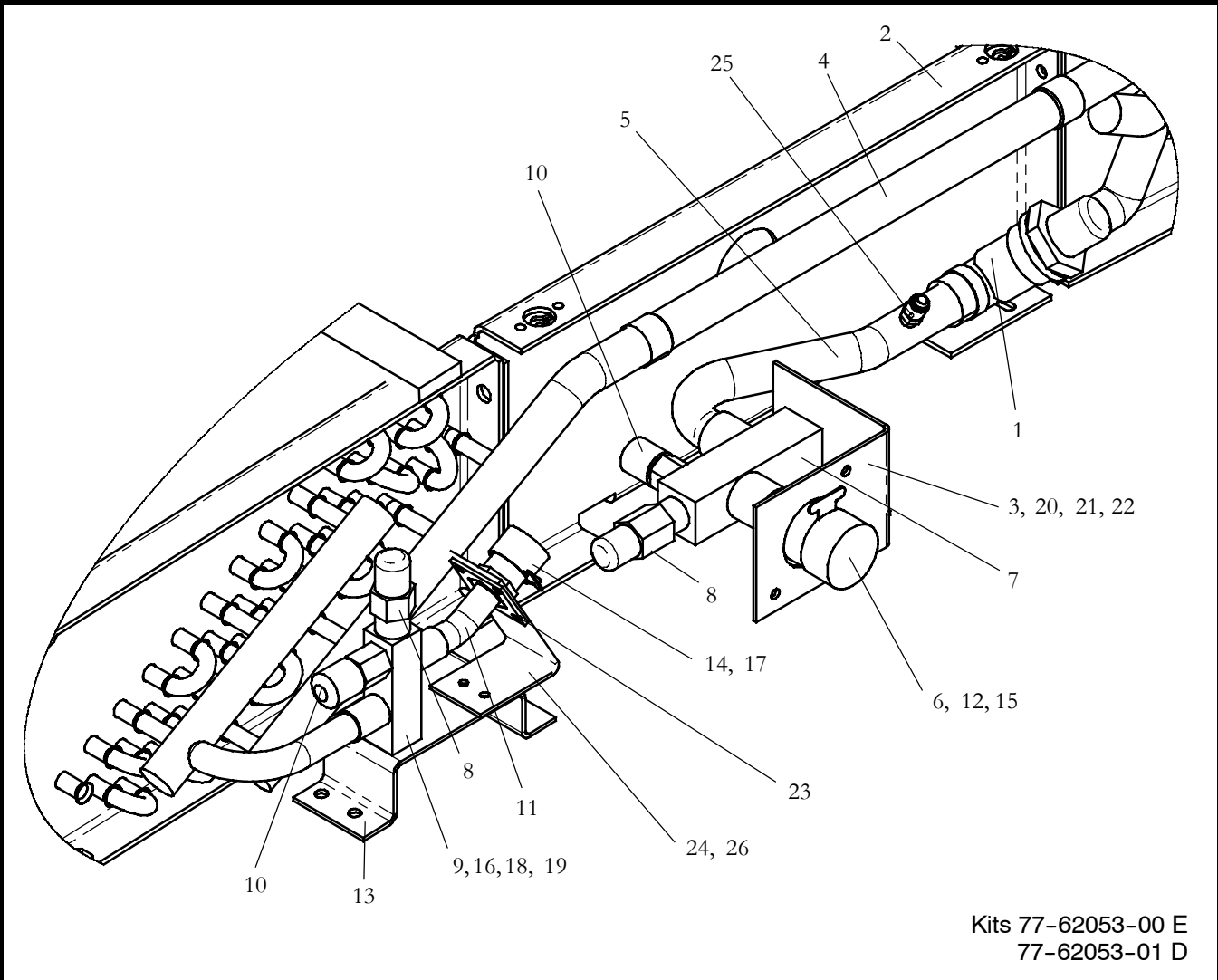
6.1 Condenser - Refrigerant Kit, 100 Series - Option 1



Item	Part Number	Description	Qty
1	08-00248-00	Coil Assembly, Condenser, Left Side	1
2	08-00251-00	Coil Assembly, Condenser, Right Side	1
3	34-01266-20	Screw, Hex Head, SEMS M6 X 20 MM Slotted	8
4	34-62016-00	Receptacle, Locking Plate	16
5	34-00928-09	Rivet, Blind, .156 Dia. SST, (Grip Range: .126-.250)	32
6	AC801-403	Gasket, Foam, 1-1/4 x 1-1/4 (25 Feet)	1
7	68-62791-01	Bracket, Coil, (Without Hole)	1



6.1 Condenser - Refrigerant Kit, 100 Series - Option 1 (Continued)



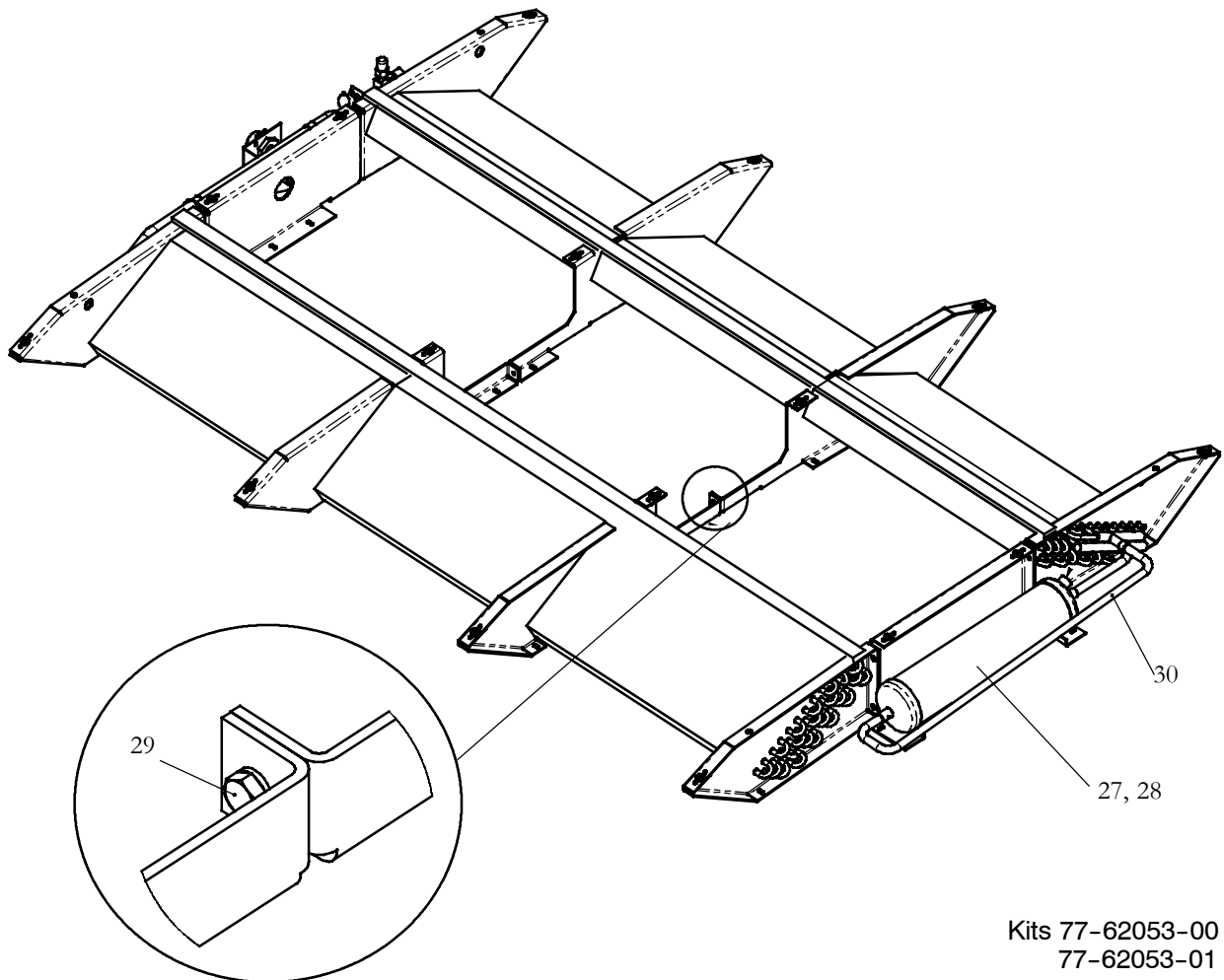
Kits 77-62053-00 E
77-62053-01 D

Item	Part Number	Description	Qty
1	14-00281-04	Valve, Check, 7/8 ODF	1
N/S	14-50050-01	Repair Kit, Check Valve	1
2	68-62791-00	Bracket, Coil, (With 1.88 Hole)	1
3	68-62818-00	Bracket Assembly, Support, Shutoff Valve	1
4	56-62192-00	Tube, Straight, 7/8 ODF X .045 Copper	1
5	56-62193-00	Tube, Bent, Discharge, 7/8 ODF X .045 Copper	1
6	56-00145-25	Tube, Straight, 7/8 ODF X .045 Copper X 2 inches Long	1
7	40-00501-04	Valve, King, Brass, 7/8 ODF - Includes:	1
8	40-00501-50	Cap, King Valve, Service Part	1
9	40-00501-03	Valve, King, Brass, 5/8 ODF - Includes:	1
8	40-00501-50	Cap, King Valve, Service Part	1
10	40-00520-01	Coupling, High Pressure Side, With Cap	2
11	56-62205-00	Tube, Bent, Liquid, 5/8 ODF X .040 Copper	1
12	40-00491-00	Fitting, ORS, 7/8 X 1-7/16-12	1
13	68-62819-00	Bracket, Support, Shutoff Valve	1
14	40-62032-01	Fitting, Swivel Nut, 5/8 X 7/8-14 M.I.O.	1



6.1 Condenser - Refrigerant Kit, 100 Series - Option 1 (Continued)

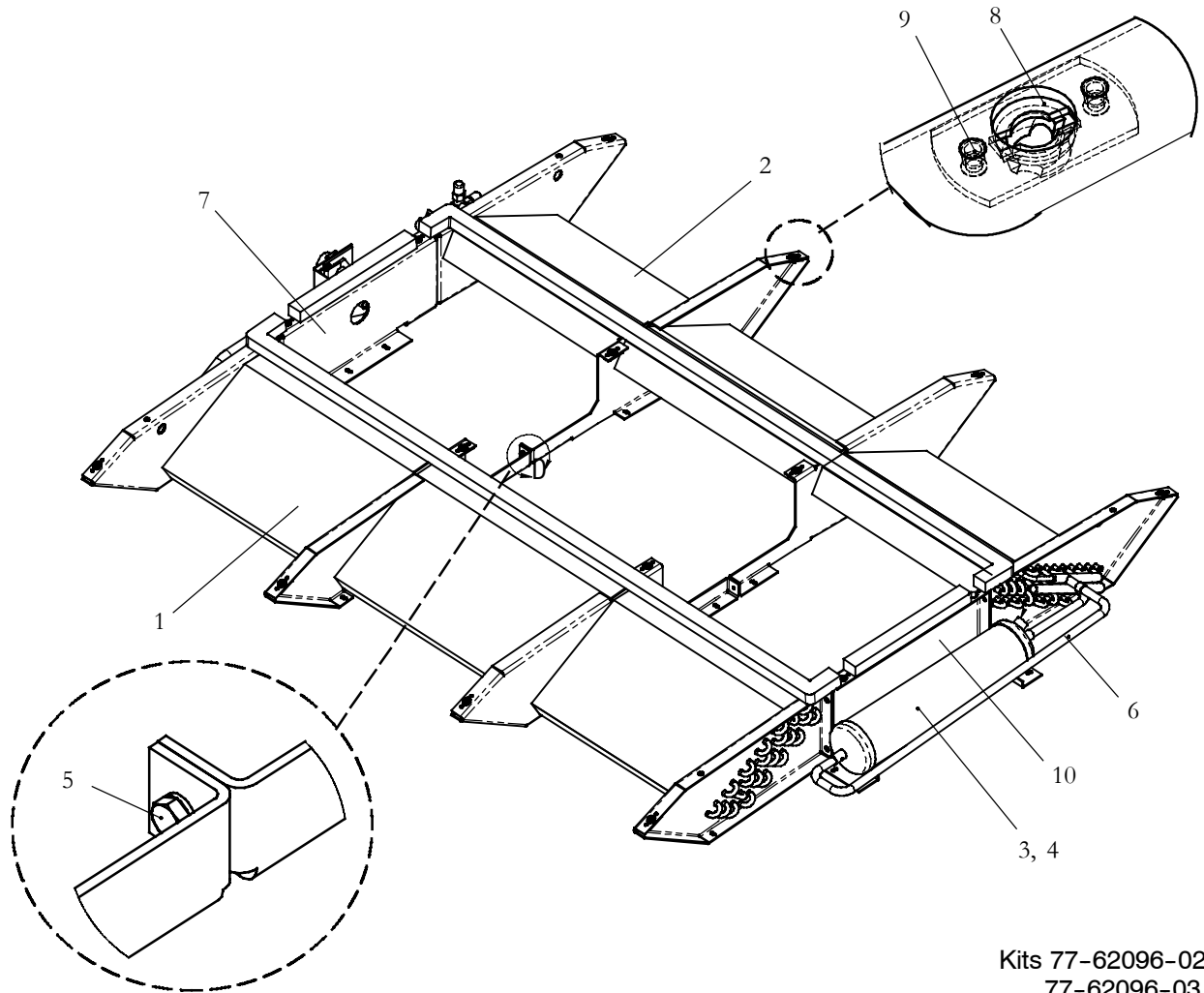
Item	Part Number	Description	Qty
15	42-00243-00	O-Ring, ORS-10, .921 ID X .139 Thick	1
16	34-00303-04	Screw, Cap, Hex Head, 5/16-24 X 1/2 Inch Long	1
17	58-62025-03	Hose Assembly, Liquid, 5/8 F.O.R.	1
18	34-00588-12	Washer, Plain, 5/16, SAE	1
19	34-00368-12	Washer, Lock, Split, 5/16, Steel	1
20	34-00305-04	Screw, Cap, Hex Head, 3/8-24 X 1/2 Inch Long	1
21	34-00588-13	Washer, Plain, 3/8, SAE	1
22	34-00368-13	Washer, Lock, Split, 3/8, Steel	1
23	68-62492-02	Plate, Support, Liquid Hose, Brass	1
24	68-62861-00	Bracket Assembly, Support, Liquid Hose	1
25	40-01124-00	Body, Valve, Schrader, Brass, 1/4 SAE Flare, Includes:	1
	14-00351-00	Core, Valve, Schrader (Nickel Plated)	1
	DD19CA061	Cap, Seal, Flare, 1/4 Inch	1
26	34-62021-00	Rivet, Blind, Dome Head, 3/16 Dia., Grip Range: .126-.250	6
27	65-62001-00	Receiver, 4 Inch O.D.	1
28	14-01032-01	Plug, Fusible, 3/8 Inch MPT	1
29	34-01266-20	Screw, Hex Head, SEMS M6 X 20 MM Slotted	2
30	56-62194-00	Tube, Bent, Liquid, Receiver, 5/8 OD X .040 Copper	1



Kits 77-62053-00 E
77-62053-01 D



6.2 Condenser - Refrigerant Kit, 101 Series - Common Parts



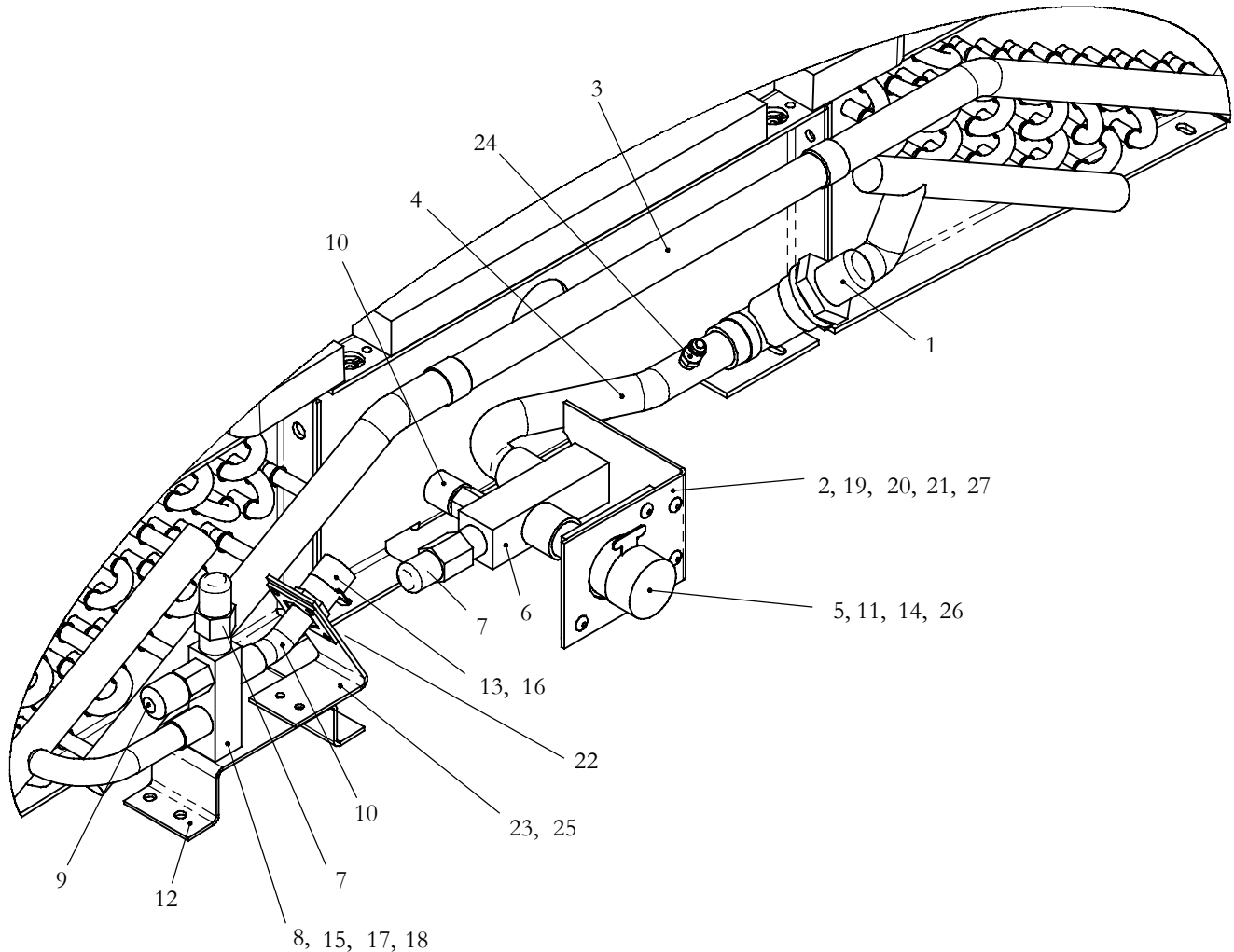
Kits 77-62096-02 J
77-62096-03 H
77-62096-04 J

Item	Part Number	Description	Qty
1	08-00248-00	Coil Assembly, Condenser, Left Side	1
2	08-00251-00	Coil Assembly, Condenser, Right Side	1
3	65-62001-00	Tank, Receiver, 4.00 O.D.	1
4	14-01032-01	Plug, Fusible, 3/8 Inch MPT	1
5	34-01266-20	Screw, Hex Head, SEMS M6 X 20 MM Slotted	10
6	56-62194-00	Tube, Bent, Liquid, Receiver, 5/8 OD X .040W Copper	1
7	68-62791-00	Bracket, Coil, (With 1.88 Diameter Hole)	1
8	34-62016-00	Receptacle, Locking Plate	16
9	34-00928-09	Rivet, Blind, .156 Dia. SST, (Grip Range: .126-.250)	32
10	68-62791-01	Bracket, Coil, (Without Hole)	1



6.2.1 Condenser - Refrigerant Kit, 101 Series - Option 2

NOTE: COMMON PARTS ARE LISTED IN SECTION 6.2



Kit 77-62096-02 J

Item	Part Number	Description	Qty
1	14-00281-04	Valve, Check, 7/8 ODF - Includes:	1
N/S	14-50050-01	Repair Kit, Check Valve	1
2	68-63390-00	Bracket Assembly, Support, Shutoff Valve	1
3	56-62192-00	Tube, Straight, 7/8 ODF X .045W Copper	1
4	56-62193-00	Tube, Bent, Discharge, 7/8 ODF X .045W Copper	1
5	56-00145-27	Tube, Straight, 7/8 ODF X .045 Copper X 2.25 inches Long	1
6	40-00501-04	Valve, King, Brass, 7/8 ODF - Includes:	1
7	40-00501-50	Cap, King Valve, Service Part	1
8	40-00501-03	Valve, King, Brass, 5/8 ODF - Includes:	1
7	40-00501-50	Cap, King Valve, Service Part	1
9	40-00520-01	Coupling, High Pressure Side, With Cap	2
10	56-62205-00	Tube, Bent, Liquid, 5/8 ODF X .040W Copper	1
11	40-00491-00	Fitting, ORS, 7/8 X 1-7/16-12	1
12	68-62819-00	Bracket, Support, Shutoff Valve	1
13	40-62032-01	Fitting, Swivel Nut, 5/8 X 7/8-14 M.I.O.	1

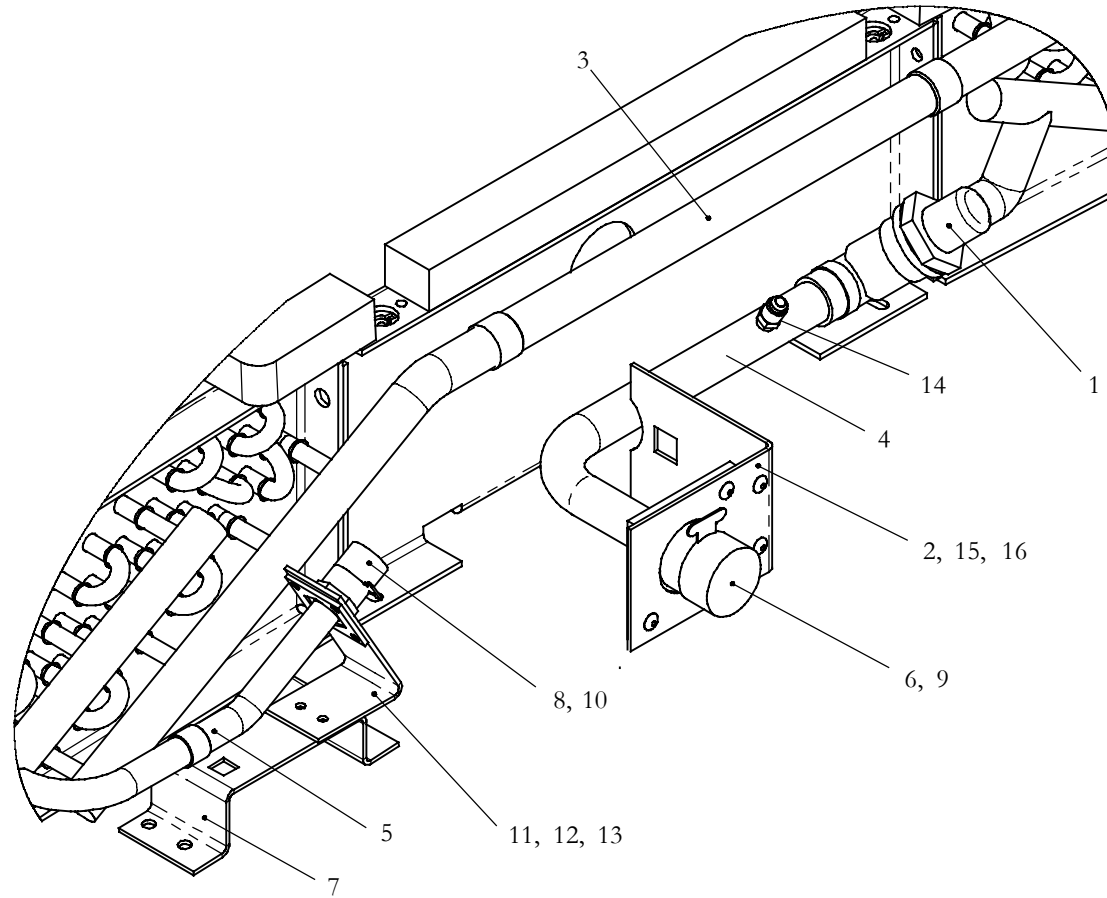


6.2.1 Condenser - Refrigerant Kit, 101 Series - Option 2 (continued)			
Item	Part Number	Description	Qty
14	42-00243-00	O-Ring, ORS-10, .921 ID X .139 Thick	1
15	34-00303-04	Screw, Cap, Hex Head, 5/16-24 X 1/2 Inch Long	1
16	58-62025-03	Hose Assembly, Liquid, 5/8 F.O.R.	1
17	34-00588-12	Washer, Plain, 5/16, SAE	1
18	34-00368-12	Washer, Lock, Split, 5/16, Steel	1
19	34-00305-04	Screw, Cap, Hex Head, 3/8-24 X 1/2 Inch Long	1
20	34-00588-13	Washer, Plain, 3/8, SAE	1
21	34-00368-13	Washer, Lock, Split, 3/8, Steel	1
22	68-62492-02	Plate, Support, Liquid Hose, Brass	1
23	68-62861-00	Bracket Assembly, Support, Liquid Hose	1
24	40-01124-00	Body, Valve, Schrader, Brass, 1/4 SAE Flare, Includes:	1
	14-00351-00	Core, Valve, Schrader (Nickel Plated)	1
	DD19CA061	Cap, Seal, Flare, 1/4 Inch	1
25	34-62021-00	Rivet, Blind, Dome Head, 3/16 Dia., Grip Range: .126-.250	10
26	68-63391-00	Plate, Retainer, ORS Fitting	1
27	68-63421-00	Bracket, Support, Tube, Shutoff Valve	1



6.2.2 Condenser - Refrigerant Kit, 101 Series - Option 3

NOTE: COMMON PARTS ARE LISTED IN SECTION 6.2



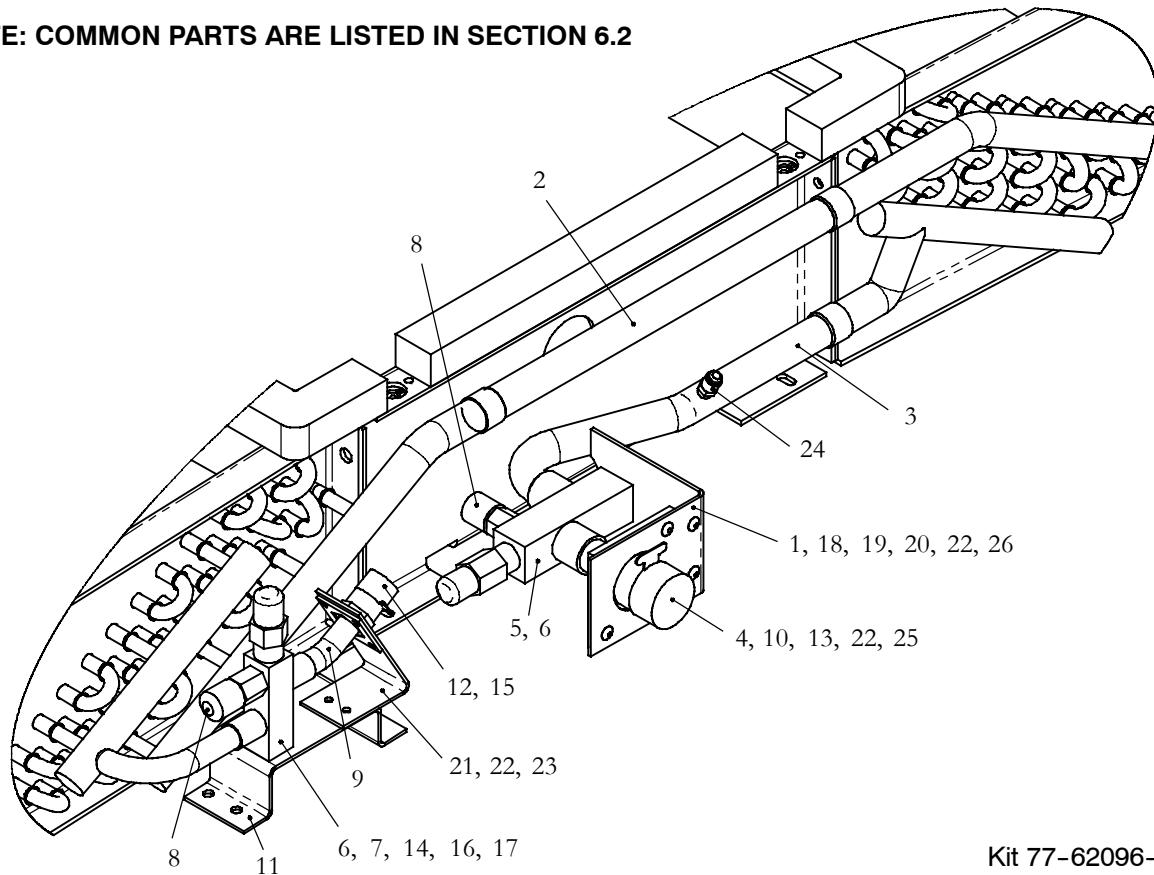
Kit 77-62096-03 H

Item	Part Number	Description	Qty
1	14-00281-04	Valve, Check, 7/8 ODF - Includes:	1
N/S	14-50050-01	Repair Kit, Check Valve	1
2	68-63390-00	Bracket Assembly, Support, Shutoff Valve	1
3	56-62192-00	Tube, Straight, 7/8 ODF X .045W Copper	1
4	56-62290-00	Tube, Bent, Discharge, 7/8 ODF X .045W Copper	1
5	56-62291-00	Tube, Bent, 5/8 OD X .040W Copper	1
6	40-00491-00	Fitting, ORS, 7/8 X 1-7/16-12	1
7	68-62819-00	Bracket, Support, Shutoff Valve	1
8	40-62032-01	Fitting, Swivel Nut, 5/8 X 7/8-14 M.I.O.	1
9	42-00243-00	O-Ring, ORS-10, .921 ID X .139 Thick	1
10	58-62025-03	Hose Assembly, Liquid, 5/8 F.O.R.	1
11	68-62492-02	Plate, Support, Liquid Hose, Brass	1
12	34-62021-00	Rivet, Blind, Dome Head, 3/16 Dia., Grip Range: .126-.250	10
13	68-62861-00	Bracket Assembly, Support, Liquid Hose	1
14	40-01124-00	Body, Valve, Schrader, Brass, 1/4 SAE Flare - Includes:	1
	14-00351-00	Core, Valve, Schrader (Nickel Plated)	1
	DD19CA061	Cap, Seal, Flare, 1/4 Inch	1
15	68-63391-00	Plate, Retainer, ORS Fitting	1
16	68-63421-00	Bracket, Support, Tube, Shutoff Valve	1



6.2.3 Condenser - Refrigerant Kit, 101 Series - Option 4

NOTE: COMMON PARTS ARE LISTED IN SECTION 6.2



Kit 77-62096-04 J

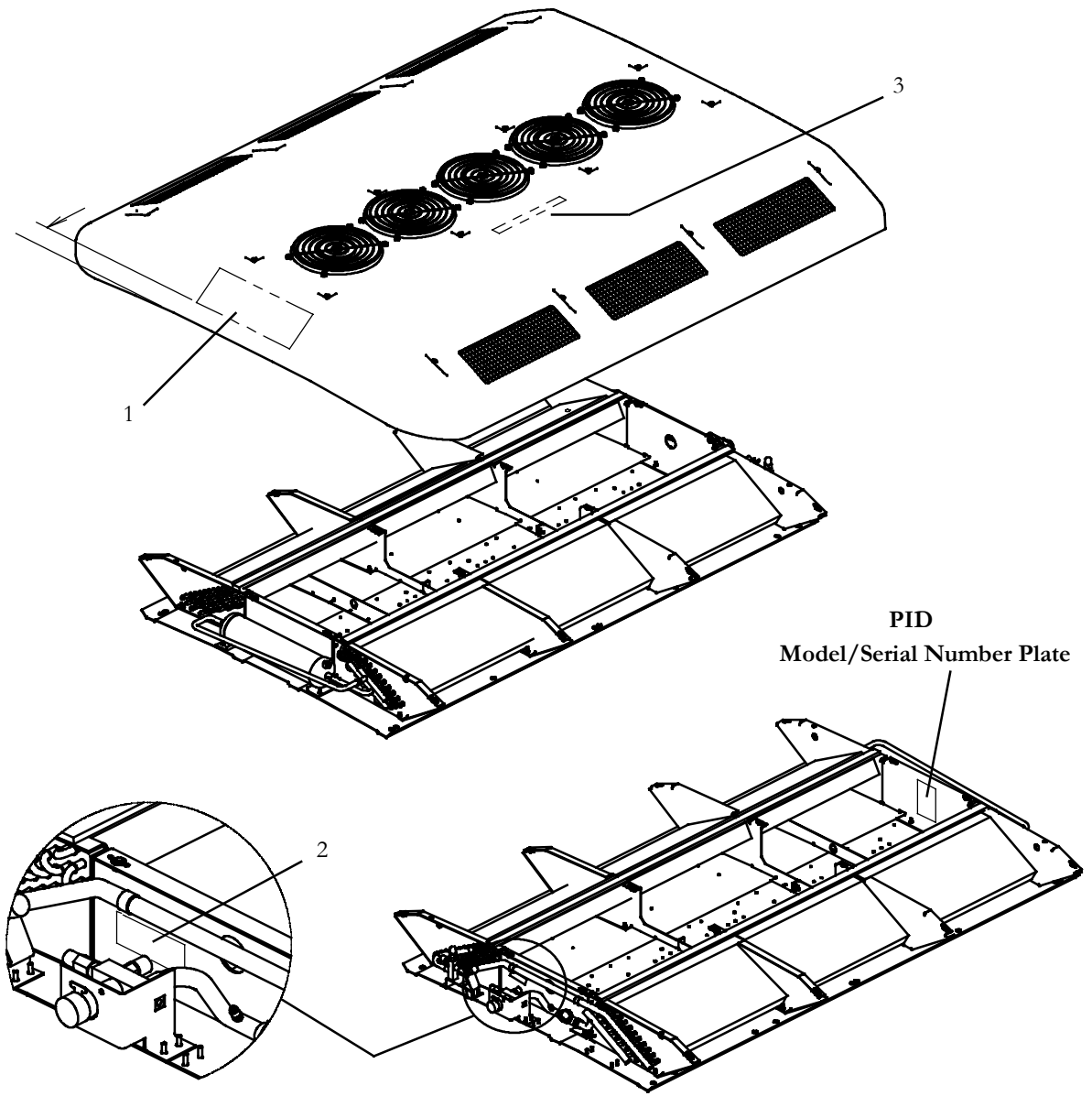
Item	Part Number	Description	Qty
1	68-63390-00	Bracket Assembly, Support, Shutoff Valve	1
2	56-62192-00	Tube, Straight, 7/8 ODF X .045W Copper	1
3	56-62296-00	Tube, Bent, Discharge, 7/8 ODF X .045W Copper	1
4	56-00145-27	Tube, Straight, 7/8 OD X .045W Copper X 2.50 Inches Long	1
5	40-00501-04	Valve, King, Brass, 7/8 ODF - Includes:	1
6	40-00501-50	Cap, King Valve, Service Part	1
7	40-00501-03	Valve, King, Brass, 5/8 ODF - Includes:	1
6	40-00501-50	Cap, King Valve, Service Part	1
8	40-00520-01	Coupling, High Pressure Side With Cap	2
9	56-62205-00	Tube, Bent, Liquid, 5/8 OD X .040W Copper	1
10	40-00491-00	Fitting, ORS, 7/8 X 1-7/16-12	1
11	68-62819-00	Bracket, Support, Shutoff Valve	1
12	40-62032-01	Fitting, Swivel Nut, 5/8 X 7/8-14 M.I.O.	1
13	42-00243-00	O-Ring, ORS-10, .921 ID X .139 Thick	1
14	34-00303-04	Screw, Cap, Hex Head, 5/16-24 X 1/2 Inch Long	1
15	58-62025-03	Hose Assembly, Liquid, 5/8 F.O.R.	1
16	34-00588-12	Washer, Plain, 5/16, SAE	1
17	34-00368-12	Washer, Lock, Split, 5/16, Steel	1
18	34-00305-04	Screw, Cap, Hex Head, 3/8-24 X 1/2 Inch Long	1
19	34-00588-13	Washer, Plain, 3/8, SAE	1
20	34-00368-13	Washer, Lock, Split, 3/8, Steel	1



6.2.3 Condenser - Refrigerant Kit, 101 Series - Option 4 (Continued)			
Item	Part Number	Description	Qty
21	68-62492-02	Plate, Support, Liquid Hose, Brass	1
22	34-62021-00	Rivet, Blind, Dome Head, 3/16 Dia., Grip Range: .126-.250	10
23	68-62861-00	Bracket Assembly, Support, Liquid Hose	1
24	40-01124-00	Body, Valve, Schrader, Brass, 1/4 SAE Flare, Includes:	1
	14-00351-00	Core, Valve, Schrader (Nickel Plated)	1
	DD19CA061	Cap, Seal, Flare, 1/4 Inch	1
25	68-63391-00	Plate, Retainer, ORS Fitting	1
26	68-63421-00	Bracket, Support, Tube, Shutoff Valve	1



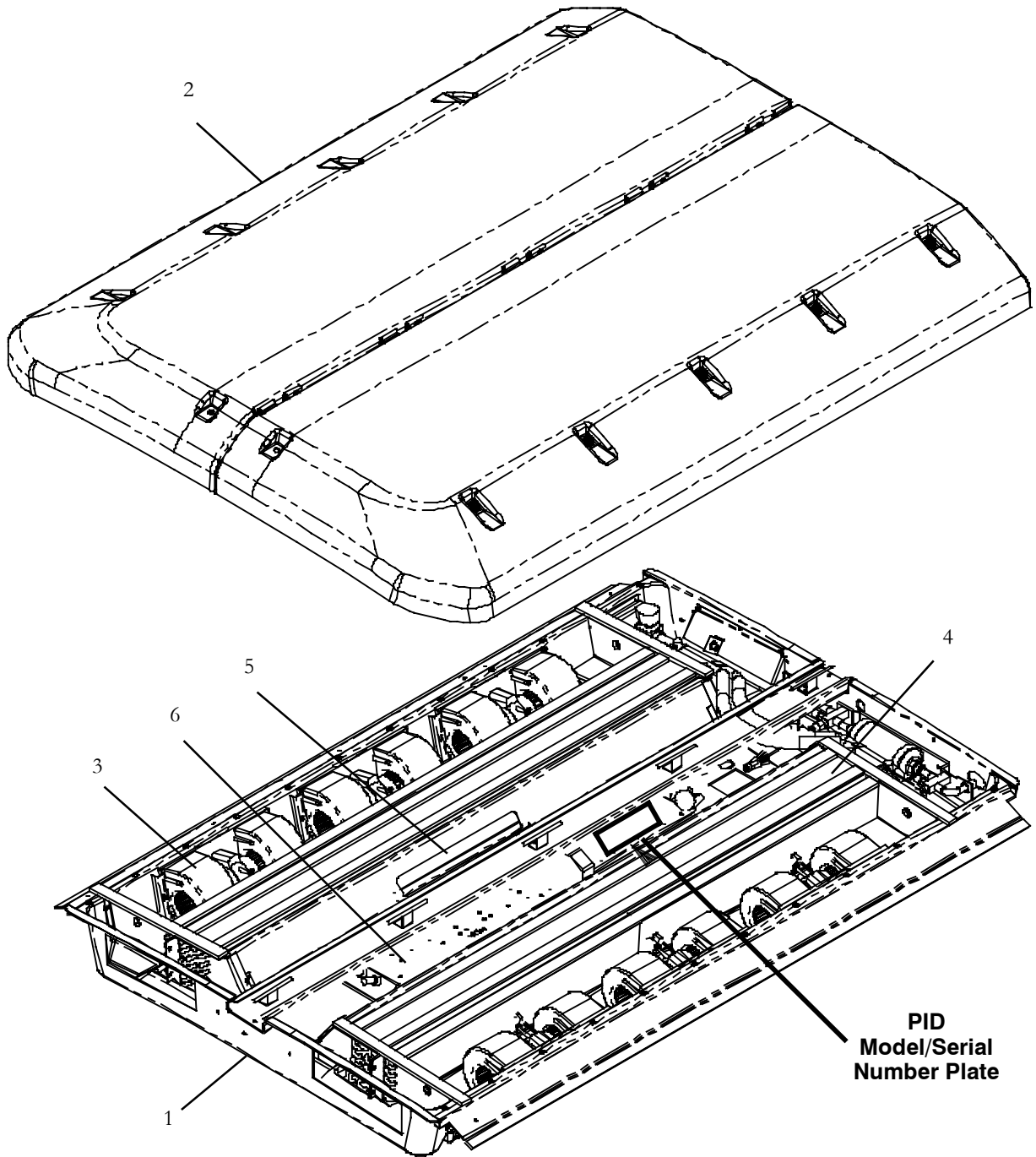
7 CONDENSER - DECAL KIT



Item	Part Number	Description	Qty
1	62-03882-01	Decal, MCC	1
2	62-62039-00	Label, Charge Only With R134a	1
3	62-62045-00	Label, Warning, Fan Blades & Disconnect Power	1



8 EVAPORATOR ASSEMBLY - LOCATIONAL VIEW



8 EVAPORATOR ASSEMBLY - LOCATIONAL VIEW - Continued:

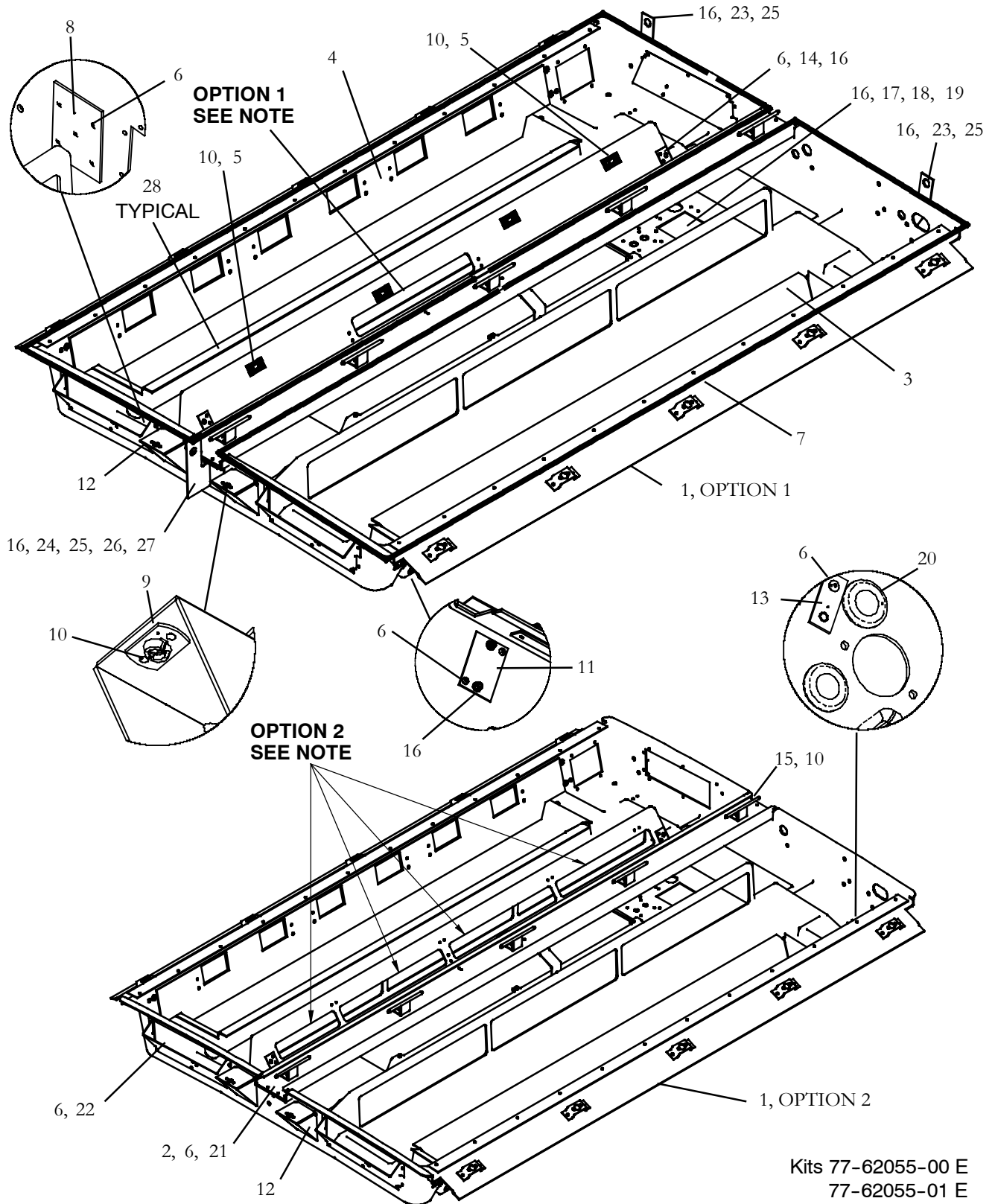
1	Evaporator Frame Kit (See Section 9)
2	Evaporator Skins Kit (See Section 10.1)
3	Evaporator Electrical Kit (See Section 11)
4	Evaporator Refrigeration Kit (See Section 12)
5	Evaporator Air Exchange Kit (See Section 13)
6	Evaporator Controller Kit (See Section 14 & 15)
7	Evaporator Decal Kit (See Section 18)



9 EVAPORATOR - FRAME KITS

9.1 Evaporator - Frame Kit, 100 Series - Options 1 & 2

NOTE: OPTIONS DIFFER ONLY BY THE GEOMETRY OF THE HIGHLIGHTED CUTOUTS



Kits 77-62055-00 E
77-62055-01 E

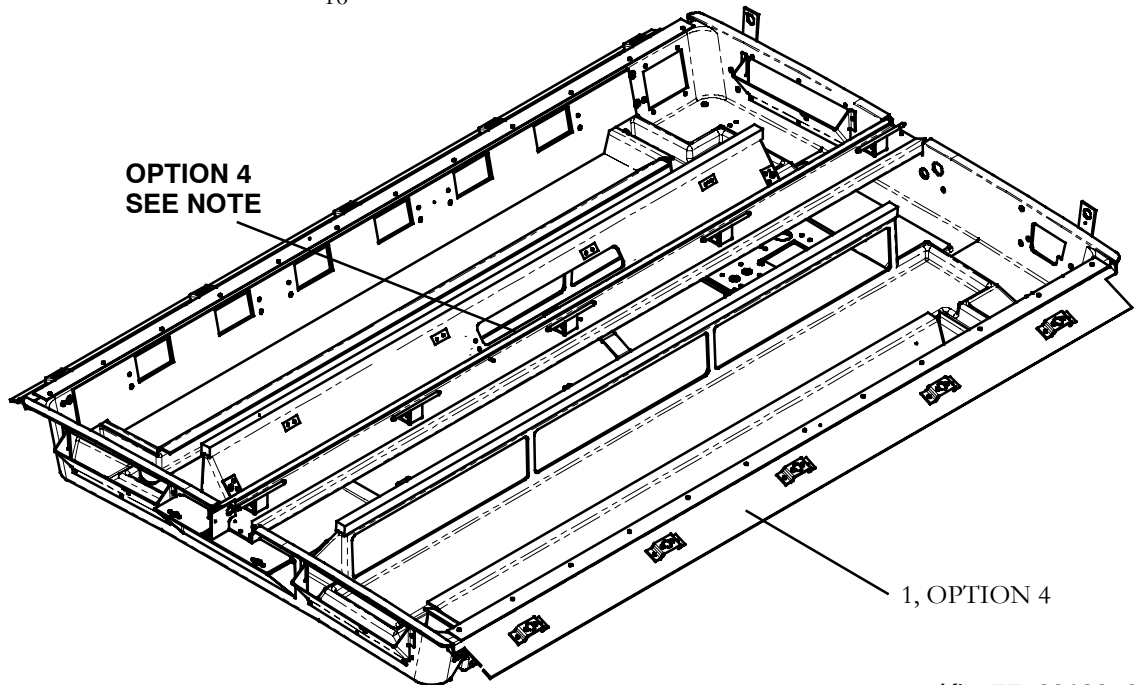
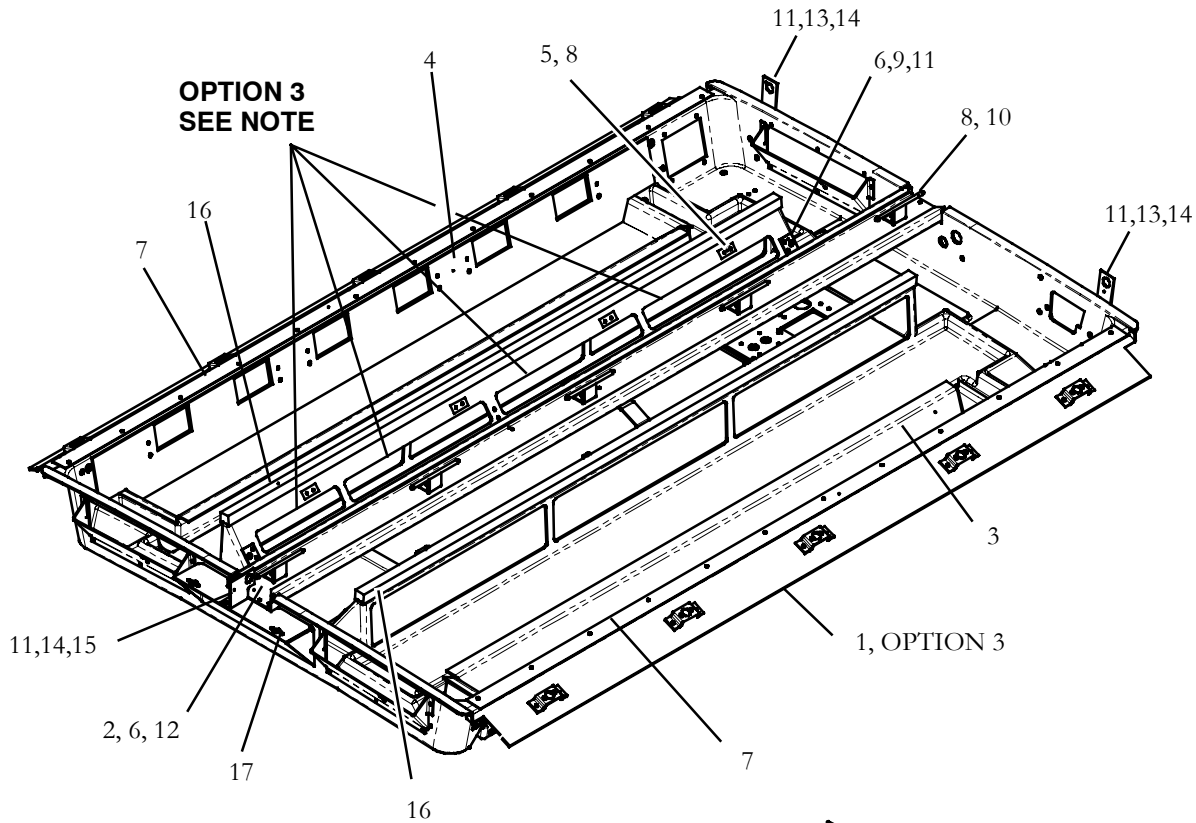


9.1 Evaporator - Frame Kit, 100 Series - Options 1 & 2 (Continued)			
Item	Part Number	Description	Qty
OPTION 1			
1	58-62101-00	Base Assembly, Modified, 0-20% Fresh Air	1
OPTION 2			
1	58-62101-01	Base Assembly, Modified, 0-100% Fresh Air	1
COMMON PARTS, OPTIONS 1 & 2			
2	86-62236-00	Base, Weld Assembly	1
3	42-62042-00	Insulation, Adhesive Backed, Black	2
4	42-62043-00	Insulation, Adhesive Backed, Black	2
5	58-04246-00	Base, Mounting Tab, Ty-Rap (#10)	5
6	34-62021-01	Rivet, Blind, Dome Head, 3/16 Dia., Grip Range: .250-.375	57
7	58-62076-00	Seal, Bulb	34 Ft.
8	68-62788-00	Plate, Bracket Backup	2
9	34-62016-00	Receptacle, Locking Plate	2
10	34-00928-02	Rivet, Blind, .125 Dia., Grip Range: .126-.187, SST	29
11	68-62772-00	Plate, Support	4
12	86-62222-00	Bracket Weld Assembly, Cover Mounting	2
13	68-62789-00	Plate & Stud Assembly, Blower Mounting	12
14	68-62801-00	Plate, Coil	8
15	44-62005-00	Hinge, Cover	5
16	34-06051-104	Rivnut, M6 X 1.0, Grip Range: .028-.165	21
17	68-63108-00	Bracket, Cover Plate	1
18	34-62021-00	Rivet, Blind, Dome Head, 3/16 Dia., Grip Range: .126-.250	2
19	68-63103-00	Plate, Cover	1
20	58-00065-51	Grommet, .88 ID X 1.25 OD	2
21	34-60089-05	Nut, Lock, M5, Twolock	2
22	68-62785-00	Bracket, Air Exchange	3
23	68-62984-00	Bracket, Lifting	2
24	68-62985-00	Bracket, Lifting	1
25	34-01266-20	Screw, Hex Head, Slotted, Sems, M6 X 20MM	8
26	68-63306-00	Bracket, Hanger (4 X 3.75 Inch)	1
27	68-63307-00	Bracket, Hanger (4 X 5.125 Inch)	1
28	42-00221-10	Gasket, Foam 1.00 thick x 1.00 x 66.75 Inch, Adhesive Backed	2



9.2 Evaporator - Frame Kit, 100 Series - Options 3 & 4

NOTE: OPTIONS DIFFER ONLY BY THE GEOMETRY OF THE HIGHLIGHTED CUTOUTS



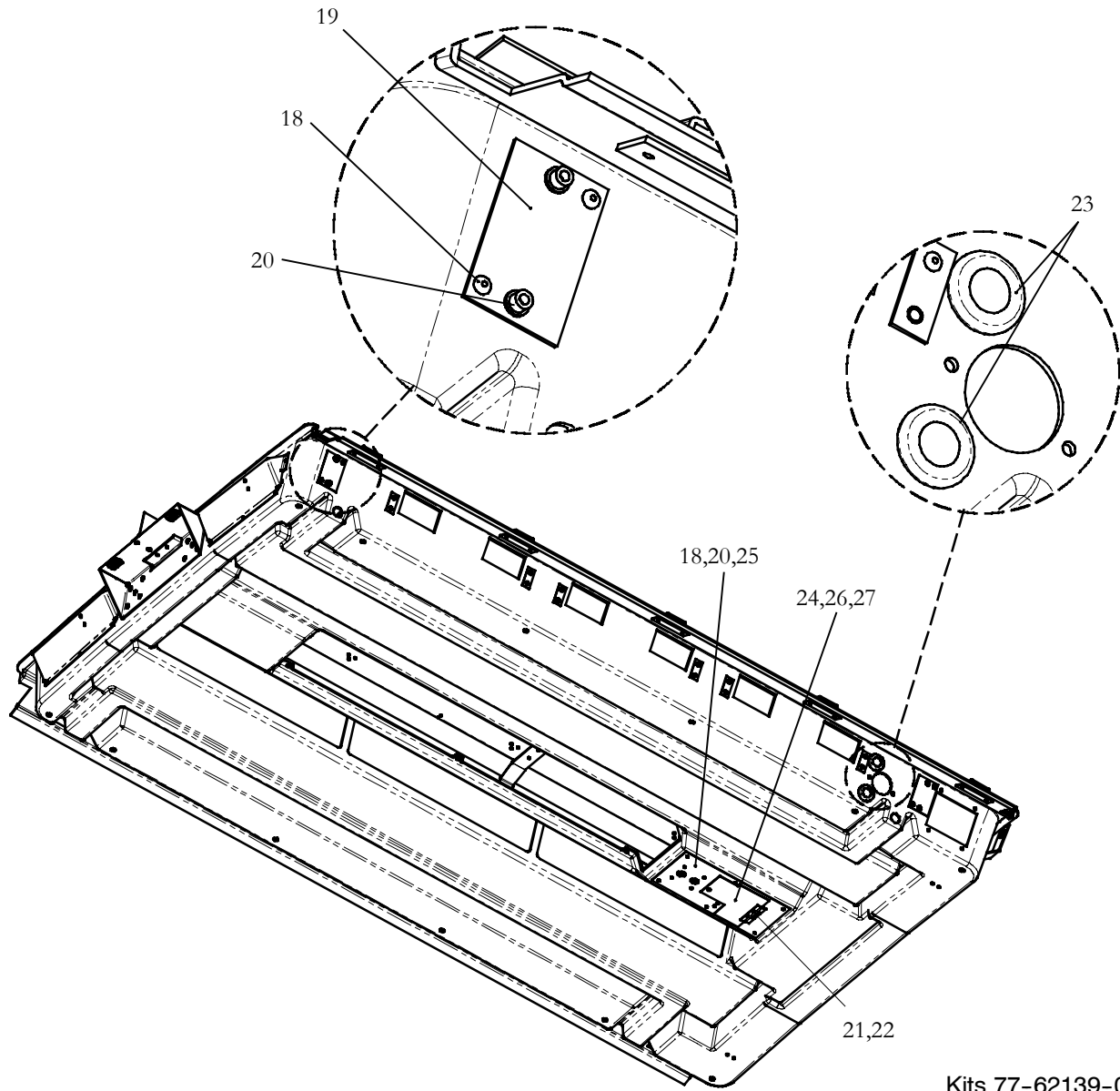
Kits 77-62139-00 C
77-62139-01 C



9.2 Evaporator - Frame Kit, 100 Series - Options 3 & 4 (Continued)			
Item	Part Number	Description	Qty
OPTION 3			
1	58-62135-00	Base Assembly, Modified, 0-100% Fresh Air,	1
OPTION 4			
1	58-62135-01	Base Assembly, Modified, 0-20% Fresh Air,	1
COMMON PARTS, OPTIONS 3 & 4			
2	86-62236-00	Base, Weld Assembly	1
3	42-62042-00	Insulation, Adhesive Backed, Black	2
4	42-62043-00	Insulation, Adhesive Backed, Black	2
5	58-04246-00	Base, Mounting Tab, Ty-Rap (#10)	5
6	34-62021-01	Rivet, Blind, Dome Head, 3/16 Dia., Grip Range: .250-.375	18
7	58-62076-00	Seal, Bulb	34 Ft.
8	34-00928-02	Rivet, Blind, .125 Dia., Grip Range: .126-.187, SST	25
9	68-62801-00	Plate, Coil	8
10	44-62005-00	Hinge, Cover	5
11	34-06051-104	Rivnut, M6x1.0, Grip Range: .028 - .165	16
12	34-60089-05	Nut, Lock, M5, Twolock	2
13	68-62984-00	Bracket, Lifting	2
14	34-01266-20	Screw, Hex Head, Slotted, Sems, M6 x 20MM	6
15	68-63359-00	Bracket, Lifting	1
16	42-00221-10	Gasket, Foam, 1.00 Thick x 1.00 x 66.75 inch, Adhesive Backed	2
17	34-62016-00	Receptacle, Locking Plate	2



9.2 Evaporator - Frame Kit, 100 Series - Options 3 & 4 (Continued)



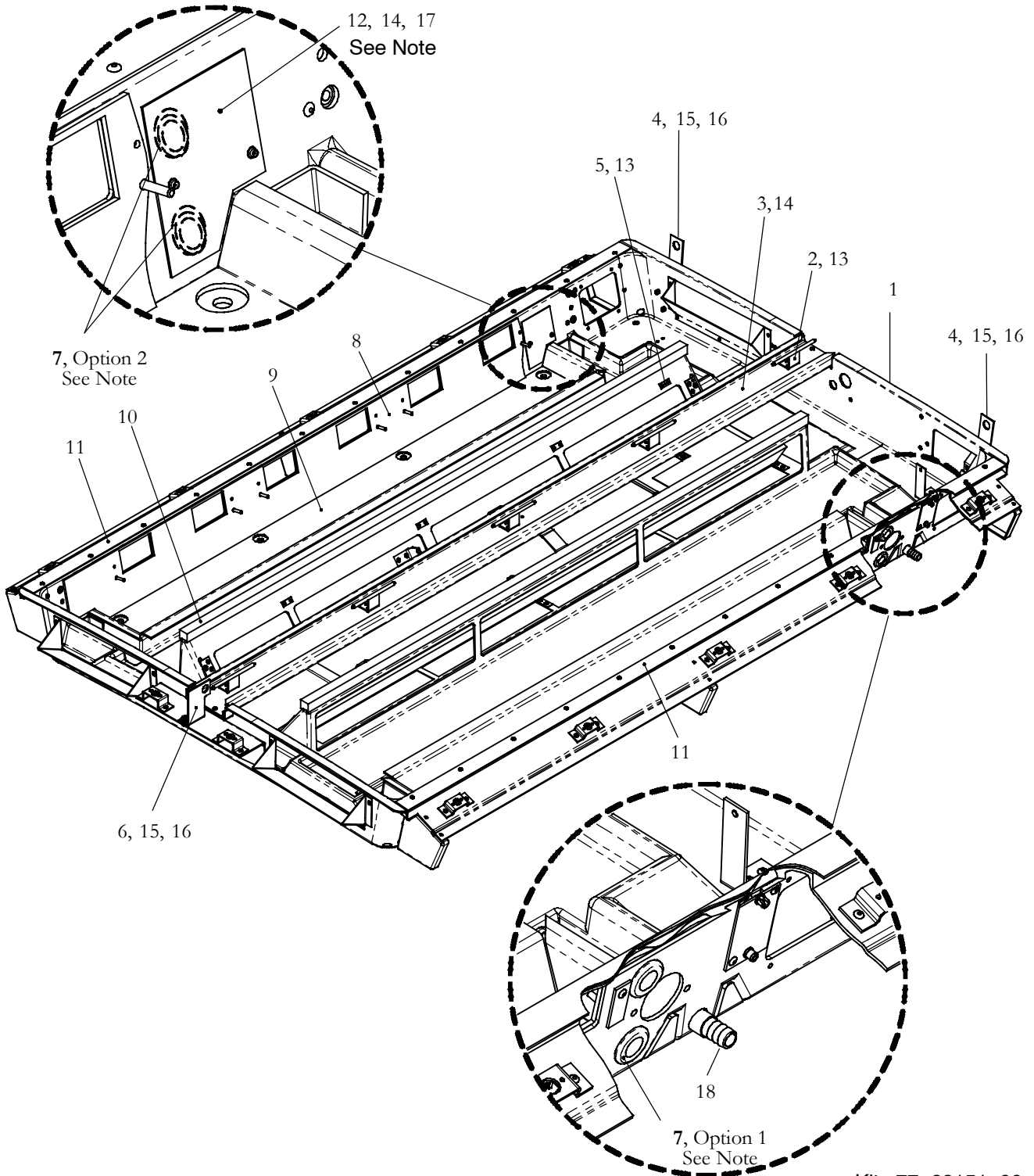
Kits 77-62139-00 C
77-62139-01 C

Item	Part Number	Description	Qty
18	34-62021-01	Rivet, Blind, Dome Head, 3/16 Dia., Grip Range: .250-.375	8
19	68-62772-00	Plate, Support	4
20	34-06051-104	Rivnut, M6 X 1.0, Grip Range: .028-.165	3
21	68-63108-00	Bracket, Cover Plate	1
22	34-62021-00	Rivet, Blind, Dome Head, 3/16 Dia., Grip Range: .126-.250	2
23	58-00065-51	Grommet, .88 ID x 1.25 OD	2
24	34-01266-20	Screw, Hex Head, Slotted, Sems, M6 x 20MM	1
25	68-63356-00	Plate, Mounting	2
26	68-63360-00	Plate, Cover	1
27	42-62102-00	Insulation, Cover Plate, Adhesive Backed, Black	1



9.3 Evaporator - Frame Kit, 101 Series - Options 5 & 6

NOTE: The Option 1 & Option 2 assemblies are identical with the exception of the location of items 8 and 14. If an Option 2 assembly is required the location of these items must be field reversed.



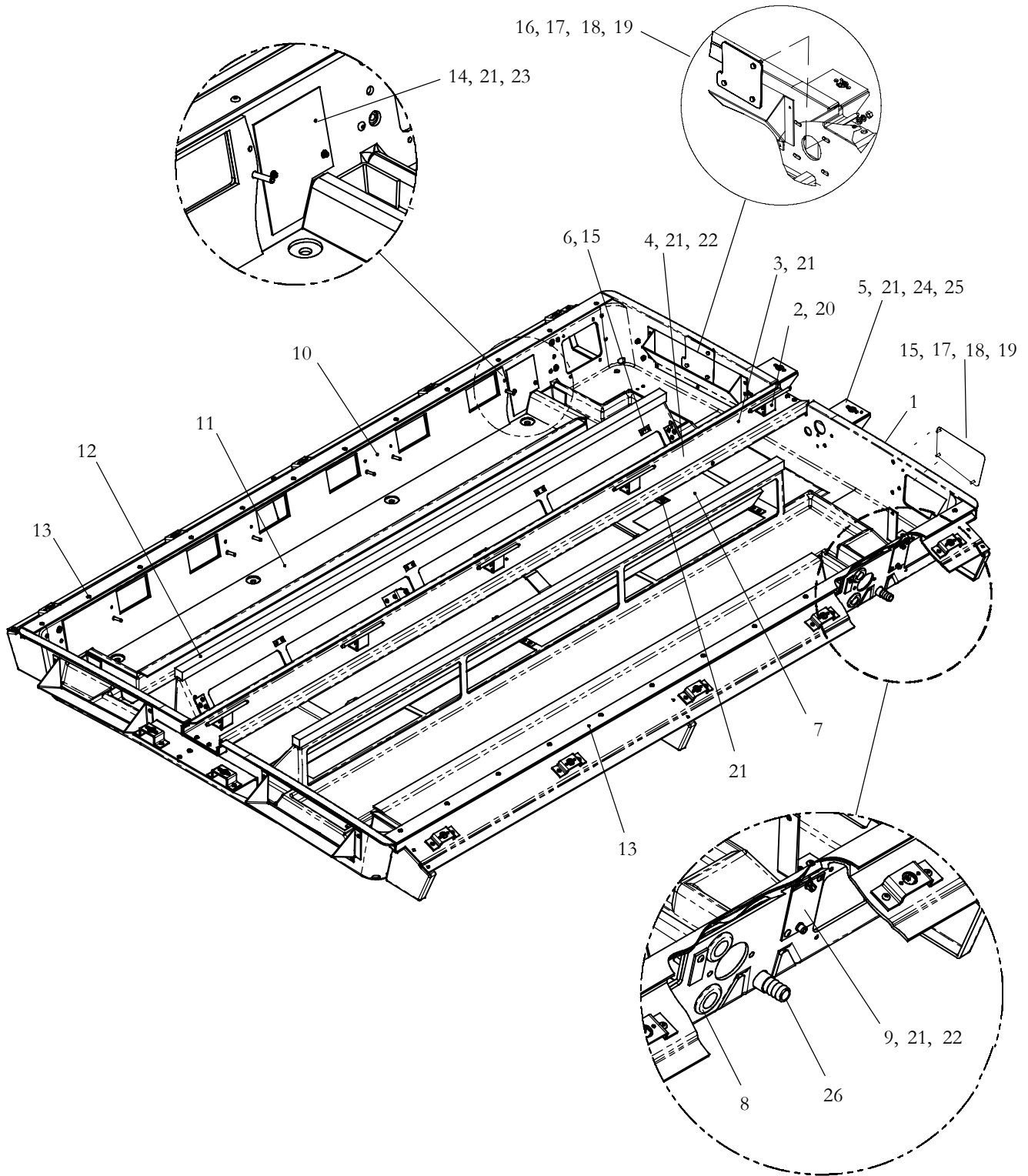
Kits 77-62151-00 J
77-62151-01 J



9.3 Evaporator - Frame Kit, 101 Series - Options 5 & 6 (Continued)			
Item	Part Number	Description	Qty
OPTION 1			
1	58-62145-00	Base Assembly, Modified, 0-100% Fresh Air (See Note on preceding page)	1
OPTION 2			
1	58-62145-01	Base Assembly, Field Modified (See Note on preceding page)	1
COMMON PARTS, OPTIONS 5 & 6			
2	44-62005-01	Hinge, Cover	5
3	86-62236-00	Base, Weld Assembly	1
4	68-62984-00	Bracket, Lifting	2
5	58-04246-00	Base, Mounting Tab, Ty-Rap (#10)	5
6	68-63359-00	Bracket, Lifting	1
7	58-00065-51	Grommet, .88 ID X 1.25 OD	2
8	42-62043-00	Insulation, Adhesive Backed, Black	2
9	42-62042-00	Insulation, Adhesive Backed, Black	2
10	42-00221-10	Gasket, Foam 1.00 thick x 1.00 x 66.75 Inch, Adhesive Backed	2
11	58-62076-00	Seal, Bulb (50 Foot Roll)	1
12	68-63586-00	Plate, Cover	1
13	34-62074-00	Rivet, Closed, .125 Dia., Grip Range: .126-.187, SST	25
14	34-01295-18	Rivet, Pop, Closed End, 3/16 Dia., Grip Range: .250-.375	8
15	34-06051-104	Rivnut, M6 X 1.0, Grip Range: .028-.165	6
16	34-01266-20	Screw, Hex Head, Slotted, Sems, M6 X 20MM	6
17	34-00662-09	Washer, Flat, #10, SST	2
N/S	58-62157-00	Panel, Cover, Clear	1
18	22-25-05-004	Drain Tube, Evaporator Base	2
N/S	02-62001-00	Sealant, Adhesive Caulk, Black, 10.3 Ounce Tube	1



9.4 Evaporator - Frame Kit, 101 Series - Option 7



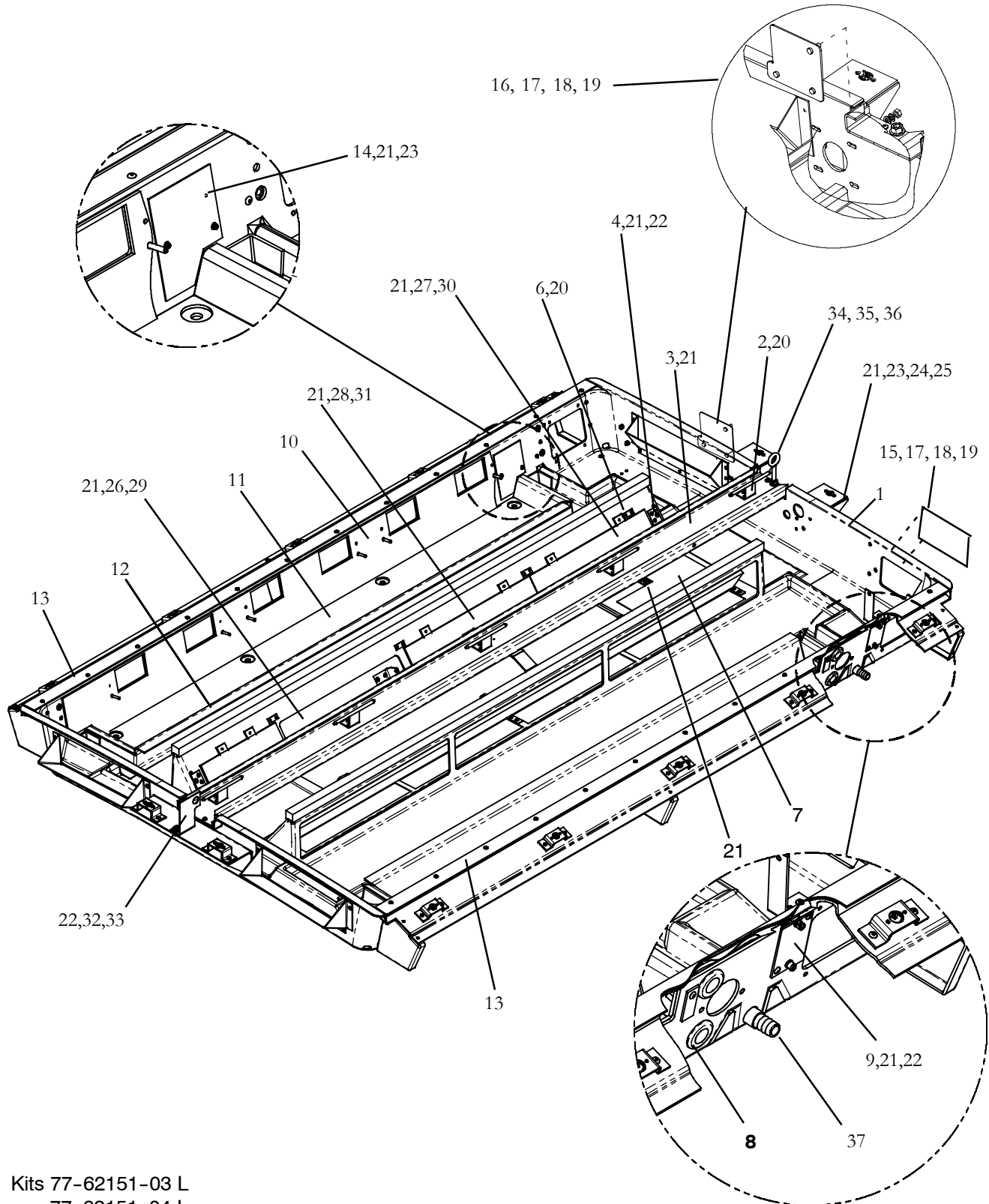
Kit 77-62151-02 J



9.4 Evaporator - Frame Kit, 101 Series - Option 7 (Continued)			
Item	Part Number	Description	Qty
1	58-62178-00	Base Assembly, Modified	1
2	44-62005-00	Hinge, Cover	5
3	86-62236-00	Base, Weld Assembly	1
4	68-62801-00	Plate, Coil	4
5	86-03144-00	Bracket, Lifting	2
6	58-04246-00	Base, Mounting Tab, Ty-Rap (#10)	5
7	58-62157-00	Panel, Cover, Clear	1
8	58-00065-51	Grommet, .88 ID X 1.25 OD	2
9	68-62772-00	Plate, Support	4
10	42-62043-00	Insulation, Adhesive Backed, Black	2
11	42-62042-00	Insulation, Adhesive Backed, Black	2
12	42-00221-10	Gasket, Foam 1.00 thick x 1.00 x 66.75 Inch, Adhesive Backed	2
13	58-62076-00	Seal, Bulb (50 Foot Roll)	1
14	68-63586-00	Plate, Cover	1
15	68-63832-01	Plate Assembly, Block off	1
16	68-63833-00	Plate Assembly, Block off	1
17	34-00944-06	Washer, Flat, M6	5
18	34-00945-06	Washer, Split Lock, M6, Steel	5
19	34-00946-06	Nut, Hex, M6-1.00, Zinc Plated	5
20	34-62074-00	Rivet, Closed, .125 Dia., Grip Range: .126-.187, SST	25
21	34-01295-18	Rivet, Pop, Closed End, 3/16 Dia., Grip Range: .250-.375	30
22	34-06051-104	Rivnut, M6 X 1.0, Grip Range: .028-.165	12
23	34-00662-09	Washer, Flat, #10, SST	2
24	34-62016-00	Receptacle, Locking Plate	2
25	34-00928-09	Rivet, Blind, .156 Dia., Grip Range: .126-.250, SST	4
26	22-25-05-004	Drain Tube, Evaporator Base	2
N/S	02-62001-00	Sealant, Adhesive Caulk, Black, 10.3 Ounce Tube	1



9.5 Evaporator - Frame Kit, 101 Series - Options 8 & 9



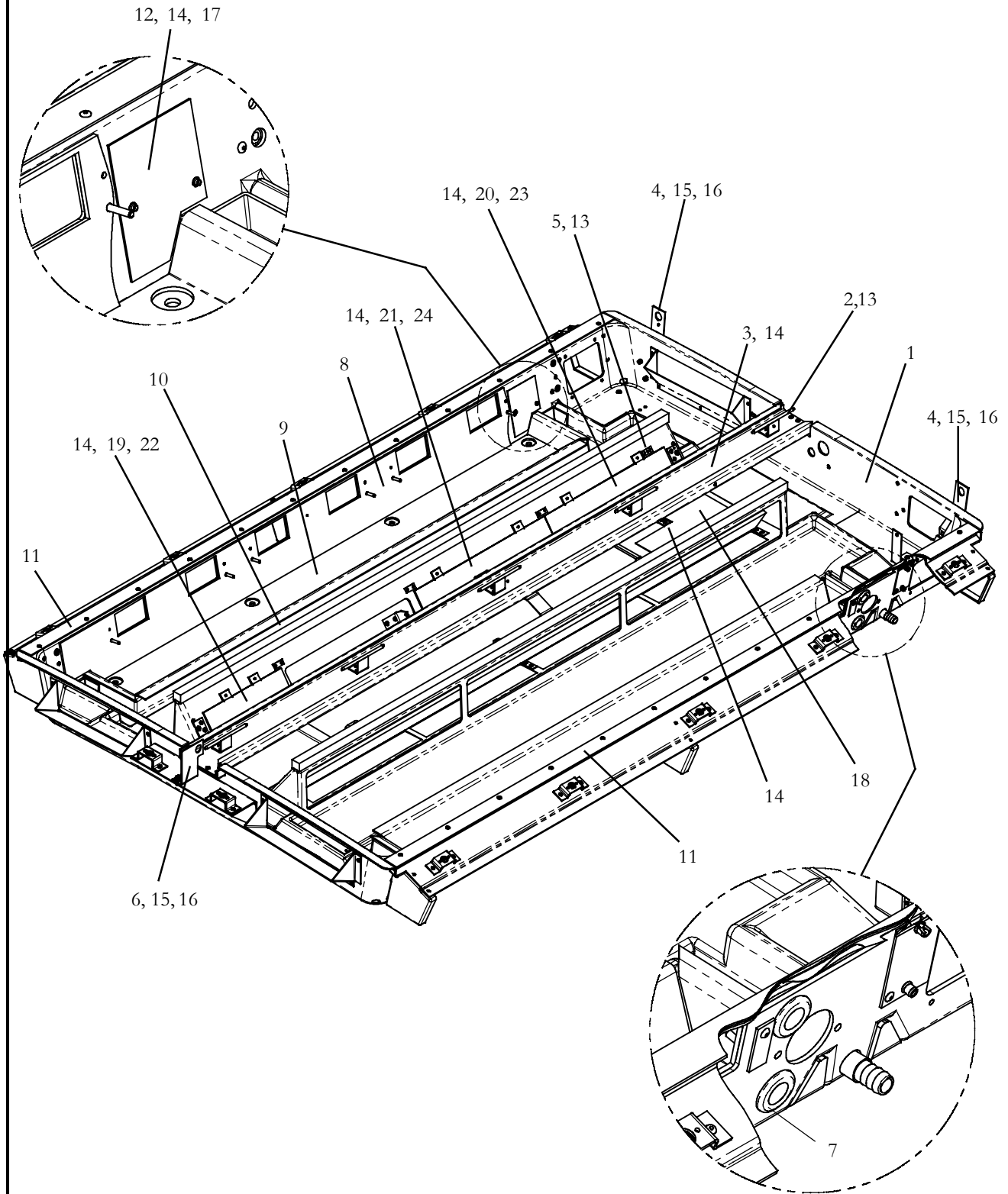
Kits 77-62151-03 L
77-62151-04 L



9.5 Evaporator - Frame Kit, 101 Series - Options 8 & 9 (Continued)			
Item	Part Number	Description	Qty
1	58-62178-01	Base Assembly, Modified	1
2	44-62005-00	Hinge, Cover	5
3	86-62236-00	Base, Weld Assembly	1
4	68-62801-00	Plate, Coil	4
5	86-03144-00	Bracket, Lifting	2
6	58-04246-00	Base, Mounting Tab, Ty-Rap (#10)	5
7	58-62157-00	Panel, Cover, Clear	1
8	58-00065-51	Grommet, .88 ID X 1.25 OD	2
9	68-62772-00	Plate, Support	4
10	42-62043-00	Insulation, Adhesive Backed, Black	2
11	42-62042-00	Insulation, Adhesive Backed, Black	2
12	42-00221-10	Gasket, Foam 1.00 thick x 1.00 x 66.75 Inch, Adhesive Backed	2
13	58-62076-00	Seal, Bulb (50 Foot Roll)	1
14	68-63586-00	Plate, Cover	1
15	68-63832-01	Plate Assembly, Block off	1
16	68-63833-00	Plate Assembly, Block off	1
17	34-00944-06	Washer, Flat, M6	5
18	34-00945-06	Washer, Split Lock, M6, Steel	5
19	34-00946-06	Nut, Hex, M6-1.00, Zinc Plated	5
20	34-62074-00	Rivet, Closed, .125 Dia., Grip Range: .126-.187, SST	25
21	34-01295-18	Rivet, Pop, Closed End, 3/16 Dia., Grip Range: .250-.375	42
22	34-06051-104	Rivnut, M6 X 1.0, Grip Range: .028-.165	14
23	34-00662-09	Washer, Flat, #10, SST	8
24	34-62016-00	Receptacle, Locking Plate	2
25	34-00928-09	Rivet, Blind, .156 Dia., Grip Range: .126-.250, SST	4
26	68-63693-00	Panel, Fresh Air	2
27	68-63693-01	Panel, Fresh Air	2
28	68-63693-02	Panel, Fresh Air	2
29	42-62129-00	Insulation, Fresh Air, Adhesive Backed, Black	2
30	42-62129-01	Insulation, Fresh Air, Adhesive Backed, Black	2
31	42-62129-02	Insulation, Fresh Air, Adhesive Backed, Black	2
32	68-63359-00	Bracket, Lifting Device	1
33	34-01266-20	Screw, Hex Head, Slotted, Sems, M6 x 20MM	2
34	34-62069-00	Eye bolt, 3/8-16 x 1.50 Inches Long	1
35	34-00363-13	Nut, Hex, 3/8-16, Zinc Plated	2
36	34-00366-13	Washer, Plain, 3/8, Zinc Plated	2
37	22-25-05-004	Drain Tube, Evaporator Base	2
N/S	02-62001-00	Sealant, Adhesive Caulk, Black, 10.3 Ounce Tube	1



9.6 Evaporator - Frame Kit, 101 Series - Option 10



Kit 77-62151-05 K

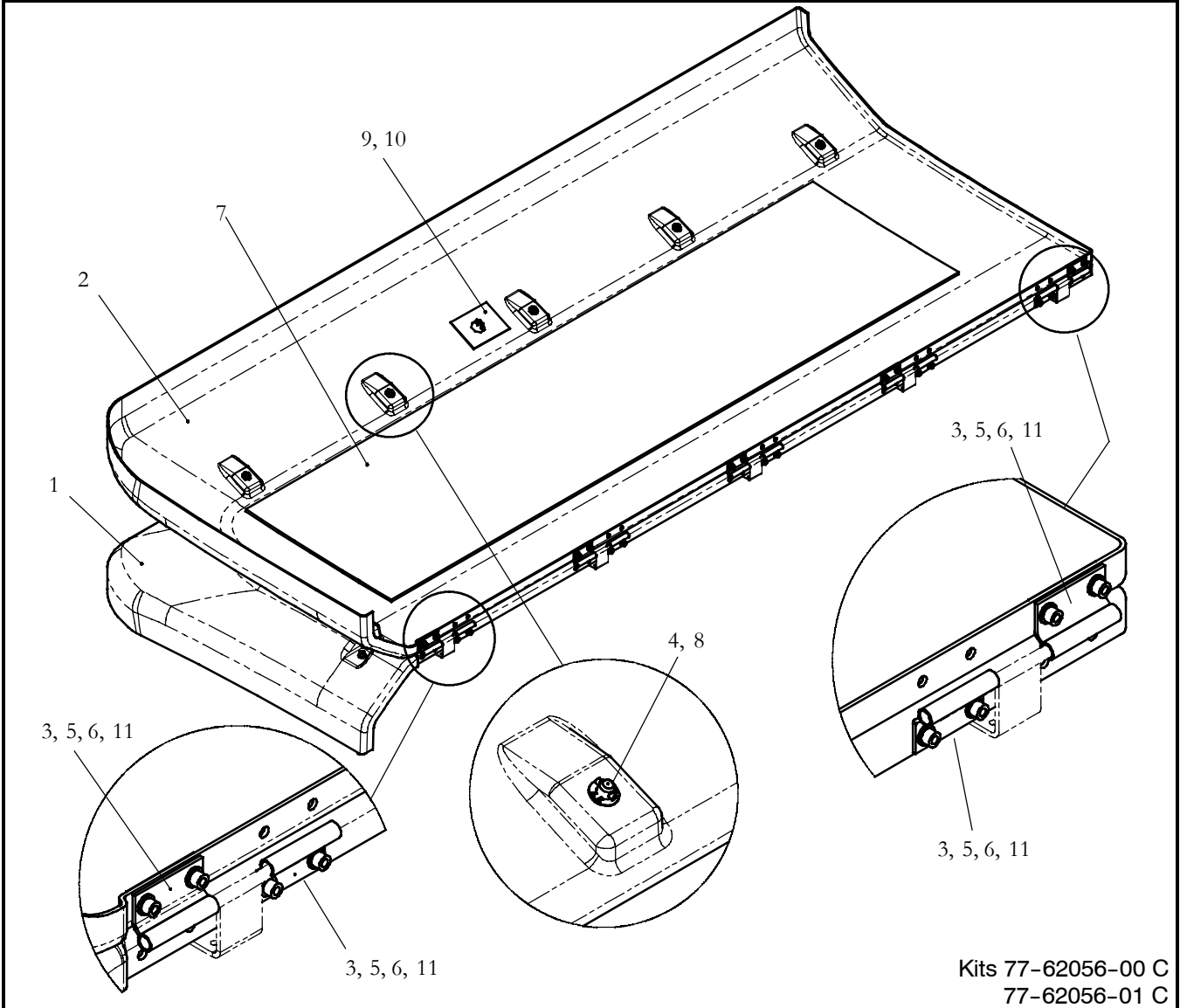


9.6 Evaporator - Frame Kit, 101 Series - Option 10 (Continued)			
Item	Part Number	Description	Qty
1	58-62199-00	Base Assembly, Modified	1
2	44-62005-01	Hinge, Cover	5
3	86-62236-00	Base, Weld Assembly	1
4	68-62984-00	Bracket, Lifting	2
5	58-04246-00	Base, Mounting Tab, Ty-Rap (#10)	5
6	68-63359-00	Panel, Cover, Clear	1
7	58-00065-51	Grommet, .88 ID X 1.25 OD	2
8	42-62043-00	Insulation, Adhesive Backed, Black	2
9	42-62042-00	Insulation, Adhesive Backed, Black	2
10	42-00221-10	Gasket, Foam 1.00 thick x 1.00 x 66.75 Inch, Adhesive Backed	2
11	58-62076-00	Seal, Bulb (50 Foot Roll)	1
12	68-63586-00	Plate, Cover	1
13	34-62074-00	Rivet, Closed, .125 Dia., Grip Range: .126-.187, SST	25
14	34-01295-18	Rivet, Pop, Closed End, 3/16 Dia., Grip Range: .250-.375	20
15	34-06051-104	Rivnut, M6 X 1.0, Grip Range: .028-.165	6
16	34-01266-20	Screw, Hex Head, Slotted, Sems, M6 x 20MM	6
17	34-00662-09	Washer, Flat, #10, SST	2
18	58-62157-00	Panel, Cover, Lexan	1
N/S	02-62001-00	Sealant, Adhesive Caulk, Black, 10.3 Ounce Tube	1
19	68-63693-00	Panel, Fresh Air	2
20	68-63693-01	Panel, Fresh Air	2
21	68-63693-02	Panel, Fresh Air	2
22	42-62129-00	Insulation, Fresh Air, Adhesive Backed, Black	2
23	42-62129-01	Insulation, Fresh Air, Adhesive Backed, Black	2
24	42-62129-02	Insulation, Fresh Air, Adhesive Backed, Black	2



10 EVAPORATOR - SKINS KITS

10.1 Evaporator - Skins Kit, Options 1 & 3



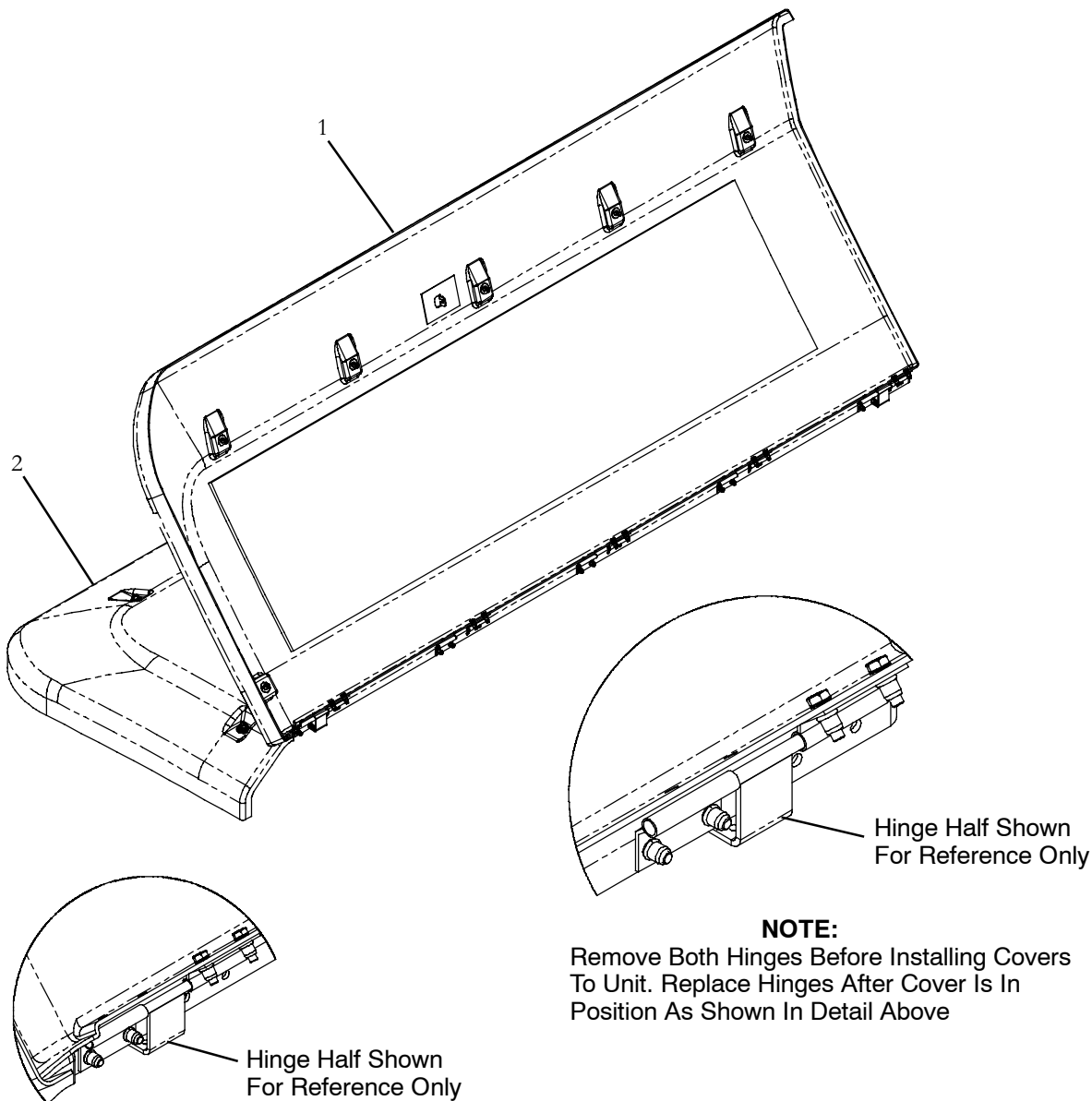
Item	Part Number	Description	Qty
OPTION 1			
1	58-62060-00	Cover, Evaporator, Curbside (with condenser to front)	1
2	58-62060-01	Cover, Evaporator, Roadside (with condenser to front)	1
OPTION 3			
1	58-62146-00	Cover, Evaporator, Curbside (with condenser to front), 180 Inch Radius	1
2	58-62146-01	Cover, Evaporator, Roadside (with condenser to front), 180 Inch Radius	1



COMMON PARTS, OPTIONS 1 & 3

3	44-62004-00	Hinge, Half, Cover	10
4	32-24-01-013	Stud, Hex Head Slotted, 1/4 Turn, With Disc & Flat Washers	12
5	34-00967-25	Screw, Hex Head, M6 X 25 MM	20
6	34-60002-06	Washer, Bellville, Conical Spring, M6	20
7	42-62040-00	Insulation, Cover	2
8	32-24-01-016	Washer, Retaining, Steel	12
9	68-62775-00	Bracket, Cover	2
10	02-62001-00	Sealant, Caulking, Black, (10.3 Ounce Tube)	1
11	68-62790-00	Plate, Backup, Hinge	10

10.2 Evaporator - Skins Kit, Standard Cover - China Option 2



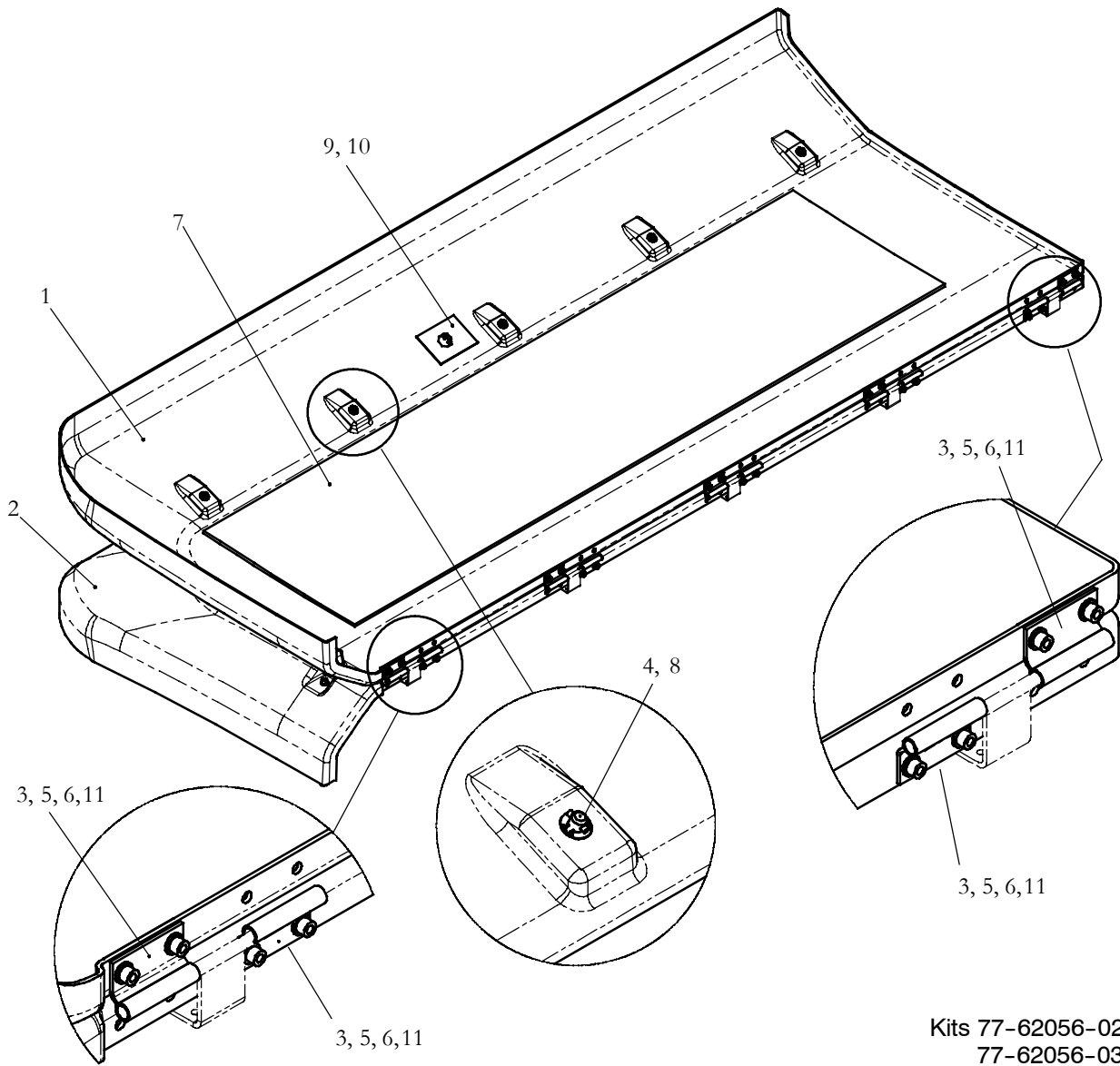
Kit 77-62207-00 A



10.2 Evaporator - Skins Kit, Standard Cover - China Option 2			
Item	Part Number	Description	Qty
1	58-62195-00	Cover Assembly, Evaporator, Roadside, (Condenser To Front)- Includes:	1
	NSS	Cover, Evaporator, Roadside, White	1
	44-62004-01	Hinge, Half, Cover	5
	32-24-01-013	Stud, Hex Head Slotted, 1/4 Turn, With Disc & Flat Washer	6
	34-00967-25	Screw, Hex Head, M6 x 25MM	10
	34-60002-06	Washer, Bellville, Conical Spring, M6	10
	42-62040-00	Insulation, Cover	1
	32-24-01-016	Washer, Retaining, Steel	6
	68-62775-00	Bracket, Cover	1
	02-62001-00	Sealant, Adhesive, Black, 10.3 Ounce Tube	1
	68-62790-00	Plate, Backup, Hinge	5
	10.2 Evaporator - Skins Kit, Standard Cover - China Option 2 (Continued)		
Item	Part Number	Description	Qty
2	58-62195-01	Cover Assembly, Evaporator, Curbside, (Condenser To Front)- Includes:	1
	NSS	Cover, Evaporator, Roadside, White	1
	44-62004-01	Hinge, Half, Cover	5
	32-24-01-013	Stud, Hex Head Slotted, 1/4 Turn, With Disc & Flat Washer	6
	34-00967-25	Screw, Hex Head, M6 x 25MM	10
	34-60002-06	Washer, Bellville, Conical Spring, M6	10
	42-62040-00	Insulation, Cover	1
	32-24-01-016	Washer, Retaining, Steel	6
	68-62775-00	Bracket, Cover	1
	02-62001-00	Sealant, Adhesive, Black, 10.3 Ounce Tube	1
	68-62790-00	Plate, Backup, Hinge	5



10.3 Evaporator - Skins Kit, Evaporator Only - Options 4 & 5



Kits 77-62056-02 B
77-62056-03 C

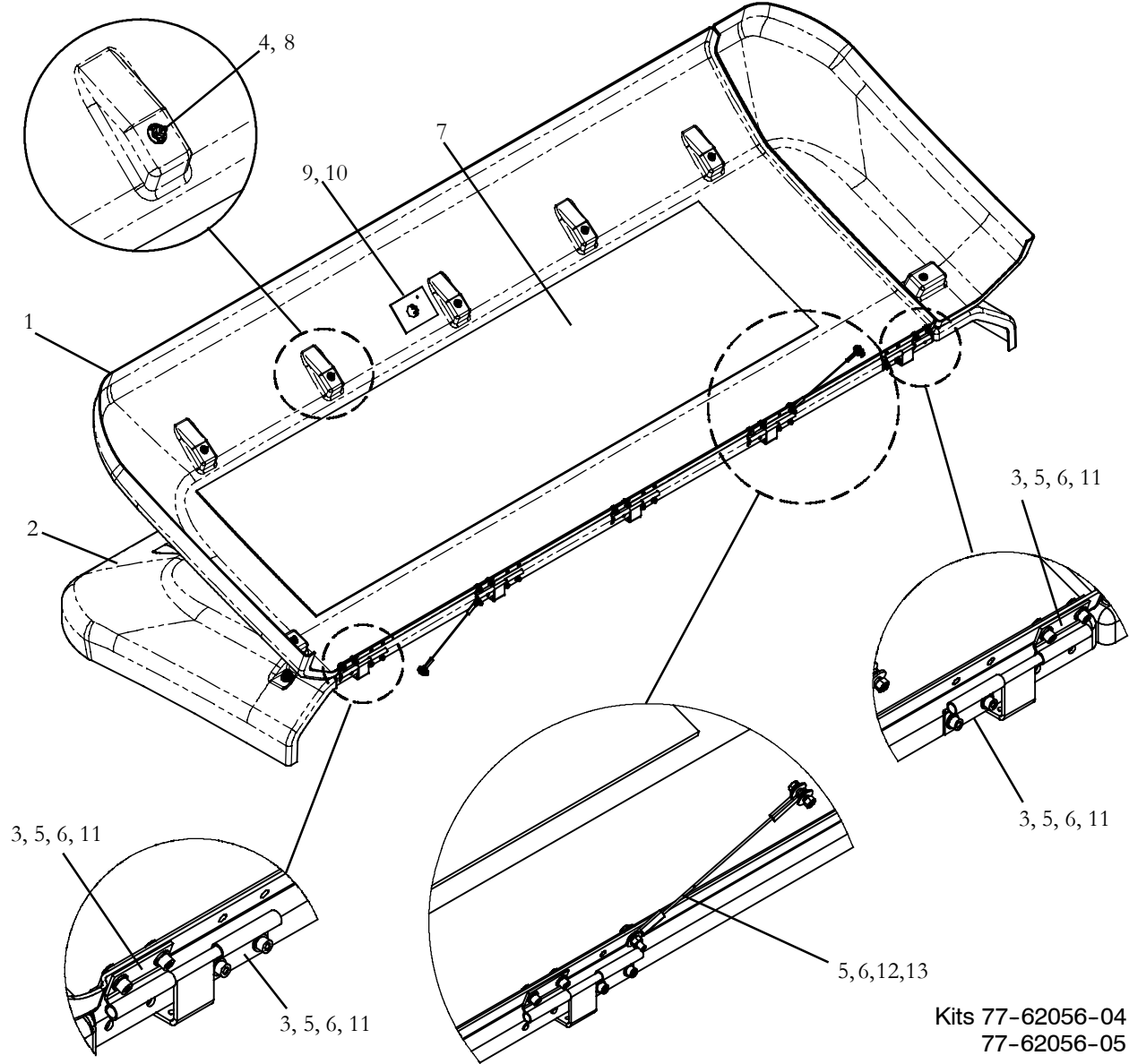
Item	Part Number	Description	Qty
1	58-62180-00	Cover Assembly, Evaporator, Roadside, White, (77-62056-02) - Includes:	1
	58-62060-00	Cover, Evaporator, Roadside, White	1
	58-62179-00	Cover, End Cap, Evaporator, Roadside, White	1
	34-62021-02	Rivet, Blind, Dome Head, 3/16 Dia., Grip Range: .375-.500	4
	34-00662-09	Washer, Plain, #10, SST	4
	02-62001-00	Sealant, Caulking, Black, (10.3 Ounce Tube)	1
1	58-62180-02	Cover Assembly, Evaporator, Roadside, Gray, (77-62056-03) Includes:	1
	58-62060-02	Cover, Evaporator, Roadside, Gray	1
	58-62179-02	Cover, End Cap, Evaporator, Roadside, Gray	1
	34-62021-02	Rivet, Blind, Dome Head, 3/16 Dia., Grip Range: .375-.500	4
	34-00662-09	Washer, Plain, #10, SST	4
	02-62001-00	Sealant, Caulking, Black, (10.3 Ounce Tube)	1



10.3 Evaporator - Skins Kit, Evaporator Only - Options 4 & 5 (continued)			
Item	Part Number	Description	Qty
2	58-62180-01	Cover Assembly, Evaporator, Curbside, White, (77-62056-02) Includes:	1
	58-62060-01	Cover, Evaporator, Curbside, White	1
	58-62179-01	Cover, End Cap, Evaporator, Curbside, White	1
	34-62021-02	Rivet, Blind, Dome Head, 3/16 Dia., Grip Range: .375-.500	4
	34-00662-09	Washer, Plain, #10, SST	4
	34-00662-09	Sealant, Caulking, Black, (10.3 Ounce Tube)	1
2	58-62180-03	Cover Assembly, Evaporator, Roadside, Gray, (77-62056-03) Includes:	1
	58-62060-03	Cover, Evaporator, Roadside, Gray	1
	58-62179-03	Cover, End Cap, Evaporator, Roadside, Gray	1
	34-62021-02	Rivet, Blind, Dome Head, 3/16 Dia., Grip Range: .375-.500	4
	34-00662-09	Washer, Plain, #10, SST	4
	02-62001-00	Sealant, Caulking, Black, (10.3 Ounce Tube)	1
3	44-62004-00	Hinge, Half, Cover	10
4	32-24-01-013	Stud, Hex Head Slotted, 1/4 Turn, With Disc & Flat Washers	14
5	34-00967-25	Screw, Hex Head, M6 x 25MM	20
6	34-60002-06	Washer, Bellville, Conical Spring, M6	20
7	42-62040-00	Insulation, Cover	2
8	32-24-01-016	Washer, Retaining, Steel	14
9	68-62775-00	Bracket, Cover	2
10	68-62790-00	Plate, Backup, Hinge	10
11	02-62001-00	Sealant, Adhesive Caulk, Black, 10.3 Ounce Tube	1



10.4 Evaporator - Skins Kit, Evaporator Only - Safety - Options 6 & 7



Kits 77-62056-04 D
77-62056-05 D

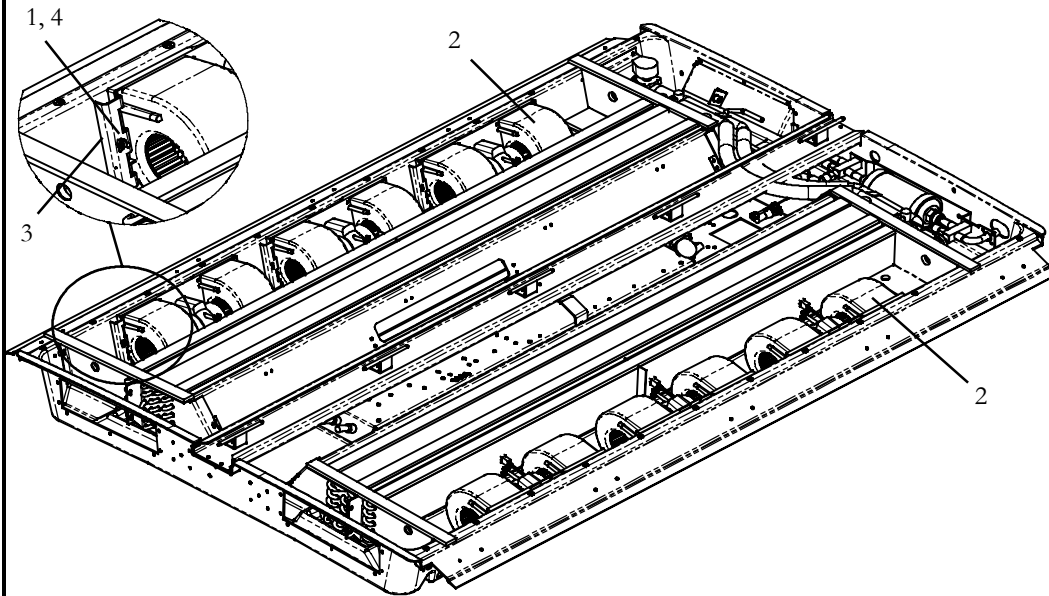
Item	Part Number	Description	Qty
1	58-62180-00	Cover Assembly, Evaporator, Roadside, White, (77-62056-04) Includes:	1
	58-62060-00	Cover, Evaporator, Roadside, White	1
	58-62179-00	Cover, End Cap, Evaporator, Roadside, White	1
	34-62021-02	Rivet, Blind, Dome Head, 3/16 Dia., Grip Range: .375-.500	4
	34-00662-09	Washer, Plain, #10, SST	4
	02-62001-00	Sealant, Caulking, Black, (10.3 Ounce Tube)	1
1	58-62180-02	Cover Assembly, Evaporator, Roadside, Gray, (77-62056-05) Includes:	1
	58-62060-02	Cover, Evaporator, Roadside, Gray	1
	58-62179-02	Cover, End Cap, Evaporator, Roadside, Gray	1
	34-62021-02	Rivet, Blind, Dome Head, 3/16 Dia., Grip Range: .375-.500	4
	34-00662-09	Washer, Plain, #10, SST	4
	02-62001-00	Sealant, Caulking, Black, (10.3 Ounce Tube)	1



10.4 Evaporator - Skins Kit, Evaporator Only - Safety - Options 6 & 7 (Continued)			
Item	Part Number	Description	Qty
2	58-62180-01	Cover Assembly, Evaporator, Curbside, White, (77-62056-04) Includes:	1
	58-62060-01	Cover, Evaporator, Curbside, White	1
	58-62179-01	Cover, End Cap, Evaporator, Curbside, White	1
	34-62021-02	Rivet, Blind, Dome Head, 3/16 Dia., Grip Range: .375-.500	4
	34-00662-09	Washer, Plain, #10, SST	4
	02-62001-00	Sealant, Caulking, Black, (10.3 Ounce Tube)	1
2	58-62180-03	Cover Assembly, Evaporator, Roadside, Gray, (77-62056-05) Includes:	1
	58-62060-03	Cover, Evaporator, Roadside, Gray	1
	58-62179-03	Cover, End Cap, Evaporator, Roadside, Gray	1
	34-62021-02	Rivet, Blind, Dome Head, 3/16 Dia., Grip Range: .375-.500	4
	34-00662-09	Washer, Plain, #10, SST	4
	02-62001-00	Sealant, Caulking, Black, (10.3 Ounce Tube)	1
3	44-62004-00	Hinge, Half, Cover	10
4	32-24-01-013	Stud, Hex Head Slotted, 1/4 Turn, With Disc & Flat Washers	14
5	34-00967-25	Screw, Hex Head, M6 x 25MM	24
6	34-60002-06	Washer, Bellville, Conical Spring, M6	24
7	42-62040-00	Insulation, Cover	2
8	32-24-01-016	Washer, Retaining, Steel	14
9	68-62775-00	Bracket, Cover	2
10	02-62001-00	Sealant, Adhesive Caulk, Black, 10.3 Ounce Tube	1
11	68-63734-00	Plate, Backup, Cover Hinge, Painted	2
12	79-62111-00	Cable Assembly, Safety	2
13	34-00946-06	Nut, Hex, M6 1.00, Zinc Plated	4



11 EVAPORATOR - ELECTRICAL KIT - OPTIONS 1, 2, 3 & 4



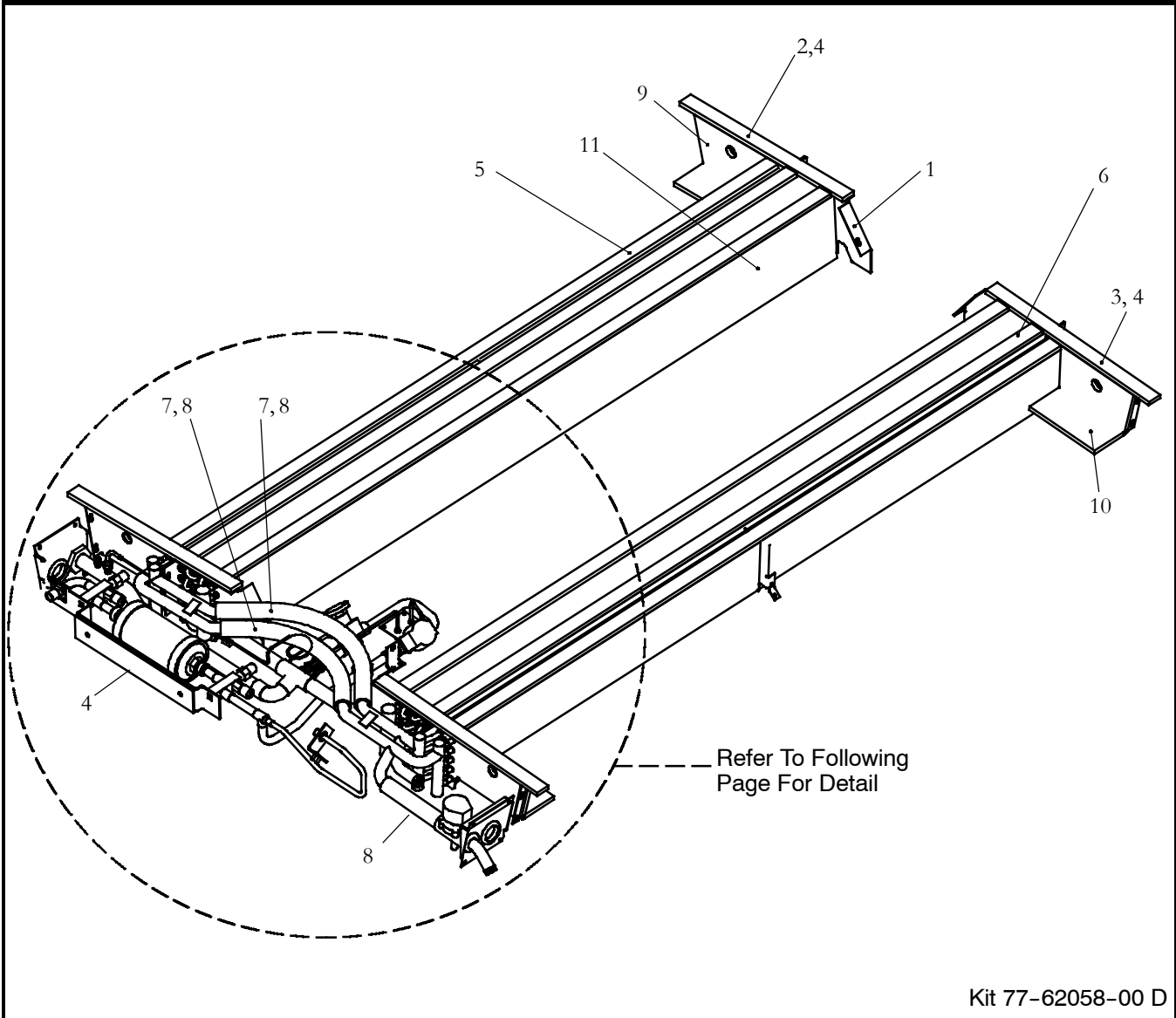
Kits 77-62057-00 D
 77-62057-01
 77-62057-02 F
 77-62057-03 G

Item	Part Number	Description	Qty
1	34-01184-06	Nut, Lock, Nylon Insert, M6	12
2	54-00584-00	Blower/Motor Assembly, (24 VDC PM - Option 1) 77-62057-00 - Includes:	6
	22-50098-77	Connector, 2 Position, Natural	1
	22-50098-77A	Terminal, Male, Tab Contact	2
2	54-00625-00	Blower/Motor Assembly, (24 VDC Brushless - Option 2) 77-62057-01 - Includes:	6
	54-00625-50	Motor, Fan, Evaporator, 24VDC, Brushless	1
	22-50098-77	Connector, 2 Position, Natural	1
	22-50098-77A	Terminal, Male, Tab Connect	2
	22-50078-63	Connector, 1 Position, Black	1
	22-02393-00	Terminal, Male (14-16 AWG)	2
2	22-50078-51E	Seal, Cable, Tan	1
	54-00584-04	Blower/Motor Assembly, (24 VDC PM - Option 4) 77-62057-03 - Includes:	6
	22-01585-00SK	Connector, Male, 2 Pin, Black	1
	22-02394-02	Seal, Cable, Green	2
2	22-02393-01	Terminal, Male (18-20 AWG)	2
	54-00625-01	Blower/Motor Assembly, (24 VDC Brushless - Option 3) 77-62057-02 - Includes:	4
	54-00626-51	Motor, Fan, Evaporator, 24 VDC, Brushless	1
	22-01585-00SK	Connector, Male, 2 Pin, Black	2
	22-02394-02	Seal, Cable, Green	2
	22-50078-63	Connector, 1 Position, Black	1
	22-02393-00	Terminal, Male (14-16 AWG)	3
22-50078-51E	Seal, Cable, Tan	1	
3	68-62967-00	Bracket, Blower Mounting	12
4	34-00944-06	Washer, Flat. (M6)	12



12 EVAPORATOR - REFRIGERATION KIT

12.1 Evaporator - Refrigeration Kit, 100 Series - Option 1

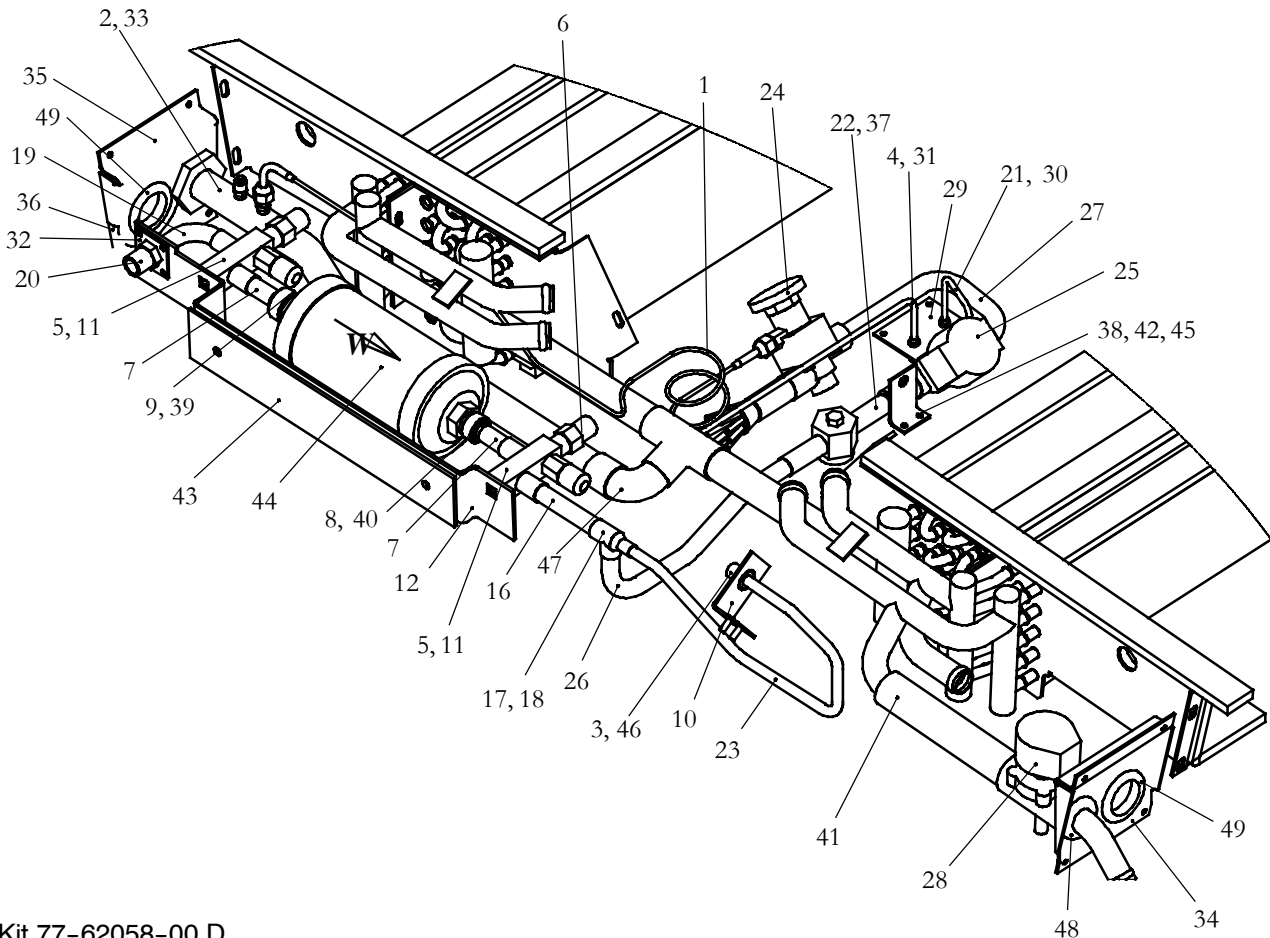


Kit 77-62058-00 D

Item	Part Number	Description	Qty
1	08-00249-00	Coil Assembly, Evaporator, (Roadside & Curbside)	1
2	08-00250-00	Coil Assembly, Heater, Evaporator, (Curbside)	1
3	08-00250-01	Coil Assembly, Heater, Evaporator, (Roadside)	1
4	34-01266-20	Screw, Hex Head, M6 X 20 MM Slotted	23
5	42-62041-01	Insulation, Evaporator, .38 Thick X 1.25 X 67.00 Inches Long	6
6	42-62041-02	Insulation, Evaporator, .38 Thick X 1.25 X 18.00 Inches Long	4
7	58-60039-30	Hose, Coolant, 25MM ID X 400mm Long	2
8	44-00045-02	Clamp, Hose, Worm Type, (11/16 - 1-1/4)	6
9	42-62044-00	Insulation, Tube Sheet, Coil, Adhesive Backed	2
10	42-62044-01	Insulation, Tube Sheet, Coil, Adhesive Backed	2
11	42-62045-00	Insulation, Coil, .75 Thick X 6.25 X 67.00 Inches Long	2



12.1 Evaporator - Refrigeration Kit, 100 Series - Option 1 (Continued)



Kit 77-62058-00 D

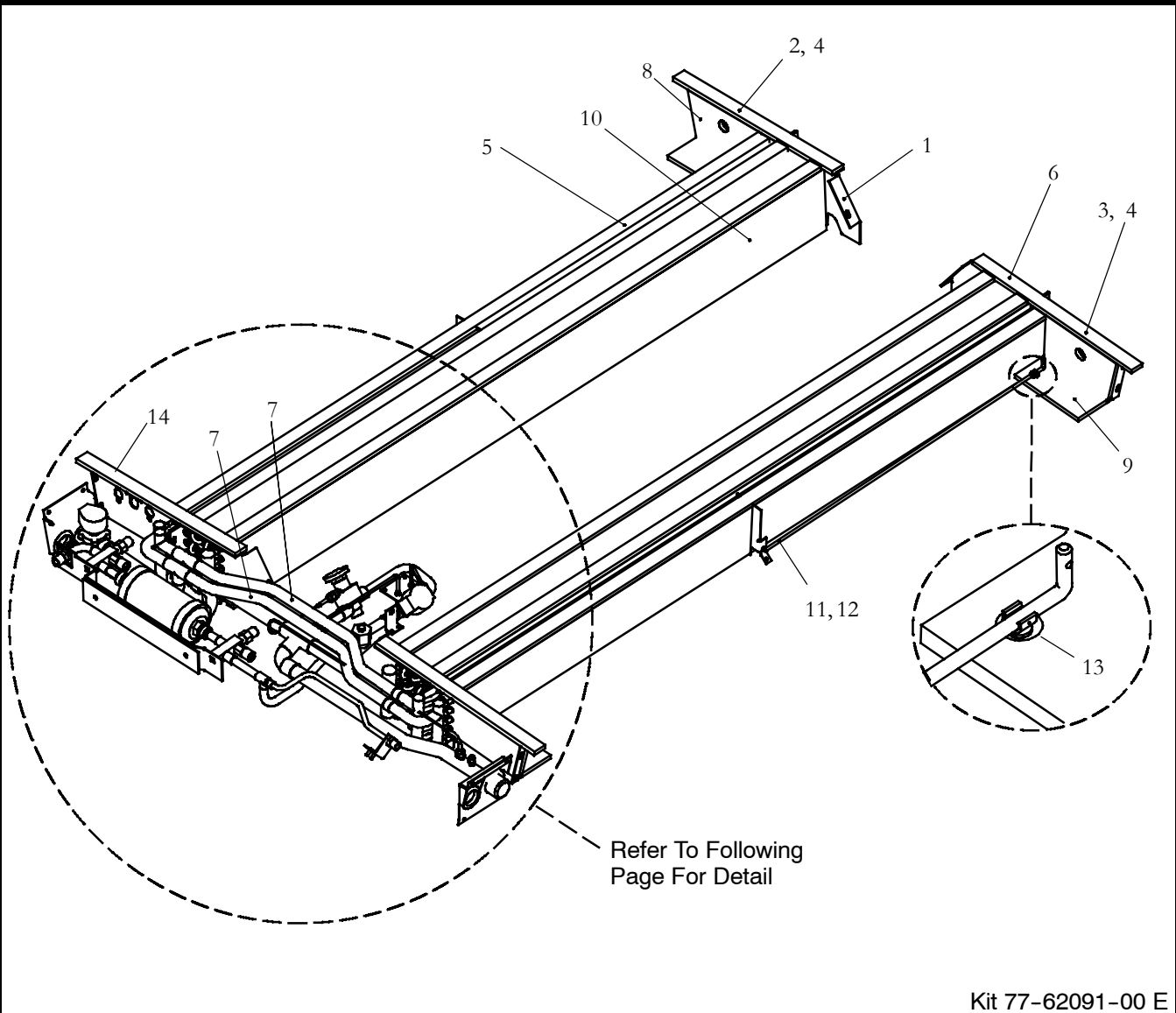
Item	Part Number	Description	Qty
1	56-62187-00	Tube Assembly, Equalizer, 1/8 OD X .030W Capillary	1
2	81-62086-00	Tube Assembly, Suction - Includes:	1
	56-62186-00	Tube, Bent, Suction, 1-1/8 OD X .050 Copper	1
	40-00491-01	Fitting, ORS, 1-1/8 X 1-11/16-12	1
	40-01124-00	Body, Valve, Schrader, Brass, 1/4 SAE Flare	2
3	40-62032-03	Fitting, Swivel Nut, 3/8	1
4	56-62181-00	Tube, Bent, Suction, 3/16 OD X .030W Copper	1
5	40-00501-03	Valve, King, Brass, 5/8 ODF	2
6	40-00501-50	Cap, King Valve, Service Part	2
7	56-00143-75	Tube, Straight, 5/8 OD X .040W Copper X 1-5/8 Inches Long	2
8	40-00503-04	Collar, Tube - 5/8 ORS, Nickel Plated Steel	1
9	40-00503-03	Collar, Tube - 5/8 ORS, Brass	1
10	68-62803-00	Bracket Assembly, Tube Support	1
11	40-00520-01	Coupling, High Pressure Side, W/Cap	2
12	68-62793-00	Bracket, Filter Drier	1
13	34-00303-04	Screw, Cap, Hex Head, 5/16-24 X 1/2 Inch Long	2
14	34-00588-12	Washer, Plain, 5/16, SAE	2
15	34-00368-12	Washer, Lock, Split, 5/16, Steel	2
16	56-00143-47	Tube, Straight, 5/8 OD X .040W Copper X 3-5/8 Inches Long	1



12.1 Evaporator - Refrigeration Kit, 100 Series - Option 1 (Continued)			
Item	Part Number	Description	Qty
17	40-00169-06	Tee, Reducing, 5/8 ODS X 1/2 ODS X 5/8 ODS	1
18	40-00090-04	Fitting, Reducer, 1/2 ODM X 3/8 ODS	1
19	56-62188-00	Tube, Bent, Liquid, 5/8 OD X .040W Copper	1
20	40-62032-01	Fitting, Swivel Nut, 5/8 X 7/8-14 F.I.O	1
21	56-62182-00	Tube, Bent, Liquid, 3/16 OD X .030W Copper	1
22	56-00143-12	Tube, Straight, 5/8 OD X .040W Copper X 2 Inches Long	1
23	56-62184-00	Tube, Bent, Liquid, 3/8 OD X .028W Copper	1
24	14-00316-00	Valve, Expansion, TXV, 5/8 ODF, (R134a)	1
25	14-00236-00	Valve, Solenoid, 5/8 ODF X 7/8 ODM, (Normally Closed) Includes:	1
	14-00236-52	Coil, Solenoid Valve, 24 VDC	1
	14-00236-51	...Repair Kit, Solenoid Valve	1
26	56-62189-00	Tube, Bent, 5/8 OD X .040W Copper	1
27	56-62183-00	Tube, Bent, Liquid, 5/8 OD X .040W Copper	1
28	14-00194-03	Valve, Solenoid, Coolant, 7/8 OD With Bead - Includes:	1
	14-01110-02	Coil, Solenoid, 24 VDC	1
29	81-62085-00	Valve Assembly, (High & Low Ports) - Includes:	1
	68-62820-00	Plate, Valve Mounting	1
	40-01124-00	Body, Valve, Schrader, Brass, 1/4 SAE Flare - Includes:	2
	14-00351-00	Core, Valve, Schrader (Nickle Plated)	2
	DD19CA061	Cap, Seal, Flare, 1/4 Inch	2
30	40-60042-01	Adapter, Valve	1
31	40-01184-00	Fitting Assembly, Low Side Adapter	1
32	68-62492-02	Plate, Support, Liquid Hose, Brass	1
33	34-06088-01	Nut, Hex Head, ORS 1-1/8 X 1.69-12, Plated Steel	1
34	68-62796-00	Bracket, Tube Support	1
35	68-62797-00	Bracket, Tube Support	1
36	68-62834-00	Bracket, Tube Support	1
37	14-00026-04	Indicator, Liquid & Moisture, 5/8 ODF	1
38	34-62021-00	Rivet, Blind, Dome Head, 3/16 Dia., Grip Range: .126 - .250	2
39	34-06121-03	Nut, Hex, ORS Braze, (1-14 Threads)	1
40	34-06121-04	Nut, Hex, ORS Braze, (1-3/16-12 Threads)	1
41	58-60039-08	Hose, Coolant, .25 MM ID X 180 MM Long	1
42	34-00373-07	Clamp, Tube, 5/8 OD, SST	1
43	68-62802-00	Plate, Backup	1
44	14-00320-00	Filter Drier, 7/8 In. ORS Inlet, 3/4 In. ORS Outlet (41 Cu. In.)-Includes:	1
	42-00243-11	O-Ring, .739 ID X .070 Thick	1
	42-00243-15	O-Ring, .864 ID X .070 Thick	1
45	68-62849-00	Bracket, Tube Support	1
46	40-62061-00	Fitting, Block off, #6 FOR	1
47	40-00072-06	Elbow, Street, 90 Degree, 3/4 ODM X 3/4 ODS	1
48	58-00065-08	Grommet, .88 ID X 1.25 Hole X .06 Inch Groove	1
49	58-00065-44	Grommet 1.38 ID X 1.62 Hole X .09 Inch Groove	2



12.2 Evaporator - Refrigeration Kit, 100 Series - Option 2

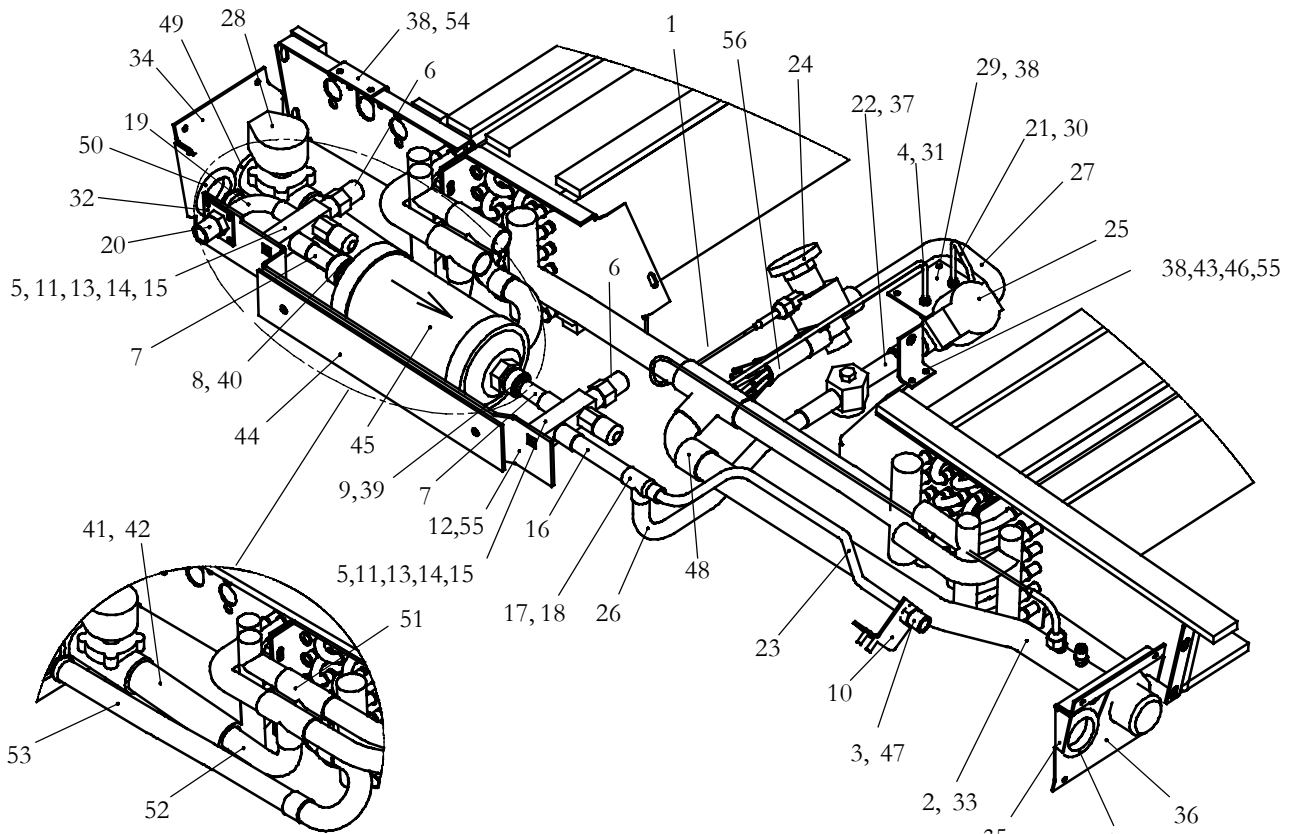


Kit 77-62091-00 E

Item	Part Number	Description	Qty
1	08-00249-00	Coil Assembly, Evaporator, (Roadside & Curbside)	1
2	08-62043-00	Coil Assembly, Heater, Evaporator, (Curbside)	1
3	08-62043-01	Coil Assembly, Heater, Evaporator, (Roadside)	1
4	34-01266-20	Screw, Hex Head, Slotted, Sems, M6 X 20 MM	23
5	42-62041-01	Insulation, Evaporator, .38 Thick X 1.25 X 67.00 Inches Long	6
6	42-62041-02	Insulation, Evaporator, .38 Thick X 1.25 X 18.00 Inches Long	4
7	56-62244-00	Tube, Liquid, 7/8 OD X .045W Copper	2
8	42-62044-00	Insulation, Tube Sheet, Coil, Adhesive Backed	2
9	42-62044-01	Insulation, Tube Sheet, Coil, Adhesive Backed	1
10	42-62045-00	Insulation, Coil, .75 Thick X 6.25 X 67.00 Inches Long	2
11	73-62005-00	Rod, Support	2
12	73-62006-00	Pin, Cotter, Hair Pin	2
13	58-62126-00	Clip, Rod Support	2
14	42-62097-00	Insulation, Tube Sheet, Coil, Adhesive Backed	1



12.2 Evaporator - Refrigeration Kit, 100 Series - Option 2 (Continued)



Note: Item 44 & its associated hardware are omitted for clarity

Kit 77-62091-00 E

Item	Part Number	Description	Qty
1	56-62187-00	Tube Assembly, Equalizer, 1/8 OD X .030W Capillary	1
2	81-62086-01	Tube Assembly, Suction - Includes:	1
	56-62186-01	Tube, Bent, Suction, 1-1/8 OD X .050 Copper	1
	40-00491-01	Fitting, ORS, 1-1/8 X 1-11/16-12	1
	40-01124-00	Body, Valve, Schrader, Brass, 1/4 SAE Flare, Includes:	2
	14-00351-00	Core, Valve, Schrader (Nickel Plated)	1
	DD19CA061	Cap, Seal, Flare, 1/4 Inch	1
3	40-62032-03	Fitting, Swivel Nut, 3/8	1
4	56-62181-00	Tube, Bent, Suction, 3/16 OD X .030W Copper	1
5	40-00501-03	Valve, King, Brass, 5/8 ODF	2
6	40-00501-50	Cap, King Valve, Service Part	2
7	56-00143-75	Tube, Straight, 5/8 OD X .040W Copper X 1-5/8 Inches Long	2
8	40-00503-04	Collar, Tube - 5/8 ORS, Nickel Plated Steel	1
9	40-00503-03	Collar, Tube - 5/8 ORS, Brass	1
10	68-62803-00	Bracket Assembly, Tube Support	1
11	40-00520-01	Coupling, High Pressure Side, W/Cap	2
12	68-62793-00	Bracket, Filter Drier	1
13	34-00303-04	Screw, Cap, Hex Head, 5/16-24 X 1/2 Inch Long	2
14	34-00588-12	Washer, Plain, 5/16, SAE	2
15	34-00368-12	Washer, Lock, Split, 5/16, Steel	2



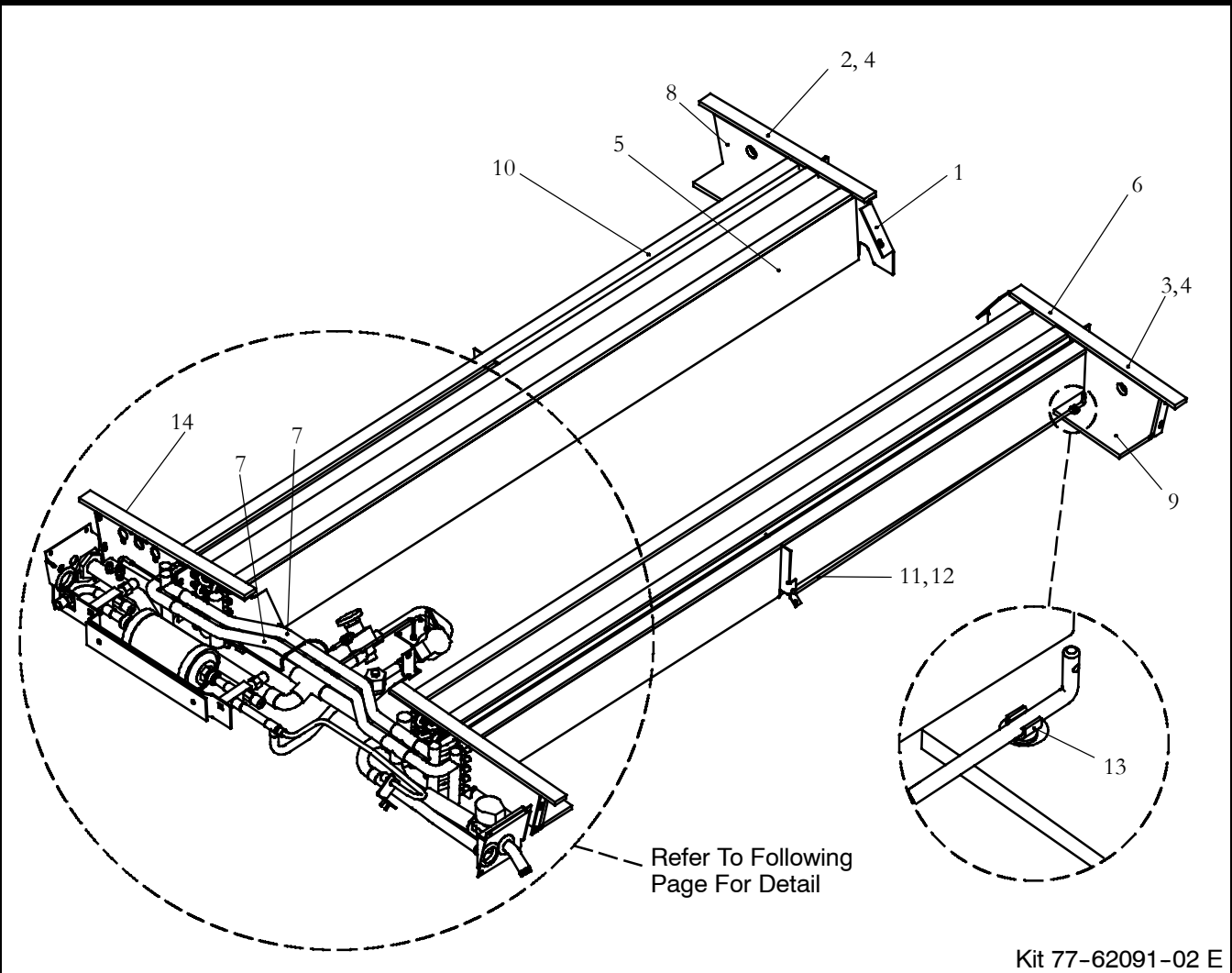
12.2 Evaporator - Refrigeration Kit, 100 Series - Option 2 (Continued)			
Item	Part Number	Description	Qty
16	56-00143-47	Tube, Straight, 5/8 OD X .040W Copper X 3-5/8 Inches Long	1
17	40-00169-06	Tee, Reducing, 5/8 ODS X 1/2 ODS X 5/8 ODS	1
18	40-00090-04	Fitting, Reducer, 1/2 ODM X 3/8 ODS	1
19	56-62188-00	Tube, Bent, Liquid, 5/8 OD X .040W Copper	1
20	40-62032-01	Fitting, Swivel Nut, 5/8 X 7/8-14 F.I.O	1
21	56-62182-00	Tube, Bent, Liquid, 3/16 OD X .030W Copper	1
22	56-00143-12	Tube, Straight, 5/8 OD X .040W Copper X 2 Inches Long	1
23	56-62284-00	Tube, Bent, Liquid, 3/8 OD X .028W Copper	1
24	14-00316-00	Valve, Expansion, TXV, 5/8 ODF, (R134a)	1
25	14-00236-00	Valve, Solenoid, 5/8 ODF, (Normally Closed) Includes:	1
	14-00236-52	Coil, Solenoid Valve, 24 VDC	1
	14-00236-51	Repair Kit, Solenoid Valve	1
26	56-62189-00	Tube, Bent, 5/8 OD X .040W Copper	1
27	56-62183-00	Tube, Bent, Liquid, 5/8 OD X .040W Copper	1
28	14-00194-03	Valve, Solenoid, Coolant, 7/8 OD With Bead - Includes:	1
	14-01110-02	Coil, Solenoid, 24 VDC	1
29	81-62085-00	Valve Assembly, (High & Low Ports) - Includes:	1
	68-62820-00	Plate, Valve Mounting	1
	40-01124-00	Body, Valve, Schrader, Brass, 1/4 SAE Flare, Includes:	2
	14-00351-00	Core, Valve, Schrader (Nickel Plated)	1
	DD19CA061	Cap, Seal, Flare, 1/4 Inch	1
30	40-60042-01	Adapter, Valve	1
31	40-01184-00	Fitting Assembly, Low Side Adapter	1
32	68-62492-02	Plate, Support, Liquid Hose, Brass	1
33	34-06088-01	Nut, Hex Head, ORS 1-1/8 X 1.69-12, Plated Steel	1
34	68-62796-00	Bracket, Tube Support	1
35	68-62797-00	Bracket, Tube Support	1
36	86-62319-00	Bracket, Tube Support	1
37	14-00026-04	Indicator, Liquid & Moisture, 5/8 ODF	1
38	34-62021-00	Rivet, Blind, Dome Head, 3/16 Dia., Grip Range: .126 - .250	8
39	34-06121-03	Nut, Hex, ORS Braze, (1-14 Threads)	1
40	34-06121-04	Nut, Hex, ORS Braze, (1-3/16-12 Threads)	1
41	58-60039-08	Hose, Coolant, .25 MM ID X 180 MM Long	1
42	44-00045-02	Clamp, Hose, Worm Type, (11/16 - 1-1/4)	2
43	34-00373-07	Clamp, Tube, 5/8 OD, SST	1
44	68-62802-00	Plate, Backup	1
45	14-00320-00	Filter Drier, 7/8 In. ORS Inlet, 3/4 In. ORS Outlet, (41 Cu. In.) - Includes:	1
	42-00243-11	O-Ring, .739 ID X .070 Thick	1
	42-00243-15	O-Ring, .864 ID X .070 Thick	1
46	68-62849-00	Bracket, Tube Support	1
47	40-62061-00	Fitting, Block off, #6 FOR	1
48	40-00072-09	Elbow, Street, 90 Degree, 1-1/8 ODM X 1-1/8 ODS	1
49	58-00065-08	Grommet, .88 ID X 1.25 Hole X .06 Inch Groove	1
50	58-00065-44	Grommet 1.38 ID X 1.62 Hole X .09 Inch Groove	2



12.2 Evaporator - Refrigeration Kit, 100 Series - Option 2 (Continued)			
Item	Part Number	Description	Qty
51	40-00168-07	Tee, 7/8 ODS	2
52	56-62246-00	Tube, Liquid, 7/8 OD, X .045W Copper	1
53	81-62118-01	Tube Assembly, Heater, 7/8 OD X .045W Copper	1
54	68-63250-00	Bracket, Tube Support	1
55	34-06051-104	Rivnut, M6 x 1 (.028 - .165) Steel	3
56	56-62286-00	Tube, Straight, 7/8 OD x .045W Copper x 2 Inch Long	1



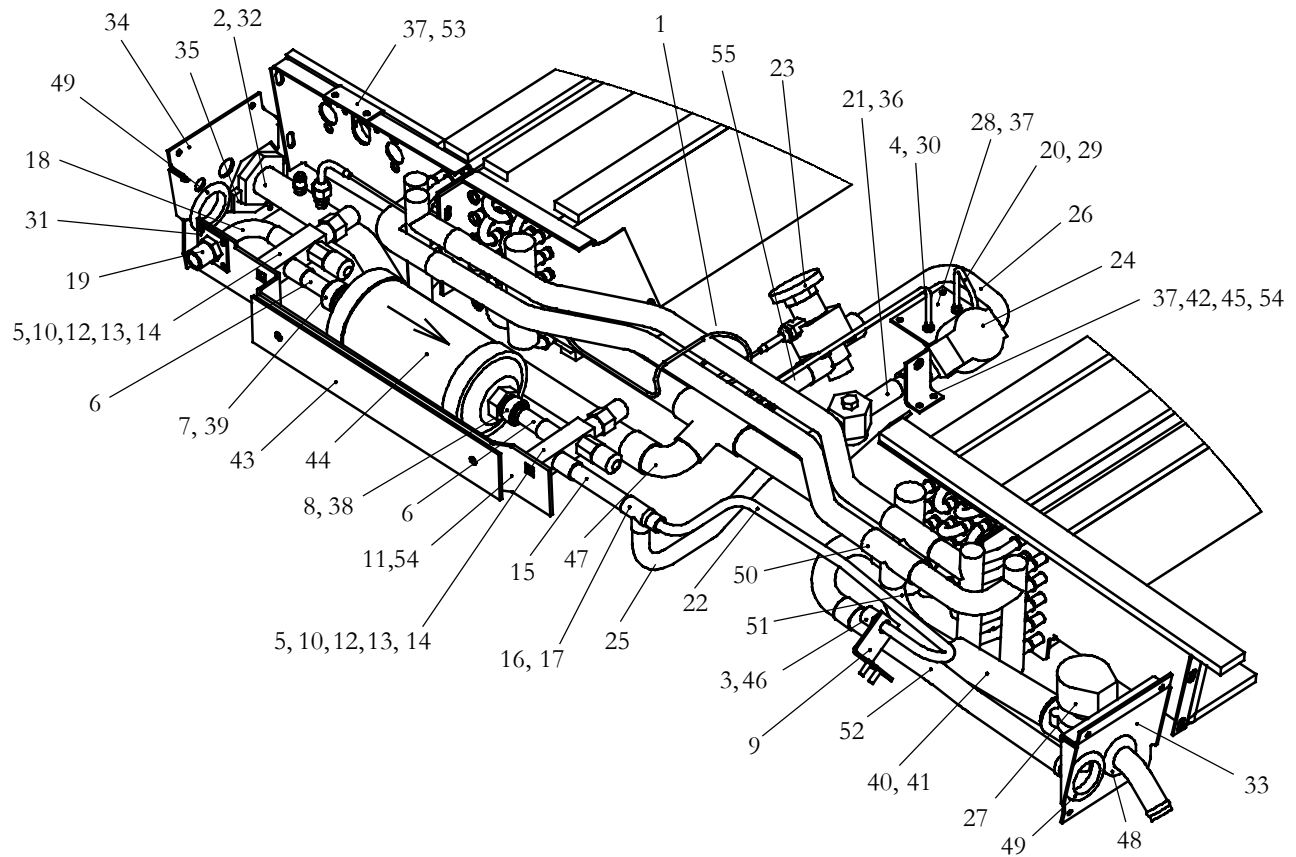
12.3 Evaporator - Refrigeration Kit, 100 Series - Option 3



Item	Part Number	Description	Qty
1	08-00249-00	Coil Assembly, Evaporator, (Roadside & Curbside)	1
2	08-62043-00	Coil Assembly, Heater, Evaporator, (Curbside)	1
3	08-62043-01	Coil Assembly, Heater, Evaporator, (Roadside)	1
4	34-01266-20	Screw, Hex Head, Slotted, Sems, M6 X 20 MM	23
5	42-62041-01	Insulation, Evaporator, .38 Thick X 1.25 X 67.00 Inches Long	6
6	42-62041-02	Insulation, Evaporator, .38 Thick X 1.25 X 18.00 Inches Long	4
7	56-62244-01	Tube, Liquid, 7/8 OD X .045W Copper	2
8	42-62044-00	Insulation, Tube Sheet, Coil, Adhesive Backed	2
9	42-62044-01	Insulation, Tube Sheet, Coil, Adhesive Backed	1
10	42-62045-00	Insulation, Coil, .75 Thick X 6.25 X 67.00 Inches Long	2
11	73-62005-00	Rod, Support	2
12	73-62006-00	Pin, Cotter, Hair Pin	2
13	58-62126-00	Clip, Rod Support	2
14	42-62097-00	Insulation, Tube Sheet, Coil, Adhesive Backed	1



12.3 Evaporator - Refrigeration Kit, 100 Series - Option 3 (Continued)



Kit 77-62091-02 E

Item	Part Number	Description	Qty
1	56-62187-00	Tube Assembly, Equalizer, 1/8 OD X .030W Capillary	1
2	81-62086-00	Tube Assembly, Suction - Includes:	1
	56-62186-00	Tube, Bent, Suction, 1-1/8 OD X .050 Copper	1
	40-00491-01	Fitting, ORS, 1-1/8 X 1-11/16-12	1
	40-01124-00	Body, Valve, Schrader, Brass, 1/4 SAE Flare, Includes:	2
	14-00351-00	Core, Valve, Schrader (Nickel Plated)	1
	DD19CA061	Cap, Seal, Flare, 1/4 Inch	1
3	40-62032-03	Fitting, Swivel Nut, 3/8	1
4	56-62181-00	Tube, Bent, Suction, 3/16 OD X .030W Copper	1
5	40-00501-03	Valve, King, Brass, 5/8 ODF	2
	40-00501-50	Cap, King Valve, Service Part	2
6	56-00143-75	Tube, Straight, 5/8 OD X .040W Copper X 1-5/8 Inches Long	2
7	40-00503-04	Collar, Tube - 5/8 ORS, Nickel Plated Steel	1
8	40-00503-03	Collar, Tube - 5/8 ORS, Brass	1
9	68-62803-00	Bracket Assembly, Tube Support	1
10	40-00520-01	Coupling, High Pressure Side, W/Cap	2
11	68-62793-00	Bracket, Filter Drier	1
12	34-00303-04	Screw, Cap, Hex Head, 5/16-24 X 1/2 Inch Long	2
13	34-00588-12	Washer, Plain, 5/16, SAE	2
14	34-00368-12	Washer, Lock, Split, 5/16, Steel	2



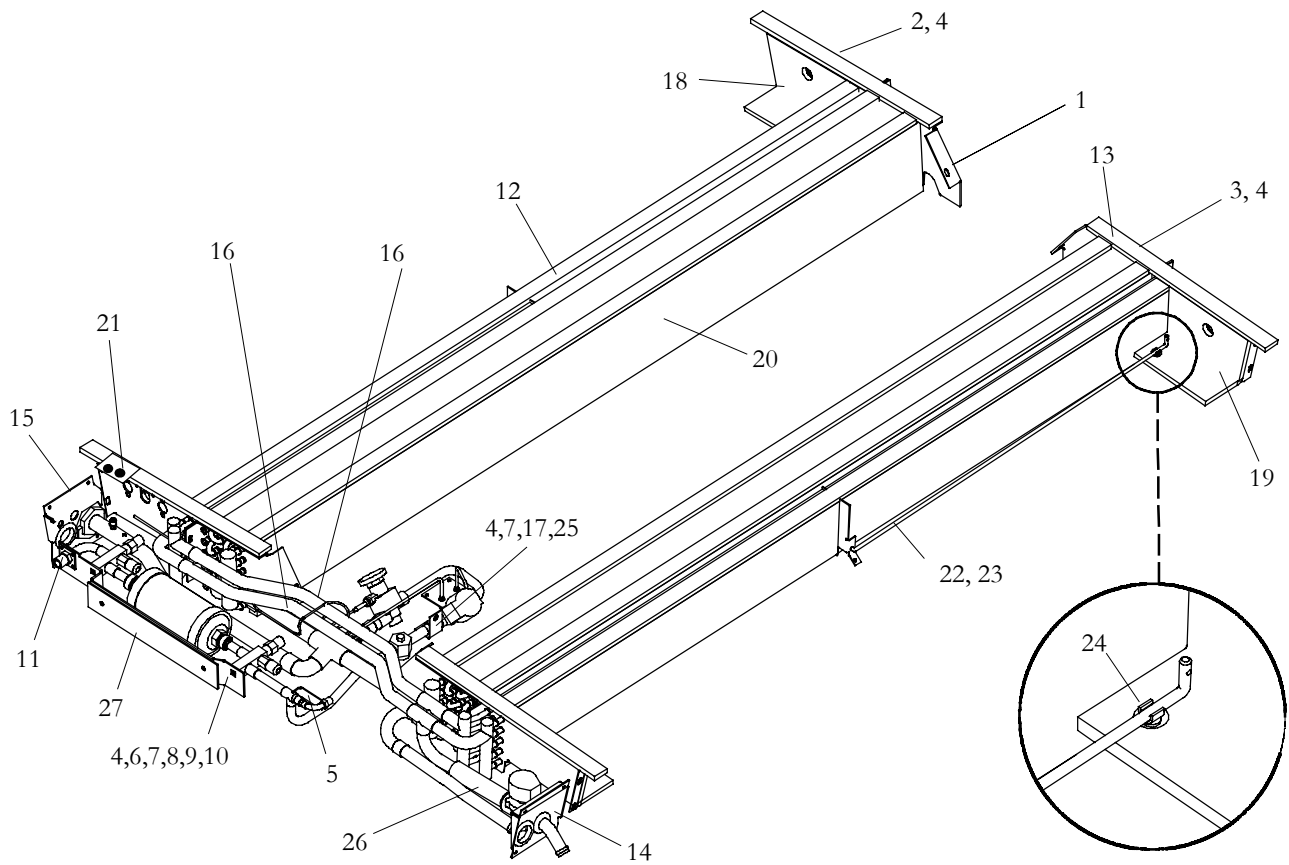
12.3 Evaporator - Refrigeration Kit, 100 Series - Option 3 (Continued)			
Item	Part Number	Description	Qty
15	56-00143-47	Tube, Straight, 5/8 OD X .040W Copper X 3-5/8 Inches Long	1
16	40-00169-06	Tee, Reducing, 5/8 ODS X 1/2 ODS X 5/8 ODS	1
17	40-00090-04	Fitting, Reducer, 1/2 ODM X 3/8 ODS	1
18	56-62188-00	Tube, Bent, Liquid, 5/8 OD X .040W Copper	1
19	40-62032-01	Fitting, Swivel Nut, 5/8 X 7/8-14 F.I.O	1
20	56-62182-00	Tube, Bent, Liquid, 3/16 OD X .030W Copper	1
21	56-00143-12	Tube, Straight, 5/8 OD X .040W Copper X 2 Inches Long	1
22	56-62251-00	Tube, Bent, Liquid, 3/8 OD X .022W Copper	1
23	14-00316-00	Valve, Expansion, TXV, 5/8 ODF, (R134a)	1
24	14-00236-00	Valve, Solenoid, 5/8 ODF, (Normally Closed) Includes:	1
	14-00236-52	Coil, Solenoid Valve, 24 VDC	1
	14-00236-51	Repair Kit, Solenoid Valve	1
25	56-62189-00	Tube, Bent, 5/8 OD X .040W Copper	1
26	56-62183-00	Tube, Bent, Liquid, 5/8 OD X .040W Copper	1
27	14-00194-03	Valve, Solenoid, Coolant, 7/8 OD With Bead - Includes:	1
	14-01110-02	Coil, Solenoid, 24 VDC	1
28	81-62085-00	Valve Assembly, (High & Low Ports) - Includes:	1
	68-62820-00	Plate, Valve Mounting	1
	40-01124-00	Body, Valve, Schrader, Brass, 1/4 SAE Flare, Includes:	2
	14-00351-00	Core, Valve, Schrader (Nickel Plated)	1
	DD19CA061	Cap, Seal, Flare, 1/4 Inch	1
29	40-60042-01	Adapter, Valve	1
30	40-01184-00	Fitting Assembly, Low Side Adapter	1
31	68-62492-02	Plate, Support, Liquid Hose, Brass	1
32	34-06088-01	Nut, Hex Head, ORS 1-1/8 X 1.69-12, Plated Steel	1
33	68-62796-01	Bracket, Tube Support	1
34	68-62797-01	Bracket, Tube Support	1
35	86-62319-01	Bracket Assembly, Tube Support	1
36	14-00026-04	Indicator, Liquid & Moisture, 5/8 ODF	1
37	34-62021-00	Rivet, Blind, Dome Head, 3/16 Dia., Grip Range: .126 - .250	8
38	34-06121-03	Nut, Hex, ORS Braze, (1-14 Threads)	1
39	34-06121-04	Nut, Hex, ORS Braze, (1-3/16-12 Threads)	1
40	58-60039-08	Hose, Coolant, .25 MM ID X 180 MM Long	1
41	44-00045-02	Clamp, Hose, Worm Type, (11/16 - 1-1/4)	2
42	34-00373-07	Clamp, Tube, 5/8 OD, SST	1
43	68-62802-00	Plate, Backup	1
44	14-00320-00	Filter Drier, 7/8 Inch ORS Inlet, 3/4 Inch ORS Outlet, (41 CUI) - Includes:	1
	42-00243-11	O-Ring, .739 ID X .070 Thick	1
	42-00243-15	O-Ring, .864 ID X .070 Thick	1
45	68-62849-00	Bracket, Tube Support	1
46	40-62061-00	Fitting, Block off, #6 FOR	1
47	40-00072-09	Elbow, Street, 90 Degree, 1-1/8 ODM X 1-1/8 ODS	1
48	58-00065-08	Grommet, .88 ID X 1.25 Hole X .06 Inch Groove	1
49	58-00065-44	Grommet 1.38 ID X 1.62 Hole X .09 Inch Groove	2



12.3 Evaporator - Refrigeration Kit, 100 Series - Option 3 (Continued)			
Item	Part Number	Description	Qty
50	40-00168-07	Tee, 7/8 ODS	2
51	56-62246-00	Tube, Liquid, 7/8 OD, X .045W Copper	1
52	81-62118-00	Tube Assembly, Heater, 7/8 OD X .045W Copper	1
53	68-63250-00	Bracket, Tube Support	1
54	34-06051-104	Rivnut, M6 x 1 (.028 - .165) Steel	3
55	56-62286-00	Tube, Straight, 7/8 OD x .045W Copper x 2 Inch Long	1



12.4 Evaporator - Refrigeration Kit, 100 Series - Option 4



Kit 77-62145-00 E

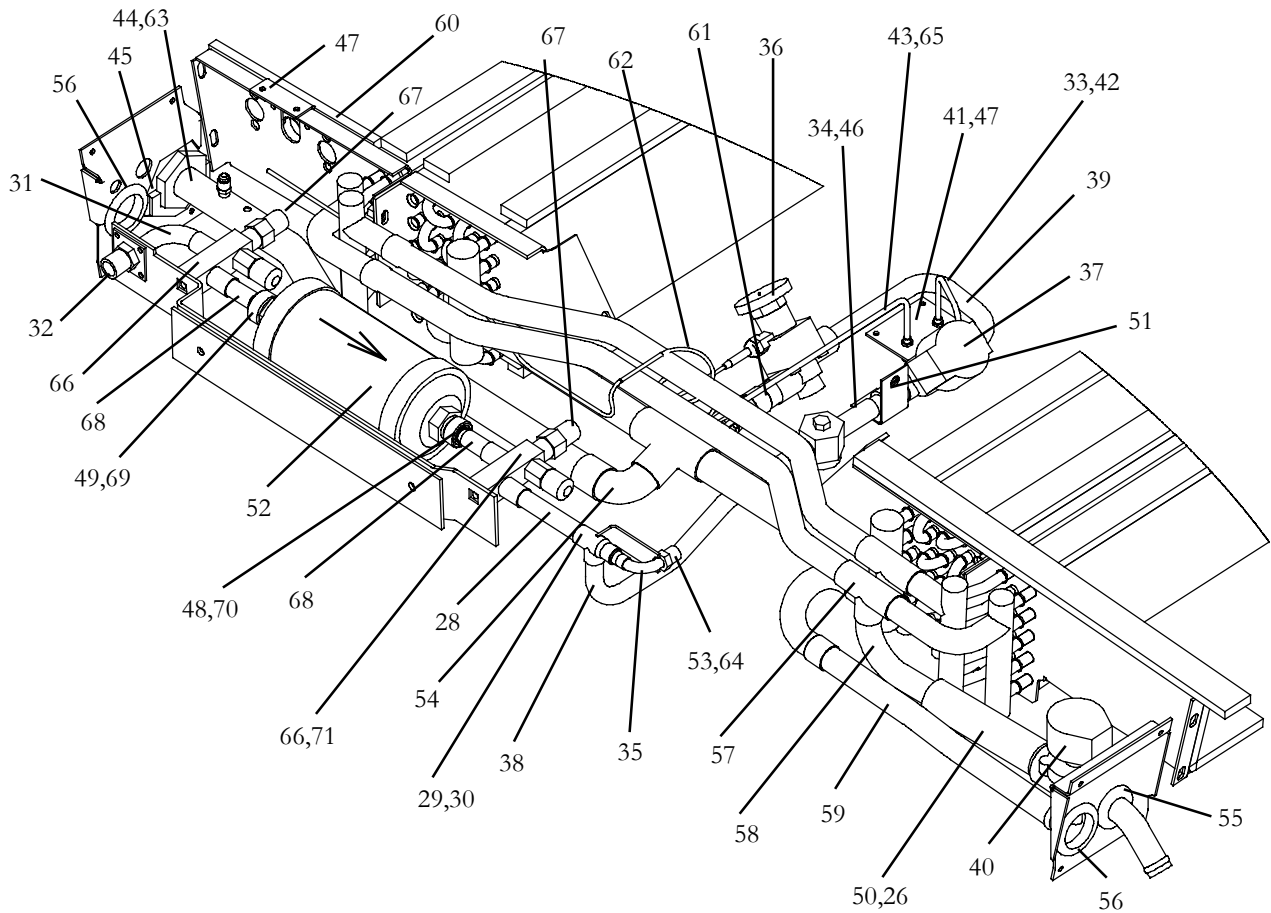
Item	Part Number	Description	Qty
1	08-00249-00	Coil Assembly, Evaporator, (Roadside & Curbside)	1
2	08-62043-00	Coil Assembly, Heater, Evaporator, (Curbside)	1
3	08-62043-01	Coil Assembly, Heater, Evaporator, (Roadside)	1
4	34-01266-20	Screw, Hex Head, Slotted, Sems, M6 X 20 MM	23
5	68-63358-00	Bracket Assembly, Tube Support	1
6	68-62793-00	Bracket, Filter Drier	1
7	34-06051-104	Rivnut, M6, Steel	3
8	34-00303-04	Screw, Cap, Hex Head, 5/16-24 X 1/2 Inch Long	2
9	34-00588-12	Washer, Plain, 5/16, SAE	2
10	34-00368-12	Washer, Lock, Split, 5/16, Steel	2
11	68-62492-02	Plate, Support, Liquid Hose, Brass	1
12	42-62041-01	Insulation, Evaporator, .38 Thick X 1.25 X 67.00 Inches Long	6
13	42-62041-02	Insulation, Evaporator, .38 Thick X 1.25 X 18.00 Inches Long	4
14	68-62796-01	Bracket, Tube Support	1
15	68-62797-01	Bracket, Tube Support	1
16	56-62244-01	Tube, Liquid, 7/8 OD, X .045W Copper	2



12.4 Evaporator - Refrigeration Kit, 100 Series - Option 4 (Continued)			
Item	Part Number	Description	Qty
17	68-63357-00	Bracket, Mounting	1
18	42-62044-00	Insulation, Tube Sheet, Coil, Adhesive Backed	2
19	42-62044-01	Insulation, Tube Sheet, Coil, Adhesive Backed	1
20	42-62045-00	Insulation, Coil, .75 Thick X 6.25 X 67.00 Inches Long	2
21	68-63250-00	Bracket, Tube Support	1
22	73-62005-00	Rod, Support	2
23	73-62006-00	Pin, Cotter, Hair Pin	2
24	58-62126-00	Clip, Rod Support	2
25	34-62021-00	Rivet, Blind, Dome Head, 3/16 Dia., Grip Range: .126 - .250	A/R
26	44-00045-02	Clamp, Hose, Worm Type, (11/16 - 1-1/4)	2
27	68-62802-00	Plate, Backup	1



12.4 Evaporator - Refrigeration Kit, 100 Series - Option 4 (Continued)



Kit 77-62145-00 E

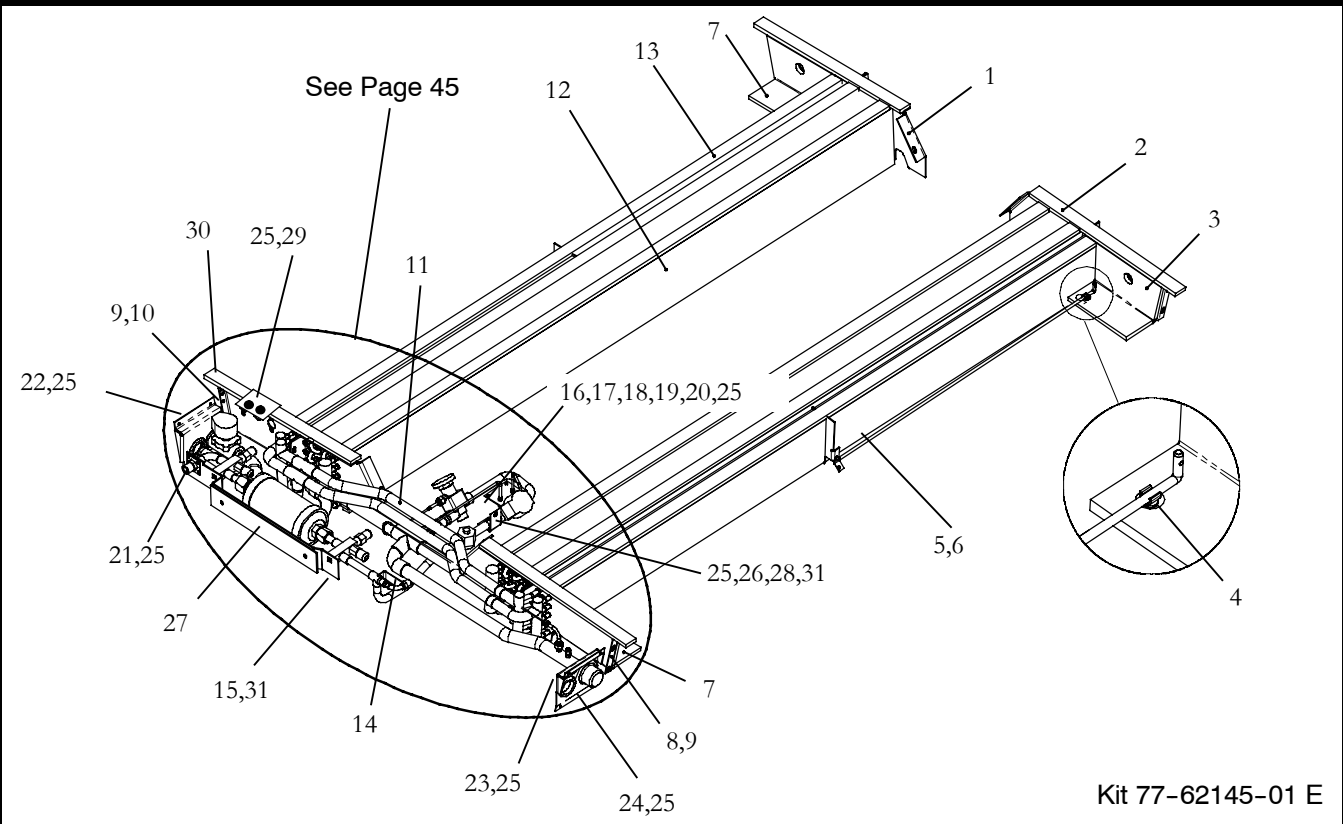
Item	Part Number	Description	Qty
28	56-00143-47	Tube, Straight, 5/8 OD X .040W Copper X 3-5/8 Inches Long	1
29	40-00169-06	Tee, Reducing, 5/8 ODS X 1/2 ODS X 5/8 ODS	1
30	40-00090-04	Fitting, Reducer, 1/2 ODM X 3/8 ODS	1
31	56-62188-00	Tube, Bent, Liquid, 5/8 OD X .040W Copper	1
32	40-62032-01	Fitting, Swivel Nut, 5/8 X 7/8-14 F.I.O	1
33	56-62182-00	Tube, Bent, Liquid, 3/16 OD X .030W Copper	1
34	56-00143-12	Tube, Straight, 5/8 OD X .040W Copper X 2 Inches Long	1
35	56-62285-00	Tube, Liquid, 3/8 OD X .022W Copper	1
36	14-00316-00	Valve, Expansion, TXV, 5/8 ODF, (R134a)	1
37	14-00236-00	Valve, Solenoid, 5/8 ODF, (Normally Closed) Includes:	1
	14-00236-52	Coil, Solenoid Valve, 24 VDC	1
	14-00236-51	Repair Kit, Solenoid Valve	1
38	56-62189-00	Tube, Bent, 5/8 OD X .040W Copper	1
39	56-62183-00	Tube, Bent, Liquid, 5/8 OD X .040W Copper	1
40	14-00194-03	Valve, Solenoid, Coolant, 7/8 OD With Bead - Includes:	1
	14-01110-02	Coil, Solenoid, 24 VDC	1



12.4 Evaporator - Refrigeration Kit, 100 Series - Option 4 (Continued)			
Item	Part Number	Description	Qty
41	81-62085-00	Valve Assembly, (High & Low Ports) - Includes:	1
	68-62820-00	Plate, Valve Mounting	1
	40-01124-00	Body, Valve, Schrader, Brass, 1/4 SAE Flare, Includes:	2
	14-00351-00	Core, Valve, Schrader (Nickel Plated)	1
	DD19CA061	Cap, Seal, Flare, 1/4 Inch	1
42	40-60042-01	Adapter, Valve	1
43	40-01184-00	Fitting Assembly, Low Side Adapter	1
44	34-06088-01	Nut, Hex Head, ORS 1-1/8 X 1.69-12, Plated Steel	1
45	86-62319-01	Bracket Assembly, Tube Support	1
46	14-00026-04	Indicator, Liquid & Moisture, 5/8 ODF	1
47	34-62021-00	Rivet, Blind, Dome Head, 3/16 Dia., Grip Range: .126 - .250	A/R
48	34-06121-03	Nut, Hex, ORS Braze, (1-14 Threads)	1
49	34-06121-04	Nut, Hex, ORS Braze, (1-3/16-12 Threads)	1
50	58-60039-08	Hose, Coolant, .25 MM ID X 180 MM Long	1
51	34-00373-07	Clamp, Tube, 5/8 OD, SST	1
52	14-00320-00	Filter Drier, 7/8 Inch ORS Inlet, 3/4 Inch ORS Outlet, (41 Cu. In.) Includes:	1
	42-00243-11	O-Ring, .739 ID X .070 Thick	1
	42-00243-15	O-Ring, .864 ID X .070 Thick	1
53	40-62061-00	Fitting, Block off, #6 FOR	1
54	40-00072-09	Elbow, Street, 90 Degree, 1-1/8 ODM X 1-1/8 ODS	1
55	58-00065-08	Grommet, .88 ID X 1.25 Hole X .06 Inch Groove	1
56	58-00065-44	Grommet 1.38 ID X 1.62 Hole X .09 Inch Groove	2
57	40-00168-07	Tee, 7/8 ODS	2
58	56-62246-00	Tube, 7/8 OD X .45 W Copper	1
59	81-62118-00	Tube Assembly, Heater, 7/8 OD X .045W Copper	1
60	42-62097-00	Insulation, Tube Sheet, Coil, Adhesive Backed	1
61	56-62286-00	Tube, Liquid, 7/8 OD X .045 W Copper x 2 Inch Long	1
62	56-62187-00	Tube Assembly, Equalizer, 1/8 OD X .030W Capillary	1
63	81-62086-00	Tube Assembly, Suction - Includes:	1
	56-62186-00	Tube, Bent, Suction, 1-1/8 OD X .050 Copper	1
	40-00491-01	Fitting, ORS, 1-1/8 X 1-11/16-12	1
	40-01124-00	Body, Valve, Schrader, Brass, 1/4 SAE Flare, Includes:	2
	14-00351-00	Core, Valve, Schrader (Nickel Plated)	1
	DD19CA061	Cap, Seal, Flare, 1/4 Inch	1
64	40-62032-03	Fitting, Swivel Nut, 3/8	1
65	56-62181-00	Tube, Bent, Suction, 3/16 OD X .030W Copper	1
66	40-00501-03	Valve, King, Brass, 5/8 ODF	2
67	40-00501-50	Cap, King Valve, Service Part	2
68	56-00143-75	Tube, Straight, 5/8 OD X .040W Copper X 1-5/8 Inches Long	2
69	40-00503-04	Collar, Tube - 5/8 ORS, Nickel Plated Steel	1
70	40-00503-03	Collar, Tube - 5/8 ORS, Brass	1
71	40-00520-01	Coupling, High Pressure Side, W/Cap	2



12.5 Evaporator - Refrigeration Kit, 100 Series - Option 5



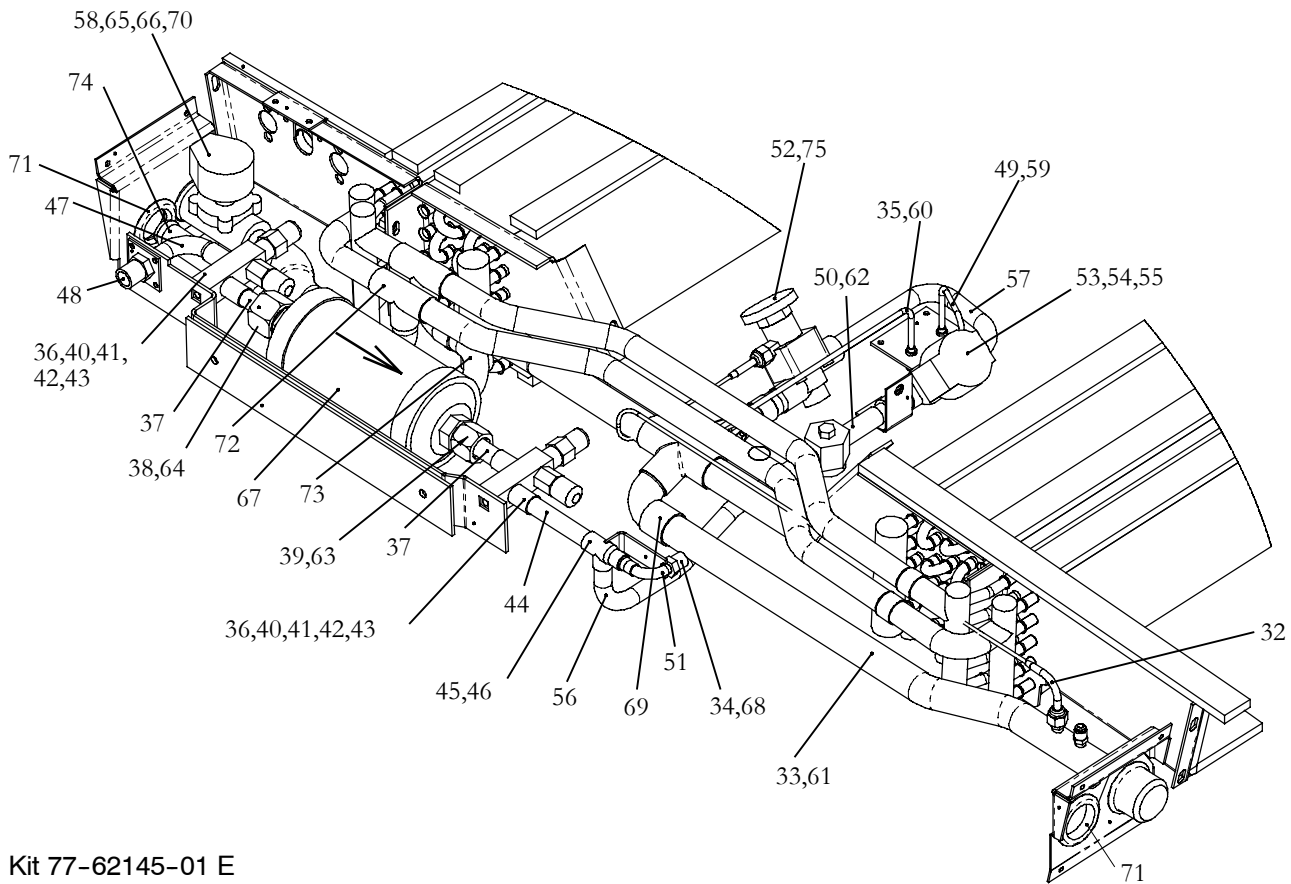
Kit 77-62145-01 E

12.5 Evaporator - Refrigeration Kit, 100 Series - Option 5 (Continued)

Item	Part Number	Description	Qty
1	08-00249-00	Coil Assembly, Evaporator	1
2	42-62041-02	Insulation, Evaporator, .38 Thick x 1.25 x 18.00 Inches Long	4
3	42-62044-01	Insulation, Tube Sheet, Coil, Adhesive Backed	1
4	58-62126-00	Clip, Rod Support	2
5	73-62006-00	Pin, Cotter, Hair Pin	2
6	73-62005-00	Rod, Support	2
7	42-62044-00	Insulation, Tube Sheet, Coil, Adhesive Backed	2
8	08-62043-01	Coil Assembly, Heater, Evaporator	1
9	34-01266-20	Screw, Hex Head, Slotted, Sems, M6 x 20MM	23
10	08-62043-00	Coil Assembly, Heater, Evaporator	1
11	56-62244-00	Tube, Liquid, Bent, 7/8 OD x .045W Copper	2
12	42-62045-00	Insulation, Coil, .75 Thick x 6.25 x 67.00 Inches Long	2
13	42-62041-01	Insulation, Evaporator, .38 Thick x 1.25 x 67.00 Inches Long	6
14	68-63358-00	Bracket, Tube Support, Brass	1
15	68-62793-00	Bracket, Filter Drier	1
16	81-62085-00	Valve Assembly, Hi & Low Ports - Includes:	1
17	68-62820-00	Plate, Valve Mounting	1
18	40-01124-00	Body, Valve, Schrader, Brass 1/4 SAE Flare - Includes:	2
19	14-00351-00	Core, Valve, Schrader (Nickel Plated)	1
20	DD19CA061	Cap, Seal, Flare, 1/4 Inch	1
21	68-62492-02	Plate, Support, Liquid Hose, Brass	1
22	68-62796-01	Bracket, Tube Support	1



12.5 Evaporator - Refrigeration Kit, 100 Series - Option 5 (Continued)



Kit 77-62145-01 E

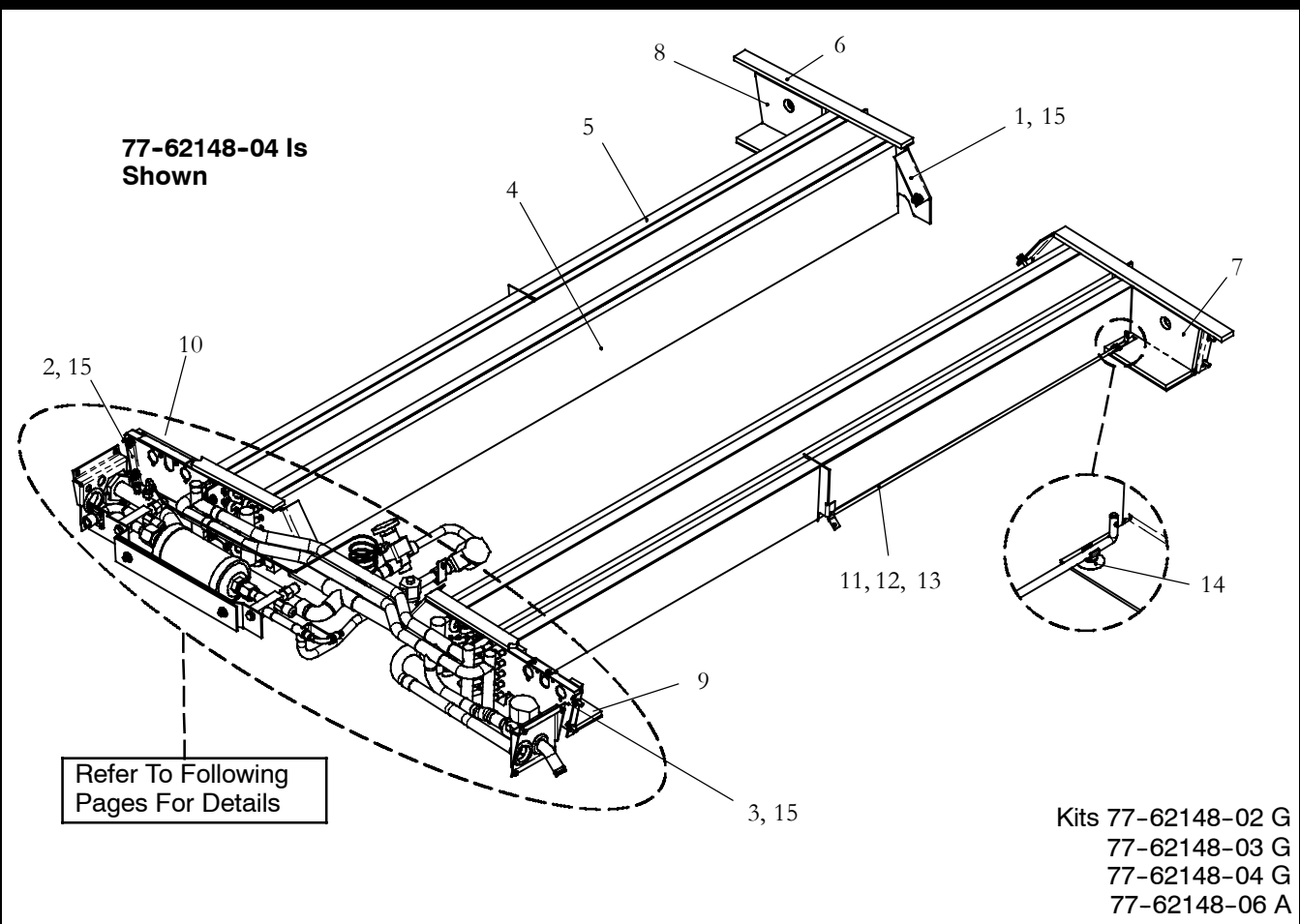
Item	Part Number	Description	Qty
23	68-62797-00	Bracket, Tube Support	1
24	86-62319-00	Bracket Assembly, Tube Support	1
25	34-62021-00	Rivet, Blind, Dome Head, 3/16 Dia., Grip Range: ,126-.250	20
26	34-00373-07	Clamp,Tube, 5/8 OD, SST	1
27	68-62802-00	Plate, Backup	1
28	68-63357-00	Bracket, Tube Support	1
29	68-63250-00	Bracket, Tube Support	1
30	42-62097-00	Insulation, Tube Sheet, Coil, Adhesive Backed	1
31	34-06051-104	Rivnut, M6 x 1 (.028 - .165) Steel	3
32	56-62187-00	Tube Assembly, Equalizer, 1/8 OD x .030W Capillary	1
33	81-62086-00	Tube Assembly, Suction - Includes:	1
	56-62186-01	Tube, Bent, Suction, 1-1/8OD x .050W Copper	1
	40-00491-01	Fitting, ORS, 1-1/8 x 1 11/16-12	1
	40-01124-00	Body, Valve, Schrader, Brass 1/4 SAE Flare - Includes:	2
	14-00351-00	Core, Valve, Schrader (Nickel Plated)	1
	DD19CA061	Cap, Seal, Flare, 1/4 Inch	1
34	40-62032-03	Fitting, Swivel Nut, 3/8	1
35	56-62181-00	Tube, Bent, Suction, 3/16 OD x .030W Copper	1



12.5 Evaporator - Refrigeration Kit, 100 Series - Option 5 (Continued)			
Item	Part Number	Description	Qty
36	40-00501-03	Valve, King, Brass, 5/8 ODF - Includes:	2
	40-00501-50	...Cap, King Valve, Service Part	1
37	56-00143-75	Tube, Straight, 5/8 OD x .040W Copper x 1-5/8 Inches Long	2
38	40-00503-04	Collar, Tube - 5/8 ORS, Nickel Plated Steel	1
39	40-00503-03	Collar, Tube - 5/8 ORS, Brass	1
40	40-00520-01	Coupling, High Pressure Side W/Cap	2
41	34-00303-04	Screw, Cap, Hex Head, 5/16-24 x 1/2 Inch Long	2
42	34-00588-12	Washer, Plain, 5/16, SAE	2
43	34-00368-12	Washer, Lock, Split, 5/16, Steel	2
44	56-00143-47	Tube, Straight, 5/8 OD x .040W Copper x 3-5/8 Inches Long	1
45	40-00169-06	Tee, Reducing, 5/8 ODS x 1/2 ODS x 5/8 ODS	1
46	40-00090-04	Fitting, Reducer, 1/2 ODM x 3/8 ODS	1
47	56-62188-00	Tube, Bent, Liquid, 5/8 OD x .040W Copper	1
48	40-62032-01	Fitting, Swivel Nut, 5/8 x 7/8-14 F.I.O.	1
49	56-62182-00	Tube, Bent, Liquid, 3/16 OD x .030W Copper	1
50	56-00143-12	Tube, Straight, 5/8 OD x .040W Copper x2 Inches Long	1
51	56-62285-00	Tube, Bent, Liquid, 3/8 OD x .022W Copper	1
52	14-00316-00	Valve, Expansion, TXV, 5/8 ODF (R-134a)	1
53	14-00236-00	Valve, Solenoid, 5/8 ODF x 7/8 ODM - Includes:	1
54	14-00236-52	Coil, Solenoid Valve, 24 VDC	1
55	14-00236-51	Repair Kit, Solenoid Valve	1
56	56-62189-00	Tube, Bent, 5/8 OD x .040W Copper	1
57	56-62183-00	Tube, Bent, Liquid, 5/8 OD x .040W Copper	1
58	14-00194-03	Valve, Solenoid, Coolant, 7/8 OD With Bead - Includes:	1
	14-01110-02	Coil, Solenoid, 24VDC	1
59	40-60042-01	Adapter, Valve	1
60	40-01184-00	Fitting Assembly, Low Side Adapter	1
61	34-06088-01	Nut, Hex Head, ORS 1-1/8 x 1.69-12, Plated Steel	1
62	14-00026-04	Indicator, Liquid & Moisture, 5/8 ODF	1
63	34-06121-03	Nut, Hex, ORS Braze (1-14 Threads)	1
64	34-06121-04	Nut, Hex, ORS Braze (1-3/16-12 Threads)	1
65	58-60039-08	Hose, Coolant, .25MM ID x 180MM Long	1
66	44-00045-02	Clamp, Hose, Worm Type (11/16 - 1-1/4)	2
67	14-00320-00	Filter Drier, 7/8" ORS Inlet, 3/4" ORS Outlet (41 Cu. In.) - Includes:	1
	42-00243-11	O-Ring, .739 ID x .070 Thick	1
	42-00243-15	O-Ring, .864 ID x .070 Thick	1
68	40-62061-00	Fitting, Block off, #6	1
69	40-00072-09	Elbow, Street, 90 Degree, 1-1/8 ODM x 1-1/8 ODS	1
70	58-00065-08	Grommet, .88 ID x 1.25 Hole, .06 Inch Groove	1
71	58-00065-44	Grommet, 1.38 ID x 1.62 Hole, .09 Inch Groove	2
72	40-00168-07	Tee, 7/8 ODS	2
73	56-62246-00	Tube, Liquid, 7/8 OD x .045W Copper	1
74	81-62118-00	Tube Assembly, Heater, 7/8 OD x .045W Copper	1
75	56-62286-00	Tube, Straight, 7/8 OD x .045W Copper x 2 Inches Long	1



12.6 Evaporator - Refrigeration Kit, 101 Series - Common Parts



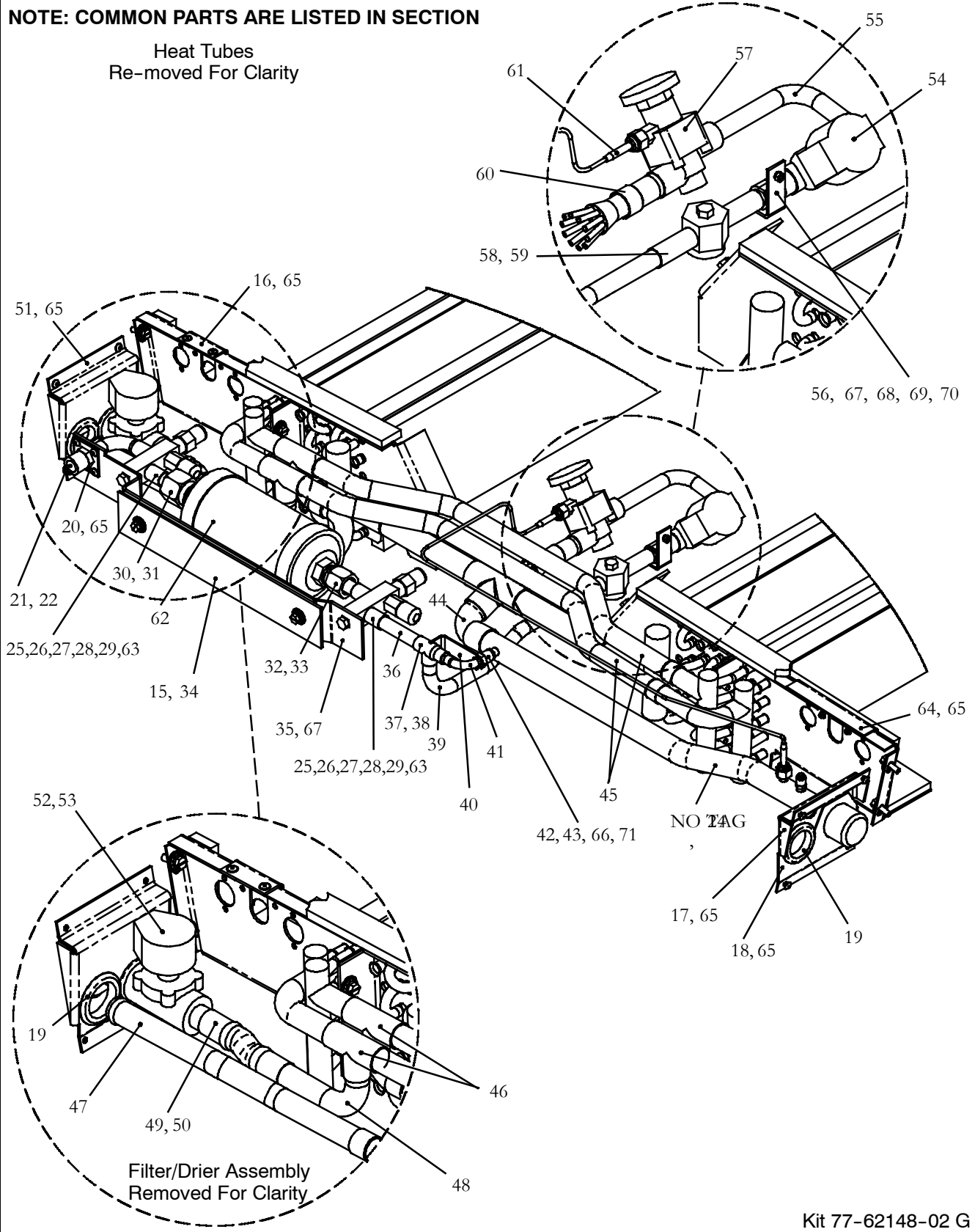
Item	Part Number	Description	Qty
1	08-00249-00	Coil Assembly, Evaporator (Prior To Serial Number KNT90890980)	1
	08-62071-00	Coil Assembly, Evaporator (Beginning With Serial Number KNT90890980)	
2	08-62043-00	Coil Assembly, Heater, Evaporator	1
3	08-62043-01	Coil Assembly, Heater, Evaporator	1
4	42-62045-00	Filter, Fresh Air, .75 Thick x 6.25 x 67.00 Inches Long	2
5	42-00221-17	Gasket, Foam, 1.25 Thick X 1.00 X 67.00 Inches, Adhesive Backed	4
6	42-00221-13	Gasket, Foam, 1.25 Thick X 1.00 X 18.00 Inches, Adhesive Backed	4
7	42-62106-01	Insulation, Tube Sheet, Neoprene, Adhesive Backed	1
8	42-62106-02	Insulation, Tube Sheet, Neoprene, Adhesive Backed	1
9	42-62106-03	Insulation, Tube Sheet, Neoprene, Adhesive Backed (-03 Only)	1
	42-62106-04	Insulation, Tube Sheet, Neoprene, Adhesive Backed (-04 & -06 Only)	
10	42-62106-00	Insulation, Tube Sheet, Neoprene, Adhesive Backed (-03 Only)	1
	42-62106-05	Insulation, Tube Sheet, Neoprene, Adhesive Backed (-04 & -06 Only)	
11	73-62005-02	Rod, Support	1
12	73-62005-00	Rod, Support	1
13	73-62006-00	Pin, Cotter, Hair Pin	2
14	58-62126-00	Clip, Rod Support	2
15	34-01266-20	Screw, Hex Head, Slotted, Sems, M6 x 20MM	22



12.7 Evaporator - Refrigeration Kit, 101 Series - Option 6

NOTE: COMMON PARTS ARE LISTED IN SECTION

Heat Tubes
Re-removed For Clarity



Kit 77-62148-02 G



12.7 Evaporator - Refrigeration Kit, 101 Series - Option 6 (Continued)			
Item	Part Number	Description	Qty
16	68-63250-00	Bracket, Tube Support	1
17	68-62797-00	Bracket, Tube Support	1
18	86-62319-00	Bracket Assembly, Tube Support	1
19	58-00065-44	Grommet, 1.38 ID x 1.62 Hole, .09 Inch Groove	2
20	68-62492-02	Plate, Support, Liquid Hose, Brass	1
21	40-62032-01	Fitting, Swivel Nut, 5/8 X 7/8-14 M.I.O.	1
22	56-62188-00	Tube, Bent, Liquid, 5/8 OD x .040W Copper	1
23	81-62086-01	Tube Assembly, Suction - Includes:	1
	56-62186-01	Tube, Bent, Suction, 1-1/8OD x .050W Copper	1
	40-00491-01	Fitting, ORS, 1-1/8 x 1 11/16-12	1
	40-01124-00	Body, Valve, Schrader, Brass 1/4 SAE Flare - Includes:	2
	14-00351-00	Core, Valve, Access (Nickel Plated)	1
	DD19CA061	Cap, Seal, Flare, 1/4 Inch	1
24	34-06088-01	Nut, Hex Head, ORS 1-1/8 x 1.69-12, Plated Steel	1
25	40-00501-03	Valve, King, Brass, 5/8 ODF - Includes:	2
	40-00501-50	...Cap, King Valve, Service Part	1
26	40-00520-01	Coupling, High Pressure Side W/Cap	2
27	34-00303-04	Screw, Cap, Hex Head, 5/16-24 x 1/2 Inch Long	2
28	34-00588-12	Washer, Plain, 5/16, SAE	2
29	34-00368-12	Washer, Lock, Split, 5/16, Steel	2
30	40-00503-04	Collar, Tube - 5/8 ORS, Nickel Plated Steel	1
31	34-06121-04	Nut, Hex, ORS Braze (1-3/16-12 Threads)	1
32	40-00503-03	Collar, Tube - 5/8 ORS, Brass	1
33	34-06121-03	Nut, Hex, ORS Braze (1-14 Threads)	1
34	68-62802-00	Plate, Backup	1
35	68-62793-00	Bracket, Filter Drier	1
36	56-00143-104	Tube, Straight, 5/8 OD x .040W Copper x 3.17 Inches Long	1
37	40-00169-06	Tee, Reducing, 5/8 ODS x 1/2 ODS x 5/8 ODS	1
38	40-00090-04	Fitting, Reducer, 1/2 ODM x 3/8 ODS	1
39	56-62189-02	Tube, Bent, 5/8 OD x .040W Copper	1
40	68-63358-00	Bracket, Tube Support, Brass	1
41	56-62285-00	Tube, Bent, Liquid, 3/8 OD x .022W Copper	1
42	40-62032-03	Fitting, Swivel Nut, 3/8	1
43	40-62061-00	Fitting, Blockoff, #6	1
44	40-00072-09	Elbow, Street, 90 Degree, 1-1/8 ODM x 1-1/8 ODS	1
45	56-62244-00	Tube, Liquid, 7/8 OD x .045W Copper	2
46	40-00168-07	Tee, 7/8 ODS	2
47	81-62118-01	Tube Assembly, Heater, 7/8 OD x .045W Copper	1
48	56-62246-00	Tube, Liquid, 7/8 OD x .045W Copper	2
49	58-60039-08	Hose, Coolant, .25MM ID x 180MM Long	1

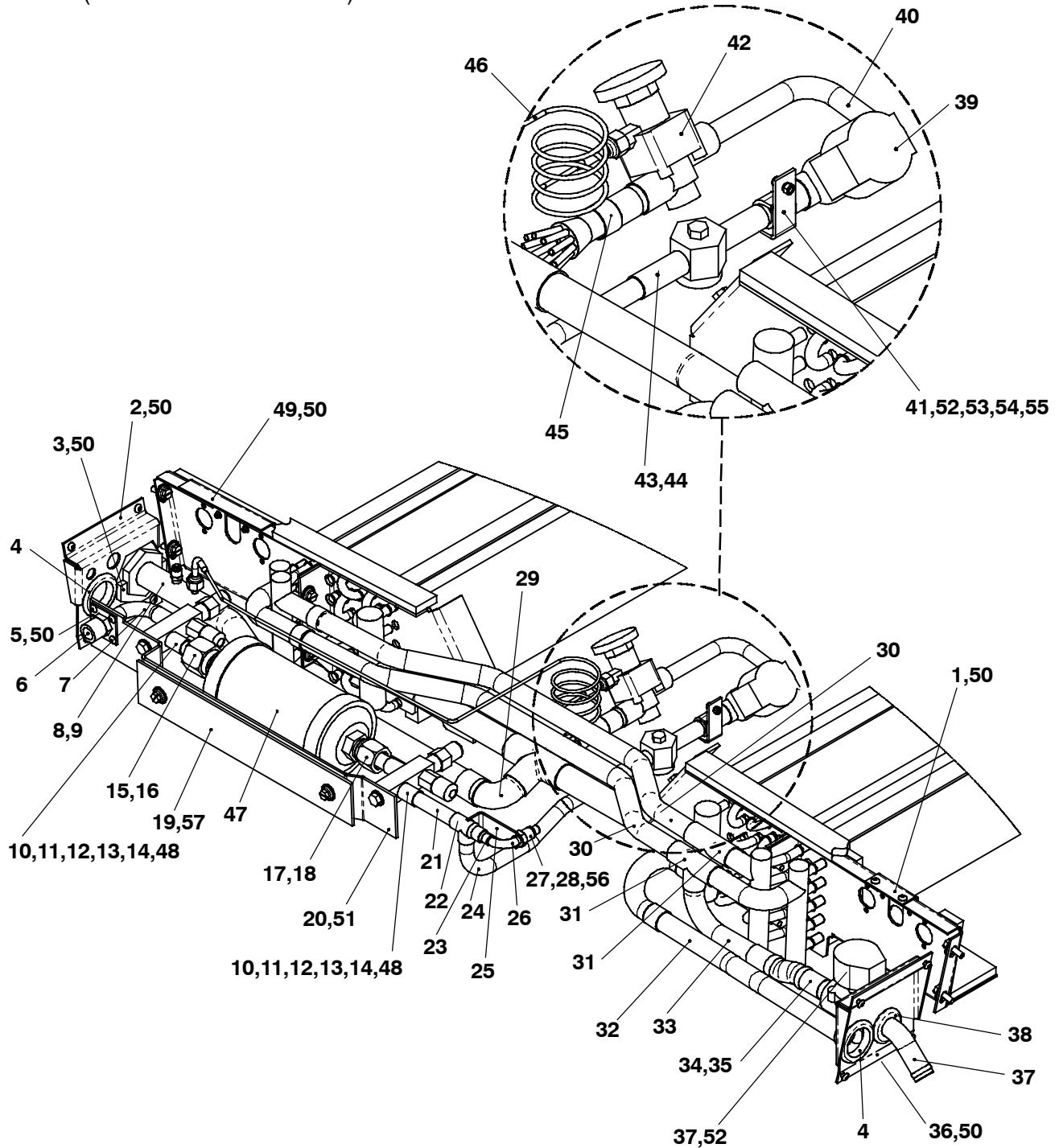


12.7 Evaporator - Refrigeration Kit, 101 Series - Option 6 (Continued)			
Item	Part Number	Description	Qty
50	44-00045-02	Clamp, Hose, Worm Type (11/16 - 1-1/4)	2
51	68-62796-00	Bracket, Tube Support	1
52	14-00194-03	Valve, Solenoid, Coolant, 7/8 OD With Bead - Includes:	1
	14-01110-02	Coil, Solenoid, 24VDC	1
53	58-00065-08	Grommet, .88 ID x 1.25 Hole, .06 Inch Groove	1
54	14-00236-00	Valve, Solenoid, 5/8 ODF x 7/8 ODM - Includes:	1
	14-00236-52	Coil, Solenoid Valve, 24 VDC	1
	14-00236-51	Repair Kit, Solenoid Valve	1
55	56-62183-02	Tube, Bent, Liquid, 5/8 OD x .040W Copper	1
56	34-00373-07	Clamp, Tube, 5/8 OD, SST	1
57	14-00316-00	Valve, Expansion, TXV, 5/8 ODF (R-134a)	1
58	14-00026-04	Indicator, Liquid & Moisture, 5/8 ODF	1
59	56-00143-12	Tube, Straight, 5/8 OD x .040W Copper x 2 Inches Long	2
60	56-62286-00	Tube, Straight, 7/8 OD x .045W Copper x 2 Inches Long	1
61	56-62187-00	Tube Assembly, Equalizer, 1/8 OD x .030W Capillary	1
62	14-00320-00	Filter Drier, 7/8" ORS Inlet, 3/4" ORS Outlet (41 Cu. In.) - Includes:	1
	42-00243-11	O-Ring, .739 ID x .070 Thick	1
	42-00243-15	O-Ring, .864 ID x .070 Thick	1
63	56-00143-75	Tube, Straight, 5/8 OD x .040W Copper x 1-5/8 Inches Long	2
64	68-63622-00	Cover, Panel	1
65	34-62021-00	Rivet, Blind, Dome Head, 3/16 Dia., Grip Range: .126-.250	2
66	34-06051-104	Rivnut, M6 x 1 (.028 - .165) Steel	16
67	34-01184-04	Nut, Lock, Nylon Insert, M4	1
68	34-01151-04	Washer, Flat, M4, SST	1
69	34-01197-10	Screw, Hex Head, M4 X 10MM, SST	1
70	34-00945-04	Washer, Split Lock, M4	1
71	AC801-201	O-Ring, .301 ID X .070 Thick	1



12.8 Evaporator - Refrigeration Kit, 101 Series - Options 7, 9 & 9A

NOTE: COMMON PARTS ARE LISTED IN SECTION
(Kit 77-62148-04 is shown.)



Kits 77-62148-03 G
77-62148-04 G
77-62148-06 A



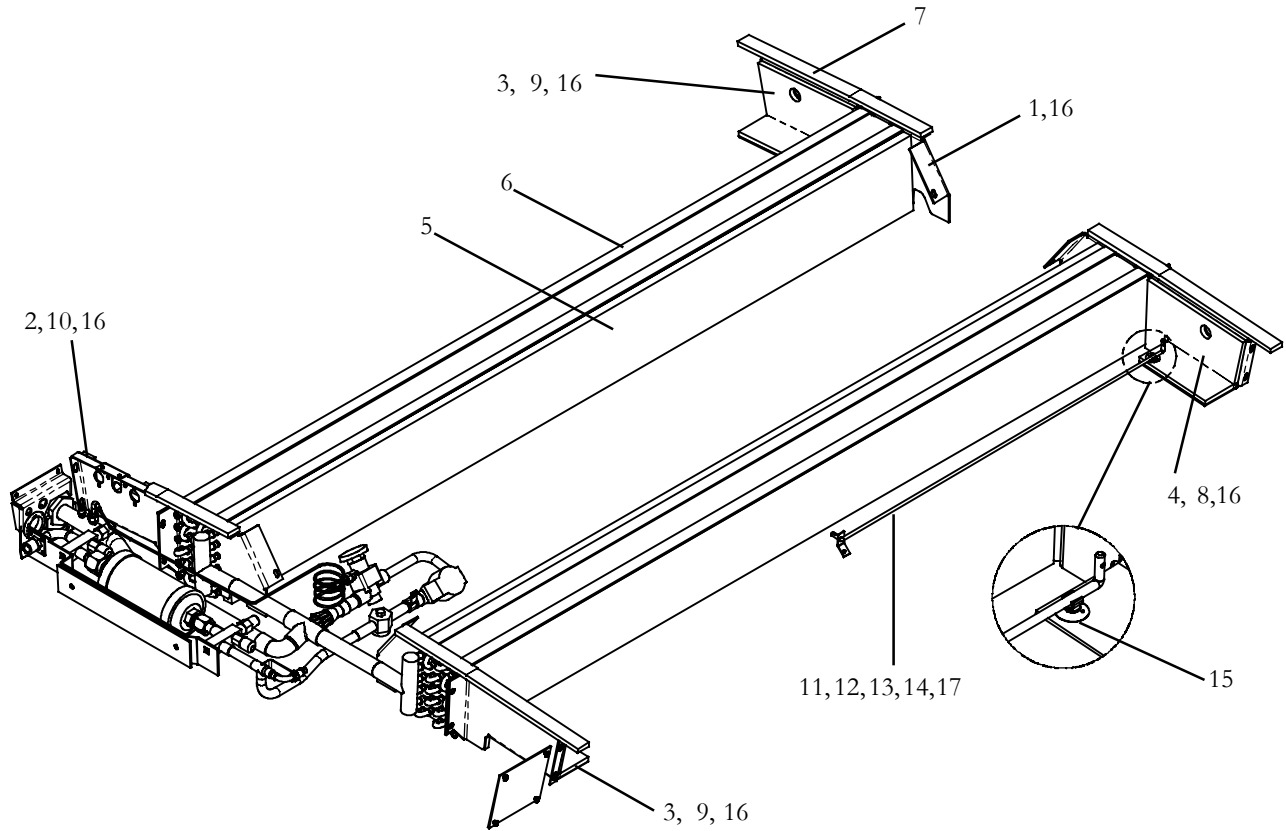
12.8 Evaporator - Refrigeration Kit, 101 Series - Options 7, 9 & 9A (Continued)			
Item	Part Number	Description	Qty
1	68-63250-00	Bracket, Tube Support	1
2	68-62797-01	Bracket, Tube Support	1
3	86-62319-01	Bracket Assembly, Tube Support	1
4	58-00065-44	Grommet, 1.38 ID x 1.62 Hole, .09 Inch Groove	2
5	68-62492-02	Plate, Support, Liquid Hose, Brass	1
6	40-62032-01	Fitting, Swivel Nut, 5/8 X 7/8-14 M.I.O.	1
7	56-62188-00	Tube, Bent, Liquid, 5/8 OD x .040W Copper	1
8	81-62086-00	Tube Assembly, Suction - Includes:	1
	56-62186-00	Tube, Bent, Suction, 1-1/8OD x .050W Copper	1
	40-00491-01	Fitting, ORS, 1-1/8 x 1 11/16-12	1
	40-01124-00	Body, Valve, Schrader, Brass 1/4 SAE Flare - Includes:	2
	14-00351-00	Core, Valve, Access (Nickel Plated)	1
	DD19CA061	Cap, Seal, Flare, 1/4 Inch	1
9	34-06088-01	Nut, Hex Head, ORS 1-1/8 x 1.69-12, Plated Steel	1
10	40-00501-03	Valve, King, Brass, 5/8 ODF - Includes:	2
	40-00501-50	...Cap, King Valve, Service Part	1
11	40-00520-01	Coupling, High Pressure Side W/Cap	2
12	34-00303-04	Screw, Cap, Hex Head, 5/16-24 x 1/2 Inch Long	2
13	34-00588-12	Washer, Plain, 5/16, SAE	2
14	34-00368-12	Washer, Lock, Split, 5/16, Steel	2
15	40-00503-04	Collar, Tube - 5/8 ORS, Nickel Plated Steel	1
16	34-06121-04	Nut, Hex, ORS Braze (1-3/16-12 Threads)	1
17	40-00503-03	Collar, Tube - 5/8 ORS, Brass	1
18	34-06121-03	Nut, Hex, ORS Braze (1-14 Threads)	1
19	68-62802-00	Plate, Backup	1
20	68-62793-00	Bracket, Filter Drier	1
21	56-00143-104	Tube, Straight, 5/8 OD x .040W Copper x 3.17 Inches Long	1
22	40-00169-06	Tee, Reducing, 5/8 ODS x 1/2 ODS x 5/8 ODS	1
23	40-00090-04	Fitting, Reducer, 1/2 ODM x 3/8 ODS	1
24	56-62189-02	Tube, Bent, 5/8 OD x .040W Copper	1
25	68-63358-00	Bracket, Tube Support, Brass	1
26	56-62285-00	Tube, Bent, Liquid, 3/8 OD x .022W Copper	1
27	40-62032-03	Fitting, Swivel Nut, 3/8	1
28	40-62061-00	Fitting, Block off, #6	1
29	40-00072-09	Elbow, Street, 90 Degree, 1-1/8 ODM x 1-1/8 ODS	1
30	56-62244-01	Tube, Liquid, 7/8 OD x .045W Copper	2
31	40-00168-07	Tee, 7/8 ODS	2
32	81-62118-00	Tube Assembly, Heater, 7/8 OD x .045W Copper	1
33	56-62246-00	Tube, Liquid, 7/8 OD x .045W Copper	2
34	58-60039-08	Hose, Coolant, .25MM ID x 180MM Long	1



12.8 Evaporator - Refrigeration Kit, 101 Series - Options 7, 9 & 9A (Continued)			
Item	Part Number	Description	Qty
35	44-00045-02	Clamp, Hose, Worm Type (11/16 - 1-1/4)	2
36	68-62796-01	Bracket, Tube Support (-03, -04 Only)	1
	68-62796-03	Bracket, Tube Support (-06 Only)	1
37	14-00194-03	Valve, Solenoid, Coolant, 7/8 OD With Bead - Includes:	1
	14-01110-02	Coil, Solenoid, 24VDC	1
38	58-00065-08	Grommet, .88 ID x 1.25 Hole, .06 Inch Groove	1
39	14-00236-00	Valve, Solenoid, 5/8 ODF x 7/8 ODM - Includes::	1
	14-00236-52	Coil, Solenoid Valve, 24 VDC	1
	14-00236-51	Repair Kit, Solenoid Valve	1
40	56-62183-02	Tube, Bent, Liquid, 5/8 OD x .040W Copper	1
41	34-00373-07	Clamp, Tube, 5/8 OD, SST	1
42	14-00316-00	Valve, Expansion, TXV, 5/8 ODF (R-134a)	1
43	14-00026-04	Indicator, Liquid & Moisture, 5/8 ODF	1
44	56-00143-12	Tube, Straight, 5/8 OD x .040W Copper x 2 Inches Long	2
45	56-62286-00	Tube, Straight, 7/8 OD x .045W Copper x 2 Inches Long	1
46	56-62187-00	Tube Assembly, Equalizer, 1/8 OD x .030W Capillary	1
47	14-00320-00	Filter Drier, 7/8" ORS Inlet, 3/4" ORS Outlet (41 Cu. In.) - Includes:	1
	42-00243-11	O-Ring, .739 ID x .070 Thick	1
	42-00243-15	O-Ring, .864 ID x .070 Thick	1
48	56-00143-75	Tube, Straight, 5/8 OD x .040W Copper x 1-5/8 Inches Long	2
49	68-63622-00	Cover, Panel	1
50	34-62021-00	Rivet, Blind, Dome Head, 3/16 Dia., Grip Range: .126-.250	16
51	34-06051-104	Rivnut, M6 x 1 (.028 - .165) Steel	2
52	34-01184-04	Nut, Lock, Nylon Insert, M4	1
53	34-01151-04	Washer, Flat, M4, SST	1
54	34-01197-10	Screw, Hex Head, M4 X 10MM, SST	1
55	34-00945-04	Washer, Split Lock, M4	1
56	AC801-201	O-Ring, .301 ID X .070Thick	1
57	34-01266-20	Screw, Hex Head, Slotted, Sems, M6 x 20MM	2



12.9 Evaporator - Refrigeration Kit, 101 Series - Option 8

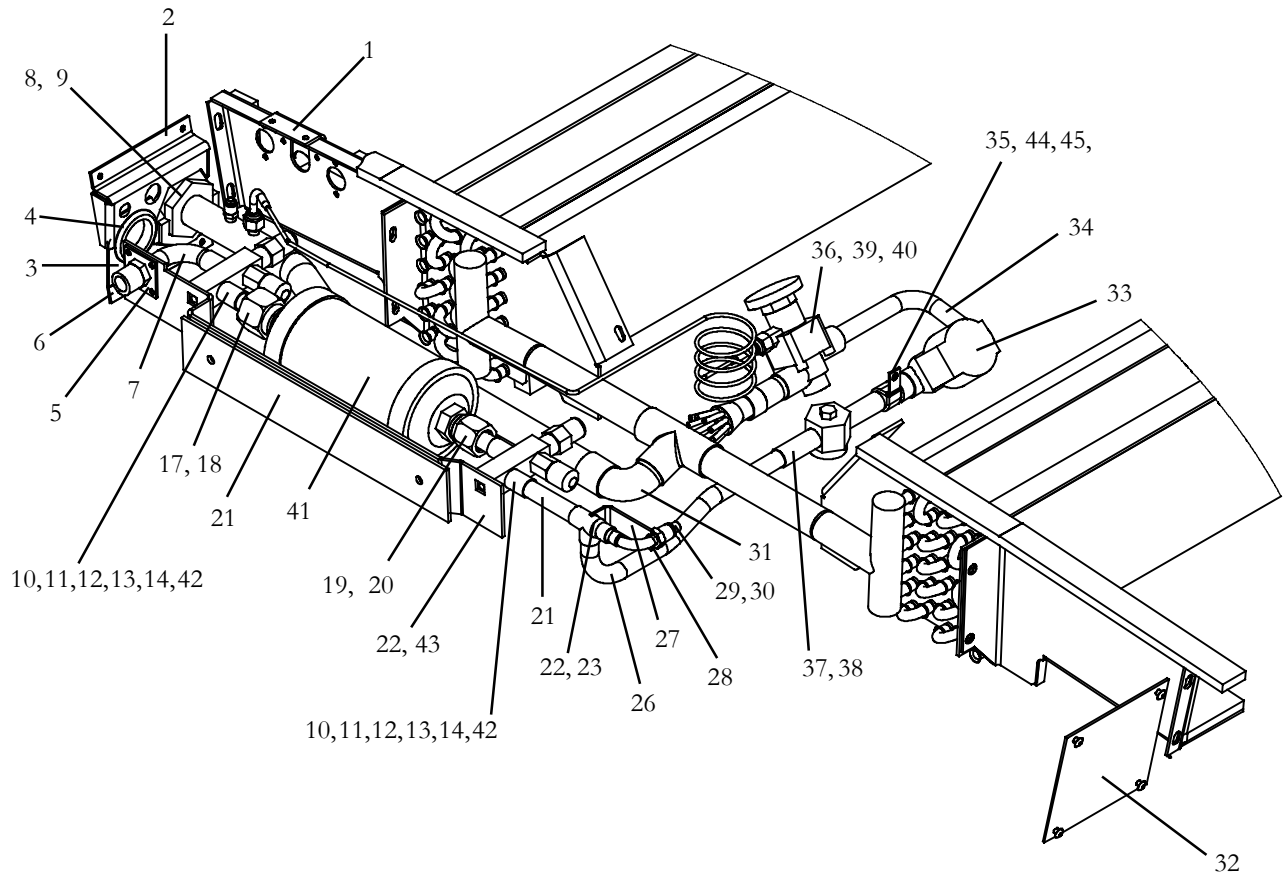


Kit 77-62164-00 C

Item	Part Number	Description	Qty
1	08-00249-00	Coil Assembly, Evaporator (Prior To Serial Number KNT90890980)	1
	08-62071-00	Coil Assembly, Evaporator (Beginning With Serial Number KNT90890980)	
2	68-63431-02	Panel, End	1
3	68-63431-00	Panel, End	2
4	68-63431-01	Panel, End	1
5	42-62045-00	Filter, Fresh Air, .75 Thick x 6.25 x 55.19 Inches Long	2
6	42-00221-17	Gasket, Foam, 1.25 Thick x 1.00 x 55.19 Inches, Adhesive Backed	4
7	42-00221-13	Gasket, Foam, 1.25 Thick x 1.00 x 18.00 Inches, Adhesive Backed	4
8	42-62113-00	Insulation, Tube Sheet, Neoprene, Adhesive Backed	1
9	42-62113-02	Insulation, Tube Sheet, Neoprene, Adhesive Backed	2
10	42-62113-01	Insulation, Tube Sheet, Neoprene, Adhesive Backed	1
11	73-62005-00	Rod, Support	1
12	73-62005-02	Rod, Support	1
13	68-63434-00	Bracket, Support Rod	2
14	73-62006-00	Pin, Cotter, Hair Pin	2
15	58-62126-00	Clip, Rod Support	2
16	34-01266-20	Screw, Hex Head, Slotted, Sems, M6 x 20MM	22
17	34-62021-00	Rivet, Blind, Dome Head, M4 x 10MM, SST	16



12.9 Evaporator - Refrigeration Kit, 101 Series - Option 8 (Continued)



Kit 77-62164-00 C

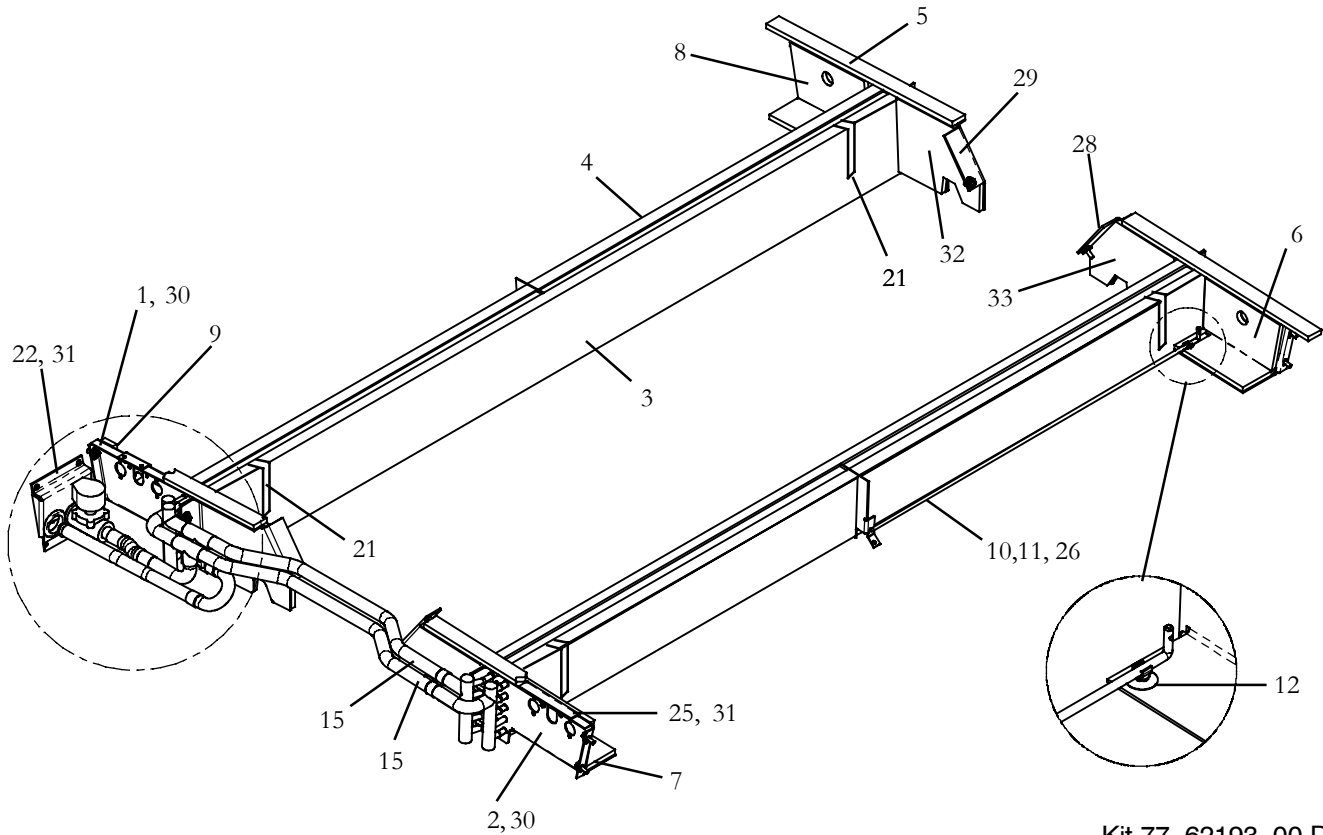
Item	Part Number	Description	Qty
1	68-63250-00	Bracket, Tube Support	1
2	68-62797-01	Bracket, Tube Support	1
3	86-62319-01	Bracket Assembly, Tube Support	1
4	58-00065-44	Grommet, 1.38 ID x 1.62 Hole, .09 Inch Groove	2
5	68-62492-02	Plate, Support, Liquid Hose, Brass	1
6	40-62032-01	Fitting, Swivel Nut, 5/8 x 7/8-14 M.I.O.	1
7	56-62188-00	Tube, Bent, Liquid, 5/8 OD x .040 Copper	1
8	81-62086-00	Tube Assembly, Suction - Includes:	1
	56-62186-00	Tube, Bent, Suction, 1-1/8 OD x .050W Copper	1
	40-00491-01	Fitting, ORS 1-1/8 x 1-11/16-12	1
	40-01124-00	Body, Valve, Schrader, Brass, 1/4 SAE Flare - Includes:	2
	14-00351-00	Core, Valve, Access (Nickel Plated)	1
	DD19CA061	Cap. Seal, Flare, 1/4 Inch	1
9	34-06088-01	Nut, Hex Head, ORS 1-1/8 x 1.69-12, Plated Steel	2
10	40-00501-03	Valve, King, Brass, 5/8 ODF - Includes:	1
	40-00501-50	Cap, King Valve, Service Part	1
11	40-00520-01	Coupling, High Pressure Side W/Cap	2



12.9 Evaporator - Refrigeration Kit, 101 Series - Option 8 (Continued)			
Item	Part Number	Description	Qty
12	34-00303-04	Screw, Cap, Hex Head, 5/16-24 x 1/2 Inch Long	2
13	34-00588-12	Washer, Plain, 5/16, SAE	2
14	34-00368-12	Washer, Lock, Split, 5/16, Steel	2
15	40-00503-04	Collar, Tube - 5/8 ORS, Nickel Plated Steel	1
16	34-06121-04	Nut, Hex, ORS Braze (1-3/16-12 Threads)	1
17	40-00503-03	Collar, Tube - 5/8 ORS, Brass	1
18	34-06121-03	Nut, Hex, ORS Braze (1-14 Threads)	1
19	68-62802-00	Plate, Backup	1
20	68-62793-00	Bracket, Filter Drier	1
21	56-00143-104	Tube, Straight, 5/8 OD x .040W Copper x 3.17 Inches Long	1
22	40-00169-06	Tee, Reducing, 5/8 ODS x 1/2 ODS x 5/8 ODS	1
23	40-00090-04	Fitting, Reducer, 1/2 ODM x 3/8 ODS	1
24	56-62189-02	Tube, Bent, 5/8 OD x .040W Copper	1
25	68-63358-00	Bracket Assembly, Tube Support	1
26	56-62285-00	Tube, Bent, Liquid, 3/8 OD x .022W Copper	1
27	40-62032-03	Fitting, Swivel Nut, 3/8	1
28	40-62061-00	Fitting, Block off, #6	1
29	40-00072-09	Elbow, Street, 90 Degree, 1-1/8 ODM x 1-1/8 ODS	1
30	68-63439-00	Plate, Cover, Evaporator	1
31	14-00236-00	Valve, Solenoid, 5/8 ODF x 7/8 ODM - Includes:	1
	14-00236-52	Coil, Solenoid Valve, 24 VDC	1
	14-00236-51	Repair Kit, Solenoid Valve	1
32	56-62183-02	Tube, Bent, Liquid, 5/8 OD x .040W Copper	1
33	34-00373-07	Clamp, Tube, 5/8 OD, SST	1
34	14-00316-00	Valve, Expansion, TXV, 5/8 ODF (R-134a)	1
35	14-00026-04	Indicator, Liquid & Moisture, 5/8 ODF	1
36	56-00143-12	Tube, Straight, 5/8 OD x .040W Copper x 2 Inches Long	2
37	56-62286-00	Tube, Straight, 7/8 OD x .045W Copper x 2 Inches Long	1
38	56-62187-00	Tube Assembly, Equalizer, 1/8 OD x .030W Capillary	1
39	14-00320-00	Filter Drier, 7/8" ORS Inlet, 3/4" ORS Outlet (41 Cu. In.) - Includes:	1
	42-00243-11	O-Ring, .739 ID x .070 Thick	1
	42-00243-15	O-Ring, .864 ID x .070 Thick	1
40	56-00143-75	Tube, Straight, 5/8 OD x .040W Copper x 1-5/8 Inches Long	2
41	34-06051-104	Rivnut, M6 x 1 (.028 - .165) Steel	2
42	34-01184-04	Nut, Lock, Nylon Insert, M4	1
43	34-01151-04	Washer, Flat, M4 X 10MM, SST	1
44	34-01197-10	Screw, Hex Head, M4 x 10MM, SST	1
45	34-00945-04	Washer, Split Lock, M4	1



12.10 Evaporator - Refrigeration Kit, 101 Series - Option 10 (Heat Only)

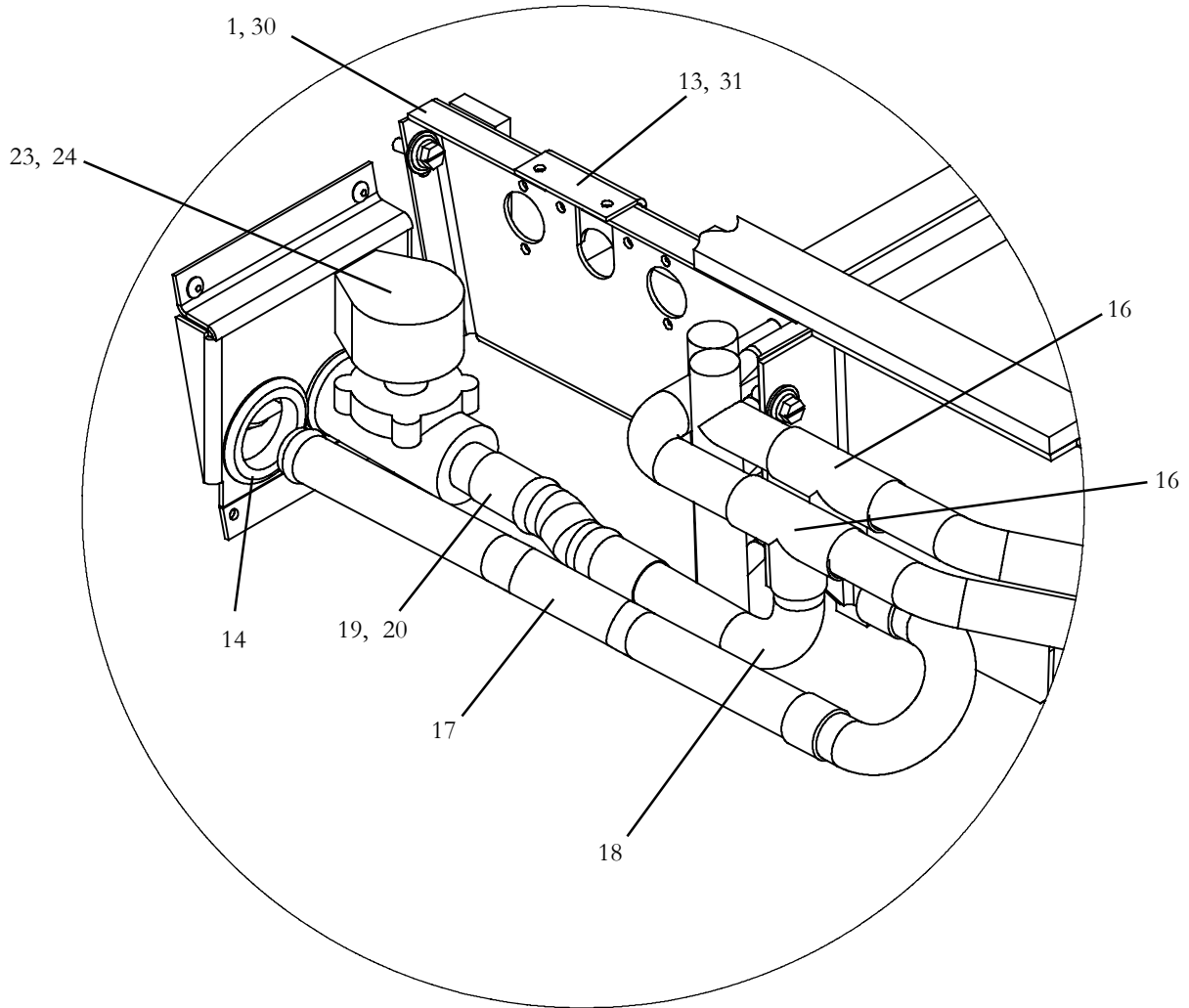


Kit 77-62193-00 D

Item	Part Number	Description	Qty
1	08-00243-00	Coil Assembly, Heater, Evaporator	1
2	08-62043-01	Coil Assembly, Heater, Evaporator	1
3	38-00603-00	Filter, Air, (RF353)	2
4	42-00221-17	Gasket, Foam, 1.25 Thick X 1.00 X 67.00 Inches, Adhesive Backed	2
5	42-00221-13	Gasket, Foam, 1.25 Thick X 1.00 X 18.00 Inches, Adhesive Backed	4
6	42-62106-01	Insulation, Tube Sheet, Neoprene, Adhesive Backed	1
7	42-62106-02	Insulation, Tube Sheet, Neoprene, Adhesive Backed	1
8	42-62106-03	Insulation, Tube Sheet, Neoprene, Adhesive Backed	1
9	42-62106-00	Insulation, Tube Sheet, Neoprene, Adhesive Backed	1
10	73-62005-00	Rod, Support	1
11	73-62006-00	Pin, Cotter, Hair Pin	2
12	58-62126-00	Clip, Rod Support	2
13	68-63250-00	Bracket, Tube Support	1
14	58-00065-44	Grommet, 1.38 ID x 1.62 Hole, .09 Inch Groove	1
15	56-62244-00	Tube, Liquid, 7/8 OD x .045w Cooper	2
16	40-00168-07	Tee, 7/8 ODS	2
17	81-62118-01	Tube Assembly, Heater, 7/8 OD x .045W Copper	1
18	56-62246-00	Tube, Liquid, 7/8 OD x .045W CU	1
19	AC301-244	Hose, Coolant 7/8 ID, 50 Ft. Roll	1
20	44-00045-02	Clamp, Hose, Worm Type, (11/16 -1-1/4)	2
21	68-63784-00	Bracket, Coil	4



12.10 Evaporator - Refrigeration Kit, 101 Series - Option 10 (Heat Only) (Continued)

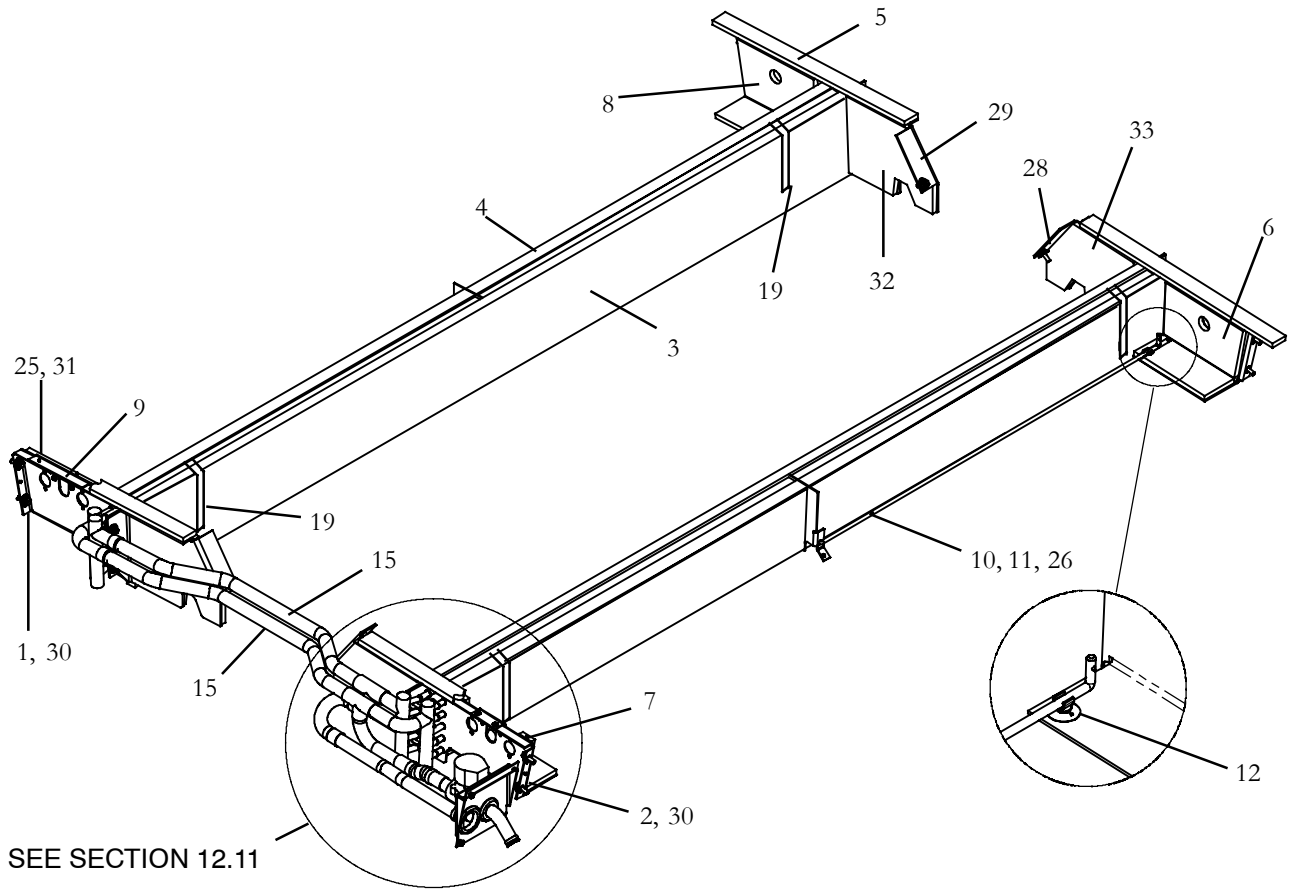


Kit 77-62193-00 D

Item	Part Number	Description	Qty
22	68-62796-00	Bracket, Tube Support	1
23	14-00194-03	Valve, Solenoid, Coolant, 7/8 OD With Bead - Includes:	1
	14-01110-02	Coil, Solenoid, 24VDC	
24	58-00065-08	Grommet, .88 ID x 1.25 OD x .06 Neoprene	1
25	68-63622-00	Cover, Panel	1
26	73-62005-02	Rod, Support	1
27	68-62796-02	Bracket, Tube Support	1
28	68-63685-00	Bracket, Coil, Heater	2
29	68-63685-01	Bracket, Coil, Heater	2
30	34-01266-20	Screw, Hex Head, Slotted, SEMS, M6 x 20MM	20
31	34-62021-00	Rivet, Blind, Dome Head, 3/16 Dia., Grip Range: .126-.250	12
32	42-62128-00	Insulation, Neoprene, Black, Adhesive Backed	2
33	42-62128-01	Insulation, Neoprene, Black, Adhesive Backed	2



12.11 Evaporator - Refrigeration Kit, 101 Series - Option 11 (Heat Only)



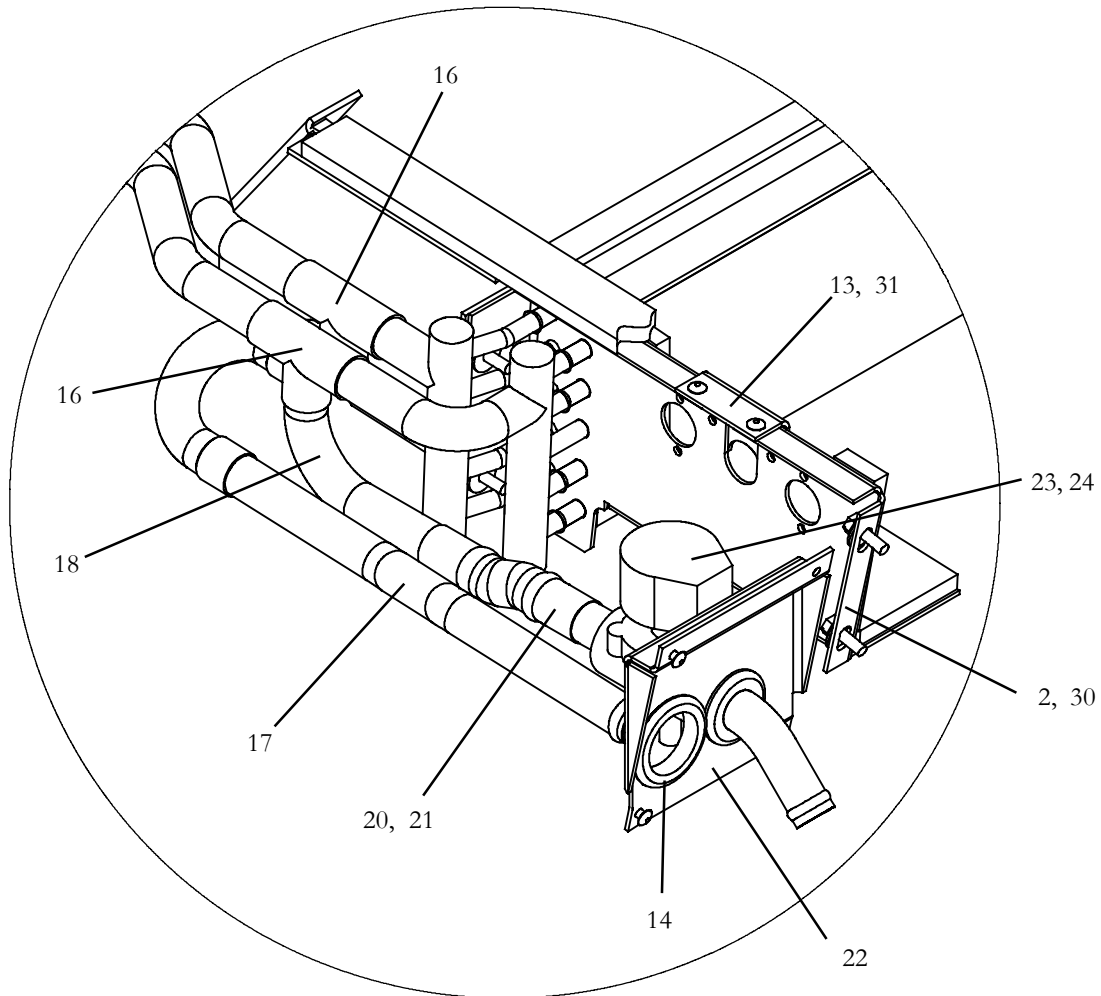
SEE SECTION 12.11

Kit 77-62193-01 D

Item	Part Number	Description	Qty
1	08-62243-00	Coil Assembly, Heater, Evaporator Heater	1
2	08-62043-01	Coil Assembly, Heater, Evaporator Heater	1
3	38-00603-00	Filter, Air (RF353)	2
4	42-00221-17	Gasket, Foam, 1.25 Thick X 1.00 X 55.19 Inches, Adhesive Backed	2
5	42-00221-13	Gasket, Foam, 1.25 Thick X 1.00 X 18.00 Inches, Adhesive Backed	4
6	42-62106-01	Insulation, Tube Sheet, Neoprene, Adhesive Backed	1
7	42-62106-04	Insulation, Tube Sheet, Neoprene, Adhesive Backed	1
8	42-62106-02	Insulation, Tube Sheet, Neoprene, Adhesive Backed	1
9	42-62106-05	Insulation, Tube Sheet, Neoprene, Adhesive Backed	1
10	73-62005-00	Rod, Support	1
11	73-62006-00	Pin, Cotter, Hair Pin	2
12	58-62126-00	Clip, Rod Support	2
13	68-63250-00	Bracket, Tube Support	1
14	58-00065-44	Grommet, 1.38 ID x 1.62 Hole, .09 Inch Groove	1
15	56-62244-00	Tube, Liquid, 7/8 OD x .045W Cooper	2
16	40-00168-07	Tee, 7/8 ODS	2
17	81-62118-00	Tube Assembly, Heater, 7/8 OD x .045W Copper	1
18	56-62246-00	Tube, Liquid, 7/8 OD x .045W Copper	1
19	68-63784-00	Bracket, Coil	4



12.11 Evaporator - Refrigeration Kit, 101 Series - Option 11 (Heat Only) (Continued)



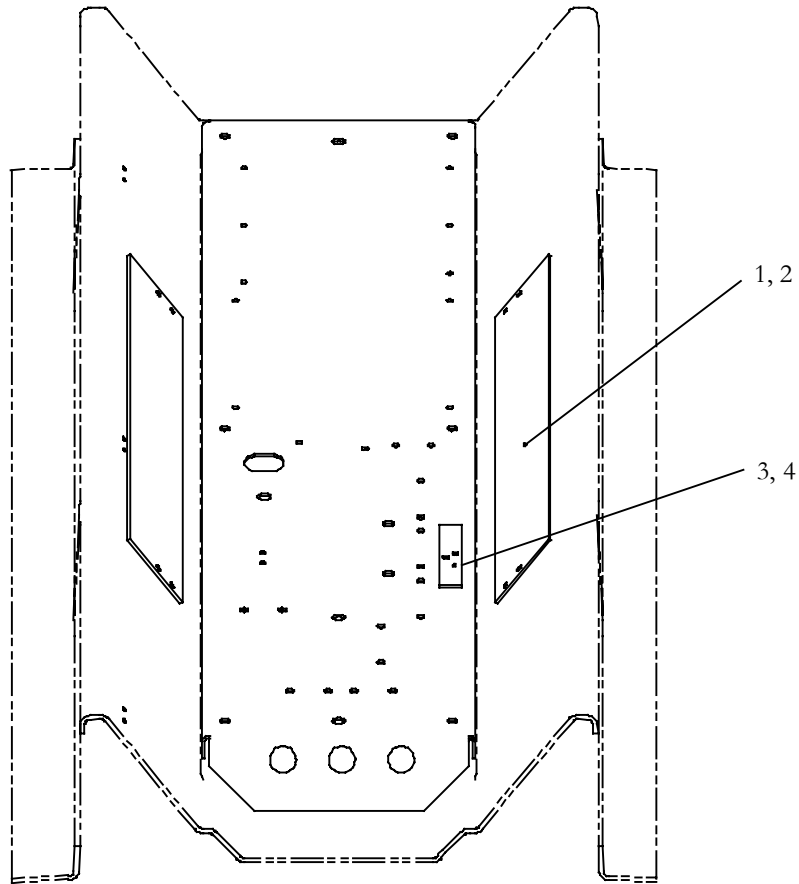
Kit 77-62193-01 D

Item	Part Number	Description	Qty
20	AC301-244	Hose, Coolant, 7/8 ID, EPDM, 50 Ft. Roll	1
21	44-00045-02	Clamp, Hose, Worm Type, (11/16 - 1-1/4)	2
22	68-62796-01	Bracket, Tube Support	1
23	14-00194-03	Valve, Solenoid, Coolant, 7/8 OD With Bead - Includes:	1
	14-01110-02	Coil, Solenoid, 24VDC	1
24	58-00065-08	Grommet, .88 ID x 1.25 OD x .06 Neoprene	1
25	68-63622-00	Cover, Panel	1
26	73-62005-02	Rod, Support	1
27	68-62796-02	Bracket, Tube Support	1
28	68-63685-00	Bracket, Coil, Heater	2
29	68-63685-01	Bracket, Coil, Heater	2
30	34-01266-20	Screw, Hex Head, Slotted, SEMS, M6 x 20MM,	20
31	34-62021-00	Rivet, Blind, Dome Head, 3/16 Dia., Grip Range: .126-.250	12
32	42-62128-00	Insulation, Neoprene, Black, Adhesive Backed	2
33	42-62128-01	Insulation, Neoprene, Black, Adhesive Backed	2



13 EVAPORATOR - AIR EXCHANGE

13.1 Evaporator - Air Exchange Kit, 100 Series - Option 1

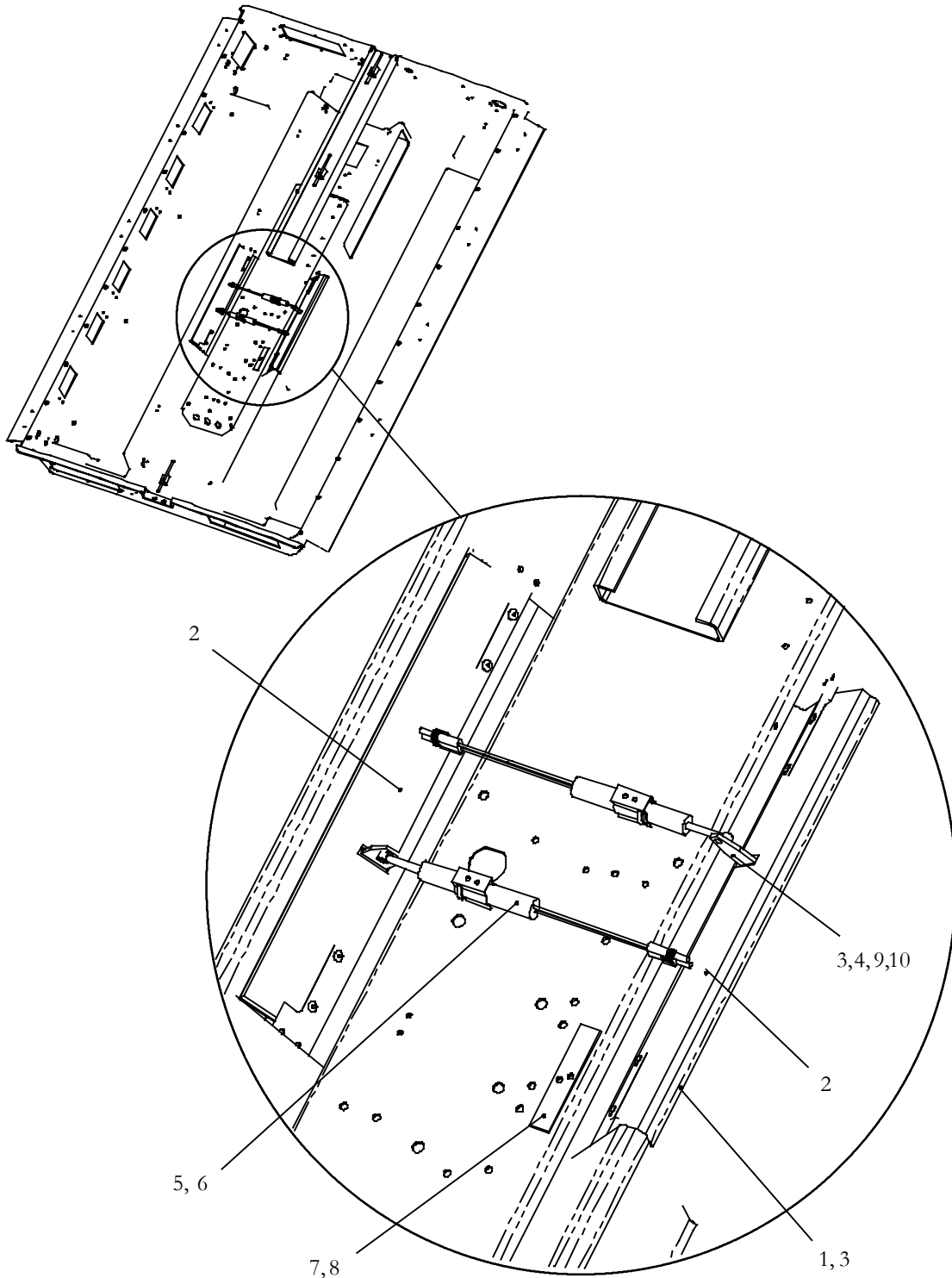


Kit 77-62059-01 B

Item	Part Number	Description	Qty
1	68-62996-00	Plate, Blank-Off, Fresh Air Opening	2
2	34-62021-01	Rivet, Blind, Dome Head, 3/16 Dia.. Grip Range: .126-.250	8
3	68-63209-00	Plate, Cover	1
4	34-00658-04	Screw, Hex Head, #10-32 X 1/2 Inch Long, SST	2



13.2 Evaporator - Air Exchange Kit, 100 Series - Option 2



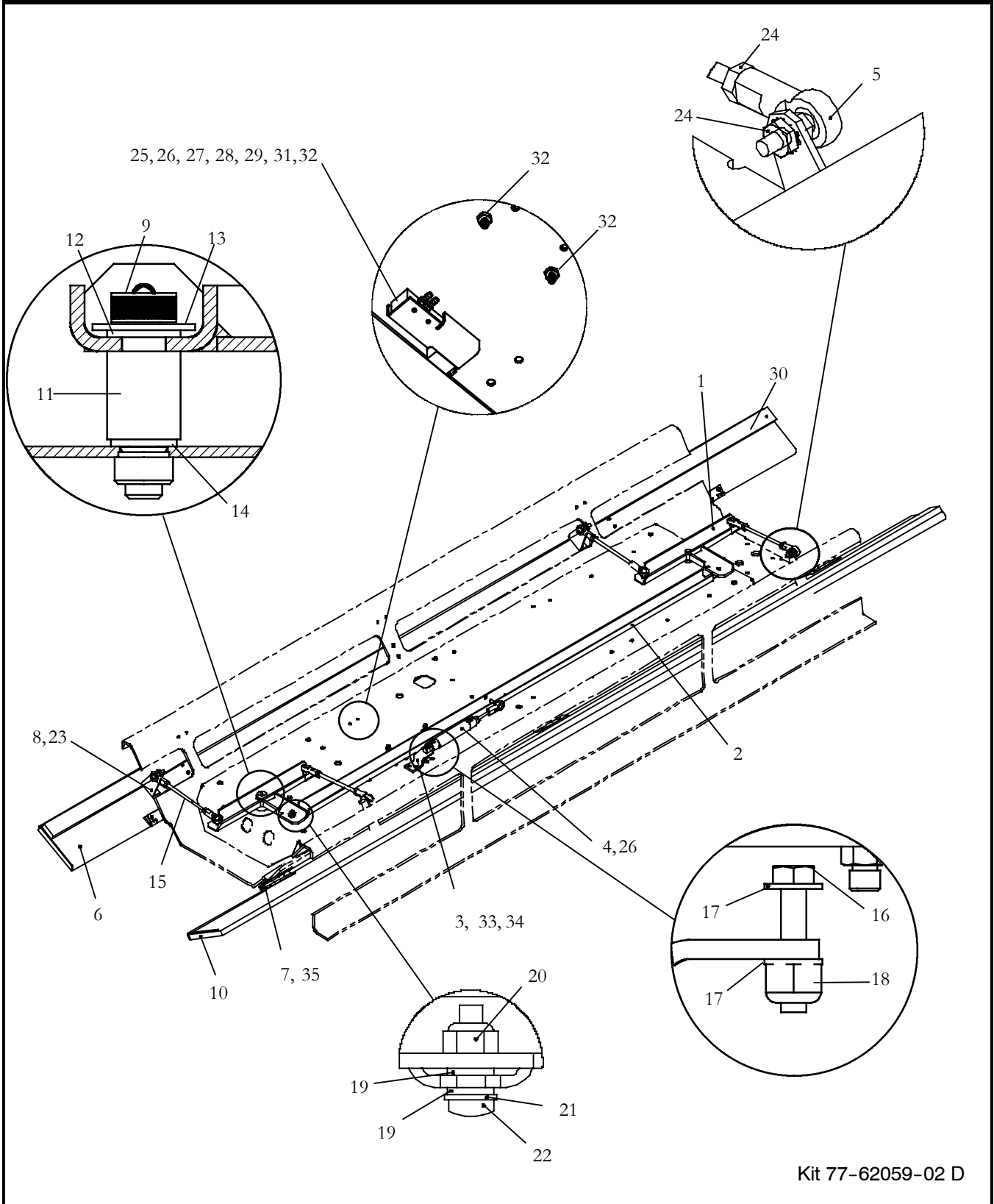
Kit 77-62059-00 C



13.2 Evaporator - Air Exchange Kit, 100 Series - Option 2 (Continued)			
Item	Part Number	Description	Qty
1	79-62066-00	Door Assembly, Fresh Air, Evaporator, Includes:	2
	68-62995-00	Plate, Backup, Door	1
	68-62994-00	Door, Fresh Air	1
	44-62007-00	Hinge, Fresh Air Door	2
	34-62021-00	Rivet, Blind, Dome Head, 3/16 Dia., Grip Range: .126-.250	8
2	42-62036-01	Insulation, Fresh Air Door	2
3	34-62021-00	Rivet, Blind, Dome Head, 3/16 Dia., Grip Range: .126-.250	12
4	68-62795-00	Bracket, Actuator Support	2
5	12-00426-00	Actuator, Fresh Air Door	2
6	34-00928-02	Rivet, Blind, .125 Dia., Grip Range: .126-.187, SST	4
7	68-63209-00	Plate, Cover	1
8	34-00658-04	Screw, Hex Head, #10-32 X 1/2 Inch Long, SST	2
9	34-01184-55	Nut, Lock, Nylon Insert, M5	2
10	34-60000-20	Screw, Hex Head, M5 X 20MM Long, SST	2



13.3 Evaporator - Air Exchange Kit, 100 Series - Option 3

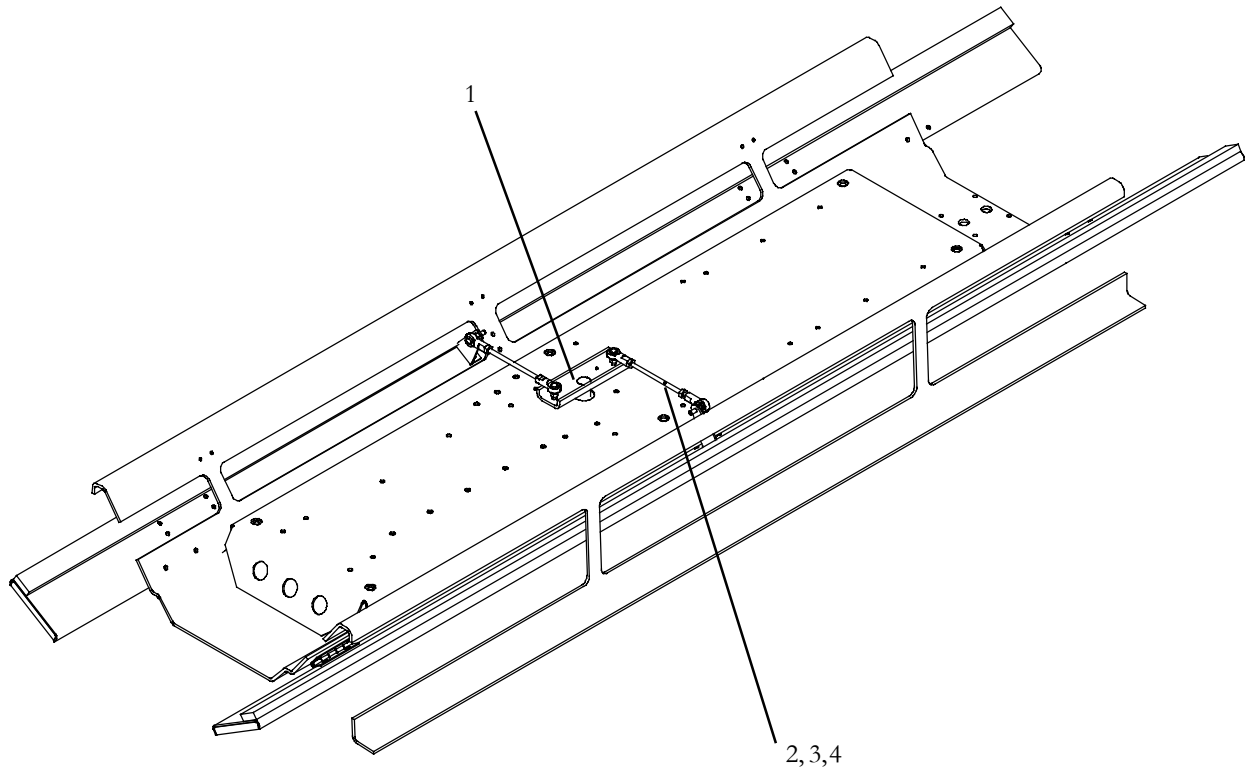




13.3 Evaporator - Air Exchange Kit, 100 Series - Option 3 (Continued)			
Item	Part Number	Description	Qty
1	86-62350-00	Bracket, Weld Assembly	2
2	68-63029-00	Channel	1
3	68-63030-00	Bracket	1
4	52-00023-00	Air Cylinder, 2 Inch Stroke	1
5	44-62008-00	Ball Joint, #10-32	9
6	68-63032-00	Door, Fresh Air	2
7	44-62007-00	Hinge, Fresh Air Door	6
8	68-63031-00	Bracket, Fresh Air Door	4
9	34-01208-01	Bolt, Shoulder, 3/16 Socket Head, 5/16-18 X 1.75 Inch Long	2
10	42-62041-07	Insulation, Neoprene, .38 Thick X 3.38 X 53.56	2
11	34-62031-03	Washer, Flat, Nylon, .375 ID X .625 OD	2
12	34-62031-00	Washer, Flat, Nylon, .380 ID X .625 OD	2
13	34-00829-13	Washer, Plain, 3/8 SAE, SST	2
14	34-00829-12	Washer, Plain, 5/16 SAE, SST	2
15	34-62030-00	Rod, Threaded, 10/32 UNF-2A X 4.50 Inches Long, SST	4
16	34-01197-20	Screw, Cap Hex Head, M4 X 20MM Long, SST	1
17	34-00944-04	Washer, Plain, M4	2
18	34-01184-04	Nut, Lock, Nylon Insert, M4, SST	1
19	34-62031-01	Washer, Flat, Nylon, .194 ID X .375 OD	4
20	34-01184-55	Nut, Lock Nylon Insert, M5	2
21	34-01264-09	Washer, Plain, #10, SST	2
22	34-60000-16	Screw, Hex Head, M5 X 16MM Long, SST	2
23	34-62021-00	Rivet, Blind, Dome Head, Dia., Grip Range: .126-.2503/16	8
24	34-00733-00	Nut, Hex, Keps, #10-32	18
25	34-06126-14	Screw, Hex Head, Slotted, #4-40 X .88 Long, SST	2
26	40-62066-00	Fitting, Hose, 1/8 ID Barb X #10-32	6
27	40-62073-00	Valve, Pneumatic Solenoid, 24 VDC	1
28	40-62072-00	Valve, Regulating, Pressure, #10-32	1
29	68-63049-00	Bracket, Mounting, Pneumatic Valve	1
30	42-62041-03	Insulation, Neoprene, .38 Thick X 1.00 X 65.38	2
31	40-62067-00	Coupling, Hex, #10-32	1
32	40-62074-00	Fitting, Union, Bulkhead, 1/4 OD Tube	2
33	68-63209-00	Plate, Cover	1
34	34-00658-04	Screw, Hex Head, #10-32 X 1/2 Inch Long, SST	2
35	34-00988-06	Rivet, Pop, Countersunk Head, 3/16 Dia., Grip Range: .126-.250	24



13.4 Evaporator - Air Exchange Kit, 100 & 101 Series - Option 4

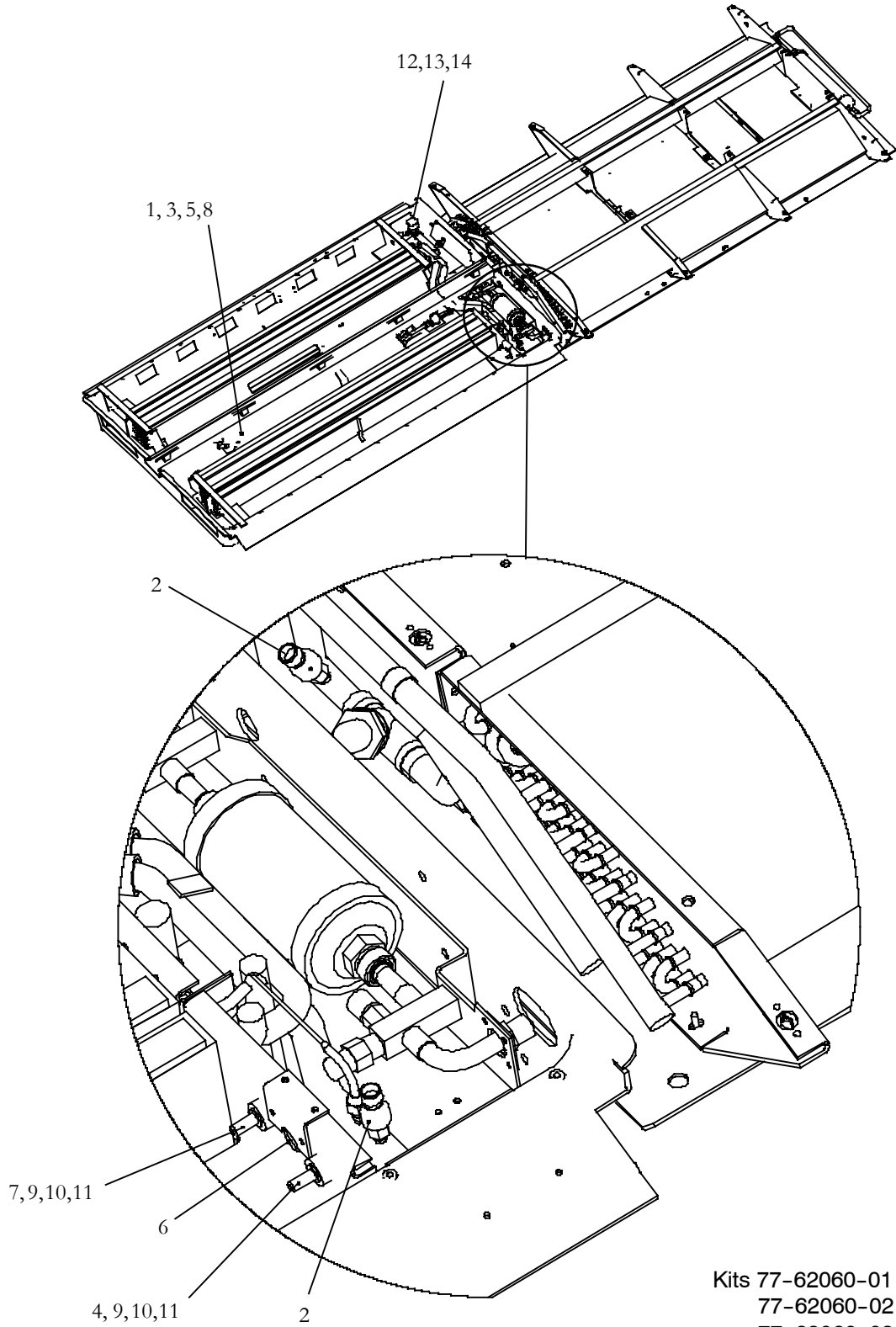


Kit 77-62138-00 C

Item	Part Number	Description	Qty
1	86-62370-00	Bracket Assembly, Fresh Air Opening	1
2	34-00733-00	Nut, Hex, Keps, #10-32	8
3	34-62030-00	Rod, Threaded, 10-32 UNF-2A X 4.50 Inches Long, SST	2
4	44-62008-00	Ball Joint, #10-32	4



14 CONTROLLER KIT



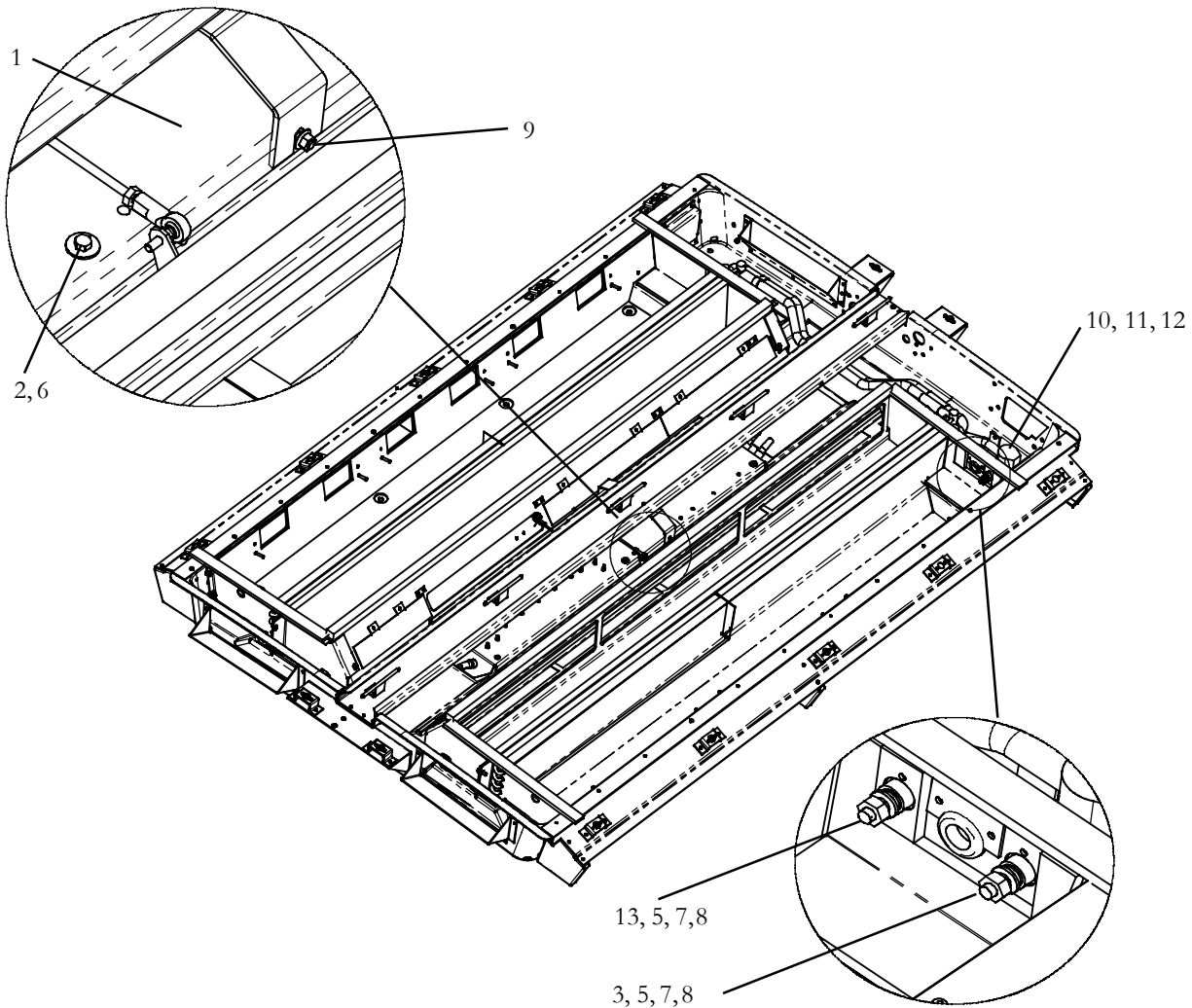
Kits 77-62060-01 C Option 1
77-62060-02 K Option 2
77-62060-03 K Option 3



14 CONTROLLER KIT (Continued)			
Item	Part Number	Description	Qty
OPTION 1			
1	91-62043-00	Control Panel Assembly, Micromax, DC Motors, (See Section 15.1)	1
OPTION 2			
1	91-62054-00	Control Panel Assembly, Micromax, Belimo DC Motors, (See Section 15.2)	1
OPTION 3			
1	91-62055-00	Control Panel Assembly, Micromax W/Gr60 Relay Board (See Section 15.3)	1
COMMON PARTS, OPTIONS 1, 2 & 3			
2	12-00352-00	Transducer, Pressure	2
3	34-60000-16	Screw, Hex Head, M5 X 16MM	6
4	22-62180-01	Block Junction, Stud Type, 3/8-16 Thread, (Red)	1
5	66U1-3882	Wire Tie, Self-Locking, 7.00 Inches Black	4
6	58-00065-26	Grommet, .75D X 1.06, .06 Inch Groove	1
7	22-62180-00	Block, Junction, Stud Type, 3/8-16 Thread, (Black)	1
8	34-60095-46	Washer, Lock, M6 X 18MM O.D., SST	6
9	34-00944-10	Washer, Flat, M10	4
10	34-00946-60	Nut, Hex, M10-1.50. SST	6
11	34-01184-55	Nut, Lock, Nylon, M5	4
12	22-02392-00	Connector, 2 Pin, Black	1
13	22-02393-01	Terminal, Male (18-20 AWG)	2
14	22-02394-01	Seal, Cable, Blue	2



14.1 Controller Kit - Heat Only - Multiplex - Option 4

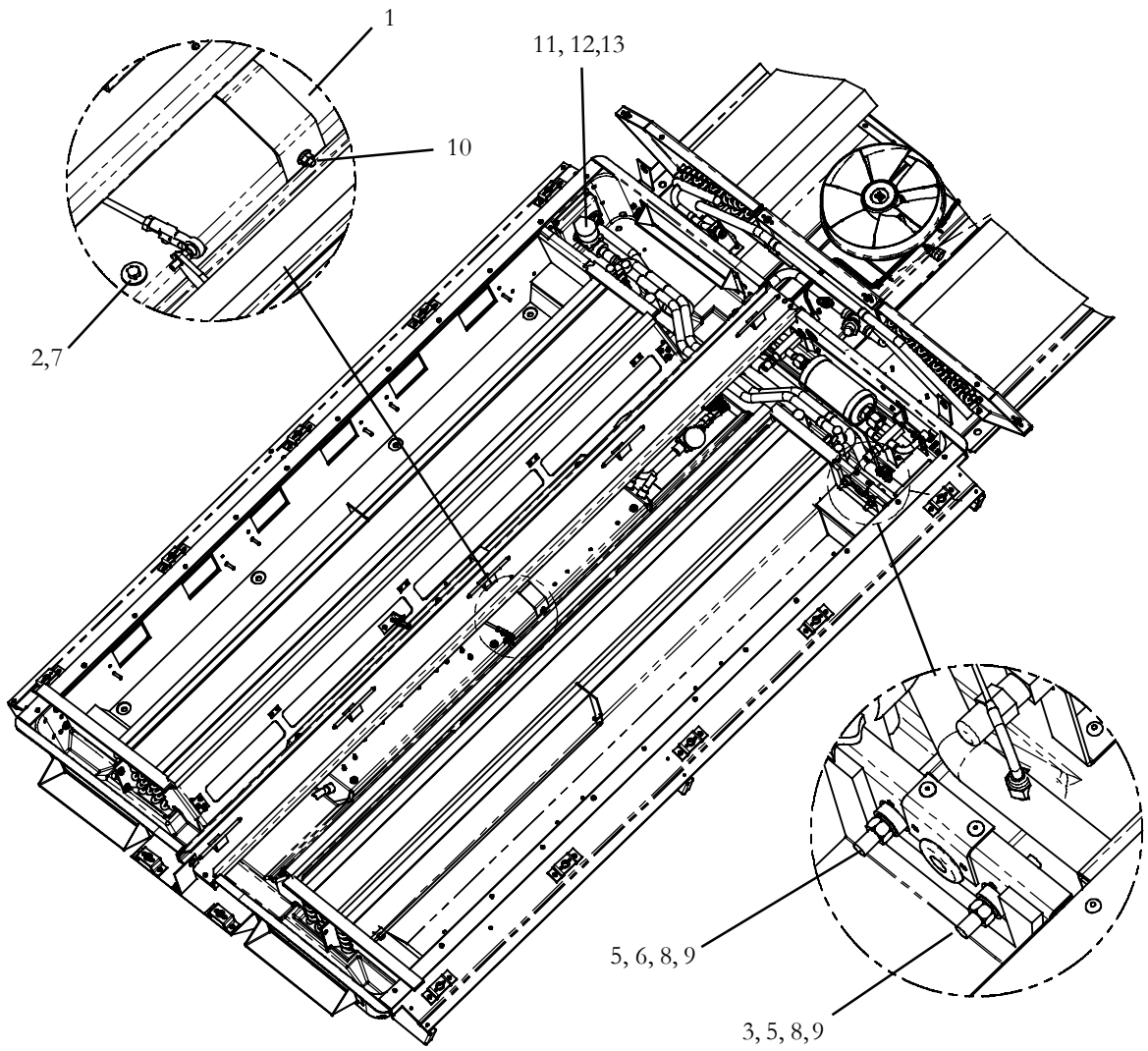


Kits 77-62196-00 E
77-62196-01 E

Item	Part Number	Description	Qty
1	91-62078-00	Control Panel Assembly, Heat Only, Multiplex - (SN Cut-Off)	1
	91-62092-00	Control Panel Assembly, Heat Only, Multiplex - (SN Cut-In)	1
2	34-60000-16	Screw, Hex Head, M5 x 16MM Long, SST	6
3	22-62180-00	Block, Junction, Stud Type, 3/8-16 Thread, Black	1
4	66U1-3882	Sta-Strap, 0-1.75 Inch Dia. Cable	4
5	34-62021-01	Rivet, Blind, Dome Head, 3/16 Dia., Grip Range: .250-.375	4
6	34-60095-46	Washer, Lock, M6 x 18MM O.D., SST	6
7	34-00944-10	Washer, Flat, M10	4
8	34-00946-60	Nut, Hex, M10-1.50, SST	6
9	34-60089-05	Nut, Lock, M5	2
10	22-02392-00	Connector, 2 Pin, Black	1
11	22-02393-01	Terminal, Male, (18-20 AWG)	2
12	22-02394-01	Seal, Cable, Blue	2
13	22-62180-01	Block, Junction, Stud Type, 3/8-16 Thread, Red	1



14.2 Controller Kit - Micromax - No Transducers - Option 5

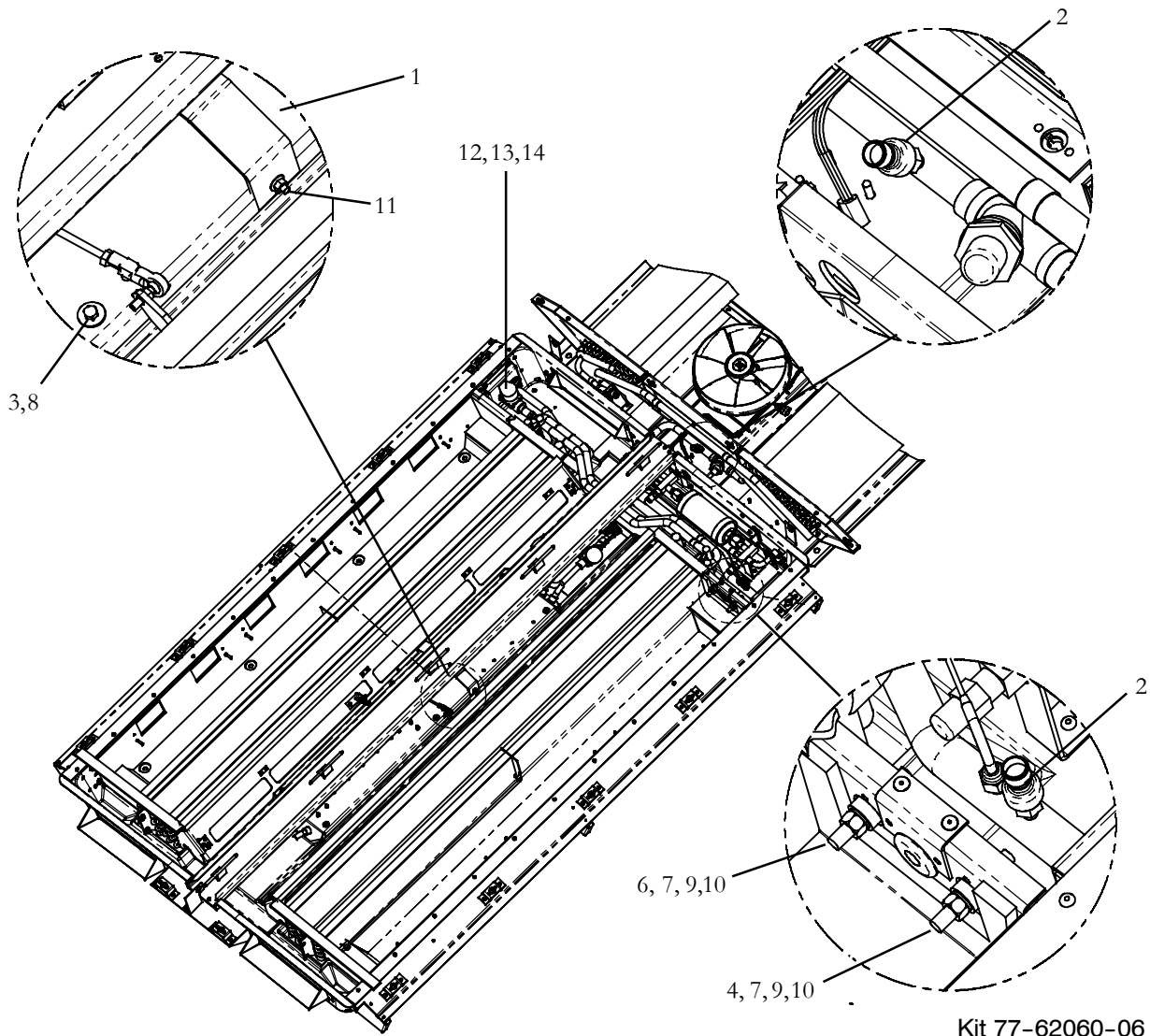


Kit 77-62060-05 K

Item	Part Number	Description	Qty
1	91-62080-00	Control Panel Assembly, Heat Only, Multiplex	1
2	34-60000-16	Screw, Hex Head, M5 x 16MM Long, SST	6
3	22-62180-01	Block, Junction, Stud Type, 3/8-16 Thread (Red)	1
4	66U1-3882	Wire Tie, Self-Locking, 7 Inches, Black	4
5	34-62021-01	Rivet, Blind, Dome Head, 3/16 Dia., Grip Range: .250-.375	4
6	22-62180-00	Block, Junction, Stud Type, 3/8-16 Thread (Black)	1
7	34-60095-46	Washer, Lock, M6 x 18MM O.D., SST	6
8	34-00944-10	Washer, Flat, M10	4
9	34-00946-60	Nut, Hex, M10-1.50, SST	6
10	34-60089-05	Nut, Lock, M5	2
11	22-02392-00	Connector, 2 Pin, Black	1
12	22-02393-01	Terminal, Male, (18-20 AWG)	2
13	22-02394-01	Seal, Cable, Blue	2



14.3 Controller Kit - Micromax, CAN - 05G - Option 6

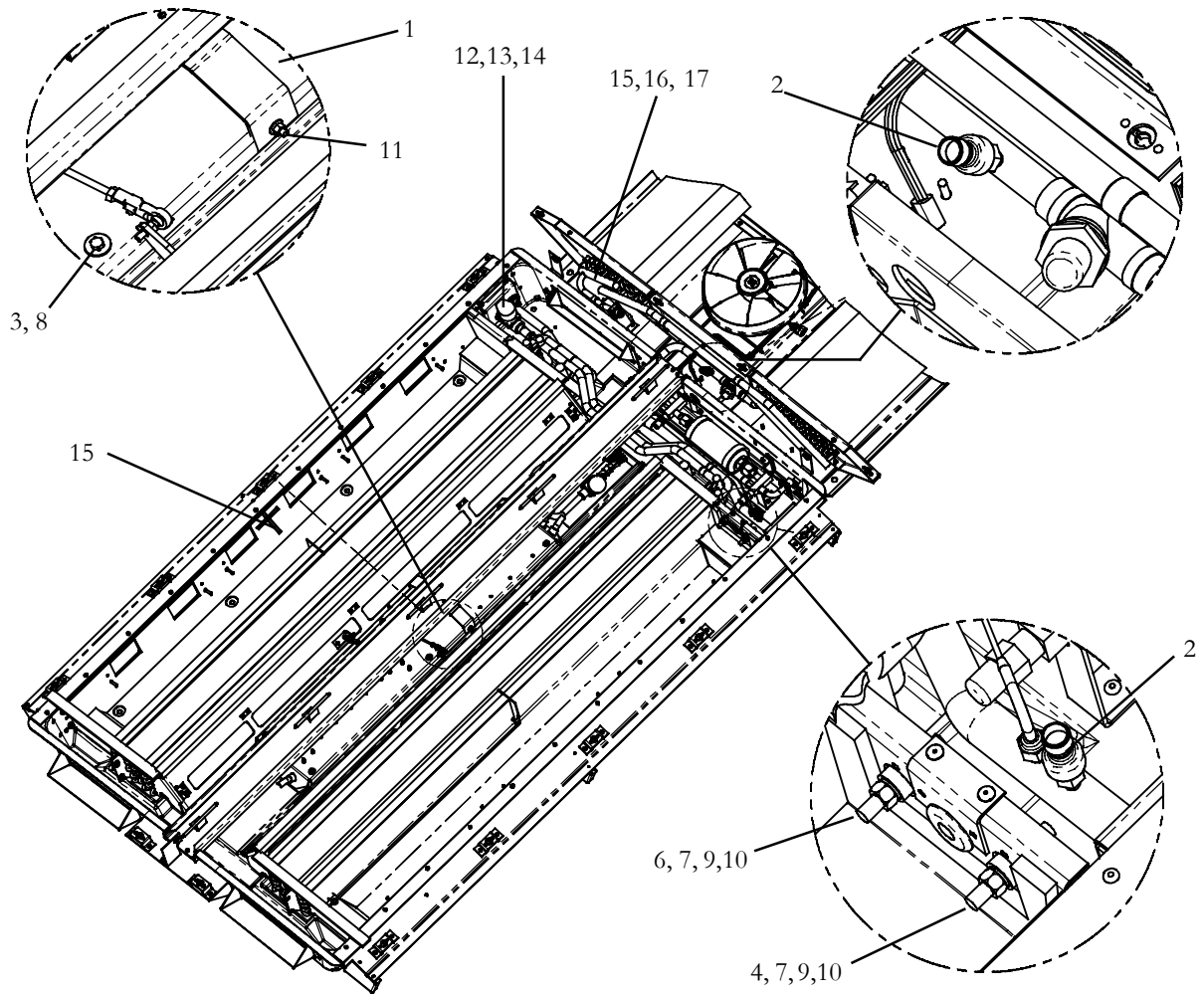


Kit 77-62060-06 K

Item	Part Number	Description	Qty
1	91-62086-00	Control Panel Assembly, Micromax Can +/-	1
2	12-00352-00	Transducer, Pressure, 1/4 SAE Female Flare	2
3	34-60000-16	Screw, Hex Head, M5 x 16MM Long, SST	6
4	22-62180-01	Block, Junction, Stud Type, 3/8-16 Thread (Red)	1
5	66U1-3882	Wire Tie, Self-Locking, 7 Inches (Black)	4
6	34-62021-01	Rivet, Blind, Dome Head, 3/16 Dia., Grip Range: .250-.375	4
7	22-62180-00	Block, Junction, Stud Type, 3/8-16 Thread (Black)	1
8	34-60095-46	Washer, Lock, M6 x 18MM O.D., SST	6
9	34-00944-10	Washer, Flat, M10	4
10	34-00946-60	Nut, Hex, M10-1.50, SST	6
11	34-60089-05	Nut, Lock, M5	2
12	22-02392-00	Connector, 2 Pin, Black	1
13	22-02393-01	Terminal, Male, (18-20 AWG)	2
14	22-02394-01	Seal, Cable, Blue	2



14.4 Controller Kit - Micromax, CAN & Slave Signal - 05G - Option 7



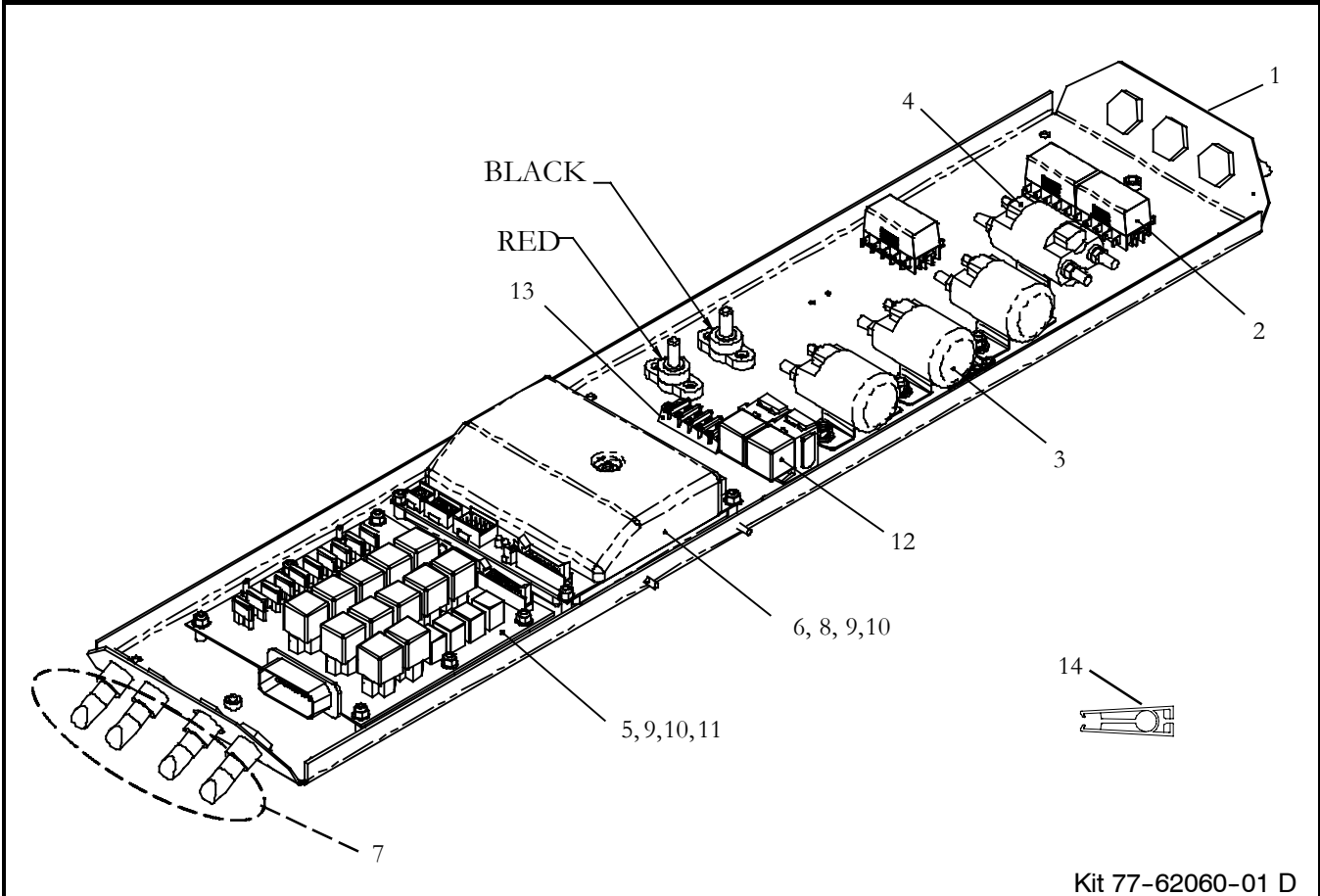
Kit 77-62060-08 L

Item	Part Number	Description	Qty
1	91-62098-00	Control Panel Assembly, Micromax Can +/- (See Section 15.8)	1
2	12-00352-00	Transducer, Pressure, 1/4 SAE Female Flare	2
3	34-60000-16	Screw, Hex Head, M5 x 16MM Long, SST	6
4	22-62180-01	Block, Junction, Stud Type, 3/8-16 Thread (Red)	1
5	66U1-3882	Wire Tie, Self-Locking, 7 Inches (Black)	4
6	34-62021-01	Rivet, Blind, Dome Head, 3/16 Dia., Grip Range: .250-.375	4
7	22-62180-00	Block, Junction, Stud Type, 3/8-16 Thread (Black)	1
8	34-60095-46	Washer, Lock, M6 x 18MM O.D., SST	6
9	34-00944-10	Washer, Flat, M10	4
10	34-00946-60	Nut, Hex, M10-1.50, SST	6
11	34-60089-05	Nut, Lock, M5	2
12	22-02392-00	Connector, 2 Pin (Black)	1
13	22-02393-01	Terminal, Male, (18-20 AWG)	2
14	22-02394-01	Seal, Cable (Blue)	2
15	12-00305-07	Thermistor, Ambient Sensor (ATS)	2
16	44-00045-02	Clamp, Hose, Worm Type (11/16-1-1/4)	1
17	42-00032-00	Tape, Insulation, Prestite, 1/8 Thick x 2.00 x 30.00 Feet Long	1



15 CONTROL PANEL ASSEMBLY

15.1 Control Panel Assembly - Option 1



Kit 77-62060-01 D

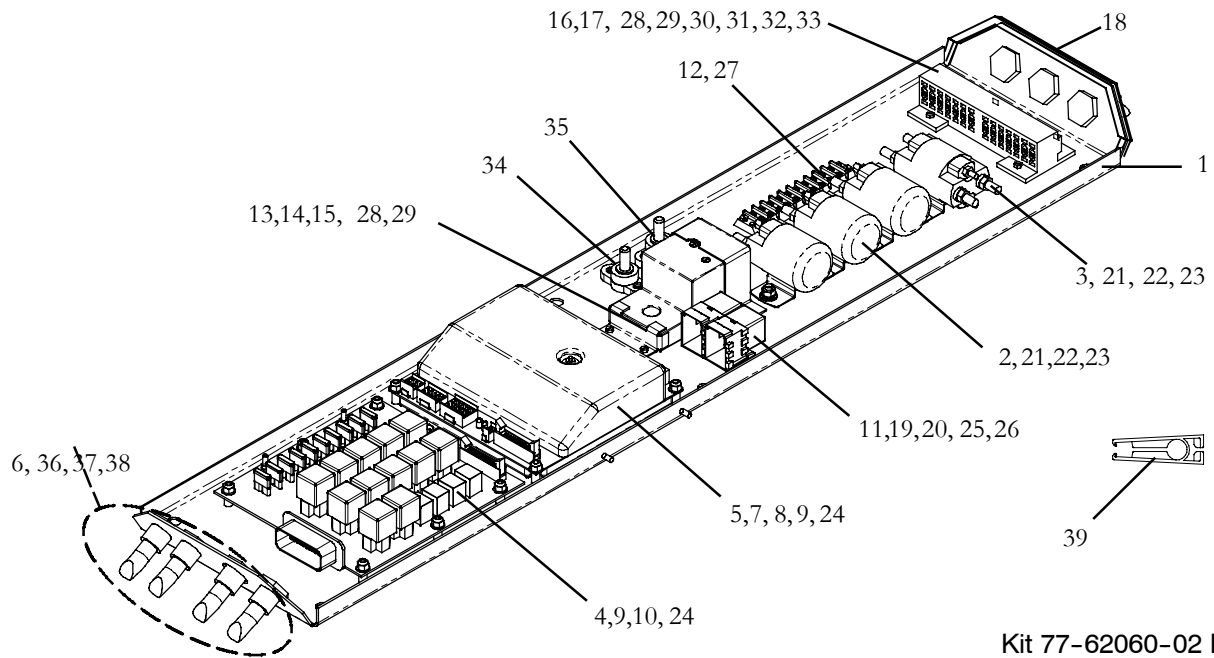
Item	Part Number	Description	Qty
...	91-62043-00	Control Panel Assembly, Micromax, DC Motors - Includes:	1
1	68-62786-00	Panel, Mounting	1
2	22-01827-00	Fuse Holder	3
3	10-00300-02	Contactor, 28 VDC, SPNO	3
4	10-00300-07	Contactor, 28 VDC, SPDT	1
5	12-00486-01	Relay Board - Includes:	1
	10-00286-11	Relay, 24 VDC, 40 Amp, SPDT	11
	10-00286-12	Relay, 24 VDC, 40 Amp, SPDT (K-13)	1
	22-02336-02	Fuse, 5 Amp (F2 thru F9)	8
	22-02336-08	Fuse, 7.5 Amp (F1)	1
	22-02336-06	Fuse, 15 Amp (F10)	1
6	12-00392-13	Module, Logic Controller, 24 VDC - Includes:	1
	22-50236-00	Harness, Ribbon Cable, 26 Pin (Logic Module To Relay Board)	1



15.1 Control Panel Assembly - Option 1 (Continued)			
Item	Part Number	Description	Qty
7	22-62172-00	Wire Harness, Micromax, DC Motors - Includes:	1
	22-50098-16	Connector, Plug Assembly, 35 Position (JA)	1
	22-50138-00	Connector, Female, 4 Position (JB)	1
	22-50144-00	Connector, 4 Position (J1)	1
	22-50145-00	Connector, 4 Position (J2)	1
	22-50146-00	Connector, 9 Position (J3)	1
	22-50143-00	Connector, 15 Position (J4)	1
	CM983-618	Connector, 24 Position (J6)	1
	22-50148-00	Terminal, Female (JB)	3
	22-50198-19	Terminal, Socket, Female (JA)	24
	22-50153-00	Terminal, Socket, Female (J1)	2
	22-50152-00	Terminal, Socket, Female (J2, J3, J4, J6)	20
	22-50252-00	Terminal, Female (Actuator Motor)	2
8	12-00495-02SV	Thermistor Sensor Kit, Ambient Air (Replacement for 12-00305-04)	1
9	34-62000-00	Spacer, Nylon	10
10	58-00511-08	Washer, Flat, 0.22 ID X 0.50 OD, Nylon	10
11	42-62005-00	Gasket, Relay Board	1
12	10-00286-09	Relay, 24 VDC, 40 Amp, SPDT	2
13	22-01563-05	Terminal Block, 4 Poles, #6-32 x 1/4 Inch Long	1
14	22-02336-50	Tool, Fuse Removal	1



15.2 Control Panel Assembly - Option 2



Kit 77-62060-02 K

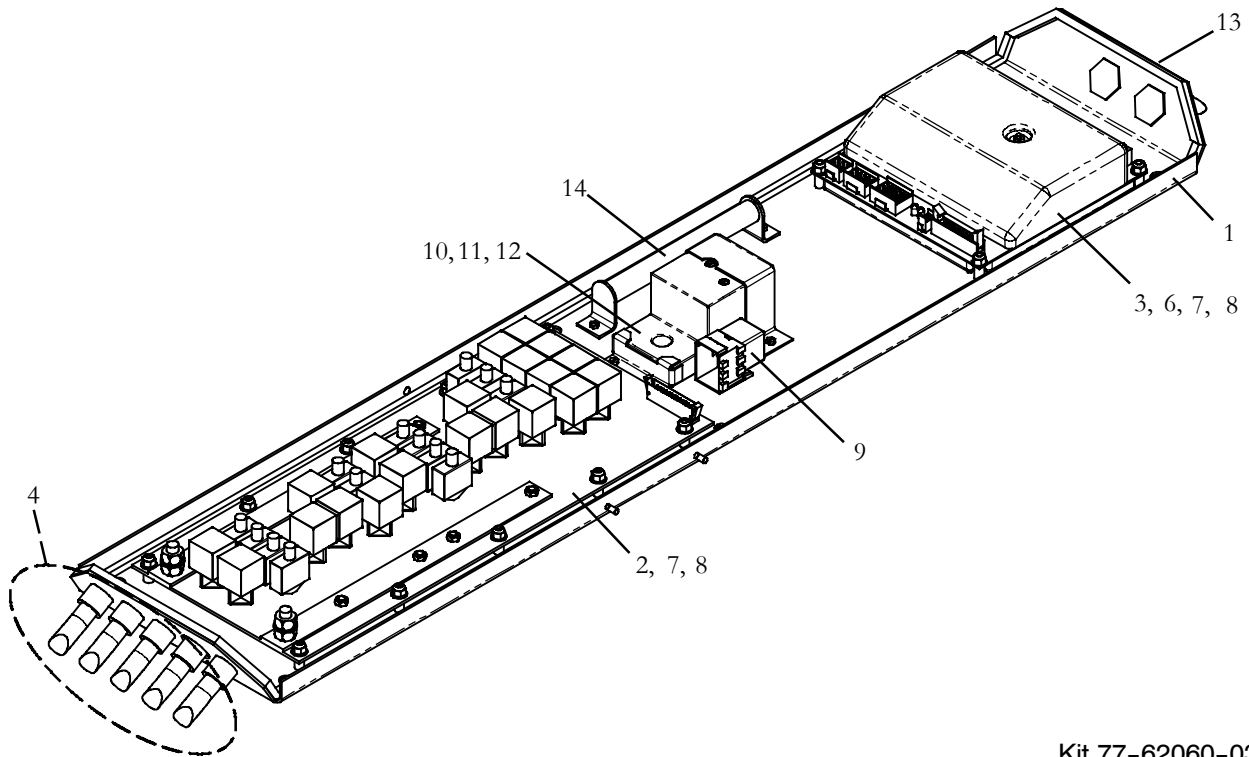
Item	Part Number	Description	Qty
...	91-62054-00	Control Panel Assembly, Micromax Belimo, DC Motors - Includes:	1
1	68-63750-00	Panel, Mounting	1
2	10-00300-02	Contactor, 28 VDC, SPNO	3
3	10-00300-07	Contactor, 28 VDC, SPDT	1
4	12-00486-01	Relay Board - Includes:	1
	10-00286-11	Relay, 24 VDC, 40 Amp, SPDT	11
	22-02336-02	Fuse, 5 Amp (F2 thru F9)	8
	22-02336-08	Fuse, 7.5 Amp (F1)	1
	22-02336-06	Fuse, 15 Amp (F10)	1
5	10-00286-12	Relay, 24 VDC, 40 Amp, SPDT (K-13)	1
	12-00392-15	Module, Logic Controller, 24 VDC (300 PSI) - Includes:	1
	22-50236-00	Harness, Ribbon Cable, 26 Pin (Logic Module To Relay Board)	1
6	22-62172-00	Wire Harness, Micro Max, DC Motors - Includes:	1
	22-50098-16	Connector, Plug Assembly, 35 Position (JA)	1
	22-50138-00	Connector, Female, 4 Position (JB)	1
	22-50144-00	Connector, 4 Position (J1)	1
	22-50145-00	Connector, 4 Position (J2)	1
	22-50146-00	Connector, 9 Position (J3)	1
	22-50143-00	Connector, 15 Position (J4)	1
	CM983-618	Connector, 24 Position (J6)	1
	22-50148-00	Terminal, Female (JB)	3
	22-50098-19	Terminal, Socket, Female (JA)	24
	22-50153-00	Terminal, Socket, Female (J1)	2
	22-50152-00	Terminal, Socket, Female (J2, J3, J4, J6)	20
	22-50252-00	Terminal, Female (Actuator Motor)	2
7	12-00495-02SV	Thermistor Sensor Kit, Ambient Air (replacement For 12-00305-04)	1



15.2 Control Panel Assembly - Option 2 (Continued)			
Item	Part Number	Description	Qty
8	34-62000-00	Spacer, Nylon	10
9	58-00511-08	Washer, Nylon, Flat, 0.22 ID X 0.50 OD	10
10	42-62005-00	Gasket, Relay Board, Foam	1
11	10-00286-09	Relay, 24 VDC, 40 Amp, SPDT	2
12	22-01563-02	Block, Terminal, 10 Poles #6-32 X 1/4 Inch Long	1
13	HF23BJ039	Actuator, Motor, Non-Spring Return (Old)	1
	54-00635-00	Actuator, Motor, Non-Spring Return (New)	1
14	68-63332-00	Bracket, Mounting, Actuator	1
15	68-63333-00	Bracket, Mounting, Actuator (Old)	1
	68-63762-00	Bracket, Mounting, Actuator (New)	1
16	22-62036-00	Holder, Fuse	2
17	22-62038-00	Bracket, Mounting, Fuse Holder	1
18	42-00221-09	Gasket, Foam, .25 X 106.00 Inches, Adhesive Backed	1
19	AC201-901	Connector, Relay Socket	2
20	AC201-931	Lock, Connector, Relay	2
21	34-00666-11	Nut, Hex, 1/4-20 Inch, SST	5
22	34-06212-12	Washer, Plain, Type A, 1/4	5
23	34-00663-11	Washer, Split Lock, 1/4 Zinc	5
24	34-00361-61	Nut, Self-Locking, 1/4 Zinc	4
25	66U1-5371	Screw, Hex Head, Slotted, #8-32 x 1/2 Inch Long, SST	2
26	34-00664-08	Washer, Lock, Internal Tooth, #8	4
27	66U1-5371-5	Screw, Hex Head, Slotted, #8-32 x 3/4 Inch Long, SST	2
28	34-00664-09	Washer, Lock, Internal Tooth, #10	8
29	34-06069-04	Screw, Hex Head, Slotted, #10-32 x 1/2 Inch Long, SST	8
30	22-62039-01	Lock, Secondary, Fuse Holder	24
31	22-62040-00	Lock, Secondary Wedge, Fuse Holder	1
32	62-62074-00	Label, Fuse Identification (F11 Thru F16)	1
33	62-62074-01	Label, Fuse Identification (F17 Thru F22)	1
34	22-50098-91	Junction Block, 3/8-16 Stud, Red	1
35	22-50098-91A	Junction Block, 3/8-16, Stud, Black	1
36	22-62307-02	Connector, Liquid Tight, 1/2 Black	8
37	22-62307-04	Connector, Liquid Tight, 3/4 Black	1
38	58-00616-18	Plug, Hole, 3/4 Black	1
N/S	22-01585-03	Connector, Male, 6 Pin, Black	1
N/S	22-02392-02	Connector, Female, 6 Pin, Black	1
39	22-02336-50	Tool, Fuse Removal	1



15.3 Control Panel Assembly - Option 3



Kit 77-62060-03 K

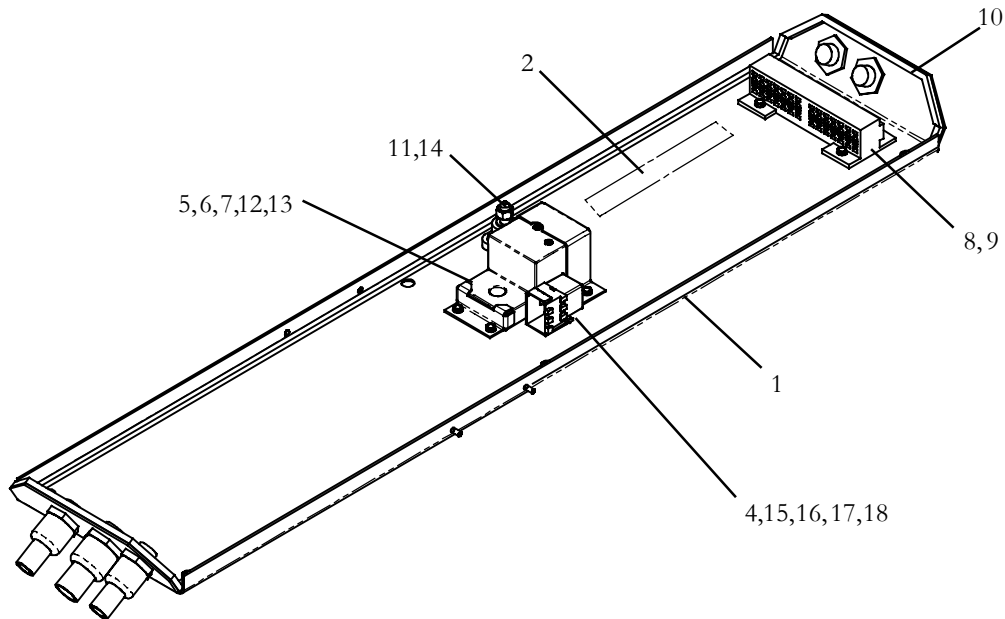
Item	Part Number	Description	Qty
...	91-62055-00	Control Panel Assembly, Micromax, With GR60 Relay Board - Includes:	1
1	68-63418-00	Panel, Mounting	1
2	12-00393-00	Board Assembly, Relay - Includes:	1
	10-00286-09	Relay, SPDT, 24 VDC	20
3	12-00392-15	Module, Logic Controller, 24 VDC (300 PSI) - Includes:	1
	22-50236-00	Harness, Ribbon Cable, 26 Pin (Logic Module To Relay Board)	1
4	22-62199-00	Wire Harness, Micro Max, PM Motors - Includes:	1
	22-50144-00	Connector, 4 Position (J1)	1
	22-50145-00	Connector, 4 Position (J2)	1
	22-50146-00	Connector, 9 Position (J3)	1



15.3 Control Panel Assembly - Option 3 (Continued)			
Item	Part Number	Description	Qty
5	22-50143-00	Connector, 15 Position (J4)	1
	CM983-618	Connector, 24 Position (J6)	1
	22-50134-00	Connector, Female, 2 Position (EF1 Thru EF6) (CF1 Thru CF6)	12
	22-50135-00	Connector, Female, 3 Position (JP3)	1
	22-50136-00	Connector, Female, 6 Position (JP4)	1
	22-50137-00	Connector, Female, 5 Position (JP5)	1
	22-50138-00	Connector, Female, 4 Position (JP6)	1
	22-02448-00SV	Connector Package, Female - Includes: (DPT, SPT)	2
	NSS	Connector, Female, Black, 3 Pin	1
	22-50100-00	Terminal, Female (16-18 AWG)	3
	AC201-901	Connector, Relay (FAR)	1
	22-50153-00	Terminal, Socket, Female (J1)	3
	22-50152-00	Terminal, Socket, Female (J2, J3, J4, J6)	20
	22-50148-00	Terminal, Female, (EF1 Thru EF6) (CF1 Thru CF6) (JP3 Thru JP6)	36
	22-50252-00	Terminal, Female, (FAR)	5
	22-01566-01	Terminal, Female, (18-20 AWG) (Actuator Motor)	2
6	12-00495-02SV	Thermistor Sensor Kit, Ambient Air (Replacement For 12-00305-04)	1
7	34-62000-00	Spacer, Nylon	14
8	58-00511-08	Washer, Flat, Nylon, 0.031 Thick X 0.22 ID X 0.50 OD	14
9	10-00286-09	Relay, 24 VDC, 40 Amp, SPDT	1
10	HF23BJ039	Actuator, Motor, Non-Spring Return	1
11	68-63332-00	Bracket, Mounting, Actuator	1
12	68-63333-00	Bracket, Mounting, Actuator	1
13	42-00221-09	Gasket, Foam, .25 X 106.00 Inches, Adhesive Backed	1
14	22-01584-01	Resistor Assembly, 240 Watts, With Bracket	1



15.4 Control Panel Assembly, Multiplex - Option 4

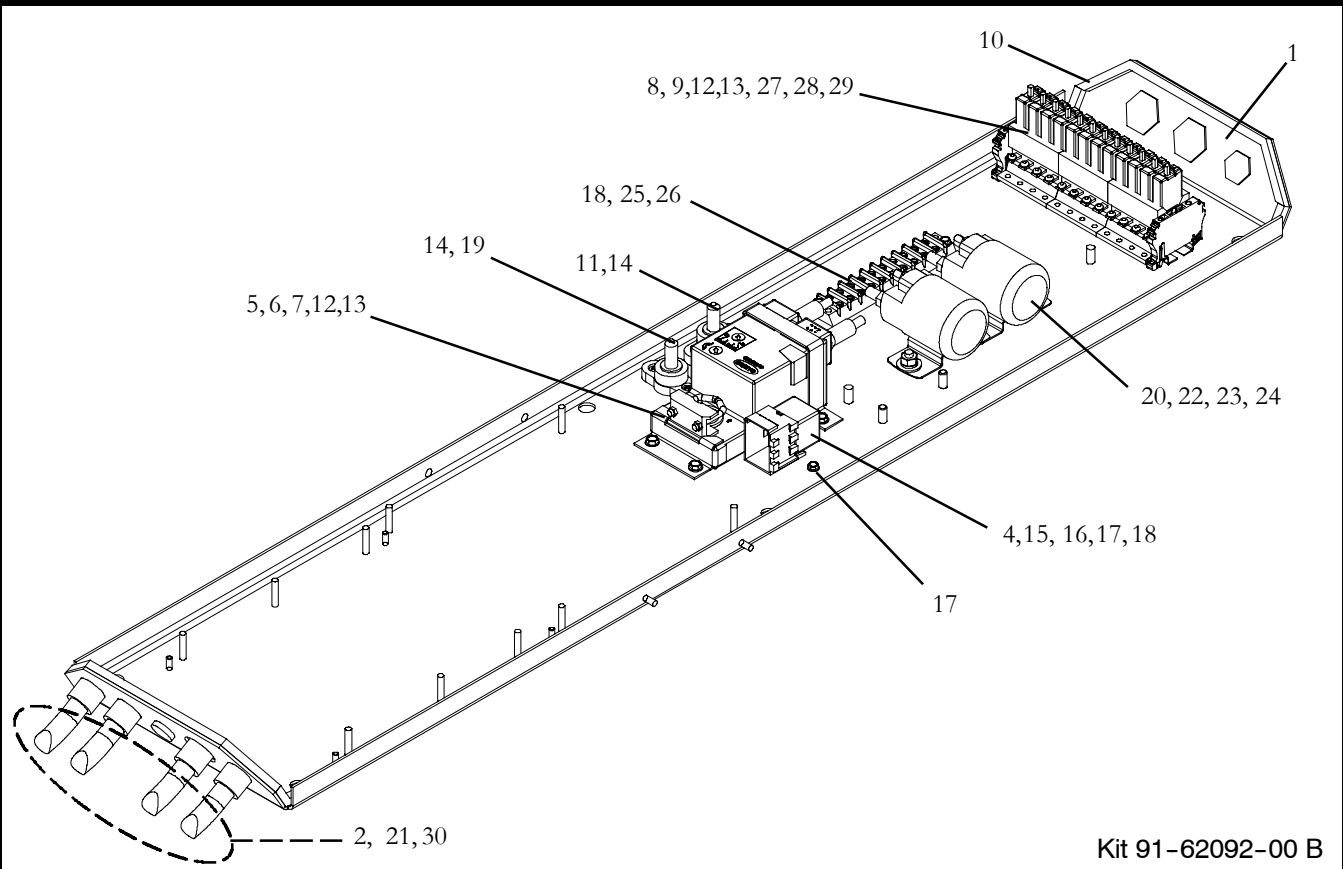


Kit 91-62078-00 B

Item	Part Number	Description	Qty
...	91-62078-00	Control Panel Assembly, Multiplex, Includes:	1
1	68-63692-00	Panel, Mounting	1
2	22-62253-00	Wire Harness, Multiplex - Includes:	1
	22-50351-00	Terminal, With Spring Clip (14-16 AWG)	24
	22-01566-00	Terminal, Socket, Female, (14-16 AWG)	20
	AC201-225	Terminal, Female, (14 AWG)	2
	22-02430-01	Terminal, Female, (1/4 Straight)	12
	22-01566-01	Terminal, Socket, Female, (18-20 AWG)	6
	22-50252-00	Terminal, Female,	2
3	12-00495-02SV	Thermistor (Not Shown in Illustration)	1
4	10-00286-09	Relay, SPDT, 24 VDC	1
5	HF23BJ039	Actuator, Motor, Non-Spring Return (OLD)	1
	54-00635-00	Actuator, Motor, Non-Spring Return (NEW)	1
6	68-63332-00	Bracket, Mounting, Actuator	1
7	68-63333-00	Bracket, Mounting, Actuator (OLD)	1
	68-63762-00	Bracket, Mounting, Actuator (NEW)	1
8	22-62036-00	Holder, Fuse	2
9	22-62038-00	Bracket, Fuse Holder	2
10	42-00221-09	Gasket, Foam, .25 Thick x .25 x 106.00 Inches, Adhesive Backed	1
11	22-50098-91A	Block, Junction, 3/8-16 Stud, Black	1
12	34-06069-04	Screw, Hex Head, Slotted, #10-32 x 0.50 Inch Long, SST	8
13	34-00664-09	Washer, Lock, Internal Tooth, #10, SST	8
14	66U1-6651-12	Screw, Pan Head Slotted, #10-32 x 0.50 Inch Long, SST	2
15	AC201-901	Connector, Relay (FAR)	1
16	AC201-931	Lock, Connector	1
17	66U1-5371	Screw, Cap, Hex Head Slotted, #8-32 x 0.50 Inch Long, SST	1
18	34-00664-08	Washer, Lock, Internal Tooth, #8, SST	1



15.5 Control Panel Assembly, Multiplex (Heat Only)- Option 4 (New)



Kit 91-62092-00 B

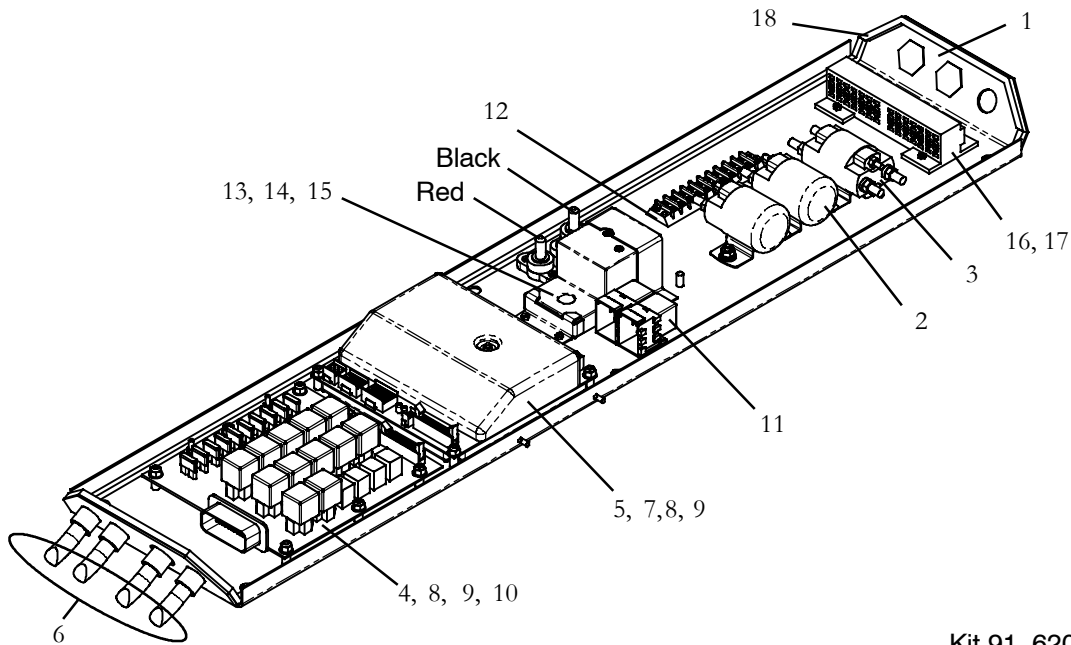
Item	Part Number	Description	Qty
...	91-62092-00	Control Panel Assembly, Heat Only, Multiplex, Includes:	1
1	68-63750-00	Panel, Mounting	1
2	22-62278-00	Wire Harness, Multiplex - Includes::	1
3	12-00495-02SV	Thermistor Sensor Kit (Replacement For 12-00305-04) (Not Shown)	1
4	10-00286-13	Relay, SPDT, 24 VDC	1
5	54-00635-00	Actuator, Motor, Non-Spring Return	1
6	68-63332-00	Bracket, Mounting, Actuator	1
7	68-63762-00	Bracket, Mounting, Actuator	1
8	22-62295-00	Holder, Fuse	3
9	68-63807-00	Rail, Din	1
10	42-00221-09	Gasket, Foam, .25 Thick x .25 x 106.00 Inches, Adhesive Backed	1
11	22-50098-91A	Block, Junction, 3/8-16 Stud, Black	1
12	34-06069-04	Screw, Hex Head, Slotted, #10-32 x 0.50 Inch Long, SST	8
13	34-00664-09	Washer, Lock, Internal Tooth, #10, SST	8
14	66U1-6651-12	Screw, Pan Head Slotted, #10-32 x 0.50 Inch Long, SST	4
15	AC201-901	Connector, Relay (FAR)	1
16	AC201-931	Lock, Connector	1
17	66U1-5371	Screw, Cap, Hex Head Slotted, #8-32 x 0.50 Inch Long, SST	2
18	34-00664-08	Washer, Lock, Internal Tooth, #8, SST	3
19	22-50098-91	Block, Junction, 3/8-16 Stud, Red	1
20	10-00300-02	Contactor, 28 VDC, SPNO	2
21	12-00305-07	Thermistor, Ambient Sensor	1



15.5 Control Panel Assembly, Multiplex (Heat Only)- Option 4 (New) (Continued)			
Item	Part Number	Description	Qty
22	34-00666-11	Nut, Hex	3
23	34-06212-12	Washer, Plain, Type A, 1/4	3
24	34-00663-11	Washer, Split Lock, 1/4 Inch, SST	3
25	22-01563-02	Block, Terminal, 10 Poles #6-32 x 1/4 Inch Long	1
26	66U1-5371-5	Screw, Hex Head, Slotted, #8-32 x 3/4 Inch Long, SST	2
27	10-00479-00	Circuit Breaker, Thermal Resetable, 15 AMP, Blue	6
28	10-00479-01	Circuit Breaker, Thermal Resetable, 20 AMP, Yellow	6
29	22-62296-00	Support, Fuse Holder	2
30	22-01030-17	Diode Assembly, 6 AMP	3



15.6 Control Panel Assembly, Micromax (No Transducers) - Option 5



Kit 91-62080-00 C

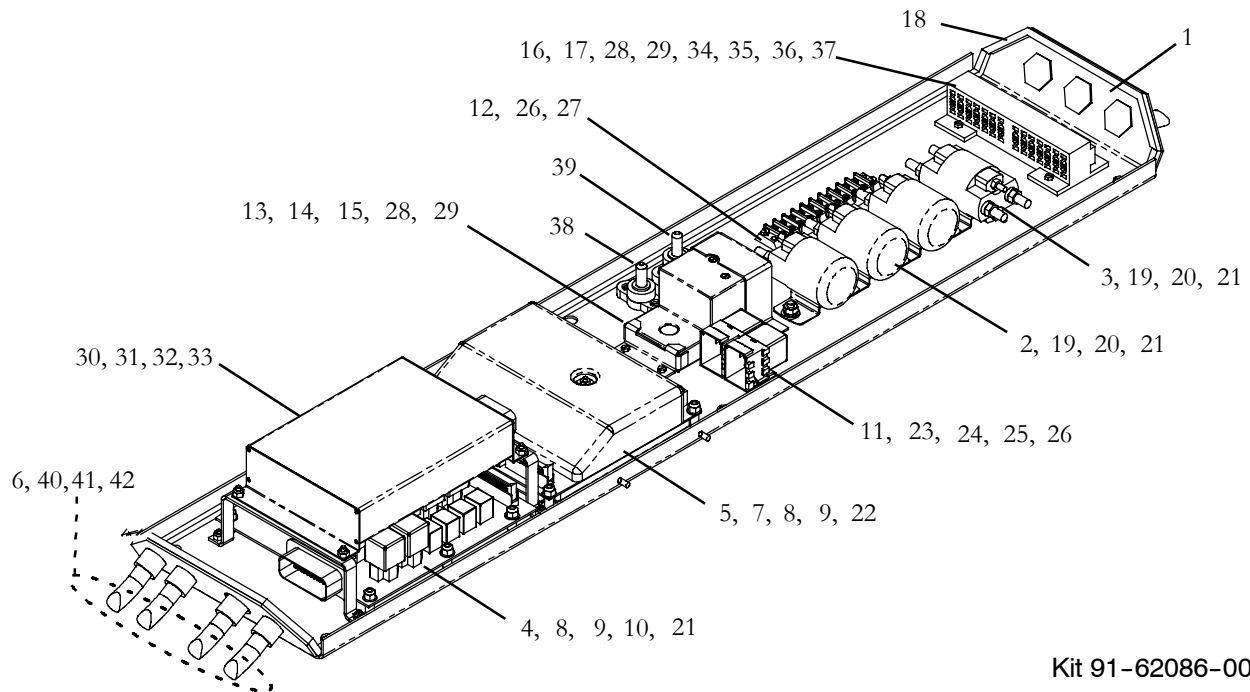
Item	Part Number	Description	Qty
...	91-62080-00	Control Panel Assembly, Micro Max, Heat Only - Includes:	1
1	68-63750-00	Panel, Mounting	1
2	10-00300-02	Contactor, 28 VDC, SPNO	2
3	10-00300-07	Contactor, 28 VDC, SPDT	1
4	12-00486-01	Board, Relay - Includes:	1
	10-00286-11	Relay, 24 VDC, 40 Amp, SPDT	11
	22-02336-02	Fuse, 5 Amp (F2 thru F9)	8
	22-02336-08	Fuse, 7-1/2 Amp (F1)	1
	22-02336-06	Fuse, 15 Amp (F10)	1
5	10-00286-12	Relay, 24 VDC, 40 Amp, SPDT (K13)	1
	12-00392-15	Module, Logic Controller, 24 VDC (300 PSI) - Includes:	1
	22-50236-00	Harness, Ribbon Cable, 26 Pin (Logic Module To Relay Board)	1
6	22-62254-00	Wire Harness, Micromax, Heat Only - Includes:	1
	22-50098-16	Connector, Plug Assembly, 35 Position (JA)	1
	22-50138-00	Connector, Female, 4 Position (JB)	1
	22-50144-00	Connector, 4 Position (J1)	1
	22-50145-00	Connector, 4 Position (J2)	1
	22-50146-00	Connector, 9 Position (J3)	1
	22-50143-00	Connector, 15 Position (J4)	1
	CM983-618	Connector, 24 Position (J6)	1
	22-50148-00	Terminal, Female (JB)	3
	22-50098-19	Terminal, Socket, Female (JA)	18
	22-50153-00	Terminal, Socket, Female (J1)	2
	22-50152-00	Terminal, Socket, Female (J2, J3, J4, J6)	7
	22-50351-00	Terminal, With Spring Clip (14-16 AWG) (F11-F16)	14



15.6 Control Panel Assembly, Micromax (No Transducers) - Option 5 (Continued)			
Item	Part Number	Description	Qty
7	12-00495-02SV	Thermistor Sensor Kit, Return Air (Replacement For 12-00305-04)	1
8	34-62000-00	Spacer, Nylon	10
9	58-00511-08	Washer, Flat, Nylon, 0.031 Thick x 0.22 ID x 0.50 OD	10
10	42-62005-00	Gasket, Relay Board, Foam	1
11	10-00286-09	Relay, 24 VDC, 40 Amp, SPDT	2
12	22-01563-02	Block, Terminal, 10 Poles #6-32 x 1/4 Inch Long	1
13	HF23BJ039	Actuator, Motor, Non-Spring Return (OLD)	1
	54-00635-00	Actuator, Motor, Non-Spring Return (NEW)	
14	68-63332-00	Bracket, Mounting, Actuator	1
15	68-63333-00	Bracket, Mounting, Actuator (OLD)	1
	68-63762-00	Bracket, Mounting, Actuator (NEW)	
16	22-62036-00	Holder, Fuse	2
17	22-62038-00	Bracket, Mounting, Fuse Holder	2
18	42-00221-09	Gasket, Foam, .25 Thick x .25 x 106.00 Inches, Adhesive Backed	1
N/S	12-00305-07	Thermistor, Ambient Sensor (ATS)	1



15.7 Control Panel Assembly, Micromax (CAN), 05G - Option 6



Kit 91-62086-00 E

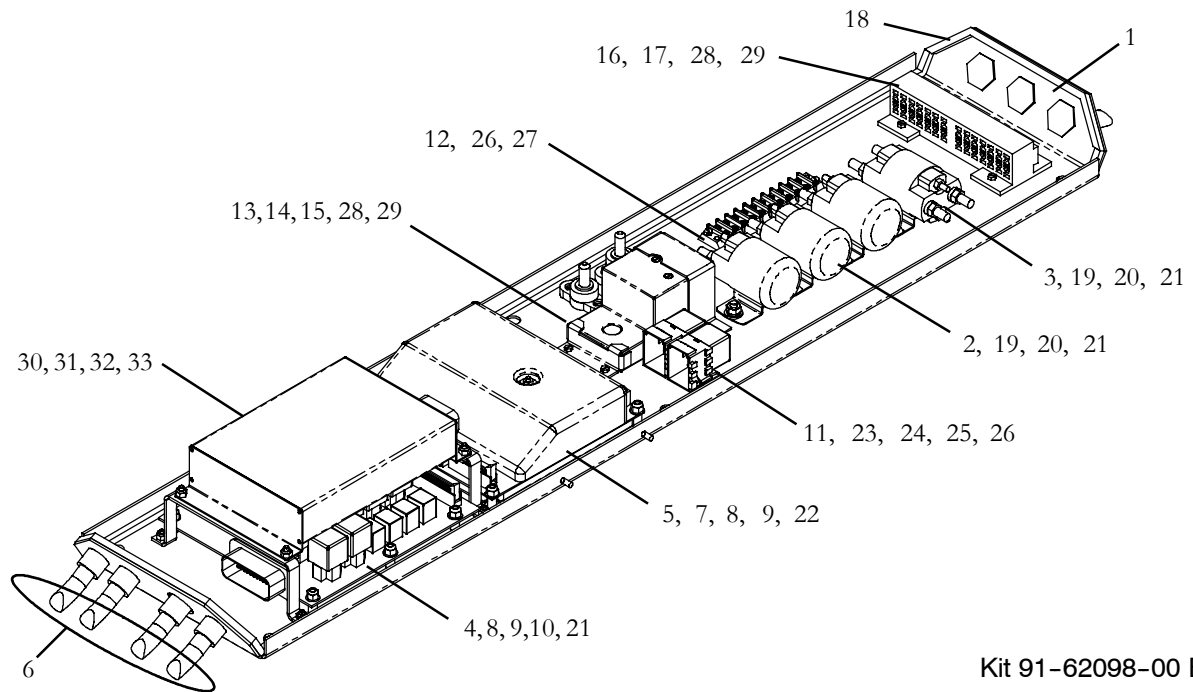
Item	Part Number	Description	Qty
...	91-62086-00	Electrical Control Panel, Micromax Can +/-, Includes:	1
1	68-63750-00	Panel, Mounting	1
2	10-00300-02	Contactors, 28 VDC, SPNO	3
3	10-00300-07	Contactors, 28 VDC, SPDT	1
4	12-00486-01	Board, Relay - Includes:	1
	10-00286-11	Relay, 24 VDC, 40 Amp, SPDT	11
	22-02336-02	Fuse, 5 Amp (F2 thru F9)	8
	22-02336-08	Fuse, 7-1/2 Amp (F1)	1
	22-02336-06	Fuse, 15 Amp (F10)	1
5	10-00286-12	Relay, 24 VDC, 40 Amp, SPDT (K13)	1
	12-00392-15	Module, Logic Controller, 24 VDC (300 PSI) - Includes:	1
	22-50236-00	Harness, Ribbon Cable, 26 Pin (Logic Module To Relay Board)	1
6	22-62262-00	Wire Harness, Micromax Can	1
7	12-00495-02SV	Thermistor Sensor Kit, Return Air (Replacement For 12-00305-04) RAS	1
8	34-62000-00	Spacer, Nylon	10
9	58-00511-08	Washer, Flat, Nylon, 0.031 Thick x 0.22 ID x 0.50 OD	10
10	42-62005-00	Gasket, Relay Board, Foam	1
11	10-00286-09	Relay, 24 VDC, 40 Amp, SPDT	2
12	22-01563-02	Block, Terminal, 10 Poles #6-32 x 1/4 Inch Long	1
13	HF23BJ039	Actuator, Motor, Non-Spring Return (OLD)	1
	54-00635-00	Actuator, Motor, Non-Spring Return (NEW)	
14	68-63332-00	Bracket, Mounting, Actuator	1
15	68-63333-00	Bracket, Mounting, Actuator (OLD)	1
	68-63762-00	Bracket, Mounting, Actuator (NEW)	



15.7 Control Panel Assembly, Micromax (CAN), 05G - Option 6 (Continued)			
Item	Part Number	Description	Qty
16	22-62036-00	Holder, Fuse	2
17	22-62038-00	Bracket, Mounting, Fuse Holder	2
18	42-00221-09	Gasket, Foam, .25 Thick x .25 x 106.00 Inches, Adhesive Backed	1
19	34-00666-11	Nut, Hex, 1/4-20, SST	5
20	34-06212-12	Washer, Plain, 1/4, SST	5
21	34-00663-11	Washer, Split Lock, 1/4, SST	5
22	34-00361-61	Nut, Self Locking, 1/4-20	4
23	AC201-901	Connector, Relay	2
24	AC201-931	Lock, Connector, Relay	2
25	66U1-5371	Screw, Cap, Hex Head Slotted, #8-32 x 0.50 Inch Long, SST	2
26	34-00664-08	Washer, Lock, Internal Tooth, #8, SST	4
27	66U1-5371-5	Screw, Cap, Hex Head Slotted, #8-32 x 3/4 Inch Long, SST	2
28	34-00664-09	Washer, Lock, Internal Tooth, #10, SST	8
29	34-06069-04	Screw, Hex Head, Slotted, #10-32 x 0.50 Inch Long, SST	8
30	68-63749-00	Bracket Assembly, Control Box	2
31	12-00659-00	Logic Board, Data Communications, 24 VDC	1
32	22-62265-00	Harness, Data Communications - Includes:	1
	22-50098-40	Connector, Plug Assembly, 23 Position (CAN)	1
	22-01258-01	Terminal, Female, (18-22 AWG)	2
	22-01566-01	Terminal, Female, (18-22 AWG) (C1, C1N & C1Q)	3
	22-50153-00	Terminal, Socket, Female (J1)	2
33	34-00361-08	Nut, Self Locking, #8-32	8
34	22-62039-01	Lock, Secondary, Fuse Holder	24
35	22-62040-00	Lock, Secondary Wedge, Fuse Holder	1
36	62-62074-00	Label, Fuse Identification (F11 Thru F16)	1
37	62-62074-01	Label, Fuse Identification (F17 Thru F22)	1
38	22-50098-91	Junction Block, 3/8-16 Stud, Red	1
39	22-50098-91A	Junction Block, 3/8-16 Stud, Black	1
40	22-62307-02	Connector, Liquid Tight, 1/2 Black	8
41	22-62307-04	Connector, Liquid Tight, 3/4 Black	1
42	22-01173-09	Connector, Liquid Tight	1
N/S	22-01585-03	Connector, Male, 6 Pin, Black	1
N/S	22-02392-02	Connector, Female, 6 Pin, Black	1



15.8 Control Panel Assembly, Micromax (CAN & Slave Signal), 05G - Option 7



Kit 91-62098-00 B

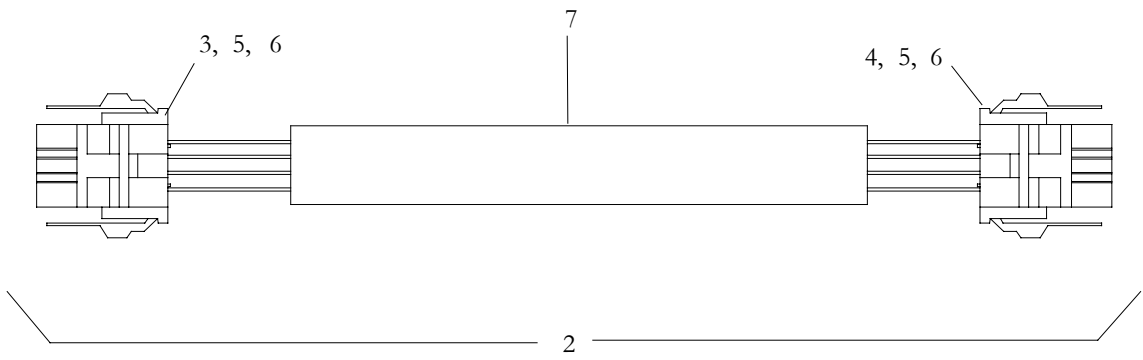
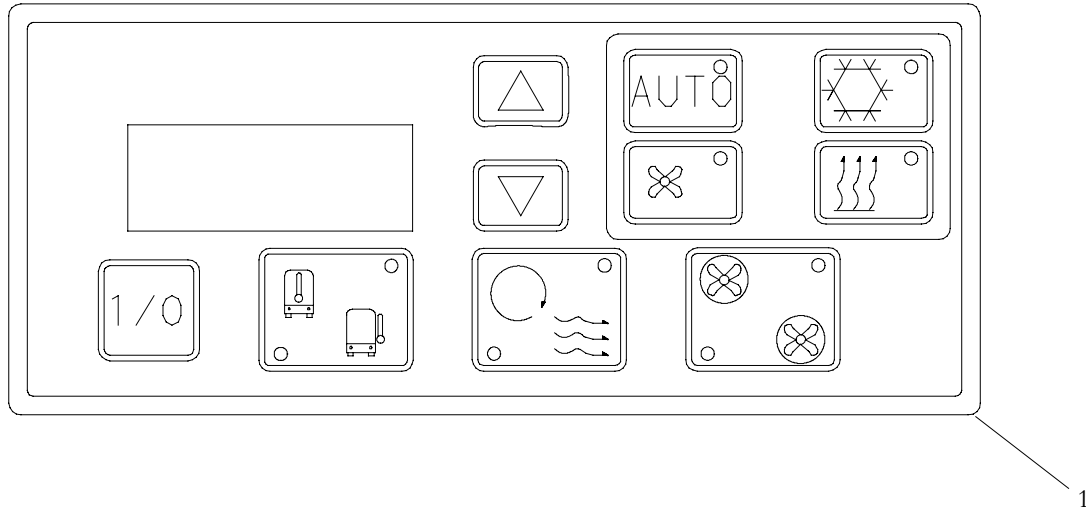
Item	Part Number	Description	Qty
...	91-62098-00	Control Panel Assembly, Micromax Can +/-, Includes:	1
1	68-63750-00	Panel, Mounting	1
2	10-00300-02	Contactor, 28 VDC, SPNO	3
3	10-00300-07	Contactor, 28 VDC, SPD'T	1
4	12-00486-01	Board, Relay - Includes:	1
	10-00286-11	Relay, 24 VDC, 40 Amp, SPD'T	11
	22-02336-02	Fuse, 5 Amp (F2 thru F9)	8
	22-02336-08	Fuse, 7-1/2 Amp (F1)	1
	22-02336-06	Fuse, 15 Amp (F10)	1
5	10-00286-12	Relay, 24 VDC, 40 Amp, SPD'T (K13)	1
	12-00684-00	Module, Logic Controller, 24 VDC (350 PSI) - Includes:	1
	22-50236-00	Harness, Ribbon Cable, 26 Pin (Logic Module To Relay Board)	1
6	22-62304-00	Wire Harness, Micromax Can	1
7	12-00495-02SV	Thermistor Sensor Kit, Return Air (Replacement For 12-00305-04) RAS	1
8	34-62000-00	Spacer, Nylon	10
9	58-00511-08	Washer, Flat, Nylon, 0.031 Thick x 0.22 ID x 0.50 OD	10
10	42-62005-00	Gasket, Relay Board, Foam	1
11	10-00286-13	Relay, 24 VDC, 40 Amp, SPD'T	2
12	22-01563-02	Block, Terminal, 10 Poles #6-32 x 1/4 Inch Long	1
13	54-00635-00	Actuator, Motor, Non-Spring Return	1
14	68-63332-00	Bracket, Mounting, Actuator	1
15	68-63762-00	Bracket, Mounting, Actuator	1
16	22-62036-00	Holder, Fuse	2



15.8 Control Panel Assembly, Micromax (CAN & Slave Signal), 05G - Option 7 (Continued)			
Item	Part Number	Description	Qty
17	22-62038-00	Bracket, Mounting, Fuse Holder	2
18	42-00221-09	Gasket, Foam, .25 Thick x .25 x 106.00 Inches, Adhesive Backed	1
19	34-00666-11	Nut, Hex, 1/4-20, SST	5
20	34-06212-12	Washer, Plain, 1/4, SST	5
21	34-00663-11	Washer, Split Lock, 1/4, SST	5
22	34-00361-61	Nut, Self Locking, 1/4-20	4
23	AC201-901	Connector, Relay	2
24	AC201-931	Lock, Connector, Relay	2
25	66U1-5371	Screw, Cap, Hex Head Slotted, #8-32 x 0.50 Inch Long, SST	2
26	34-00664-08	Washer, Lock, Internal Tooth, #8, SST	4
27	66U1-5371-5	Screw, Cap, Hex Head Slotted, #8-32 x 3/4 Inch Long, SST	2
28	34-00664-09	Washer, Lock, Internal Tooth, #10, SST	8
29	34-06069-04	Screw, Hex Head, Slotted, #10-32 x 0.50 Inch Long, SST	8
30	68-63749-00	Bracket Assembly, Control Box	2
31	12-00659-00	Logic Board, Data Communications, 24 VDC	1
32	22-62265-00	Harness, Data Communications - Includes:	1
	22-50098-16	Connector, Plug Assembly, 35 Position (JA)	1
	22-50138-00	Connector, Female, 4 Position (JB)	1
	22-50144-00	Connector, 4 Position (J1)	1
	22-50145-00	Connector, 4 Position (J2)	1
	22-50146-00	Connector, 9 Position (J3)	1
	22-50143-00	Connector, 15 Position (J4)	1
	CM983-618	Connector, 24 Position (J6)	1
	22-50148-00	Terminal, Female (JB)	3
	22-50098-19	Terminal, Socket, Female (JA)	24
	22-50153-00	Terminal, Socket, Female (J1)	2
	22-50351-00	Terminal, Female	6
33	34-00361-08	Nut, Self Locking, #8-32	8
34	22-62039-01	Lock, Secondary, Fuse Holder	24
35	22-62040-00	Lock, Secondary Wedge, Fuse Holder	1
36	62-62074-00	Label, Fuse Identification (F11 Thru F16)	1
37	62-62074-01	Label, Fuse Identification (F17 Thru F22)	1
38	58-00065-26	Grommet, .75 ID x 1.06 OD, .06 Groove	1
39	58-00065-42	Grommet, .25 ID x .75 OD, .06 Groove	1
40	22-01030-17	Diode Assembly, 6 AMP	3
41	22-62309-00	Diode, 35 AMP	5
42	34-00665-11	Nut, Hex, 1/4-28, SST	5
43	34-00662-11	Washer, Plain, 1/4, SST	5
44	22-50098-91	Junction Block, 3/8-16 Stud, Red	1
45	22-50098-91A	Junction Block, 3/8-16 Stud, Black	1



16 MICROMATE CONTROL PANEL & HARNESS



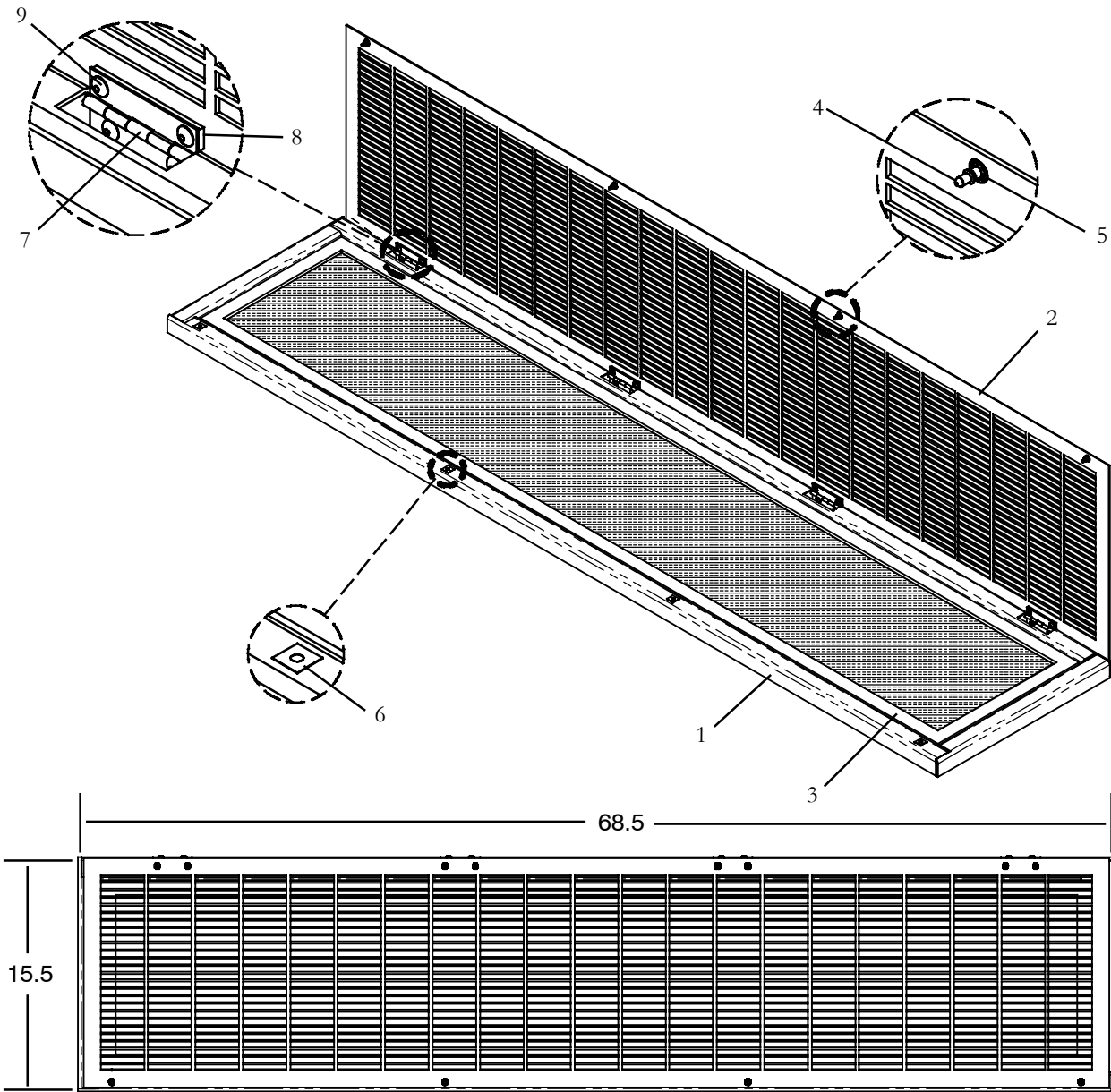
Kit 76-62124-00

Item	Part Number	Description	Qty
1	12-00391-03	Module, Drivers Display (Micromate Control Panel)	1
2	22-62063-01	Wire Harness, 320 Inches (Used With Micromate As A Diagnostic Tool, Connects To J2 Port On Controller Logic Module) - Includes::	1
	22-62063-02	Wire Harness, 120 Inches (Used With Micromate As A Diagnostic Tool, Connects To J2 Port On Controller Logic Module) - Includes:	
3	22-62026-00	Connector, Rectangular, 6 Pin, Brick Red (MCP)	1
4	22-50145-00	Connector, Plug, 4 Pin	1
5	22-50152-00	Terminal, Socket, Female (MCP)	8
6	22-02394-02	Seal, Cable, Green (.06 - .08 Cable OD)	8
7	58-00848-00	Tubing, Split, Corrugated, 1/2 Inch ID x 25 Feet Long	1



17 RETURN AIR FILTER ASSEMBLY

17.1 Return Air Filter Assembly, Option 1

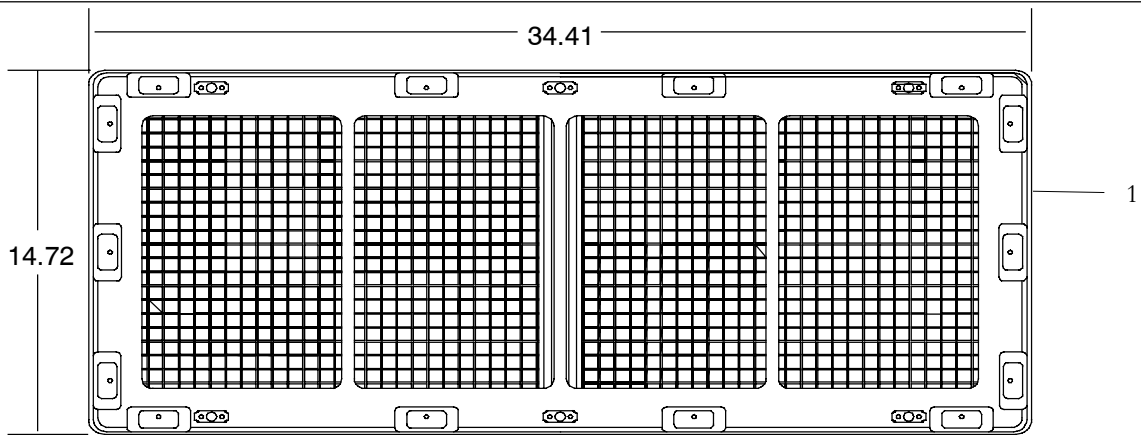
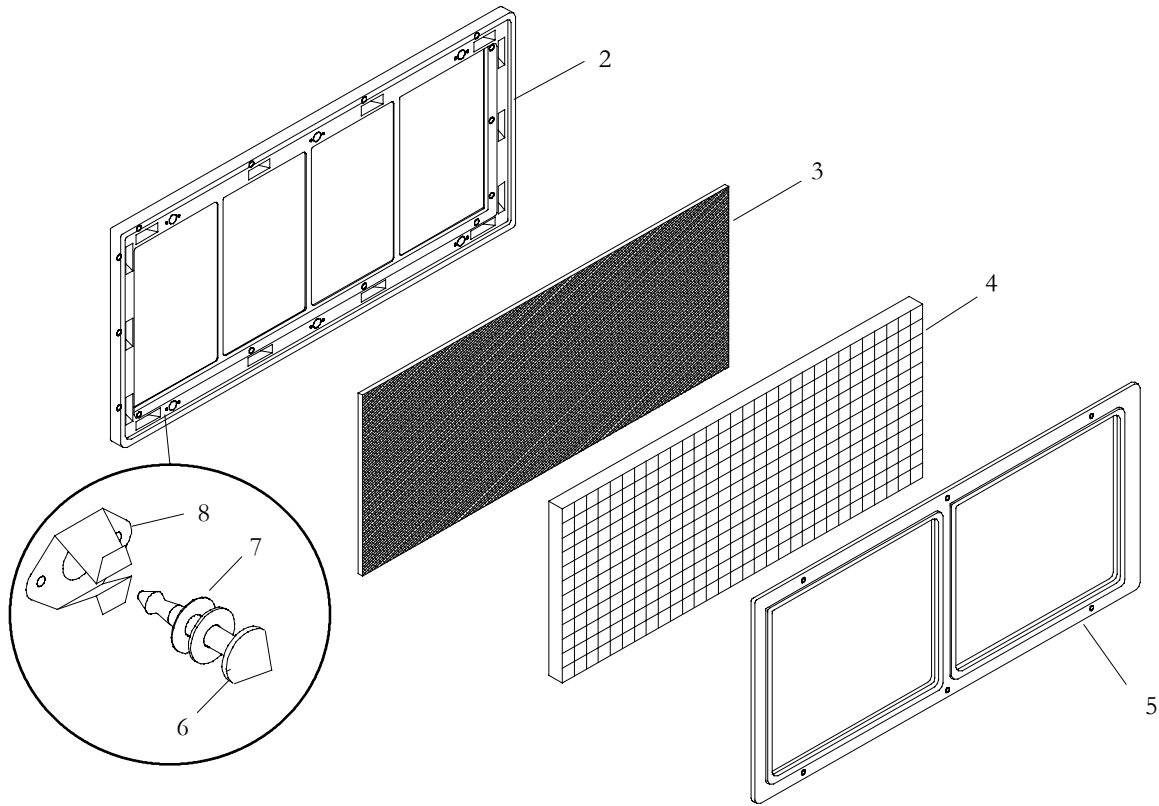


Kit 77-62137-00 C

Item	Part Number	Description	Qty
1	86-62362-00	Frame, Weld Assembly	1
2	68-63303-00	Cover, Filter	1
3	38-00582-00	Filter, Air, HELPA Type	1
4	34-06177-01	Stud, Oval, Slotted, 1/4 turn, 0.575 Inches Long, SST	4
5	34-06169-01	Washer, Retaining, SST	4
6	34-06178-00	Receptacle, 1/4 Turn Stud	4
7	AC040-137	Hinge, Cover, Filter Access	4
8	68-63305-00	Spacer, Cover	4
9	34-62021-01	Rivet, Blind, Dome Head, 3/16 Dia., Grip Range: .250 - .375	16



17.2 Return Air Filter Assembly, Option 2

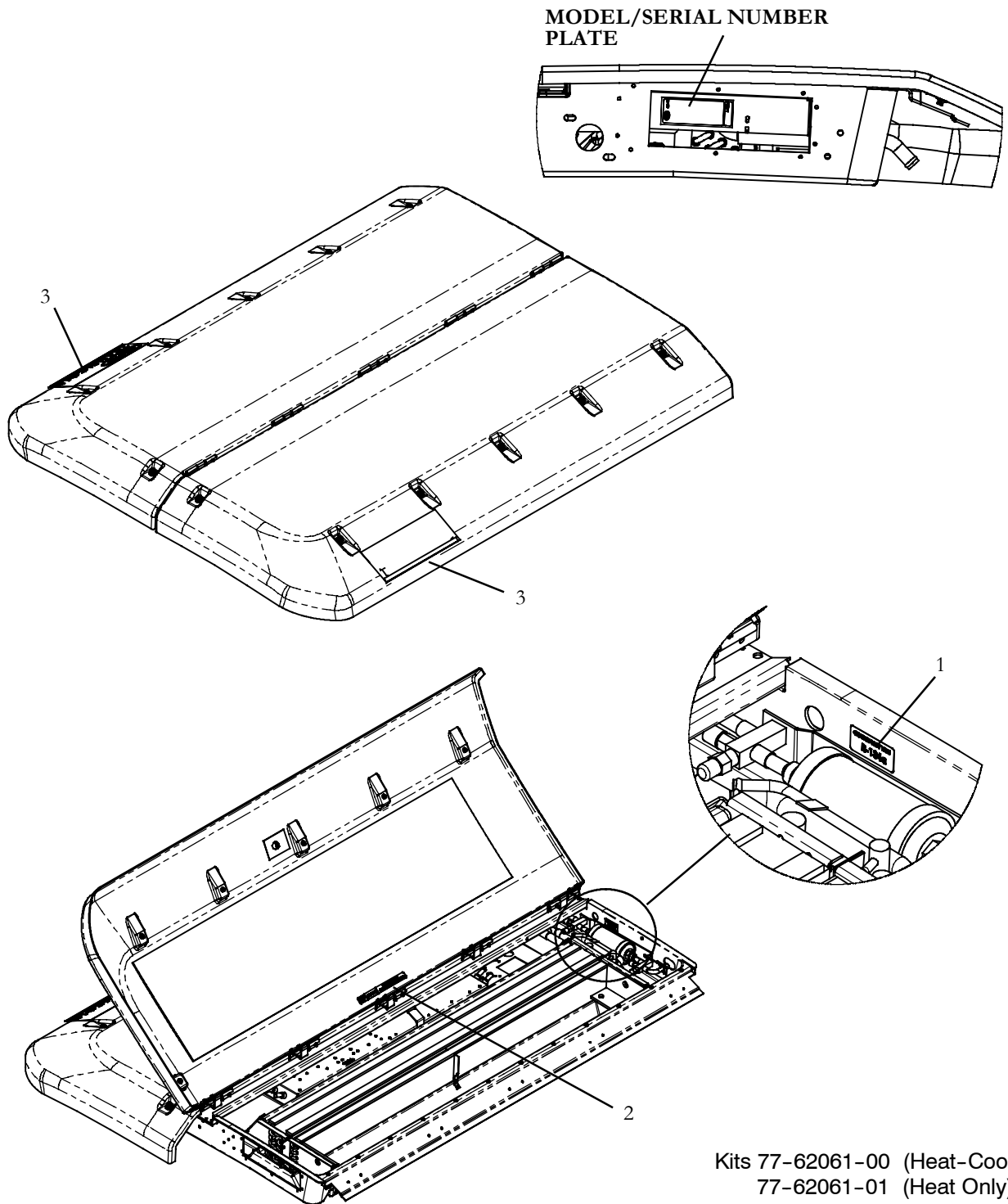


Kit 58-62024-00 A

Item	Part Number	Description	Qty
1	58-62024-00	Return Air Filter and Frame Assembly - Includes:	2
2	10-85-03-043	Frame, Composite	1
3	21-08-06-019	Filter Mat, Return Air	1
4	10-85-03-047	Grille, Diffuser, White	1
5	10-85-03-044	Cover, Frame	1
6	32-24-01-058	Bolt, Locking, (1/4 Turn)	6
7	32-24-01-059	Washer, Retaining, Mylar	6
8	32-15-45-002	Clip, Retaining	12



18 RF353 EVAPORATOR DECAL KIT, 77-62061-00 & -01

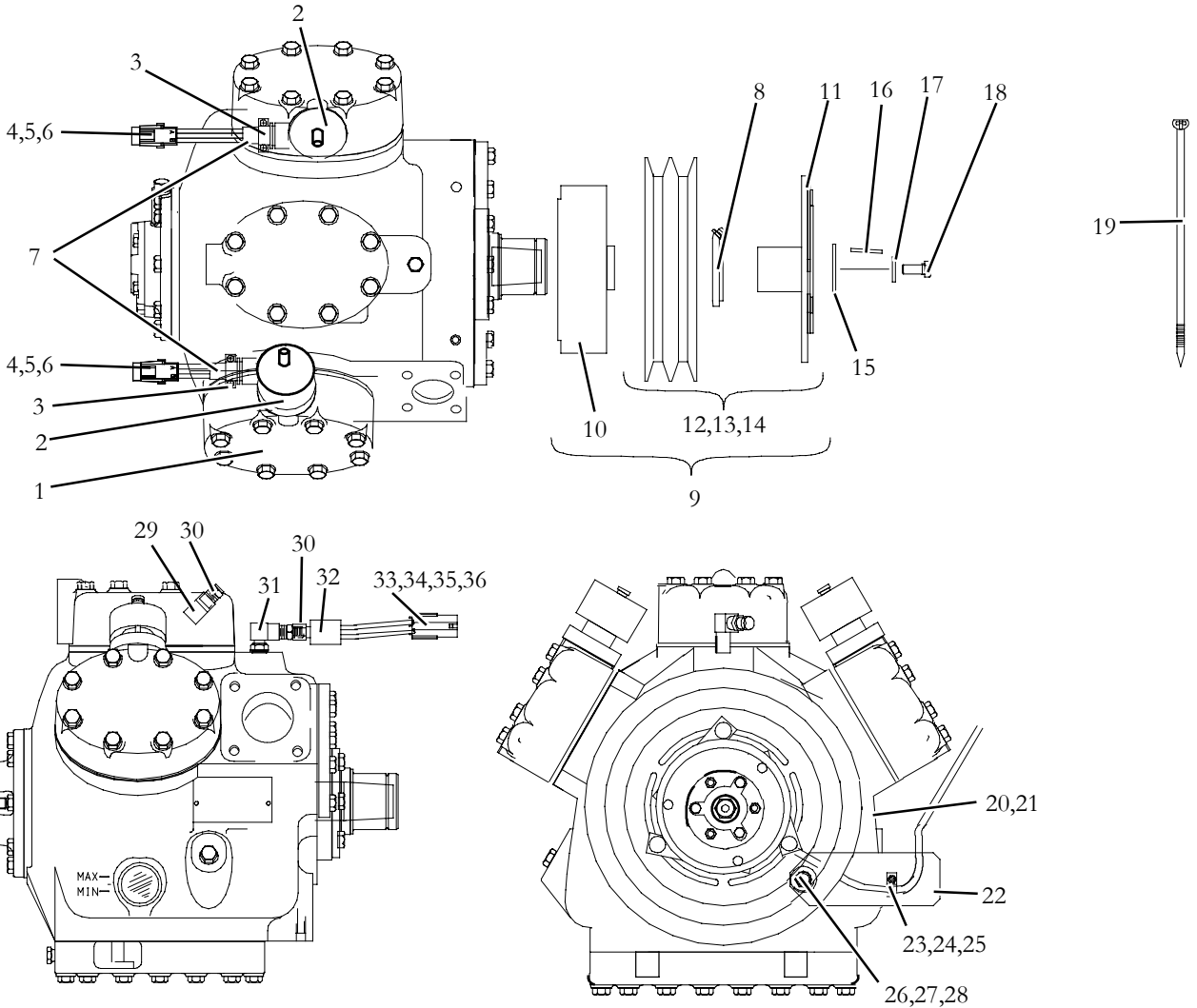


Item	Part Number	Description	Qty
1	62-62039-00	Label, Refrigerant, Charge Only With R-134a (ONLY IN -00 KIT)	1
2	62-62045-00	Label, Warning, Battery Disconnect Switch	2
3	62-03882-01	Decal, Mobile Climate Control	2



19 COMPRESSOR INSTALLATION COMPONENTS

19.1 Compressor Installation Components - RF353 - 68PD541-124-79



Item	Part Number	Description	Qty
1	17-44062-00	Compressor Assembly, 05G Service (Remanufactured, 41 CFM)	1
	18-00091-160	Compressor Assembly, 05G Service (New, Twin Port, 41 CFM)	
2	22-02804-02	Coil, Solenoid, Compressor Unloader, 24 VDC	2
3	69ND35-1781	Connector, Straight, 2-Screw	2
4	22-02392-01	Connector, 2 Pin, Medium Gray	2
5	22-02393-01	Terminal, Male (18-20 AWG)	4
6	22-02394-00	Seal, Cable, Gray	4
7	66NS0801CD0020	Sleeve, 0.50 ID x .062W x 2.00 Inches Long	2
8	34-06083-00	Nut, Lock, Clutch, Special	1
9	50-01122-14	Clutch Assembly, 24 VDC (Less Lock Nut Item 8) - Includes:	1
10	50-01122-50	Coil, Clutch, 24 VDC	1
11	NSS	Armature Assembly	1
12	50-01122-93	Rotor And Armature Assembly (2-5V Groove AT 10.5 Inch OD) - Includes:	1



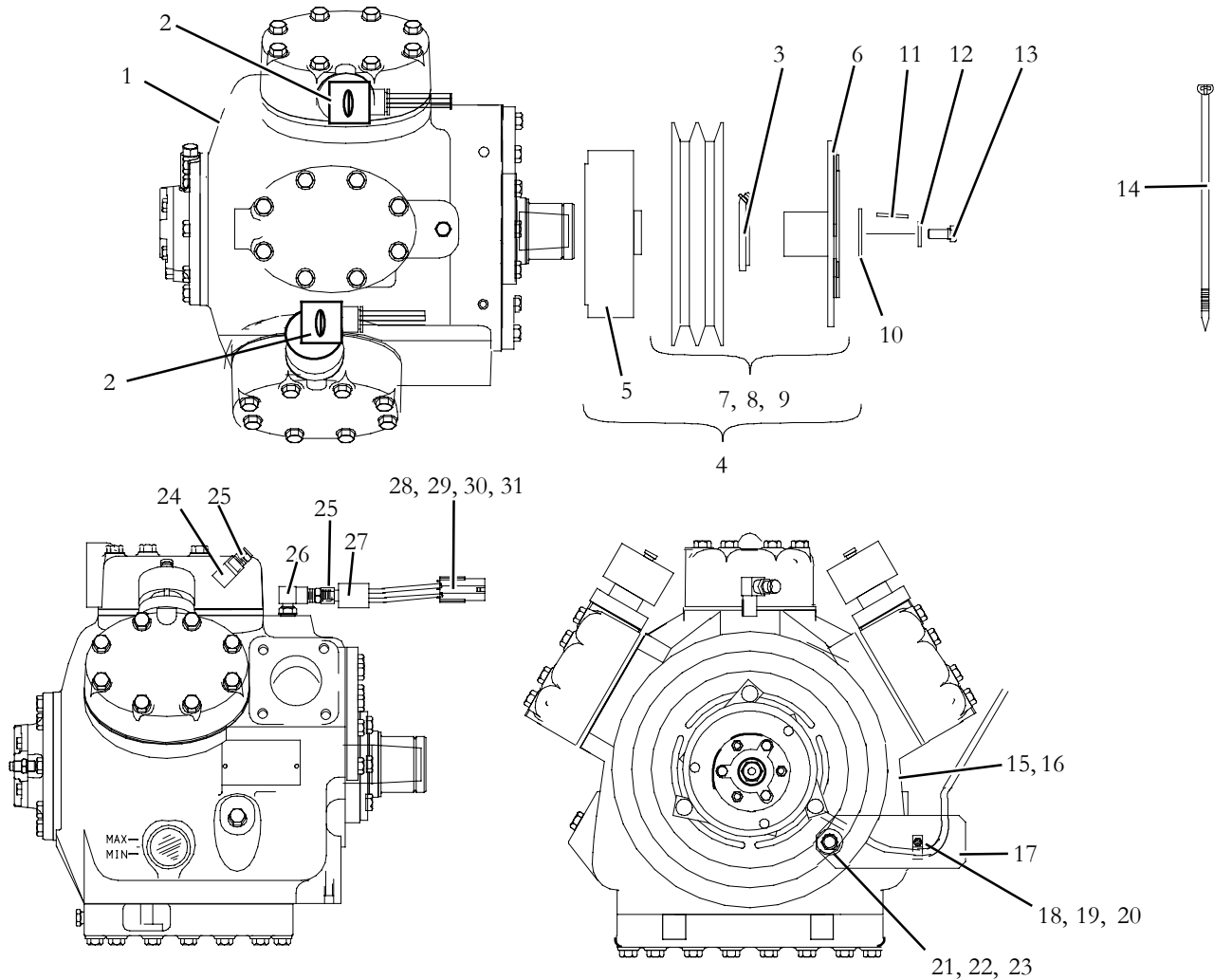
19.1 Compressor Installation Components - RF353 - 68PD541-124-79 (Continued)			
Item	Part Number	Description	Qty
13	04-00130-00	Bearing	1
14	34-01186-00	Ring, Retainer	1
15	68G2-9082	Washer, Special, 7/16 ID	1
16	68G2-9072	Key, Crankshaft, Special	1
17	AU11AR241	Washer, Lock, 3/8 Spring	1
18	34-00613-10	Screw, Hex Head Cap, 3/8-24 x 1.25. SAE Grade 8, Zinc Plated	1
19	66U1-3882	Wire Tie, Self-Locking, 7 Inches	1
20	62-02444-00	Label, Charge Only With R-134a	1
21	62-02913-00	Label, POE Oil, Compressor	1
22	68PD1-1202	Bracket, Clutch Wire Support	1
23	34-00373-51	Clamp, Tube, 0.25 Inch Diameter, Cushioned	1
24	34-00827-10	Screw, Machine, Slotted, #8-32 x 0.625	1
25	AT31AB101	Nut, Hex, KEPS, #8-32	1
26	17-40037-05	Screw, Hex Head Cap, 3/8-16 x 1.00 Long	1
27	AU02AB242	Washer, Plain, 3/8 SAE	1
28	34-00372-13	Washer, Lock, 3/8, External Tooth	1
29	14-01093-00	Snubber Assembly, 90 Degree, 1/4 MPT x 1/4 FPT	1
30	06DA403844	Valve Assembly, Schrader, 1/4 Male Flare	2
31	40-01166-01	Elbow, Adapter, 1/4 FPT x 7/16 UNC	1
32	12-00299-01	Switch, Pressure, Low - Includes:	1
33	22-02392-00SV	Connector Kit, 2 Pin - Includes:	1
34	NSS	Connector, Male, 2 Pin, Black	1
35	22-02393-00	Terminal, Male (14-16 AWG)	2
36	22-02394-01	Seal, Cable, Blue	2
37	68PD2-110-47	Valve Assembly, Suction, Service - Includes:	1
38	81-01599-01	Valve Assembly, Suction, With Tube & Bracket - Includes:	1
39	17-31062-00	Valve, Suction, Service, 1-3/8 ODF	1
40	56-07645-00	Tube, Bent, 1-1/8 OD x .065W Steel	1
41	40-00491-01	Fitting, ORS, 1.125 ODF x 1-11/16-12	1
42	68-08161-00	Bracket, Tube Support	1
43	34-06088-01	Nut, Hex, ORS, 1-5/8-12	1
44	17-40005-05	Gasket, Suction Service Valve (Valve To Compressor)	1
45	17-13020-00	Bolt, Hex Head, 1/2 - 13 x 2.50 Inches Long	4
46	42-00243-01	O-Ring, 1.17 ID x 0.139 Thick	2
47	17-44017-00	Stud, Hex Head, 3/8-16 x 3.25 x .87	2
48	34-00662-13	Washer, Plain, 3/8 Medium	4
49	AU11JR241	Washer, Lock, 3/8 Spring	2
50	34-00666-13	Nut, Hex, 3/8-16	2
51	40-00524-00	Elbow, 1/4 NPT x M13, Low Pressure Side	1
52	40-00520-00	Coupling, Service Port, M13, R-134a - Includes:	1
53	40-00520-02	Cap, Service Port	1
54	68PD2-110-96	Valve Assembly, Discharge, Service - Includes:	1
55	81-01569-03	Valve Assembly, Discharge - Includes:	1
56	14-01042-10	Valve, Discharge, Service, 7/8 ODF - Includes:	1
57	17-10812-00	Cap, Service Valve Stem, With O-Ring, Plastic	1



19.1 Compressor Installation Components - RF353 - 68PD541-124-79 (Continued)			
Item	Part Number	Description	Qty
58	56-07646-00	Tube, Straight, 7/8 OD x .049W x 2.95 Long, Steel	1
59	40-00491-00	Fitting, ORS, 7/8 ODF x 1-7/16	1
60	17-10811-05	Gasket, Discharge Service Valve (Valve To Compressor)	1
61	17-40012-00	Bolt, Hex Head, 5/16-18 x 2.00 Inches Long	2
62	42-00243-00	O-Ring, ORS-10, 0.921 ID x 0.139 Thick	2
63	40-00524-01	Elbow, 1/8 NPT x M15, High Pressure Side	1
64	40-00520-01	Coupling, Service Port, M15, R-134a - Includes:	1
65	40-00520-03	Cap, Service Port	1
66	12-00299-03	Switch, Pressure, High - Includes:	1
67	22-02392-01	Connector, Male, 2 Pin, Medium Gray	1
68	22-02393-00	Terminal, Male (14-16 AWG)	2
69	22-02394-01	Seal, Cable, Blue	2
70	22-01585-02	Connector (Clutch), Male, 2 Pin, Gray	1
71	22-02393-00	Terminal, Male (14-16 AWG)	2
72	22-02394-01	Seal, Cable, Blue	4
73	22-01585-00SV	Connector (Clutch), Male, 2 Pin, Black	1
74	22-01566-00	Terminal, Female (14-16 AWG)	2
75	58-00858-00	Tubing, Split, Corrugated, 1/4 Inch ID x 25 Feet Long	1



19.2 Compressor Installation Components - RF353 - 68PD541-124-59



Item	Part Number	Description	Qty
1	17-44062-00	Compressor Assembly, 05G Service (Remanufactured, 41 CFM)	1
	18-00091-160	Compressor Assembly, 05G Service (New, Twin Port, 41 CFM)	
2	22-02804-02	Coil, Solenoid, Compressor Unloader, 24 VDC	2
3	34-06083-00	Nut, Lock, Clutch, Special	1
4	50-01122-20	Clutch Assembly, 24 VDC (Less Lock Nut Item 3) - Includes:	1
5	50-01122-50	Coil, Clutch, 24 VDC	1
6	NSS	Armature Assembly	1
7	50-01122-98	Rotor And Armature Assembly (2-5V Groove AT 10.5 Inch OD) - Includes:	1
8	04-00130-00	Bearing	1
9	34-01186-00	Ring, Retainer	1
10	68G2-9082	Washer, Special, 7/16 ID	1
11	68G2-9072	Key, Crankshaft, Special	1
12	AU11AR241	Washer, Lock, 3/8 Spring	1



19.2 Compressor Installation Components - RF353 - 68PD541-124-59 (Continued)			
Item	Part Number	Description	Qty
13	34-00613-10	Screw, Hex Head Cap, 3/8-24 x 1.25. SAE Grade 8, Zinc Plated	1
14	66U1-3882	Wire Tie, Self-Locking, 7 Inches	1
15	62-02444-00	Label, Charge Only With R-134a	1
16	62-02913-00	Label, POE Oil, Compressor	1
17	68PD1-1202	Bracket, Clutch Wire Support	1
18	34-00373-51	Clamp, Tube, 0.25 Inch Diameter, Cushioned	1
19	34-00827-10	Screw, Machine, Slotted, #8-32 x 0.625	1
20	AT31AB101	Nut, Hex, KEPS, #8-32	1
21	17-40037-05	Screw, Hex Head Cap, 3/8-16 x 1.00 Long	1
22	AU02AB242	Washer, Plain, 3/8 SAE	1
23	34-00372-13	Washer, Lock, 3/8, External Tooth	1
24	14-01093-00	Snubber Assembly, 90 Degree, 1/4 MPT x 1/4 FPT	1
25	06DA403844	Valve Assembly, Schrader, 1/4 Male Flare	2
26	40-01166-01	Elbow, Adapter, 1/4 FPT x 7/16 UNC	1
27	12-00299-01	Switch, Pressure, Low - Includes:	1
28	22-02392-00SV	Connector Kit, 2 Pin - Includes:	1
29	NSS	Connector, Male, 2 Pin, Black	1
30	22-02393-00	Terminal, Male (14-16 AWG)	2
31	22-02394-01	Seal, Cable, Blue	2
32	68PD2-110-5	Valve Assembly, Suction, Service - Includes:	1
33	68PD1-293	Valve Assembly, Suction, With Tube & Bracket - Includes:	1
34	17-31062-00	Valve, Suction, Service, 1-3/8 ODF	1
35	40-00491-01	Fitting, ORS, 1.125 ODF x 1-11/16-12	1
36	68PD1-1082	Tube, Suction, Straight, 1-1/8 OD x .065W x 2.00 Inches Long, St	1
37	17-40005-05	Gasket, Suction Service Valve (Valve To Compressor)	1
38	17-13020-00	Bolt, Hex Head, 1/2 - 13 x 2.50 Inches Long	4
39	42-00243-01	O-Ring, 1.17 ID x 0.139 Thick	2
40	68PD2-110-72	Valve Assembly, Discharge, Service - Includes:	1
41	68PD1-333-3	Valve Assembly, Discharge, With Tube & Fitting - Includes:	1
42	14-01042-10	Valve, Discharge, Service, 7/8 ODF - Includes:	1
43	17-10812-00	Cap, Service Valve Stem, With "O" Ring, Plastic	1
44	68PD1-1092	Tube, Bent, 7/8 OD x .049W Steel	1
45	40-00491-00	Fitting, ORS, 7/8 ODF x 1-7/16	1
46	17-10811-05	Gasket, Discharge Service Valve (Valve To Compressor)	1
47	17-40012-00	Bolt, Hex Head, 5/16-18 x 2.00 Inches Long	2
48	42-00243-00	O-Ring, ORS-10, .921 ID x .139 Thick	2
49	40-00524-00	Elbow, 1/4 NPT x M13, Low Pressure Side	1
50	40-00520-00	Coupling, Service Port, M13, R-134a - Includes:	1
51	40-00520-02	Cap, Service Port	1
52	40-00524-01	Elbow, 1/8 NPT x M15, High Pressure Side	1
53	40-00520-01	Coupling, Service Port, M15, R-134a - Includes:	1
54	40-00520-03	Cap, Service Port	1
55	12-00299-03	Switch, Pressure, High - Includes:	1
56	22-01585-00SK	Connector, Male, 2 Pin, Black	1
57	22-02393-00	Terminal, Male (14-16 AWG)	2



19.2 Compressor Installation Components - RF353 - 68PD541-124-59 (Continued)			
Item	Part Number	Description	Qty
58	22-02394-01	Seal, Cable, Blue	2
59	22-02394-01	Seal, Cable, Blue	4
60	22-01585-0SK	Connector (Clutch), Male, 2 Pin, Gray	1
61	22-01566-00	Terminal, Female (14-16 AWG)	2
62	58-00858-00	Tubing, Split, Corrugated, 1/4 Inch ID x 25 Feet Long	1



INDEX

PART NUMBER PAGE NUMBER

0

02-00067-00 6, 36

02-62001-00 7, 9, 28, 30, 32, 34, 37, 38, 39, 40, 41

04-00130-00 107, 109

06DA403844 107, 110

08-00243-00 71

08-00248-00 11, 14

08-00249-00 43, 46, 50, 54, 58, 61, 68

08-00250-00 43

08-00250-01 43

08-00251-00 11, 14

08-62043-00 46, 50, 54, 58, 61

08-62043-01 46, 50, 54, 58, 61, 71, 73

08-62071-00 61, 68

08-62243-00 73

1

10-00286-09 88, 90, 91, 92, 93, 97, 98

10-00286-11 87, 89, 96, 98, 100

10-00286-12 87, 89, 96, 98, 100

10-00300-02 87, 89, 94, 96, 98, 100

10-00300-07 87, 89, 96, 98, 100

10-00479-00 95

10-00479-01 95

10-85-03-043 104

10-85-03-044 104

10-85-03-047 104

10-00286-13 94, 100

12-00299-01 107, 110

12-00299-03 108, 110

12-00305-07 8, 10, 94, 97

12-00352-00 82, 85, 86

PART NUMBER PAGE NUMBER

12-00392-13 87, 89, 98

12-00393-00 91

12-00426-00 77

12-00486-01 87, 89, 96, 98, 100

12-00495-025V 89

12-00495-02SV 88, 92, 93, 94, 97, 98, 100

12-00659-00 99, 101

12-00305-07 86

12-00391-03 102

12-00392-15 91, 96

12-00684-00 100

14-00026-04 45, 48, 52, 57, 60, 64, 67, 70

14-00194-03 45, 48, 52, 56, 60, 64, 67, 72, 74

14-00236-00 45, 48, 52, 56, 60, 64, 67, 70

14-00236-51 45, 48, 52, 56, 60, 64, 67, 70

14-00236-52 45, 48, 52, 56, 60, 64, 67, 70

14-00281-04 12, 15, 17

14-00316-00 45, 48, 52, 56, 60, 64, 67, 70

14-00320-00 45, 48, 52, 57, 60, 64, 67, 70

14-00351-00 13, 16, 17, 19, 45, 47, 48, 51, 52, 57, 59, 63, 66, 69

14-01032-01 13, 14

14-01042-10 107, 110

14-01093-00 107, 110

14-01110-02 45, 48, 52, 56, 60, 64, 67, 72, 74

14-50050-01 12, 15, 17

17-10811-05 108, 110

17-10812-00 107, 110

17-13020-00 107, 110

17-31062-00 107, 110

17-40005-05 107, 110

17-40037-05 107, 110

17-44012-00 108, 110

17-44017-00 107



INDEX

PART NUMBER	PAGE NUMBER	PART NUMBER	PAGE NUMBER
17-44062-00	106, 109	22-02448-00SV	92
18-00091-160	106, 109	22-02804-02	106, 109
2			
21-08-06-019	104	22-25-05-004	28, 30, 32
22-01030-17	95	22-50078-51E	9, 42
22-01173-09	99	22-50078-63	9, 42
22-01563-02	90, 95, 97, 98, 100	22-50098-16	88, 89, 96, 101
22-01563-05	88	22-50098-19	89, 96, 101
22-01566-00	7, 9, 93, 108, 111	22-50098-77	42
22-01566-01	92, 93	22-50098-77A	42
22-01584-01	92	22-50098-91	90
22-01585-00	7, 9	22-50098-91A	90, 93, 94
22-01585-00SK	42, 110	22-50100-00	92
22-01585-00SV	108	22-50134-00	92
22-01585-02	108	22-50135-00	92
22-01585-03	7, 9, 90	22-50136-00	92
22-01585-0SK	111	22-50137-00	92
22-01827-00	87	22-50138-00	88, 89, 92, 96, 101
22-02336-02	87, 89, 96, 98, 100	22-50143-00	88, 89, 92, 96, 101
22-02336-06	87, 89, 96, 98, 100	22-50144-00	88, 89, 91, 96, 101
22-02336-08	87, 89, 96, 98, 100	22-50145-00	88, 89, 91, 96, 101
22-02336-50	88, 90	22-50146-00	88, 89, 91, 96, 101
22-02392-00	7, 9, 82, 83, 84, 85, 86	22-50148-00	88, 89, 92, 96, 101
22-02392-00SV	8, 10, 107, 110	22-50152-00	88, 89, 92, 96
22-02392-01	106, 108	22-50153-00	88, 89, 92, 96, 101
22-02392-02	7, 9, 90	22-50198-19	88
22-02393-00	7, 9, 42, 107, 108, 110	22-50236-00	87, 89, 91, 96, 98, 100
22-02393-01	7, 8, 9, 10, 42, 82, 83, 84, 85, 86, 106	22-50252-00	88, 89, 92, 93
22-02394-00	7, 9, 106	22-50351-00	93, 96, 101
22-02394-01	7, 8, 9, 10, 82, 83, 84, 85, 86, 107, 108, 110, 111	22-62036-00	90, 93, 97, 99, 100
22-02394-02	9, 42	22-62038-00	90, 93, 97, 99, 101
22-02430-01	93	22-62039-01	90
		22-62040-00	90
		22-62172-00	88, 89
		22-62173-00	7, 9
		22-62180-00	82, 83, 84, 85, 86



INDEX

PART NUMBER	PAGE NUMBER	PART NUMBER	PAGE NUMBER
22-62180-01	82, 83, 84, 85, 86	3	
22-62199-00	91, 93	32-15-45-002	104
22-62254-00	96	32-24-01-013	4, 5, 6, 36, 37, 39, 41
22-62262-00	98	32-24-01-016	4, 5, 6, 36, 37, 39, 41
22-62265-00	99, 101	32-24-01-058	104
22-62296-00	95	32-24-01-059	104
22-62307-02	90	34-00303-04	13, 16, 18, 44, 47, 51, 54, 60, 63, 66, 70
22-62307-04	90	34-00305-04	13, 16, 18
22-62309-00	101	34-00361-08	99, 101
22-01030-17	101	34-00361-61	90, 99, 101
22-01258-01	99	34-00363-13	32
22-01566-01	99	34-00366-13	32
22-01585-03	99	34-00368-12	13, 16, 18, 44, 47, 51, 54, 60, 63, 66, 70
22-02392-02	99	34-00368-13	13, 16, 18
22-02394-02	102	34-00372-12	107, 110
22-50098-91	101	34-00373-07	45, 48, 52, 57, 59, 64, 67, 70
22-50098-40	99	34-00373-51	107, 110
22-50098-91	94, 99	34-00588-12	13, 16, 18, 44, 47, 51, 54, 60, 63, 66, 70
22-50098-91A	99, 101	34-00588-13	13, 16, 18
22-50145-00	102	34-00613-10	107, 110
22-50152-00	102	34-00658-04	75, 77, 79
22-50153-00	99	34-00662-09	5, 6, 28, 30, 32, 34, 38, 39, 40, 41
22-62026-00	102	34-00662-13	107
22-62039-01	99, 101	34-00663-11	90, 95, 99, 101
22-62040-00	99, 101	34-00664-08	90, 93, 94, 99, 101
22-62063-01	102	34-00664-09	90, 93, 94, 99, 101
22-62063-02	102	34-00666-11	90, 95, 99, 101
22-62278-00	94	34-00666-13	107
22-62295-00	94	34-00733-00	79, 80
22-62304-00	100	34-00827-10	107, 110
22-62307-02	99	34-00829-12	79
22-62307-04	99	34-00829-13	79



INDEX

PART NUMBER	PAGE NUMBER	PART NUMBER	PAGE NUMBER
34-00928-02	23, 25, 77	34-06169-01	103
34-00928-09	11, 14, 30, 32	34-06177-01	103
34-00944-04	79	34-06178-00	103
34-00944-06	3, 42	34-06212-12	90, 95, 99, 101
34-00944-08	7, 9	34-60000-16	79, 82, 83, 84, 85, 86
34-00944-10	82, 83, 84, 85, 86	34-60000-20	77
34-00945-04	64, 67, 70	34-60002-06	36, 37, 39, 41
34-00945-06	3	34-60089-05	23, 25, 83, 84, 85, 86
34-00945-08	7, 9	34-60095-46	82, 83, 84, 85, 86
34-00946-06	3, 41	34-62000-00	88, 90, 92, 97, 98, 100
34-00946-60	82, 83, 84, 85, 86	34-62016-00	11, 14, 23, 25, 30, 32
34-00967-15	36	34-62017-00	7
34-00967-25	37, 39, 41	34-62021-00	3, 13, 16, 17, 19, 23, 26, 45, 48, 52, 55, 57, 59, 64, 67, 68, 72, 74, 77, 79
34-00988-06	79	34-62021-01	6, 23, 25, 26, 75, 83, 84, 85, 86, 103
34-01151-04	64, 67, 70	34-62021-02	38, 39, 40, 41
34-01184-04	64, 67, 70, 79	34-62021-03	4, 5
34-01184-06	42	34-62030-00	79, 80
34-01184-55	77, 79, 82	34-62031-00	79
34-01186-00	107, 109	34-62031-01	79
34-01197-10	64, 67, 70	34-62031-03	79
34-01197-20	79	34-62069-00	32
34-01208-01	79	34-00662-11	101
34-01241-30	7, 9	34-00665-11	101
34-01264-09	79	34-00944-06	30, 32
34-01266-20	11, 13, 14, 23, 25, 26, 28, 32, 34, 43, 46, 50, 54, 58, 61, 67, 68, 72, 74	34-00945-06	30, 32
34-06051-104	23, 25, 26, 28, 30, 32, 34, 49, 53, 54, 59, 64, 67, 70	34-00946-06	30, 32
34-06069-04	90, 93, 94, 99, 101	34-01295-18	28, 30, 32, 34
34-06083-00	106, 109	34-60002-06	37
34-06088-01	45, 48, 52, 57, 60, 63, 66, 69, 107	34-62074-00	28, 30, 32, 34
34-06121-03	45, 48, 52, 57, 60, 63, 66, 70	38-00566-00	7
34-06121-04	45, 48, 52, 57, 60, 63, 66, 70	38-00582-00	103
34-06126-14	79	38-00603-00	71, 73
		4	
		40-00072-06	45



INDEX

PART NUMBER	PAGE NUMBER	PART NUMBER	PAGE NUMBER
40-00072-09	48, 52, 57, 60, 63, 66, 70	42-00221-10	23, 25, 28, 30, 32, 34
40-00090-04	45, 48, 52, 56, 60, 63, 66, 70	42-00221-13	61, 68, 71, 73
40-00168-07	49, 53, 57, 60, 63, 66, 71, 73	42-00221-17	61, 68, 71, 73
40-00169-06	45, 48, 52, 56, 60, 63, 66, 70	42-00221-23	6
40-00491-00	12, 15, 17, 18, 108, 110	42-00243-00	13, 16, 17, 18, 108, 110
40-00491-01	44, 47, 51, 57, 59, 63, 66, 69, 107, 110	42-00243-01	107, 110
40-00501-03	12, 15, 18, 44, 47, 51, 57, 60, 63, 66, 69	42-00243-11	45, 48, 52, 57, 60, 64, 67, 70
40-00501-04	12, 15, 18	42-00243-15	45, 48, 52, 57, 60, 64, 67, 70
40-00501-50	12, 15, 18, 44, 47, 51, 57, 60, 63, 66, 69	42-62005-00	88, 90, 97, 98, 100
40-00503-03	44, 47, 51, 57, 60, 63, 66, 70	42-62036-01	77
40-00503-04	44, 47, 51, 57, 60, 63, 66, 70	42-62040-00	36, 37, 39, 41
40-00520-00	107, 110	42-62041-01	43, 46, 50, 54, 58
40-00520-01	12, 15, 18, 44, 47, 51, 57, 60, 63, 66, 69, 108, 110	42-62041-02	43, 46, 50, 54, 58, 61
40-00520-02	107, 110	42-62041-03	79
40-00520-03	108, 110	42-62041-07	79
40-00524-00	107, 110	42-62042-00	23, 25, 28, 30, 32, 34
40-00524-01	108, 110	42-62043-00	23, 25, 28, 30, 32, 34
40-01124-00	13, 16, 17, 19, 44, 45, 47, 48, 51, 52, 57, 58, 59, 63, 66, 69	42-62044-00	43, 46, 50, 55, 58
40-01166-01	107, 110	42-62044-01	43, 46, 50, 55, 58
40-01184-00	45, 48, 52, 60	42-62045-00	43, 46, 50, 55, 58, 68
40-60042-01	45, 48, 52, 57, 60	42-62097-00	46, 50, 57, 59
40-62032-01	12, 15, 17, 18, 45, 48, 52, 56, 60, 69	42-62102-00	26
40-62032-03	44, 47, 51, 57, 59, 63, 66, 70	42-62106-00	61, 71, 73
40-62061-00	45, 48, 52, 57, 60, 63, 66, 70	42-62106-01	61, 71, 73
40-62066-00	79	42-62106-02	61, 71, 73
40-62067-00	79	42-62106-03	61, 71
40-62072-00	79	42-62106-04	61, 73
40-62073-00	79	42-62106-05	61
40-62074-00	79	42-62113-00	68
42-00221-09	90, 92, 93, 94, 97, 99, 101	42-62113-01	68
		42-62113-02	68
		42-62128-00	72, 74
		42-62128-01	72, 74
		42-62129-00	32, 34
		42-62129-01	32, 34



INDEX

PART NUMBER	PAGE NUMBER	PART NUMBER	PAGE NUMBER
42-62129-02	32, 34	56-07645-00	107
42-00032-00	86	56-07646-00	108
44-00045-02	43, 48, 52, 55, 60, 64, 67, 71, 74	56-62181-00	44, 47, 51, 57, 59
44-62004-00	36, 39, 41	56-62182-00	45, 48, 52, 56, 60
44-62004-01	37	56-62183-00	45, 48, 52, 56, 60, 64
44-62005-00	23, 25, 30, 32	56-62183-02	67, 70
44-62005-01	34	56-62184-00	45
44-62007-00	77, 79	56-62186-00	44, 51, 57, 69
44-62008-00	79, 80	56-62186-01	47, 59, 63, 66
44-00045-02	86	56-62187-00	44, 47, 51, 57, 59, 64, 67, 70
44-62005-01	28	56-62188-00	45, 48, 52, 56, 60, 63, 66, 69
		56-62189-00	45, 48, 52, 56, 60, 63
		56-62189-02	66, 70
		56-62192-00	12, 15, 17, 18
		56-62193-00	12, 15
		56-62194-00	13, 14
		56-62205-00	12, 15, 18
		56-62244-00	46, 58, 63, 71, 73
		56-62244-01	50, 54, 66
		56-62246-00	49, 53, 57, 60, 63, 66, 71, 73
		56-62251-00	52
		56-62284-00	48
		56-62285-00	56, 60, 63, 66, 70
		56-62286-00	49, 53, 57, 60, 64, 67, 70
		56-62290-00	17
		56-62291-00	17
		56-62296-00	18
		56-00145-27	15
		58-00065-08	45, 48, 52, 57, 60, 64, 67, 72, 74
		58-00065-26	82
		58-00065-44	45, 48, 52, 57, 60, 63, 66, 69, 71, 73
		58-00065-51	7, 10, 23, 26, 28, 30, 32, 34
		58-00065-52	7, 10
		58-00511-08	88, 90, 92, 97, 98, 100

5

50-00122-14	106
50-00122-50	106, 109
50-00122-93	106
50-01122-20	109
50-01122-98	109
52-00023-00	79
54-00583-00	7, 9
54-00584-00	42
54-00584-04	42
54-00625-01	42
54-00625-50	42
54-00626-50	9
54-00626-51	42
54-00635-00	90, 93, 94, 97, 98, 100
56-00143-104	63, 66, 70
56-00143-12	45, 48, 52, 56, 60, 64, 67, 70
56-00143-47	44, 48, 52, 56, 60
56-00143-75	44, 47, 51, 57, 60, 64, 67, 70
56-00145-25	12
56-00145-27	18



INDEX

PART NUMBER	PAGE NUMBER
58-00616-18	90
58-00836-04	4, 5
58-00858-00	108, 111
58-00915-00	7, 10
58-04246-00	3, 23, 25, 28, 30, 32, 34
58-60039-08	45, 48, 52, 57, 60, 63, 66
58-60039-30	43
58-62024-00	104
58-62025-03	13, 16, 17, 18
58-62060-00	35, 38, 40
58-62060-01	35, 39, 41
58-62060-02	38, 40
58-62060-03	39, 41
58-62068-00	4, 5
58-62076-00	23, 25, 28, 30, 32, 34
58-62101-00	23
58-62101-01	23
58-62126-00	46, 50, 55, 58, 61, 68, 71, 73
58-62135-00	25
58-62135-01	25
58-62145-00	28
58-62146-00	35
58-62157-00	28, 30, 32, 34
58-62178-00	30
58-62179-00	38, 40
58-62179-01	39, 41
58-62179-02	38, 40
58-62179-03	39, 41
58-62180-00	38, 40
58-62180-01	39, 41
58-62180-02	38, 40
58-62180-03	39, 41
58-62193-00	6
58-62195-00	37

PART NUMBER	PAGE NUMBER
58-62195-01	37
58-62199-00	34
58-00065-26	101
58-00065-42	101
58-00848-00	102
58-62145-01	28
58-62178-01	32

6

62-02444-00	107, 110
62-02913-00	107, 110
62-03882-01	20, 105
62-62039-00	20, 105
62-62045-00	20, 105
62-62074-00	90
62-62074-01	90, 99
62-62074-01	101
62-62074-00	101
62-62074-00	99
65-62001-00	13, 14
66-U-1-5371	93, 94, 99, 101
66-U-1-6651-12	93, 94
66NS0801CD0020	106
66U1-3882	3, 7, 10, 82, 83, 84, 85, 86, 107, 110
66U1-5371	90
66U1-5371-5	90, 95, 99, 101
68-08161-00	107
68-62492-02	13, 16, 17, 19, 45, 48, 52, 54, 58, 63, 66, 69
68-62763-00	3
68-62764-00	3
68-62765-00	3
68-62768-00	3
68-62772-00	23, 26, 30, 32
68-62775-00	36, 37, 39, 41



INDEX

PART NUMBER	PAGE NUMBER	PART NUMBER	PAGE NUMBER
68-62785-00	23	68-63049-00	79
68-62786-00	87	68-63103-00	23
68-62787-00	42	68-63108-00	23, 26
68-62788-00	23	68-63209-00	75, 77, 79
68-62789-00	23	68-63250-00	49, 53, 55, 59, 63, 66, 69
68-62790-00	36, 37, 39	68-63303-00	103
68-62791-00	12, 14	68-63305-00	103
68-62791-01	11, 14	68-63306-00	23
68-62793-00	44, 47, 51, 54, 58, 63, 66, 70	68-63307-00	23
68-62795-00	77	68-63332-00	90, 92, 93, 94, 97, 98, 100
68-62796-00	45, 48, 64, 72	68-63333-00	90, 92, 93, 97, 98
68-62796-01	52, 54, 58, 67, 74	68-63356-00	26
68-62796-02	72, 74	68-63357-00	55, 59
68-62796-03	67	68-63358-00	54, 58, 63, 66, 70
68-62797-00	45, 48, 59, 63	68-63359-00	25, 28, 32, 34
68-62797-01	52, 54, 66, 69	68-63360-00	26
68-62801-00	23, 25, 30, 32	68-63390-00	15, 17, 18
68-62802-00	45, 48, 52, 55, 59, 63, 66, 70	68-63391-00	16, 17, 19
68-62803-00	44, 47, 51	68-63418-00	91
68-62818-00	12	68-63421-00	16, 17, 19
68-62819-00	12, 15, 17, 18	68-63431-00	68
68-62820-00	45, 48, 52, 57, 58	68-63431-01	68
68-62834-00	45	68-63431-02	68
68-62849-00	45, 48, 52	68-63434-00	68
68-62861-00	13, 16, 17, 19	68-63439-00	70
68-62984-00	23, 25, 28, 34	68-63586-00	28, 30, 32, 34
68-62985-00	23	68-63622-00	64, 67, 72, 74
68-62994-00	77	68-63685-00	72, 74
68-62995-00	77	68-63685-01	72, 74
68-62996-00	75	68-63692-00	93
68-63029-00	79	68-63693-00	32, 34
68-63030-00	79	68-63693-01	32, 34
68-63031-00	79	68-63693-02	32, 34
68-63032-00	79	68-63734-00	41
		68-63749-00	99, 101



INDEX

PART NUMBER PAGE NUMBER

68-63750-00 98, 100

68-63762-00 90

68-63784-00 71, 73

68-63807-00 94

68-63250-00 71, 73

68-63750-00 89, 94, 96

68-63762-00 93, 94, 97, 98, 100

68-63832-01 30, 32

68-63833-00 30, 32

68G2-9072 107, 109

68G2-9082 107, 109

68PD1-1082 110

68PD1-1092 110

68PD1-1202 107, 110

68PD1-293 110

68PD1-333-3 110

68PD2-110-47 107

68PD2-110-5 110

68PD2-110-72 110

68PD2-110-96 107

69ND35-1781 106

7

73-62004-00 4, 5, 6

73-62005-00 46, 50, 55, 58, 61, 68, 71, 73

73-62005-02 61, 68, 72, 74

73-62006-00 46, 50, 55, 58, 61, 68, 71, 73

73-62009-00 6

79-62066-00 77

79-62111-00 41

8

81-01569-03 107

81-01599-01 107

PART NUMBER PAGE NUMBER

81-62085-00 45, 48, 52, 57, 58

81-62086-00 44, 51, 57, 59, 66, 69

81-62086-01 47, 63

81-62118-00 53, 57, 60, 63, 66, 73

81-62118-01 49, 71

86-62216-01 7, 9

86-62222-00 23

86-62236-00 23, 25, 28, 30, 32, 34

86-62319-00 48, 59, 63

86-62319-01 52, 57, 66, 69

86-62350-00 79

86-62362-00 103

86-62370-00 80

86-03144-00 30, 32

9

91-62043-00 82, 87

91-62054-00 82

91-62055-00 82

91-62078-00 83, 93, 98

91-62080-00 84, 96

91-62086-00 85

91-62054-00 89

91-62055-00 91

91-62092-00 94

91-62098-00 86, 100

A

AC030-234 4, 5

AC040-137 103

AC201-225 93

AC201-901 90, 92, 93, 94, 99, 101

AC201-931 90, 93, 94, 99, 101

AC301-244 71, 74

AC801-201 64, 67



INDEX

PART NUMBER PAGE NUMBER

AC801-403 11

AT31AB101 107, 110

AU02AB242 107, 110

AU11AR241 107, 109

C

CM983-618 88, 89, 92, 96, 101

PART NUMBER PAGE NUMBER

D

DD19CA061 13, 16, 17, 19, 45, 47, 48, 51,
52, 57, 58, 59, 63, 66, 69

E

EC39DM070 58

H

HF 23BJ039 90, 92

HF23BJ039 93, 97, 98

Every driver deserves the best possible vehicle climate with MCC products

MCC provides exceptional performance in mobile climate comfort.



www.mcc-hvac.com

Member of MCC Group • Certified ISO 9001 and ISO 14001.
Specifications subject to change without notice. MCC is a registered trademark.