



Mobile Climate Control

T-313PL Manual



SERVICE PARTS LIST
for
68RM50-100/101
MICROMAX

T-313PL

REV. 06/2012



TABLE OF CONTENTS

INTRODUCTION iv

MODEL/SERIAL NUMBER PLATE LOCATION iv

ORDERING INSTRUCTIONS vi

GENERAL NOTES vi

1 UNIT ASSEMBLY - LOCATIONAL VIEW 1

2 ELECTRICAL COMPONENTS 2

 2.1 Electrical Components - 68RM50-100-12 2

 2.2 Electrical Components - 68RM50-100-14 4

 2.3 Electrical Components - 68RM50-101-10 6

 2.4 Electrical Components - 68RM50-101-13 8

 2.5 Electrical Components - 68RM50-101-15 10

 2.6 Electrical Components - 68RM50-101-16, -18, -24, -33 12

 2.7 Electrical Components - 68RM50-101-19, -23, -25, -26, -27, -28, -29, -34 15

 2.8 Electrical Components - 68RM50-101-20, -30, -35 19

 2.9 Electrical Components - 68RM50-100-16, 101-21 22

 2.10 Electrical Components - 68RM50-100-17, 100-18, 101-22 25

 2.11 Electrical Components - 68RM50-101-31 28

 2.12 Electrical Components - 68RM50-101-38, -53, -59 30

 2.13 Electrical Components - 68RM50-101-36, -39, -43, -46, -48, -60, -68, -69 33

 2.14 Electrical Components - 68RM50-101-40, -50, -65, -66 36

 2.15 Electrical Components - 68RM50-101-41 39

 2.16 Electrical Components - 68RM50-101-42 42

 2.17 Electrical Components - 68RM50-101-45, -47, -49, -54, -67 45

 2.18 Electrical Components - 68RM50-101-51 48

 2.19 Electrical Components - 68RM50-101-56, -58 50

 2.20 Electrical Components - 68RM50-101-55 53

 2.21 Electrical Components - 68RM50-101-44, -62 56

 2.22 Electrical Components - 68RM50-101-57 59

 2.23 Electrical Components - 68RM50-101-63 62

 2.24 Electrical Components - 68RM50-101-64 65

3 ELECTRICAL CONTROL PANELS 68

 3.1 Electrical Control Panel - 68RM50-100-12 68

 3.2 Electrical Control Panels - 68RM50-100-14, 101-16, -18, -24, -31, -33 71

 3.3 Electrical Control Panel - 68RM50-101-10 74

 3.4 Electrical Control Panel - 68RM50-101-13 77

 3.5 Electrical Control Panel - 68RM50-100-16, 101-15, -19, -21, -23, -25, -26, -27, -28, -29, -34 80

 3.6 Electrical Control Panels - 68RM50-101-20, -30, -35 83

 3.7 Electrical Control Panels - 68RM50-100-17, 100-18, 101-22 86

 3.8 Electrical Control Panel - 68RM50-101-36, -60 89

 3.9 Electrical Control Panel - 68RM50-101-38, -44, -51, -53, -57, -59, -62 92

 3.10 Electrical Control Panel - 68RM50-101-39, -41, -43 -45, -46, -47, -48, -49, -54, -58, -64, -67, -68, -69 ... 95

 3.11 Electrical Control Panel - 68RM50-101-40, -50, -55, -57, -63, -65, -66 99



- 3.12 Electrical Control Panel - 68RM50-101-42 102
- 3.13 Electrical Control Panel - 68RM50-101-56 105
- 4 COIL KIT 108
 - 4.1 Coil Kit - Common Parts, All Models 108
 - 4.2 Coil Kit - Models 68RM50-100-12, 100-14, 101-13, 101-16 108
 - 4.3 Coil Kit - Model 68RM50-101-10 109
 - 4.4 Coil Kit - Model 68RM50-101-15 109
 - 4.5 Coil Kit - Models 68RM50-100-16, -17, -18, 101-18, 101-19, -20, -21, -22, -24, -25, -26, -27, -28, -29, -30, -31, -33, -34, -35, -36, -38, -39, -40, -41, -42, -44, -45, -46, -47, -48, -49, -50, -51, -53, -54, -55, -56, -57, -59, -60, -62, -63, -64, -65, -66, -67, -68, -69 ... 109
 - 4.6 Coil Kit - Model 68RM50-101-23, -43, -58 109
- 5 REFRIGERANT PIPING KIT - R-22 MODELS 110
 - 5.1 Refrigerant Piping Kit - Common Parts - All R-22 Models 110
 - 5.2 Refrigerant Piping Kit - R-22 - Models 68RM50-100-12, 100-14 113
 - 5.3 Refrigerant Piping Kit - R-22 - Models 68RM50-100-16, 100-17 114
 - 5.4 Refrigerant Piping Kit - R-22 - Model 68RM50-100-18 115
- 6 REFRIGERANT PIPING KIT - R-134a MODELS 116
 - 6.1 Refrigerant Piping Kit - Common Parts - All R-134a Models 116
 - 6.2 Refrigerant Piping Kit - Model 68RM50-101-10 118
 - 6.3 Refrigerant Piping Kit - Models 68RM50-101-13, 101-15 120
 - 6.4 Refrigerant Piping Kit - Model 68RM50-101-16 122
 - 6.5 Refrigerant Piping Kit - Models 68RM50-101-18, -21, -33, -35, -38, -41, -53, -55 124
 - 6.6 Refrigerant Piping Kit - Models 68RM50-101-19, -20, -22, -23, -25, -26, -27, -39, -40, -42, -43, -45, -46, -47 126
 - 6.7 Refrigerant Piping Kit - Models 68RM50-101-24, -28, -29, -30, -31, -34, -44, -48, -49, -50, -51, -54, -58, -65, -66, -67, -68, -69 128
 - 6.8 Refrigerant Piping Kit - Model 68RM50-101-36, -56, -60, -62, -64 131
 - 6.9 Refrigerant Piping Kit - Models 68RM50-101-57, -59, -63 135
- 7 AIR FILTERS 137
- 8 HEATER CONNECTION ASSEMBLY 138
 - 8.1 Heater Connection Assembly - 68RM50-100-12, -14, 101-13, -15 138
 - 8.2 Heater Connection Assembly - 68RM50-101-10, -16, -18, -21, -33, -35 139
 - 8.3 Heater Connection Assembly - 68RM50-100-16, -18, 101-22, -28, -30, -36, -38, -41, -42, -48, -50, -53, -55, -56, -57, -59, -60, -63, -64, -66, -68, -69 141
 - 8.4 Heater Connection Assembly - 68RM50-100-17, 101-19, -20, -23, -24, -25, -26, -27, -29, -31, -34, -39, -40, -43, -44, -45, -46, -47, -49, -51, -54, -58, -62, -65, -67 143
- 9 LABELS - GASKETS 145
 - 9.1 Labels - Gaskets - R22 Units 145
 - 9.2 Labels - Gaskets - R-134a Units 146
- 10 CONDENSER FAN MOTOR ASSEMBLY 147
 - 10.1 Condenser Fan Motor Assembly - Common Parts - All Models 147
 - 10.2 Condenser Fan Motor Assembly - Models 68RM50-100-12, 100-14, 101-10, 101-13 147
 - 10.3 Condenser Fan Motor Assembly - Model 68RM50-101-15 148
 - 10.4 Condenser Fan Motor Assembly - Model 68RM50-101-16 148
 - 10.5 Condenser Fan Motor Assembly - Models 68RM50-100-17, -18, 101-18, -22, -24, -31, -33, -38, -42, -44, -51, -53, -57, -59, -62 148
 - 10.6 Condenser Fan Motor Assembly - Models 68RM50-100-16, 101-19, -21, -23, -25, -26, -27, -28, -29, -34, -36, -39, -41, -43, -45, -46, -47, -48, -49, -54, -58, -60, -64, -67, -68, -69 148



10.7 Condenser Fan Motor Assembly - Models 68RM50-101-20, -30, -35, -40, -50, -55, -56, -63, -65 -66 148

11 EVAPORATOR BLOWER ASSEMBLY 149

11.1 Evaporator Blower Assembly - Common Parts - All Models 149

11.2 Evaporator Blower Assembly - Models 68RM50-100-12, -14, 101-10, -13, -16 150

11.3 Evaporator Blower Assembly - Model 68RM50-101-15 150

11.4 Evaporator Blower Assembly - Models 68RM50-100-17, -18, 101-18, -22, -24, -31, -33, -38, -42, -44, -51, -53, -57, -59, -62 150

11.5 Evaporator Blower Assembly - Models 68RM50-100-16, 101-19, -21, -23, -25, -26, -27, -28, -29, -34, -36, -39, -41, -43, -45, -46, -47, -48, -49, -54, -58, -60, -64, -67, -68, -69 152

11.6 Evaporator Blower Assembly - Models 68RM50-101-20, -30, -35, -40, -50, -55, -56, -63, -65, -66 152

12 COMPRESSOR INSTALLATION COMPONENTS 153

12.1 Compressor Installation Components - R-134a Systems - Common Parts 153

12.2 Compressor Installation Components - 68RM50-101-10, -13, -15, -19, -20, -22, -23, -24, -26, -27 155

12.3 Compressor Installation Components - 68RM50-101-25 157

12.4 Compressor Installation Components - 68RM50-101-16, -18, -21, -33, -35, -38, -41, -53, -55 159

12.4 Compressor Installation Components - 68RM50-101-16, -18, -21, -33, -35, -38, -41, -53, -55
(Continued) 160

12.5 Compressor Installation Components - 68RM50-101-28, -29, -30, -31, -34, -36, -39, -40, -42, -43, -44, -45, -46, -47, -48, -49, -50, -51, -54, -56, -58, -60, -62, -65, -66, -67, -68, -69 161

12.6 Compressor Installation Components - 68RM50-101-57, -59, -63, -64 163

12.7 Compressor Installation Components - R-22 Systems 165

13 MICROMATE CONTROL PANEL 168

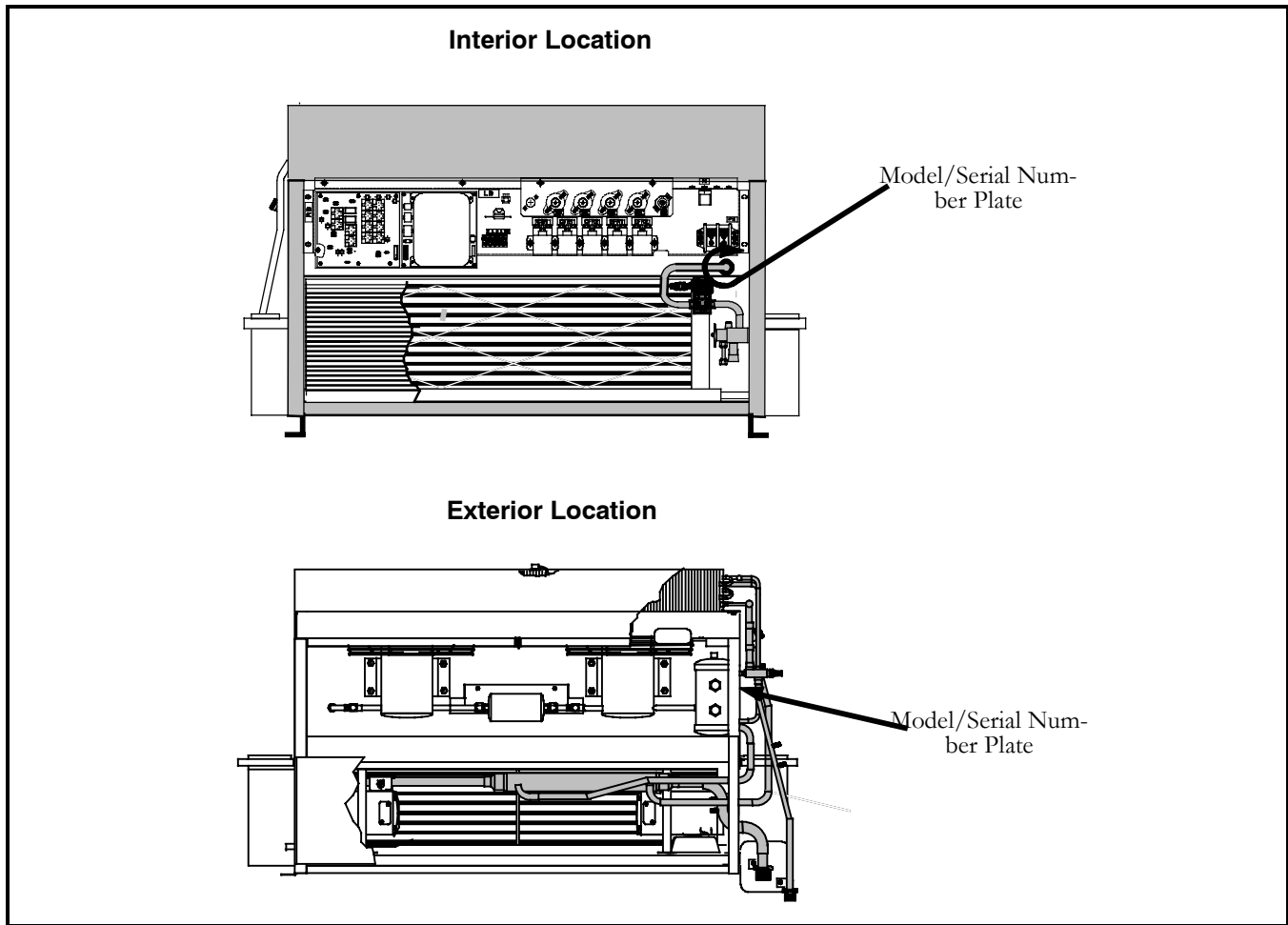
INDEX Index- 1



INTRODUCTION

This parts list identifies service replacement parts for Mobile Climate Control Model 68RM50-100 and Model 68RM50-101 Bus Air Conditioning and Heating systems found in the Model Chart (next page). This parts list contains parts required to modify the standard O5G compressor to these applications.

MODEL/SERIAL NUMBER PLATE LOCATION



MODEL CHART

Part (Model) Number	Refrigerant	Controller	Thermostat	Filter Material	Evaporator & Condenser Motors
68RM50-100-12	R-22	Micro-Max	Adjustable	Natural Hair	Wound Field
68RM50-100-14		Micro-Max	Adjustable	Natural Hair	Wound Field
68RM50-100-16		Micro-Max	Adjustable	Natural Hair	Brushless
68RM50-100-17		Micro-Max	Adjustable	Natural Hair	Wound Field
68RM50-100-18		Micro-Max	Adjustable	Natural Hair	Wound Field



MODEL CHART (Continued)

Part (Model) Number	Refrigerant	Controller	Thermostat	Filter Material	Evaporator & Condenser Motors
68RM50-101-10	R-134a	Micro-Max	Adjustable	Polyester Fabric	Wound Field
68RM50-101-13		Micro-Max	Adjustable	Natural Hair	Wound Field
68RM50-101-15		Micro-Max	Adjustable	Natural Hair	Brushless
68RM50-101-16		Micro-Max	Fixed	Natural Hair	Wound Field
68RM50-101-18		Micro-Max	Adjustable	Natural Hair	Wound Field
68RM50-101-19		Micro-Max	Adjustable	Natural Hair	Brushless
68RM50-101-20		Micro-Max	Adjustable	Natural Hair	Permanent Magnet
68RM50-101-21	R-134a High Ambient	Micro-Max	Adjustable	Natural Hair	Brushless
68RM50-101-22	R-134a	Micro-Max	Adjustable	Natural Hair	Wound Field
68RM50-101-23		Micro-Max	Adjustable	Natural Hair	Brushless
68RM50-101-24		Micro-Max	Adjustable	Natural Hair	Wound Field
68RM50-101-25		Micro-Max	Adjustable	Natural Hair	Brushless
68RM50-101-26		Micro-Max	Adjustable	Natural Hair	Brushless
68RM50-101-27		Micro-Max	Adjustable	Natural Hair	Brushless
68RM50-101-28		Micro-Max	Adjustable	Natural Hair	Brushless
68RM50-101-29		Micro-Max	Adjustable	Natural Hair	Brushless
68RM50-101-30		Micro-Max	Adjustable	Natural Hair	Permanent Magnet
68RM50-101-31		Micro-Max	Adjustable	Natural Hair	Wound Field
68RM50-101-33		Micro-Max	Adjustable	Natural Hair	Wound Field
68RM50-101-34		Micro-Max	Adjustable	Natural Hair	Brushless
68RM50-101-35		Micro-Max	Adjustable	Natural Hair	Permanent Magnet
68RM50-101-36		Micro-Max	Adjustable	Natural Hair	Brushless
68RM50-101-38		Micro-Max	Adjustable	Natural Hair	Wound Field
68RM50-101-39		Micro-Max	Adjustable	Natural Hair	Brushless
68RM50-101-40		Micro-Max	Adjustable	Natural Hair	Permanent Magnet
68RM50-101-41		R-134a High Ambient	Micro-Max	Adjustable	Natural Hair
68RM50-101-42	R-134a	Micro-Max	Adjustable	Natural Hair	Wound Field
68RM50-101-43		Micro-Max	Adjustable	Natural Hair	Brushless
68RM50-101-44		Micro-Max	Adjustable	Natural Hair	Wound Field
68RM50-101-45		Micro-Max	Adjustable	Natural Hair	Brushless
68RM50-101-46		Micro-Max	Adjustable	Natural Hair	Brushless
68RM50-101-47		Micro-Max	Adjustable	Natural Hair	Brushless
68RM50-101-48		Micro-Max	Adjustable	Natural Hair	Brushless
68RM50-101-49		Micro-Max	Adjustable	Natural Hair	Brushless
68RM50-101-50		Micro-Max	Adjustable	Natural Hair	Permanent Magnet
68RM50-101-51		Micro-Max	Adjustable	Natural Hair	Wound Field
68RM50-101-53		Micro-Max	Adjustable	Natural Hair	Wound Field
68RM50-101-54		Micro-Max	Adjustable	Natural Hair	Brushless
68RM50-101-55		Micro-Max	Adjustable	Natural Hair	Permanent Magnet
68RM50-101-56		Micro-Max	Adjustable	Natural Hair	Permanent Magnet



Part (Model) Number	Refrigerant	Controller	Thermostat	Filter Material	Evaporator & Condenser Motors
68RM50-101-57	R-134a	Micro-Max	Adjustable	Natural Hair	Wound Field
68RM50-101-58		Micro-Max	Adjustable	Natural Hair	Brushless
68RM50-101-59		Micro-Max	Adjustable	Natural Hair	Wound Field
68RM50-101-60		Micro-Max	Adjustable	Natural Hair	Brushless
68RM50-101-62		Micro-Max	Adjustable	Natural Hair	Wound Field
68RM50-101-63		Micro-Max	Adjustable	Natural Hair	Permanent Magnet
68RM50-101-64		Micro-Max	Adjustable	Natural Hair	Brushless
68RM50-101-65		Micro-Max	Adjustable	Natural Hair	Permanent Magnet
68RM50-101-66		Micro-Max	Adjustable	Natural Hair	Permanent Magnet
68RM50-101-67		Micro-Max	Adjustable	Natural Hair	Brushless
68RM50-101-68		Micro-Max	Adjustable	Natural Hair	Brushless
68RM50-101-69		Micro-Max	Adjustable	Natural Hair	Brushless

ORDERING INSTRUCTIONS

All orders and inquiries for parts must include: Unit Serial Number, Part no., description of part as shown on list and quantity required. Parts can be ordered by going to the following website:

www.mcc-hvac.com

GENERAL NOTES

To find replacement parts, determine major group in which replacement part is located, consult table of contents for the appropriate page for the illustrated breakdown of the replacement part. The following letter designations are used to classify parts throughout this list.

A/R *As Required*

NSA *Non-Stock Assembly* - order components listed under the assembly.

NSS *Not Sold Separately* - order next higher assembly or kit.

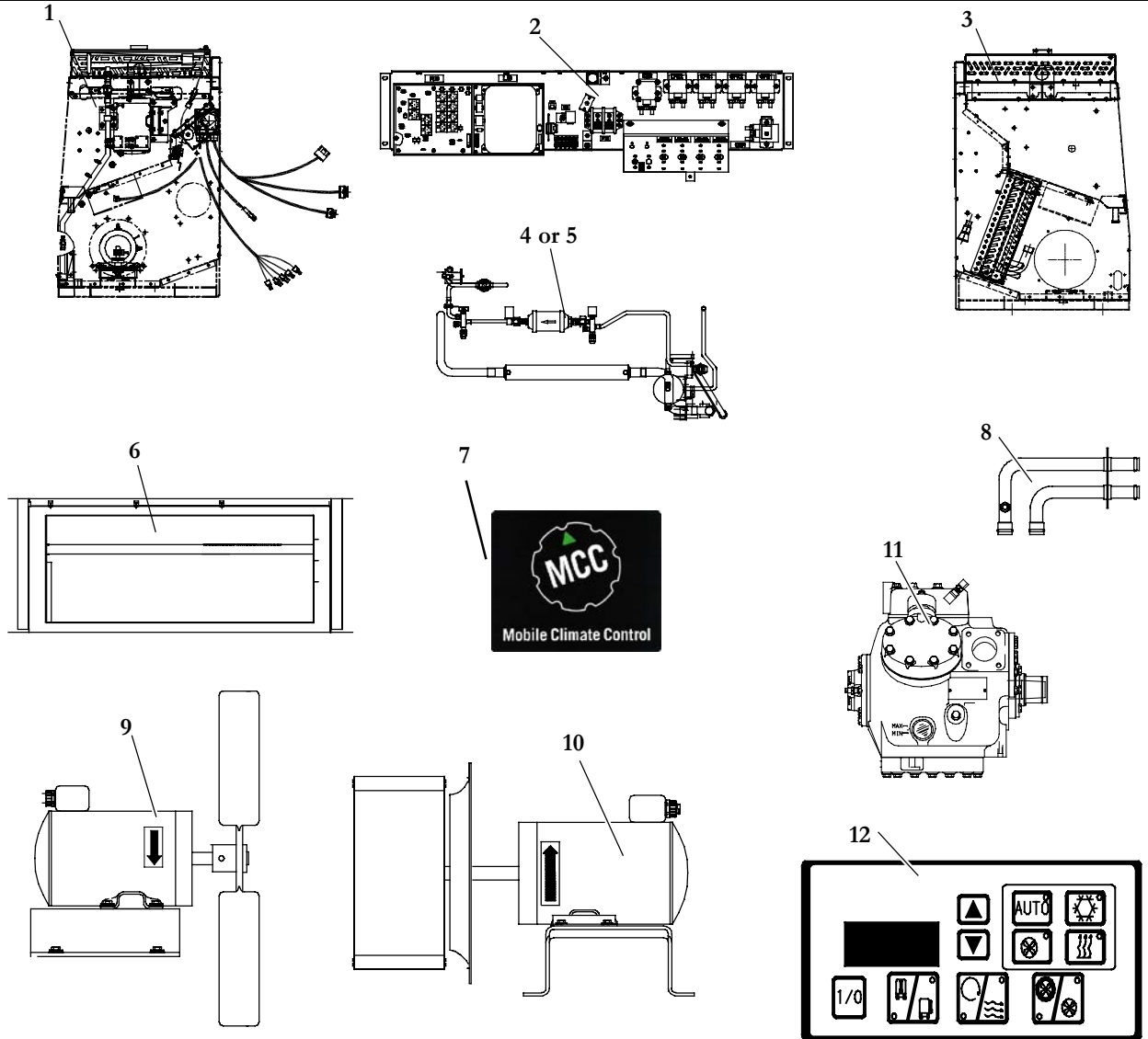
P *Painted*

SST *Stainless Steel* - 300 Series unless otherwise specified.

SV Suffix SV added to part number designates service replacement part.



1 UNIT ASSEMBLY - LOCATIONAL VIEW

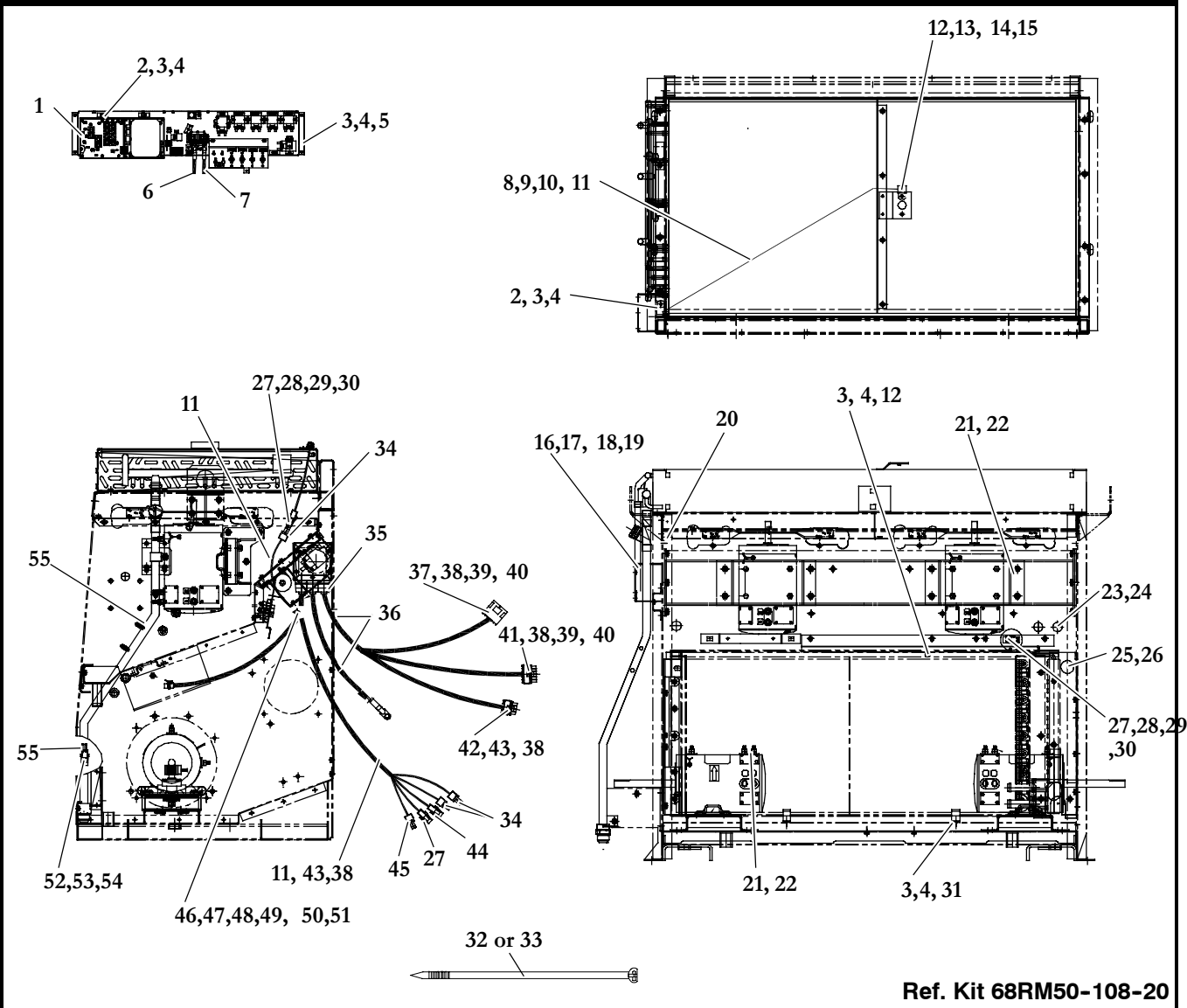


Item	Part Number	Description	Qty
1	-	Electrical Components (Refer To Section 2)	-
2	-	Electrical Control Panels (Refer To Section 3)	-
3	-	Coil Kits (Refer To Section 4)	-
4	-	Refrigerant Piping Kit - R-22 Models (Refer To Section 5)	-
5	-	Refrigerant Piping Kit - R-134a Models (Refer To Section 6)	-
6	-	Air Filters (Refer To Section 7)	-
7	-	Label - Gaskets (Refer To Section 9)	-
8	-	Heater Connection Assembly (Refer To Section 8)	-
9	-	Condenser Fan And Motor (Refer To Section 10)	-
10	-	Evaporator Fan And Motor (Refer To Section 11)	-
11	-	Compressor Components (Refer To Section 12)	-
12	-	Micromate Control Panel (Refer To Section 13)	-



2 ELECTRICAL COMPONENTS

2.1 Electrical Components - 68RM50-100-12



Ref. Kit 68RM50-108-20

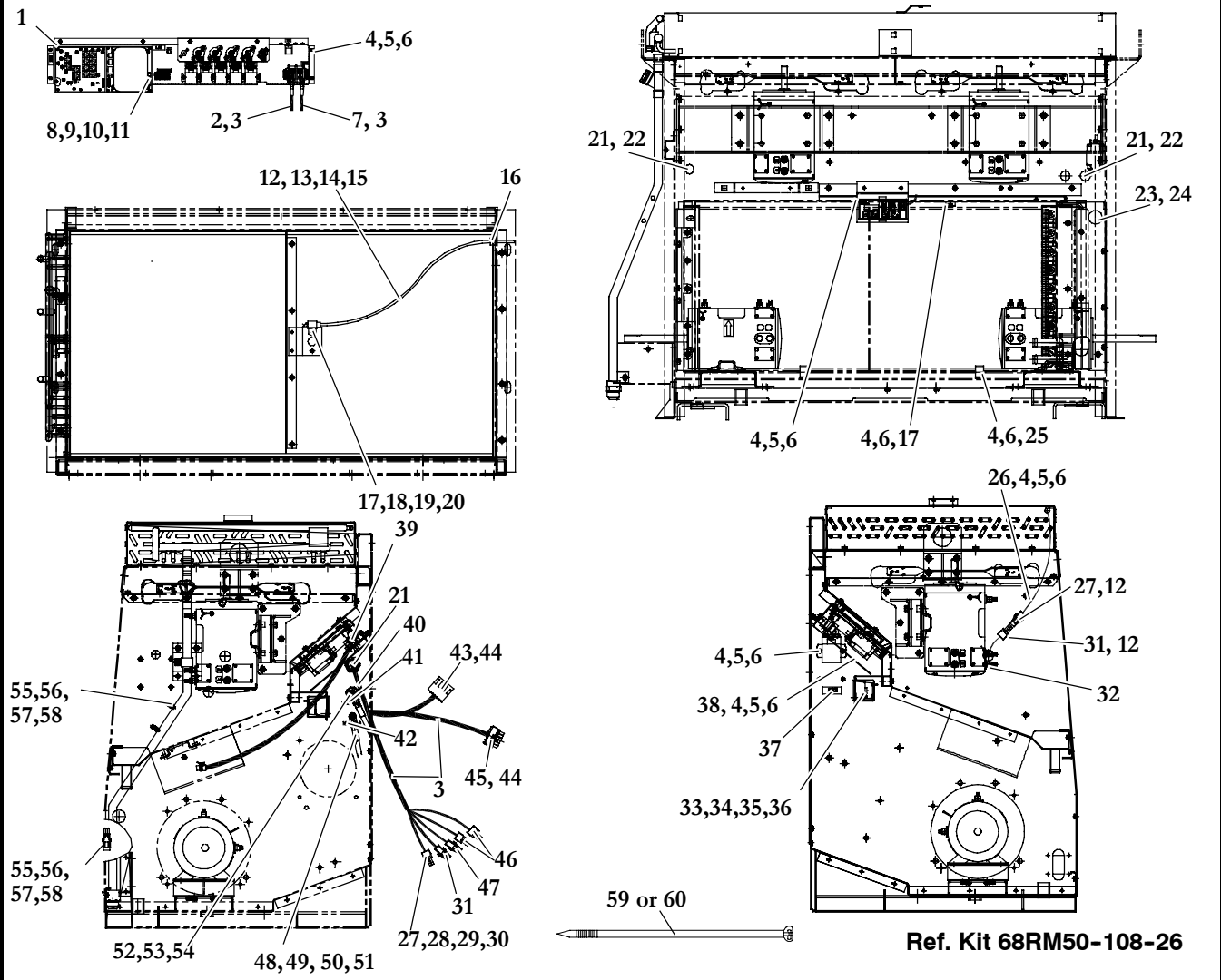
Item	Part Number	Description	Qty
1	68RM50-125-20	Electrical Control Panel Assembly (See Section 3.1)	1
2	34-00373-05	Clamp, Tube, 1/2 Inch OD, With Neoprene Cushion, SST	3
3	34-00655-06	Bolt, Hex Head, 1/4-20 x 3/4 Inch Long, SST	10
4	34-00663-11	Washer, Split Lock, 1/4, SST	10
5	34-00662-11	Washer, Plain, 1/4, SST	4
6	68RM55-210-6	Cable Assembly, Battery, Red, #2 AWG x 127.00 Inches Long	1
7	68RM55-209-6	Cable Assembly, Battery, Black, #2 AWG x 33.00 Inches Long	1
8	12-00495-02SV	Thermistor, Ambient (Replacement For 12-00305-04)	1
9	22-02394-00	Seal, Cable	2
10	22-02393-01	Terminal, Male (18-20 AWG)	2
11	58-00858-00	Tubing, Split, 1/4 Inch ID x 25.00 Feet Long, Corrugated, Black	1



2.1 Electrical Components - 68RM50-100-12 (Continued)			
Item	Part Number	Description	Qty
12	34-00373-03	Clamp, Tube, 3/8 OD, With Neoprene Cushion, SST	2
13	34-00662-08	Washer, Plain, #8, SST	1
14	34-06264-04	Screw, Hex Head, Slotted, #8-32 x 1/2 Inch Long, SST	1
15	34-00663-08	Washer, Split Lock, #8, SST	1
16	68RM50-1023P	Cover, Junction Box, Painted	1
17	68RM50-1024	Gasket, Cover, Junction Box	1
18	34-50048-00	Screw, Pan Head, Phillips, #6-32 x 1/2 Inch Long, SST	6
19	34-00662-07	Washer, Plain, #6, SST	6
20	58-00067-09	Grommet (Trim To Length)	1
21	AC201-244	Terminal, Butt Connector, 14-16 AWG	8
22	66U1-3803-15	Tubing, Heat Shrink, 3/16 Inch	2
23	22-02302-03	Connector, Straight, Conduit, Watertight, 3/4 Inch	2
24	22-02301-03	Tubing, Flexible, Spiral, Closed 3/4 Inch x 100 Feet Roll	1
25	AC801-605	Grommet, 1-1/8 I D x 1-7/16 Hole x 5/32 Inch Groove	1
26	58-00850-00	Tubing, 0.92 Inch ID x 75.00 Feet Long, Black	1
27	22-02392-00SV	Connector Kit, 2 Pin - Includes:	3
28	NSS	Connector, 2 Pin, Black	1
29	22-02393-01	Terminal, Male (18-20 AWG)	2
30	22-02394-01	Seal, Cable	2
31	34-00373-13	Clamp, Tube, 1 Inch OD, With Neoprene Cushion, SST	2
32	66U1-3882	Wire Tie, Self-Locking, 7.00 Inches, Black	35
33	AC701-301	Wire Tie, Self-Locking, 15.00 Inches, White	5
34	22-01585-02	Connector, Male, 2 Pin, Medium Gray	2
35	22-02302-02	Connector, Straight, Conduit, Watertight, 1/2 Inch	3
36	58-62124-00	Tubing, Flexible, Spiral, Closed 1/2 Inch x 100 Feet Roll, Black	1
37	22-02392-02	Connector, Female, 6 Pin	1
38	22-02394-00	Seal, Cable	18
39	22-02393-01	Terminal, Male 18-20 AWG	3
40	22-01565-01	Plug, Terminal Cavity	8
41	22-01585-03	Connector, Male, 6 Pin	1
42	22-01585-04	Connector, Male, 4 Pin, Black	1
43	22-01566-00	Terminal, Female (14-16 AWG)	15
44	22-02392-01	Connector, Female, 2 Pin, Medium Gray	1
45	22-01585-00SK	Connector, Male, 2 Pin, Black	2
46	68RM50-190	Cable Assembly, Battery, Black, #2 AWG x 80.00 Inches Long	1
47	34-06095-01	Stud, Battery Connection, 3/8-16 x 2.25 Inches Long	1
48	34-62064-08	Nut, Hex, Self-Locking, 3/8-16, Brass	3
49	AT13QA241	Nut, Hex, 3/8-16, Brass	1
50	58-00848-00	Tubing, Split, 1/2 Inch ID x 25.00 Feet Long, Corrugated, Black	1
51	34-00938-13	Washer, Lock, Internal Tooth, 3/8, Brass	1
52	22-02448-00SV	Connector Package, Female - Includes:	2
53	NSS	Connector, Female, Black, 3 Pin	1
54	22-50100-00	Terminal, Female (16-18 AWG)	3
55	12-00352-00	Transducer, Pressure, Suction/Discharge	2



2.2 Electrical Components - 68RM50-100-14



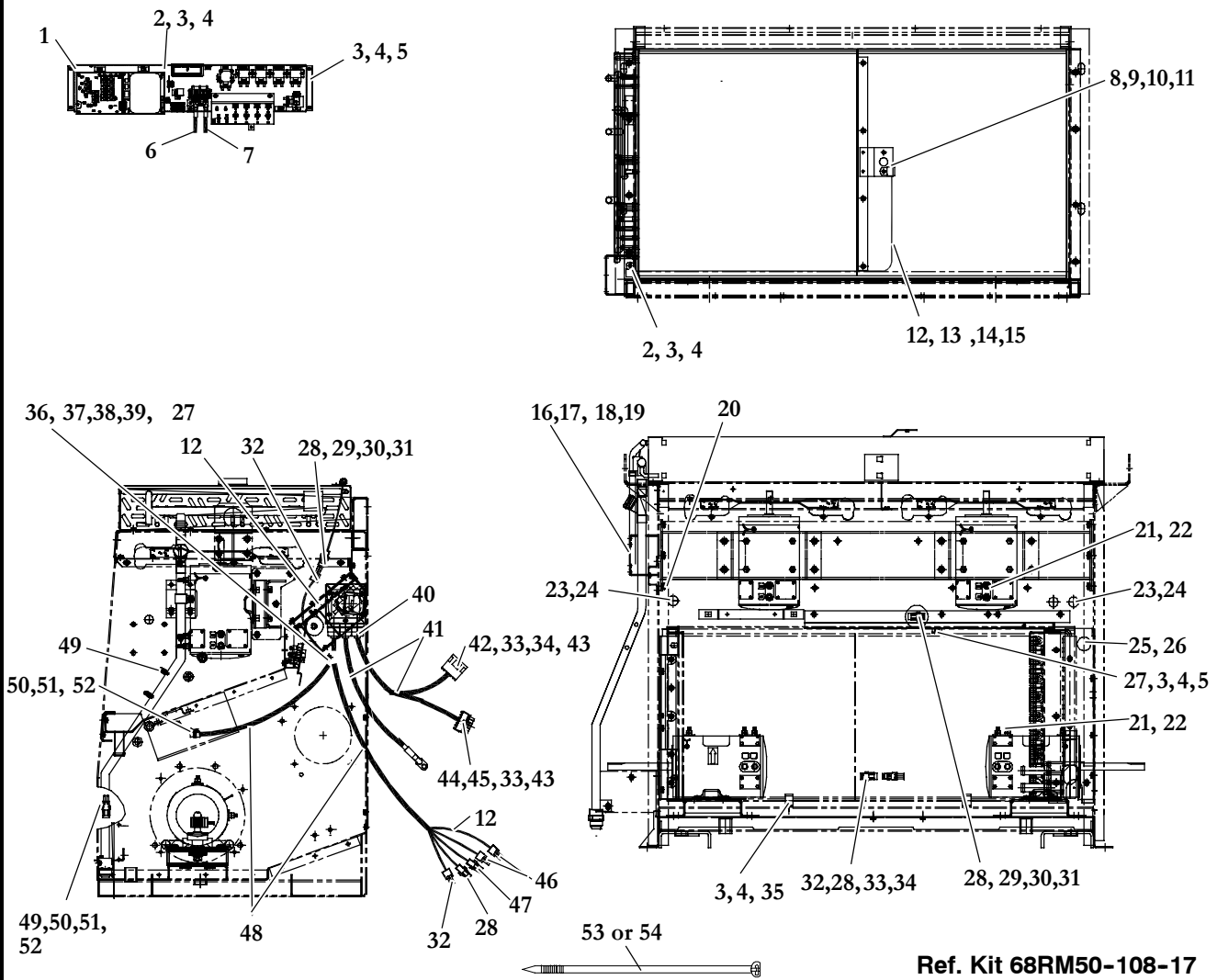
Item	Part Number	Description	Qty
1	68RM50-125-26	Electrical Control Panel Assembly (See Section 3.2)	1
2	68RM55-210-12	Cable Assembly, Battery, Red, #2 AWG x 50.00 Inches Long	1
3	58-00848-00	Tubing, Split, 1/2 Inch ID x 25.00 Feet Long, Corrugated, Black	1
4	34-00655-06	Bolt, Hex Head, 1/4-20 x 3/4 Inch Long, SST	19
5	34-00662-11	Washer, Plain, 1/4, SST	16
6	34-00663-11	Washer, Split Lock, 1/4, SST	19
7	68RM55-209-14	Cable Assembly, Battery, Black, #2 AWG x 50.00 Inches Long	1
8	22-62063-00	Harness, A/C Control - Includes:	1
9	22-62026-00	Connector, 6 Position, Red (MCP)	1
10	22-50145-00	Connector, 4 Position(J2)	1
11	22-50152-00	Terminal, Female Receptacle (16-26 AWG)	8
12	58-00858-00	Tubing, Split, 1/4 Inch ID x 25.00 Feet Long, Corrugated, Black	1
13	12-00495-02SV	Thermistor, Ambient (Replacement For 12-00305-04)	1
14	22-02394-00	Seal, Cable	2
15	22-02393-01	Terminal, Male (18-20 AWG)	2



2.2 Electrical Components - 68RM50-100-14 (Continued)			
Item	Part Number	Description	Qty
16	AC801-319	Grommet, 3/8 Inch ID, 17/32 Inch Hole, 1/8 Inch Groove	1
17	34-00373-03	Clamp, Tube, 3/8 OD, With Neoprene Cushion, SST	2
18	34-00662-08	Washer, Plain, #8, SST	1
19	34-06264-04	Screw, Hex Head, Slotted, #8-32 x 1/2 Inch Long, SST	1
20	34-00663-08	Washer, Split Lock, #8, SST	1
21	22-02302-03	Connector, Straight, Conduit, Watertight, 3/4 Inch	3
22	22-02301-03	Tubing, Flexible, Spiral, Closed 3/4 Inch x 100 Feet Roll	1
23	AC801-605	Grommet, 1-1/8 ID x 1-7/16 Hole x 5/32 Inch Groove	1
24	58-00850-00	Tubing, 0.92 Inch ID x 75.00 Feet Long, Black	1
25	34-00373-13	Clamp, Tube, 1 Inch OD, With Neoprene Cushion, SST	2
26	44-00102-51	Clamp, Tube, 1/2 Inch OD, With Neoprene Cushion, SST	1
27	22-02392-00SV	Connector Kit, 2 Pin - Includes:	2
28	NSS	Connector, 2 Pin, Black	1
29	22-02393-01	Terminal, Male (18-20 AWG)	2
30	22-02394-01	Seal, Cable	2
31	22-01585-00SK	Connector, Male, 2 Pin, Black	2
32	58-00065-85	Grommet, 7/8 Inch ID, 1-1/8 Inch Hole, 3/32 Inch Groove	1
33	12-00391-03	Module, Control	1
34	68-62125-00	Clamp, Retaining, Control Module, Painted	2
35	68-62402-00	Bracket, Control Module, Painted	1
36	34-00667-07	Nut, Hex, Self-Locking, #6-32, SST	2
37	62-62041-22	Label, ESR	1
38	68-62320-00	Cover, Relay Board, Painted	1
39	22-02302-02	Connector, Straight, Conduit, Watertight, 1/2 Inch	1
40	58-62124-00	Tubing, Flexible, Spiral, Closed 1/2 Inch x 100 Feet Roll, Black	1
41	62-62041-04	Label, POS +	1
42	62-62041-05	Label, NEG -	1
43	22-02392-02	Connector, Female, 6 Pin	1
44	22-01565-01	Plug, Terminal Cavity	4
45	22-01585-03	Connector, Male, 6 Pin	1
46	22-01585-02	Connector, Male, 2 Pin, Medium Gray	2
47	22-02392-01	Connector, Female, 2 Pin, Medium Gray	1
48	22-62017-00	Cable Assembly, Battery, Black, #2 AWG x 96.00 Inches Long	1
49	AT13QA241	Nut, Hex, 3/8-16, Brass	4
50	34-00938-13	Washer, Lock, Internal Tooth, 3/8, Brass	4
51	34-06095-01	Stud, Battery Connection, 3/8-16 x 2.25 Inches Long	1
52	10-00315-00	Stud, Battery Connection, 3/8-16 x 2.07 Inches Long, Brass	1
53	22-62018-00	Cable Assembly, Battery, Red, #2 AWG x 102.00 Inches Long	1
54	34-62001-00	Washer, Nylon, Red	1
55	12-00352-00	Transducer, Pressure, Suction/Discharge	2
56	22-02448-00SV	Connector Package, Female - Includes:	2
57	NSS	Connector, Female, Black, 3 Pin	1
58	22-50100-00	Terminal, Female (16-18 AWG)	3
59	66U1-3882	Wire Tie, Self-Locking, 7.00 Inches, Black	5
60	AC701-301	Wire Tie, Self-Locking, 15.00 Inches, White	5



2.3 Electrical Components - 68RM50-101-10



Ref. Kit 68RM50-108-17

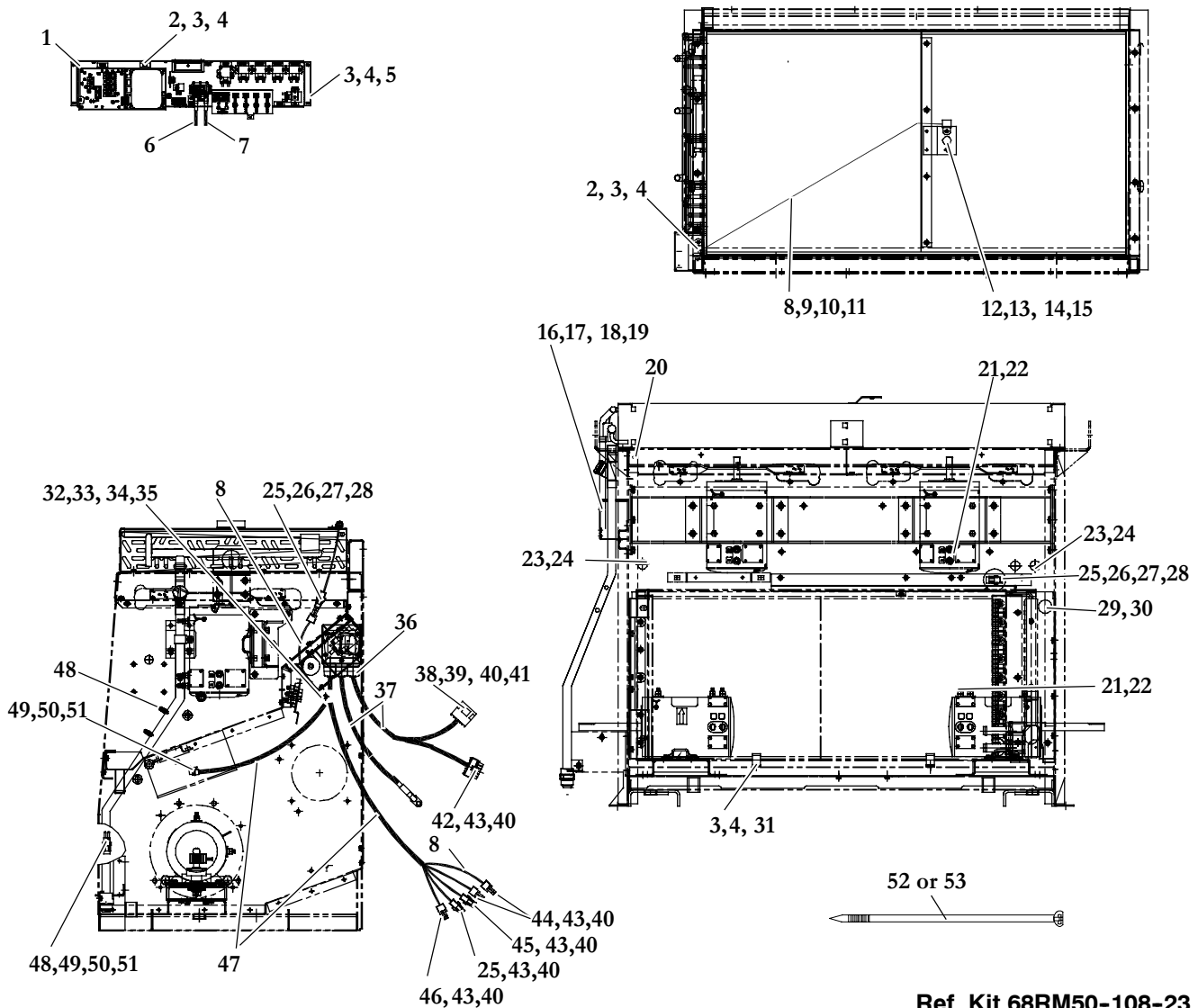
Item	Part Number	Description	Qty
1	68RM50-125-17	Electrical Control Panel Assembly (See Section 3.3)	1
2	34-00373-05	Clamp, Tube, 1/2 Inch OD, With Neoprene Cushion, SST	3
3	34-00655-06	Bolt, Hex Head, 1/4-20 x 3/4 Inch Long, SST	10
4	34-00663-11	Washer, Split Lock, 1/4, SST	10
5	34-00662-11	Washer, Plain, 1/4, SST	5
6	68RM55-210-6	Cable Assembly, Battery, Red, #2 AWG x 127.00 Inches Long	1
7	68RM55-209-6	Cable Assembly, Battery, Black, #2 AWG x 33.00 Inches Long	1
8	34-00373-03	Clamp, Tube, 3/8 OD, With Neoprene Cushion, SST	1
9	34-00662-08	Washer, Plain, #8, SST	1
10	34-06264-04	Screw, Hex Head, Slotted, #8-32 x 1/2 Inch Long, SST	1
11	34-00663-08	Washer, Split Lock, #8, SST	1
12	58-00858-00	Tubing, Split, 1/4 Inch ID x 25.00 Feet Long, Corrugated, Black	1
13	12-00495-02SV	Thermistor, Ambient (Replacement For 12-00305-04)	1
14	22-02394-00	Seal, Cable	2
15	22-02393-01	Terminal, Male (18-20 AWG)	2



2.3 Electrical Components - 68RM50-101-10 (Continued)			
Item	Part Number	Description	Qty
16	68RM50-1023P	Cover, Junction Box, Painted	1
17	68RM50-1024	Gasket, Cover, Junction Box	1
18	34-50048-00	Screw, Pan Head, Phillips, #6-32 x 1/2 Inch Long, SST	6
19	34-00662-07	Washer, Plain, #6, SST	6
20	58-00067-09	Grommet (Trim To Length)	1
21	AC201-244	Terminal, Butt Connector, 14-16 AWG	8
22	66U1-3803-15	Tubing, Heat Shrink, 3/16 Inch	4
23	22-02302-03	Connector, Straight, Conduit, Watertight, 3/4 Inch	2
24	22-02301-03	Tubing, Flexible, Spiral, Closed 3/4 Inch x 100 Feet Roll	1
25	AC801-605	Grommet, 1-1/8 I D x 1-7/16 Hole x 5/32 Inch Groove	1
26	58-00850-00	Tubing, 0.92 Inch ID x 75.00 Feet Long, Black	1
27	34-62064-08	Nut, Hex, Self-Locking, 3/8-16, Brass	3
28	22-02392-00SV	Connector Kit, 2 Pin - Includes:	4
29	NSS	Connector, 2 Pin, Black	1
30	22-02393-01	Terminal, Male (18-20 AWG)	2
31	22-02394-01	Seal, Cable	2
32	22-01585-00SK	Connector, Male, 2 Pin, Black	3
33	22-02394-00	Seal, Cable	11
34	22-02393-01	Terminal, Male 18-20 AWG	7
35	34-00373-13	Clamp, Tube, 1 Inch OD, With Neoprene Cushion, SST	2
36	34-00938-13	Washer, Lock, Internal Tooth, 3/8, Brass	1
37	68RM50-190	Cable Assembly, Battery, Black, #2 AWG x 80.00 Inches Long	1
38	34-06095-01	Stud, Battery Connection, 3/8-16 x 2.25 Inches Long	1
39	AT13QA241	Nut, Hex, 3/8-16, Brass	1
40	22-02302-02	Connector, Straight, Conduit, Watertight, 1/2 Inch	3
41	58-62124-00	Tubing, Flexible, Spiral, Closed 1/2 Inch x 100 Feet Roll, Black	1
42	22-02392-02	Connector, Female, 6 Pin	1
43	22-01565-01	Plug, Terminal Cavity	3
44	22-01585-03	Connector, Male, 6 Pin	1
45	22-01566-00	Terminal, Female (14-16 AWG)	4
46	22-01585-02	Connector, Male, 2 Pin, Medium Gray	2
47	22-02392-01	Connector, Female, 2 Pin, Medium Gray	1
48	58-00848-00	Tubing, Split, 1/2 Inch ID x 25.00 Feet Long, Corrugated, Black	1
49	12-00352-00	Transducer, Pressure, Suction/Discharge	2
50	22-02448-00SV	Connector Package, Female - Includes:	2
51	NSS	Connector, Female, Black, 3 Pin	1
52	22-50100-00	Terminal, Female (16-18 AWG)	3
53	66U1-3882	Wire Tie, Self-Locking, 7.00 Inches, Black	5
54	AC701-301	Wire Tie, Self-Locking, 15.00 Inches, White	5



2.4 Electrical Components - 68RM50-101-13



Ref. Kit 68RM50-108-23

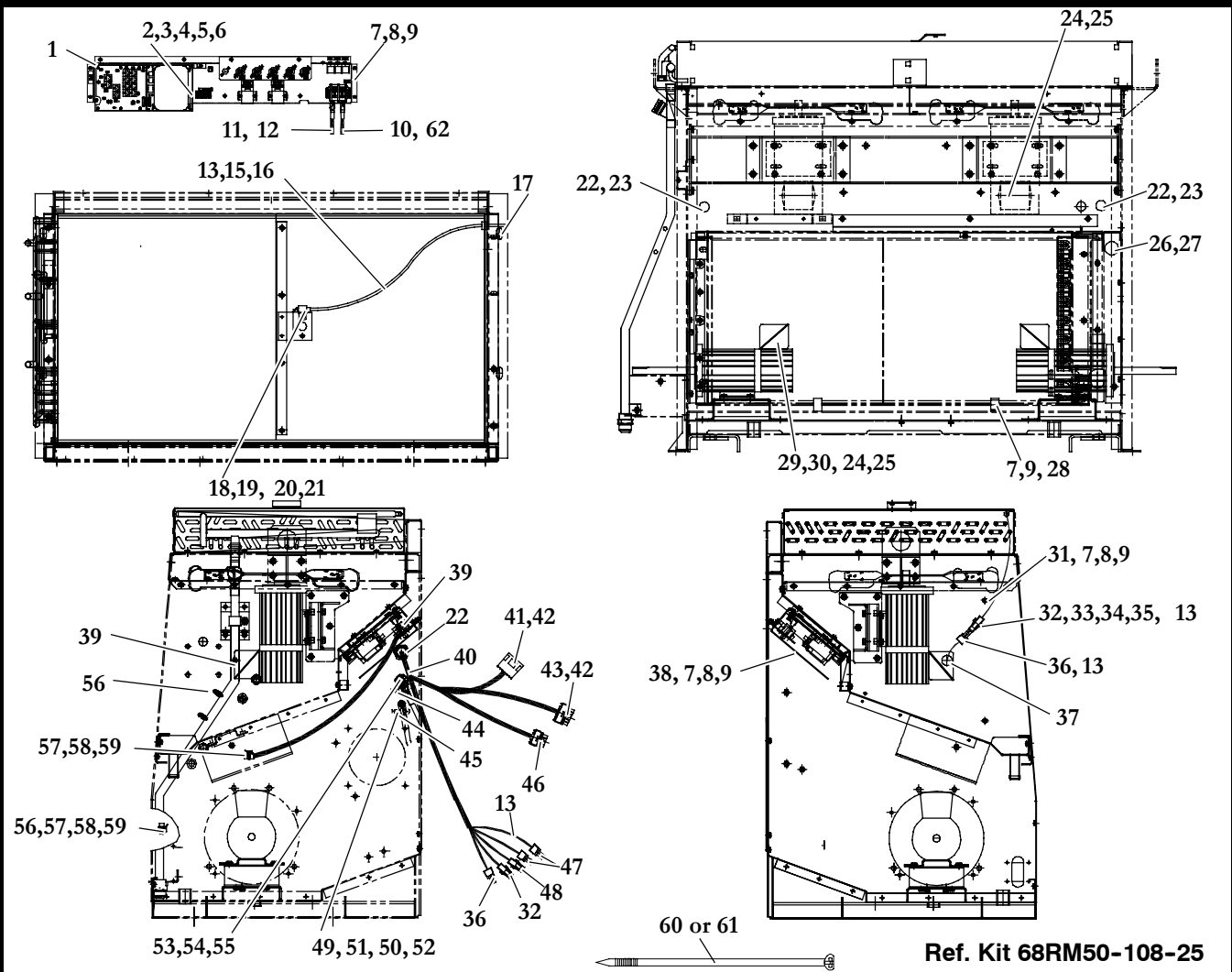
Item	Part Number	Description	Qty
1	68RM50-125-23	Electrical Control Panel Assembly (See Section 3.4)	1
2	34-00373-05	Clamp, Tube, 1/2 Inch OD, With Neoprene Cushion, SST	3
3	34-00655-06	Bolt, Hex Head, 1/4-20 x 3/4 Inch Long, SST	10
4	34-00663-11	Washer, Split Lock, 1/4, SST	10
5	34-00662-11	Washer, Plain, 1/4, SST	5
6	68RM55-210-6	Cable Assembly, Battery, Red, #2 AWG x 127.00 Inches Long	1
7	68RM55-209-6	Cable Assembly, Battery, Black, #2 AWG x 33.00 Inches Long	1
8	58-00858-00	Tubing, Split, 1/4 Inch ID x 25.00 Feet Long, Corrugated, Black	1
9	12-00495-02SV	Thermistor, Ambient (Replacement For 12-00305-04)	1
10	22-02394-00	Seal, Cable	2
11	22-02393-01	Terminal, Male (18-20 AWG)	2



2.4 Electrical Components - 68RM50-101-13 (Continued)			
Item	Part Number	Description	Qty
12	34-00373-03	Clamp, Tube, 3/8 OD, With Neoprene Cushion, SST	1
13	34-00662-08	Washer, Plain, #8, SST	1
14	34-06264-04	Screw, Hex Head, Slotted, #8-32 x 1/2 Inch Long, SST	1
15	34-00663-08	Washer, Split Lock, #8, SST	1
16	34-50048-00	Screw, Pan Head, Phillips, #6-32 x 1/2 Inch Long, SST	6
17	34-00662-07	Washer, Plain, #6, SST	6
18	68RM50-1023P	Cover, Junction Box, Painted	1
19	68RM50-1024	Gasket, Cover, Junction Box	1
20	58-00067-09	Grommet (Trim To Length)	1
21	AC201-244	Terminal, Butt Connector, 14-16 AWG	8
22	66U1-3803-15	Tubing, Heat Shrink, 3/16 Inch	4
23	22-02302-03	Connector, Straight, Conduit, Watertight, 3/4 Inch	2
24	22-02301-03	Tubing, Flexible, Spiral, Closed 3/4 Inch x 100 Feet Roll	1
25	22-02392-00SV	Connector Kit, 2 Pin - Includes:	3
26	NSS	Connector, 2 Pin, Black	1
27	22-02393-01	Terminal, Male (18-20 AWG)	2
28	22-02394-01	Seal, Cable	2
29	AC801-605	Grommet, 1-1/8 I D x 1-7/16 Hole x 5/32 Inch Groove	1
30	58-00850-00	Tubing, 0.92 Inch ID x 75.00 Feet Long, Black	5
31	34-00373-13	Clamp, Tube, 1 Inch OD, With Neoprene Cushion, SST	2
32	AT13QA241	Nut, Hex, 3/8-16, Brass	4
33	34-00938-13	Washer, Lock, Internal Tooth, 3/8, Brass	4
34	68RM50-190	Cable Assembly, Battery, Black, #2 AWG x 80.00 Inches Long	1
35	34-06095-01	Stud, Battery Connection, 3/8-16 x 2.25 Inches Long	1
36	22-02302-02	Connector, Straight, Conduit, Watertight, 1/2 Inch	3
37	58-62124-00	Tubing, Flexible, Spiral, Closed 1/2 Inch x 100 Feet Roll, Black	1
38	22-02392-02	Connector, Female, 6 Pin	1
39	22-01565-01	Plug, Terminal Cavity	2
40	22-02394-00	Seal, Cable	22
41	22-02393-01	Terminal, Male (18-20 AWG)	4
42	22-01585-03	Connector, Male, 6 Pin	1
43	22-01566-00	Terminal, Female (14-16 AWG)	18
44	22-01585-02	Connector, Male, 2 Pin, Medium Gray	2
45	22-02392-01	Connector, Female, 2 Pin, Medium Gray	1
46	22-01585-00SK	Connector, Male, 2 Pin, Black	2
47	58-00848-00	Tubing, Split, 1/2 Inch ID x 25.00 Feet Long, Corrugated, Black	1
48	12-00352-00	Transducer, Pressure, Suction/Discharge	2
49	22-02448-00SV	Connector Package, Female - Includes:	2
50	NSS	Connector, Female, Black, 3 Pin	1
51	22-50100-00	Terminal, Female (16-18 AWG)	3
52	66U1-3882	Wire Tie, Self-Locking, 7.00 Inches, Black	5
53	AC701-301	Wire Tie, Self-Locking, 15.00 Inches, White	5



2.5 Electrical Components - 68RM50-101-15



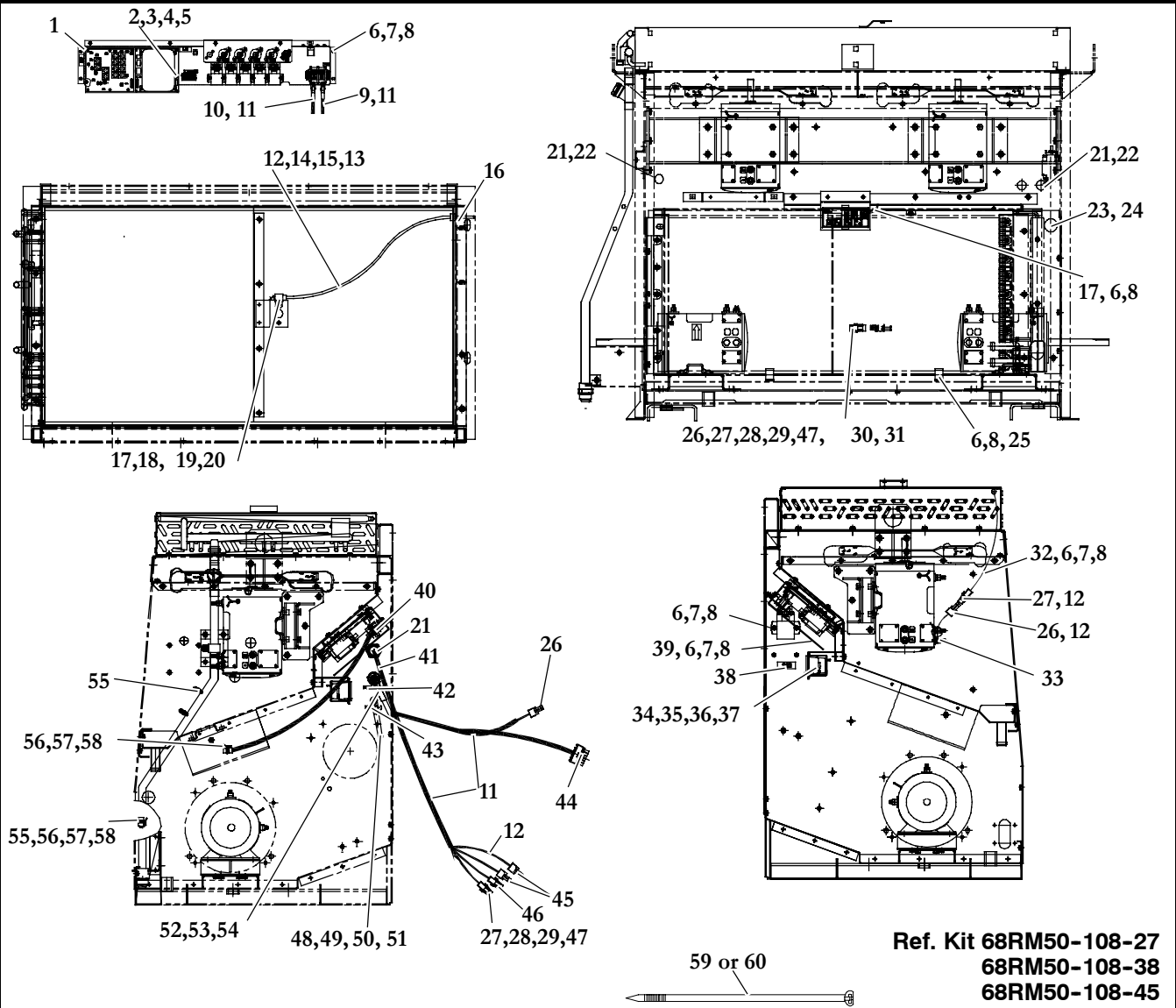
Item	Part Number	Description	Qty
1	68RM50-125-25	Electrical Control Panel Assembly (See Section 3.5)	1
2	22-62089-00	Harness, Remote (NFI) - Includes:	1
3	22-50145-00	Connector, Plug, 4 Pin	1
4	22-50152-00	Terminal, Female Receptacle (16-26 AWG)	4
5	22-50285-00	Seal, Cable, Green (.06 - .08 Cable OD)	4
6	22-01566-01	Terminal, Female (18-20 AWG)	4
7	34-00655-06	Bolt, Hex Head, 1/4-20 x 3/4 Inch Long, SST	A/R
8	34-00662-11	Washer, Plain, 1/4, SST	A/R
9	34-00663-11	Washer, Split Lock, 1/4, SST	A/R
10	68RM55-210-12	Cable Assembly, Battery, Red, #2 AWG x 50.00 Inches Long	1
11	68RM55-209-14	Cable Assembly, Battery, Black, #2 AWG x 50.00 Inches Long	1
12	58-00848-00	Tubing, Split, 1/2 Inch ID x 25.00 Feet Long, Corrugated, Black	1
13	58-00858-00	Tubing, Split, 1/4 Inch ID x 25.00 Feet Long, Corrugated, Black	1
14	12-00495-02SV	Thermistor, Ambient (Replacement For 12-00305-04)	1
15	22-02394-00	Seal, Cable	2
16	22-02393-01	Terminal, Male (18-20 AWG)	2
17	AC801-319	Grommet, 3/8 Inch ID, 17/32 Inch Hole, 1/8 Inch Groove	1



2.5 Electrical Components - 68RM50-101-15 (Continued)			
Item	Part Number	Description	Qty
18	34-00373-03	Clamp, Tube, 3/8 OD, With Neoprene Cushion, SST	2
19	34-00662-08	Washer, Plain, #8, SST	1
20	34-06264-04	Screw, Hex Head, Slotted, #8-32 x 1/2 Inch Long, SST	1
21	34-00663-08	Washer, Split Lock, #8, SST	1
22	22-02302-03	Connector, Straight, Conduit, Watertight, 3/4 Inch	3
23	22-02301-03	Tubing, Flexible, Spiral, Closed 3/4 Inch x 100 Feet Roll	1
24	22-02126-02	Cap, Insulated, Electrical, #12 to #14 AWG	8
25	22-02126-03	Cap, Insulated, Electrical, #14 to #16 AWG	8
26	AC801-605	Grommet, 1-1/8 I D x 1-7/16 Hole x 5/32 Inch Groove	1
27	58-00850-00	Tubing, 0.92 Inch ID x 75.00 Feet Long, Black	5
28	34-00373-13	Clamp, Tube, 1 Inch OD, With Neoprene Cushion, SST	2
29	AC701-237	Connector, Romex To Box, 3/8 Inch	2
30	AC301-204	Hose, Valve-Kazoo, 1 Inch	1
31	44-00102-51	Clamp, Tube, 1/2 Inch OD, With Neoprene Cushion, SST	1
32	22-02392-00SV	Connector Kit, 2 Pin - Includes:	2
33	NSS	Connector, 2 Pin, Black	1
34	22-02393-01	Terminal, Male (18-20 AWG)	2
35	22-02394-01	Seal, Cable	2
36	22-01585-00SK	Connector, Male, 2 Pin, Black	2
37	58-00065-85	Grommet, 7/8 Inch ID, 1-1/8 Inch Hole, 3/32 Inch Groove	1
38	68-62320-00	Cover, Relay Board, Painted	1
39	22-02302-02	Connector, Straight, Conduit, Watertight, 1/2 Inch	3
40	58-62124-00	Tubing, Flexible, Spiral, Closed 1/2 Inch x 100 Feet Roll, Black	1
41	22-02392-02	Connector, Female, 6 Pin	1
42	22-01565-01	Plug, Terminal Cavity	4
43	22-01585-03	Connector, Male, 6 Pin	1
44	62-62041-04	Label, POS +	1
45	62-62041-05	Label, NEG -	1
46	22-01585-04	Connector, Male, 4 Pin, Black	1
47	22-01585-02	Connector, Male, 2 Pin, Medium Gray	2
48	22-02392-01	Connector, Female, 2 Pin, Medium Gray	1
49	34-06095-01	Stud, Battery Connection, 3/8-16 x 2.25 Inches Long	1
50	AT13QA241	Nut, Hex, 3/8-16, Brass	4
51	34-00938-13	Washer, Lock, Internal Tooth, 3/8, Brass	4
52	22-62017-00	Cable Assembly, Battery, Black, #2 AWG x 96.00 Inches Long	1
53	10-00315-00	Stud, Battery Connection, 3/8-16 x 2.07 Inches Long, Brass	1
54	22-62018-00	Cable Assembly, Battery, Red, #2 AWG x 102.00 Inches Long	1
55	34-62001-00	Washer, Nylon, Red	1
56	12-00352-00	Transducer, Pressure, Suction/Discharge	2
57	22-02448-00SV	Connector Package, Female - Includes:	2
58	NSS	Connector, Female, Black, 3 Pin	1
59	22-50100-00	Terminal, Female (16-18 AWG)	3
60	66U1-3882	Wire Tie, Self-Locking, 7.00 Inches, Black	5
61	AC701-301	Wire Tie, Self-Locking, 15.00 Inches, White	5
62	58-01368-00	Tubing, Spiral, Corrugated, 1/2 Inch Closed Red (25 Feet Roll)	1



2.6 Electrical Components - 68RM50-101-16, -18, -24, -33



Item	Part Number	Description	Qty
1	68RM50-125-27	Electrical Control Panel Assembly, Models 68RM50-101-16, -18, -24 (See Section 3.2)	1
	68RM50-125-37	Electrical Control Panel Assembly, Model 68RM50-101-33 Only (See Section 3.2)	
2	22-62063-00	Harness, A/C Control - Includes:	1
3	22-62026-00	Connector, 6 Position, Red (MCP)	1
4	22-50145-00	Connector, 4 Position(J2)	1
5	22-50152-00	Terminal, Female Receptacle (16-26 AWG)	8
6	34-00655-06	Bolt, Hex Head, 1/4-20 x 3/4 Inch Long, SST	19
7	34-00662-11	Washer, Plain, 1/4, SST	16
8	34-00663-11	Washer, Split Lock, 1/4, SST	19
9	68RM55-210-12	Cable Assembly, Battery, Red, #2 AWG x 50.00 Inches Long	1
10	68RM55-209-14	Cable Assembly, Battery, Black, #2 AWG x 50.00 Inches Long	1
11	58-00848-00	Tubing, Split, 1/2 Inch ID x 25.00 Feet Long, Corrugated, Black	1
12	58-00858-00	Tubing, Split, 1/4 Inch ID x 25.00 Feet Long, Corrugated, Black	1



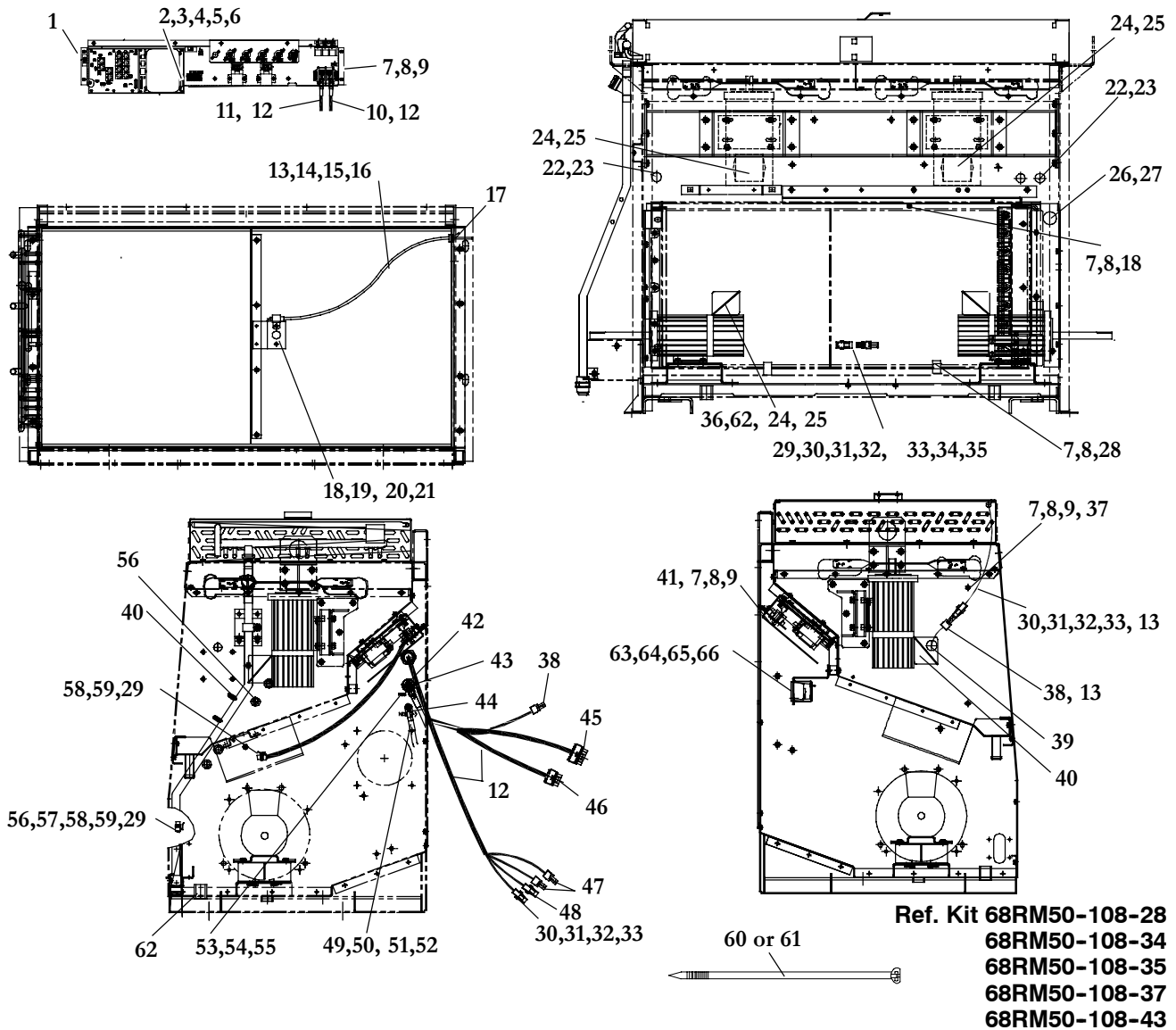
2.6 Electrical Components - 68RM50-101-16, -18, -24, -33 (Continued)			
Item	Part Number	Description	Qty
13	22-02393-01	Terminal, Male (18-20 AWG)	2
14	12-00495-02SV	Thermistor, Ambient (Replacement For 12-00305-04)	1
15	22-02394-00	Seal, Cable	2
16	AC801-319	Grommet, 3/8 Inch ID, 17/32 Inch Hole, 1/8 Inch Groove	1
17	34-00373-03	Clamp, Tube, 3/8 OD, With Neoprene Cushion, SST	2
18	34-00662-08	Washer, Plain, #8, SST	1
19	34-06264-04	Screw, Hex Head, Slotted, #8-32 x 1/2 Inch Long, SST	1
20	34-00663-08	Washer, Split Lock, #8, SST	1
21	22-02302-03	Connector, Straight, Conduit, Watertight, 3/4 Inch	3
22	22-02301-03	Tubing, Flexible, Spiral, Closed 3/4 Inch x 100 Feet Roll	1
23	58-00065-88	Grommet, 1-3/8 Inch I D x 1-5/8 Inch Hole x 5/32 Inch Groove	1
24	58-00850-00	Tubing, 0.92 Inch ID x 75.00 Feet Long, Black	1
25	34-00373-13	Clamp, Tube, 1 Inch OD, With Neoprene Cushion, SST	2
26	22-01585-00SK	Connector, Male, 2 Pin, Black	3
27	22-02392-00SV	Connector Kit, 2 Pin - Includes:	3
28	NSS	Connector, 2 Pin, Black	1
29	22-02393-01	Terminal, Male (18-20 AWG)	2
30	22-02393-00	Terminal, Male (14-16 AWG)	2
31	22-02394-00	Seal, Cable	2
32	44-00102-51	Clamp, Tube, 1/2 Inch OD, With Neoprene Cushion, SST	1
33	58-00065-85	Grommet, 7/8 Inch ID, 1-1/8 Inch Hole, 3/32 Inch Groove	1
34	12-00391-03	Module, Drivers Control	1
35	68-62125-00	Clamp, Retaining, Control Module, Painted	1
36	68-62402-00	Bracket, Control Module, Painted	1
37	34-00667-07	Nut, Hex, Self-Locking, #6-32, SST	1
38	62-62041-22	Label, ESR	1
39	68-62320-00	Cover, Relay Board, Painted	1
40	22-02302-02	Connector, Straight, Conduit, Watertight, 1/2 Inch	1
41	58-62124-00	Tubing, Flexible, Spiral, Closed 1/2 Inch x 100 Feet Roll, Black	1
42	62-62041-04	Label, POS +	1
43	62-62041-05	Label, NEG -	1
44	22-01585-03	Connector, Male, 6 Pin	1
45	22-01585-02	Connector, Male, 2 Pin, Medium Gray	2
46	22-02392-01	Connector, Female, 2 Pin, Medium Gray	1
47	22-02394-01	Seal, Cable	2
48	34-06095-01	Stud, Battery Connection, 3/8-16 x 2.25 Inches Long	1
49	34-00938-13	Washer, Lock, Internal Tooth, 3/8, Brass	4
50	AT13QA241	Nut, Hex, 3/8-16, Brass	4
51	22-62017-00	Cable Assembly, Battery, Black, #2 AWG x 96.00 Inches Long	1
52	10-00315-00	Stud, Battery Connection, 3/8-16 x 2.07 Inches Long, Brass	1
53	22-62018-00	Cable Assembly, Battery, Red, #2 AWG x 102.00 Inches Long (-16, -18 Only)	1
	22-62018-01	Cable Assembly, Battery, Red, #2 AWG x 118.00 Inches Long (-24 Only)	
54	34-62001-00	Washer, Nylon, Red	1
55	12-00352-00	Transducer, Pressure, Suction/Discharge	2
56	22-02448-00SV	Connector Package, Female - Includes:	2



2.6 Electrical Components - 68RM50-101-16, -18, -24, -33 (Continued)			
Item	Part Number	Description	Qty
57	NSS	Connector, Female, Black, 3 Pin	1
58	22-50100-00	Terminal, Female (16-18 AWG)	3
59	66U1-3882	Wire Tie, Self-Locking, 7.00 Inches, Black	5
60	AC701-301	Wire Tie, Self-Locking, 15.00 Inches, White	5



2.7 Electrical Components - 68RM50-101-19, -23, -25, -26, -27, -28, -29, -34



Item	Part Number	Description	Qty
1	68RM50-125-28	Electrical Control Panel Assembly (See Section 3.5)	1
2	22-62089-00	Harness, Remote (NFI) (Models 68RM50-101-19, -23, -25, -26, -28) - Includes:	1
3	22-50145-00	Connector, Plug, 4 Pin	1
4	22-50152-00	Terminal, Female Receptacle (16-26 AWG)	4
5	22-50285-00	Seal, Cable, Green (.06 - .08 Cable OD)	4
6	22-01566-01	Terminal, Female (18-20 AWG)	4
2	22-62063-00	Harness, A/C Control, 17.00 Inches Long (Models 68RM50-101-27, -29, -34) - Includes:	1
3	22-62026-00	Connector, Plug, 6 Position	1
4	22-50145-00	Connector, Plug, 4 Position	1
5	22-50152-00	Terminal, Female Receptacle (16-26 AWG)	10
7	34-00655-06	Bolt, Hex Head, 1/4-20 x 3/4 Inch Long, SST	A/R
8	34-00662-11	Washer, Plain, 1/4, SST	A/R
9	34-00663-11	Washer, Split Lock, 1/4, SST	A/R



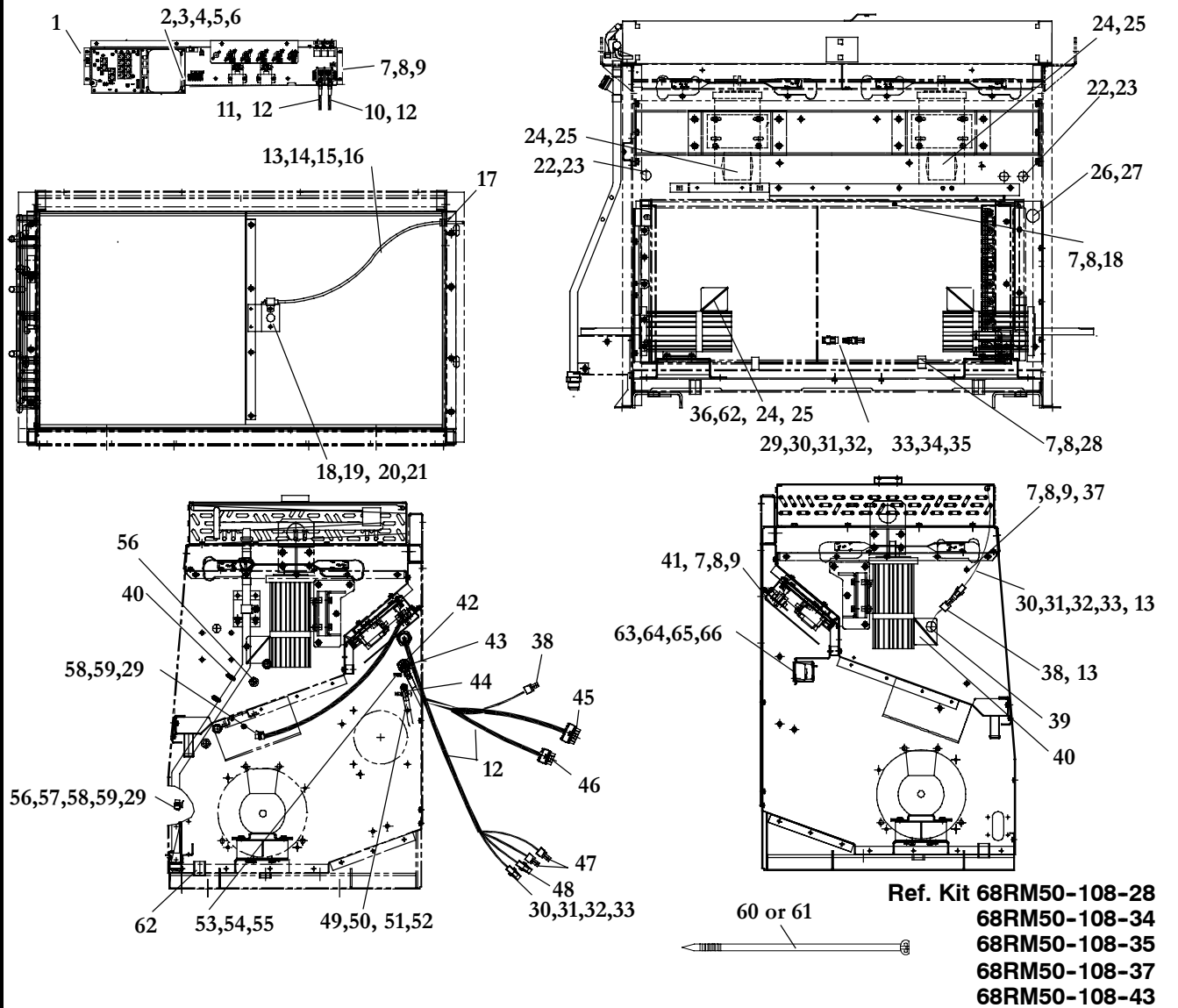
2.7 Electrical Components - 68RM50-101-19, -23, -25, -26, -27, -28, -29, -34 (Continued)			
10	68RM55-210-12	Cable Assembly, Battery, Red, #2 AWG x 50.00 Inches Long	1
11	68RM55-209-14	Cable Assembly, Battery, Black, #2 AWG x 50.00 Inches Long	1
12	58-00848-00	Tubing, Split, 1/2 Inch ID x 25.00 Feet Long, Corrugated, Black	1
13	58-00858-00	Tubing, Split, 1/4 Inch ID x 25.00 Feet Long, Corrugated, Black	1
14	12-00495-02SV	Thermistor, Ambient (Replacement For 12-00305-04)	1
15	22-02394-00	Seal, Cable	2
16	22-02393-01	Terminal, Male (18-20 AWG)	2
17	AC801-319	Grommet, 3/8 Inch ID, 17/32 Inch Hole, 1/8 Inch Groove	1
18	34-00373-03	Clamp, Tube, 3/8 OD, With Neoprene Cushion, SST	2
19	34-00662-08	Washer, Plain, #8, SST	1
20	34-06264-04	Screw, Hex Head, Slotted, #8-32 x 1/2 Inch Long, SST	1
21	34-00663-08	Washer, Split Lock, #8, SST	1
22	22-02302-03	Connector, Straight, Conduit, Watertight, 3/4 Inch	3
23	22-02301-03	Tubing, Flexible, Spiral, Closed 3/4 Inch x 100 Feet Roll	1
24	22-02126-02	Cap, Insulated, Electrical, #12 to #14 AWG	8
25	22-02126-03	Cap, Insulated, Electrical, #14 to #16 AWG	8
26	58-00065-88	Grommet, 1-3/8 Inch I D x 1-5/8 Inch Hole x 5/32 Inch Groove	1
27	58-00850-00	Tubing, 0.92 Inch ID x 75.00 Feet Long, Black	1
28	34-00373-13	Clamp, Tube, 1 Inch OD, With Neoprene Cushion, SST	2
29	22-50100-00	Terminal, Female (Covered BY ITEM 3B)	6
30	22-02392-00SV	Connector Kit, 2 Pin - Includes:	3
31	NSS	Connector, 2 Pin, Black	1
32	22-02393-01	Terminal, Male (18-20 AWG)	2
33	22-02394-01	Seal, Cable	2
34	22-02393-00	Terminal, Male (14-16 AWG)	2
35	22-02394-00	Seal, Cable	2
36	AC701-237	Connector, Romex To Box, 3/8 Inch	2
37	44-00102-51	Clamp, Tube, 1/2 Inch OD, With Neoprene Cushion, SST	1
38	22-01585-00SK	Connector, Male, 2 Pin, Black	A/R
39	58-00065-85	Grommet, 7/8 Inch ID, 1-1/8 Inch Hole, 3/32 Inch Groove	1
40	22-02302-02	Connector, Straight, Conduit, Watertight, 1/2 Inch	3
41	68-62320-00	Cover, Relay Board, Painted	1
42	62-62041-04	Label, POS +	1
43	58-62124-00	Tubing, Flexible, Spiral, Closed 1/2 Inch x 100 Feet Roll, Black	1
44	62-62041-05	Label, NEG -	1
45	22-01585-03	Connector, Male, 6 Pin	1
46	22-01585-04	Connector, Male, 4 Pin, Black	1
47	22-01585-02	Connector, Male, 2 Pin, Medium Gray	2
48	22-02392-01	Connector, Female, 2 Pin, Medium Gray	1
49	34-06095-01	Stud, Battery Connection, 3/8-16 x 2.25 Inches Long	1
50	AT13QA241	Nut, Hex, 3/8-16, Brass	4
51	34-00938-13	Washer, Lock, Internal Tooth, 3/8, Brass	4
52	22-62017-00	Cable Assembly, Battery, Black, #2 AWG x 96.00 Inches Long	1
53	10-00315-00	Stud, Battery Connection, 3/8-16 x 2.07 Inches Long, Brass	1



2.7 Electrical Components - 68RM50-101-19, -23, -25, -26, -27, -28, -29, -34 (Continued)			
54	22-62018-00	Cable Assembly, Battery, Red, #2 AWG x 102.00 Inches Long (Models 101-19, -23, -25 Only)	1
	22-62018-01	Cable Assembly, Battery, Red, #2 AWG x 118.00 Inches Long (Models 101-26, -27, -28, -29, -34 Only)	



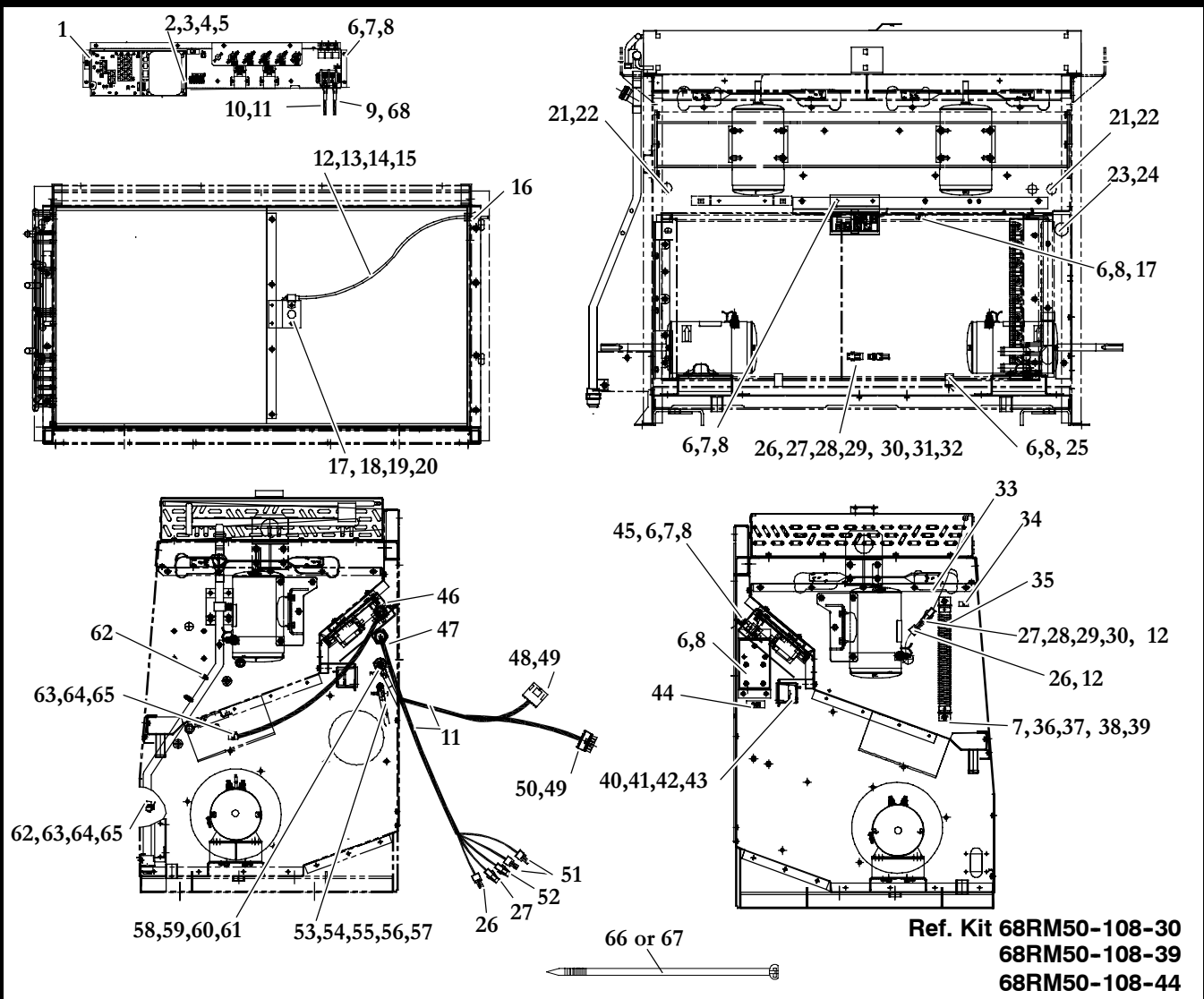
2.7 Electrical Components - 68RM50-101-19, -23, -25, -26, -27, -28, -29, -34 (Continued)



Item	Part Number	Description	Qty
55	34-62001-00	Washer, Nylon, Red	1
56	12-00352-00	Transducer, Pressure, Suction/Discharge	2
57	22-02448-00SV	Connector Package, Female - Includes:	2
58	NSS	Connector, Female, Black, 3 Pin	1
59	22-50100-00	Terminal, Female (16-18 AWG)	3
60	66U1-3882	Wire Tie, Self-Locking, 7.00 Inches, Black	5
61	AC701-301	Wire Tie, Self-Locking, 15.00 Inches, White	5
62	AC301-204	Hose, Valve-Kazoo, 1 Inch	1
63	12-00391-03	Module, Driver's Display (Micromate Panel) (Models 101-25, -27, -29, -34 Only)	1
64	68-62125-00	Clamp, Retaining, Module, Painted (Models 101-25, -27, -29, -34 Only)	1
65	68-62402-00	Bracket, Mounting, Module, Painted (Models 101-25, -27, -29, -34 Only)	1
66	34-00667-07	Nut, Hex, Self-Locking, #6-32, SST (Models 101-25, -27, -29, -34 Only)	1
67	58-01368-00	Tubing, Spiral, Corrugated, 1/2 Inch, Closed, Red, 25 Feet Long (Models 101-19, -23 Only)	1



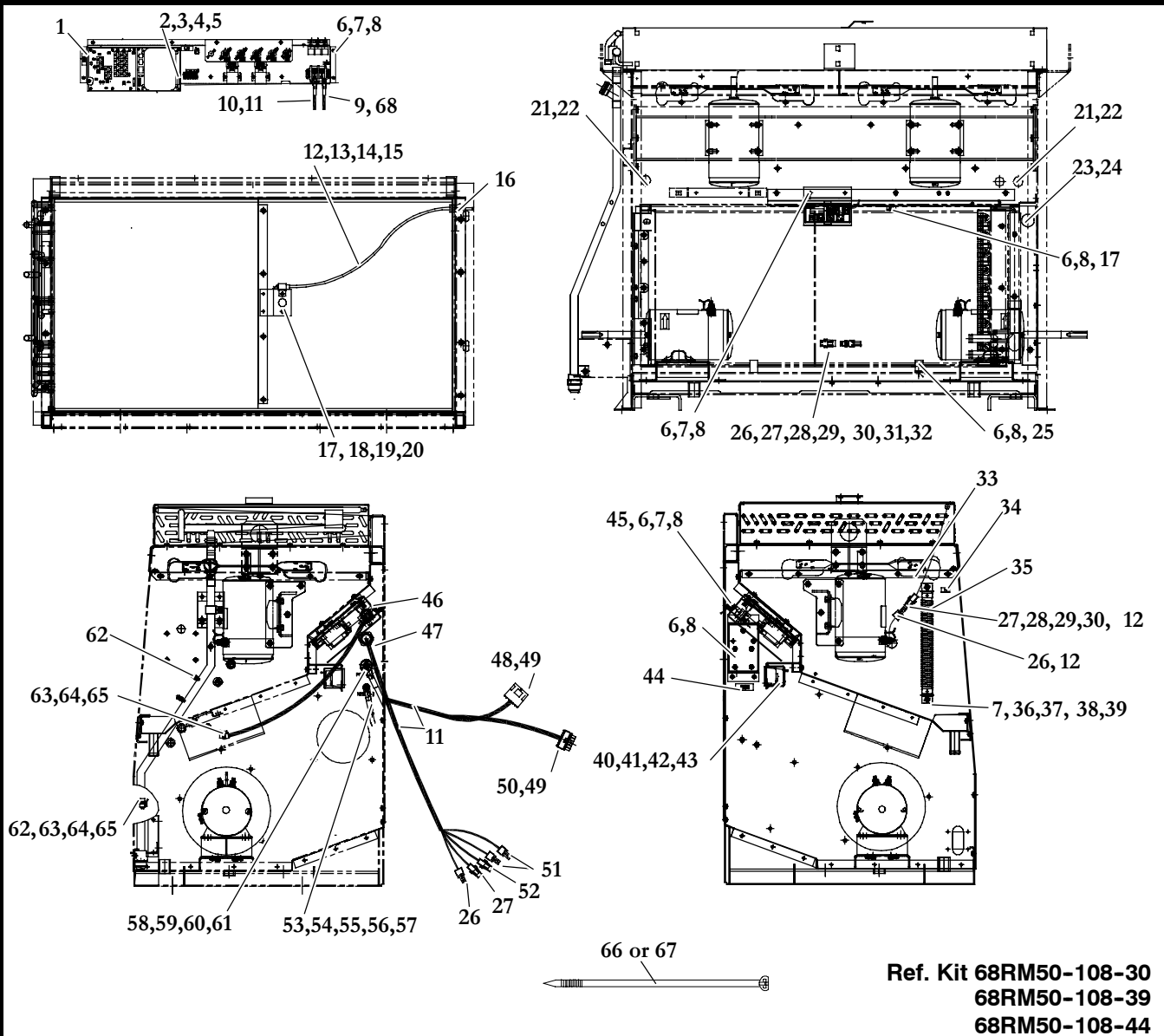
2.8 Electrical Components - 68RM50-101-20, -30, -35



Item	Part Number	Description	Qty
1	68RM50-125-30	Electrical Control Panel Assembly, 68RM50-101-20, -30 (See Section 3.6)	1
	68RM50-125-36	Electrical Control Panel Assembly, 68RM50-101-35 (See Section 3.6)	
2	22-62063-00	Harness, A/C Control - Includes:	1
3	22-62026-00	Connector, 6 Position, Red (MCP)	1
4	22-50145-00	Connector, 4 Position(J2)	1
5	22-50152-00	Terminal, Female Receptacle (16-26 AWG)	8
6	34-00655-06	Bolt, Hex Head, 1/4-20 x 3/4 Inch Long, SST	16
7	34-00662-11	Washer, Plain, 1/4, SST	8
8	34-00663-11	Washer, Split Lock, 1/4, SST	16
9	68RM55-210-12	Cable Assembly, Battery, Red, #2 AWG x 50.00 Inches Long	1
10	68RM55-209-14	Cable Assembly, Battery, Black, #2 AWG x 50.00 Inches Long	1
11	58-00848-00	Tubing, Split, 1/2 Inch ID x 25.00 Feet Long, Corrugated, Black	1
12	58-00858-00	Tubing, Split, 1/4 Inch ID x 25.00 Feet Long, Corrugated, Black	1
13	12-00495-02SV	Thermistor, Ambient (Replacement For 12-00305-04)	1



2.8 Electrical Components - 68RM50-101-20, -30, -35 (Continued)



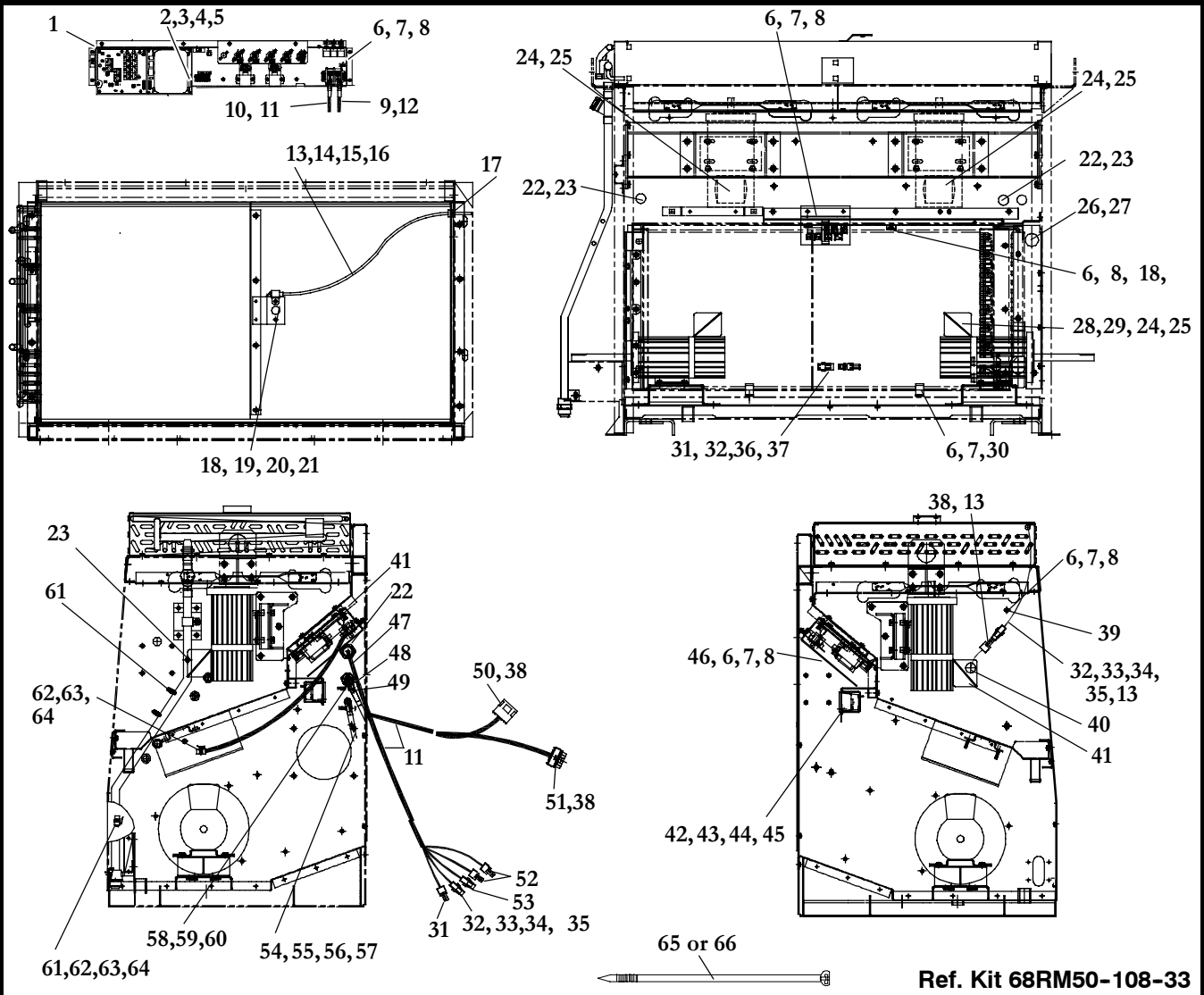
Item	Part Number	Description	Qty
14	22-02394-00	Seal, Cable	2
15	22-02393-01	Terminal, Male (18-20 AWG)	2
16	AC801-319	Grommet, 3/8 Inch ID, 17/32 Inch Hole, 1/8 Inch Groove	1
17	34-00373-03	Clamp, Tube, 3/8 OD, With Neoprene Cushion, SST	2
18	34-00662-08	Washer, Plain, #8, SST	1
19	34-06264-04	Screw, Hex Head, Slotted, #8-32 x 1/2 Inch Long, SST	1
20	34-00663-08	Washer, Split Lock, #8, SST	1
21	22-02302-03	Connector, Straight, Conduit, Watertight, 3/4 Inch	3
22	22-02301-03	Tubing, Flexible, Spiral, Closed 3/4 Inch x 100 Feet Roll	1
23	58-00065-88	Grommet, 1-3/8 Inch I D x 1-5/8 Inch Hole x 5/32 Inch Groove	1
24	58-00850-00	Tubing, 0.92 Inch ID x 75.00 Feet Long, Black	1
25	34-00373-13	Clamp, Tube, 1 Inch OD, With Neoprene Cushion, SST	2
26	22-01585-00SK	Connector, Male, 2 Pin, Black	3



2.8 Electrical Components - 68RM50-101-20, -30, -35 (Continued)			
Item	Part Number	Description	Qty
27	22-02392-00SV	Connector Kit, 2 Pin - Includes:	3
28	NSS	Connector, 2 Pin, Black	1
29	22-02393-01	Terminal, Male (18-20 AWG)	2
30	22-02394-01	Seal, Cable	2
31	22-02393-00	Terminal, Male (14-16 AWG)	2
32	22-02394-00	Seal, Cable	2
33	44-00102-51	Clamp, Tube, 1/2 Inch OD, With Neoprene Cushion, SST	1
34	62-62041-17	Label, DRI	1
35	58-00065-85	Grommet, 7/8 Inch ID, 1-1/8 Inch Hole, 3/32 Inch Groove	1
36	34-50048-00	Screw, Pan Head, Phillips, #6-32 x 1/2 Inch Long, SST	2
37	34-00662-07	Washer, Plain, #6, SST	2
38	22-01584-00	Resistor, 420 Watts, With Mounting Bracket	1
39	22-00872-01	Terminal ,Ring, #10	2
40	12-00391-03	Module, Drivers Control	1
41	68-62125-00	Clamp, Retaining, Control Module, Painted	1
42	68-62402-00	Bracket, Control Module, Painted	1
43	34-00667-07	Nut, Hex, Self-Locking, #6-32, SST	1
44	62-62041-22	Label, ESR	1
45	68-62320-00	Cover, Relay Board, Painted	1
46	22-02302-02	Connector, Straight, Conduit, Watertight, 1/2 Inch	1
47	58-62124-00	Tubing, Flexible, Spiral, Closed 1/2 Inch x 100 Feet Roll, Black	1
48	22-02392-02	Connector, Female, 6 Pin	1
49	22-01565-01	Plug, Terminal Cavity	5
50	22-01585-03	Connector, Male, 6 Pin	1
51	22-01585-02	Connector, Male, 2 Pin, Medium Gray	2
52	22-02392-01	Connector, Female, 2 Pin, Medium Gray	1
53	62-62041-04	Label, POS +	1
54	34-06095-01	Stud, Battery Connection, 3/8-16 x 2.25 Inches Long	1
55	AT13QA241	Nut, Hex, 3/8-16, Brass	4
56	34-00938-13	Washer, Lock, Internal Tooth, 3/8, Brass	4
57	22-62017-00	Cable Assembly, Battery, Black, #2 AWG x 96.00 Inches Long	1
58	62-62041-05	Label, NEG -	1
59	10-00315-00	Stud, Battery Connection, 3/8-16 x 2.07 Inches Long, Brass	1
60	22-62018-00	Cable Assembly, Battery, Red, #2 AWG x 102.00 Inches Long (-20 Only)	1
	22-62018-01	Cable Assembly, Battery, Red, #2 AWG x 118.00 Inches Long (-30,-35 Only)	
61	34-62001-00	Washer, Nylon, Red	1
62	12-00352-00	Transducer, Pressure, Suction/Discharge	2
63	22-02448-00SV	Connector Package, Female - Includes:	2
64	NSS	Connector, Female, Black, 3 Pin	1
65	22-50100-00	Terminal, Female (16-18 AWG)	3
66	66U1-3882	Wire Tie, Self-Locking, 7.00 Inches, Black	5
67	AC701-301	Wire Tie, Self-Locking, 15.00 Inches, White	5
68	58-01368-00	Tubing, Spiral, Corrugated, 1/2 Inch, Closed, Red, 25 Feet Long	1



2.9 Electrical Components - 68RM50-100-16, 101-21



Ref. Kit 68RM50-108-33

Item	Part Number	Description	Qty
1	68RM50-125-32	Electrical Control Panel Assembly (350 PSIG) (See Section 3.5)	1
2	22-62063-00	Harness, A/C Control - Includes:	1
3	22-62026-00	Connector, 6 Position, Red (MCP)	1
4	22-50145-00	Connector, 4 Position(J2)	1
5	22-50152-00	Terminal, Female Receptacle (16-26 AWG)	8
6	34-00655-06	Bolt, Hex Head, 1/4-20 x 3/4 Inch Long, SST	16
7	34-00662-11	Washer, Plain, 1/4, SST	13
8	34-00663-11	Washer, Split Lock, 1/4, SST	16
9	68RM55-210-12	Cable Assembly, Battery, Red, #2 AWG x 50.00 Inches Long	1
10	68RM55-209-14	Cable Assembly, Battery, Black, #2 AWG x 50.00 Inches Long	1
11	58-00848-00	Tubing, Split, 1/2 Inch ID x 25.00 Feet Long, Corrugated, Black	1
12	58-01368-00	Tubing, Spiral, Corrugated, 1/2 Inch, Closed, Red, 25 Feet Long	1
13	58-00858-00	Tubing, Split, 1/4 Inch ID x 25.00 Feet Long, Corrugated, Black	1
14	12-00495-02SV	Thermistor, Ambient (Replacement For 12-00305-04)	1
15	22-02394-00	Seal, Cable	2



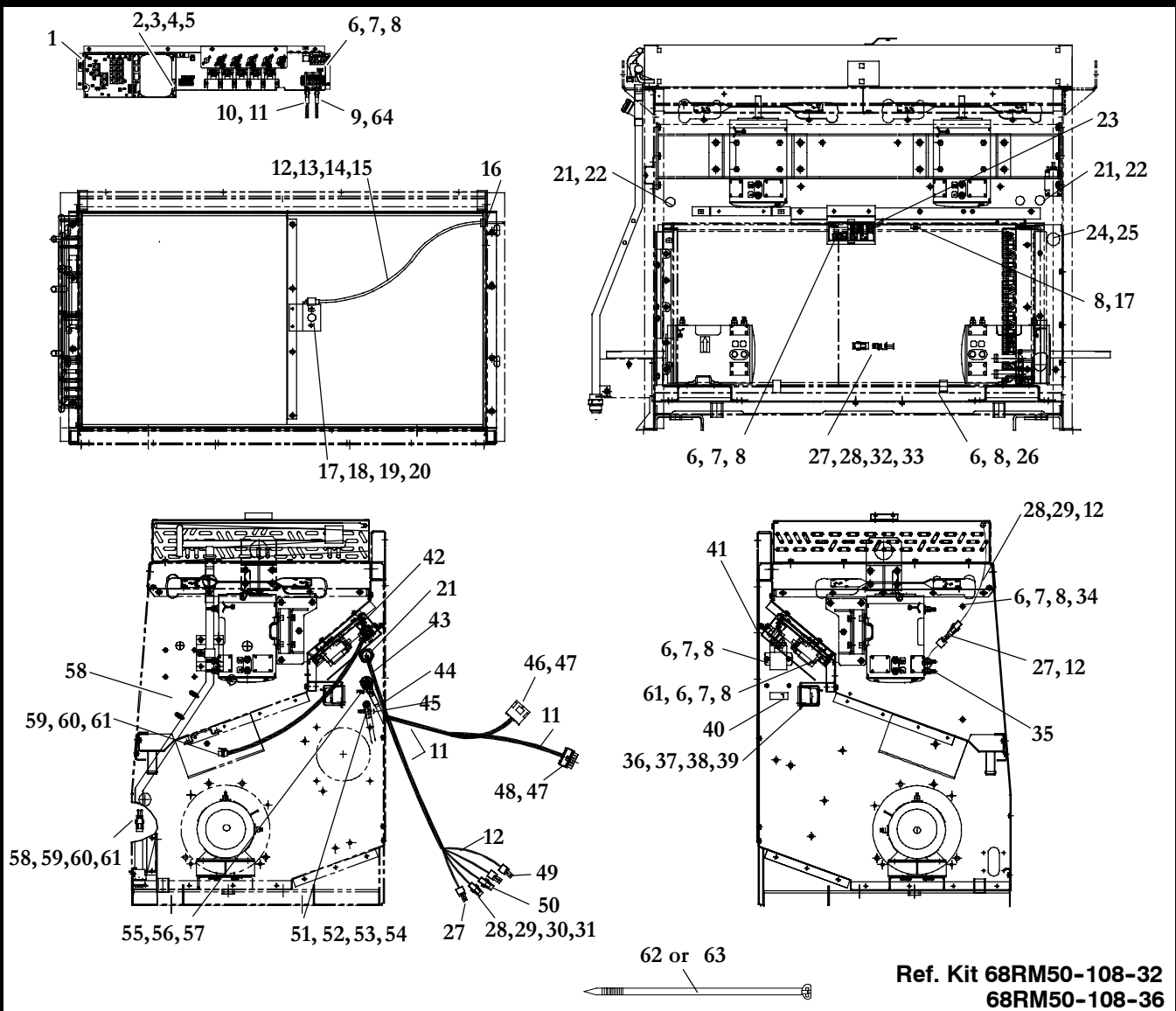
2.9 Electrical Components - 68RM50-100-16, 101-21 (Continued)			
Item	Part Number	Description	Qty
16	22-02393-01	Terminal, Male (18-20 AWG)	2
17	AC801-319	Grommet, 3/8 Inch ID, 17/32 Inch Hole, 1/8 Inch Groove	1
18	34-00373-03	Clamp, Tube, 3/8 OD, With Neoprene Cushion, SST	2
19	34-00662-08	Washer, Plain, #8, SST	1
20	34-06264-04	Screw, Hex Head, Slotted, #8-32 x 1/2 Inch Long, SST	1
21	34-00663-08	Washer, Split Lock, #8, SST	1
22	22-02302-03	Connector, Straight, Conduit, Watertight, 3/4 Inch	3
23	22-02301-03	Tubing, Flexible, Spiral, Closed 3/4 Inch x 100 Feet Roll	1
24	22-02126-02	Cap, Insulated, Electrical, #12 to #14 AWG	8
25	22-02126-03	Cap, Insulated, Electrical, #14 to #16 AWG	8
26	58-00065-88	Grommet, 1-3/8 Inch I D x 1-5/8 Inch Hole x 5/32 Inch Groove	1
27	58-00850-00	Tubing, 0.92 Inch ID x 75.00 Feet Long, Black	1
28	AC701-237	Connector, Romex To Box, 3/8 Inch	2
29	AC301-204	Hose, Valve-Kazoo, 1 Inch	1
30	34-00373-13	Clamp, Tube, 1 Inch OD, With Neoprene Cushion, SST	2
31	22-01585-00SK	Connector, Male, 2 Pin, Black	3
32	22-02392-00SV	Connector Kit, 2 Pin - Includes:	3
33	NSS	Connector, 2 Pin, Black	1
34	22-02393-01	Terminal, Male (18-20 AWG)	2
35	22-02394-01	Seal, Cable	2
36	22-02393-00	Terminal, Male (14-16 AWG)	2
37	22-02394-00	Seal, Cable	2
38	22-01565-01	Plug, Terminal Cavity	5
39	44-00102-51	Clamp, Tube, 1/2 Inch OD, With Neoprene Cushion, SST	1
40	58-00065-85	Grommet, 7/8 Inch ID, 1-1/8 Inch Hole, 3/32 Inch Groove	1
41	22-02302-02	Connector, Straight, Conduit, Watertight, 1/2 Inch	3
42	12-00391-03	Module, Drivers Control	1
43	68-62125-00	Clamp, Retaining, Control Module, Painted	1
44	68-62402-00	Bracket, Control Module, Painted	1
45	34-00667-07	Nut, Hex, Self-Locking, #6-32, SST	1
46	68-62320-00	Cover, Relay Board, Painted	1
47	58-62124-00	Tubing, Flexible, Spiral, Closed 1/2 Inch x 100 Feet Roll, Black	1
48	62-62041-04	Label, POS +	1
49	62-62041-05	Label, NEG -	1
50	22-02392-02	Connector, Female, 6 Pin	1
51	22-01585-03	Connector, Male, 6 Pin	1
52	22-01585-02	Connector, Male, 2 Pin, Medium Gray	2
53	22-02392-01	Connector, Female, 2 Pin, Medium Gray	1
54	34-06095-01	Stud, Battery Connection, 3/8-16 x 2.25 Inches Long	1
55	AT13QA241	Nut, Hex, 3/8-16, Brass	4
56	34-00938-13	Washer, Lock, Internal Tooth, 3/8, Brass	4
57	22-62017-00	Cable Assembly, Battery, Black, #2 AWG x 96.00 Inches Long	1
58	10-00315-00	Stud, Battery Connection, 3/8-16 x 2.07 Inches Long, Brass	1
59	22-62018-00	Cable Assembly, Battery, Red, #2 AWG x 102.00 Inches Long	1
60	34-62001-00	Washer, Nylon, Red	1



2.9 Electrical Components - 68RM50-100-16, 101-21 (Continued)			
61	12-00352-00	Transducer, Pressure, Suction/Discharge	2
62	22-02448-00SV	Connector Package, Female - Includes:	2
63	NSS	Connector, Female, Black, 3 Pin	1
64	22-50100-00	Terminal, Female (16-18 AWG)	3
65	66U1-3882	Wire Tie, Self-Locking, 7.00 Inches, Black	5
66	AC701-301	Wire Tie, Self-Locking, 15.00 Inches, White	5



2.10 Electrical Components - 68RM50-100-17, 100-18, 101-22



**Ref. Kit 68RM50-108-32
68RM50-108-36**

Item	Part Number	Description	Qty
1	68RM50-125-31	Electrical Control Panel Assembly (See Section 3.7)	1
2	22-62063-00	Harness, A/C Control - Includes:	1
3	22-62026-00	Connector, 6 Position, Red (MCP)	1
4	22-50145-00	Connector, 4 Position(J2)	1
5	22-50152-00	Terminal, Female Receptacle (16-26 AWG)	8
6	34-00655-06	Bolt, Hex Head, 1/4-20 x 3/4 Inch Long, SST	16
7	34-00662-11	Washer, Plain, 1/4, SST	8
8	34-00663-11	Washer, Split Lock, 1/4, SST	16
9	68RM55-210-12	Cable Assembly, Battery, Red, #2 AWG x 50.00 Inches Long	1
10	68RM55-209-14	Cable Assembly, Battery, Black, #2 AWG x 50.00 Inches Long	1
11	58-00848-00	Tubing, Split, 1/2 Inch ID x 25.00 Feet Long, Corrugated, Black	1
12	58-00858-00	Tubing, Split, 1/4 Inch ID x 25.00 Feet Long, Corrugated, Black	1
13	12-00495-02SV	Thermistor, Ambient (Replacement For 12-00305-04)	1
14	22-02394-00	Seal, Cable	2



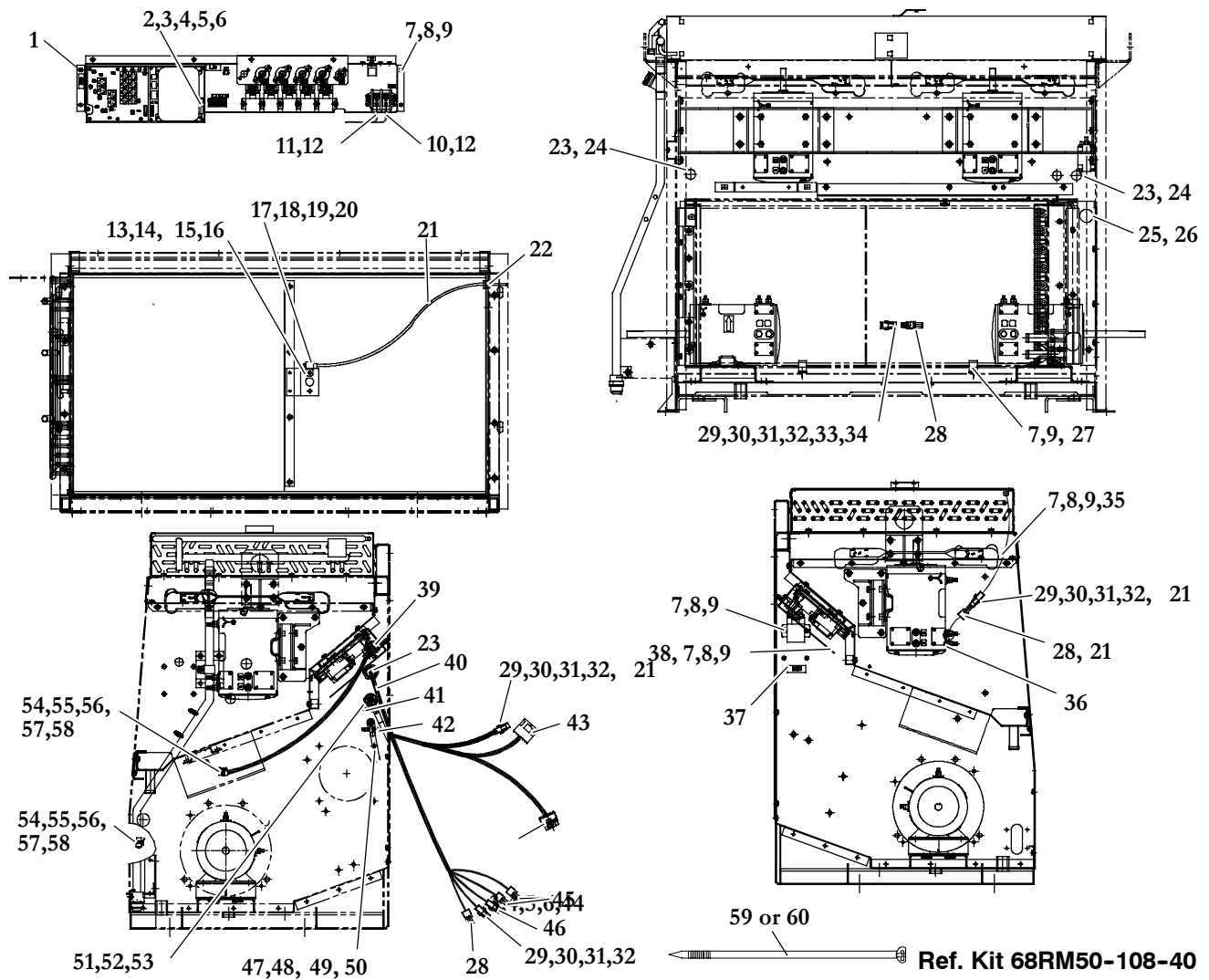
2.10 Electrical Components - 68RM50-100-17, 101-18, 101-22 (Continued)			
Item	Part Number	Description	Qty
15	22-02393-01	Terminal, Male (18-20 AWG)	2
16	AC801-319	Grommet, 3/8 Inch ID, 17/32 Inch Hole, 1/8 Inch Groove	1
17	34-00373-03	Clamp, Tube, 3/8 OD, With Neoprene Cushion, SST	2
18	34-00662-08	Washer, Plain, #8, SST	1
19	34-06264-04	Screw, Hex Head, Slotted, #8-32 x 1/2 Inch Long, SST	1
20	34-00663-08	Washer, Split Lock, #8, SST	1
21	22-02302-03	Connector, Straight, Conduit, Watertight, 3/4 Inch	3
22	22-02301-03	Tubing, Flexible, Spiral, Closed 3/4 Inch x 100 Feet Roll	1
23	68-62320-00	Cover, Relay Board, Painted	1
24	58-00065-88	Grommet, 1-3/8 Inch I D x 1-5/8 Inch Hole x 5/32 Inch Groove	1
25	58-00850-00	Tubing, 0.92 Inch ID x 75.00 Feet Long, Black	1
26	34-00373-13	Clamp, Tube, 1 Inch OD, With Neoprene Cushion, SST	2
27	22-01585-00SK	Connector, Male, 2 Pin, Black	3
28	22-02392-00SV	Connector Kit, 2 Pin - Includes:	3
29	NSS	Connector, 2 Pin, Black	1
30	22-02393-01	Terminal, Male (18-20 AWG)	2
31	22-02394-01	Seal, Cable	2
32	22-02393-00	Terminal, Male (14-16 AWG)	2
33	22-02394-00	Seal, Cable	2
34	44-00102-51	Clamp, Tube, 1/2 Inch OD, With Neoprene Cushion, SST	1
35	58-00065-85	Grommet, 7/8 Inch ID, 1-1/8 Inch Hole, 3/32 Inch Groove	1
36	12-00391-03	Module, Drivers Control	1
37	68-62125-00	Clamp, Retaining, Control Module, Painted	1
38	68-62402-00	Bracket, Control Module, Painted	1
39	34-00667-07	Nut, Hex, Self-Locking, #6-32, SST	1
40	62-62041-22	Label, ESR	1
41	68-63318-00	Cover, Electrical Panel	1
42	22-02302-02	Connector, Straight, Conduit, Watertight, 1/2 Inch	1
43	58-62124-00	Tubing, Flexible, Spiral, Closed 1/2 Inch x 100 Feet Roll, Black	1
44	62-62041-04	Label, POS +	1
45	62-62041-05	Label, NEG -	1
46	22-02392-02	Connector, Female, 6 Pin	1
47	22-01565-01	Plug, Terminal Cavity	5
48	22-01585-03	Connector, Male, 6 Pin	1
49	22-01585-02	Connector, Male, 2 Pin, Medium Gray	2
50	22-02392-01	Connector, Female, 2 Pin, Medium Gray	1
51	34-06095-01	Stud, Battery Connection, 3/8-16 x 2.25 Inches Long	1
52	34-00938-13	Washer, Lock, Internal Tooth, 3/8, Brass	4
53	AT13QA241	Nut, Hex, 3/8-16, Brass	4
54	22-62017-00	Cable Assembly, Battery, Black, #2 AWG x 96.00 Inches Long	1
55	10-00315-00	Stud, Battery Connection, 3/8-16 x 2.07 Inches Long, Brass	1
56	22-62018-00	Cable Assembly, Battery, Red, #2 AWG x 102 Inches Long (-22 Only)	1
	22-62018-01	Cable Assembly, Battery, Red, #2 AWG x 118 Inches Long (-17, -18 Only)	
57	34-62001-00	Washer, Nylon, Red	1
58	12-00352-00	Transducer, Pressure, Suction/Discharge	2



2.10 Electrical Components - 68RM50-100-17, 101-18, 101-22 (Continued)			
Item	Part Number	Description	Qty
59	22-02448-00SV	Connector Package, Female - Includes:	2
60	NSS	Connector, Female, Black, 3 Pin	1
61	22-50100-00	Terminal, Female	6
62	66U1-3882	Wire Tie, Self-Locking, 7.00 Inches, Black	5
63	AC701-301	Wire Tie, Self-Locking, 15.00 Inches, White	5
64	58-01368-00	Tubing, Spiral, Corrugated, 1/2 Inch, Closed, Red, 25 Feet Long	1



2.11 Electrical Components - 68RM50-101-31



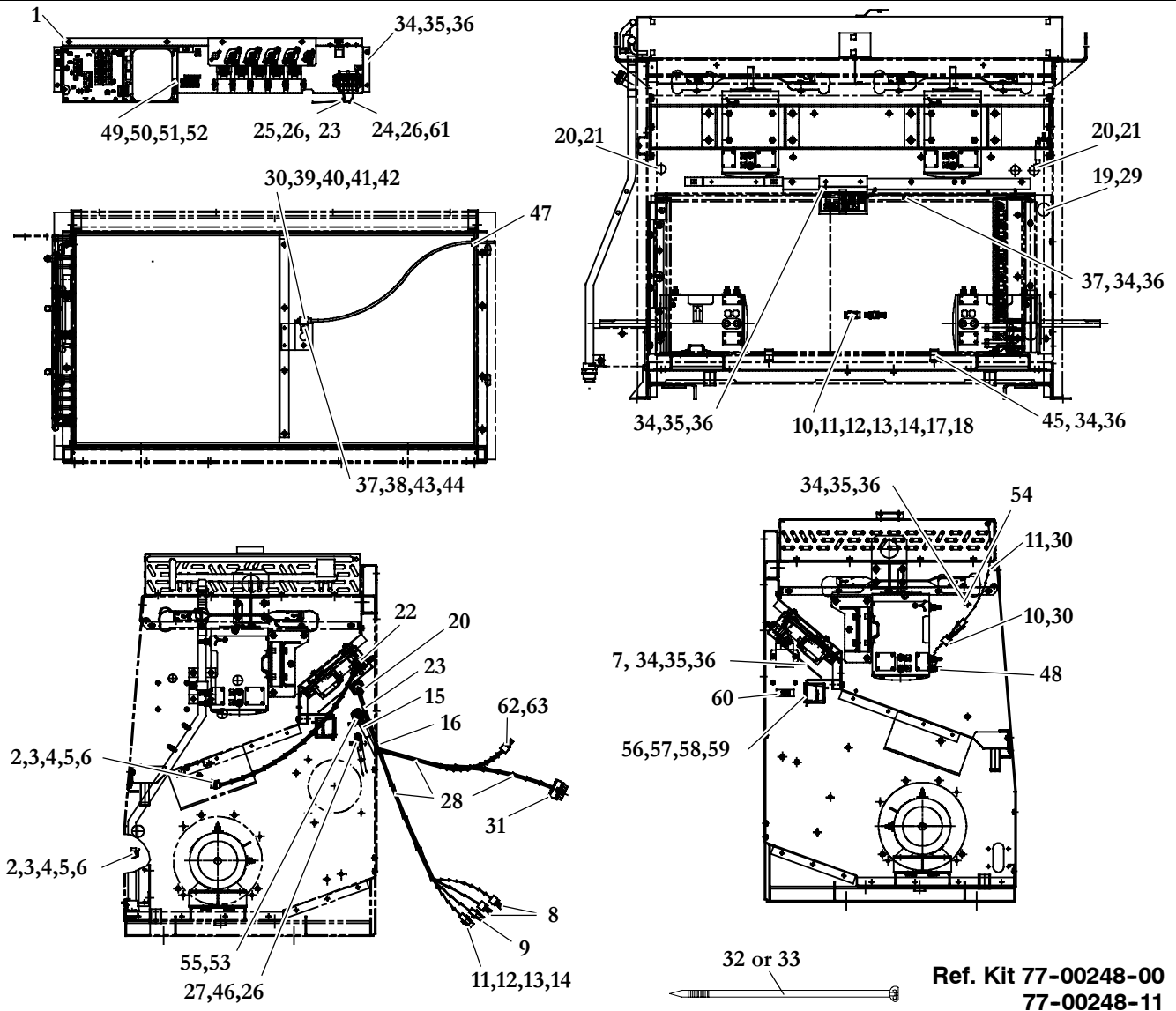
Item	Part Number	Description	Qty
1	68RM50-125-33	Electrical Control Panel Assembly (See Section 3.2)	1
2	22-62089-00	Harness, Remote (NFI) - Includes:	1
3	22-50145-00	Connector, Plug, 4 Pin	1
4	22-50152-00	Terminal, Female Receptacle (16-26 AWG)	4
5	22-50285-00	Seal, Cable, Green	4
6	22-01566-01	Terminal, Female (18-20 AWG)	4
7	34-00655-06	Bolt, Hex Head, 1/4-20 x 3/4 Inch Long, SST	17
8	34-00662-11	Washer, Plain, 1/4, SST	14
9	34-00663-11	Washer, Split Lock, 1/4, SST	17
10	68RM55-210-12	Cable Assembly, Battery, Red, #2 AWG x 50.00 Inches Long	1
11	68RM55-209-14	Cable Assembly, Battery, Black, #2 AWG x 50.00 Inches Long	1
12	58-00848-00	Tubing, Split, Corrugated, 1/2 Inch ID x 25 Feet Long	1
13	34-00373-03	Clamp, Tube, 3/8 OD, With Neoprene Cushion, SST	1
14	34-00662-08	Washer, Plain, #8, SST	1
15	34-06264-04	Screw, Hex Head, Slotted, #8-32 x 1/2 Inch Long, SST	1



2.11 Electrical Components - 68RM50-101-31 (Continued)			
Item	Part Number	Description	Qty
16	34-00663-08	Washer, Split Lock, #8, SST	1
17	68RM35-267	Thermistor Assembly - Includes:	1
18	12-00495-02SV	Thermistor Kit, Ambient (Replacement For 12-00305-04)	1
19	22-02394-00	Seal, Cable, Gray	2
20	22-02393-01	Terminal, Male (18-20 AWG)	2
21	58-00858-00	Tubing, Split, Corrugated, 1/4 Inch ID x 25 Feet Long	2
22	AC801-319	Grommet, 3/8 Inch ID, 17/32 Inch Hole, 1/8 Inch Groove	1
23	22-02302-03	Connector, Straight, Conduit, Watertight, 3/4 Inch	3
24	22-02301-03	Tubing, Flexible, Spiral, Closed 3/4 Inch x 100 Feet Roll	1
25	58-00065-88	Grommet, 1-3/8 Inch ID x 1-5/8 Inch Hole x 5/32 Inch Groove	1
26	58-00850-00	Tubing, 0.92 Inch ID x 75.00 Feet Long, Black	1
27	34-00373-13	Clamp, Tube, 1 Inch OD, With Neoprene Cushion, SST	2
28	22-01585-00SK	Connector, Male, 2 Pin, Black	3
29	22-02392-00SV	Connector Kit, 2 Pin - Includes:	3
30	NSS	Connector, 2 Pin, Black	1
31	22-02393-01	Terminal, Male (18-20 AWG)	2
32	22-02394-01	Seal, Cable, Blue	2
33	22-02393-00	Terminal, Male (14-16 AWG)	2
34	22-02394-00	Seal, Cable, Gray	2
35	44-00102-51	Clamp, Tube, 1/2 Inch OD, With Neoprene Cushion, SST	1
36	58-00065-85	Grommet, 7/8 Inch ID, 1-1/8 Inch Hole, 3/32 Inch Groove	1
37	62-62041-22	Label, ESR	1
38	68-62320-00	Cover, Relay Board, Painted	1
39	22-02302-02	Connector, Straight, Conduit, Watertight, 1/2 Inch	1
40	58-62124-00	Tubing, Flexible, Spiral, Closed 1/2 Inch x 100 Feet Roll, Black	1
41	62-62041-04	Label, Pos +	1
42	62-62041-05	Label, Neg -	1
43	22-02392-02	Connector, Female, 6 Pin	1
44	22-01585-04	Connector, Male, 4 Pin	1
45	22-01585-02	Connector, Male, 2 Pin, Medium Gray	2
46	22-02392-01	Connector, Female, 2 Pin, Medium Gray	1
47	34-06095-01	Stud, Battery Connection, 3/8-16 x 2.25 Inches Long	1
48	AT13QA241	Nut, Hex, 3/8-16, Brass	4
49	34-00938-13	Washer, Lock, Internal Tooth, 3/8, Brass	4
50	22-62017-00	Cable Assembly, Battery, Black, #2 AWG x 96.00 Inches Long	1
51	10-00315-00	Stud, Battery Connection, 3/8-16 x 2.07 Inches Long, Brass	1
52	22-62018-01	Cable Assembly, Battery, Red, #2 AWG x 118.00 Inches Long	1
53	34-62001-00	Washer, Nylon, Red	1
54	12-00352-00	Transducer, Pressure, Suction/Discharge	2
55	22-02448-00SV	Connector Package, Female - Includes:	2
56	NSS	Connector, Female, Black, 3 Pin	1
57	22-50100-00	Terminal, Female (16-18 AWG)	3
58	22-50100-00	Terminal, Female (Covered By Item 57)	6
59	66U1-3882	Wire Tie, Self-Locking, 7.00 Inches, Black	5
60	AC701-301	Wire Tie, Self-Locking, 15.00 Inches, White	5



2.12 Electrical Components - 68RM50-101-38, -53, -59



Item	Part Number	Description	Qty
1	91-01168-08	Electrical Control Panel Assembly (See Section 3.9)	1
2	12-00352-00	Transducer, Pressure, Suction/Discharge	2
3	22-02448-00SV	Connector Package, Female - Includes:	2
4	NSS	Connector, Female, Black, 3 Pin	1
5	22-50100-00	Terminal, Female (16-18 AWG)	3
6	22-50100-00	Terminal, Female (Covered By Item 5)	6
7	68-62320-00	Cover, Relay Board, Painted	1
8	22-01585-02	Connector, Male, 2 Pin, Medium Gray	2
9	22-02392-01	Connector, Female, 2 Pin, Medium Gray	1
10	22-01585-00SK	Connector, Male, 2 Pin, Black	3
11	22-02392-00SV	Connector Kit, 2 Pin - Includes:	3
12	NSS	Connector, 2 Pin, Black	1
13	22-02393-01	Terminal, Male (18-20 AWG)	2
14	22-02394-01	Seal, Cable, Blue	2



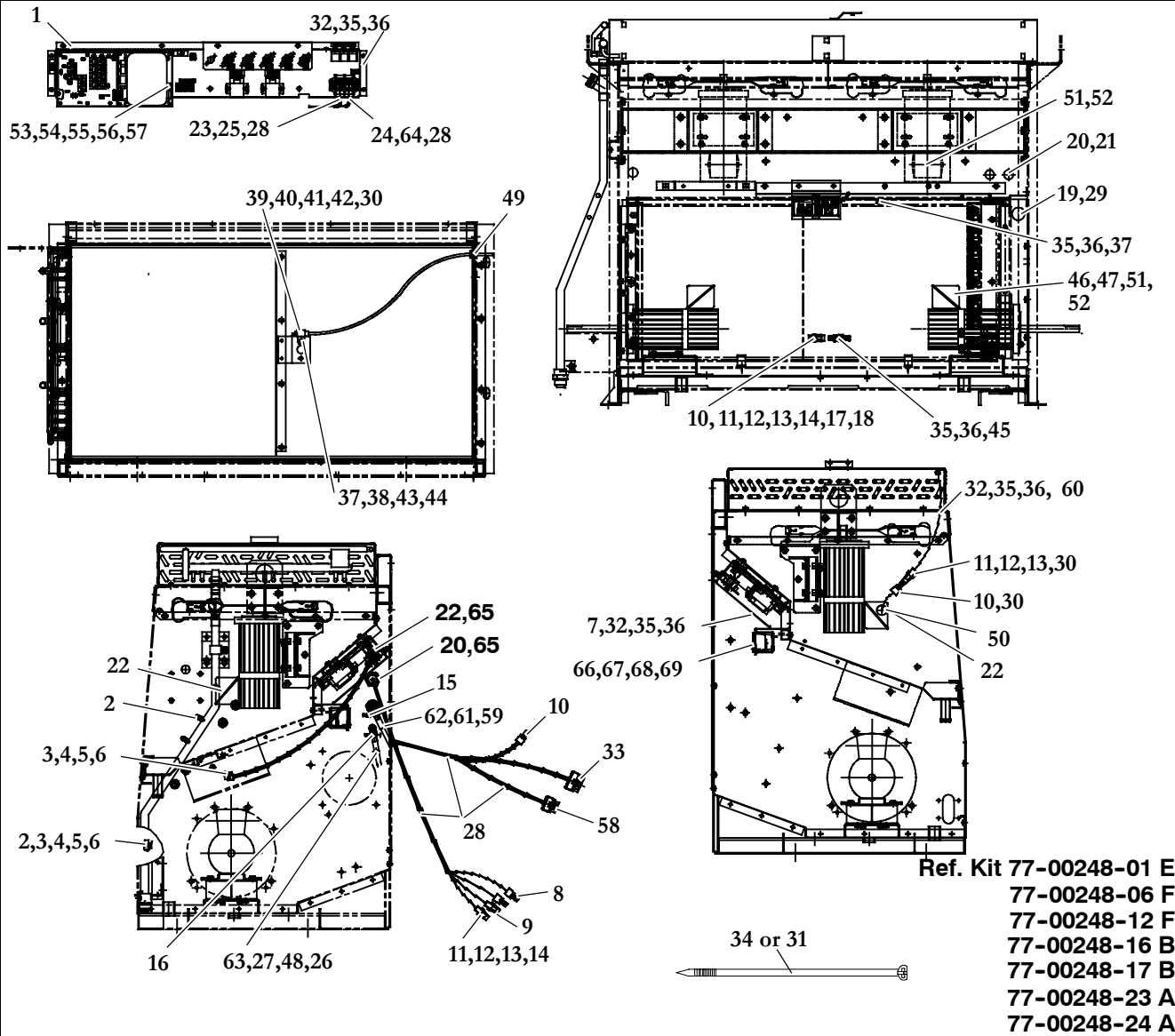
2.12 Electrical Components - 68RM50-101-38, -53, -59 (Continued)			
Item	Part Number	Description	Qty
15	62-62041-04	Label, Pos +	1
16	62-62041-05	Label, Neg -	1
17	22-02393-00	Terminal, Male (14-16 AWG)	2
18	22-02394-00	Seal, Cable, Gray	2
19	58-00065-88	Grommet, 1-3/8 Inch ID x 1-5/8 Inch Hole x 5/32 Inch Groove	1
20	22-02302-03	Connector, Straight, Conduit, Watertight, 3/4 Inch	3
21	22-02301-03	Tubing, Flexible, Spiral, Closed 0.75 Inch x 100 Feet Roll	1
22	22-02302-02	Connector, Straight, Conduit, Watertight, 1/2 Inch	1
23	58-62124-00	Tubing, Flexible, Spiral, Closed 1/2 Inch x 100 Feet Roll, Black	1
24	68RM55-210-12	Cable Assembly, Battery, Red, #2 AWG x 50.00 Inches Long	1
25	68RM55-209-14	Cable Assembly, Battery, Black, #2 AWG x 50.00 Inches Long	1
26	34-06095-01	Stud, Battery Connection, 3/8-16 x 2.25 Inches Long	1
27	AT13QA241	Nut, Hex, 3/8-16, Brass	4
28	58-00848-00	Tubing, Split, Corrugated, 1/2 Inch ID x 25 Feet Long	1
29	58-00850-00	Tubing, 0.92 Inch ID x 75.00 Feet Long, Black	1
30	58-00858-00	Tubing, Split, Corrugated, 1/4 Inch ID x 25 Feet Long	1
31	22-01585-03	Connector, Male, 6 Pin	1
32	66U1-3882	Wire Tie, Self-Locking, 7.00 Inches, Black	5
33	AC701-301	Wire Tie, Self-Locking, 15.00 Inches, White	5
34	34-00655-06	Bolt, Hex Head, 1/4-20 x 3/4 Inch Long, SST	19
35	34-00662-11	Washer, Plain, 1/4, SST	16
36	34-00663-11	Washer, Split Lock, 1/4, SST	19
37	34-00373-03	Clamp, Tube, 3/8 OD, With Neoprene Cushion, SST	2
38	34-00662-08	Washer, Plain, #8, SST	1
39	68RM35-267	Thermistor Assembly - Includes:	1
40	12-00495-02SV	Thermistor Kit, Ambient (Replacement For 12-00305-04)	1
41	22-02394-00	Seal, Cable, Gray	2
42	22-02393-01	Terminal, Male (18-20 AWG)	2
43	34-06264-04	Screw, Hex Head, Slotted, #8-32 x 1/2 Inch Long, SST	1
44	34-00663-08	Washer, Split Lock, #8, SST	1
45	34-00373-13	Clamp, Tube, 1 Inch OD, With Neoprene Cushion, SST	2
46	34-00938-13	Washer, Lock, Internal Tooth, 3/8, Brass	4
47	AC801-319	Grommet, 3/8 Inch Id, 17/32 Inch Hole, 1/8 Inch Groove	1
48	58-00065-85	Grommet, 7/8 Inch Id, 1-1/8 Inch Hole, 3/32 Inch Groove	1
49	22-62063-00	Harness, A/C Control, 17.00 Inches Long - Includes:	1
50	22-62026-00	Connector, Plug, 6 Position	1
51	22-50145-00	Connector, Plug, 4 Position	1
52	22-50152-00	Terminal, Female Receptacle (16-26 AWG)	10
53	10-00315-00	Stud, Battery Connection, 3/8-16 X 2.07 Inches Long, Brass	1
54	44-00102-51	Clamp, Tube, 1/2 Inch OD, With Neoprene Cushion, SST	1
55	34-62001-00	Washer, Nylon, Red	1
56	12-00391-03	Module, Drivers Control	1
57	68-62125-00	Clamp, Retaining, Control Module, Painted	1
58	68-62402-00	Bracket, Control Module, Painted	1
59	34-00667-07	Nut, Hex, Self-Locking, #6-32, SST	1



2.12 Electrical Components - 68RM50-101-38, -53, -59 (Continued)			
Item	Part Number	Description	Qty
60	62-62041-22	Label, ESR	1
61	58-01368-00	Tubing, Spiral, Corrugated, 1/2 Inch Closed Red (25 Feet Roll)	1
62	22-02392-02	Connector, Female, 6 Pin	1
63	22-01565-01	Plug, Terminal Cavity	4



2.13 Electrical Components - 68RM50-101-36, -39, -43, -46, -48, -60, -68, -69



- Ref. Kit 77-00248-01 E
- 77-00248-06 F
- 77-00248-12 F
- 77-00248-16 B
- 77-00248-17 B
- 77-00248-23 A
- 77-00248-24 A

Item	Part Number	Description	Qty
1	91-01168-01	Electrical Control Panel Assembly, Models 68RM50-101-39, -43, -46, -48 (See Section 3.10)	1
	68RM50-125-34	Electrical Control Panel Assembly, Models 68RM50-101-36, -60 Only (See Section 3.8)	
	91-01168-14	Electrical Control Panel Assembly, Model 68RM50-101-68 Only (See Section 3.10)	
	91-01168-12	Electrical Control Panel Assembly, Model 68RM50-101-69 Only (See Section 3.10)	
2	12-00352-00	Transducer, Pressure, Suction/Discharge	2
3	22-02448-00SV	Connector Package, Female - Includes:	2
4	NSS	Connector, Female, Black, 3 Pin	1
5	22-50100-00	Terminal, Female (16-18 AWG)	3
6	22-50100-00	Terminal, Female (Covered By Item 5)	6
7	68-62320-00	Cover, Relay Board, Painted	1



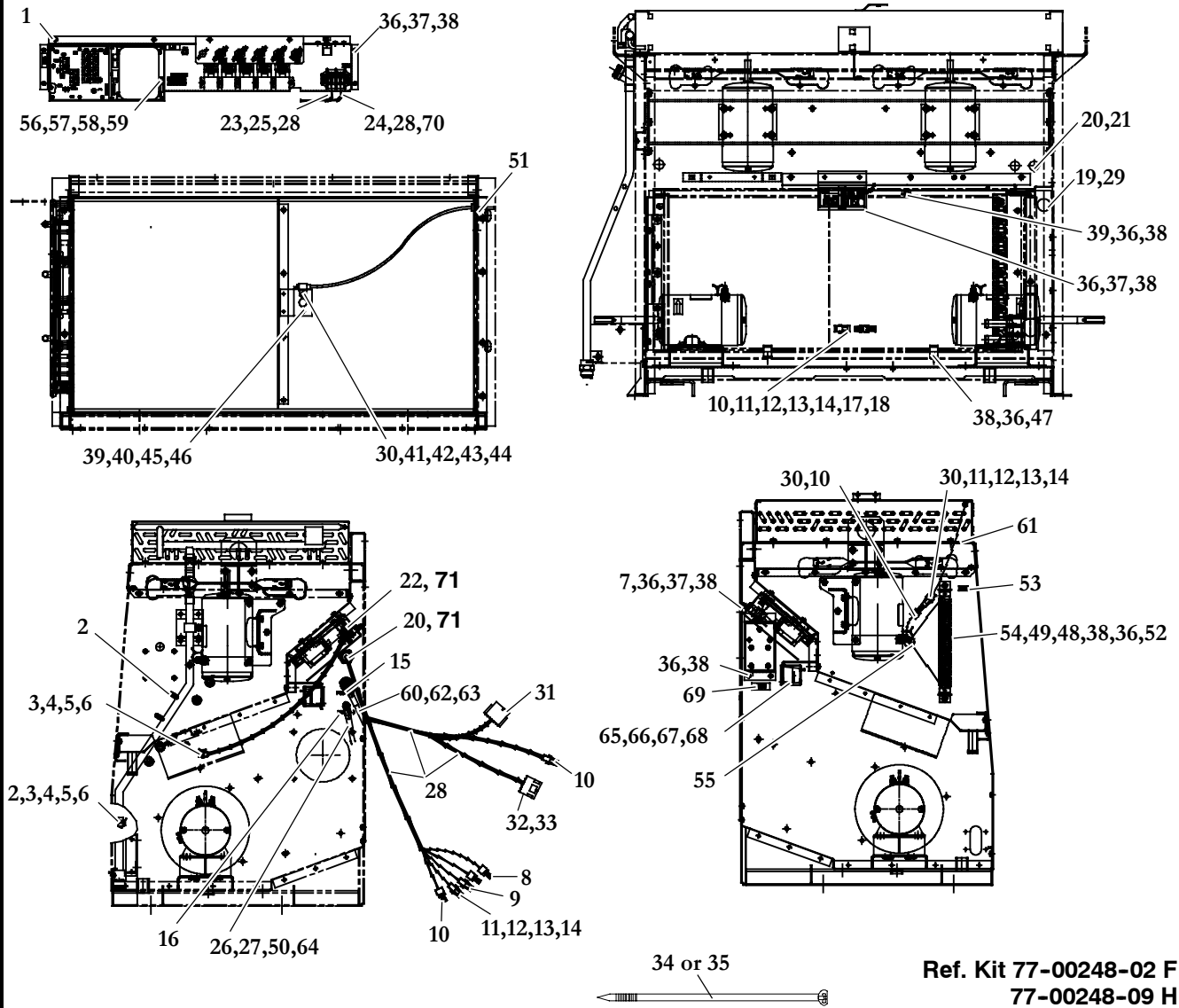
2.13 Electrical Components - 68RM50-101-36, -39, -43, -46, -48, -60, -68, -69 (Continued)			
Item	Part Number	Description	Qty
8	22-01585-02	Connector, Male, 2 Pin, Medium Gray	2
9	22-02392-01	Connector, Female, 2 Pin, Medium Gray	1
10	22-01585-00SK	Connector, Male, 2 Pin, Black	A/R
11	22-02392-00SV	Connector Kit, 2 Pin - Includes:	3
12	NSS	Connector, 2 Pin, Black	1
13	22-02393-01	Terminal, Male (18-20 AWG)	2
14	22-02394-01	Seal, Cable, Blue	2
15	62-62041-04	Label, Pos +	1
16	62-62041-05	Label, Neg -	1
17	22-02393-00	Terminal, Male (14-16 AWG)	2
18	22-02394-00	Seal, Cable, Gray	2
19	58-00065-88	Grommet, 1-3/8 Inch ID x 1-5/8 Inch Hole x 5/32 Inch Groove	1
20	22-02302-03	Connector, Straight, Conduit, Watertight, 3/4 Inch	3
21	22-02301-03	Tubing, Flexible, Spiral, Closed 0.75 Inch x 100 Feet Roll	1
22	22-02302-02	Connector, Straight, Conduit, Watertight, 1/2 Inch	3
23	58-62124-00	Tubing, Flexible, Spiral, Closed 1/2 Inch x 100 Feet Roll, Black	1
24	68RM55-210-12	Cable Assembly, Battery, Red, #2 AWG x 50.00 Inches Long	1
25	68RM55-209-14	Cable Assembly, Battery, Black, #2 AWG x 50.00 Inches Long	1
26	34-06095-01	Stud, Battery Connection, 3/8-16 x 2.25 Inches Long	1
27	AT13QA241	Nut, Hex, 3/8-16, Brass	4
28	58-00848-00	Tubing, Split, Corrugated, 1/2 Inch ID x 25 Feet Long	1
29	58-00850-00	Tubing, 0.92 Inch ID x 75.00 Feet Long, Black	1
30	58-00858-00	Tubing, Split, Corrugated, 1/4 Inch ID x 25 Feet Long	1
31	AC701-301	Wire Tie, Self-Locking, 15.00 Inches, White	5
32	34-00655-06	Bolt, Hex Head, 1/4-20 x 3/4 Inch Long, SST	14
33	22-50099-09	Connector, Male, 6 Pin	1
34	66U1-3882	Wire Tie, Self-Locking, 7.00 Inches, Black	5
35	34-00662-11	Washer, Plain, 1/4, SST	11
36	34-00663-11	Washer, Split Lock, 1/4, SST	14
37	34-00373-03	Clamp, Tube, 3/8 OD, With Neoprene Cushion, SST	2
38	34-00662-08	Washer, Plain, #8, SST	1
39	68RM35-267	Thermistor Assembly - Includes:	1
40	12-00495-02SV	Thermistor Kit, Ambient (Replacement For 12-00305-04)	1
41	22-02394-00	Seal, Cable, Gray	2
42	22-02393-01	Terminal, Male (18-20 AWG)	2
43	34-06264-04	Screw, Hex Head, Slotted, #8-32 x 1/2 Inch Long, SST	1
44	34-00663-08	Washer, Split Lock, #8, SST	1
45	34-00373-13	Clamp, Tube, 1 Inch OD, With Neoprene Cushion, SST	2
46	AC701-237	Connector, Romex To Box, 3/8 Inch	2
47	AC301-204	Hose, Valve-Kazoo, 1 Inch	2
48	34-00938-13	Washer, Lock, Internal Tooth, 3/8, Brass	4
49	AC801-319	Grommet, 3/8 Inch Id, 17/32 Inch Hole, 1/8 Inch Groove	1
50	58-00065-85	Grommet, 7/8 Inch Id, 1-1/8 Inch Hole, 3/32 Inch Groove	1
51	22-02126-02	Cap, Insulator, Electrical	8
52	22-02126-03	Cap, Insulator, Electrical	8



2.13 Electrical Components - 68RM50-101-36, -39, -43, -46, -48, -60, -68, -69 (Continued)			
Item	Part Number	Description	Qty
53	22-62089-00	Harness, Remote (NFI) - Includes:	1
54	22-50145-00	Connector, Plug, 4 Pin	1
55	22-50152-00	Terminal, Female Receptacle (16-26 AWG)	4
56	22-50285-00	Seal, Cable, Green	4
57	22-01566-01	Terminal, Female (18-20 AWG)	4
58	22-01585-04	Connector, Male, 4 Pin, Black	1
59	10-00315-00	Stud, Battery Connection, 3/8-16 X 2.07 Inches Long, Brass	1
60	44-00102-51	Clamp, Tube, 1/2 Inch OD, With Neoprene Cushion, SST	1
61	22-62018-01	Cable Assembly, Battery, Red, #2 Awg X 118.00 Inches Long	1
62	34-62001-00	Washer, Nylon, Red	1
63	22-62017-00	Cable Assembly, Battery, Black, #2 AWG x 96.00 Inches Long	1
64	58-01368-00	Tubing, Spiral, Corrugated, 1/2 Inch Closed Red (25 Feet Roll)	1
65	AC202-210	Tubing, Flexible, 1/2 Inch, (100 Feet Roll)	1
66	12-00391-03	Module, Drivers Control (Model 68RM50-101-60 Only)	1
67	68-62125-00	Clamp, Retaining, Control Module, Painted (Model 68RM50-101-60 Only)	1
68	68-62402-00	Bracket, Control Module, Painted (Model 68RM50-101-60 Only)	1
69	34-00667-07	Nut, Hex, Self-Locking, #6-32, SST (Model 68RM50-101-60 Only)	1



2.14 Electrical Components - 68RM50-101-40, -50, -65, -66



Item	Part Number	Description	Qty
1	91-01168-02	Electrical Control Panel Assembly (See Section 3.11)	1
2	12-00352-00	Transducer, Pressure, Suction/Discharge	2
3	22-02448-00SV	Connector Package, Female - Includes:	2
4	NSS	Connector, Female, Black, 3 Pin	1
5	22-50100-00	Terminal, Female (16-18 AWG)	3
6	22-50100-00	Terminal, Female (Covered By Item 5)	6
7	68-62320-00	Cover, Relay Board, Painted	1
8	22-01585-02	Connector, Male, 2 Pin, Medium Gray	2
9	22-02392-01	Connector, Female, 2 Pin, Medium Gray	1
10	22-01585-00SK	Connector, Male, 2 Pin, Black	3
11	22-02392-00SV	Connector Kit, 2 Pin - Includes:	3
12	NSS	Connector, 2 Pin, Black	1
13	22-02393-01	Terminal, Male (18-20 AWG)	2
14	22-02394-01	Seal, Cable, Blue	2



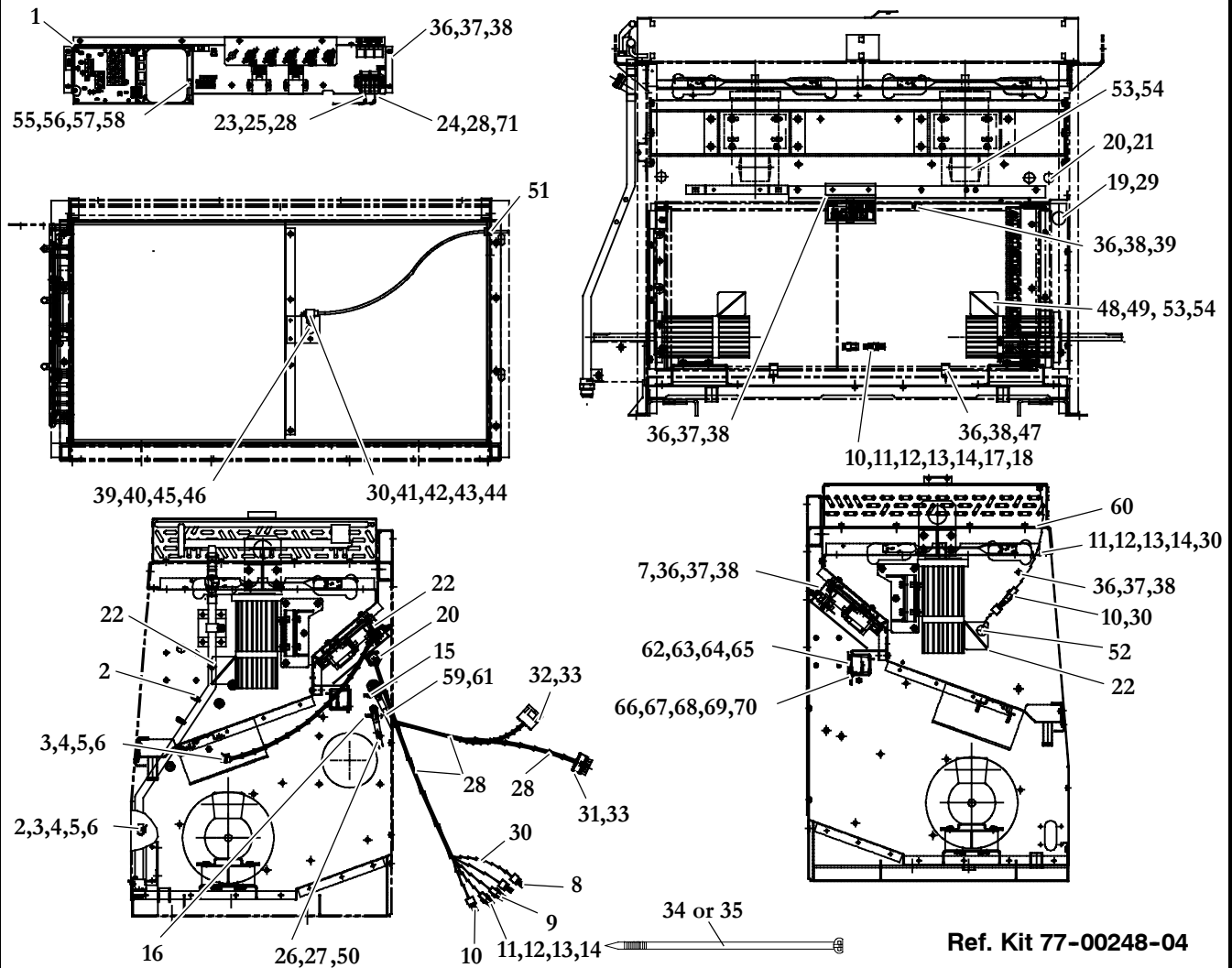
2.14 Electrical Components - 68RM50-101-40, -50, -65, -66 (Continued)			
Item	Part Number	Description	Qty
15	62-62041-04	Label, Pos +	1
16	62-62041-05	Label, Neg -	1
17	22-02393-00	Terminal, Male (14-16 AWG)	2
18	22-02394-00	Seal, Cable, Gray	2
19	58-00065-88	Grommet, 1-3/8 Inch ID x 1-5/8 Inch Hole x 5/32 Inch Groove	1
20	22-02302-03	Connector, Straight, Conduit, Watertight, 3/4 Inch	3
21	22-02301-03	Tubing, Flexible, Spiral, Closed 0.75 Inch x 100 Feet Roll	1
22	22-02302-02	Connector, Straight, Conduit, Watertight, 1/2 Inch	1
23	58-62124-00	Tubing, Flexible, Spiral, Closed 1/2 Inch x 100 Feet Roll, Black	1
24	68RM55-210-12	Cable Assembly, Battery, Red, #2 AWG x 50.00 Inches Long	1
25	68RM55-209-14	Cable Assembly, Battery, Black, #2 AWG x 50.00 Inches Long	1
26	34-06095-01	Stud, Battery Connection, 3/8-16 x 2.25 Inches Long	1
27	AT13QA241	Nut, Hex, 3/8-16, Brass	4
28	58-00848-00	Tubing, Split, Corrugated, 1/2 Inch ID x 25 Feet Long	1
29	58-00850-00	Tubing, 0.92 Inch ID x 75.00 Feet Long, Black	1
30	58-00858-00	Tubing, Split, Corrugated, 1/4 Inch ID x 25 Feet Long	1
31	22-50099-09	Connector, Male, 6 Pin	1
32	22-02392-02	Connector, Male, 6 Pin	1
33	22-01565-01	Plug, Terminal Cavity	2
34	66U1-3882	Wire Tie, Self-Locking, 7.00 Inches, Black	5
35	AC701-301	Wire Tie, Self-Locking, 15.00 Inches, White	5
36	34-00655-06	Bolt, Hex Head, 1/4-20 x 3/4 Inch Long, SST	16
37	34-00662-11	Washer, Plain, 1/4, SST	8
38	34-00663-11	Washer, Split Lock, 1/4, SST	16
39	34-00373-03	Clamp, Tube, 3/8 OD, With Neoprene Cushion, SST	2
40	34-00662-08	Washer, Plain, #8, SST	1
41	68RM35-267	Thermistor Assembly - Includes:	1
42	12-00495-02SV	Thermistor Kit, Ambient (Replacement For 12-00305-04)	1
43	22-02394-00	Seal, Cable, Gray	2
44	22-02393-01	Terminal, Male (18-20 AWG)	2
45	34-06264-04	Screw, Hex Head, Slotted, #8-32 x 1/2 Inch Long, SST	1
46	34-00663-08	Washer, Split Lock, #8, SST	1
47	34-00373-13	Clamp, Tube, 1 Inch OD, With Neoprene Cushion, SST	2
48	34-50048-00	Screw, Pan Head, Phillips, #6-32 x 1/2 Inch Long, SST	2
49	34-00662-07	Washer, Plain, #6, SST	2
50	34-00938-13	Washer, Lock, Internal Tooth, 3/8, Brass	4
51	AC801-319	Grommet, 3/8 Inch Id, 17/32 Inch Hole, 1/8 Inch Groove	1
52	22-01584-00	Resistor, 420 Watts, With Mounting Bracket	1
53	62-62041-17	Label, DR1	1
54	22-00872-01	Terminal, Ring, #10	2
55	58-00065-85	Grommet, 7/8 Inch Id, 1-1/8 Inch Hole, 3/32 Inch Groove	1
56	22-62063-00	Harness, A/C Control, 17.00 Inches Long - Includes:	1
57	22-62026-00	Connector, Plug, 6 Position	1
58	22-50145-00	Connector, Plug, 4 Position	1
59	22-50152-00	Terminal, Female Receptacle (16-26 AWG)	10



2.14 Electrical Components - 68RM50-101-40, -50, -65, -66 (Continued)			
Item	Part Number	Description	Qty
60	10-00315-00	Stud, Battery Connection, 3/8-16 X 2.07 Inches Long, Brass	1
61	44-00102-51	Clamp, Tube, 1/2 Inch OD, With Neoprene Cushion, SST	1
62	22-62018-01	Cable Assembly, Battery, Red, #2 Awg X 118.00 Inches Long	1
63	34-62001-00	Washer, Nylon, Red	1
64	22-62017-00	Cable Assembly, Battery, Black, #2 AWG x 96.00 Inches Long	1
65	12-00391-03	Module, Drivers Control	1
66	68-62125-00	Clamp, Retaining, Control Module, Painted	1
67	68-62402-00	Bracket, Control Module, Painted	1
68	34-00667-07	Nut, Hex, Self-Locking, #6-32, SST	1
69	62-62041-22	Label, ESR	1
70	58-01368-00	Tubing, Spiral, Corrugated, 1/2 Inch Closed, Red (25 Feet Roll)	1
71	AC202-210	Tubing, Flexible, 1/2 Inch, (100 Feet Roll)	1



2.15 Electrical Components - 68RM50-101-41



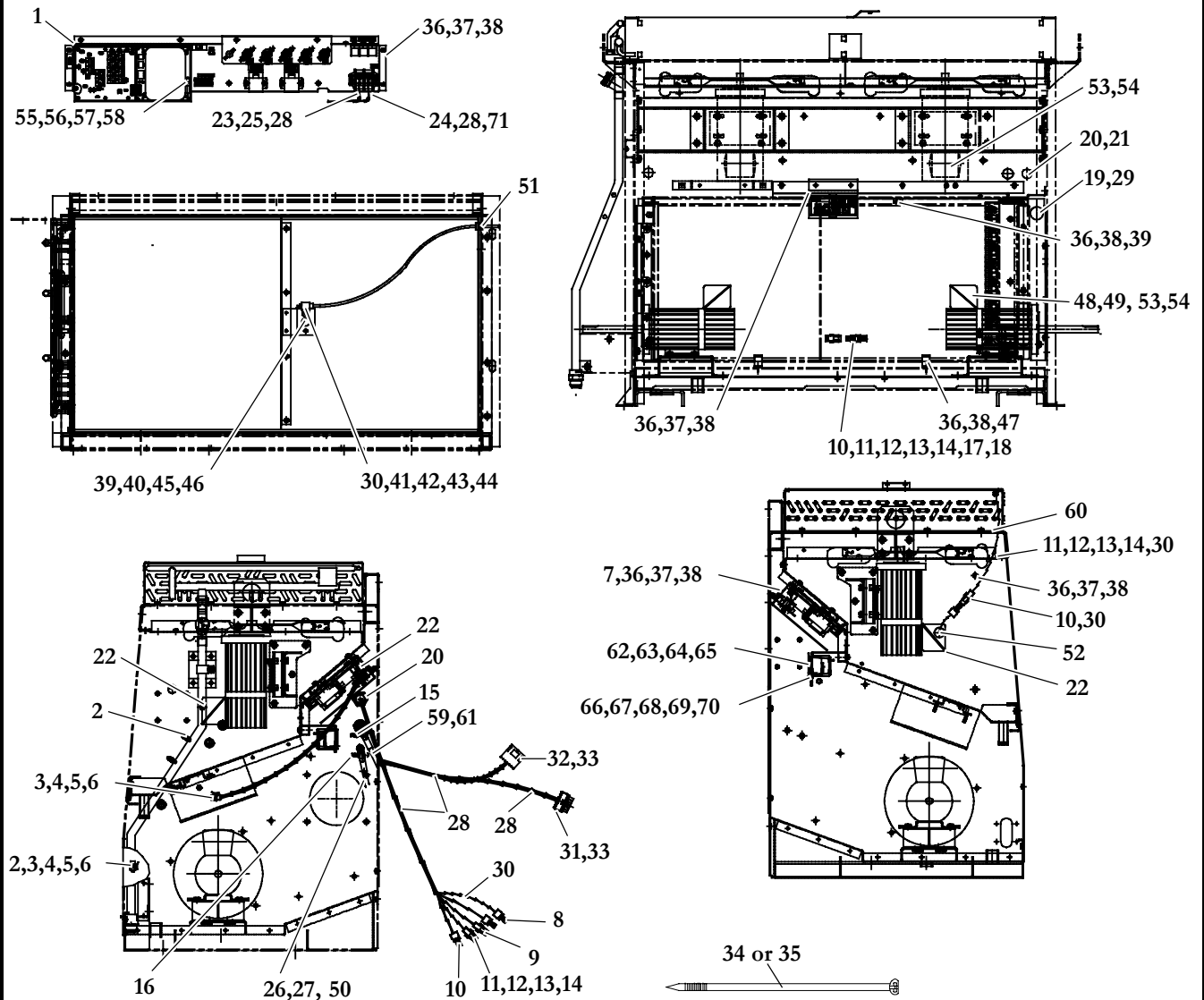
Item	Part Number	Description	Qty
1	91-01168-04	Electrical Control Panel Assembly (See Section 3.10)	1
2	12-00352-00	Transducer, Pressure, Suction/Discharge	2
3	22-02448-00SV	Connector Package, Female - Includes:	2
4	NSS	Connector, Female, Black, 3 Pin	1
5	22-50100-00	Terminal, Female (16-18 AWG)	3
6	22-50100-00	Terminal, Female (Covered By Item 5)	6
7	68-62320-00	Cover, Relay Board, Painted	1
8	22-01585-02	Connector, Male, 2 Pin, Medium Gray	2
9	22-02392-01	Connector, Female, 2 Pin, Medium Gray	1
10	22-01585-00SK	Connector, Male, 2 Pin, Black	3
11	22-02392-00SV	Connector Kit, 2 Pin - Includes:	3
12	NSS	Connector, 2 Pin, Black	1
13	22-02393-01	Terminal, Male (18-20 AWG)	2
14	22-02394-01	Seal, Cable, Blue	2
15	62-62041-04	Label, Pos +	1
16	62-62041-05	Label, Neg -	1



2.15 Electrical Components - 68RM50-101-41 (Continued)			
Item	Part Number	Description	Qty
17	22-02393-00	Terminal, Male (14-16 AWG)	2
18	22-02394-00	Seal, Cable, Gray	2
19	58-00065-88	Grommet, 1-3/8 Inch ID x 1-5/8 Inch Hole x 5/32 Inch Groove	1
20	22-02302-03	Connector, Straight, Conduit, Watertight, 3/4 Inch	3
21	22-02301-03	Tubing, Flexible, Spiral, Closed 0.75 Inch x 100 Feet Roll	1
22	22-02302-02	Connector, Straight, Conduit, Watertight, 1/2 Inch	3
23	58-62124-00	Tubing, Flexible, Spiral, Closed 1/2 Inch x 100 Feet Roll, Black	1
24	68RM55-210-12	Cable Assembly, Battery, Red, #2 AWG x 50.00 Inches Long	1
25	68RM55-209-14	Cable Assembly, Battery, Black, #2 AWG x 50.00 Inches Long	1
26	34-06095-01	Stud, Battery Connection, 3/8-16 x 2.25 Inches Long	1
27	AT13QA241	Nut, Hex, 3/8-16, Brass	4
28	58-00848-00	Tubing, Split, Corrugated, 1/2 Inch ID x 25 Feet Long	1
29	58-00850-00	Tubing, 0.92 Inch ID x 75.00 Feet Long, Black	1
30	58-00858-00	Tubing, Split, Corrugated, 1/4 Inch ID x 25 Feet Long	1
31	22-01585-03	Connector, Male, 6 Pin	1
32	22-02392-02	Connector, Female, 6 Pin	1
33	22-01565-01	Plug, Terminal Cavity	5
34	66U1-3882	Wire Tie, Self-Locking, 7.00 Inches, Black	7
35	AC701-301	Wire Tie, Self-Locking, 15.00 Inches, White	5
36	34-00655-06	Bolt, Hex Head, 1/4-20 x 3/4 Inch Long, SST	16
37	34-00662-11	Washer, Plain, 1/4, SST	13
38	34-00663-11	Washer, Split Lock, 1/4, SST	16
39	34-00373-03	Clamp, Tube, 3/8 OD, With Neoprene Cushion, SST	2
40	34-00662-08	Washer, Plain, #8, SST	1
41	68RM35-267	Thermistor Assembly - Includes:	1
42	12-00495-02SV	Thermistor Kit, Ambient (Replacement For 12-00305-04)	1
43	22-02394-00	Seal, Cable, Gray	2
44	22-02393-01	Terminal, Male (18-20 AWG)	2
45	34-06264-04	Screw, Hex Head, Slotted, #8-32 x 1/2 Inch Long, SST	1
46	34-00663-08	Washer, Split Lock, #8, SST	1
47	34-00373-13	Clamp, Tube, 1 Inch OD, With Neoprene Cushion, SST	2
48	AC701-237	Connector, Romex To Box, 3/8 Inch	2
49	AC301-204	Hose, Valve-Kazoo, 1 Inch	1
50	34-00938-13	Washer, Lock, Internal Tooth, 3/8, Brass	4
51	AC801-319	Grommet, 3/8 Inch Id, 17/32 Inch Hole, 1/8 Inch Groove	1
52	58-00065-85	Grommet, 7/8 Inch Id, 1-1/8 Inch Hole, 3/32 Inch Groove	1
53	22-02126-03	Cap, Insulator, Electrical	8
54	22-02126-02	Cap, Insulator, Electrical	8
55	22-62063-00	Harness, A/C Control, 17.00 Inches Long - Includes:	1
56	22-62026-00	Connector, Plug, 6 Position	1
57	22-50145-00	Connector, Plug, 4 Position	1
58	22-50152-00	Terminal, Female Receptacle (16-26 AWG)	10
59	10-00315-00	Stud, Battery Connection, 3/8-16 X 2.07 Inches Long, Brass	1



2.15 Electrical Components - 68RM50-101-41 (Continued)

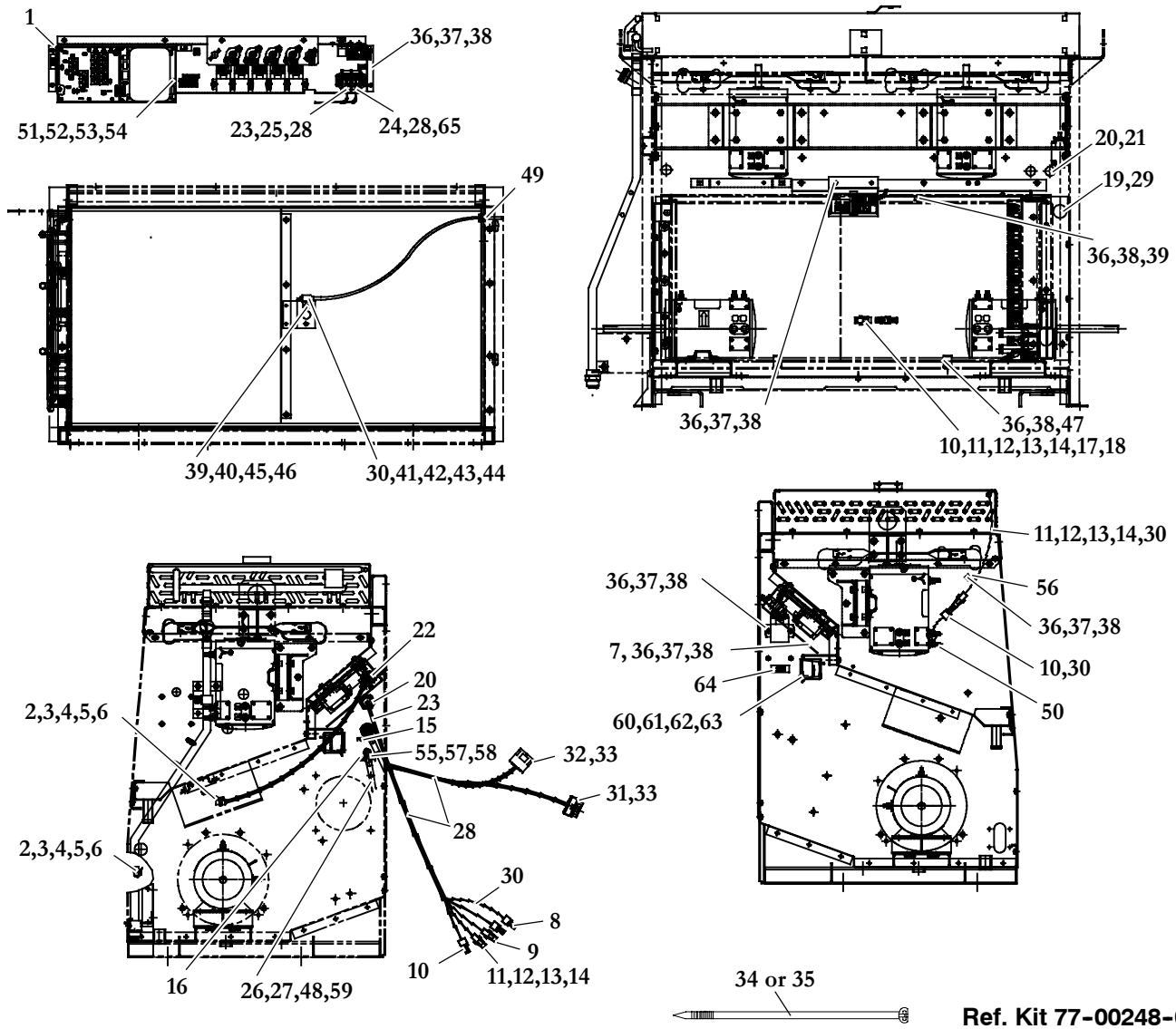


Ref. Kit 77-00248-04

Item	Part Number	Description	Qty
60	44-00102-51	Clamp, Tube, 1/2 Inch OD, With Neoprene Cushion, SST	1
61	34-62001-00	Washer, Nylon, Red	1
62	12-00391-03	Module, Drivers Control	1
63	68-62125-00	Clamp, Retaining, Control Module, Painted	1
64	68-07973-00	Bracket, Control Module, Painted	1
65	34-00667-57	Nut, Hex, Self-Locking, #6-32, SST	1
66	68-07967-00	Bracket, Display Cover	1
67	34-06177-01	Stud, Oval Slotted, .037 Long, SST	2
68	34-06178-00	Receptacle, SST	2
69	34-06169-01	Washer, Retaining, SST	2
70	79-02355-00	Lanyard Assembly, Micromate Cover	1
71	58-01368-00	Tubing, Spiral, Corrugated, 1/2 Inch Closed Red (25 Feet Roll)	1



2.16 Electrical Components - 68RM50-101-42



Ref. Kit 77-00248-03

Item	Part Number	Description	Qty
1	91-01168-03	Electrical Control Panel Assembly (See Section 3.12)	1
2	12-00352-00	Transducer, Pressure, Suction/Discharge	2
3	22-02448-00SV	Connector Package, Female - Includes:	2
4	NSS	Connector, Female, Black, 3 Pin	1
5	22-50100-00	Terminal, Female (16-18 AWG)	3
6	22-50100-00	Terminal, Female (Covered By Item 5)	6
7	68-62320-00	Cover, Relay Board, Painted	1
8	22-01585-02	Connector, Male, 2 Pin, Medium Gray	2
9	22-02392-01	Connector, Female, 2 Pin, Medium Gray	1
10	22-01585-00SK	Connector, Male, 2 Pin, Black	3
11	22-02392-00SV	Connector Kit, 2 Pin - Includes:	3
12	NSS	Connector, 2 Pin, Black	1
13	22-02393-01	Terminal, Male (18-20 AWG)	2
14	22-02394-01	Seal, Cable, Blue	2



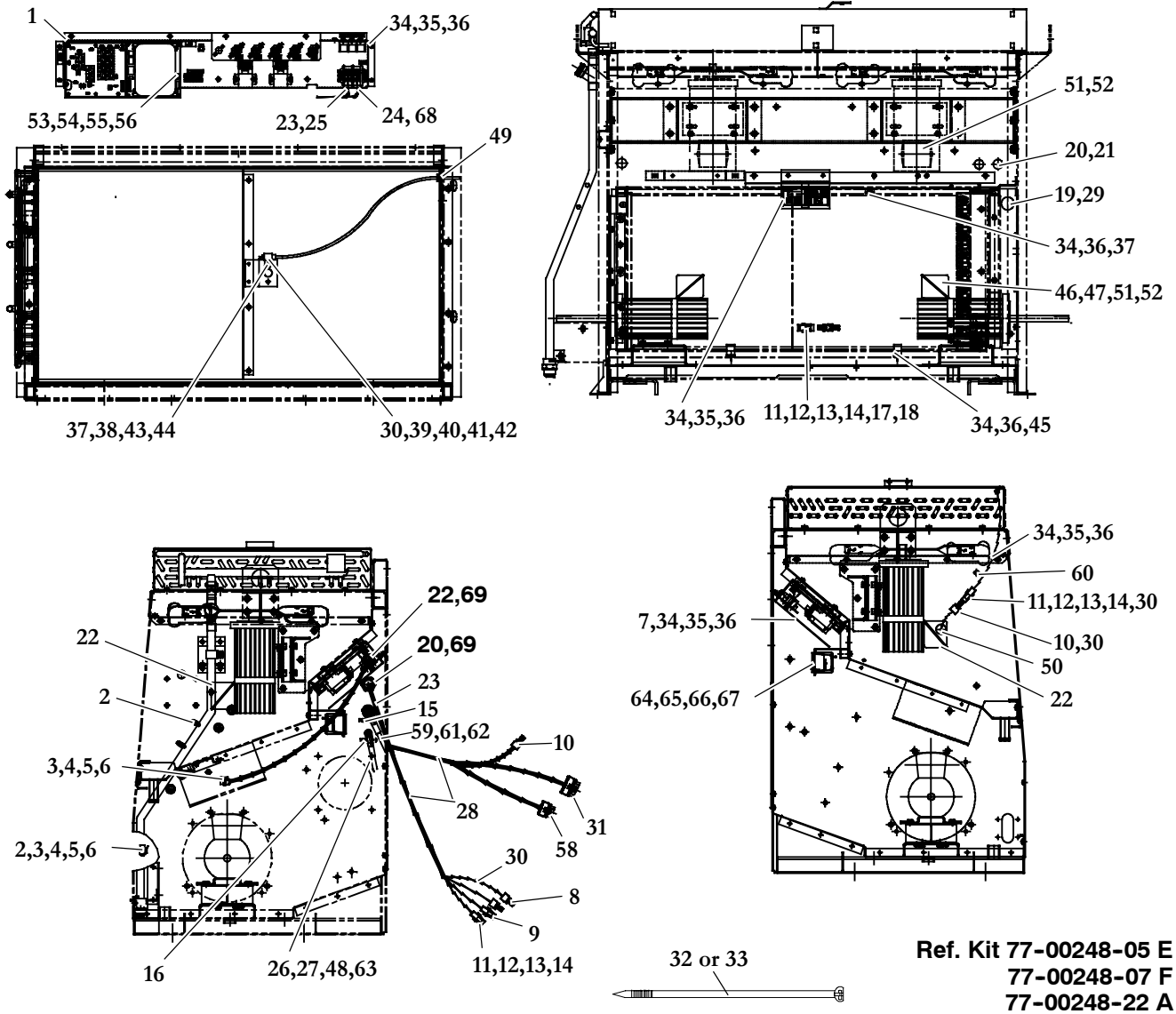
2.16 Electrical Components - 68RM50-101-42 (Continued)			
Item	Part Number	Description	Qty
15	62-62041-04	Label, Pos +	1
16	62-62041-05	Label, Neg -	1
17	22-02393-00	Terminal, Male (14-16 AWG)	2
18	22-02394-00	Seal, Cable, Gray	2
19	58-00065-88	Grommet, 1-3/8 Inch ID x 1-5/8 Inch Hole x 5/32 Inch Groove	1
20	22-02302-03	Connector, Straight, Conduit, Watertight, 3/4 Inch	3
21	22-02301-03	Tubing, Flexible, Spiral, Closed 0.75 Inch x 100 Feet Roll	1
22	22-02302-02	Connector, Straight, Conduit, Watertight, 1/2 Inch	1
23	58-62124-00	Tubing, Flexible, Spiral, Closed 1/2 Inch x 100 Feet Roll, Black	1
24	68RM55-210-12	Cable Assembly, Battery, Red, #2 AWG x 50.00 Inches Long	1
25	68RM55-209-14	Cable Assembly, Battery, Black, #2 AWG x 50.00 Inches Long	1
26	34-06095-01	Stud, Battery Connection, 3/8-16 x 2.25 Inches Long	1
27	AT13QA241	Nut, Hex, 3/8-16, Brass	4
28	58-00848-00	Tubing, Split, Corrugated, 1/2 Inch ID x 25 Feet Long	1
29	58-00850-00	Tubing, 0.92 Inch ID x 75.00 Feet Long, Black	1
30	58-00858-00	Tubing, Split, Corrugated, 1/4 Inch ID x 25 Feet Long	1
31	22-50099-09	Connector, Male, 6 Pin	1
32	22-02392-02	Connector, Female, 6 Pin	1
33	22-01565-01	Plug, Terminal Cavity	5
34	66U1-3882	Wire Tie, Self-Locking, 7.00 Inches, Black	5
35	AC701-301	Wire Tie, Self-Locking, 15.00 Inches, White	5
36	34-00655-06	Bolt, Hex Head, 1/4-20 x 3/4 Inch Long, SST	19
37	34-00662-11	Washer, Plain, 1/4, SST	16
38	34-00663-11	Washer, Split Lock, 1/4, SST	19
39	34-00373-03	Clamp, Tube, 3/8 OD, With Neoprene Cushion, SST	2
40	34-00662-08	Washer, Plain, #8, SST	1
41	68RM35-267	Thermistor Assembly - Includes:	1
42	12-00495-02SV	Thermistor Kit, Ambient (Replacement For 12-00305-04)	1
43	22-02394-00	Seal, Cable, Gray	2
44	22-02393-01	Terminal, Male (18-20 AWG)	2
45	34-06264-04	Screw, Hex Head, Slotted, #8-32 x 1/2 Inch Long, SST	1
46	34-00663-08	Washer, Split Lock, #8, SST	1
47	34-00373-13	Clamp, Tube, 1 Inch OD, With Neoprene Cushion, SST	2
48	34-00938-13	Washer, Lock, Internal Tooth, 3/8, Brass	4
49	AC801-319	Grommet, 3/8 Inch Id, 17/32 Inch Hole, 1/8 Inch Groove	1
50	58-00065-85	Grommet, 7/8 Inch Id, 1-1/8 Inch Hole, 3/32 Inch Groove	1
51	22-62063-00	Harness, A/C Control, 17.00 Inches Long - Includes:	1
52	22-62026-00	Connector, Plug, 6 Position	1
53	22-50145-00	Connector, Plug, 4 Position	1
54	22-50152-00	Terminal, Female Receptacle (16-26 AWG)	10
55	10-00315-00	Stud, Battery Connection, 3/8-16 X 2.07 Inches Long, Brass	1
56	44-00102-51	Clamp, Tube, 1/2 Inch OD, With Neoprene Cushion, SST	1
57	22-62018-00	Cable Assembly, Battery, Red, #2 Awg X 102.00 Inches Long	1
58	34-62001-00	Washer, Nylon, Red	1
59	22-62017-00	Cable Assembly, Battery, Black, #2 AWG x 96.00 Inches Long	1



2.16 Electrical Components - 68RM50-101-42 (Continued)			
Item	Part Number	Description	Qty
60	12-00391-03	Module, Drivers Control	1
61	68-62125-00	Clamp, Retaining, Control Module, Painted	1
62	68-62402-00	Bracket, Control Module, Painted	1
63	34-00667-07	Nut, Hex, Self-Locking, #6-32, SST	1
64	62-62041-22	Label, ESR	1
65	58-01368-00	Tubing, Spiral, Corrugated, 1/2 Inch Closed Red (25 Feet Roll)	1



2.17 Electrical Components - 68RM50-101-45, -47, -49, -54, -67



Ref. Kit 77-00248-05 E
77-00248-07 F
77-00248-22 A

Item	Part Number	Description	Qty
1	91-01168-01	Electrical Control Panel Assembly (See Section 3.10)	1
	91-01168-12	Electrical Control Panel Assembly (See Section 3.10)	
2	12-00352-00	Transducer, Pressure, Suction/Discharge	2
3	22-02448-00SV	Connector Package, Female - Includes:	2
4	NSS	Connector, Female, Black, 3 Pin	1
5	22-50100-00	Terminal, Female (16-18 AWG)	3
6	22-50100-00	Terminal, Female (Covered By Item 5)	6
7	68-62320-00	Cover, Relay Board, Painted	1
8	22-01585-02	Connector, Male, 2 Pin, Medium Gray	2
9	22-02392-01	Connector, Female, 2 Pin, Medium Gray	1
10	22-01585-00SK	Connector, Male, 2 Pin, Black	3
11	22-02392-00SV	Connector Kit, 2 Pin - Includes:	3
12	NSS	Connector, 2 Pin, Black	1
13	22-02393-01	Terminal, Male (18-20 AWG)	2



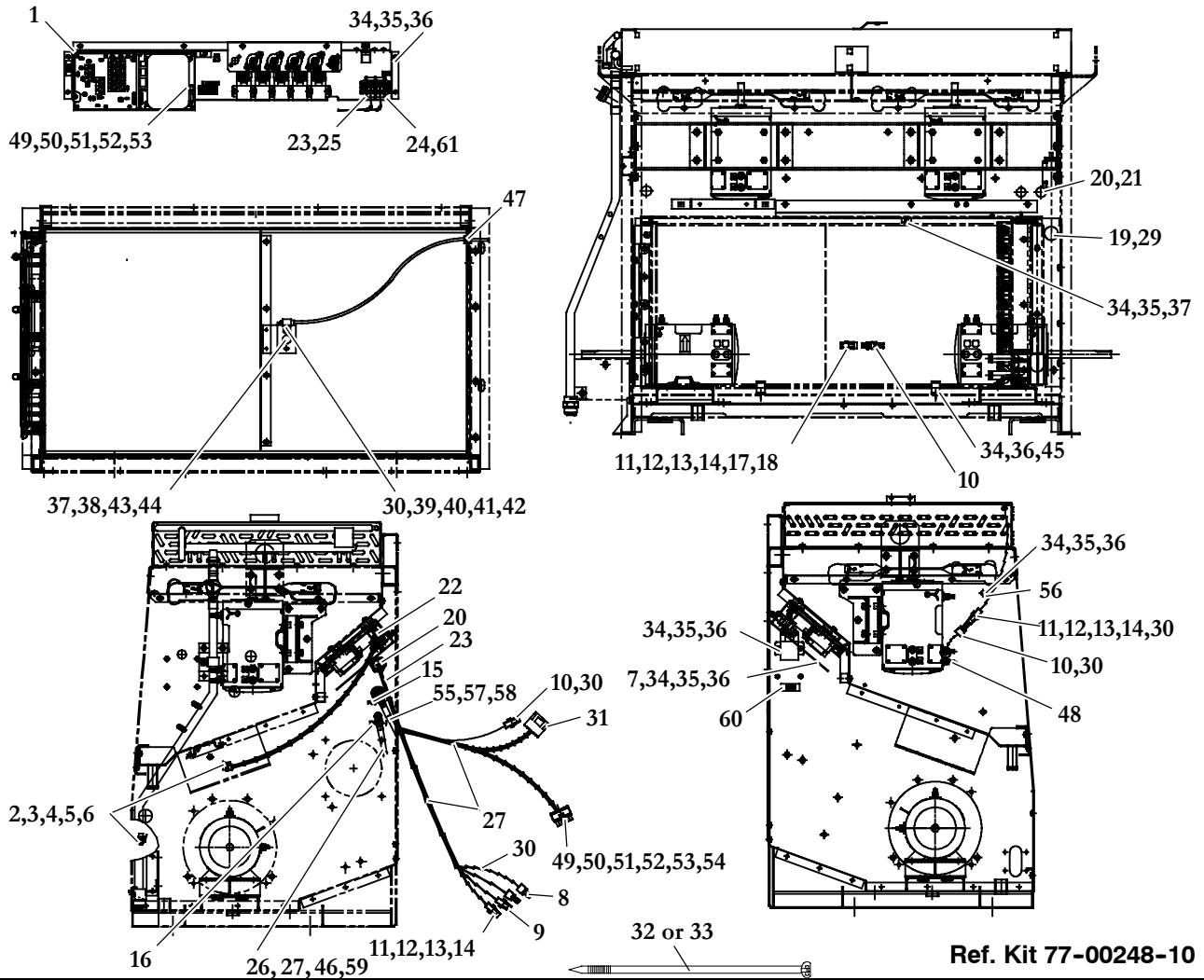
2.17 Electrical Components - 68RM50-101-45, -47, -49, -54, -67 (Continued)			
Item	Part Number	Description	Qty
14	22-02394-01	Seal, Cable, Blue	2
15	62-62041-04	Label, Pos +	1
16	62-62041-05	Label, Neg -	1
17	22-02393-00	Terminal, Male (14-16 AWG)	2
18	22-02394-00	Seal, Cable, Gray	2
19	58-00065-88	Grommet, 1-3/8 Inch ID x 1-5/8 Inch Hole x 5/32 Inch Groove	1
20	22-02302-03	Connector, Straight, Conduit, Watertight, 3/4 Inch	3
21	22-02301-03	Tubing, Flexible, Spiral, Closed 0.75 Inch x 100 Feet Roll	1
22	22-02302-02	Connector, Straight, Conduit, Watertight, 1/2 Inch	3
23	58-62124-00	Tubing, Flexible, Spiral, Closed 1/2 Inch x 100 Feet Roll, Black	1
24	68RM55-210-12	Cable Assembly, Battery, Red, #2 AWG x 50.00 Inches Long	1
25	68RM55-209-14	Cable Assembly, Battery, Black, #2 AWG x 50.00 Inches Long	1
26	34-06095-01	Stud, Battery Connection, 3/8-16 x 2.25 Inches Long	1
27	AT13QA241	Nut, Hex, 3/8-16, Brass	4
28	58-00848-00	Tubing, Split, Corrugated, 1/2 Inch ID x 25 Feet Long	1
29	58-00850-00	Tubing, 0.92 Inch ID x 75.00 Feet Long, Black	1
30	58-00858-00	Tubing, Split, Corrugated, 1/4 Inch ID x 25 Feet Long	1
31	22-50099-09	Connector, Male, 6 Pin	1
32	66U1-3882	Wire Tie, Self-Locking, 7.00 Inches, Black	5
33	AC701-301	Wire Tie, Self-Locking, 15.00 Inches, White	5
34	34-00655-06	Bolt, Hex Head, 1/4-20 x 3/4 Inch Long, SST	A/R
35	34-00662-11	Washer, Plain, 1/4, SST	A/R
36	34-00663-11	Washer, Split Lock, 1/4, SST	A/R
37	34-00373-03	Clamp, Tube, 3/8 OD, With Neoprene Cushion, SST	2
38	34-00662-08	Washer, Plain, #8, SST	1
39	68RM35-267	Thermistor Assembly - Includes:	1
40	12-00495-02SV	Thermistor Kit, Ambient (Replacement For 12-00305-04)	1
41	22-02394-00	Seal, Cable, Gray	2
42	22-02393-01	Terminal, Male (18-20 AWG)	2
43	34-06264-04	Screw, Hex Head, Slotted, #8-32 x 1/2 Inch Long, SST	1
44	34-00663-08	Washer, Split Lock, #8, SST	1
45	34-00373-13	Clamp, Tube, 1 Inch OD, With Neoprene Cushion, SST	2
46	AC701-237	Connector, Romex To Box, 3/8 Inch	2
47	AC301-204	Hose, Valve-Kazoo, 1 Inch	1
48	34-00938-13	Washer, Lock, Internal Tooth, 3/8, Brass	4
49	AC801-319	Grommet, 3/8 Inch Id, 17/32 Inch Hole, 1/8 Inch Groove	1
50	58-00065-85	Grommet, 7/8 Inch Id, 1-1/8 Inch Hole, 3/32 Inch Groove	1
51	22-02126-02	Cap, Insulator, Electrical	8
52	22-02126-03	Cap, Insulator, Electrical	8
53	22-62063-00	Harness, A/C Control, 17.00 Inches Long - Includes: (Model 101-47,-49,-54, -67)	1
54	22-62026-00	Connector, Plug, 6 Position	1
55	22-50145-00	Connector, Plug, 4 Position	1
56	22-50152-00	Terminal, Female Receptacle (16-26 AWG)	10
53	22-62089-00	Harness, Remote (NFI) - Includes: (Model 101-45)	1
54	22-50145-00	Connector, Plug, 4 Pin	1



2.17 Electrical Components - 68RM50-101-45, -47, -49, -54, -67 (Continued)			
Item	Part Number	Description	Qty
55	22-50152-00	Terminal, Female Receptacle (16-26 AWG)	4
56	22-50285-00	Seal, Cable, Green	4
57	22-01566-01	Terminal, Female (18-20 AWG)	4
58	22-01585-04	Connector, Male, 4 Pin, Black	1
59	10-00315-00	Stud, Battery Connection, 3/8-16 X 2.07 Inches Long, Brass	1
60	44-00102-51	Clamp, Tube, 1/2 Inch OD, With Neoprene Cushion, SST	1
61	22-62018-01	Cable Assembly, Battery, Red, #2 Awg X 118.00 Inches Long	1
62	34-62001-00	Washer, Nylon, Red	1
63	22-62017-00	Cable Assembly, Battery, Black, #2 AWG x 96.00 Inches Long	1
64	12-00391-03	Module, Drivers Control	1
65	68-62125-00	Clamp, Retaining, Control Module, Painted	1
66	68-62402-00	Bracket, Control Module, Painted	1
67	34-00667-07	Nut, Hex, Self-Locking, #6-32, SST	1
68	58-01368-00	Tubing, Spiral, Corrugated, 1/2 Inch Closed Red (25 Feet Roll)	1
69	AC202-218	Tubing, Flexible, 1/2 Inch (100 Feet Roll)	1



2.18 Electrical Components - 68RM50-101-51



Ref. Kit 77-00248-10

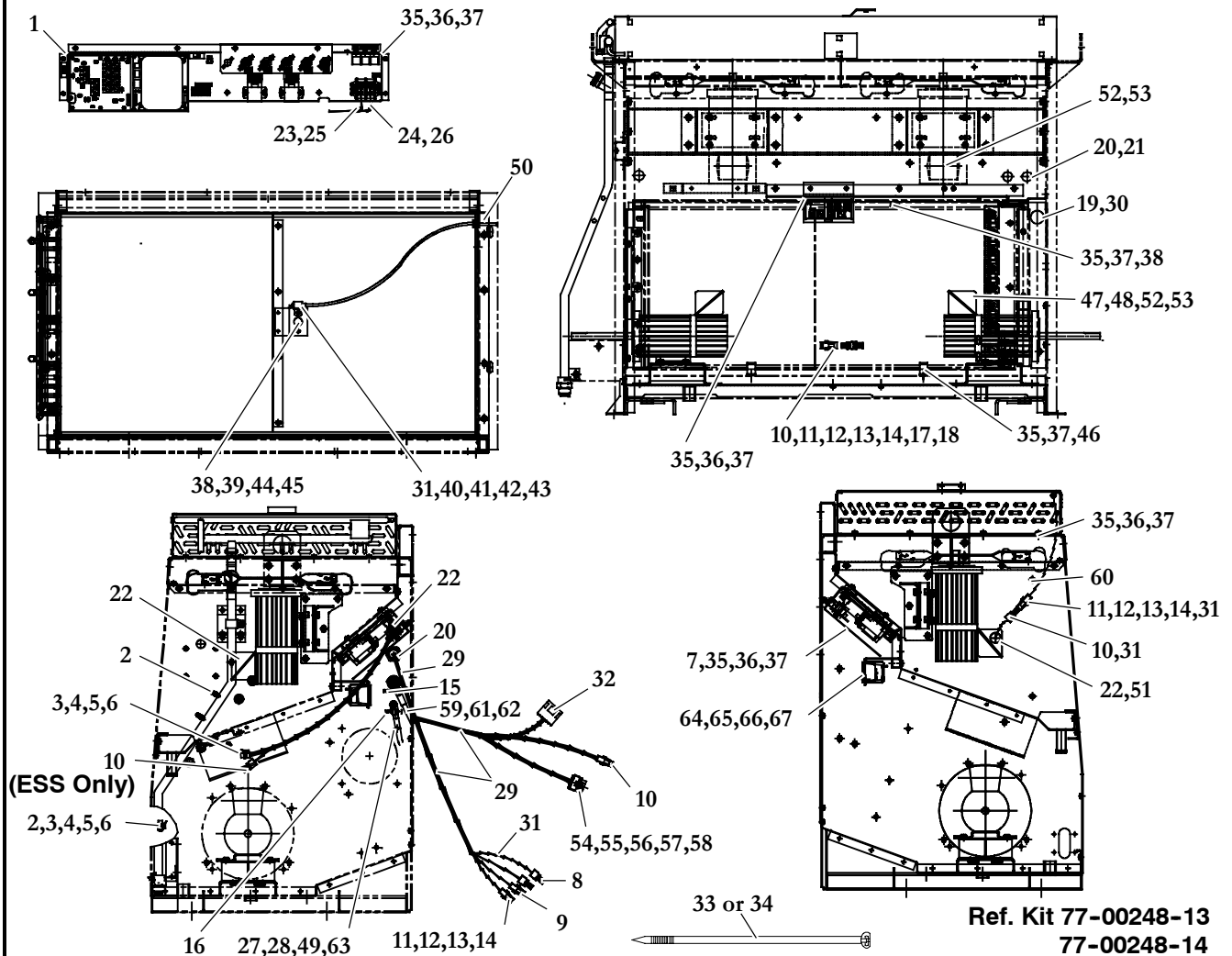
Item	Part Number	Description	Qty
1	91-01168-05	Electrical Control Panel Assembly (See Section 3.9)	1
2	12-00352-00	Transducer, Pressure, Suction/Discharge	2
3	22-02448-00SV	Connector Package, Female - Includes:	2
4	NSS	Connector, Female, Black, 3 Pin	1
5	22-50100-00	Terminal, Female (16-18 AWG)	3
6	22-50100-00	Terminal, Female (Covered By Item 5)	6
7	68-62320-00	Cover, Relay Board, Painted	1
8	22-01585-02	Connector, Male, 2 Pin, Medium Gray	2
9	22-02392-01	Connector, Female, 2 Pin, Medium Gray	1
10	22-01585-00SK	Connector, Male, 2 Pin, Black	3
11	22-02392-00SV	Connector Kit, 2 Pin - Includes:	3
12	NSS	Connector, 2 Pin, Black	1
13	22-02393-01	Terminal, Male (18-20 AWG)	2
14	22-02394-01	Seal, Cable, Blue	2
15	62-62041-04	Label, Pos +	1
16	62-62041-05	Label, Neg -	1



2.18 Electrical Components - 68RM50-101-51 (Continued)			
Item	Part Number	Description	Qty
17	22-02393-00	Terminal, Male (14-16 AWG)	2
18	22-02394-00	Seal, Cable, Gray	2
19	58-00065-88	Grommet, 1-3/8 Inch ID x 1-5/8 Inch Hole x 5/32 Inch Groove	1
20	22-02302-03	Connector, Straight, Conduit, Watertight, 3/4 Inch	3
21	22-02301-03	Tubing, Flexible, Spiral, Closed 0.75 Inch x 100 Feet Roll	1
22	22-02302-02	Connector, Straight, Conduit, Watertight, 1/2 Inch	1
23	58-62124-00	Tubing, Flexible, Spiral, Closed 1/2 Inch x 100 Feet Roll, Black	1
24	68RM55-210-12	Cable Assembly, Battery, Red, #2 AWG x 50.00 Inches Long	1
25	68RM55-209-14	Cable Assembly, Battery, Black, #2 AWG x 50.00 Inches Long	1
26	34-06095-01	Stud, Battery Connection, 3/8-16 x 2.25 Inches Long	1
27	AT13QA241	Nut, Hex, 3/8-16, Brass	4
28	58-00848-00	Tubing, Split, Corrugated, 1/2 Inch ID x 25 Feet Long	1
29	58-00850-00	Tubing, 0.92 Inch ID x 75.00 Feet Long, Black	1
30	58-00858-00	Tubing, Split, Corrugated, 1/4 Inch ID x 25 Feet Long	1
31	22-50099-09	Connector, Male, 6 Pin	1
32	66U1-3882	Wire Tie, Self-Locking, 7.00 Inches, Black	5
33	AC701-301	Wire Tie, Self-Locking, 15.00 Inches, White	5
34	34-00655-06	Bolt, Hex Head, 1/4-20 x 3/4 Inch Long, SST	17
35	34-00662-11	Washer, Plain, 1/4, SST	14
36	34-00663-11	Washer, Split Lock, 1/4, SST	17
37	34-00373-03	Clamp, Tube, 3/8 OD, With Neoprene Cushion, SST	1
38	34-00662-08	Washer, Plain, #8, SST	1
39	68RM35-267	Thermistor Assembly - Includes:	1
40	12-00495-02SV	Thermistor Kit, Ambient (Replacement For 12-00305-04)	1
41	22-02394-00	Seal, Cable, Gray	2
42	22-02393-01	Terminal, Male (18-20 AWG)	2
43	34-06264-04	Screw, Hex Head, Slotted, #8-32 x 1/2 Inch Long, SST	1
44	34-00663-08	Washer, Split Lock, #8, SST	1
45	34-00373-13	Clamp, Tube, 1 Inch OD, With Neoprene Cushion, SST	2
46	34-00938-13	Washer, Lock, Internal Tooth, 3/8, Brass	4
47	AC801-319	Grommet, 3/8 Inch Id, 17/32 Inch Hole, 1/8 Inch Groove	1
48	58-00065-85	Grommet, 7/8 Inch Id, 1-1/8 Inch Hole, 3/32 Inch Groove	1
49	22-62089-00	Harness, Remote (NFI) - Includes:	1
50	22-50145-00	Connector, Plug, 4 Pin	1
51	22-50152-00	Terminal, Female Receptacle (16-26 AWG)	4
52	22-50285-00	Seal, Cable, Green	4
53	22-01566-01	Terminal, Female (18-20 AWG)	4
54	22-01585-04	Connector, Male, 4 Pin, Black	1
55	10-00315-00	Stud, Battery Connection, 3/8-16 X 2.07 Inches Long, Brass	1
56	44-00102-51	Clamp, Tube, 1/2 Inch OD, With Neoprene Cushion, SST	1
57	22-62018-01	Cable Assembly, Battery, Red, #2 Awg X 118.00 Inches Long	1
58	34-62001-00	Washer, Nylon, Red	1
59	22-62017-00	Cable Assembly, Battery, Black, #2 AWG x 96.00 Inches Long	1
60	62-62041-22	Label, ESR	1
61	58-01368-00	Tubing, Spiral, Corrugated, 1/2 Inch Closed Red (25 Feet Roll)	1



2.19 Electrical Components - 68RM50-101-56, -58



Item	Part Number	Description	Qty
1	91-01168-01	Electrical Control Panel Assembly (Model 68RM50-101-58 Only) (See Section 3.10)	1
	91-01168-06	Electrical Control Panel Assembly (Model 68RM50-101-56 Only) (See Section 3.13)	
2	12-00352-00	Transducer, Pressure, Suction/Discharge	2
3	22-02448-00SV	Connector Package, Female - Includes:	2
4	NSS	Connector, Female, Black, 3 Pin	1
5	22-50100-00	Terminal, Female (16-18 AWG)	3
6	22-50100-00	Terminal, Female (Covered By Item 5)	6
7	68-62320-00	Cover, Relay Board, Painted	1
8	22-01585-02	Connector, Male, 2 Pin, Medium Gray	2
9	22-02392-01	Connector, Female, 2 Pin, Medium Gray	1
10	22-01585-00SK	Connector, Male, 2 Pin, Black	A/R
11	22-02392-00SV	Connector Kit, 2 Pin - Includes:	3
12	NSS	Connector, 2 Pin, Black	1
13	22-02393-01	Terminal, Male (18-20 AWG)	2
14	22-02394-01	Seal, Cable, Blue	2

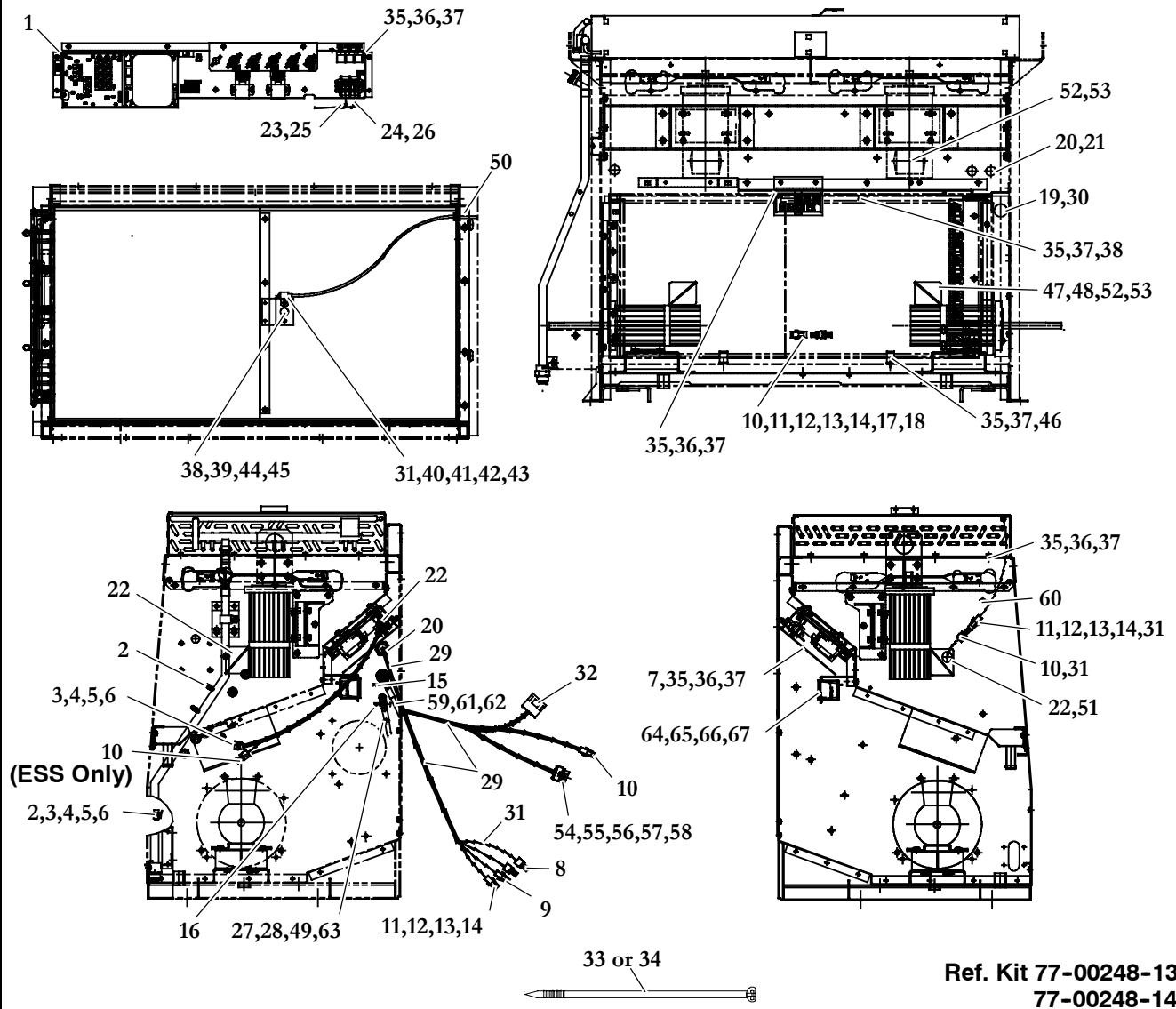


2.19 Electrical Components - 68RM50-101-56, -58 (Continued)

Item	Part Number	Description	Qty
15	62-62041-04	Label, Pos +	1
16	62-62041-05	Label, Neg -	1
17	22-02393-00	Terminal, Male (14-16 AWG)	2
18	22-02394-00	Seal, Cable, Gray	2
19	58-00065-88	Grommet, 1-3/8 Inch ID x 1-5/8 Inch Hole x 5/32 Inch Groove	1
20	22-02302-03	Connector, Straight, Conduit, Watertight, 3/4 Inch	3
21	22-02301-03	Tubing, Flexible, Spiral, Closed 0.75 Inch x 100 Feet Roll	1
22	22-02302-02	Connector, Straight, Conduit, Watertight, 1/2 Inch	3
23	58-62124-00	Tubing, Flexible, Spiral, Closed 1/2 Inch x 100 Feet Roll, Black	1
24	68RM55-210-12	Cable Assembly, Battery, Red, #2 AWG x 50.00 Inches Long	1
25	68RM55-209-14	Cable Assembly, Battery, Black, #2 AWG x 50.00 Inches Long	1
26	58-01368-00	Tubing, Spiral, Corrugated, 1/2 Inch, Closed, Red, 25 Feet Long	1
27	34-06095-01	Stud, Battery Connection, 3/8-16 x 2.25 Inches Long	1
28	AT13QA241	Nut, Hex, 3/8-16, Brass	4
29	58-00848-00	Tubing, Split, Corrugated, 1/2 Inch ID x 25 Feet Long	1
30	58-00850-00	Tubing, 0.92 Inch ID x 75.00 Feet Long, Black	1
31	58-00858-00	Tubing, Split, Corrugated, 1/4 Inch ID x 25 Feet Long	1
32	22-50099-09	Connector, Female, 6 Pin	1
33	66U1-3882	Wire Tie, Self-Locking, 7.00 Inches, Black	5
34	AC701-301	Wire Tie, Self-Locking, 15.00 Inches, White	5
35	34-00655-06	Bolt, Hex Head, 1/4-20 x 3/4 Inch Long, SST	A/R
36	34-00662-11	Washer, Plain, 1/4, SST	A/R
37	34-00663-11	Washer, Split Lock, 1/4, SST	A/R
38	34-00373-03	Clamp, Tube, 3/8 OD, With Neoprene Cushion, SST	2
39	34-00662-08	Washer, Plain, #8, SST	1
40	68RM35-267	Thermistor Assembly - Includes:	1
41	12-00495-02SV	Thermistor Kit, Ambient (Replacement For 12-00305-04)	1
42	22-02394-00	Seal, Cable, Gray	2
43	22-02393-01	Terminal, Male (18-20 AWG)	2
44	34-06264-04	Screw, Hex Head, Slotted, #8-32 x 1/2 Inch Long, SST	1
45	34-00663-08	Washer, Split Lock, #8, SST	1
46	34-00373-13	Clamp, Tube, 1 Inch OD, With Neoprene Cushion, SST	2
47	AC701-237	Connector, Romex To Box, 3/8 Inch	2
48	AC301-204	Hose, Valve-Kazoo, 1 Inch	2
49	34-00938-13	Washer, Lock, Internal Tooth, 3/8, Brass	4
50	AC801-319	Grommet, 3/8 Inch Id, 17/32 Inch Hole, 1/8 Inch Groove	1
51	58-00065-85	Grommet, 7/8 Inch Id, 1-1/8 Inch Hole, 3/32 Inch Groove	1
52	22-02126-02	Cap, Insulator, Electrical	8
53	22-02126-03	Cap, Insulator, Electrical	8
54	22-62063-00	Harness, A/C Control, 17.00 Inches Long - Includes:	1
55	22-62026-00	Connector, Plug, 6 Position	1
56	22-50145-00	Connector, Plug, 4 Position	1
57	22-50152-00	Terminal, Female Receptacle (16-26 AWG)	10
58	22-01585-04	Connector, Male, 4 Pin, Black	1



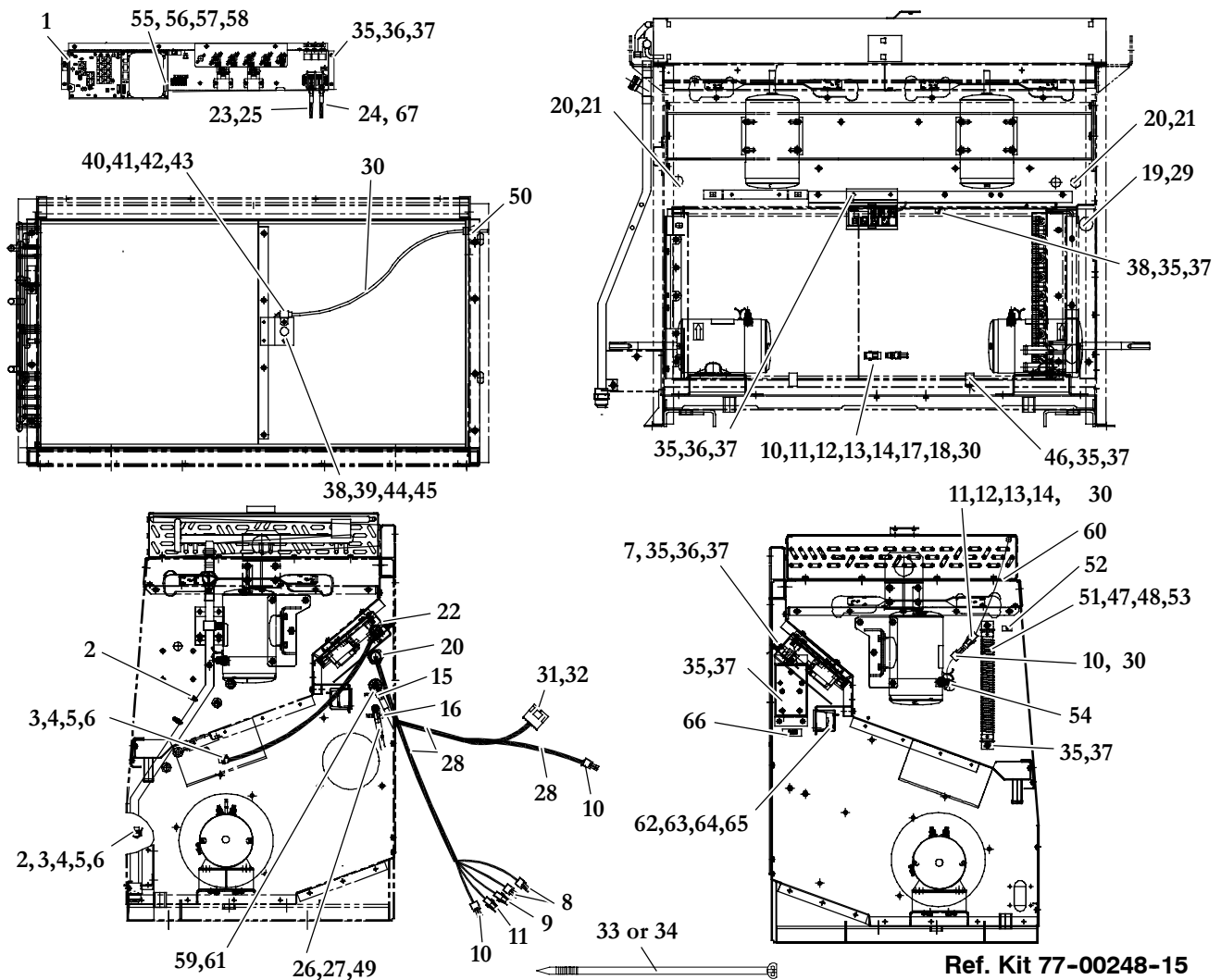
2.19 Electrical Components - 68RM50-101-56, -58 (Continued)



Item	Part Number	Description	Qty
59	10-00315-00	Stud, Battery Connection, 3/8-16 X 2.07 Inches Long, Brass	1
60	44-00102-51	Clamp, Tube, 1/2 Inch OD, With Neoprene Cushion, SST	1
61	22-62018-01	Cable Assembly, Battery, Red, #2 Awg X 118.00 Inches Long	1
62	34-62001-00	Washer, Nylon, Red	1
63	22-62017-00	Cable Assembly, Battery, Black, #2 AWG x 96.00 Inches Long	1
64	12-00391-03	Module, Drivers Control	1
65	68-62125-00	Clamp, Retaining, Control Module, Painted	1
66	68-62402-00	Bracket, Control Module, Painted	1
67	34-00667-07	Nut, Hex, Self-Locking, #6-32, SST	1



2.20 Electrical Components - 68RM50-101-55

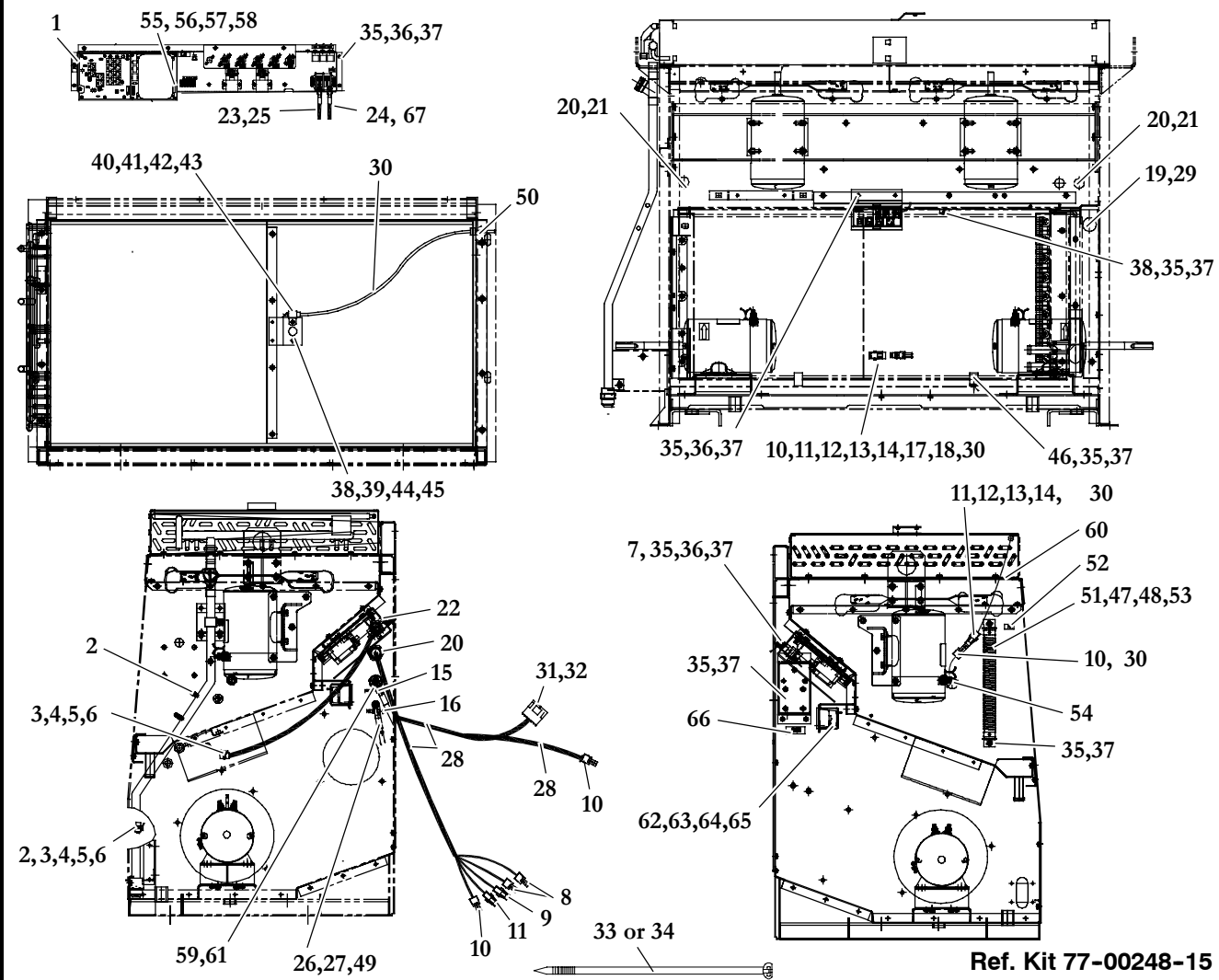


Ref. Kit 77-00248-15

Item	Part Number	Description	Qty
1	91-01168-07	Electrical Control Panel Assembly (See Separate Parts List)	1
2	12-00352-00	Transducer, Pressure, Suction/Discharge	2
3	22-02448-00SV	Connector Package, Female - Includes:	2
4	NSS	Connector, Female, Black, 3 Pin	1
5	22-50100-00	Terminal, Female (16-18 AWG)	3
6	22-50100-00	Terminal, Female (Covered By Item 3B)	6
7	68-62320-00	Cover, Relay Board, Painted	1
8	22-01585-02	Connector, Male, 2 Pin, Medium Gray	2
9	22-02392-01	Connector, Female, 2 Pin, Medium Gray	1
10	22-01585-00SK	Connector, Male, 2 Pin, Black	3
11	22-02392-00SV	Connector Kit, 2 Pin - Includes:	3
12	NSS	Connector, 2 Pin, Black	1
13	22-02393-01	Terminal, Male (18-20 AWG)	2
14	22-02394-01	Seal, Cable, Blue	2
15	62-62041-04	Label, Pos +	1
16	62-62041-05	Label, Neg -	1



2.20 Electrical Components - 68RM50-101-55 (Continued)



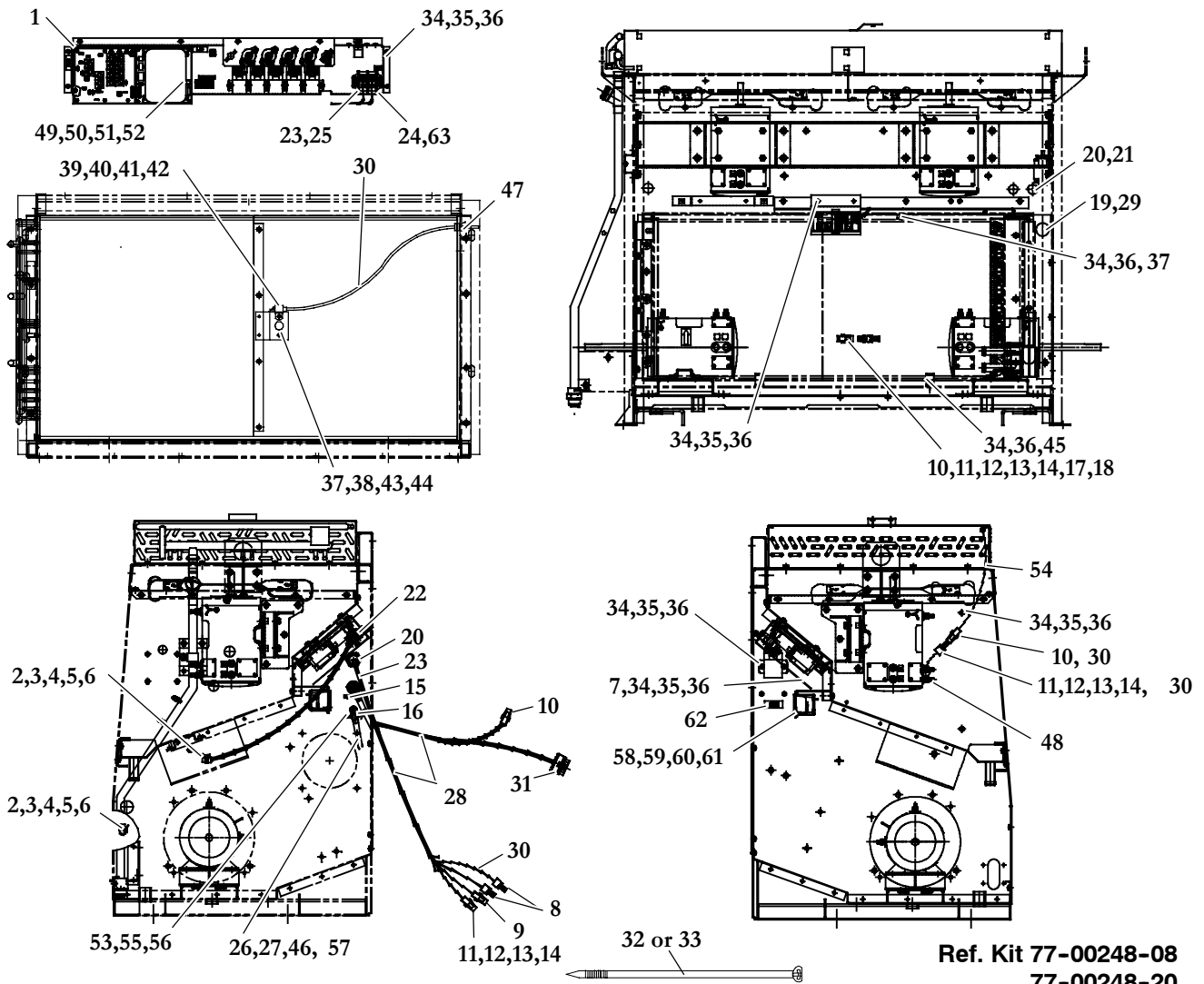
Item	Part Number	Description	Qty
17	22-02393-00	Terminal, Male (14-16 AWG)	2
18	22-02394-00	Seal, Cable, Gray	2
19	58-00065-88	Grommet, 1-3/8 Inch ID x 1-5/8 Inch Hole x 5/32 Inch Groove	1
20	22-02302-03	Connector, Straight, Conduit, Watertight, 3/4 Inch	3
21	22-02301-03	Tubing, Flexible, Spiral, Closed 0.75 Inch x 100 Feet Roll	1
22	22-02302-02	Connector, Straight, Conduit, Watertight, 1/2 Inch	1
23	58-62124-00	Tubing, Flexible, Spiral, Closed 1/2 Inch x 100 Feet Roll	1
24	68RM55-210-12	Cable Assembly, Battery, Red, #2 AWG x 50.00 Inches Long	1
25	68RM55-209-14	Cable Assembly, Battery, Black, #2 AWG x 50.00 Inches Long	1
26	34-06095-01	Stud, Battery Connection, 3/8-16 x 2.25 Inches Long	1
27	AT13QA241	Nut, Hex, 3/8-16, Brass	4
28	58-00848-00	Tubing, Split, Corrugated, 1/2 Inch ID x 25 Feet Long	1
29	58-00850-00	Tubing, Split, Corrugated, 0.92 Inch ID x 75 Feet Long	1
30	58-00858-00	Tubing, Split, Corrugated, 1/4 Inch ID x 25 Feet Long	1
31	22-02392-02	Connector, Female, 6 Pin	1
32	22-01565-01	Plug, Terminal Cavity	5



2.20 Electrical Components - 68RM50-101-55 (Continued)			
Item	Part Number	Description	Qty
33	66U1-3882	Wire Tie, Self-Locking, 7.00 Inches, Black	5
34	AC701-301	Wire Tie, Self-Locking, 15.00 Inches, White	5
35	34-00655-06	Bolt, Hex Head, 1/4-20 x 3/4 Inch Long, SST	16
36	34-00662-11	Washer, Plain, 1/4, SST	8
37	34-00663-11	Washer, Split Lock, 1/4, SST	16
38	34-00373-03	Clamp, Tube, 3/8 OD, With Neoprene Cushion, SST	2
39	34-00662-08	Washer, Plain, #8, SST	1
40	68RM35-267	Thermistor Assembly - Includes:	1
41	12-00495-02SV	Thermistor Kit, Ambient (Replacement For 12-00305-04)	1
42	22-02394-00	Seal, Cable, Gray	2
43	22-02393-01	Terminal, Male (18-20 AWG)	2
44	34-06264-04	Screw, Hex Head, Slotted, #8-32 x 1/2 Inch Long, SST	1
45	34-00663-08	Washer, Split Lock, #8, SST	1
46	34-00373-13	Clamp, Tube, 1 Inch OD, With Neoprene Cushion, SST	2
47	34-50048-00	Screw, Pan Head, Phillips, #6-32 x 1/2 Inch Long, SST	2
48	34-00662-07	Washer, Plain, #6, SST	2
49	34-00938-13	Washer, Lock, Internal Tooth, 3/8, Brass	4
50	AC801-319	Grommet, 3/8 Inch Id, 17/32 Inch Hole, 1/8 Inch Groove	1
51	22-01584-00	Resistor, 420 Watts, With Mounting Bracket	1
52	62-62041-17	Label, DR1	1
53	22-00872-01	Terminal, Ring, #10	2
54	58-00065-85	Grommet, 7/8 Inch Id, 1-1/8 Inch Hole, 3/32 Inch Groove	1
55	22-62063-00	Harness, A/C Control, 17.00 Inches Long - Includes:	1
56	22-62026-00	Connector, Plug, 6 Position	1
57	22-50145-00	Connector, Plug, 4 Position	1
58	22-50152-00	Terminal, Female Receptacle (16-26 AWG)	10
59	10-00315-00	Stud, Battery Connection, 3/8-16 X 2.07 Inches Long, Brass	1
60	44-00102-51	Clamp, Tube, 1/2 Inch OD, With Neoprene Cushion, SST	1
61	34-62001-00	Washer, Nylon, Red	1
62	12-00391-03	Module, Drivers Control	1
63	68-62125-00	Clamp, Retaining, Control Module, Painted	1
64	68-62402-00	Bracket, Control Module, Painted	1
65	34-00667-07	Nut, Hex, Self-Locking, #6-32, SST	1
66	62-62041-22	Label, ESR	1
67	58-01368-00	Tubing, Spiral, Corrugated, 1/2 Inch Closed Red (25 Feet Roll)	1



2.21 Electrical Components - 68RM50-101-44, -62



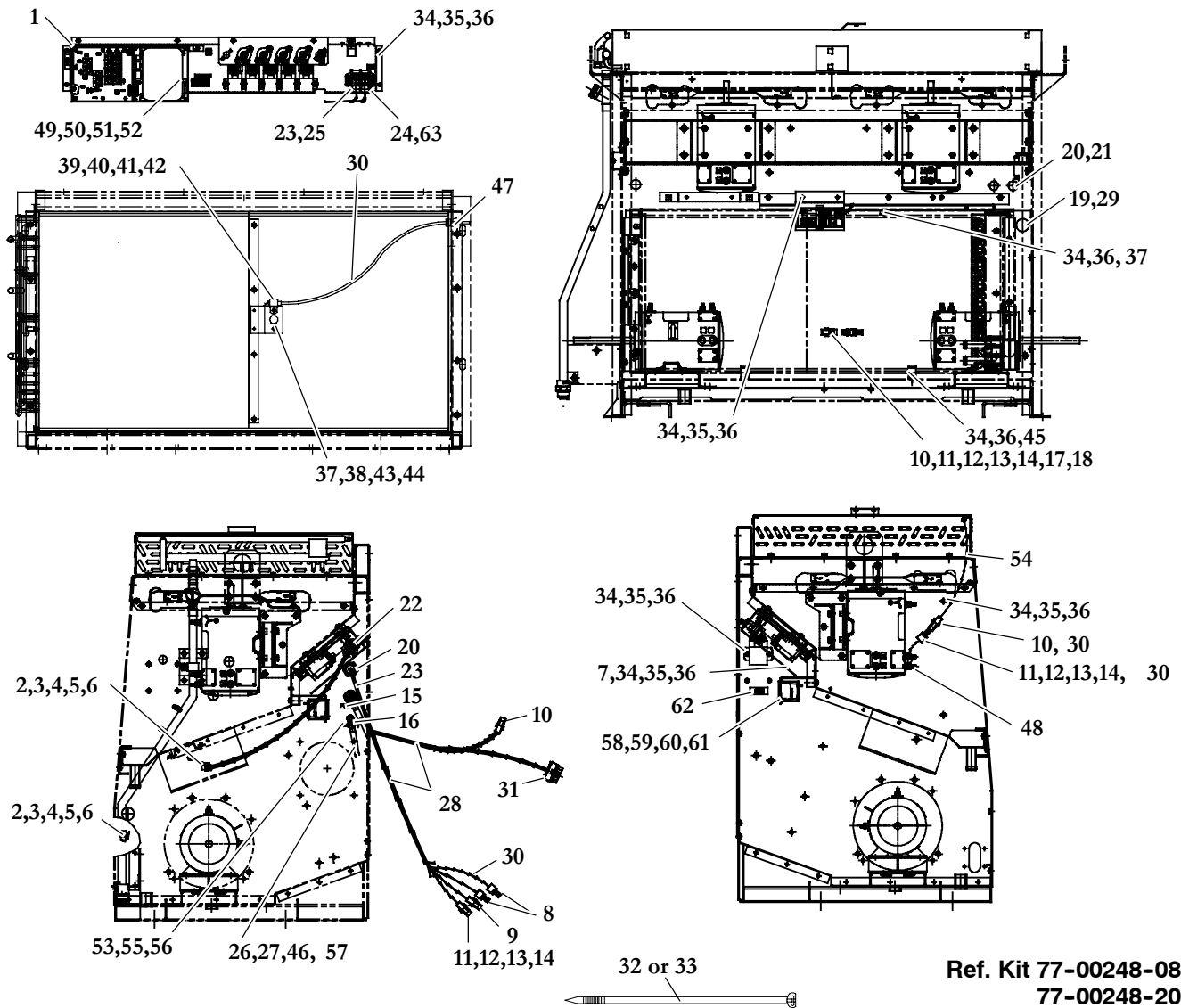
Item	Part Number	Description	Qty
1	91-01168-00	Electrical Control Panel Assembly (Model 68RM50-101-44 Only) (See Section 3.9)	1
	91-01168-10	Electrical Control Panel Assembly (Model 68RM50-101-62 Only) (See Section 3.9)	
2	12-00352-00	Transducer, Pressure, Suction/Discharge	2
3	22-02448-00SV	Connector Package, Female - Includes:	2
4	NSS	Connector, Female, Black, 3 Pin	1
5	22-50100-00	Terminal, Female (16-18 AWG)	3
6	22-50100-00	Terminal, Female (Covered By Item 3B)	6
7	68-62320-00	Cover, Relay Board, Painted	1
8	22-01585-02	Connector, Male, 2 Pin, Medium Gray	2
9	22-02392-01	Connector, Female, 2 Pin, Medium Gray	1
10	22-01585-00SK	Connector, Male, 2 Pin, Black	3
11	22-02392-00SV	Connector Kit, 2 Pin - Includes:	3
12	NSS	Connector, 2 Pin, Black	1
13	22-02393-01	Terminal, Male (18-20 AWG)	2
14	22-02394-01	Seal, Cable, Blue	2



2.21 Electrical Components - 68RM50-101-44, -62 (Continued)			
Item	Part Number	Description	Qty
15	62-62041-04	Label, Pos +	1
16	62-62041-05	Label, Neg -	1
17	22-02393-00	Terminal, Male (14-16 AWG)	2
18	22-02394-00	Seal, Cable, Gray	2
19	58-00065-88	Grommet, 1-3/8 Inch ID x 1-5/8 Inch Hole x 5/32 Inch Groove	1
20	22-02302-03	Connector, Straight, Conduit, Watertight, 3/4 Inch	3
21	22-02301-03	Tubing, Flexible, Spiral, Closed 0.75 Inch x 100 Feet Roll	1
22	22-02302-02	Connector, Straight, Conduit, Watertight, 1/2 Inch	1
23	58-62124-00	Tubing, Flexible, Spiral, Closed 1/2 Inch x 100 Feet Roll, Black	1
24	68RM55-210-12	Cable Assembly, Battery, Red, #2 AWG x 50.00 Inches Long	1
25	68RM55-209-14	Cable Assembly, Battery, Black, #2 AWG x 50.00 Inches Long	1
26	34-06095-01	Stud, Battery Connection, 3/8-16 x 2.25 Inches Long	1
27	AT13QA241	Nut, Hex, 3/8-16, Brass	4
28	58-00848-00	Tubing, Split, Corrugated, 1/2 Inch ID x 25 Feet Long	1
29	58-00850-00	Tubing, Split, Corrugated, 0.92 Inch ID x 75 Feet Long	1
30	58-00858-00	Tubing, Split, Corrugated, 1/4 Inch ID x 25 Feet Long	1
31	22-50099-09	Connector, Male, 6 Pin, Black	1
32	66U1-3882	Wire Tie, Self-Locking, 7.00 Inches, Black	5
33	AC701-301	Wire Tie, Self-Locking, 15.00 Inches, White	5
34	34-00655-06	Bolt, Hex Head, 1/4-20 x 3/4 Inch Long, SST	19
35	34-00662-11	Washer, Plain, 1/4, SST	16
36	34-00663-11	Washer, Split Lock, 1/4, SST	19
37	34-00373-03	Clamp, Tube, 3/8 OD, With Neoprene Cushion, SST	2
38	34-00662-08	Washer, Plain, #8, SST	1
39	68RM35-267	Thermistor Assembly - Includes:	1
40	12-00495-02SV	Thermistor Kit, Ambient (Replacement For 12-00305-04)	1
41	22-02394-00	Seal, Cable, Gray	2
42	22-02393-01	Terminal, Male (18-20 AWG)	2
43	34-06264-04	Screw, Hex Head, Slotted, #8-32 x 1/2 Inch Long, SST	1
44	34-00663-08	Washer, Split Lock, #8, SST	1
45	34-00373-13	Clamp, Tube, 1 Inch OD, With Neoprene Cushion, SST	2
46	34-00938-13	Washer, Lock, Internal Tooth, 3/8, Brass	4
47	AC801-319	Grommet, 3/8 Inch Id, 17/32 Inch Hole, 1/8 Inch Groove	1
48	58-00065-85	Grommet, 7/8 Inch Id, 1-1/8 Inch Hole, 3/32 Inch Groove	1
49	22-62063-00	Harness, A/C Control, 17.00 Inches Long - Includes:	1
50	22-62026-00	Connector, Plug, 6 Position	1
51	22-50145-00	Connector, Plug, 4 Position	1
52	22-50152-00	Terminal, Female Receptacle (16-26 AWG)	10
53	10-00315-00	Stud, Battery Connection, 3/8-16 X 2.07 Inches Long, Brass	1
54	44-00102-51	Clamp, Tube, 1/2 Inch OD, With Neoprene Cushion, SST	1
55	22-62018-01	Cable Assembly, Battery, Red, #2 Awg X 118.00 Inches Long	1
56	34-62001-00	Washer, Nylon, Red	1
57	22-62017-00	Cable Assembly, Battery, Black, #2 AWG x 96.00 Inches Long	1



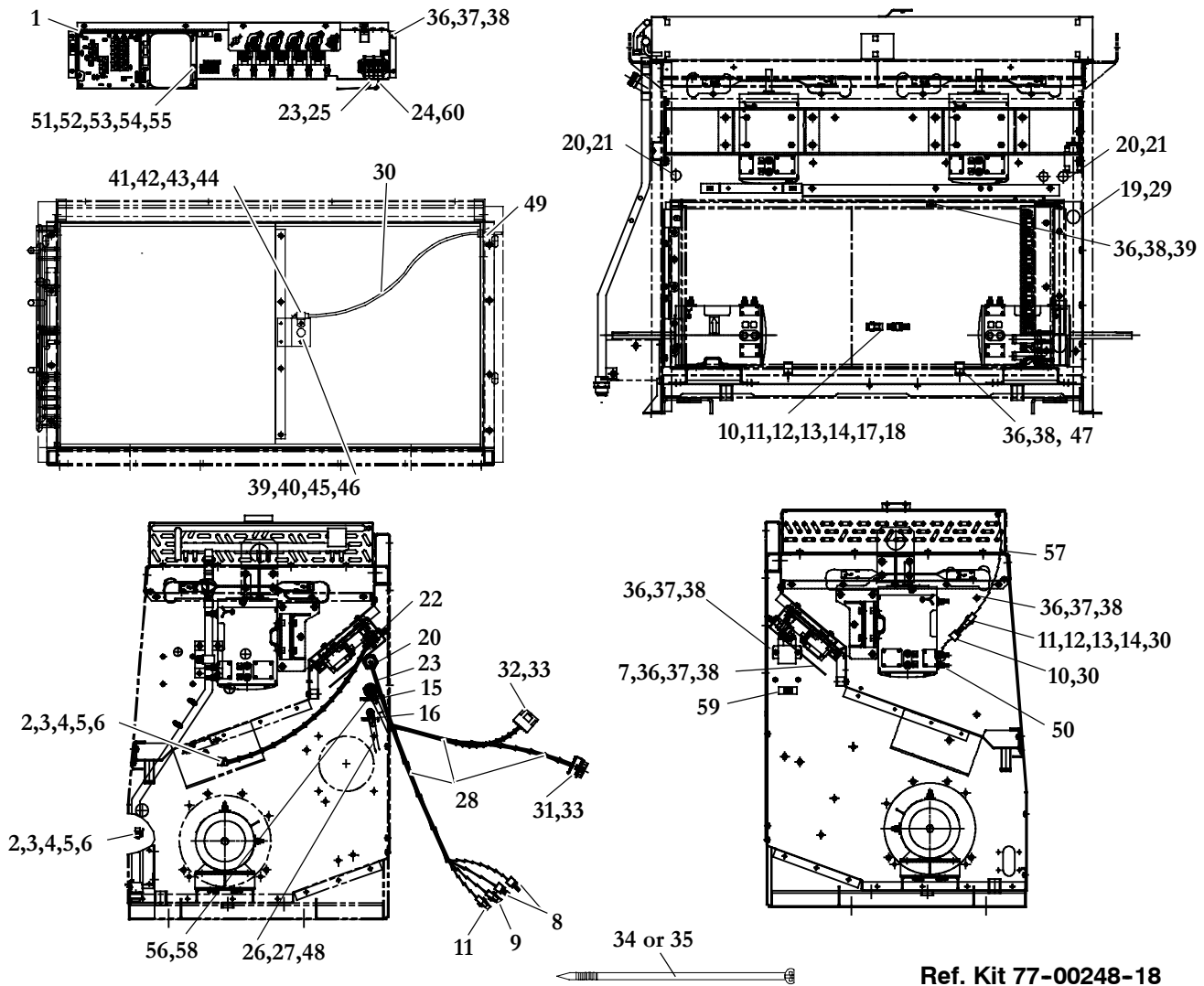
2.21 Electrical Components - 68RM50-101-44, -62 (Continued)



Item	Part Number	Description	Qty
58	12-00391-03	Module, Drivers Control	1
59	68-62125-00	Clamp, Retaining, Control Module, Painted	1
60	68-62402-00	Bracket, Control Module, Painted	1
61	34-00667-07	Nut, Hex, Self-Locking, #6-32, SST	1
62	62-62041-22	Label, ESR	1
63	58-01368-00	Tubing, Spiral, Corrugated, 1/2 Inch Closed Red (25 Feet Roll)	1



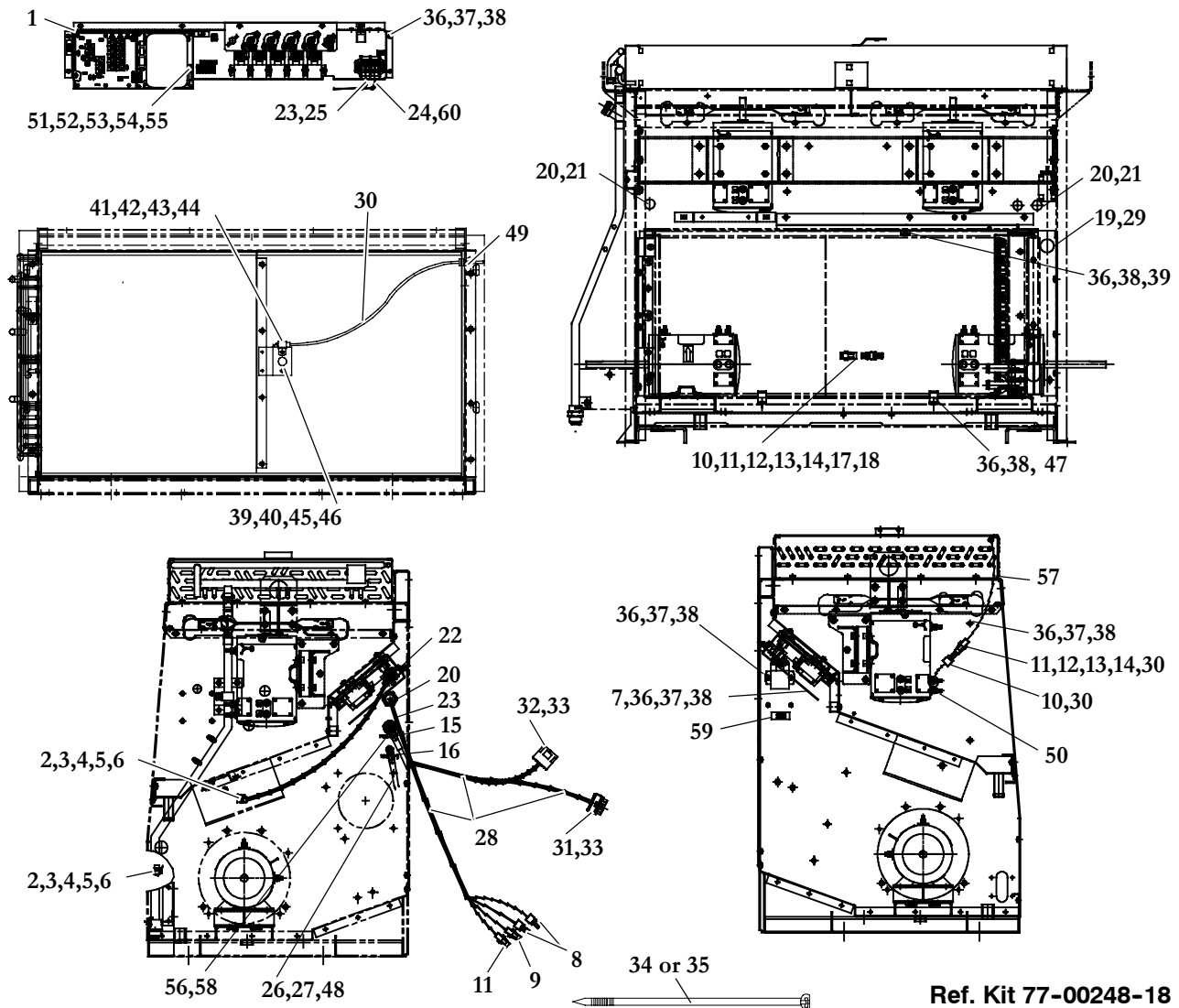
2.22 Electrical Components - 68RM50-101-57



Item	Part Number	Description	Qty
1	91-01168-08	Electrical Control Panel Assembly (See Separate Parts List)	1
2	12-00352-00	Transducer, Pressure, Suction/Discharge	2
3	22-02448-00SV	Connector Package, Female - Includes:	2
4	NSS	Connector, Female, Black, 3 Pin	1
5	22-50100-00	Terminal, Female (16-18 AWG)	3
6	22-50100-00	Terminal, Female (Covered By Item 3B)	6
7	68-62320-00	Cover, Relay Board, Painted	1
8	22-01585-02	Connector, Male, 2 Pin, Medium Gray	2
9	22-02392-01	Connector, Female, 2 Pin, Medium Gray	1
10	22-01585-00SK	Connector, Male, 2 Pin, Black	3
11	22-02392-00SV	Connector Kit, 2 Pin - Includes:	3
12	NSS	Connector, 2 Pin, Black	1
13	22-02393-01	Terminal, Male (18-20 AWG)	2
14	22-02394-01	Seal, Cable, Blue	2



2.22 Electrical Components - 68RM50-101-57 (Continued)



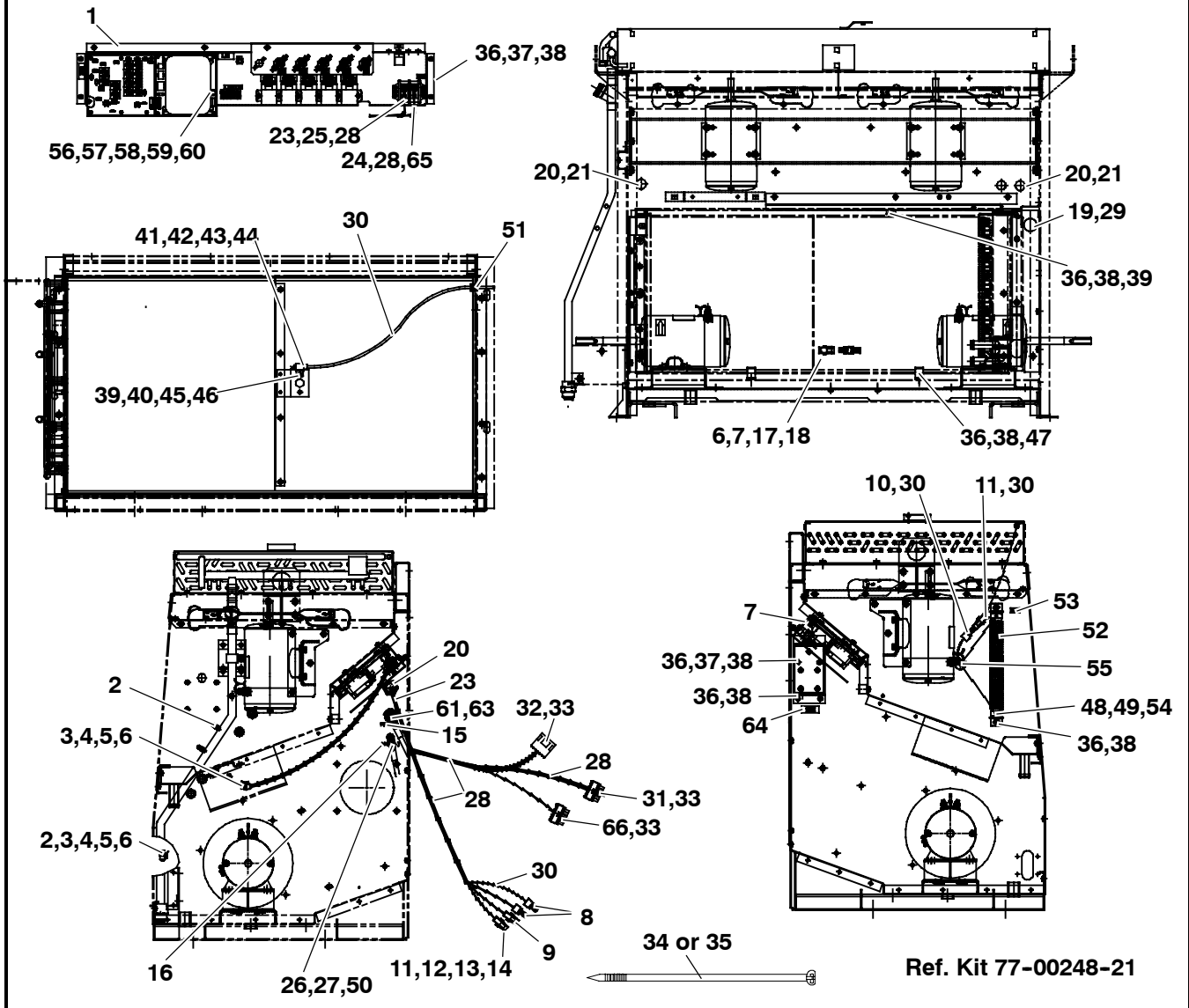
Item	Part Number	Description	Qty
15	62-62041-04	Label, Pos +	1
16	62-62041-05	Label, Neg -	1
17	22-02393-00	Terminal, Male (14-16 AWG)	2
18	22-02394-00	Seal, Cable, Gray	2
19	58-00065-88	Grommet, 1-3/8 Inch ID x 1-5/8 Inch Hole x 5/32 Inch Groove	1
20	22-02302-03	Connector, Straight, Conduit, Watertight, 3/4 Inch	3
21	22-02301-03	Tubing, Flexible, Spiral, Closed 0.75 Inch x 100 Feet Roll	1
22	22-02302-02	Connector, Straight, Conduit, Watertight, 1/2 Inch	1
23	58-62124-00	Tubing, Flexible, Spiral, Closed 1/2 Inch x 100 Feet Roll, Black	1
24	68RM55-210-12	Cable Assembly, Battery, Red, #2 AWG x 50.00 Inches Long	1
25	68RM55-209-14	Cable Assembly, Battery, Black, #2 AWG x 50.00 Inches Long	1
26	34-06095-01	Stud, Battery Connection, 3/8-16 x 2.25 Inches Long	1
27	AT13QA241	Nut, Hex, 3/8-16, Brass	4



2.22 Electrical Components - 68RM50-101-57 (Continued)			
Item	Part Number	Description	Qty
28	58-00848-00	Tubing, Split, Corrugated, 1/2 Inch ID x 25 Feet Long	1
29	58-00850-00	Tubing, Split, Corrugated, 0.92 Inch ID x 75 Feet Long	1
30	58-00858-00	Tubing, Split, Corrugated, 1/4 Inch ID x 25 Feet Long	1
31	22-01585-03	Connector, Male, 6 Pin	1
32	22-50099-00	Connector, Female, 6 Pin	1
33	22-01565-01	Plug, Terminal Cavity	4
34	66U1-3882	Wire Tie, Self-Locking, 7.00 Inches, Black	5
35	AC701-301	Wire Tie, Self-Locking, 15.00 Inches, White	5
36	34-00655-06	Bolt, Hex Head, 1/4-20 x 3/4 Inch Long, SST	17
37	34-00662-11	Washer, Plain, 1/4, SST	14
38	34-00663-11	Washer, Split Lock, 1/4, SST	17
39	34-00373-03	Clamp, Tube, 3/8 OD, With Neoprene Cushion, SST	2
40	34-00662-08	Washer, Plain, #8, SST	1
41	68RM35-267	Thermistor Assembly - Includes:	1
42	12-00495-02SV	Thermistor Kit, Ambient (Replacement For 12-00305-04)	1
43	22-02394-00	Seal, Cable, Gray	2
44	22-02393-01	Terminal, Male (18-20 AWG)	2
45	34-06264-04	Screw, Hex Head, Slotted, #8-32 x 1/2 Inch Long, SST	1
46	34-00663-08	Washer, Split Lock, #8, SST	1
47	34-00373-13	Clamp, Tube, 1 Inch OD, With Neoprene Cushion, SST	2
48	34-00938-13	Washer, Lock, Internal Tooth, 3/8, Brass	4
49	AC801-319	Grommet, 3/8 Inch Id, 17/32 Inch Hole, 1/8 Inch Groove	1
50	58-00065-85	Grommet, 7/8 Inch Id, 1-1/8 Inch Hole, 3/32 Inch Groove	1
51	22-62089-00	Harness, Remote (NFI) - Includes:	1
52	22-50145-00	Connector, Plug, 4 Pin	1
53	22-50152-00	Terminal, Female Receptacle (16-26 AWG)	4
54	22-50285-00	Seal, Cable, Green	4
55	22-01566-01	Terminal, Female (18-20 AWG)	4
56	10-00315-00	Stud, Battery Connection, 3/8-16 X 2.07 Inches Long, Brass	1
57	44-00102-51	Clamp, Tube, 1/2 Inch OD, With Neoprene Cushion, SST	1
58	34-62001-00	Washer, Nylon, Red	1
59	62-62041-22	Label, ESR	1
60	58-01368-00	Tubing, Spiral, Corrugated, 1/2 Inch Closed Red (25 Feet Roll)	1



2.23 Electrical Components - 68RM50-101-63



Ref. Kit 77-00248-21

Item	Part Number	Description	Qty
1	91-01168-11	Electrical Control Panel Assembly (See Section 3.11)	1
2	12-00352-00	Transducer, Pressure, Suction/Discharge	2
3	22-02448-00SV	Connector Package, Female - Includes:	2
4	NSS	Connector, Female, Black, 3 Pin	1
5	22-50100-00	Terminal, Female (16-18 AWG)	3
6	22-50100-00	Terminal, Female (Covered By Item 3B)	6
7	68-62320-00	Cover, Relay Board, Painted	1
8	22-01585-02	Connector, Male, 2 Pin, Medium Gray	2
9	22-02392-01	Connector, Female, 2 Pin, Medium Gray	1
10	22-01585-00SK	Connector, Male, 2 Pin, Black	2
11	22-02392-00SV	Connector Kit, 2 Pin - Includes:	3
12	NSS	Connector, 2 Pin, Black	1
13	22-02393-01	Terminal, Male (18-20 AWG)	2
14	22-02394-01	Seal, Cable, Blue	2



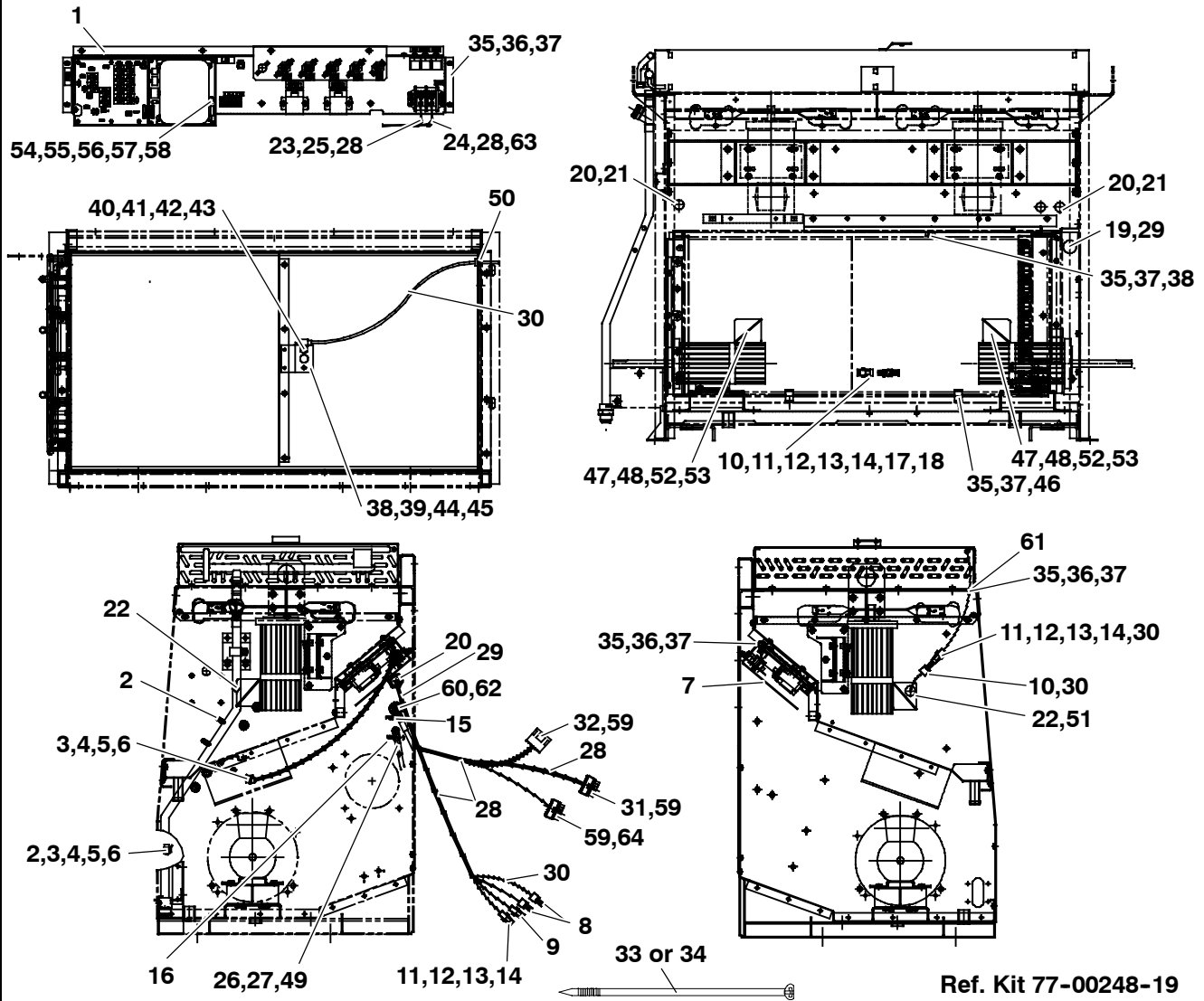
2.23 Electrical Components - 68RM50-101-63 (Continued)			
Item	Part Number	Description	Qty
15	62-62041-04	Label, Pos +	1
16	62-62041-05	Label, Neg -	1
17	22-02393-00	Terminal, Male (14-16 AWG)	2
18	22-02394-00	Seal, Cable, Gray	2
19	58-00065-88	Grommet, 1-3/8 Inch ID x 1-5/8 Inch Hole x 5/32 Inch Groove	1
20	22-02302-03	Connector, Straight, Conduit, Watertight, 3/4 Inch	3
21	22-02301-03	Tubing, Flexible, Spiral, Closed 0.75 Inch x 100 Feet Roll	1
22	22-02302-02	Connector, Straight, Conduit, Watertight, 1/2 Inch	1
23	58-62124-00	Tubing, Flexible, Spiral, Closed 1/2 Inch x 100 Feet Roll	1
24	68RM55-210-12	Cable Assembly, Battery, Red, #2 AWG x 50.00 Inches Long	1
25	68RM55-209-14	Cable Assembly, Battery, Black, #2 AWG x 50.00 Inches Long	1
26	34-06095-01	Stud, Battery Connection, 3/8-16 x 2.25 Inches Long	1
27	AT13QA241	Nut, Hex, 3/8-16, Brass	4
28	58-00848-00	Tubing, Split, Corrugated, 1/2 Inch ID x 25 Feet Long	1
29	58-00850-00	Tubing, Split, Corrugated, 0.92 Inch ID x 75 Feet Long	1
30	58-00858-00	Tubing, Split, Corrugated, 1/4 Inch ID x 25 Feet Long	1
31	22-01585-03	Connector, Male, 6 Pin, Black	1
32	22-02392-02	Connector, Female, 6 Pin	1
33	22-01565-01	Plug, Terminal Cavity	6
34	66U1-3882	Wire Tie, Self-Locking, 7.00 Inches, Black	5
35	AC701-301	Wire Tie, Self-Locking, 15.00 Inches, White	5
36	34-00655-06	Bolt, Hex Head, 1/4-20 x 3/4 Inch Long, SST	14
37	34-00662-11	Washer, Plain, 1/4, SST	6
38	34-00663-11	Washer, Split Lock, 1/4, SST	14
39	34-00373-03	Clamp, Tube, 3/8 OD, With Neoprene Cushion, SST	2
40	34-00662-08	Washer, Plain, #8, SST	1
41	68RM35-267	Thermistor Assembly - Includes:	1
42	12-00495-02SV	Thermistor Kit, Ambient (Replacement For 12-00305-04)	1
43	22-02394-00	Seal, Cable, Gray	2
44	22-02393-01	Terminal, Male (18-20 AWG)	2
45	34-06264-04	Screw, Hex Head, Slotted, #8-32 x 1/2 Inch Long, SST	1
46	34-00663-08	Washer, Split Lock, #8, SST	1
47	34-00373-13	Clamp, Tube, 1 Inch OD, With Neoprene Cushion, SST	2
48	34-50048-00	Screw, Pan Head, Phillips, #6-32 x 1/2 Inch Long, SST	2
49	34-00662-07	Washer, Plain, #6, SST	2
50	34-00938-13	Washer, Lock, Internal Tooth, 3/8, Brass	4
51	AC801-319	Grommet, 3/8 Inch Id, 17/32 Inch Hole, 1/8 Inch Groove	1
52	22-01584-00	Resistor, 420 Watts, With Mounting Bracket	1
53	62-62041-17	Label, DRI	1
54	22-00872-01	Terminal, Ring, #10	2
55	58-00065-85	Grommet, 7/8 Inch Id, 1-1/8 Inch Hole, 3/32 Inch Groove	1
56	22-62089-00	Harness, Remote (NFI) - Includes:	1
57	22-50145-00	Connector, Plug, 4 Pin	1
58	22-50152-00	Terminal, Female Receptacle (16-26 AWG)	4
59	22-50285-00	Seal, Cable, Green	4



2.23 Electrical Components - 68RM50-101-63 (Continued)			
Item	Part Number	Description	Qty
60	22-01566-01	Terminal, Female (18-20 AWG)	4
61	10-00315-00	Stud, Battery Connection, 3/8-16 X 2.07 Inches Long, Brass	1
62	44-00102-51	Clamp, Tube, 1/2 Inch OD, With Neoprene Cushion, SST	1
63	34-62001-00	Washer, Nylon, Red	1
64	62-62041-22	Label, ESR	1
65	58-01368-00	Tubing, Spiral, Corrugated, 1/2 Inch Closed Red (25 Feet Roll)	1
66	22-50099-00	Connector, Female, 6 Pin, Black	1
67	AC202-210	Tubing, Flexible, 1/2 Inch, Closed (25 Feet)	1



2.24 Electrical Components - 68RM50-101-64



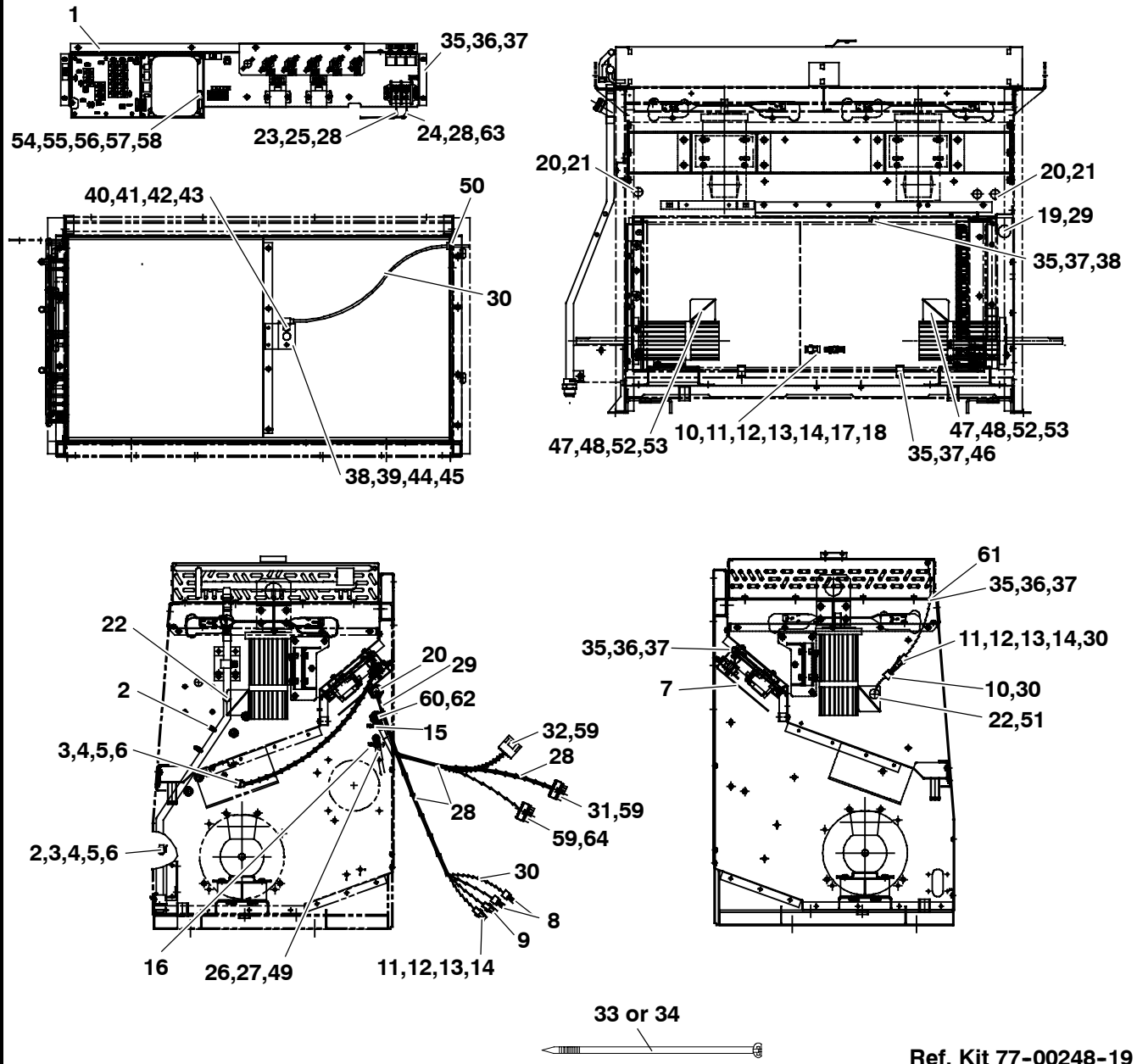
Item	Part Number	Description	Qty
1	91-01168-09	Electrical Control Panel Assembly (See Section 3.10)	1
2	12-00352-00	Transducer, Pressure, Suction/Discharge	2
3	22-02448-00SV	Connector Package, Female - Includes:	2
4	NSS	Connector, Female, Black, 3 Pin	1
5	22-50100-00	Terminal, Female (16-18 AWG)	3
6	22-50100-00	Terminal, Female (Covered By Item 3B)	6
7	68-62320-00	Cover, Relay Board, Painted	1
8	22-01585-02	Connector, Male, 2 Pin, Medium Gray	2
9	22-02392-01	Connector, Female, 2 Pin, Medium Gray	1
10	22-01585-00SK	Connector, Male, 2 Pin, Black	2
11	22-02392-00SV	Connector Kit, 2 Pin - Includes:	3
12	NSS	Connector, 2 Pin, Black	1
13	22-02393-01	Terminal, Male (18-20 AWG)	2
14	22-02394-01	Seal, Cable, Blue	2



2.24 Electrical Components - 68RM50-101-64 (Continued)			
Item	Part Number	Description	Qty
15	62-62041-04	Label, Pos +	1
16	62-62041-05	Label, Neg -	1
17	22-02393-00	Terminal, Male (14-16 AWG)	2
18	22-02394-00	Seal, Cable, Gray	2
19	58-00065-88	Grommet, 1-3/8 Inch ID x 1-5/8 Inch Hole x 5/32 Inch Groove	1
20	22-02302-03	Connector, Straight, Conduit, Watertight, 3/4 Inch	3
21	22-02301-03	Tubing, Flexible, Spiral, Closed 0.75 Inch x 100 Feet Roll	1
22	22-02302-02	Connector, Straight, Conduit, Watertight, 1/2 Inch	3
23	58-62124-00	Tubing, Flexible, Spiral, Closed 1/2 Inch x 100 Feet Roll, Black	1
24	68RM55-210-12	Cable Assembly, Battery, Red, #2 AWG x 50.00 Inches Long	1
25	68RM55-209-14	Cable Assembly, Battery, Black, #2 AWG x 50.00 Inches Long	1
26	34-06095-01	Stud, Battery Connection, 3/8-16 x 2.25 Inches Long	1
27	AT13QA241	Nut, Hex, 3/8-16, Brass	4
28	58-00848-00	Tubing, Split, Corrugated, 1/2 Inch ID x 25 Feet Long	1
29	58-00850-00	Tubing, Split, Corrugated, 0.92 Inch ID x 75 Feet Long	1
30	58-00858-00	Tubing, Split, Corrugated, 1/4 Inch ID x 25 Feet Long	1
31	22-01585-03	Connector, Male, 6 Pin	1
32	22-02392-02	Connector, Female, 6 Pin	1
33	66U1-3882	Wire Tie, Self-Locking, 7.00 Inches, Black	5
34	AC701-301	Wire Tie, Self-Locking, 15.00 Inches, White	5
35	34-00655-06	Bolt, Hex Head, 1/4-20 x 3/4 Inch Long, SST	14
36	34-00662-11	Washer, Plain, 1/4, SST	11
37	34-00663-11	Washer, Split Lock, 1/4, SST	14
38	34-00373-03	Clamp, Tube, 3/8 OD, With Neoprene Cushion, SST	2
39	34-00662-08	Washer, Plain, #8, SST	1
40	68RM35-267	Thermistor Assembly - Includes:	1
41	12-00495-02SV	Thermistor Kit, Ambient (Replacement For 12-00305-04)	1
42	22-02394-00	Seal, Cable, Gray	2
43	22-02393-01	Terminal, Male (18-20 AWG)	2
44	34-06264-04	Screw, Hex Head, Slotted, #8-32 x 1/2 Inch Long, SST	1
45	34-00663-08	Washer, Split Lock, #8, SST	1
46	34-00373-13	Clamp, Tube, 1 Inch OD, With Neoprene Cushion, SST	2
47	AC701-237	Connector, Romex To Box, 3/8 Inch	2
48	AC301-204	Hose, Valve-Kazoo, 1 Inch	1
49	34-00938-13	Washer, Lock, Internal Tooth, 3/8, Brass	4
50	AC801-319	Grommet, 3/8 Inch Id, 17/32 Inch Hole, 1/8 Inch Groove	1
51	58-00065-85	Grommet, 7/8 Inch Id, 1-1/8 Inch Hole, 3/32 Inch Groove	1
52	22-02126-03	Cap, Insulator, Electrical	8
53	22-02126-02	Cap, Insulator, Electrical	8
54	22-62089-00	Harness, Remote (NFI) - Includes:	1
55	22-50145-00	Connector, Plug, 4 Pin	1
56	22-50152-00	Terminal, Female Receptacle (16-26 AWG)	4
57	22-50285-00	Seal, Cable, Green	4
58	22-01566-01	Terminal, Female (18-20 AWG)	4



2.24 Electrical Components - 68RM50-101-64 (Continued)



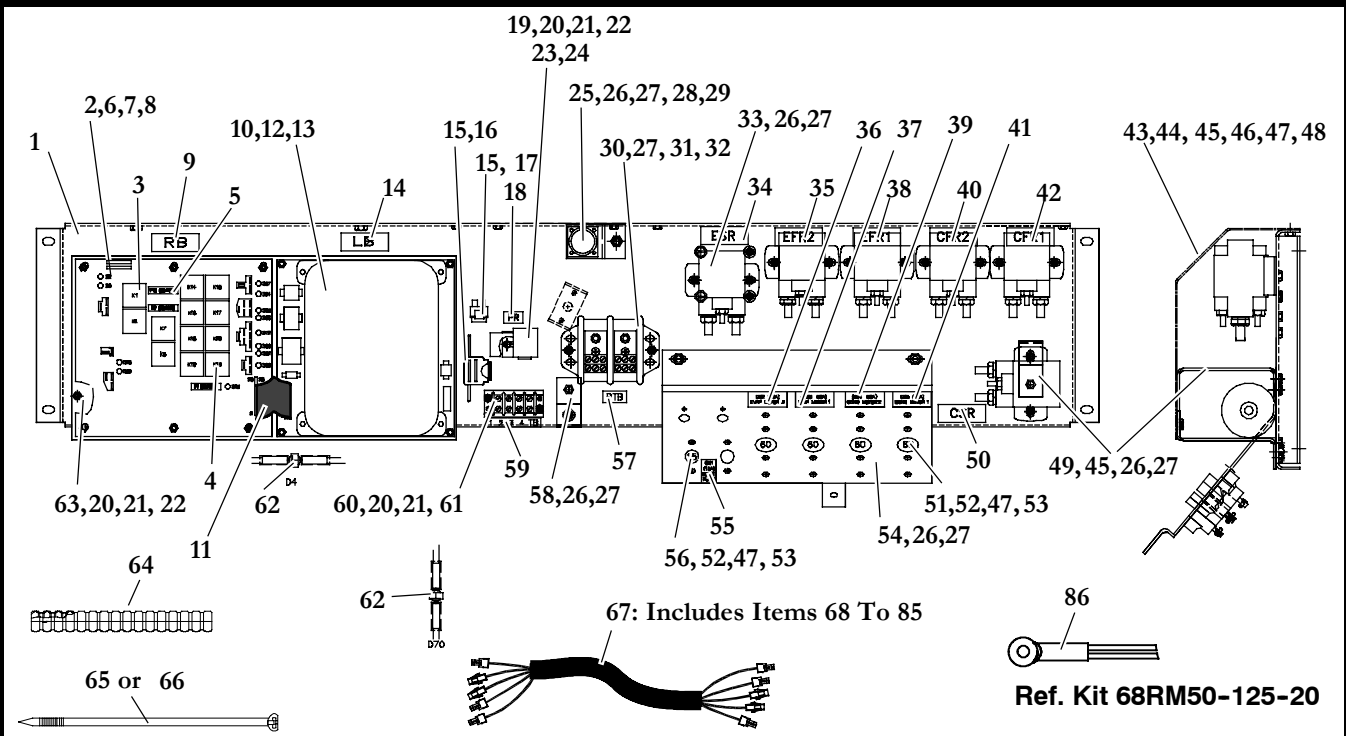
Ref. Kit 77-00248-19

Item	Part Number	Description	Qty
59	22-50078-55	Plug, Terminal Cavity	6
60	10-00315-00	Stud, Battery Connection, 3/8-16 X 2.07 Inches Long, Brass	1
61	44-00102-51	Clamp, Tube, 1/2 Inch OD, With Neoprene Cushion, SST	1
62	34-62001-00	Washer, Nylon, Red	1
63	58-01368-00	Tubing, Spiral, Corrugated, 1/2 Inch Closed Red (25 Feet Roll)	1
64	22-50099-00	Connector, Female, 6 Pin, Black	1
65	AC202-210	Tubing, Flexible, 1/2 Inch, Closed (25 Feet)	1



3 ELECTRICAL CONTROL PANELS

3.1 Electrical Control Panel - 68RM50-100-12



Ref. Kit 68RM50-125-20

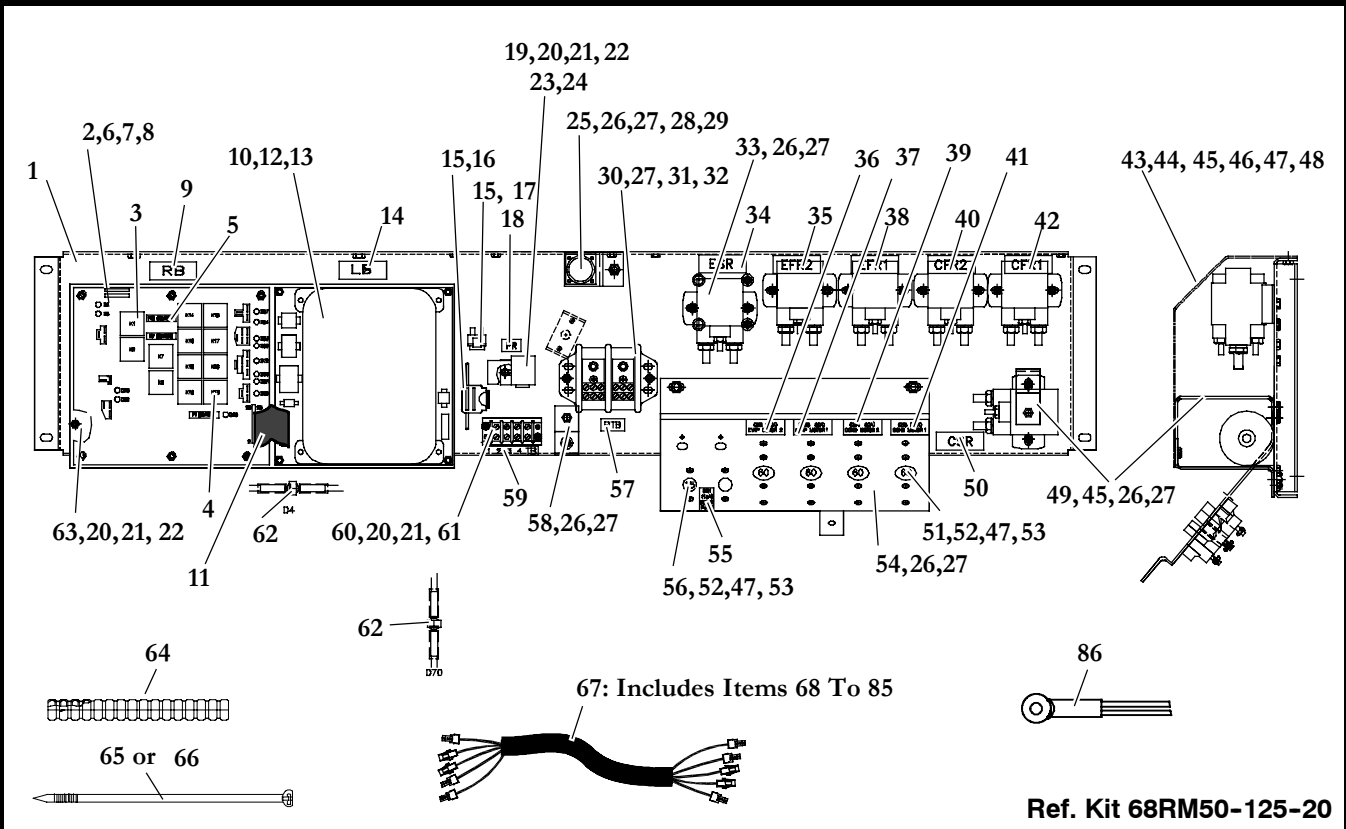
Item	Part Number	Description	Qty
1	68-62375-00	Panel Assembly, Electrical, Painted	1
2	12-00371-01	Board, Relay - Includes:	1
3	10-00286-11	Relay, 24 VDC, 40 Amp, SPDT	11
4	10-00286-12	Relay, 24 VDC, 40 Amp, SPDT (K13 Only)	1
5	22-02336-06	Fuse, 15 Amp	3
6	42-62005-00	Gasket, Relay Board	1
7	34-62000-00	Spacer, 5/16 Diameter x 1/2 Inch Long	6
8	58-00511-08	Washer, Nylon	10
9	62-62041-27	Label, RB	1
10	12-00392-15	Module, Controller Logic, 24VDC - Includes:	1
11	22-50236-00	Harness, Ribbon Cable, 26 Pin (Logic Module To Relay Board)	1
12	34-00360-09	Nut, Hex, Self-Locking, #10-32	10
13	34-62000-01	Spacer, 5/16 Diameter x 1/4 Inch Long	4
14	62-62041-24	Label, LB	1
15	22-02336-04	Fuse, 10 Amp	2
16	22-02338-02	Holder, Fuse	1
17	22-01449-00	Clip, Fuse	1
18	62-62041-25	Label, Power Relay	1
19	10-00286-09	Relay, 24VDC, 40 Amp, SPDT	1
20	34-00663-08	Washer, Split Lock, #8, SST	9
21	34-00662-08	Washer, Plain, #8, SST	9
22	34-06264-04	Screw, Hex Head Slotted, #08-32 x 1/2 Inch Long, SST	7
23	AC201-931	Lock, Connector, Secondary	1
24	AC201-901	Connector, Relay Socket	1



3.1 Electrical Control Panel - 68RM50-100-12 (Continued)			
Item	Part Number	Description	Qty
25	68RM40-1356P	Bracket, Deutsch Connector, Painted	1
26	34-62055-06	Bolt, Hex Head, 1/4-20 x 3/4 Inch Long, SST	16
27	34-06212-12	Washer, Plain, 1/4, SST	18
28	34-01305-03	Screw, Pan Head Phillips, #06-32 x 3/4 Inch Long, SST	4
29	34-00667-07	Nut, Hex, Self-Locking, #6-32, SST	4
30	22-01594-00	Terminal Block, Power	1
31	34-00663-11	Washer, Split Lock, 1/4, SST	2
32	34-00655-08	Bolt, Hex Head, 1/4-20 x 1 Inch Long, SST	2
33	10-00300-02	Contact, 28VDC, SPNO	6
34	62-62041-22	Label, ESR	1
35	62-62041-21	Label, EFR2	1
36	62-62043-01	Label, CB2 (60A) Evap Motor 2	1
37	62-62043-03	Label, CB3 (60A) Evap Motor 1	1
38	62-62041-20	Label, EFR1	1
39	62-62043-05	Label, CB4 (60A) Cond Motor 2	1
40	62-62041-13	Label, CFR2	1
41	62-62043-07	Label, CB5 (60A) Cond Motor 1	1
42	62-62041-11	Label, CFR1	1
43	68-62373-00	Cover, Electrical Panel, Painted	1
44	42-62015-00	Gasket, Electrical Panel	1
45	AC801-415	Gasket, Trimlok, Black x 18 Inches Long	1
46	66U1-5371-7	Screw, Hex Head Slotted, #10-24 x 1/2 Inch Long, SST	6
47	34-06212-10	Washer, Plain, #10, SST	16
48	34-00663-09	Washer, Split Lock, #10, SST	6
49	68RM50-187P	Bracket Assembly, Electrical Cover, Painted	1
50	62-62041-16	Label, CSR	1
51	10-00307-01	Circuit Breaker, 60 Amp	4
52	66U1-5371-10	Screw, Hex Head Slotted, #10-24 x 1 Inch Long, SST	10
53	34-00667-09	Nut, Hex, Self-Locking, #10-24, SST	10
54	68RM50-1082P	Bracket, Circuit Breaker, Painted	1
55	62-62044-00	Label, CB1(15A) Boost Pump	1
56	10-00247-03	Circuit Breaker, 15 Amp	1
57	62-62041-26	Label, PTB	1
58	68RM50-131P	Bracket Assembly, Electrical Cover, Painted	1
59	62-62040-04	Label, TB 1-4	1
60	22-01563-05	Terminal Block, 4 Pole	1
61	34-06179-02	Bolt, Hex Head Slotted, SEMS, #10-24 x 3/4 Inch Long, SST	2
62	AC090-190-8	Diode Assembly, 14/16 Gauge, Uninsulated	2
63	68RM40-157P	Panel Assembly, Relay Board & Logic Module, Painted	1
64	58-00850-00	Tubing, 0.92 Inch ID x 75.00 Feet Long, Black	1
65	66U1-3882	Wire Tie, Self-Locking, 7 Inches, Black	60



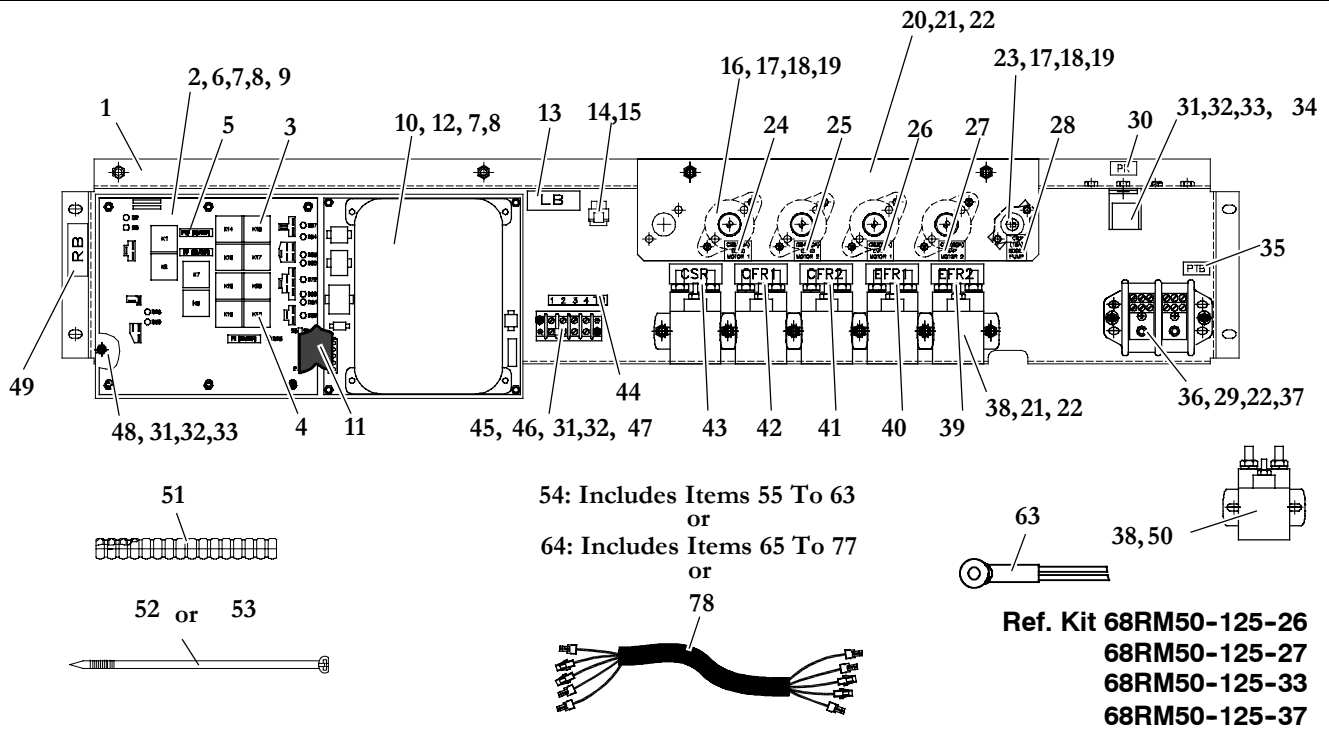
3.1 Electrical Control Panel - 68RM50-100-12 (Continued)



Item	Part Number	Description	Qty
66	AC701-301	Wire Tie, Self-Locking, 15 Inches, White	4
67	22-62065-00	Wire Harness, Wound Field Motors - Includes:	1
68	22-50144-00	Connector, 4 Position (J1)	1
69	22-50145-00	Connector, 4 Position (J2)	1
70	22-50146-00	Connector, 9 Position (J3)	1
71	22-50143-00	Connector, 15 Position (J4)	1
72	CM983-618	Connector, 24 Position (J6)	1
73	22-50135-00	Connector, Female, 3 Position (JP3) (JP7)	2
74	22-50136-00	Connector, Female, 6 Position (JP4)	1
75	22-50137-00	Connector, Female, 5 Position (JP5)	1
76	22-50138-00	Connector, Female, 4 Position (JP6)	1
77	22-50134-00	Connector, Female, 2 Position (JP8)	1
78	22-50275-00	Connector, Female, 3 Position (JP9)	1
79	22-01660-03	Connector, Deutch, 5 Position (Service Port)	1
80	22-50153-00	Terminal, Socket, Female (J1)	2
81	22-50152-00	Terminal, Socket, Female (J2,J3,J4,J6)	17
82	22-50148-00	Terminal, Female (JP3 Thru JP9)	24
83	22-02393-01	Terminal, Male (18-20 AWG)	2
84	22-01613-14	Terminal, Deutch, #16	4
85	22-50122-05	Terminal, Female (J1)	7
86	12-00495-02SV	Thermistor Sensor Kit, Return Air (Replacement For 12-00305-04)	1



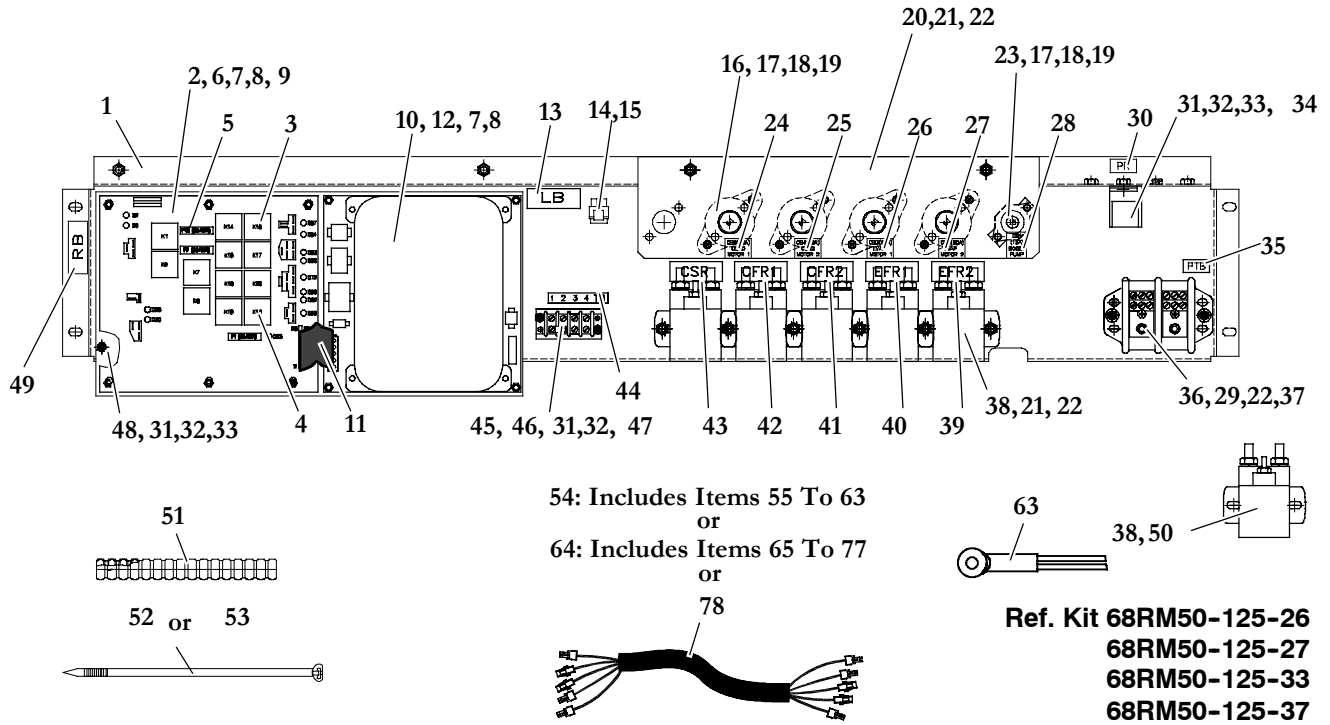
3.2 Electrical Control Panels - 68RM50-100-14, 101-16, -18, -24, -31, -33



Item	Part Number	Description	Qty
1	68-62603-00	Panel Assembly, Electrical, Painted	1
2	12-00371-01	Board, Relay - Includes:	1
3	10-00286-11	Relay, 24 VDC, 40 Amp, SPDT	11
4	10-00286-12	Relay, 24 VDC, 40 Amp, SPDT (K13 Only)	1
5	22-02336-06	Fuse, 15 Amp	3
6	34-62000-00	Spacer, 5/16 Diameter x 1/2 Inch Long	6
7	58-00511-08	Washer, Nylon	10
8	34-00360-09	Nut, Hex, Self-Locking, #10-32	10
9	42-62005-00	Gasket, Relay Board	1
10	12-00392-15	Module, Controller Logic, 24VDC - Includes:	1
11	22-50236-00	Harness, Ribbon Cable, 26 Pin (Logic Module To Relay Board)	1
12	34-62000-01	Spacer, 5/16 Diameter x 1/4 Inch Long	4
13	62-62041-24	Label, LB	1
14	22-02336-04	Fuse, 10 Amp	1
15	22-01449-00	Clip, Fuse	1
16	10-00307-01	Circuit Breaker, 60 Amp	4
17	66U1-5371-10	Screw, Hex Head Slotted, #10-24 x 1 Inch Long, SST	10
18	34-06212-10	Washer, Plain, #10, SST	10
19	34-00667-09	Nut, Hex, Self-Locking, #10-24, SST	10
20	68-62604-00	Panel, Circuit Breaker, Painted	1
21	34-62055-00	Bolt, Hex Head, W/Split Lock Washer, 1/4-20 x 5/8 Inch Long, SST	6
22	34-06212-12	Washer, Plain, 1/4, SST	8
23	10-00247-03	Circuit Breaker, 15 Amp	1
24	62-62043-07	Label, CB5 (60A) Cond Motor 1	1
25	62-62043-05	Label, CB4 (60A) Cond Motor 2	1



3.2 Electrical Control Panels - 68RM50-100-14, 101-16, -18, -24, -31, -33 (Continued)



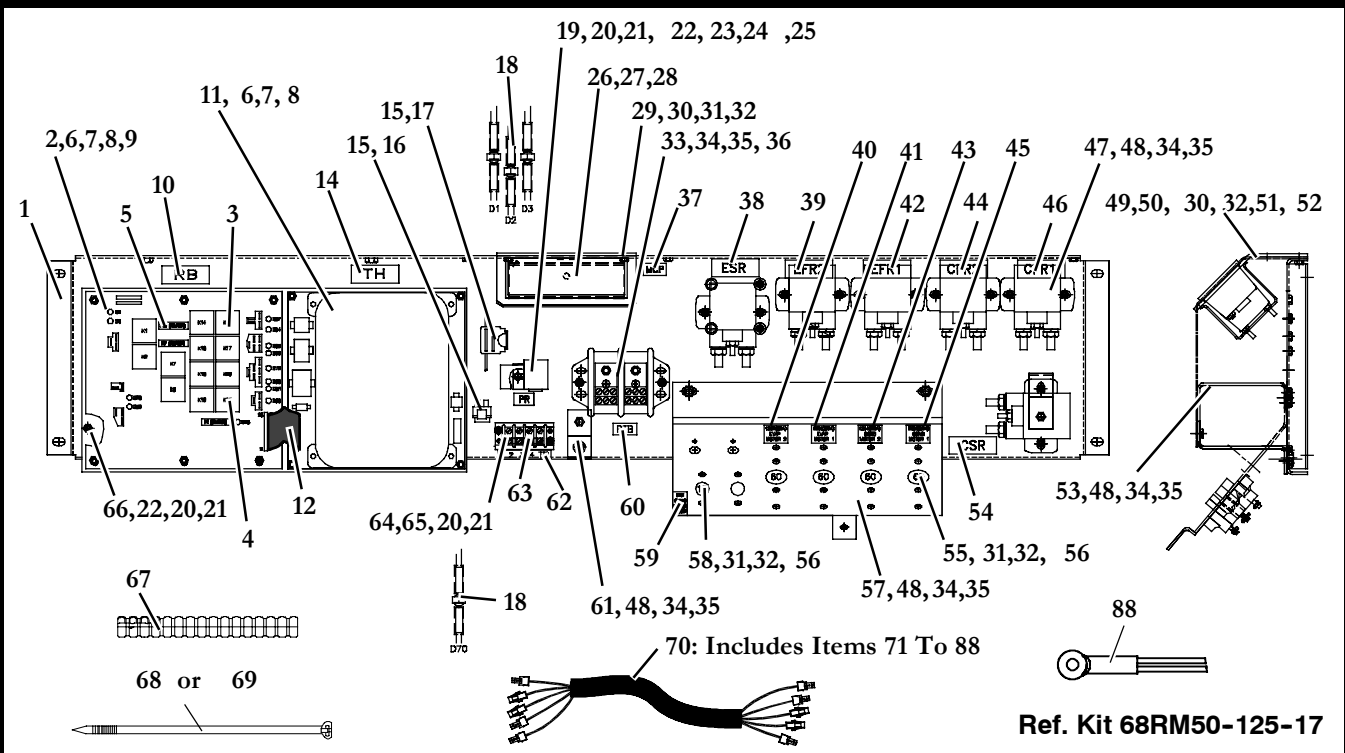
Item	Part Number	Description	Qty
26	62-62043-03	Label, CB3 (60A) Evap Motor 1	1
27	62-62043-01	Label, CB2 (60A) Evap Motor 2	1
28	62-62044-00	Label, CB1 (15A) Boost Pump	1
29	34-00655-08	Bolt, Hex Head, 1/4-20 x 1 Inch Long, SST	2
30	62-62041-25	Label, Power Relay	1
31	34-00662-08	Washer, Plain, #8, SST	11
32	34-00663-08	Washer, Split Lock, #8, SST	11
33	34-06264-04	Screw, Hex Head Slotted, #08-32 x 1/2 Inch Long, SST	9
34	10-00286-09	Relay, 24VDC, 40 Amp, SPDT	1
35	62-62041-26	Label, PTB	1
36	22-01594-00	Terminal Block, Power	1
37	34-00663-11	Washer, Split Lock, 1/4, SST	2
38	10-00300-02	Contactator, 28VDC, SPNO	6
39	62-62041-21	Label, EFR2	1
40	62-62041-20	Label, EFR1	1
41	62-62041-13	Label, CFR2	1
42	62-62041-11	Label, CFR1	1
43	62-62041-16	Label, CSR	1
44	62-62040-04	Label, TB 1-4	1
45	22-01563-05	Terminal Block, 4 Pole	1
46	22-01612-00	Jumper, Terminal Block	1
47	34-06264-06	Screw, Hex Head Slotted, #08-32 x 3/4 Inch Long, SST	2
48	68RM40-157P	Panel Assembly, Relay Board & Logic Module, Painted	1
49	62-62041-27	Label, RB	1



3.2 Electrical Control Panels - 68RM50-100-14, 101-16, -18, -24, -31, -33 (Continued)			
Item	Part Number	Description	Qty
50	22-00121-27	Terminal, Ring, #10, 18 Gauge, Red Nylon	2
51	58-00850-00	Tubing, 0.92 Inch ID x 75.00 Feet Long, Black	1
52	66U1-3882	Wire Tie, Self-Locking, 7 Inches, Black	40
53	AC701-301	Wire Tie, Self-Locking, 15 Inches, White	7
54	22-62076-00	Harness, Control (PM & WF) - Includes:	1
55	22-50144-00	Connector, Housing Kit, 4 Position (J1)	1
56	22-50153-00	Terminal, Socket, Female (J1)	4
57	CM983-618	Connector, 24 Position (J6)	1
58	22-50152-00	Terminal, Socket, Female (J6)	24
59	22-50135-00	Connector, Female, 3 Position (J7)	1
60	22-50148-00	Terminal, Female (J7, J8 & J9)	8
61	22-50134-00	Connector, Female, 2 Position (J8)	1
62	22-50275-00	Connector, Female, 3 Position (J9)	1
63	12-00495-02SV	Thermistor Sensor Kit, Return Air (Replacement For 12-00305-04)	1
64	22-62084-00	Harness, Interface (68RM50-100-14 Only) - Includes:	1
	22-62082-00	Harness, Interface (68RM50-101-16, -18, -24, -31) - Includes:	
	22-62150-00	Harness, Interface (68RM50-101-33 Only) - Includes:	
65	22-50146-00	Connector, 9 Position (J3)	1
66	22-50143-00	Connector, 15 Position (J4)	1
67	22-50136-00	Connector, Female, 6 Position (JP4)	1
68	22-50137-00	Connector, Female, 5 Position (JP5)	1
69	22-50138-00	Connector, Female, 4 Position (JP6)	1
70	22-02392-00SV	Connector Kit, 2 Pin (WPF) - Includes:	3
71	NSS	Connector, 2 Pin, Black	1
72	22-02393-01	Terminal, Male (18-20 AWG)	2
73	22-02394-01	Seal, Cable, Blue	2
74	22-50152-00	Terminal, Socket, Female (J3 & J4)	A/R
75	22-50148-00	Terminal, Female (JP3 Thru JP6)	A/R
76	22-02393-01	Terminal, Male (18-20 AWG)	A/R
77	22-01566-01	Terminal, Female (18-20 AWG)	A/R
78	22-62079-00	Harness, Power (WF)	1



3.3 Electrical Control Panel - 68RM50-101-10



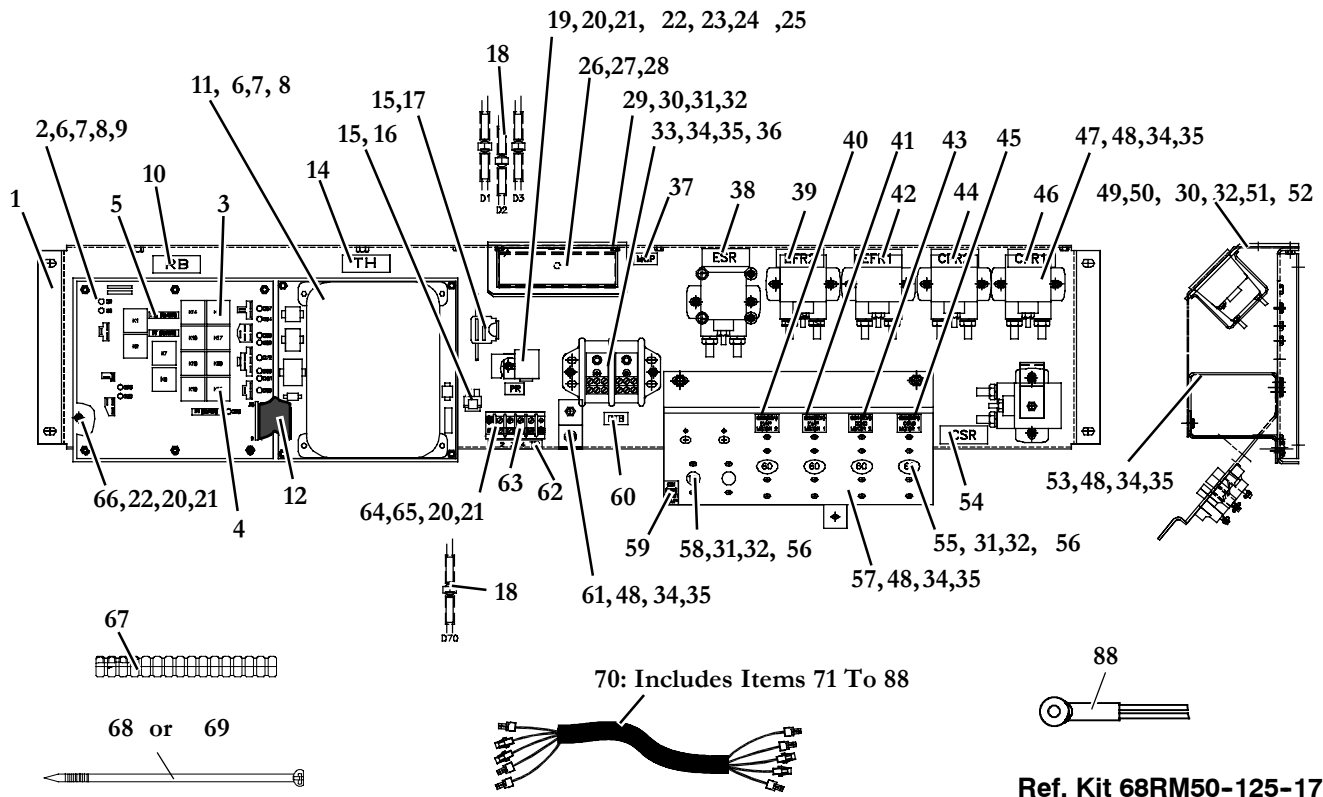
Item	Part Number	Description	Qty
1	68-62375-00	Panel Assembly, Electrical, Painted	1
2	12-00371-01	Board, Relay - Includes:	1
3	10-00286-11	Relay, 24 VDC, 40 Amp, SPDT	11
4	10-00286-12	Relay, 24 VDC, 40 Amp, SPDT (K13 Only)	1
5	22-02336-06	Fuse, 15 Amp	3
6	34-62000-00	Spacer, 5/16 Diameter x 1/2 Inch Long	10
7	58-00511-08	Washer, Nylon	10
8	34-00360-09	Nut, Hex, Self-Locking, #10-32	10
9	42-62005-00	Gasket, Relay Board	1
10	62-62041-27	Label, RB	1
11	12-00392-15	Module, Controller Logic, 24VDC - Includes:	1
12	22-50236-00	Harness, Ribbon Cable, 26 Pin (Logic Module To Relay Board)	1
13	34-62000-01	Spacer, 5/16 Diameter x 1/4 Inch Long	4
14	62-62041-28	Label, TH	1
15	22-02336-04	Fuse, 10 Amp	2
16	22-01449-00	Clip, Fuse	1
17	22-02338-02	Holder, Fuse	1
18	AC090-190-8	Diode Assembly, 14/16 Gauge, Uninsulated	4
19	10-00286-09	Relay, 24VDC, 40 Amp, SPDT	1
20	34-00663-08	Washer, Split Lock, #8, SST	9
21	34-00662-08	Washer, Plain, #8, SST	9
22	34-06264-04	Screw, Hex Head Slotted, #08-32 x 1/2 Inch Long, SST	7
23	AC201-931	Lock, Connector, Secondary	1
24	AC201-901	Connector, Relay Socket	1
25	62-62041-25	Label, Power Relay	1



3.3 Electrical Control Panel - Model 68RM50-101-10 (Continued)			
Item	Part Number	Description	Qty
26	12-00391-03	Module, Micromate Control	1
27	68-62125-00	Clamp, Retaining, Control Module, Painted	1
28	34-00667-07	Nut, Hex, Self-Locking, #8-32, SST	1
29	68-62372-00	Bracket, Mounting, Micromate Control Module	1
30	66U1-5371-7	Screw, Hex Head Slotted, #10-24 x 1/2 Inch Long, SST	8
31	66U1-5371-10	Screw, Hex Head Slotted, #10-24 x 1 Inch Long, SST	10
32	34-06212-10	Washer, Plain, #10, SST	18
33	22-01594-00	Terminal Block, Power	1
34	34-06212-12	Washer, Plain, 1/4, SST	17
35	34-00663-11	Washer, Split Lock, 1/4, SST	17
36	34-00655-08	Bolt, Hex Head, 1/4-20 x 1 Inch Long, SST	2
37	62-62007-00	Label, MCP	1
38	62-62041-22	Label, ESR	1
39	62-62041-21	Label, EFR2	1
40	62-62043-01	Label, CB2 (60A) Evap Motor 2	1
41	62-62043-03	Label, CB3 (60A) Evap Motor 1	1
42	62-62041-20	Label, EFR1	1
43	62-62043-05	Label, CB4 (60A) Cond Motor 2	1
44	62-62041-13	Label, CFR2	1
45	62-62043-07	Label, CB5 (60A) Cond Motor 1	1
46	62-62041-11	Label, CFR1	1
47	10-00300-02	Contact, 28VDC, SPNO	6
48	34-00655-06	Bolt, Hex Head, 1/4-20 x 3/4 Inch Long, SST	15
49	68-62373-00	Cover, Electrical Panel, Painted	1
50	42-62015-00	Gasket, Electrical Panel	1
51	34-00663-09	Washer, Split Lock, #10, SST	8
52	AC801-415	Gasket, Trimlok, Black x 18 Inches Long	1
53	68RM50-187P	Bracket Assembly, Electrical Cover, Painted	1
54	62-62041-16	Label, CSR	1
55	10-00307-01	Circuit Breaker, 60 Amp	4
56	34-00667-09	Nut, Hex, Self-Locking, #10-24, SST	10
57	68RM50-1082P	Bracket, Circuit Breaker, Painted	1
58	10-00247-03	Circuit Breaker, 15 Amp	1
59	62-62044-00	Label, CB1 (15A) Boost Pump	1
60	62-62041-26	Label, PTB	1
61	68RM50-131P	Bracket Assembly, Electrical Cover, Painted	1
62	62-62040-04	Label, TB 1-4	1
63	22-01612-00	Jumper, Terminal Block	3
64	22-01563-05	Terminal Block, 4 Pole	1
65	34-06179-02	Bolt, Hex Head Slotted, SEMS, #10-24 x 3/4 Inch Long, SST	2



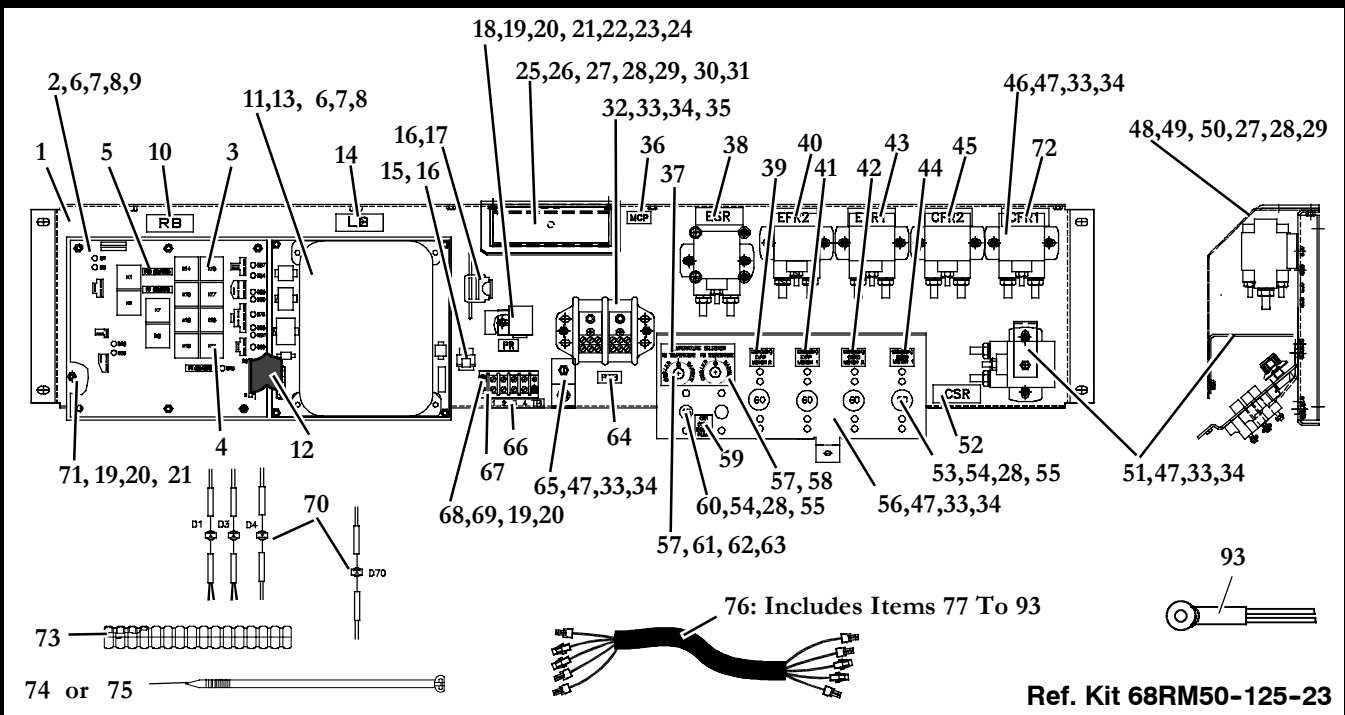
3.3 Electrical Control Panel - Model 68RM50-101-10 (Continued)



Item	Part Number	Description	Qty
66	68RM40-157P	Panel Assembly, Relay Board & Logic Module, Painted	1
67	58-00850-00	Tubing, 0.92 Inch ID x 75.00 Feet Long, Black	1
68	66U1-3882	Wire Tie, Self-Locking, 7 Inches, Black	60
69	AC701-301	Wire Tie, Self-Locking, 15 Inches, White	4
70	68RM50-126-19	Wire Harness, Heat/Cool, Wound Field Motors - Includes:	1
71	22-50144-00	Connector, 4 Position (J1)	1
72	22-50145-00	Connector, 4 Position (J2)	1
73	22-50146-00	Connector, 9 Position (J3)	1
74	22-50143-00	Connector, 15 Position (J4)	1
75	CM983-618	Connector, 24 Position (J6)	1
76	22-50135-00	Connector, Female, 3 Position (JP3) (JP7)	2
77	22-50136-00	Connector, Female, 6 Position (JP4)	1
78	22-50137-00	Connector, Female, 5 Position (JP5)	1
79	22-50138-00	Connector, Female, 4 Position (JP6)	1
80	22-50134-00	Connector, Female, 2 Position (JP8)	1
81	22-50275-00	Connector, Female, 3 Position (JP9)	1
82	22-62026-00	Connector, 6 Position (MCP)	1
83	22-50153-00	Terminal, Socket, Female (J1)	2
84	22-50152-00	Terminal, Socket, Female (J2,J3,J4,J6)	26
85	22-50148-00	Terminal, Female (JP3 Thru JP9)	22
86	22-02393-00	Terminal, Male (14-16 AWG) (WPM) (J4)	2
87	22-01566-00	Terminal, Female (J4, J6, JP4, JP5, JP6)	14
88	12-00495-02SV	Thermistor Sensor Kit, Return Air (Replacement For 12-00305-04)	1



3.4 Electrical Control Panel - 68RM50-101-13

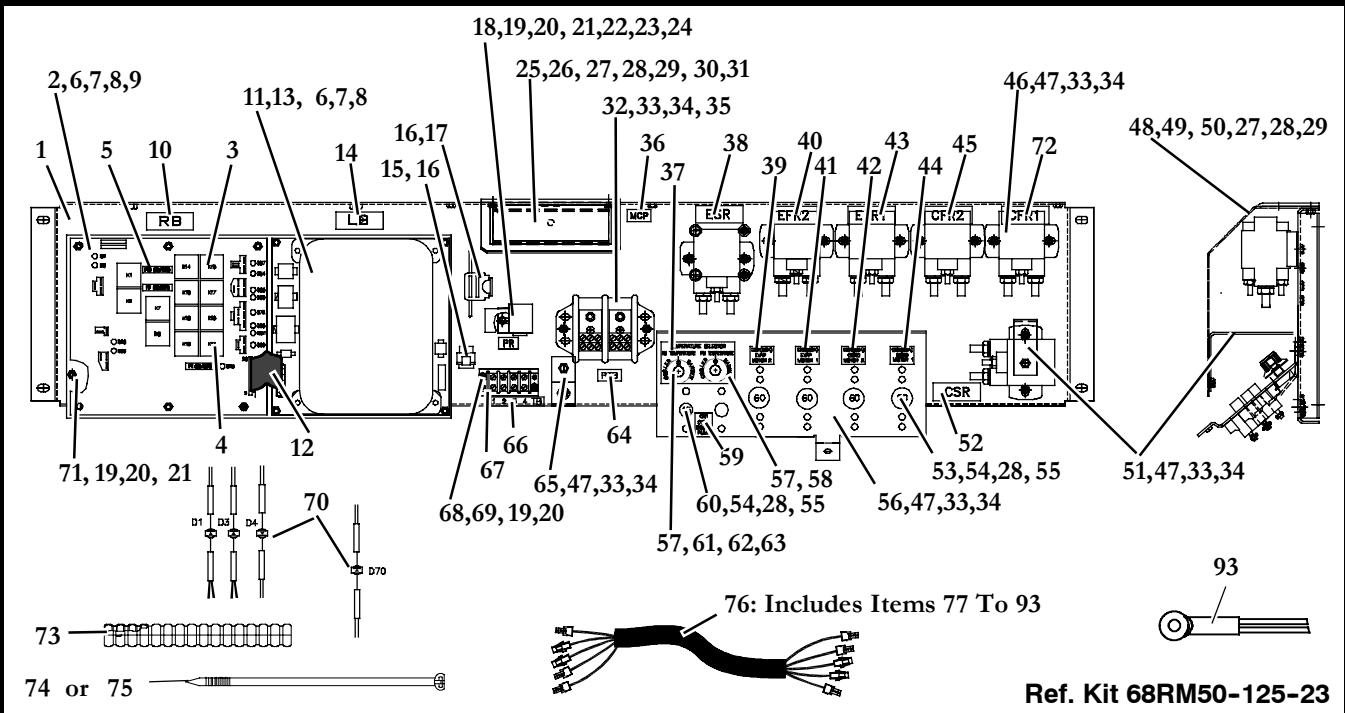


Ref. Kit 68RM50-125-23

Item	Part Number	Description	Qty
1	68-62375-00	Panel Assembly, Electrical, Painted	1
2	12-00371-01	Board, Relay - Includes:	1
3	10-00286-11	Relay, 24 VDC, 40 Amp, SPDT	11
4	10-00286-12	Relay, 24 VDC, 40 Amp, SPDT (K13 Only)	1
5	22-02336-06	Fuse, 15 Amp	3
6	34-62000-00	Spacer, 5/16 Diameter x 1/2 Inch Long	6
7	58-00511-08	Washer, Nylon	10
8	34-00360-09	Nut, Hex, Self-Locking, #10-32	10
9	42-62005-00	Gasket, Relay Board	1
10	62-62041-27	Label, RB	1
11	12-00392-15	Module, Controller Logic, 24VDC - Includes:	1
12	22-50236-00	Harness, Ribbon Cable, 26 Pin (Logic Module To Relay Board)	1
13	34-62000-01	Spacer, 5/16 Diameter x 1/4 Inch Long	4
14	62-62041-24	Label, LB	1
15	22-01449-00	Clip, Fuse	1
16	22-02336-04	Fuse, 10 Amp	2
17	22-02338-02	Holder, Fuse	1
18	10-00286-09	Relay, 24VDC, 40 Amp, SPDT	1
19	34-00663-08	Washer, Split Lock, #8, SST	9
20	34-00662-08	Washer, Plain, #8, SST	9
21	34-06264-04	Screw, Hex Head Slotted, #08-32 x 1/2 Inch Long, SST	7
22	AC201-931	Lock, Connector, Secondary	1
23	AC201-901	Connector, Relay Socket	1
24	62-62041-25	Label, Power Relay	1
25	68-62372-00	Bracket, Mounting, Micromate Control Module	1
26	12-00391-03	Module, Micromate Control	1



3.4 Electrical Control Panel - 68RM50-101-13 (Continued)



Ref. Kit 68RM50-125-23

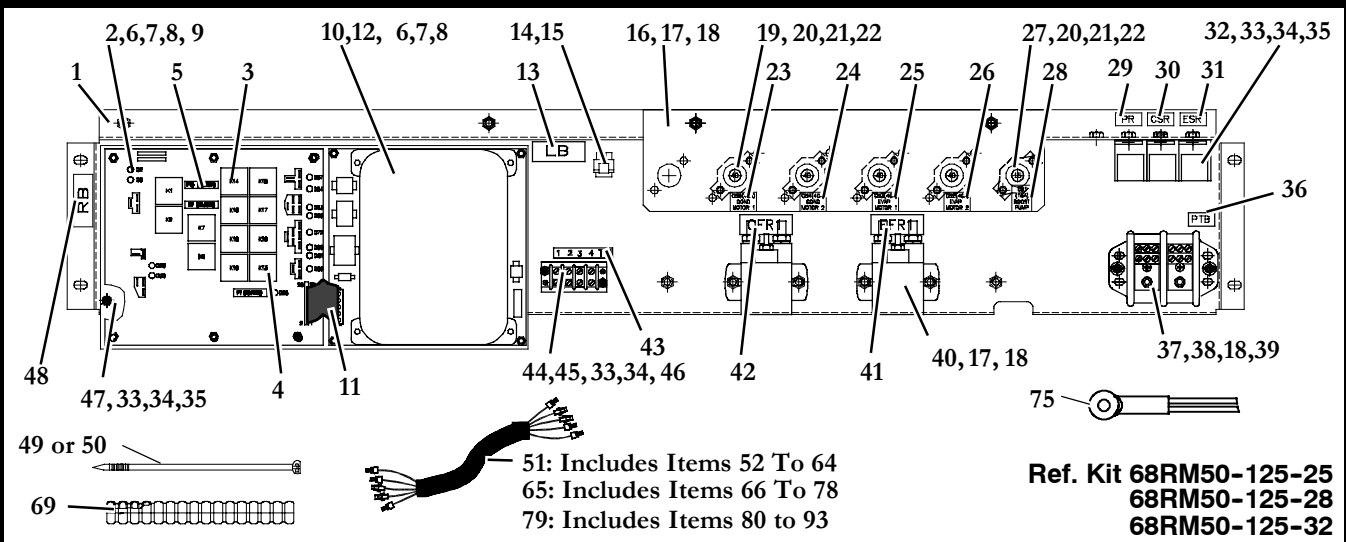
Item	Part Number	Description	Qty
27	66U1-5371-7	Screw, Hex Head Slotted, #10-24 x 1/2 Inch Long, SST	8
28	34-06212-10	Washer, Plain, #10, SST	18
29	34-00663-09	Washer, Split Lock, #10, SST	8
30	68-62125-00	Clamp, Retaining, Control Module, Painted	1
31	34-00667-07	Nut, Hex, Self-Locking, #8-32, SST	1
32	22-01594-00	Terminal Block, Power	1
33	34-06212-12	Washer, Plain, 1/4, SST	17
34	34-00663-11	Washer, Split Lock, 1/4, SST	17
35	34-00655-08	Bolt, Hex Head, 1/4-20 x 1 Inch Long, SST	2
36	62-62007-00	Label, MCP	1
37	68RM50-1080	Label, AM/PM Temperature Selector	1
38	62-62041-22	Label, ESR	1
39	62-62043-01	Label, CB2 (60A) Evap Motor 2	1
40	62-62041-21	Label, EFR2	1
41	62-62043-03	Label, CB3 (60A) Evap Motor 1	1
42	62-62043-05	Label, CB4 (60A) Cond Motor 2	1
43	62-62041-20	Label, EFR1	1
44	62-62043-07	Label, CB5 (60A) Cond Motor 1	1
45	62-62041-13	Label, CFR2	1
46	10-00300-02	Contactora, 28VDC, SPNO	6
47	34-00655-06	Bolt, Hex Head, 1/4-20 x 3/4 Inch Long, SST	15
48	68-62373-00	Cover, Electrical Panel, Painted	1
49	42-62015-00	Gasket, Electrical Panel	1
50	AC801-415	Gasket, Trimlok, Black x 18 Inches Long	1
51	68RM50-187P	Bracket Assembly, Electrical Cover, Painted	1
52	62-62041-16	Label, CSR	1



3.4 Electrical Control Panel - 68RM50-101-13 (Continued)			
Item	Part Number	Description	Qty
53	10-00307-01	Circuit Breaker, 60 Amp	4
54	66U1-5371-10	Screw, Hex Head Slotted, #10-24 x 1 Inch Long, SST	10
55	34-00667-09	Nut, Hex, Self-Locking, #10-24, SST	10
56	68RM50-1082P	Bracket, Circuit Breaker, Painted	1
57	22-62074-00	Temperature Selector Assembly, AM	1
58	22-62074-01	Temperature Selector Assembly, PM	1
59	62-62044-00	Label, CB1 (15A) Boost Pump	1
60	10-00247-03	Circuit Breaker, 15 Amp	1
61	10-00312-00	Knob, Temperature Selector, AM, PM	2
62	AC201-244	Terminal, Butt Connector, Crimp & Seal, 14/16 Gauge	3
63	AC202-209	Tubing, Heat Shrink, 3/16, With Adhesive	1
64	62-62041-26	Label, PTB	1
65	68RM50-131P	Bracket Assembly, Electrical Cover, Painted	1
66	62-62040-04	Label, TB 1-4	1
67	22-01612-00	Jumper, Terminal Block	1
68	22-01563-05	Terminal Block, 4 Pole	1
69	34-06179-02	Bolt, Hex Head Slotted, SEMS, #10-24 x 3/4 Inch Long, SST	2
70	AC090-190-8	Diode Assembly, 14/16 Gauge, Uninsulated	4
71	68RM40-157P	Panel Assembly, Relay Board & Logic Module, Painted	1
72	62-62041-11	Label, CFR1	1
73	58-00850-00	Tubing, 0.92 Inch ID x 75.00 Feet Long, Black	1
74	66U1-3882	Wire Tie, Self-Locking, 7 Inches, Black	60
75	AC701-301	Wire Tie, Self-Locking, 15 Inches, White	4
76	22-62073-00	Wire Harness, Wound Field Motors - Includes:	1
77	22-50144-00	Connector, 4 Position (J1)	1
78	22-50145-00	Connector, 4 Position (J2)	1
79	22-50146-00	Connector, 9 Position (J3)	1
80	22-50143-00	Connector, 15 Position (J4)	1
81	CM983-618	Connector, 24 Position (J6)	1
82	22-50135-00	Connector, Female, 3 Position (JP3) (JP7)	2
83	22-50136-00	Connector, Female, 6 Position (JP4)	1
84	22-50137-00	Connector, Female, 5 Position (JP5)	1
85	22-50138-00	Connector, Female, 4 Position (JP6)	1
86	22-50134-00	Connector, Female, 2 Position (JP8)	1
87	22-50275-00	Connector, Female, 3 Position (JP9)	1
88	22-62026-00	Connector, 6 Position (MCP)	1
89	22-50153-00	Terminal, Socket, Female (J1)	2
90	22-50152-00	Terminal, Socket, Female (J2,J3,J4,J6,MCP)	27
91	22-50148-00	Terminal, Female (JP3 Thru JP9)	24
92	22-02393-01	Terminal, Male (18-20 AWG)	2
93	12-00495-02SV	Thermistor Sensor Kit, Return Air (Replacement For 12-00305-04)	1



3.5 Electrical Control Panel - 68RM50-100-16, 101-15, -19, -21, -23, -25, -26, -27, -28, -29, -34



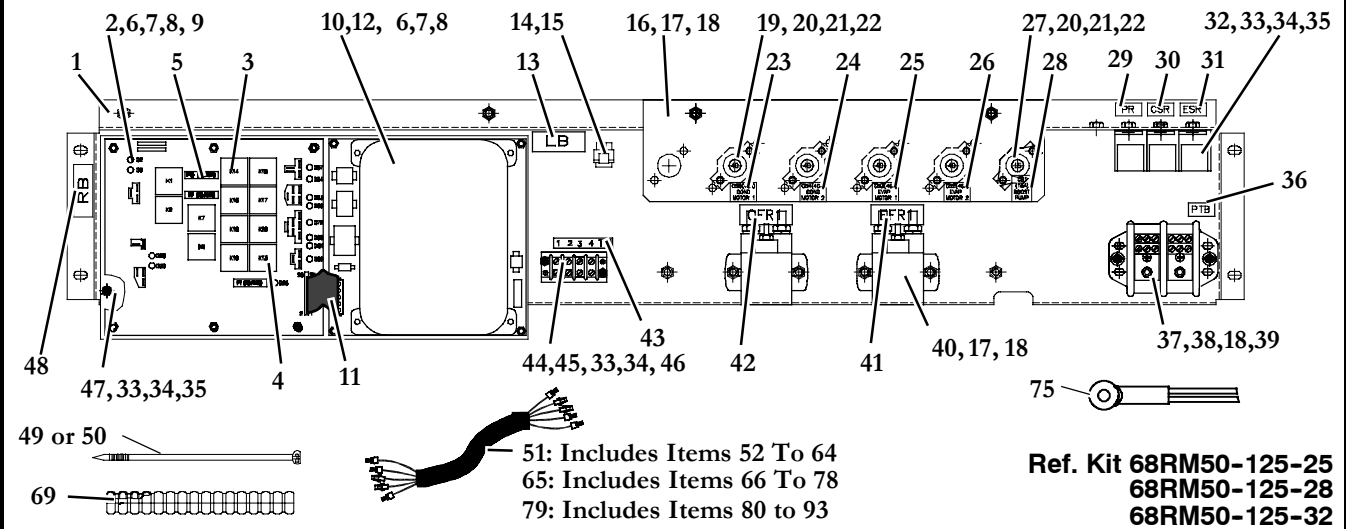
Item	Part Number	Description	Qty
1	68-62603-00	Panel Assembly, Electrical, Painted	1
2	12-00371-01	Board, Relay - Includes:	1
3	10-00286-11	Relay, 24 VDC, 40 Amp, SPDT	11
4	10-00286-12	Relay, 24 VDC, 40 Amp, SPDT (K13 Only)	1
5	22-02336-06	Fuse, 15 Amp	3
6	34-62000-00	Spacer, 5/16 Diameter x 1/2 Inch Long	6
7	58-00511-08	Washer, Nylon	10
8	34-00360-09	Nut, Hex, Self-Locking, #10-32	10
9	42-62005-00	Gasket, Relay Board	1
10	12-00392-15	Module, Controller Logic, 24VDC (68RM50-101-15, -19, -23, -26, -27, -28, -29, -34) - Includes:	1
	12-00392-16	Module, Controller Logic, 24VDC (68RM50-100-16, 101-21) - Includes:	
11	22-50236-00	Harness, Ribbon Cable, 26 Pin (Logic Module To Relay Board)	1
12	34-62000-01	Spacer, 5/16 Diameter x 1/4 Inch Long	4
13	62-62041-24	Label, LB	1
14	22-02336-04	Fuse, 10 Amp	1
15	22-01449-00	Clip, Fuse	1
16	68-62604-00	Panel, Circuit Breaker, Painted	1
17	34-62055-00	Bolt, Hex Head, W/Split Lock Washer, 1/4-20 x 5/8 Inch Long, SST	6
18	34-06212-12	Washer, Plain, 1/4, SST	8
19	10-00247-05	Circuit Breaker, 40 Amp	4
20	66U1-5371-10	Screw, Hex Head Slotted, #10-24 x 1 Inch Long, SST	10
21	34-06212-10	Washer, Plain, #10, SST	10
22	34-00667-09	Nut, Hex, Self-Locking, #10-24, SST	10
23	62-62043-06	Label, CB5 (40A) Cond Motor 1	1
24	62-62043-04	Label, CB4 (40A) Cond Motor 2	1
25	62-62043-02	Label, CB3 (40A) Evap Motor 1	1
26	62-62043-00	Label, CB2 (40A) Evap Motor 2	1
27	10-00247-03	Circuit Breaker, 15 Amp	1
28	62-62044-00	Label, CB1 (15A) Boost Pump	1
29	62-62041-25	Label, Power Relay	1



3.5 Electrical Control Panel - 68RM50-100-16, 101-15, -19, -21, -23, -25, -26, -27, -28, -29, -34 (Continued)			
Item	Part Number	Description	Qty
30	62-62041-16	Label, CSR	1
31	62-62041-22	Label, ESR (68RM50-101-19, 101-21, 101-23 Only)	1
32	10-00286-09	Relay, 24VDC, 40 Amp, SPDT	A/R
33	34-00662-08	Washer, Plain, #8, SST	11
34	34-00663-08	Washer, Split Lock, #8, SST	11
35	34-06264-04	Screw, Hex Head Slotted, #08-32 x 1/2 Inch Long, SST	9
36	62-62041-26	Label, PTB	1
37	22-01594-00	Terminal Block, Power	1
38	34-00655-08	Bolt, Hex Head, 1/4-20 x 1 Inch Long, SST	2
39	34-00663-11	Washer, Split Lock, 1/4, SST	2
40	10-00300-02	Contact, 28VDC, SPNO	2
41	62-62041-20	Label, EFR1	1
42	62-62041-11	Label, CFR1	1
43	62-62040-04	Label, TB 1-4	1
44	22-01563-05	Terminal Block, 4 Pole	1
45	22-01612-00	Jumper, Terminal Block	1
46	34-06264-06	Screw, Hex Head Slotted, #08-32 x 3/4 Inch Long, SST	2
47	68RM40-157P	Panel Assembly, Relay Board & Logic Module, Painted	1
48	62-62041-27	Label, RB	1
49	66U1-3882	Wire Tie, Self-Locking, 7 Inches, Black	40
50	AC701-301	Wire Tie, Self-Locking, 15 Inches, White	7
51	22-62150-00	Harness, Interface (68RM50-100-16 Only) - Includes:	1
	22-62084-00	Harness, Interface (68RM50-101-15 Only) - Includes:	
	22-62082-00	Harness, Interface (68RM50-101-19, -21, -23, -25, -26, -27, -28, -29, -34) - Includes:	
52	22-50146-00	Connector, 9 Position (J3)	1
53	22-50143-00	Connector, 15 Position (J4)	1
54	22-50136-00	Connector, Female, 6 Position (JP4)	1
55	22-50137-00	Connector, Female, 5 Position (JP5)	1
56	22-50138-00	Connector, Female, 4 Position (JP6)	1
57	22-02392-00SV	Connector Kit, 2 Pin (WPF) - Includes:	3
58	NSS	Connector, 2 Pin, Black	1
59	22-02393-01	Terminal, Male (18-20 AWG)	2
60	22-02394-01	Seal, Cable	2
61	22-50152-00	Terminal, Socket, Female (J3,J4)	A/R
62	22-50148-00	Terminal, Female (JP3 Thru JP6)	A/R
63	22-02393-01	Terminal, Male (18-20 AWG)	A/R
64	22-01566-01	Terminal, Female (18-20 AWG)	A/R
65	22-62077-00	Harness, Control - Includes:	1
66	22-50144-00	Connector, Housing Kit, 4 Position (J1)	1
67	22-50153-00	Terminal, Socket, Female (J1)	3
68	CM983-618	Connector, 24 Position (J6)	1



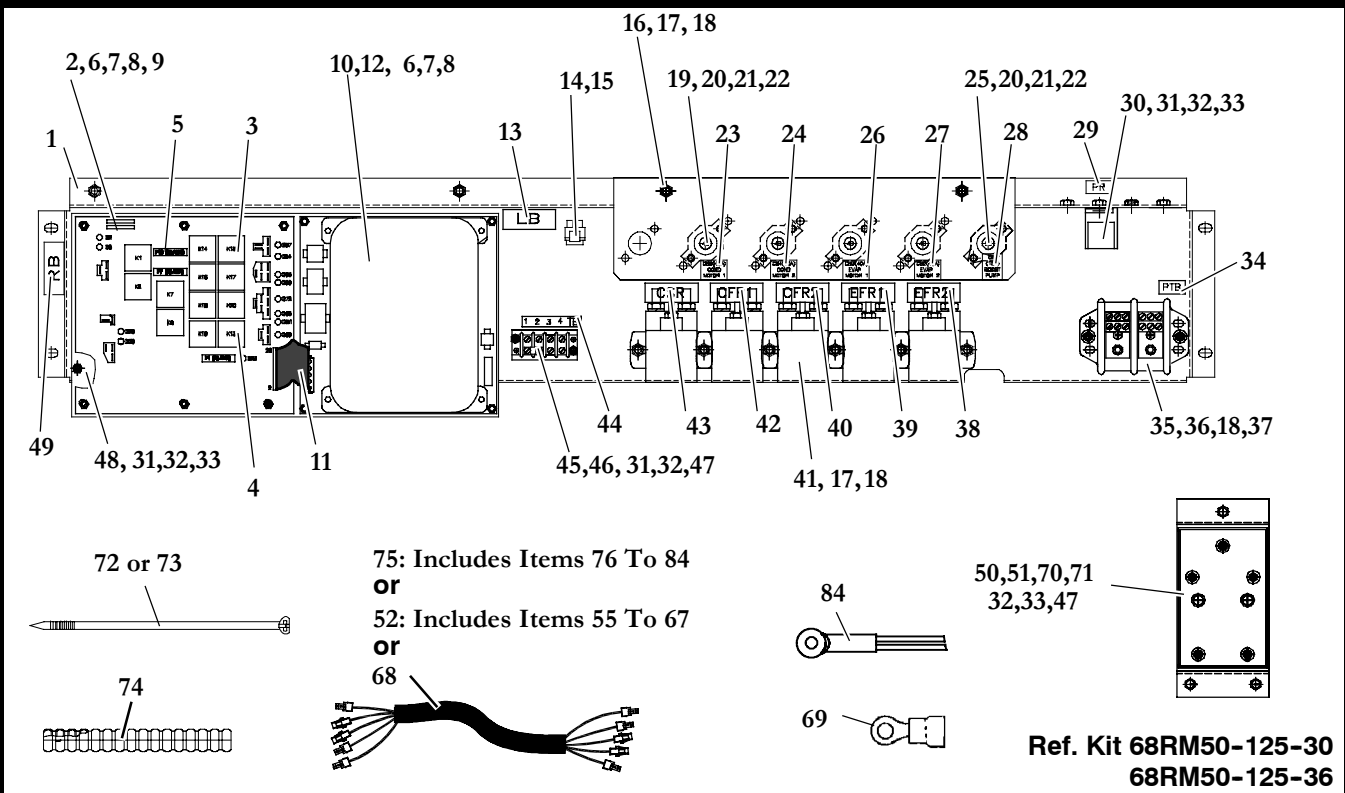
3.5 Electrical Control Panel - 68RM50-100-16, 101-15, -19, -21, -23, -25, -26, -27, -28, -29, -34
(Continued)



Item	Part Number	Description	Qty
69	58-00850-00	Tubing, 0.92 Inch ID x 75.00 Feet Long, Black	1
70	22-50152-00	Terminal, Socket, Female (J6)	12
71	22-50135-00	Connector, Female, 3 Position (JP7)	1
72	22-50148-00	Terminal, Female (JP8)	2
73	22-50134-00	Connector, Female, 2 Position (JP8)	1
74	22-50275-00	Connector, Female, 3 Position (JP9)	1
75	12-00495-02SV	Thermistor Sensor Kit, Return Air (Replacement For 12-00305-04)	1
76	22-50122-05	Terminal, Female, Straight Push-On (Relays)	8
77	22-50122-15	Terminal, Female, Straight Push-On (JP7, JP9)	8
78	22-50347-00	Terminal, Female (JP7)	2
79	22-62080-00	Harness, Power	1
80	22-50146-00	Connector, 9 Position (J3)	1
81	22-50143-00	Connector, 15 Position (J4)	1
82	22-50135-00	Connector, Female, 3 Position (JP3)	1
83	22-50136-00	Connector, Female, 6 Position (JP4)	1
84	22-50137-00	Connector, Female, 5 Position (JP5)	1
85	22-50138-00	Connector, Female, 4 Position (JP6)	1
86	22-02392-00SV	Connector Kit, 2 Pin (WPF, JP4/ESS) - Includes:	2
87	NSS	Connector, 2 Pin, Black	1
88	22-02393-01	Terminal, Male (18-20 Awg)	2
89	22-02394-01	Seal, Cable, Blue	2
90	22-50152-00	Terminal, Socket, Female (J3,J4)	6
91	22-50148-00	Terminal, Female (JP3 Thru JP6)	16
92	22-02393-01	Terminal, Male (18-20 AWG)	9
93	22-01566-01	Terminal, Female (18-20 AWG) (JP4/ESS, JP5, JP6)	11



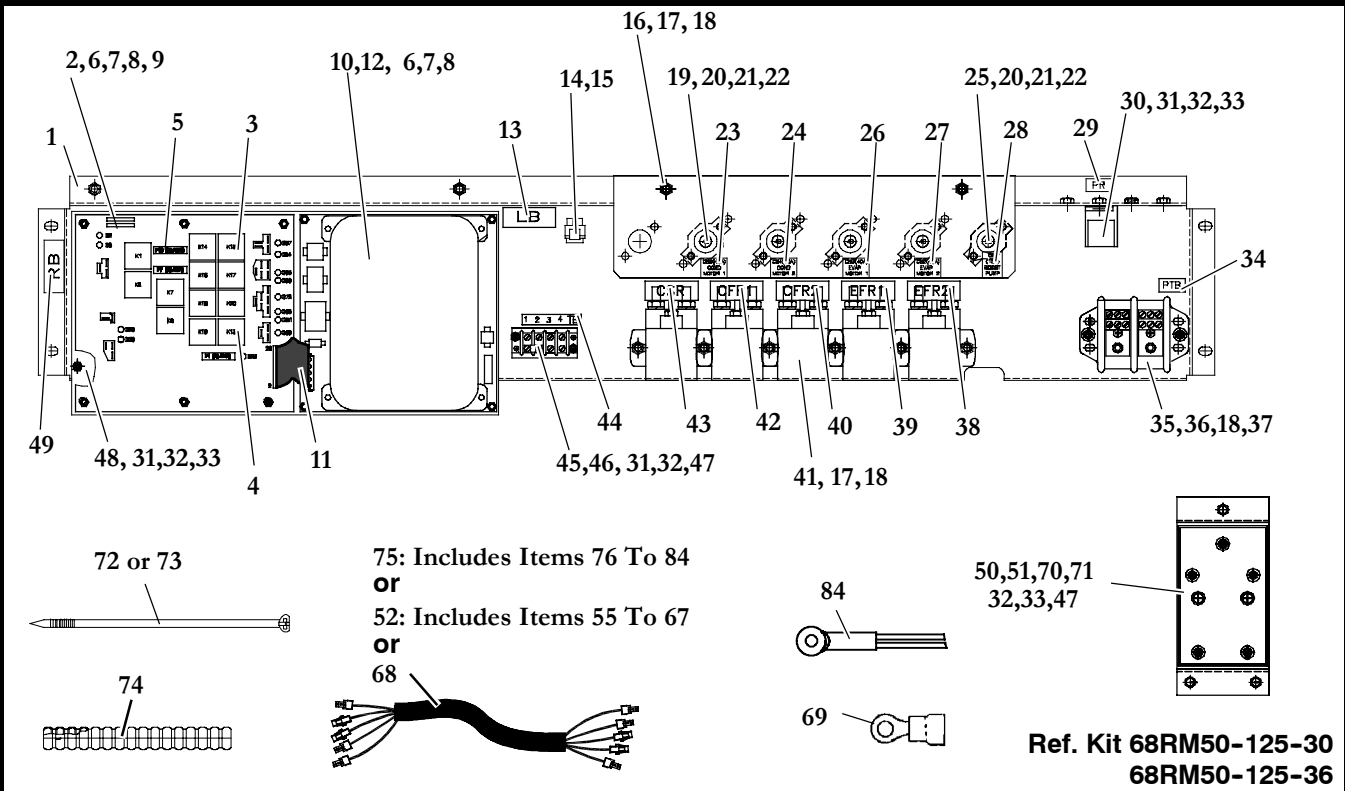
3.6 Electrical Control Panels - 68RM50-101-20, -30, -35



Item	Part Number	Description	Qty
1	68-62603-00	Panel Assembly, Electrical, Painted	1
2	12-00371-01	Board, Relay - Includes:	1
3	10-00286-11	Relay, 24 VDC, 40 Amp, SPDT	11
4	10-00286-12	Relay, 24 VDC, 40 Amp, SPDT (K13 Only)	1
5	22-02336-06	Fuse, 15 Amp	3
6	34-62000-00	Spacer, 5/16 Diameter x 1/2 Inch Long	6
7	58-00511-08	Washer, Nylon	10
8	34-00360-09	Nut, Hex, Self-Locking, #10-32	10
9	42-62005-00	Gasket, Relay Board	1
10	12-00392-15	Module, Controller Logic, 24VDC - Includes:	1
11	22-50236-00	Harness, Ribbon Cable, 26 Pin (Logic Module To Relay Board)	1
12	34-62000-01	Spacer, 5/16 Diameter x 1/4 Inch Long	4
13	62-62041-24	Label, LB	1
14	22-02336-04	Fuse, 10 Amp	1
15	22-01449-00	Clip, Fuse	1
16	68-62604-00	Panel, Circuit Breaker, Painted	1
17	34-62055-00	Bolt, Hex Head, With Split Lock Washer, 1/4-20 x 5/8 Inch Long, SST	8
18	34-06212-12	Washer, Plain, 1/4, SST	10
19	10-00247-05	Circuit Breaker, 40 Amp	4
20	66U1-5371-10	Screw, Hex Head Slotted, #10-24 x 1 Inch Long, SST	10
21	34-06212-10	Washer, Plain, #10, SST	10
22	34-00667-09	Nut, Hex, Self-Locking, #10-24, SST	10
23	62-62043-06	Label, CB5 (40A) Cond Motor 1	1
24	62-62043-04	Label, CB4 (40A) Cond Motor 2	1



3.6 Electrical Control Panels - 68RM50-101-20, -30, -35 (Continued)



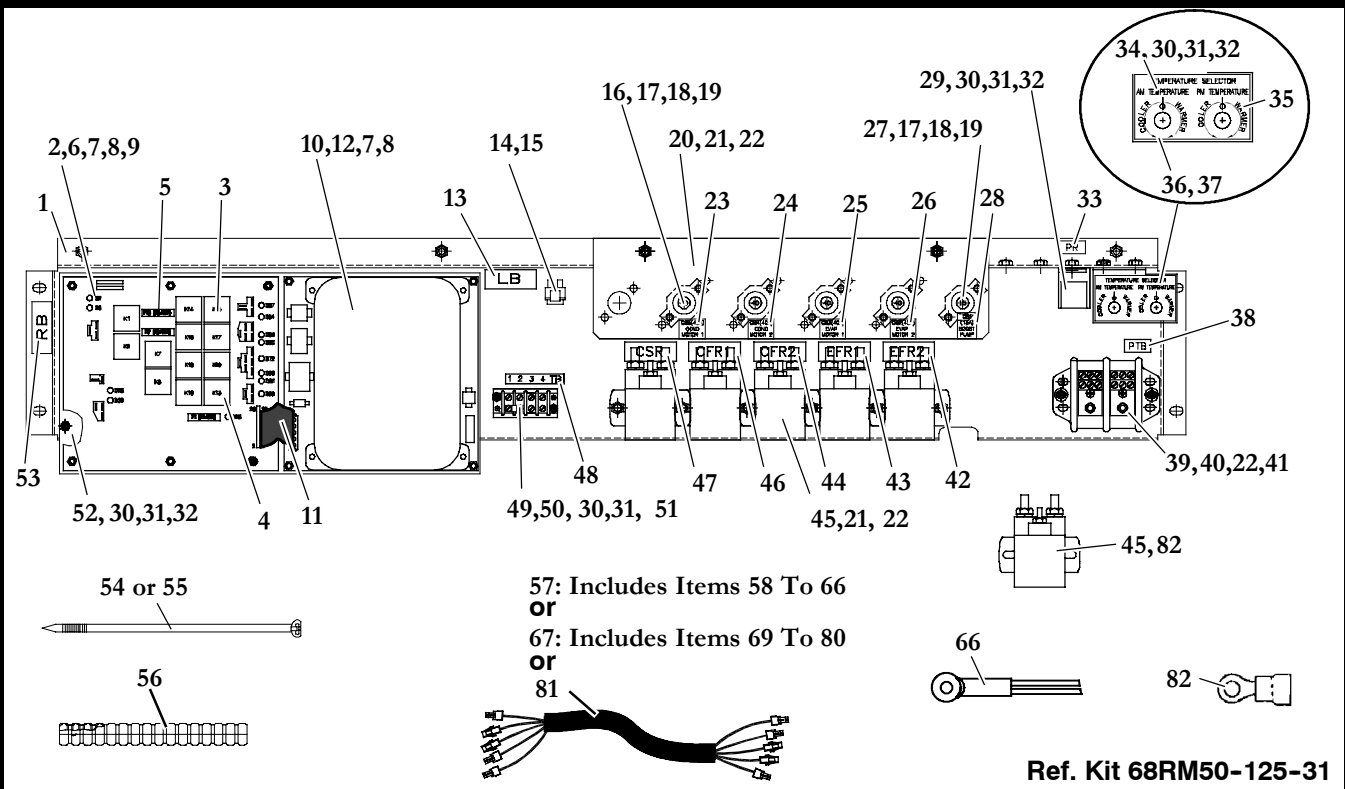
Item	Part Number	Description	Qty
25	10-00247-03	Circuit Breaker, 15 Amp	1
26	62-62043-02	Label, CB3 (40A) Evap Motor 1	1
27	62-62043-00	Label, CB2 (40A) Evap Motor 2	1
28	62-62044-00	Label, CB1 (15A) Boost Pump	1
29	62-62041-25	Label, Power Relay	1
30	10-00286-09	Relay, 24VDC, 40 Amp, SPDT	1
31	34-00662-08	Washer, Plain, #8, SST	9
32	34-00663-08	Washer, Split Lock, #8, SST	14
33	34-06264-04	Screw, Hex Head Slotted, #08-32 x 1/2 Inch Long, SST	10
34	62-62041-26	Label, PTB	1
35	22-01594-00	Terminal Block, Power	1
36	34-00655-08	Bolt, Hex Head, 1/4-20 x 1 Inch Long, SST	2
37	34-00663-11	Washer, Split Lock, 1/4, SST	2
38	62-62041-21	Label, EFR2	1
39	62-62041-20	Label, EFR1	1
40	62-62041-13	Label, CFR2	1
41	10-00300-02	Contactactor, 28VDC, SPNO	5
42	62-62041-11	Label, CFR1	1
43	62-62041-16	Label, CSR	1
44	62-62040-04	Label, TB 1-4	1
45	22-01563-05	Terminal Block, 4 Pole	1
46	22-01612-00	Jumper, Terminal Block	1
47	34-06264-06	Screw, Hex Head Slotted, #08-32 x 3/4 Inch Long, SST	4
48	68RM40-157P	Panel Assembly, Relay Board & Logic Module, Painted	1



3.6 Electrical Control Panels - 68RM50-101-20, -30, -35 (Continued)			
Item	Part Number	Description	Qty
49	62-62041-27	Label, RB	1
50	10-00309-00	Relay, Evaporator Speed, 24VDC	1
51	10-00314-00	Cover, Relay	1
52	22-62082-00	Harness, Interface (68RM50-101-20, -30 Only) - Includes:	1
53	22-62150-00	Harness, Interface (68RM50-101-35 Only) - Includes:	1
54	22-50146-00	Connector, 9 Position (J3)	1
55	22-50143-00	Connector, 15 Position (J4)	1
56	22-50135-00	Connector, Female, 3 Position (JP3)	1
57	22-50136-00	Connector, Female, 6 Position (JP4)	1
58	22-50137-00	Connector, Female, 5 Position (JP5)	1
59	22-50138-00	Connector, Female, 4 Position (JP6)	1
60	22-02392-00SV	Connector Kit, 2 Pin (WPF) - Includes:	3
61	NSS	Connector, 2 Pin, Black	1
62	22-02393-01	Terminal, Male (18-20 AWG)	2
63	22-02394-01	Seal, Cable	2
64	22-50152-00	Terminal, Socket, Female (J3,J4)	A/R
65	22-50148-00	Terminal, Female (JP3 Thru JP6)	A/R
66	22-02393-01	Terminal, Male (18-20 AWG)	A/R
67	22-01566-01	Terminal, Female (18-20 AWG)	A/R
68	22-62078-00	Harness, Power (PM)	1
69	22-00121-27	Terminal, Ring, #10, 18 Gauge, Red Nylon	2
70	AC801-604	Grommet, 5/8 ID x 7/8 Hole, 1/8 Inch Groove	2
71	68-62275-00	Bracket Assembly, Relay, Painted	1
72	66U1-3882	Wire Tie, Self-Locking, 7 Inches, Black	40
73	AC701-301	Wire Tie, Self-Locking, 15 Inches, White	7
74	58-00850-00	Tubing, 0.92 Inch ID x 75.00 Feet Long, Black	1
75	22-62076-00	Wire Harness, Control (PM & WF) - Includes:	1
76	22-50144-00	Connector, Housing Kit, 4 Position, (J1)	1
77	22-50153-00	Terminal, Socket, Female (J1)	4
78	CM983-618	Connector, 24 Position (J6)	1
79	22-50152-00	Terminal, Socket, Female (J6)	24
80	22-50135-00	Connector, Female, 3 Position (J7)	1
81	22-50148-00	Terminal, Female (J7, J8 & J9)	8
82	22-50134-00	Connector, Female, 2 Position (J8)	1
83	22-50275-00	Connector, Female, 3 Position (J9)	1
84	12-00495-02SV	Thermistor Sensor Kit, Return Air (Replacement For 12-00305-04)	1



3.7 Electrical Control Panels - 68RM50-100-17, 100-18, 101-22



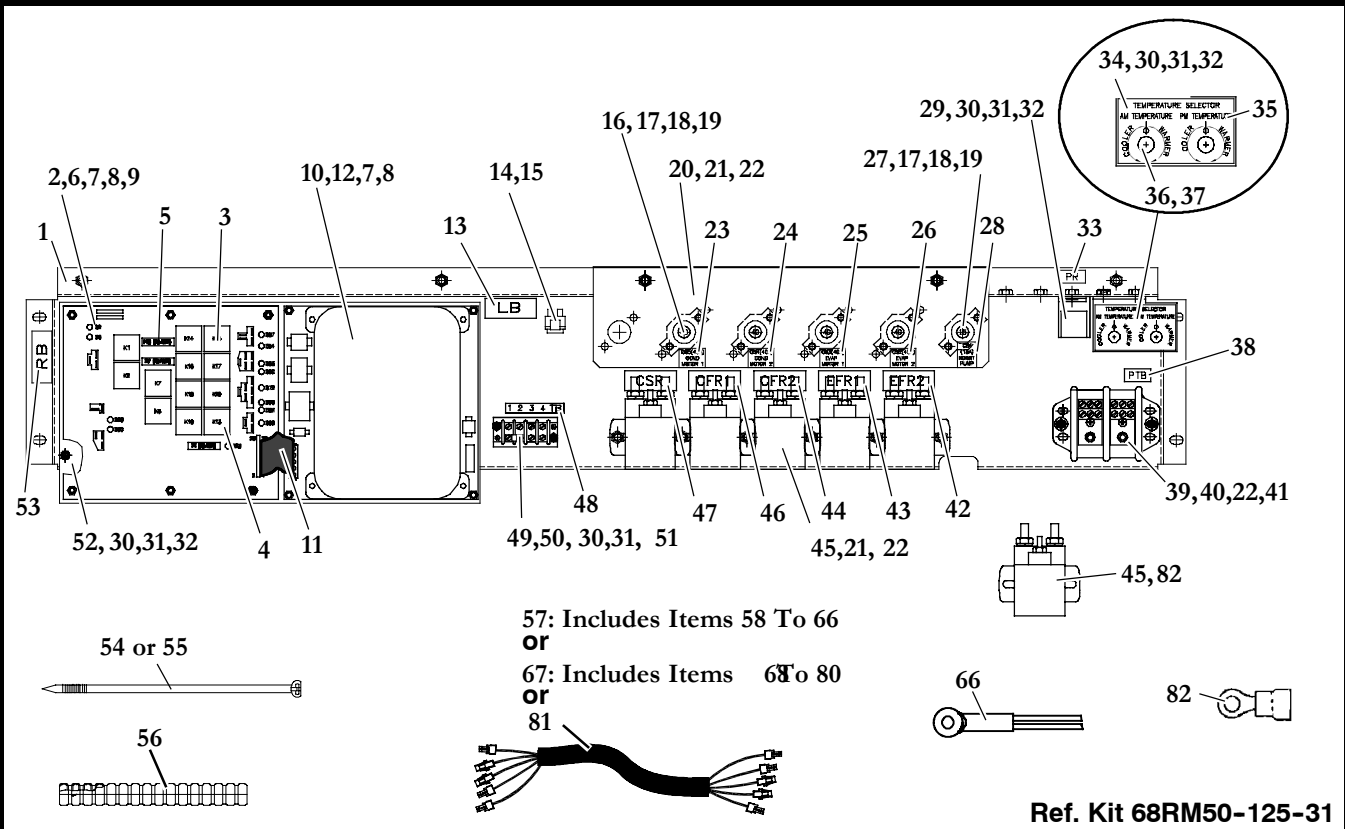
Item	Part Number	Description	Qty
1	68-63317-00	Panel Assembly, Electrical, Painted	1
2	12-00371-01	Board, Relay - Includes:	1
3	10-00286-11	Relay, 24 VDC, 40 Amp, SPDT	11
4	10-00286-12	Relay, 24 VDC, 40 Amp, SPDT (K13 Only)	1
5	22-02336-06	Fuse, 15 Amp	3
6	34-62000-00	Spacer, 5/16 Diameter x 1/2 Inch Long	6
7	58-00511-08	Washer, Nylon	10
8	34-00360-09	Nut, Hex, Self-Locking, #10-32	10
9	42-62005-00	Gasket, Relay Board	1
10	12-00392-15	Module, Controller Logic, 24VDC - Includes:	1
11	22-50236-00	Harness, Ribbon Cable, 26 Pin (Logic Module To Relay Board)	1
12	34-62000-01	Spacer, 5/16 Diameter x 1/4 Inch Long	4
13	62-62041-24	Label, LB	1
14	22-02336-04	Fuse, 10 Amp	1
15	22-01449-00	Clip, Fuse	1
16	10-00247-05	Circuit Breaker, 40 Amp	4
17	66U1-5371-10	Screw, Hex Head Slotted, #10-24 x 1 Inch Long, SST	10
18	34-06212-10	Washer, Plain, #10, SST	10
19	34-00667-09	Nut, Hex, Self-Locking, #10-24, SST	10
20	68-62604-00	Panel, Circuit Breaker, Painted	1
21	34-62055-00	Bolt, Hex Head, With Split Lock Washer, 1/4-20 x 5/8 Inch Long, SST	8
22	34-06212-12	Washer, Plain, 1/4, SST	10
23	62-62043-06	Label, CB5 (40A) Cond Motor 1	1
24	62-62043-04	Label, CB4 40A) Cond Motor 2	1



Electrical Control Panels - 68RM50-100-17, 100-18, 101-22			
Item	Part Number	Description	Qty
25	62-62043-02	Label, CB3 (40A) Evap Motor 1	1
26	62-62043-00	Label, CB2 (40A) Evap Motor 2	1
27	10-00247-03	Circuit Breaker, 15 Amp	1
28	62-62044-00	Label, CB1 (15A) Boost Pump	1
29	10-00286-09	Relay, 24VDC, 40 Amp, SPDT	1
30	34-00662-08	Washer, Plain, #8, SST	9
31	34-00663-08	Washer, Split Lock, #8, SST	14
32	34-06264-04	Screw, Hex Head Slotted, #08-32 x 1/2 Inch Long, SST	10
33	62-62041-25	Label, Power Relay	1
34	68-63316-00	Bracket, Temperature Selector	1
35	68RM50-1080	Label, AM/PM Temperature Selector	1
36	22-62191-00	Switch Assembly, Temperature, AM/PM	1
37	10-00312-00	Knob, Temperature Selector, AM, PM	2
38	62-62041-26	Label, PTB	1
39	22-01594-00	Terminal Block, Power	1
40	34-00655-08	Bolt, Hex Head, 1/4-20 x 1 Inch Long, SST	2
41	34-00663-11	Washer, Split Lock, 1/4, SST	2
42	62-62041-21	Label, EFR2	1
43	62-62041-20	Label, EFR1	1
44	62-62041-13	Label, CFR2	1
45	10-00300-02	Contact, 28VDC, SPNO	5
46	62-62041-11	Label, CFR1	1
47	62-62041-16	Label, CSR	1
48	62-62040-04	Label, TB 1-4	1
49	22-01563-05	Terminal Block, 4 Pole	1
50	22-01612-00	Jumper, Terminal Block	1
51	34-06264-06	Screw, Hex Head Slotted, #08-32 x 3/4 Inch Long, SST	4
52	68RM40-157P	Panel Assembly, Relay Board And Logic Module, Painted	1
53	62-62041-27	Label, RB	1
54	66U1-3882	Wire Tie, Self-Locking, 7 Inches, Black	40
55	AC701-301	Wire Tie, Self-Locking, 15 Inches, White	7
56	58-00850-00	Tubing, 0.92 Inch ID x 75.00 Feet Long, Black	1
57	22-62076-00	Wire Harness, Control (PM & WF) - Includes:	1
58	22-50144-00	Connector, Housing Kit, 4 Position (J1)	1
59	22-50153-00	Terminal, Socket, Female (J1)	4
60	CM983-618	Connector, 24 Position(J6)	1
61	22-50152-00	Terminal, Socket, Female (J6)	24
62	22-50135-00	Connector, Female, 3 Position (J7)	1
63	22-50148-00	Terminal, Female (J7, J8 & J9)	8
64	22-50134-00	Connector, Female, 2 Position (J8)	1
65	22-50275-00	Connector, Female, 3 Position (J9)	1
66	12-00495-02SV	Thermistor Sensor Kit, Return Air (Replacement For 12-00305-04)	1



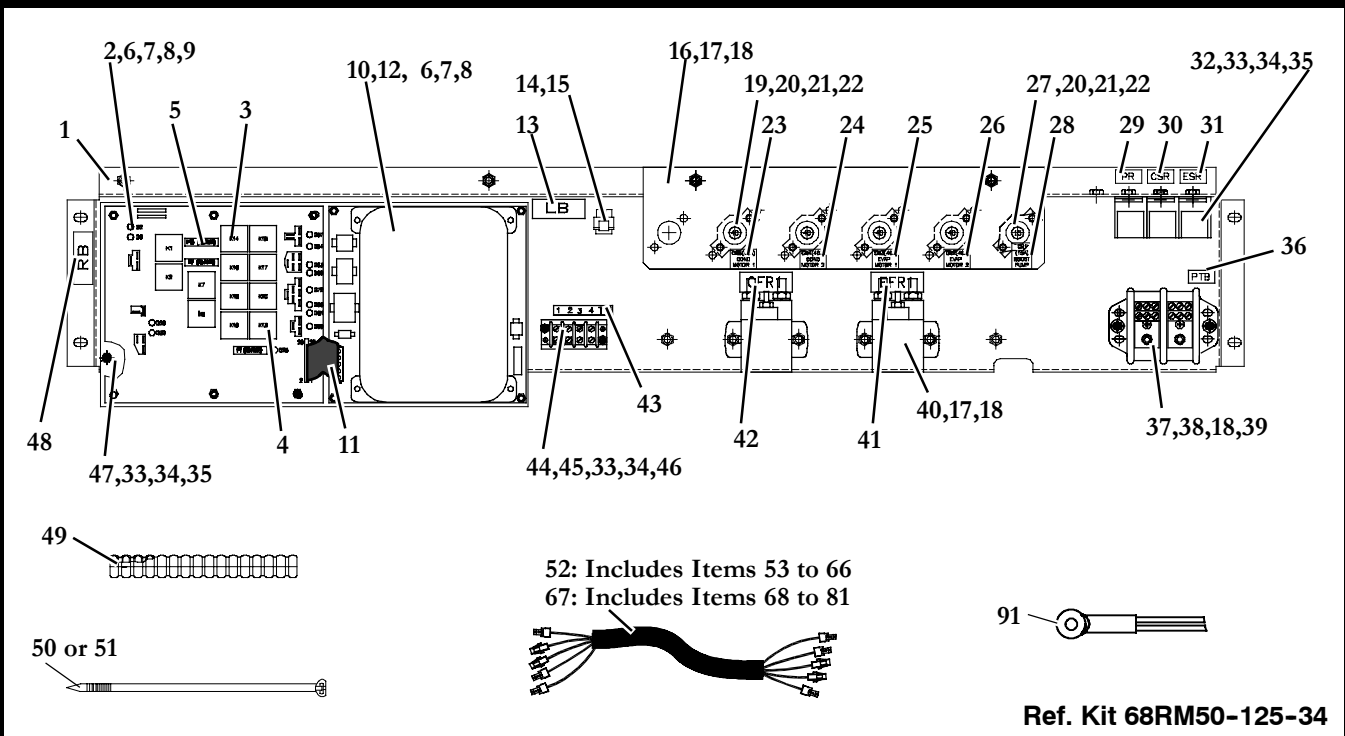
3.7 Electrical Control Panels - 68RM50-100-17, 100-18, 101-22 (Continued)



Item	Part Number	Description	Qty
67	22-62150-00	Harness, Interface - Includes:	1
68	22-50146-00	Connector, 9 Position (J3)	1
69	22-50143-00	Connector, 15 Position (J4)	1
70	22-50136-00	Connector, Female, 6 Position (JP4)	1
71	22-50137-00	Connector, Female, 5 Position (JP5)	1
72	22-50138-00	Connector, Female, 4 Position (JP6)	1
73	22-02392-00SV	Connector Kit, 2 Pin (WPF) - Includes:	3
74	NSS	Connector, 2 Pin, Black	1
75	22-02393-01	Terminal, Male (18-20 AWG)	2
76	22-02394-01	Seal, Cable	2
77	22-50152-00	Terminal, Socket, Female (J3,J4)	7
78	22-50148-00	Terminal, Female (JP3 Thru JP6)	14
79	22-02393-01	Terminal, Male (18-20 AWG)	5
80	22-01566-01	Terminal, Female (18-20 AWG)	14
81	22-62079-00	Harness, Power (WF)	1
82	22-00121-27	Terminal, Ring, #10, 18 Gauge, Red Nylon	2
83	10-00314-00	Cover, Relay	1
84	AC801-604	Grommet, 5/8 ID x 7/8 Hole, 1/8 Inch Groove	2
85	68-62275-00	Bracket Assembly, Relay, Painted	1



3.8 Electrical Control Panel - 68RM50-101-36, -60

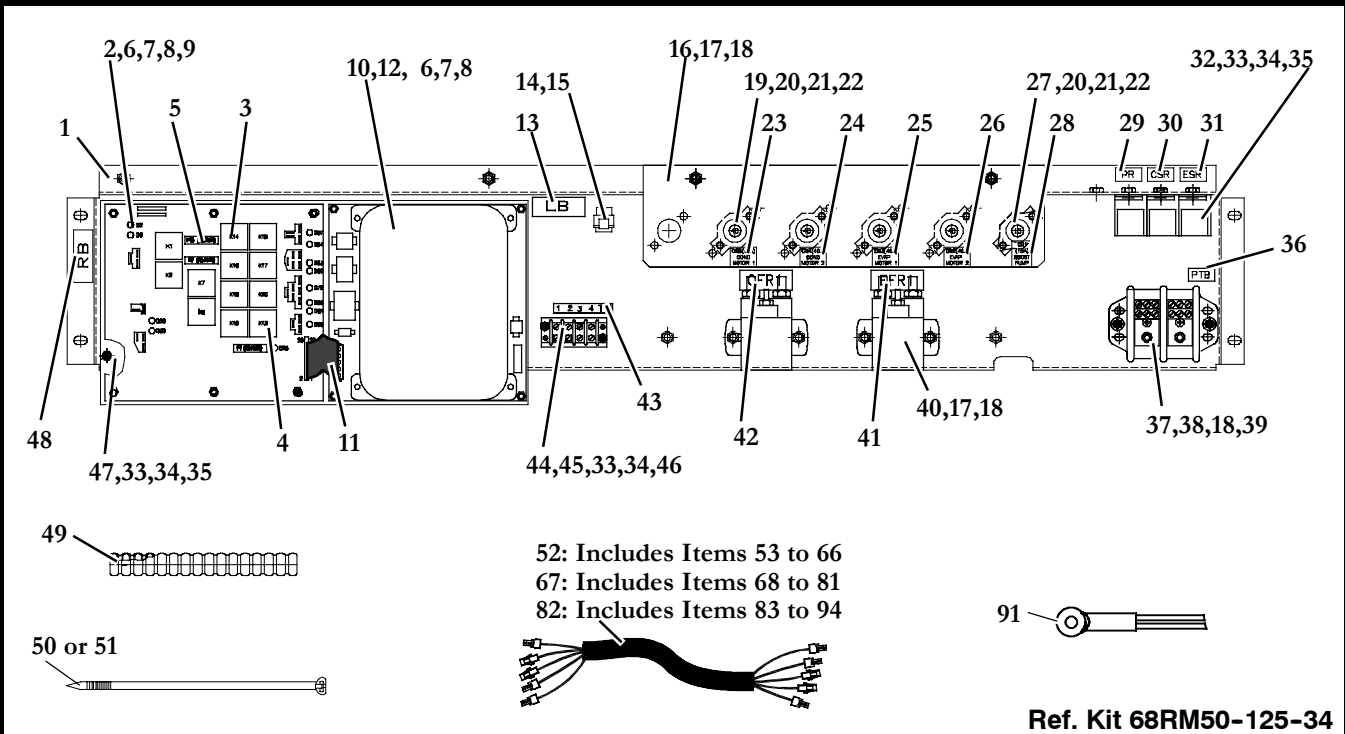


Ref. Kit 68RM50-125-34

Item	Part Number	Description	Qty
1	68-62603-00	Panel Assembly, Electrical, Painted	1
2	12-00371-01	Board, Relay - Includes:	1
3	10-00286-11	Relay, 24 VDC, 40 Amp, SPDT	11
4	10-00286-12	Relay, 24 VDC, 40 Amp, SPDT (K13 Only)	1
5	22-02336-06	Fuse, 15 Amp	3
6	34-62000-00	Spacer, 5/16 Diameter x 1/2 Inch Long	6
7	58-00511-08	Washer, Nylon	10
8	34-00360-09	Nut, Hex, Self-Locking, #10-32	10
9	42-62005-00	Gasket, Relay Board	1
10	12-00392-15	Module, Controller Logic, 24VDC - Includes:	1
11	22-50236-00	Harness, Ribbon Cable, 26 Pin (Logic Module To Relay Board)	1
12	34-62000-01	Spacer, 5/16 Diameter x 1/4 Inch Long	4
13	62-62041-24	Label, LB	1
14	22-02336-04	Fuse, 10 Amp	1
15	22-01449-00	Clip, Fuse	1
16	68-62604-00	Panel, Circuit Breaker, Painted	1
17	34-62055-00	Bolt, Hex Head, W/Split Lock Washer, 1/4-20 x 5/8 Inch Long, SST	6
18	34-06212-12	Washer, Plain, 1/4, SST	8
19	10-00247-05	Circuit Breaker, 40 Amp	4
20	66U1-5371-10	Screw, Hex Head Slotted, #10-24 x 1 Inch Long, SST	10
21	34-06212-10	Washer, Plain, #10, SST	10
22	34-00667-09	Nut, Hex, Self-Locking, #10-24, SST	10
23	62-62043-06	Label, CB5 (40A) Cond Motor 1	1
24	62-62043-04	Label, CB4 (40A) Cond Motor 2	1
25	62-62043-02	Label, CB3 (40A) Evap Motor 1	1
26	62-62043-00	Label, CB2 (40A) Evap Motor 2	1



3.8 Electrical Control Panel - 68RM50-101-36, -60 (Continued)



Ref. Kit 68RM50-125-34

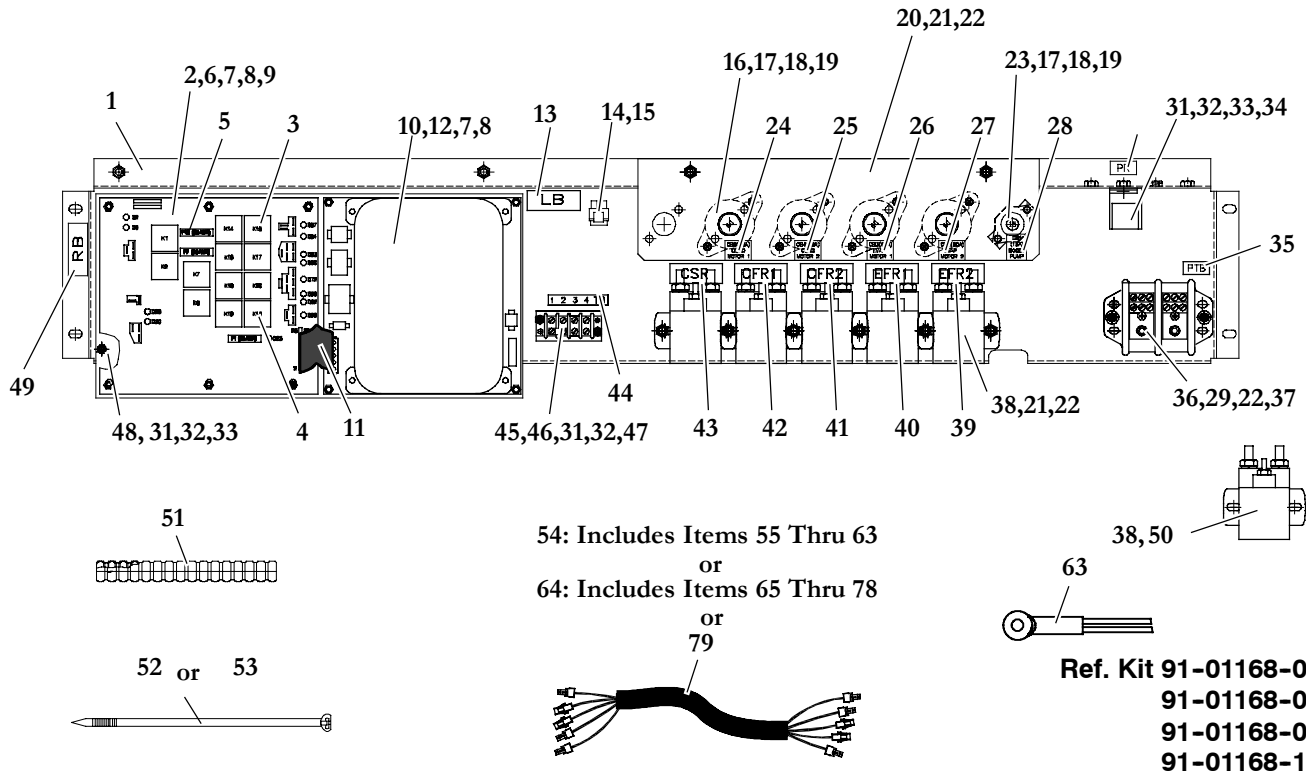
Item	Part Number	Description	Qty
27	10-00247-03	Circuit Breaker, 15 Amp	1
28	62-62044-00	Label, CB1 (15A) Boost Pump	1
29	62-62041-25	Label, Power Relay	1
30	62-62041-16	Label, CSR	1
31	62-62041-22	Label, ESR	1
32	10-00286-09	Relay, 24VDC, 40 Amp, SPDT	A/R
33	34-00662-08	Washer, Plain, #8, SST	11
34	34-00663-08	Washer, Split Lock, #8, SST	11
35	34-06264-04	Screw, Hex Head Slotted, #08-32 x 1/2 Inch Long, SST	9
36	62-62041-26	Label, PTB	1
37	22-01594-00	Terminal Block, Power	1
38	34-00655-08	Bolt, Hex Head, 1/4-20 x 1 Inch Long, SST	2
39	34-00663-11	Washer, Split Lock, 1/4, SST	2
40	10-00300-02	Contact, 28VDC, SPNO	2
41	62-62041-20	Label, EFR1	1
42	62-62041-11	Label, CFR1	1
43	62-62040-04	Label, TB 1-4	1
44	22-01563-05	Terminal Block, 4 Pole	1
45	22-01612-00	Jumper, Terminal Block	1
46	34-06264-06	Screw, Hex Head Slotted, #08-32 x 3/4 Inch Long, SST	2
47	68RM40-157P	Panel Assembly, Relay Board & Logic Module, Painted	1
48	62-62041-27	Label, RB	1
49	58-00850-00	Tubing, 0.92 Inch ID x 75.00 Feet Long, Black	1
50	66U1-3882	Wire Tie, Self-Locking, 7 Inches, Black	40
51	AC701-301	Wire Tie, Self-Locking, 15 Inches, White	7



3.8 Electrical Control Panel - 68RM50-101-36, -60 (Continued)			
Item	Part Number	Description	Qty
52	22-02854-00	Wire Harness, Interface, ESS - Includes:	1
53	22-50146-00	Connector, 9 Position (J3)	1
54	22-50143-00	Connector, 15 Position (J4)	1
55	22-50135-00	Connector, Female, 3 Position (JP3)	1
56	22-50136-00	Connector, Female, 6 Position (JP4)	1
57	22-50137-00	Connector, Female, 5 Position (JP5)	1
58	22-50138-00	Connector, Female, 4 Position (JP6)	1
59	22-02392-00SV	Connector Kit, 2 Pin (WPF) - Includes:	1
60	NSS	Connector, 2 Pin, Black	1
61	22-02393-01	Terminal, Male (18-20 AWG)	2
62	22-02394-01	Seal, Cable, Blue	2
63	22-50152-00	Terminal, Socket, Female (J3,J4)	6
64	22-50148-00	Terminal, Female (JP3 Thru JP6)	16
65	22-02393-01	Terminal, Male (18-20 AWG)	7
66	22-01566-01	Terminal, Female (18-20 AWG)	14
67	22-62080-00	Wire Harness, Power - Includes:	1
68	22-50146-00	Connector, 9 Position (J3)	1
69	22-50143-00	Connector, 15 Position (J4)	1
70	22-50135-00	Connector, Female, 3 Position (JP3)	1
71	22-50136-00	Connector, Female, 6 Position (JP4)	1
72	22-50137-00	Connector, Female, 5 Position (JP5)	1
73	22-50138-00	Connector, Female, 4 Position (JP6)	1
74	22-02392-00SV	Connector Kit, 2 Pin (WPF, JP4-ESS) - Includes:	2
75	NSS	Connector, 2 Pin, Black	1
76	22-02393-01	Terminal, Male (18-20 Awg)	2
77	22-02394-01	Seal, Cable, Blue	2
78	22-50152-00	Terminal, Socket, Female (J3,J4)	6
79	22-50148-00	Terminal, Female (JP3 Thru JP6)	16
80	22-02393-01	Terminal, Male (18-20 AWG)	9
81	22-01566-01	Terminal, Female (18-20 AWG) (JP4/ESS, JP5, JP6)	11
82	22-62077-00	Harness, Control - Includes:	1
83	22-50144-00	Connector, Housing Kit, 4 Position (J1)	1
84	22-50153-00	Terminal, Socket, Female (J1)	3
85	CM983-618	Connector, 24 Position (J6)	1
86	22-50152-00	Terminal, Socket, Female (J6)	12
87	22-50135-00	Connector, Female, 3 Position (JP7)	1
88	22-50148-00	Terminal, Female (JP8)	2
89	22-50134-00	Connector, Female, 2 Position (JP8)	1
90	22-50275-00	Connector, Female, 3 Position (JP9)	1
91	12-00495-02SV	Thermistor Sensor Kit, Return Air (Replacement For 12-00305-04)	1
92	22-50122-05	Terminal, Female, Straight Push-On (Relays)	8
93	22-50122-15	Terminal, Female, Straight Push-On (JP7, JP9)	8
94	22-50347-00	Terminal, Female (JP7)	2



3.9 Electrical Control Panel - 68RM50-101-38, -44, -51, -53, -57, -59, -62



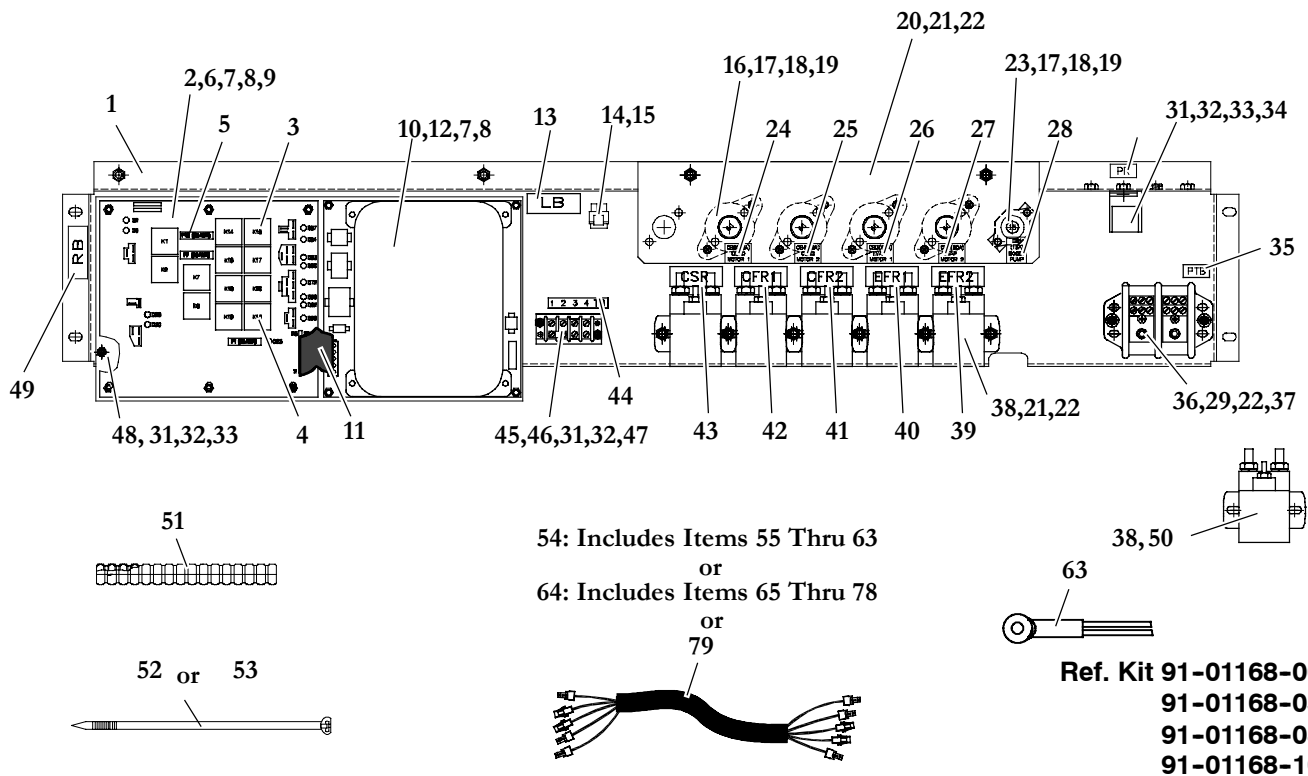
Item	Part Number	Description	Qty
1	68-62603-00	Panel Assembly, Electrical, Painted	1
2	12-00371-01	Board, Relay - Includes:	1
3	10-00286-11	Relay, 24 VDC, 40 Amp, SPDT	11
4	10-00286-12	Relay, 24 VDC, 40 Amp, SPDT (K13 Only)	1
5	22-02336-06	Fuse, 15 Amp	3
6	34-62000-00	Spacer, 5/16 Diameter x 1/2 Inch Long	6
7	58-00511-08	Washer, Nylon	10
8	34-00360-09	Nut, Hex, Self-Locking, #10-32	10
9	42-62005-00	Gasket, Relay Board	1
10	12-00392-15	Module, Controller Logic, 24VDC - Includes:	1
11	22-50236-00	Harness, Ribbon Cable, 26 Pin (Logic Module To Relay Board)	1
12	34-62000-01	Spacer, 5/16 Diameter x 1/4 Inch Long	4
13	62-62041-24	Label, LB	1
14	22-02336-04	Fuse, 10 Amp	1
15	22-01449-00	Clip, Fuse	1
16	10-00307-01	Circuit Breaker, 60 Amp	4
17	66U1-5371-10	Screw, Hex Head Slotted, #10-24 x 1 Inch Long, SST	10
18	34-06212-10	Washer, Plain, #10, SST	10
19	34-00667-09	Nut, Hex, Self-Locking, #10-24, SST	10
20	68-62604-00	Panel, Circuit Breaker, Painted	1
21	34-62055-00	Bolt, Hex Head, W/Split Lock Washer, 1/4-20 x 5/8 Inch Long, SST	8
22	34-06212-12	Washer, Plain, 1/4, SST	10
23	10-00247-03	Circuit Breaker, 15 Amp	1



3.9 Electrical Control Panel - 68RM50-101-38, -44, -51, -53, -57, -59, -62 (Continued)			
Item	Part Number	Description	Qty
24	62-62043-07	Label, CB5 (60A) Cond Motor 1	1
25	62-62043-05	Label, CB4 (60A) Cond Motor 2	1
26	62-62043-03	Label, CB3 (60A) Evap Motor 1	1
27	62-62043-01	Label, CB2 (60A) Evap Motor 2	1
28	62-62044-00	Label, CB1 (15A) Boost Pump	1
29	34-00655-08	Bolt, Hex Head, 1/4-20 x 1 Inch Long, SST	2
30	62-62041-25	Label, Power Relay	1
31	34-00662-08	Washer, Plain, #8, SST	9
32	34-00663-08	Washer, Split Lock, #8, SST	9
33	34-06264-04	Screw, Hex Head Slotted, #08-32 x 1/2 Inch Long, SST	7
34	10-00286-09	Relay, 24VDC, 40 Amp, SPDT	1
35	62-62041-26	Label, PTB	1
36	22-01594-00	Terminal Block, Power	1
37	34-00663-11	Washer, Split Lock, 1/4, SST	2
38	10-00300-02	Contact, 28VDC, SPNO	6
39	62-62041-21	Label, EFR2	1
40	62-62041-20	Label, EFR1	1
41	62-62041-13	Label, CFR2	1
42	62-62041-11	Label, CFR1	1
43	62-62041-16	Label, CSR	1
44	62-62040-04	Label, TB 1-4	1
45	22-01563-05	Terminal Block, 4 Pole	1
46	22-01612-00	Jumper, Terminal Block	1
47	34-06264-06	Screw, Hex Head Slotted, #08-32 x 3/4 Inch Long, SST	2
48	68RM40-157P	Panel Assembly, Relay Board & Logic Module, Painted	1
49	62-62041-27	Label, RB	1
50	22-00121-27	Terminal, Ring, #10, 18 Gauge, Red Nylon	2
51	58-00850-00	Tubing, 0.92 Inch ID x 75.00 Feet Long, Black	1
52	66U1-3882	Wire Tie, Self-Locking, 7 Inches, Black	40
53	AC701-301	Wire Tie, Self-Locking, 15 Inches, White	7
54	22-62076-00	Harness, Control (PM & WF) - Includes:	1
55	22-50144-00	Connector, Housing Kit, 4 Position (J1)	1
56	22-50153-00	Terminal, Socket, Female (J1)	4
57	CM983-618	Connector, 24 Position (J6)	1
58	22-50152-00	Terminal, Socket, Female (J6)	24
59	22-50135-00	Connector, Female, 3 Position (J7)	1
60	22-50148-00	Terminal, Female (J7, J8 & J9)	8
61	22-50134-00	Connector, Female, 2 Position (J8)	1
62	22-50275-00	Connector, Female, 3 Position (J9)	1
63	12-00495-02SV	Thermistor Sensor Kit, Return Air (Replacement For 12-00305-04)	1



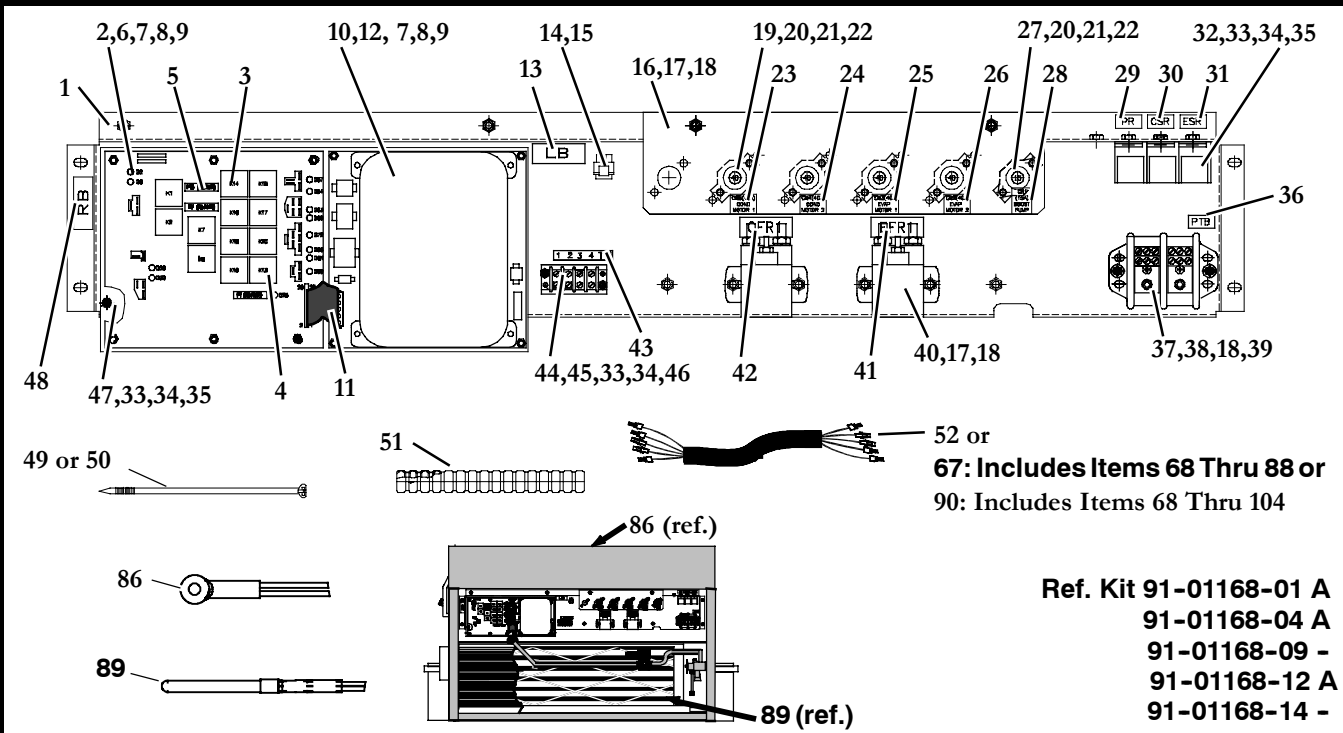
3.9 Electrical Control Panel - 68RM50-101-38, -44, -51, -53, -57, -59, -62 (Continued)



Item	Part Number	Description	Qty
64	22-02863-00	Wire Harness, Interface (68RM50-101-44, -51 Only) - Includes:	1
	22-02854-00	Wire Harness, Interface, ESS (68RM50-101-62 Only) - Includes:	
	22-02864-00	Wire Harness, Interface (68RM50-101-38, -53, -57, -59 Only) - Includes:	
65	22-50146-00	Connector, 9 Position (J3)	1
66	22-50152-00	Terminal, Socket, Female (J3 & J4)	A/R
67	22-50143-00	Connector, 15 Position (J4)	1
68	22-50135-00	Connector, Female, 3 Position (JP3)	1
69	22-50148-00	Terminal, Female (JP3, JP4, JP5 & JP6)	A/R
70	22-50136-00	Connector, Female, 6 Position (JP4)	1
71	22-50137-00	Connector, Female, 5 Position (JP5)	1
72	22-50138-00	Connector, Female, 4 Position (JP6)	1
73	22-02392-00SV	Connector Kit, 2 Pin (WPF) - Includes:	1
74	NSS	Connector, 2 Pin, Black	1
75	22-02393-01	Terminal, Male (18-20 AWG)	2
76	22-02394-01	Seal, Cable, Blue	2
77	22-02393-01	Terminal, Male (18-20 AWG)	A/R
78	22-01566-01	Terminal, Female (18-20 AWG)	A/R
79	22-62079-00	Harness, Power (WF)	1



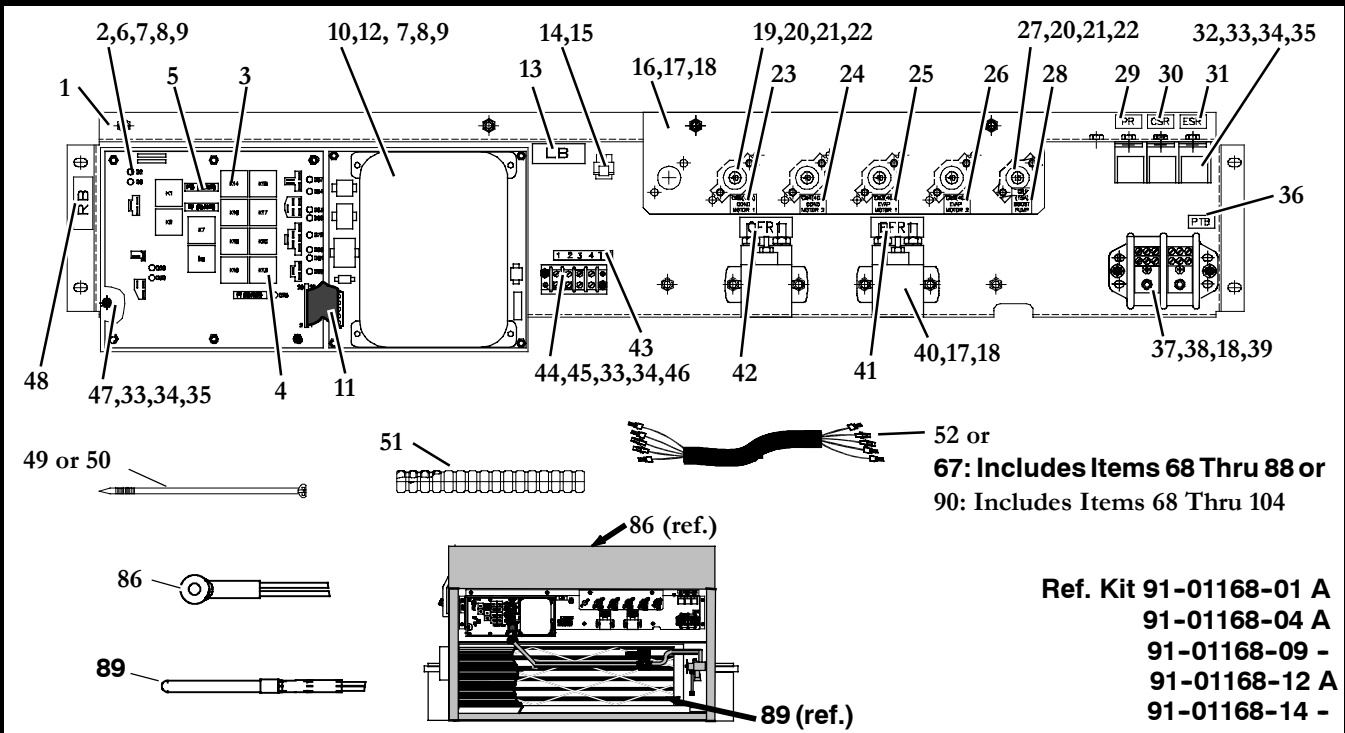
3.10 Electrical Control Panel - 68RM50-101-39, -41, -43 -45, -46, -47, -48, -49, -54, -58, -64, -67, -68, -69



Item	Part Number	Description	Qty
1	68-62603-00	Panel Assembly, Electrical, Painted	1
2	12-00371-01	Board, Relay - Includes:	1
3	10-00286-11	Relay, 24 VDC, 40 Amp, SPDT	11
4	10-00286-12	Relay, 24 VDC, 40 Amp, SPDT (K13 Only)	1
5	22-02336-06	Fuse, 15 Amp	3
6	34-62000-00	Spacer, 5/16 Diameter x 1/2 Inch Long	6
7	58-00511-08	Washer, Nylon	10
8	34-00360-09	Nut, Hex, Self-Locking, #10-32	10
9	42-62005-00	Gasket, Relay Board	1
10	12-00392-15	Module, Controller Logic, 24VDC (68RM50-101-39, -43, -45, -46, -47, -49, -54, -58, -67, -68, -69) - Includes:	1
	12-00392-16	Module, Controller Logic, 24VDC (68RM50-101-41 Only) - Includes:	
11	22-50236-00	Harness, Ribbon Cable, 26 Pin (Logic Module To Relay Board)	1
12	34-62000-01	Spacer, 5/16 Diameter x 1/4 Inch Long	4
13	62-62041-24	Label, LB	1
14	22-02336-04	Fuse, 10 Amp	1
15	22-01449-00	Clip, Fuse	1
16	68-62604-00	Panel, Circuit Breaker, Painted	1
17	34-62055-00	Bolt, Hex Head, W/Split Lock Washer, 1/4-20 x 5/8 Inch Long, SST	6
18	34-06212-12	Washer, Plain, 1/4, SST	8
19	10-00247-05	Circuit Breaker, 40 Amp	4
20	66U1-5371-10	Screw, Hex Head Slotted, #10-24 x 1 Inch Long, SST	10
21	34-06212-10	Washer, Plain, #10, SST	10
22	34-00667-09	Nut, Hex, Self-Locking, #10-24, SST	10
23	62-62043-06	Label, CB5 (40A) Cond Motor 1	1



3.10 Electrical Control Panel - 68RM50-101-39, -41, -43 -45, -46, -47, -48, -49, -54, -58, -64, -67, -68, -69(Continued)



Item	Part Number	Description	Qty
24	62-62043-04	Label, CB4 (40A) Cond Motor 2	1
25	62-62043-02	Label, CB3 (40A) Evap Motor 1	1
26	62-62043-00	Label, CB2 (40A) Evap Motor 2	1
27	10-00247-03	Circuit Breaker, 15 Amp	1
28	62-62044-00	Label, CB1 (15A) Boost Pump	1
29	62-62041-25	Label, Power Relay	1
30	62-62041-16	Label, CSR	1
31	62-62041-22	Label, ESR	1
32	10-00286-09	Relay, 24VDC, 40 Amp, SPDT	3
33	34-00662-08	Washer, Plain, #8, SST	11
34	34-00663-08	Washer, Split Lock, #8, SST	11
35	34-06264-04	Screw, Hex Head Slotted, #08-32 x 1/2 Inch Long, SST	9
36	62-62041-26	Label, PTB	1
37	22-01594-00	Terminal Block, Power	1
38	34-00655-08	Bolt, Hex Head, 1/4-20 x 1 Inch Long, SST	2
39	34-00663-11	Washer, Split Lock, 1/4, SST	2
40	10-00300-02	Contactora, 28VDC, SPNO	2
41	62-62041-20	Label, EFR1	1
42	62-62041-11	Label, CFR1	1
43	62-62040-04	Label, TB 1-4	1
44	22-01563-05	Terminal Block, 4 Pole	1
45	22-01612-00	Jumper, Terminal Block	1
46	34-06264-06	Screw, Hex Head Slotted, #08-32 x 3/4 Inch Long, SST	2
47	68RM40-157P	Panel Assembly, Relay Board & Logic Module, Painted	1
48	62-62041-27	Label, RB	1

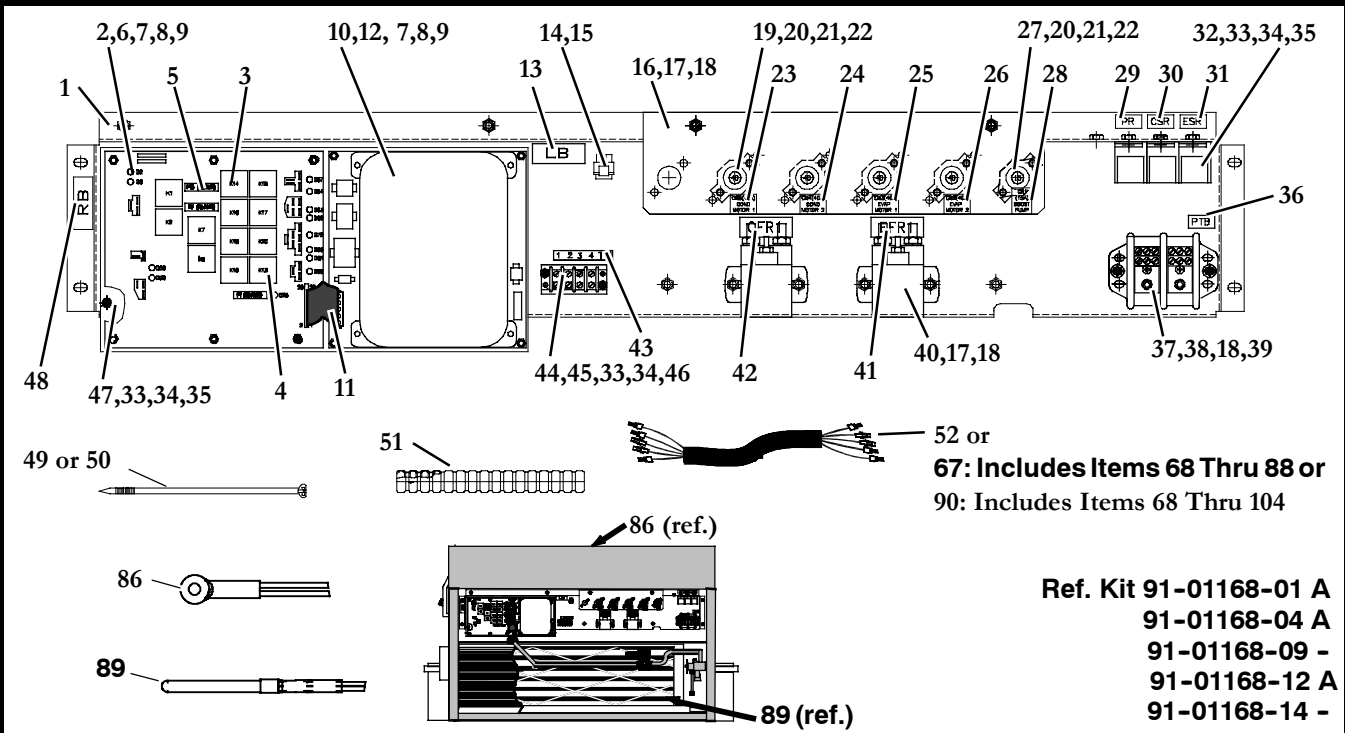


3.10 Electrical Control Panel - 68RM50-101-39, -41, -43 -45, -46, -47, -48, -49, -54, -58, -64, -67, -68, -69(Continued)

Item	Part Number	Description	Qty
49	66U1-3882	Wire Tie, Self-Locking, 7 Inches, Black	40
50	AC701-301	Wire Tie, Self-Locking, 15 Inches, White	7
51	58-00850-00	Tubing, 0.92 Inch ID x 75.00 Feet Long, Black	1
52	22-62080-00	Harness, Power	1
53	22-50146-00	Connector, 9 Position (J3)	1
54	22-50143-00	Connector, 15 Position (J4)	1
55	22-50135-00	Connector, Female, 3 Position (JP3)	1
56	22-50136-00	Connector, Female, 6 Position (JP4)	1
57	22-50137-00	Connector, Female, 5 Position (JP5)	1
58	22-50138-00	Connector, Female, 4 Position (JP6)	1
59	22-02392-00SV	Connector Kit, 2 Pin (WPF, JP4-ESS) - Includes:	2
60	NSS	Connector, 2 Pin, Black	1
61	22-02393-01	Terminal, Male (18-20 Awg)	2
62	22-02394-01	Seal, Cable, Blue	2
63	22-50152-00	Terminal, Socket, Female (J3,J4)	6
64	22-50148-00	Terminal, Female (JP3 Thru JP6)	16
65	22-02393-01	Terminal, Male (18-20 AWG)	9
66	22-01566-01	Terminal, Female (18-20 AWG) (JP4/ESS, JP5, JP6)	11
67	22-62077-00	Harness, Control (68RM50-101-39, -41, -43, -45, -46, -47, -48, -49, -54, -58) - Includes:	1
	22-02894-00	Harness, Control (68RM50-101-64, -67, -69) - Includes:	
	22-62313-00	Harness, Control (68RM50-101-68 Only) - Includes:	
68	22-50144-00	Connector, Housing Kit, 4 Position, (J1)	1
69	22-50153-00	Terminal, Socket, Female (J1)	4
70	CM983-618	Connector, 24 Position (J6)	1
71	22-50152-00	Terminal, Socket, Female (J6)	24
72	22-50135-00	Connector, Female, 3 Position (JP7)	1
73	22-50148-00	Terminal, Female (JP7, JP8 & JP9)	8
74	22-50134-00	Connector, Female, 2 Position (JP8)	1
75	22-50275-00	Connector, Female, 3 Position (JP9)	1
76	22-50122-05	Terminal, Female (Relay Connector)	12
77	22-50122-15	Terminal, Female	8
78	22-50346-00	Terminal, Female (JP7) (JP9)	3
79	22-50347-00	Terminal, Female (JP7) (JP9)	4
80	AC201-901	Connector, Relay	3
81	AC201-931	Lock, Connector, Relay	3
82	22-50359-00	Terminal, Socket (J1)	1
83	AC201-600	Diode, In-Line, 6 AMP	2
84	22-02336-04	Fuse, 10 AMP	1
85	22-02338-02	Holder, Fuse	1
86	12-00495-02SV	Thermistor Sensor Kit, Return Air (Replacement For 12-00305-04)	1
87	22-02336-25	Fuse, 20 AMP (68RM50-101-64, -67, -68, -69 Only)	1
88	22-02338-03	Holder, Fuse, With Cap (68RM50-101-64, -67, -68, -69 Only)	1
89	12-00523-00	Thermistor, FTS (Replacement For 12-00523-02) (68RM50-101-68 Only)	1



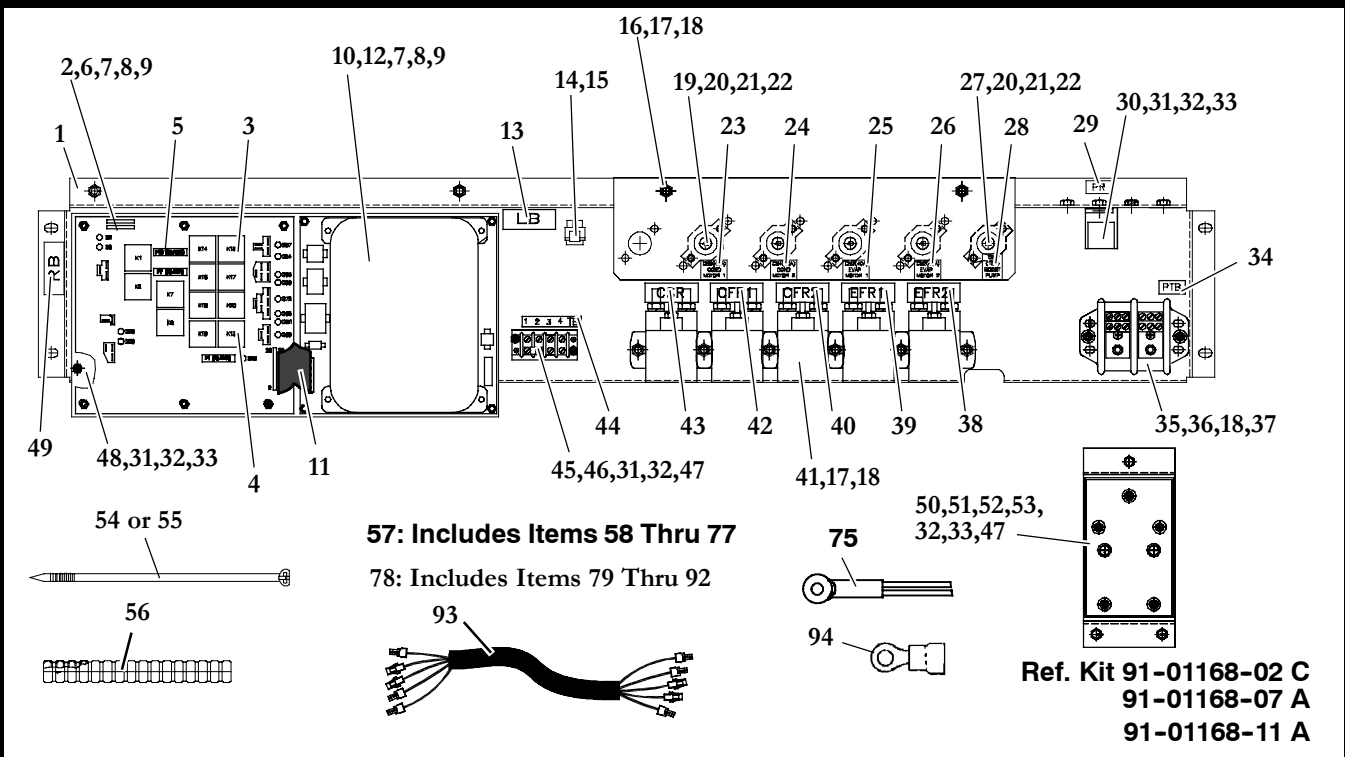
3.10 Electrical Control Panel - 68RM50-101-39, -41, -43 -45, -46, -47, -48, -49, -54, -58, -64, -67, -68, -69(Continued)



Item	Part Number	Description	Qty
90	22-02863-00	Wire Harness, Interface (68RM50-101-39, -43, -45, -46, -47, -49, -54, -54, -58, -67, -68, -69) - Includes:	1
	22-02864-00	Wire Harness, Interface (68RM50-101-41, -64 Only) - Includes:	
91	22-50146-00	Connector, 9 Position (J3)	1
92	22-50152-00	Terminal, Socket, Female (J3 & J4)	A/R
93	22-50143-00	Connector, 15 Position (J4)	1
94	22-50135-00	Connector, Female, 3 Position (JP3)	1
95	22-50148-00	Terminal, Female (JP3, JP4, JP5 & JP6)	A/R
96	22-50136-00	Connector, Female, 6 Position (JP4)	1
97	22-50137-00	Connector, Female, 5 Position (JP5)	1
98	22-50138-00	Connector, Female, 4 Position (JP6)	1
99	22-02392-00SV	Connector Kit, 2 Pin (WPF) - Includes:	1
100	NSS	Connector, 2 Pin, Black	1
101	22-02393-01	Terminal, Male (18-20 AWG)	2
102	22-02394-01	Seal, Cable, Blue	2
103	22-02393-01	Terminal, Male (18-20 AWG)	A/R
104	22-01566-01	Terminal, Female (18-20 AWG)	A/R



3.11 Electrical Control Panel - 68RM50-101-40, -50, -55, -57, -63, -65, -66



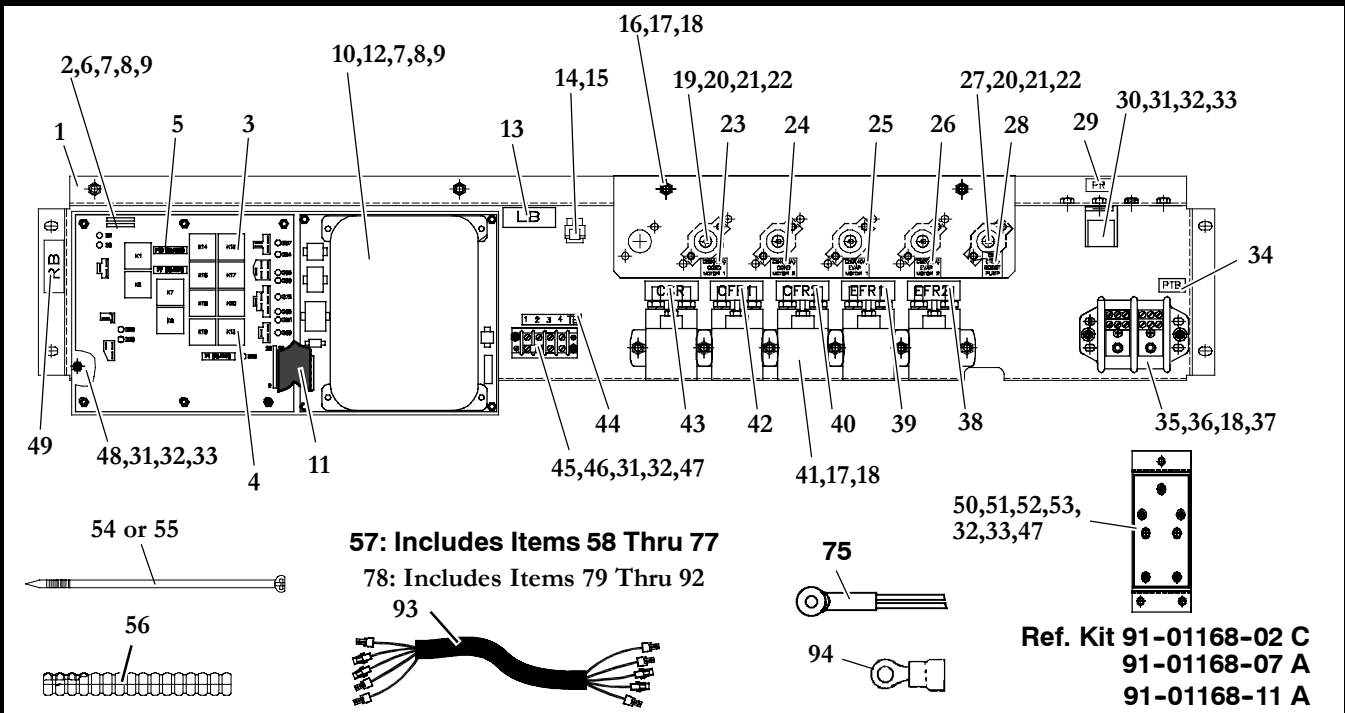
Item	Part Number	Description	Qty
1	68-62603-00	Panel Assembly, Electrical, Painted	1
2	12-00371-01	Board, Relay - Includes:	1
3	10-00286-11	Relay, 24 VDC, 40 Amp, SPDT	11
4	10-00286-12	Relay, 24 VDC, 40 Amp, SPDT (K13 Only)	1
5	22-02336-06	Fuse, 15 Amp	3
6	34-62000-00	Spacer, 5/16 Diameter x 1/2 Inch Long	6
7	58-00511-08	Washer, Nylon	10
8	34-00360-09	Nut, Hex, Self-Locking, #10-32	10
9	42-62005-00	Gasket, Relay Board	1
10	12-00392-15	Module, Controller Logic, 24VDC - Includes:	1
11	22-50236-00	Harness, Ribbon Cable, 26 Pin (Logic Module To Relay Board)	1
12	34-62000-01	Spacer, 5/16 Diameter x 1/4 Inch Long	4
13	62-62041-24	Label, LB	1
14	22-02336-04	Fuse, 10 Amp	1
15	22-01449-00	Clip, Fuse	1
16	68-62604-00	Panel, Circuit Breaker, Painted	1
17	34-62055-00	Bolt, Hex Head, With Split Lock Washer 1/4-20 x 5/8 Inch Long, SST	8
18	34-06212-12	Washer, Plain, 1/4, SST	10
19	10-00247-05	Circuit Breaker, 40 Amp	4
20	66U1-5371-10	Screw, Hex Head Slotted, #10-24 x 1 Inch Long, SST	10
21	34-06212-10	Washer, Plain, #10, SST	10
22	34-00667-09	Nut, Hex, Self-Locking, #10-24, SST	10
23	62-62043-06	Label, CB5 (40A) Cond Motor 1	1
24	62-62043-04	Label, CB4 (40A) Cond Motor 2	1
25	62-62043-02	Label, CB3 (40A) Evap Motor 1	1



3.11 Electrical Control Panel - 68RM50-101-40, -50, -55, -57, -63, -65, -66 (Continued)			
Item	Part Number	Description	Qty
26	62-62043-00	Label, CB2 (40A) Evap Motor 2	1
27	10-00247-03	Circuit Breaker, 15 Amp	1
28	62-62044-00	Label, CB1 (15A) Boost Pump	1
29	62-62041-25	Label, Power Relay	1
30	10-00286-09	Relay, 24VDC, 40 Amp, SPDT	1
31	34-00662-08	Washer, Plain, #8, SST	9
32	34-00663-08	Washer, Split Lock, #8, SST	14
33	34-06264-04	Screw, Hex Head Slotted, #08-32 x 1/2 Inch Long, SST	10
34	62-62041-26	Label, PTB	1
35	22-01594-00	Terminal Block, Power	1
36	34-00655-08	Bolt, Hex Head, 1/4-20 x 1 Inch Long, SST	2
37	34-00663-11	Washer, Split Lock, 1/4, SST	2
38	62-62041-21	Label, EFR2	1
39	62-62041-20	Label, EFR1	1
40	62-62041-13	Label, CFR2	1
41	10-00300-02	Contact, 28VDC, SPNO	5
42	62-62041-11	Label, CFR1	1
43	62-62041-16	Label, CSR	1
44	62-62040-04	Label, TB 1-4	1
45	22-01563-05	Terminal Block, 4 Pole	1
46	22-01612-00	Jumper, Terminal Block	1
47	34-06264-06	Screw, Hex Head Slotted, #08-32 x 3/4 Inch Long, SST	4
48	68RM40-157P	Panel Assembly, Relay Board & Logic Module, Painted	1
49	62-62041-27	Label, RB	1
50	10-00309-00	Relay, Evaporator Speed, 24VDC	1
51	10-00314-00	Cover, Relay	1
52	AC801-604	Grommet, 5/8 ID x 7/8 Hole, 1/8 Inch Groove	2
53	68-62275-00	Bracket Assembly, Relay, Painted	1
54	66U1-3882	Wire Tie, Self-Locking, 7 Inches, Black	40
55	AC701-301	Wire Tie, Self-Locking, 15 Inches, White	7
56	58-00850-00	Tubing, 0.92 Inch ID x 75.00 Feet Long, Black	1
57	22-62076-00	Wire Harness, Control (PM & WF) (68RM50-101-55, -57) - Includes:	1
	22-02901-00	Wire Harness, Control (PM & WF) (68RM50-101-40, -50, -63, -65, -66) - Includes:	
58	22-50144-00	Connector, Housing Kit, 4 Position, (J1)	1
59	22-50153-00	Terminal, Socket, Female (J1)	4
60	CM983-618	Connector, 24 Position (J6)	1
61	22-50152-00	Terminal, Socket, Female (J6)	24
62	22-50135-00	Connector, Female, 3 Position (JP7)	1
63	22-50148-00	Terminal, Female (JP7, JP8 & JP9)	8
64	22-50134-00	Connector, Female, 2 Position (JP8)	1
65	22-50275-00	Connector, Female, 3 Position (JP9)	1
66	22-50346-00	Terminal, Female (JP7) (JP9)	4
67	22-50347-00	Terminal, Female (JP7) (JP9)	4
68	22-50122-05	Terminal, Female (Relay Connector)	4
69	AC201-901	Connector, Relay	1



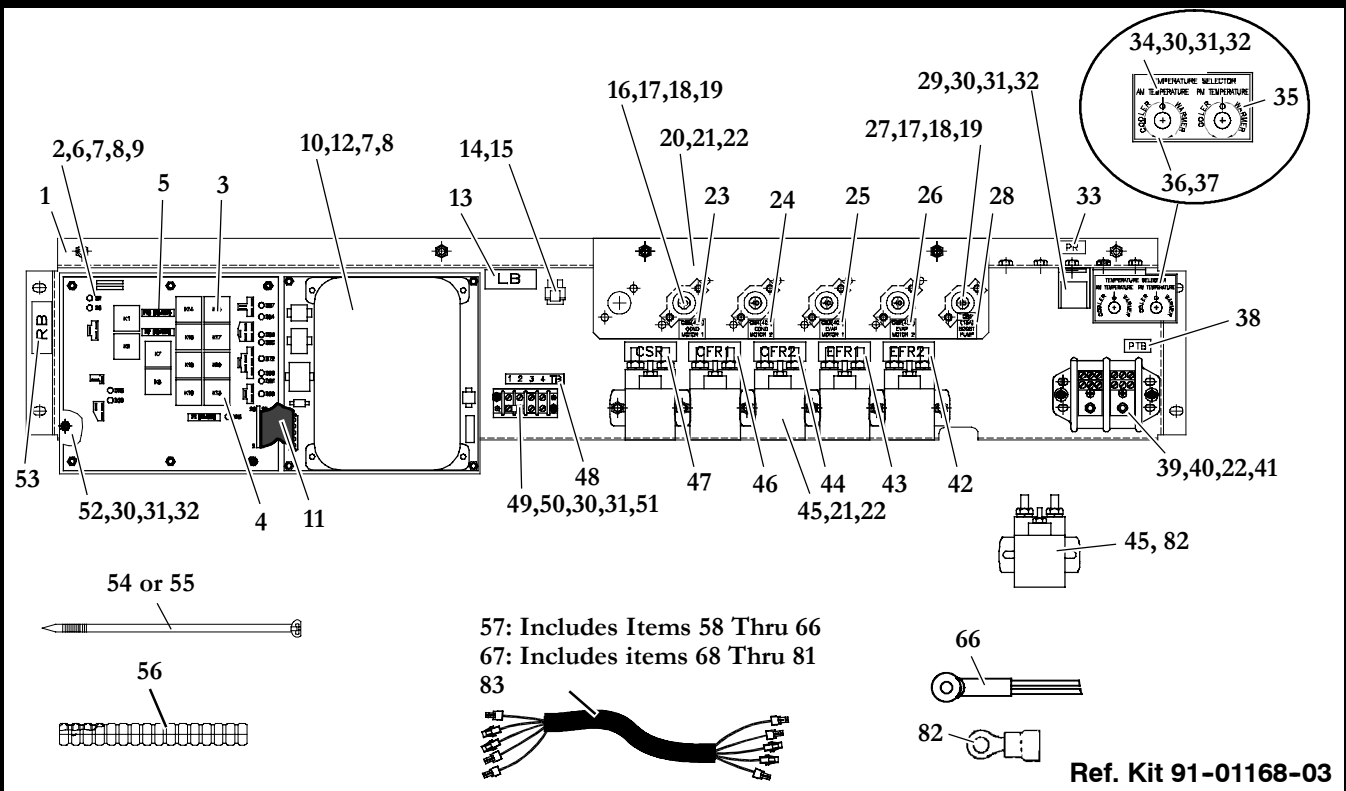
3.11 Electrical Control Panel 68RM50-101-40, -50, -55, -57, -63, -65, -66 (Continued)



Item	Part Number	Description	Qty
70	AC201-931	Lock, Connector, Relay	1
71	22-50359-00	Terminal, Socket (J1)	1
72	AC201-600	Diode, In-Line, 6 AMP	2
73	22-02336-04	Fuse, 10 AMP (68RM50-101-40, -50, -63, -65, -66 Only)	1
74	22-02338-02	Holder, Fuse (68RM50-101-40, -50, -63, -65, -66 Only)	1
75	12-00495-02SV	Thermistor Sensor Kit, (RAS) (Replacement For 12-00305-04)	1
76	22-02336-25	Fuse, 20 AMP	1
77	22-02338-03	Holder, Fuse, With Cap	1
78	22-02863-00	Wire Harness, Interface (68RM50-101-40, -50, -65, -66 Only) - Includes:	1
	22-02864-00	Wire Harness, Interface (68RM50-101-55, -57 Only) - Includes:	
79	22-50146-00	Connector, 9 Position (J3)	1
80	22-50152-00	Terminal, Socket, Female (J3 & J4)	A/R
81	22-50143-00	Connector, 15 Position (J4)	1
82	22-50135-00	Connector, Female, 3 Position (JP3)	1
83	22-50148-00	Terminal, Female (JP3, JP4, JP5 & JP6)	A/R
84	22-50136-00	Connector, Female, 6 Position (JP4)	1
85	22-50137-00	Connector, Female, 5 Position (JP5)	1
86	22-50138-00	Connector, Female, 4 Position (JP6)	1
87	22-02392-00SV	Connector Kit, 2 Pin (WPF) - Includes:	1
88	NSS	Connector, 2 Pin, Black	1
89	22-02393-01	Terminal, Male (18-20 AWG)	2
90	22-02394-01	Seal, Cable, Blue	2
91	22-02393-01	Terminal, Male (18-20 AWG)	A/R
92	22-01566-01	Terminal, Female (18-20 AWG)	A/R
93	22-62078-00	Harness, Power (PM)	1
94	22-00121-27	Terminal, Ring, #10, 18 Gauge, Red Nylon	2



3.12 Electrical Control Panel - 68RM50-101-42



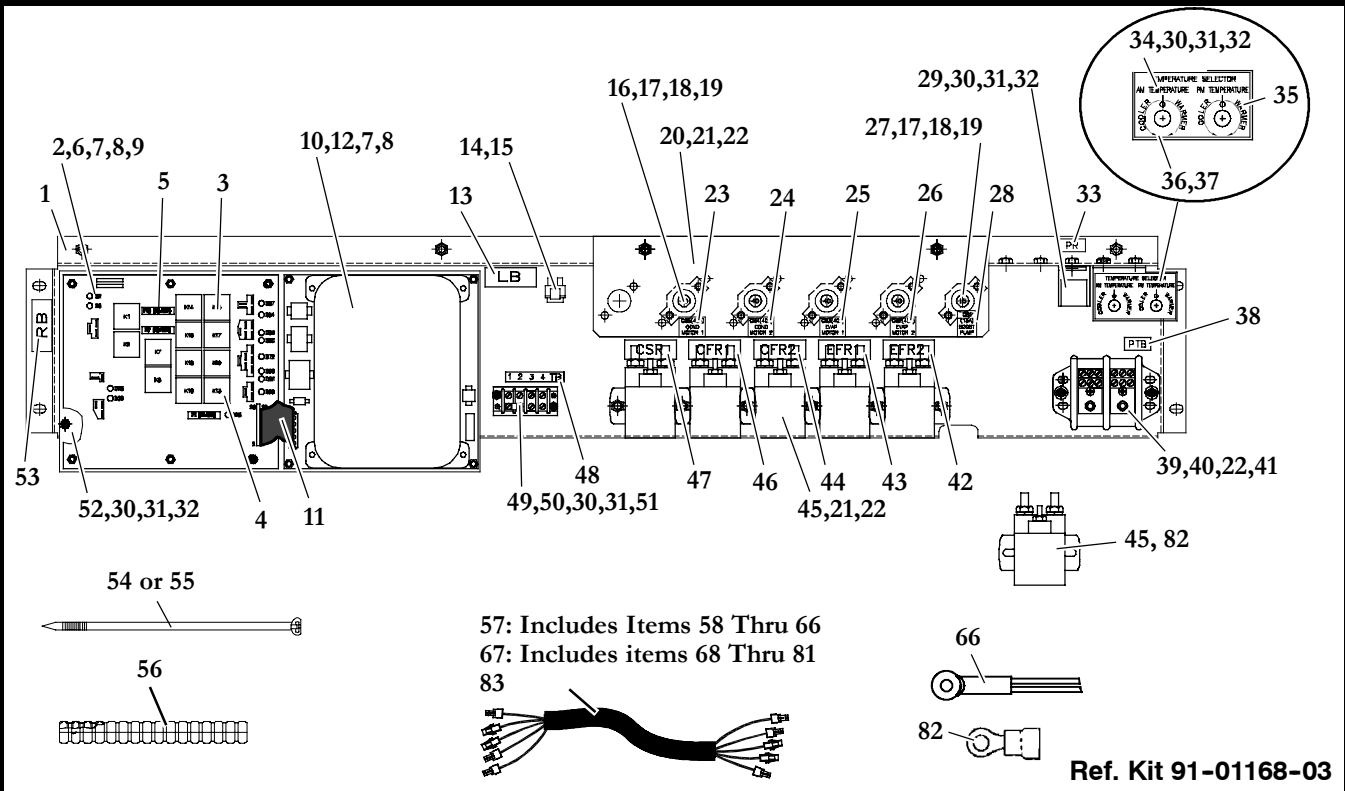
Item	Part Number	Description	Qty
1	68-63317-00	Panel Assembly, Electrical, Painted	1
2	12-00371-01	Board, Relay - Includes:	1
3	10-00286-11	Relay, 24 VDC, 40 Amp, SPDT	11
4	10-00286-12	Relay, 24 VDC, 40 Amp, SPDT (K13 Only)	1
5	22-02336-06	Fuse, 15 Amp	3
6	34-62000-00	Spacer, 5/16 Diameter x 1/2 Inch Long	6
7	58-00511-08	Washer, Nylon	10
8	34-00360-09	Nut, Hex, Self-Locking, #10-32	10
9	42-62005-00	Gasket, Relay Board	1
10	12-00392-15	Module, Controller Logic, 24VDC - Includes:	1
11	22-50236-00	Harness, Ribbon Cable, 26 Pin (Logic Module To Relay Board)	1
12	34-62000-01	Spacer, 5/16 Diameter x 1/4 Inch Long	4
13	62-62041-24	Label, LB	1
14	22-02336-04	Fuse, 10 Amp	1
15	22-01449-00	Clip, Fuse	1
16	10-00247-05	Circuit Breaker, 40 Amp	4
17	66U1-5371-10	Screw, Hex Head Slotted, #10-24 x 1 Inch Long, SST	10
18	34-06212-10	Washer, Plain, #10, SST	10
19	34-00667-09	Nut, Hex, Self-Locking, #10-24, SST	10
20	68-62604-00	Panel, Circuit Breaker, Painted	1
21	34-62055-00	Bolt, Hex Head, With Split Lock Washer, 1/4-20 x 5/8 Inch Long, SST	8
22	34-06212-12	Washer, Plain, 1/4, SST	10
23	62-62043-06	Label, CB5 (40A) Cond Motor 1	1
24	62-62043-04	Label, CB4 40A) Cond Motor 2	1



3.12 Electrical Control Panel - 68RM50-101-42 (Continued)			
Item	Part Number	Description	Qty
25	62-62043-02	Label, CB3 (40A) Evap Motor 1	1
26	62-62043-00	Label, CB2 (40A) Evap Motor 2	1
27	10-00247-03	Circuit Breaker, 15 Amp	1
28	62-62044-00	Label, CB1 (15A) Boost Pump	1
29	10-00286-09	Relay, 24VDC, 40 Amp, SPDT	1
30	34-00662-08	Washer, Plain, #8, SST	9
31	34-00663-08	Washer, Split Lock, #8, SST	14
32	34-06264-04	Screw, Hex Head Slotted, #08-32 x 1/2 Inch Long, SST	10
33	62-62041-25	Label, Power Relay	1
34	68-63316-00	Bracket, Temperature Selector	1
35	68RM50-1080	Label, AM/PM Temperature Selector	1
36	22-62191-00	Switch Assembly, Temperature, AM/PM	1
37	10-00312-00	Knob, Temperature Selector, AM, PM	2
38	62-62041-26	Label, PTB	1
39	22-01594-00	Terminal Block, Power	1
40	34-00655-08	Bolt, Hex Head, 1/4-20 x 1 Inch Long, SST	2
41	34-00663-11	Washer, Split Lock, 1/4, SST	2
42	62-62041-21	Label, EFR2	1
43	62-62041-20	Label, EFR1	1
44	62-62041-13	Label, CFR2	1
45	10-00300-02	Contact, 28VDC, SPNO	5
46	62-62041-11	Label, CFR1	1
47	62-62041-16	Label, CSR	1
48	62-62040-04	Label, TB 1-4	1
49	22-01563-05	Terminal Block, 4 Pole	1
50	22-01612-00	Jumper, Terminal Block	1
51	34-06264-06	Screw, Hex Head Slotted, #08-32 x 3/4 Inch Long, SST	4
52	68RM40-157P	Panel Assembly, Relay Board And Logic Module, Painted	1
53	62-62041-27	Label, RB	1
54	66U1-3882	Wire Tie, Self-Locking, 7 Inches, Black	40
55	AC701-301	Wire Tie, Self-Locking, 15 Inches, White	7
56	58-00850-00	Tubing, 0.92 Inch ID x 75.00 Feet Long, Black	1
57	22-62076-00	Wire Harness, Control (PM & WF) - Includes:	1
58	22-50144-00	Connector, Housing Kit, 4 Position (J1)	1
59	22-50153-00	Terminal, Socket, Female (J1)	4
60	CM983-618	Connector, 24 Position(J6)	1
61	22-50152-00	Terminal, Socket, Female (J6)	24
62	22-50135-00	Connector, Female, 3 Position (J7)	1
63	22-50148-00	Terminal, Female (J7, J8 & J9)	8
64	22-50134-00	Connector, Female, 2 Position (J8)	1
65	22-50275-00	Connector, Female, 3 Position (J9)	1



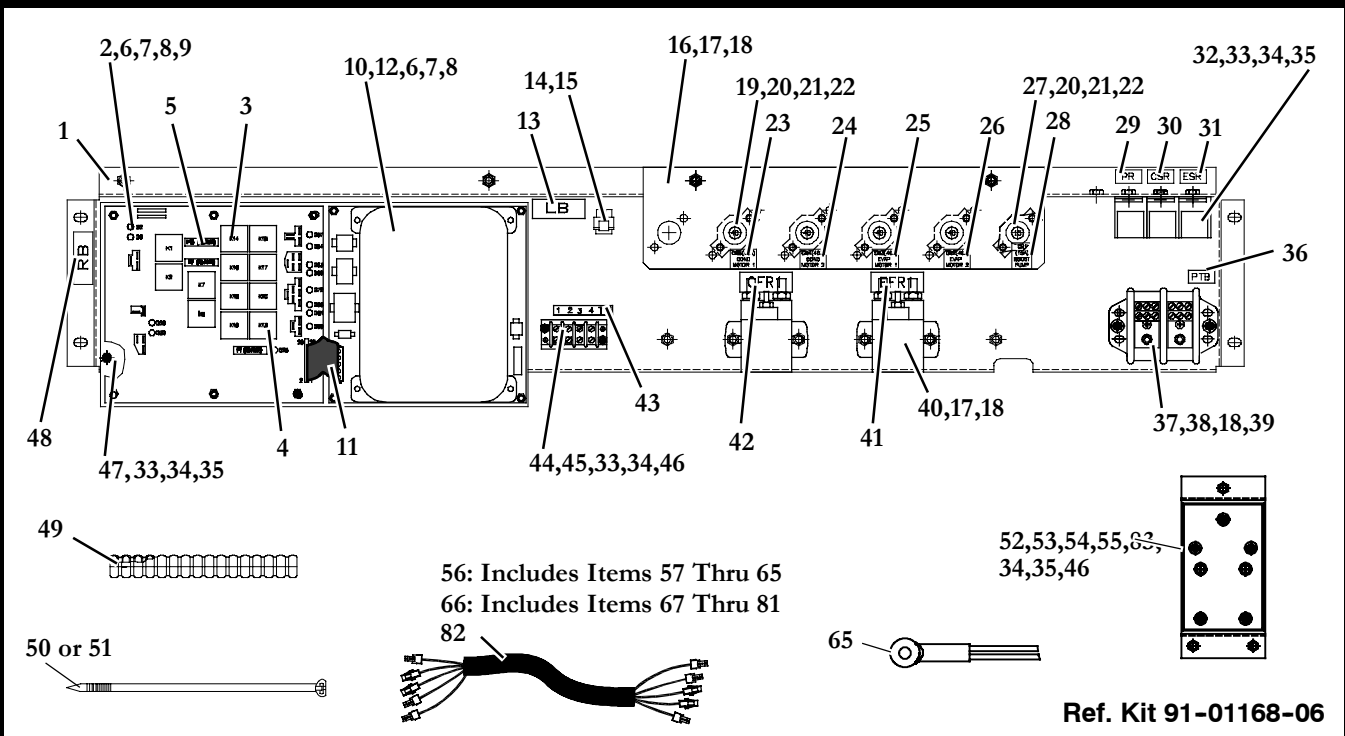
3.12 Electrical Control Panel - 68RM50-101-42 (Continued)



Item	Part Number	Description	Qty
66	12-00495-02SV	Thermistor Sensor Kit, Return Air (Replacement For 12-00305-04)	1
67	22-02863-00	Wire Harness, Interface - Includes:	1
68	22-50146-00	Connector, 9 Position (J3)	1
69	22-50152-00	Terminal, Socket, Female (J3 & J4)	6
70	22-50143-00	Connector, 15 Position (J4)	1
71	22-50135-00	Connector, Female, 3 Position (JP3)	1
72	22-50148-00	Terminal, Female (JP3, JP4, JP5 & JP6)	14
73	22-50136-00	Connector, Female, 6 Position (JP4)	1
74	22-50137-00	Connector, Female, 5 Position (JP5)	1
75	22-50138-00	Connector, Female, 4 Position (JP6)	1
76	22-02392-00SV	Connector Kit, 2 Pin (WPF) - Includes:	1
77	NSS	Connector, 2 Pin, Black	1
78	22-02393-01	Terminal, Male (18-20 AWG)	2
79	22-02394-01	Seal, Cable, Blue	2
80	22-02393-01	Terminal, Male (18-20 AWG)	7
81	22-01566-01	Terminal, Female (18-20 AWG)	12
82	AC201-241	Terminal, Ring, #6, 18 Gauge, Red Nylon	2
83	22-62079-00	Harness, Power (WF)	1



3.13 Electrical Control Panel - 68RM50-101-56



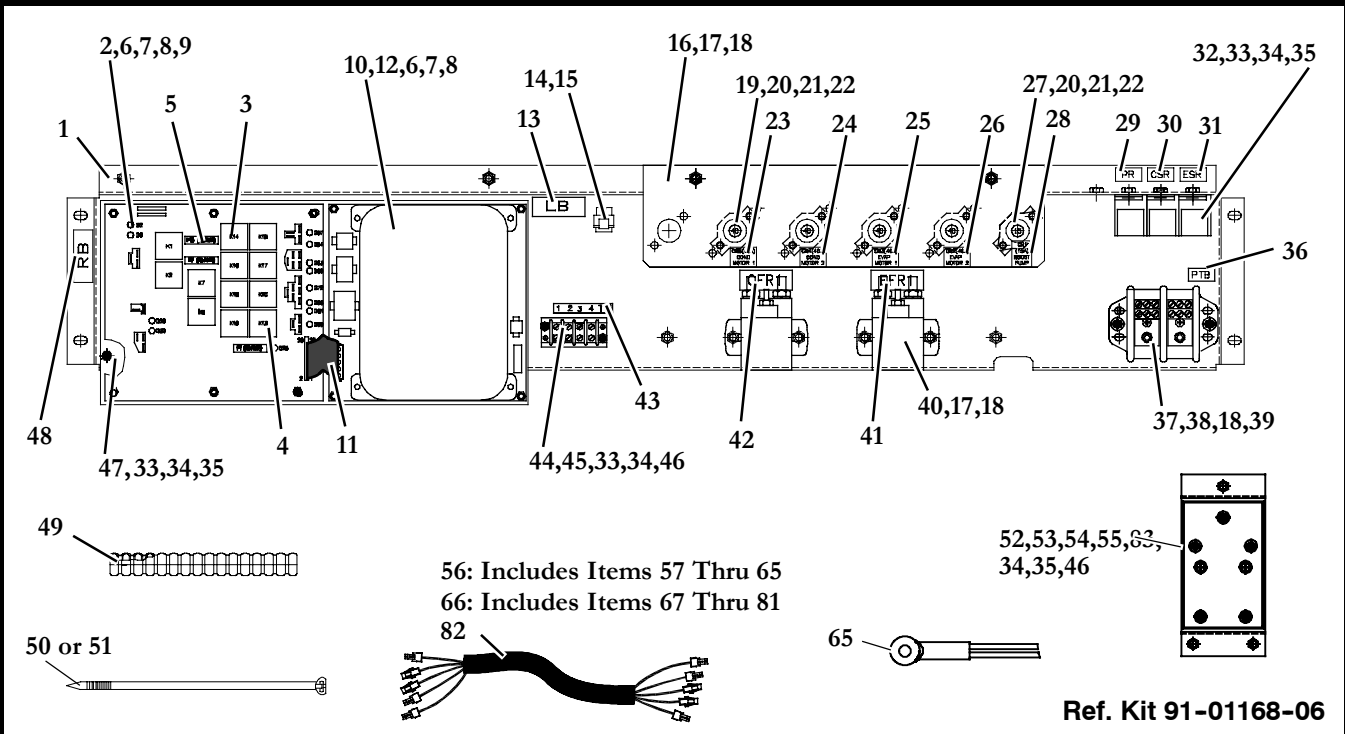
Item	Part Number	Description	Qty
1	68-62603-00	Panel Assembly, Electrical, Painted	1
2	12-00371-01	Board, Relay - Includes:	1
3	10-00286-11	Relay, 24 VDC, 40 Amp, SPDT	11
4	10-00286-12	Relay, 24 VDC, 40 Amp, SPDT (K13 Only)	1
5	22-02336-06	Fuse, 15 Amp	3
6	34-62000-00	Spacer, 5/16 Diameter x 1/2 Inch Long	6
7	58-00511-08	Washer, Nylon	10
8	34-00360-09	Nut, Hex, Self-Locking, #10-32	10
9	42-62005-00	Gasket, Relay Board	1
10	12-00392-15	Module, Controller Logic, 24VDC - Includes:	1
11	22-50236-00	Harness, Ribbon Cable, 26 Pin (Logic Module To Relay Board)	1
12	34-62000-01	Spacer, 5/16 Diameter x 1/4 Inch Long	4
13	62-62041-24	Label, LB	1
14	22-02336-04	Fuse, 10 Amp	1
15	22-01449-00	Clip, Fuse	1
16	68-62604-00	Panel, Circuit Breaker, Painted	1
17	34-62055-00	Bolt, Hex Head, W/Split Lock Washer, 1/4-20 x 5/8 Inch Long, SST	6
18	34-06212-12	Washer, Plain, 1/4, SST	8
19	10-00247-05	Circuit Breaker, 40 Amp	4
20	66U1-5371-10	Screw, Hex Head Slotted, #10-24 x 1 Inch Long, SST	10
21	34-06212-10	Washer, Plain, #10, SST	10
22	34-00667-09	Nut, Hex, Self-Locking, #10-24, SST	10
23	62-62043-06	Label, CB5 (40A) Cond Motor 1	1
24	62-62043-04	Label, CB4 (40A) Cond Motor 2	1
25	62-62043-02	Label, CB3 (40A) Evap Motor 1	1
26	62-62043-00	Label, CB2 (40A) Evap Motor 2	1



3.13 Electrical Control Panel - 68RM50-101-56 (Continued)			
Item	Part Number	Description	Qty
27	10-00247-03	Circuit Breaker, 15 Amp	1
28	62-62044-00	Label, CB1 (15A) Boost Pump	1
29	62-62041-25	Label, Power Relay	1
30	62-62041-16	Label, CSR	1
31	62-62041-22	Label, ESR	1
32	10-00286-09	Relay, 24VDC, 40 Amp, SPDT	3
33	34-00662-08	Washer, Plain, #8, SST	11
34	34-00663-08	Washer, Split Lock, #8, SST	16
35	34-06264-04	Screw, Hex Head Slotted, #08-32 x 1/2 Inch Long, SST	12
36	62-62041-26	Label, PTB	1
37	22-01594-00	Terminal Block, Power	1
38	34-00655-08	Bolt, Hex Head, 1/4-20 x 1 Inch Long, SST	2
39	34-00663-11	Washer, Split Lock, 1/4, SST	2
40	10-00300-02	Contactor, 28VDC, SPNO	2
41	62-62041-20	Label, EFR1	1
42	62-62041-11	Label, CFR1	1
43	62-62040-04	Label, TB 1-4	1
44	22-01563-05	Terminal Block, 4 Pole	1
45	22-01612-00	Jumper, Terminal Block	1
46	34-06264-06	Screw, Hex Head Slotted, #08-32 x 3/4 Inch Long, SST	4
47	68RM40-157P	Panel Assembly, Relay Board & Logic Module, Painted	1
48	62-62041-27	Label, RB	1
49	58-00850-00	Tubing, 0.92 Inch ID x 75.00 Feet Long, Black	1
50	66U1-3882	Wire Tie, Self-Locking, 7 Inches, Black	40
51	AC701-301	Wire Tie, Self-Locking, 15 Inches, White	7
52	10-00309-00	Relay, Evaporator Speed, 24VDC	1
53	10-00314-00	Cover, Relay	1
54	AC801-604	Grommet, 5/8 ID x 7/8 Hole, 1/8 Inch Groove	2
55	68-62275-00	Bracket Assembly, Relay, Painted	1
56	22-62076-00	Wire Harness, Control (PM & WF) - Includes:	1
57	22-50144-00	Connector, Housing Kit, 4 Position, (J1)	1
58	22-50153-00	Terminal, Socket, Female (J1)	4
59	CM983-618	Connector, 24 Position (J6)	1
60	22-50152-00	Terminal, Socket, Female (J6)	24
61	22-50135-00	Connector, Female, 3 Position (JP7)	1
62	22-50148-00	Terminal, Female (JP7, JP8 & JP9)	8
63	22-50134-00	Connector, Female, 2 Position (JP8)	1
64	22-50275-00	Connector, Female, 3 Position (JP9)	1
65	12-00495-02SV	Thermistor Sensor Kit, Return Air (Replacement For 12-00305-04)	1
66	22-02875-00	Wire Harness, Interface - Includes:	1
67	22-50146-00	Connector, 9 Position (J3)	1
68	22-50152-00	Terminal, Socket, Female (J3 & J4)	7
69	22-50143-00	Connector, 15 Position (J4)	1



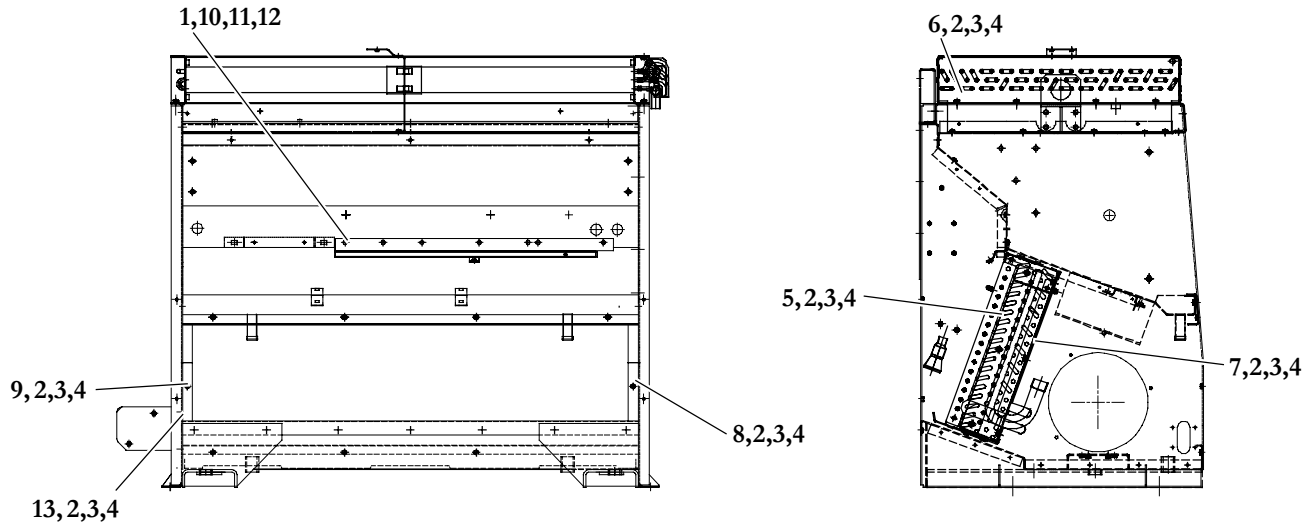
3.13 Electrical Control Panel - 68RM50-101-56 (Continued)



Item	Part Number	Description	Qty
70	22-50135-00	Connector, Female, 3 Position (JP3)	1
71	22-50148-00	Terminal, Female (JP3, JP4, JP5 & JP6)	13
72	22-50136-00	Connector, Female, 6 Position (JP4)	1
73	22-50137-00	Connector, Female, 5 Position (JP5)	1
74	22-50138-00	Connector, Female, 4 Position (JP6)	1
75	22-02392-00SV	Connector Kit, 2 Pin (WPF) - Includes:	1
76	NSS	Connector, 2 Pin, Black	1
77	22-02393-01	Terminal, Male (18-20 AWG)	2
78	22-02394-01	Seal, Cable, Blue	2
79	22-02393-01	Terminal, Male (18-20 AWG)	6
80	22-01566-01	Terminal, Female (18-20 AWG)	16
81	22-50347-00	Terminal, Female (JP4)	2
82	22-62078-00	Harness, Power (WF)	1
83	AC201-241	Terminal, Ring, #6, 18 Gauge, Red Nylon	2



4 COIL KIT



Ref. Kit 68RM50-107-7
68RM50-107-10
68RM50-107-11
68RM50-107-12
68RM50-107-13

Item	Part Number	Description	Qty
4.1 Coil Kit - Common Parts, All Models			
1	68RM50-178P	Retainer Assembly, Filter, Painted	1
2	34-00792-06	Screw, Cap, Hex Head, 5/16-18 x 3/4 Inch Long, SST	27
3	34-06212-13	Washer, Flat, 5/16 Inch, SST	27
4	34-00663-12	Washer, Split Lock, 5/16 Inch, SST	27
4.2 Coil Kit - Models 68RM50-100-12, 100-14, 101-13, 101-16			
5	08-62009-00	Coil Assembly, Evaporator (Aluminum/Copper)	1
6	AC101-615-2	Coil Assembly, Condenser, Precoated (Aluminum/Copper)	1
7	AC101-617	Coil Assembly, Heater (Aluminum/Copper)	1
8	68RM50-172P	Bracket Assembly, Header End, Evaporator Coil, Painted	1
9	68RM50-173P	Bracket Assembly, Hairpin End, Evaporator Coil, Painted	1
10	34-00655-06	Screw, Cap, Hex Head, 1/4 -20 x 3/4 Inch Long, SST	5
11	34-06212-12	Washer, Flat, 1/4 Inch, SST	5
12	34-00663-11	Washer, Split Lock, 1/4 Inch, SST	5
13	68RM50-1075P	Plate, Block Off, Evaporator Coil, Painted	1

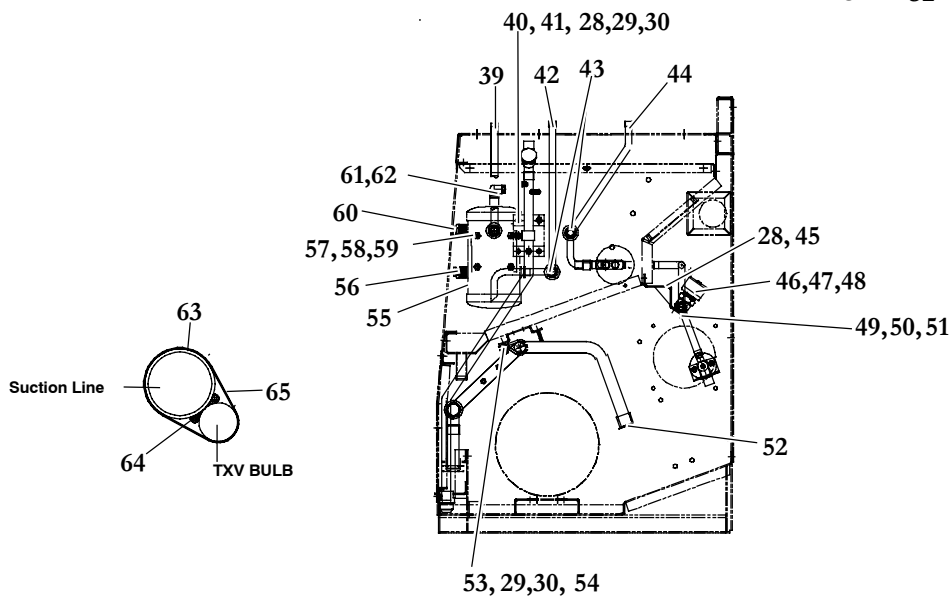
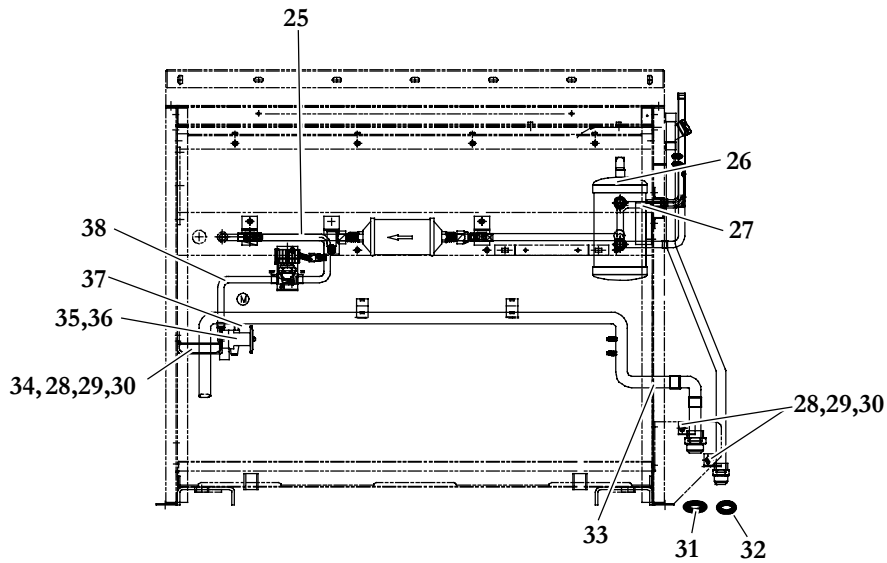
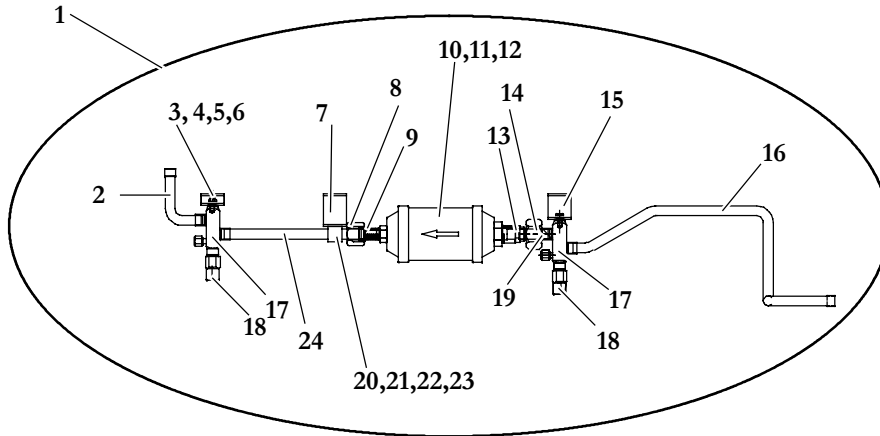


4 COIL KIT (Continued)			
Item	Part Number	Description	Qty
4.3 Coil Kit - Model 68RM50-101-10			
5	08-62009-01	Coil Assembly, Evaporator, Polyester Dip (Aluminum/Copper)	1
6	AC101-615	Coil Assembly, Condenser (Aluminum/Copper)	1
7	AC101-617-2	Coil Assembly, Heater, Polyester Dip (Aluminum/Copper)	1
8	68RM50-172P	Bracket Assembly, Header End, Evaporator Coil, Painted	1
9	68RM50-173P	Bracket Assembly, Hairpin End, Evaporator Coil, Painted	1
10	34-00655-06	Screw, Cap, Hex Head, 1/4 -20 x 3/4 Inch Long, SST	5
11	34-06212-12	Washer, Flat, 1/4 Inch, SST	5
12	34-00663-11	Washer, Split Lock, 1/4 Inch, SST	5
13	68RM50-1075P	Plate, Block Off, Evaporator Coil, Painted	1
4.4 Coil Kit - Model 68RM50-101-15			
5	08-62009-00	Coil Assembly, Evaporator (Aluminum/Copper)	1
6	AC101-615-1	Coil Assembly, Condenser (Copper/Copper)	1
7	AC101-617-1	Coil Assembly, Heater (Copper/Copper)	1
8	68RM50-172P	Bracket Assembly, Header End, Evaporator Coil, Painted	1
9	68RM50-173P	Bracket Assembly, Hairpin End, Evaporator Coil, Painted	1
10	34-00655-06	Screw, Cap, Hex Head, 1/4 -20 x 3/4 Inch Long, SST	5
11	34-06212-12	Washer, Flat, 1/4 Inch, SST	5
12	34-00663-11	Washer, Split Lock, 1/4 Inch, SST	5
13	68RM50-1075P	Plate, Block Off, Evaporator Coil, Painted	1
4.5 Coil Kit - Models 68RM50-100-16, -17, -18, 101-18, 101-19, -20, -21, -22, -24, -25, -26, -27, -28, -29, -30, -31, -33, -34, -35, -36, -38, -39, -40, -41, -42, -44, -45, -46, -47, -48, -49, -50, -51, -53, -54, -55, -56, -57, -59, -60, -62, -63, -64, -65, -66, -67, -68, -69			
5	08-62042-00	Coil Assembly, Evaporator/Heater (Aluminum/Copper)	1
6	AC101-615-2	Coil Assembly, Condenser, Precoated (Aluminum/Copper)	1
8	86-62302-00	Bracket Assembly, Header End, Evaporator Coil, Painted	1
10	34-62011-00	Screw, Hex Head, SEMS, With Lock Washer, 1/4 -20 x 1 Inch Long, SST	5
4.6 Coil Kit - Model 68RM50-101-23, -43, -58			
5	08-62042-01	Coil Assembly, Evaporator/Heater (Copper/Copper)	1
6	AC101-615-2	Coil Assembly, Condenser, Precoated (Aluminum/Copper)	1
8	86-62302-00	Bracket Assembly, Header End, Evaporator Coil, Painted	1
10	34-62011-00	Screw, Hex Head, SEMS, With Lock Washer, 1/4 -20 x 1 Inch Long, SST	5



5 REFRIGERANT PIPING KIT - R-22 MODELS

5.1 Refrigerant Piping Kit - Common Parts - All R-22 Models

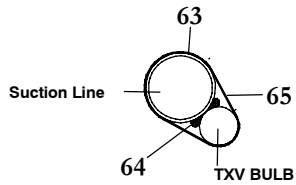
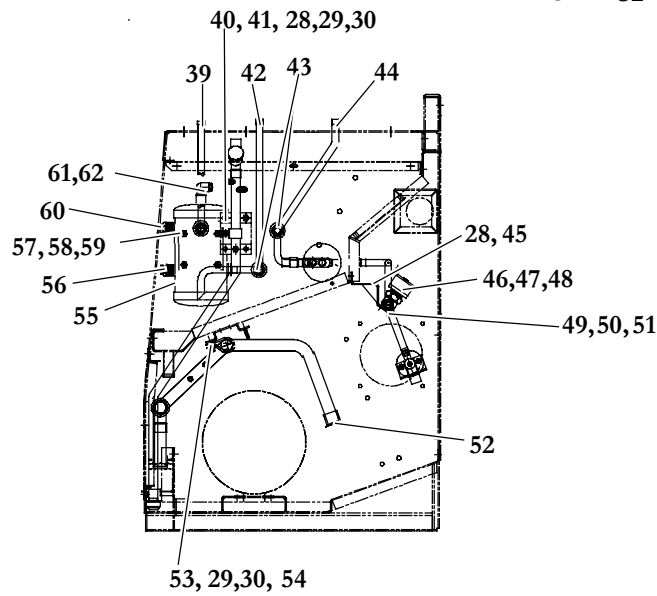
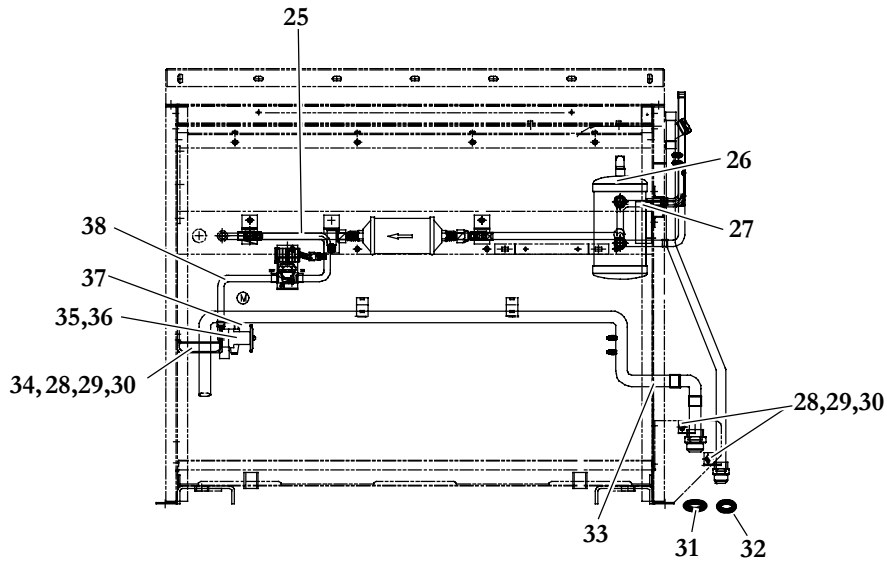
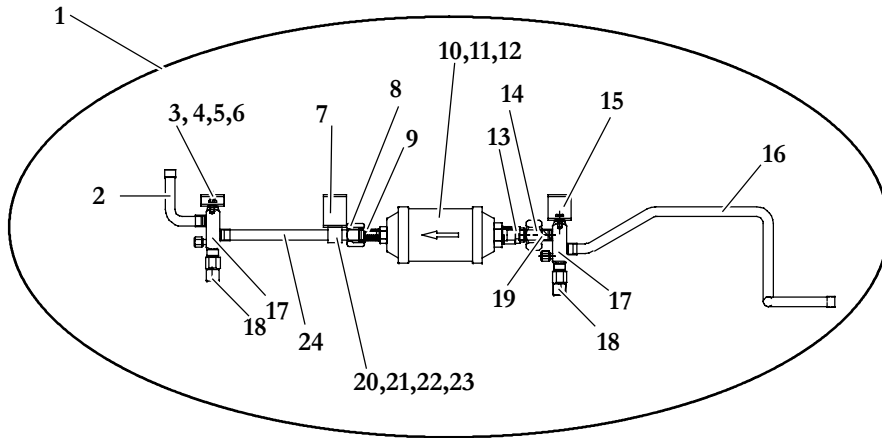




5.1 Refrigerant Piping Kit - Common Parts - All R-22 Models (Continued)			
Item	Part Number	Description	Qty
1	81-62057-00	Liquid Line Assembly- Includes:	1
2	56-03829-00	Tube, Liquid, Bent, 5/8OD x .040W Copper	1
3	68-08092-00	Bracket, Support, Valve, Liquid Line, Painted	1
4	34-00799-04	Screw, Cap, Hex Head, 5/16-24 x 1/2 Inch Long, SST	2
5	34-06212-13	Washer, Flat, 5/16 Inch, SST	2
6	34-00663-12	Washer, Split Lock, 5/16 Inch, SST	2
7	68-08095-00	Bracket Assembly, Support, Tube, Liquid Line, Painted	1
8	34-06121-03	Nut, Hex, ORS, Braze (1-14 Threads)	1
9	40-00503-03	Collar,Tube, 5/8 ORS, Brass	1
10	AC101-309	Drier, Filter, 3/4 ORS x 5/8 ORS - Includes:	1
11	42-00243-03	O-Ring, .614 ID x .070 Thick	1
12	42-00243-11	O-Ring, .739 ID x .070 Thick	1
13	40-00503-04	Collar, Tube, 5/8 ORS, Nickel Plated Steel	1
14	34-06121-04	Nut, Hex, ORS Braze (1-3/16-12 Threads)	1
15	68-08091-00	Bracket, Support, Valve, Liquid Line, Painted	1
16	56-62132-00	Tube, Liquid, Bent, 5/8OD x .040W Copper	1
17	40-00501-06	Valve, King, Brass, 5/8 ODF	2
18	40-00501-50	Cap, King Valve, Service Port	2
19	56-00143-74	Tube, Copper, Straight, 5/8OD x .040W x 1.84 Inches Long	1
20	34-00373-07	Clamp, Tube, Insulated, 5/8	1
21	34-00655-06	Screw, Cap, Hex Head, 1/4 -20 x 3/4 Inch Long, SST	1
22	34-06212-12	Washer, Flat, 1/4 Inch, SST	1
23	34-00663-11	Washer, Split Lock, 1/4 Inch, SST	1
24	56-00143-49	Tube, Copper, Straight, 5/8OD x .040W x 9.00 Inches Long	1
25	56-62023-00	Tube, Liquid, Bent, Shut-Off To Solenoid	1
26	65-01093-00	Receiver Assembly, Plugged, Painted	1
27	56-03866-00	Tube, Liquid, Bent, 5/8OD x .040W Copper	1
28	34-00655-06	Screw, Cap, Hex Head, 1/4 -20 x 3/4 Inch Long, SST	14
29	34-06212-12	Washer, Flat, 1/4 Inch, SST	11
30	34-00663-11	Washer, Split Lock, 1/4 Inch, SST	16
31	42-00243-02	O-Ring, 1.484 ID x 0.139 Thick	1
32	42-00243-00	O-Ring, 0.921 ID x 0.139 Thick	1
33	58-00065-86	Grommet, 1-1/8 ID, 1-3/8 Hole, 1/8 Groove	1
34	68-62114-00	Bracket, Support, TXV, Painted	1
35	66U1-1214-5	Body, Flange, TXV, 5/8 ODF Inlet x 7/8 ODF Outlet	1
36	14-01104-52	Valve, Thermal Expansion, Without Body, R-22	1
37	56-62222-00	Tube Assembly, Equalizer, Bent, 1/4 OD x .028W Copper	1
38	56-62022-00	Tube, Liquid, Bent, 5/8OD x .040W Copper, Solenoid To TXV	1
39	68RM50-1028	Tube, Liquid, Bent, 5/8OD x .040W Copper	1
40	68RM50-195	Bracket Assembly, Support, Painted	1
41	AC701-222	Clamp, Insulated, Loom, 7/8 Inch	1
42	56-03826-00	Tube, Liquid, Bent, 5/8OD x .040W Copper	1
43	58-00065-85	Grommet, 7/8 ID, 1-1/8 Hole, 3/32 Groove	3
44	56-62131-00	Tube, Liquid, Bent, 5/8OD x .040W Copper	1



5.1 Refrigerant Piping Kit - Common Parts - R-22 Models (Continued)

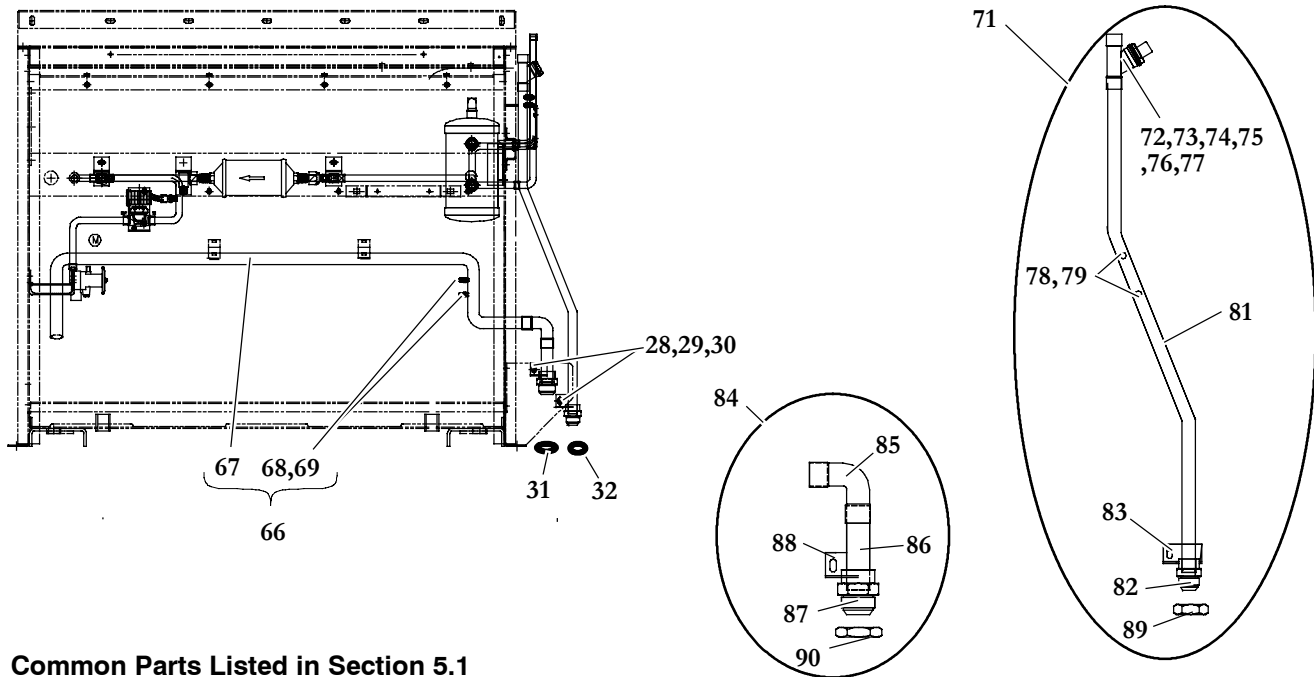




5.1 Refrigerant Piping Kit - Common Parts - R-22 Models (Continued)			
Item	Part Number	Description	Qty
45	68-62116-00	Bracket, Support, Solenoid Valve, Painted	1
46	14-00236-00	Valve, Solenoid, 5/8 ODF x 7/8 ODM - Includes:	1
47	14-00236-50	Coil, Solenoid Valve, 24 VDC	1
48	14-00236-51	Repair Kit, Solenoid Valve	1
49	34-06264-03	Screw, Hex Head Washer, #8-32 x 3/8 Inch Long, SST	2
50	34-00663-08	Washer, Split Lock, #8, SST	2
51	34-06212-08	Washer, Flat, #8, SST	2
52	40-00201-15	Bushing, Flush, 1-3/8ODM x 1-1/8ODS	1
53	AC701-224	Clamp, Insulated, Loom, 1-1/8 Inch	2
54	34-00666-11	Nut, Hex, 1/4-20, SST	2
55	AC901-580	Label, Sightglass, Wet/Dry	1
56	AC101-203	Sightglass, Indicator, Moisture, 7/8-14	1
57	34-00807-08	Screw, Cap, Hex Head, 3/8-16 x 1 Inch Long, SST	4
58	34-06212-14	Washer, Flat, 3/8 Inch, SST	4
59	34-00663-13	Washer, Split Lock, 3/8 Inch, SST	4
60	14-00111-00	Sight Glass, Receiver, (Red Ball Float)	1
61	40-00060-03	Elbow, Street, 90 Degree 3/8 FPT x 3/8 MPT	1
62	14-01032-01	Plug, Fusible, Safety, 3/8 NPTF	1
63	44-00045-03	Clamp, Insulated, 5/8 Inch	2
64	02-00010-00	Grease, Thermomastic, 6CC Syringe	1
65	42-00032-00	Tape, Insulation, Presstite, 1/8 Thick x 2.00 x 30.00 Feet Long	1
5.2 Refrigerant Piping Kit - R-22 - Models 68RM50-100-12, 100-14			
66	81-62058-00	Tube Assembly, Suction - Includes:	1
67	56-62133-00	Tube, Suction, Bent, 1-1/8OD x .050W Copper	1
68	40-01124-00	Body, Valve, Brass, 1/4 SAE Flare - Includes:	2
69	14-00351-00	Core, Access Valve (Nickel Plated)	2
70	DD19CA061	Cap, Seal, Flare, 1/4 Inch	1
71	68RM50-193	Tube Assembly, Discharge - Includes:	1
72	14-00281-04	Valve, Check, 7/8 ODF - Includes:	1
73	14-50050-01	Spring And Piston/Seat Assembly - Includes:	1
74	73-50006-00	Spring, Check Valve, SST	1
75	16-03301-00	Gasket, Check Valve	1
76	14-50093-00	Disk, Spacer, Check Valve Cap	1
77	14-50051-00	Cap, Check Valve	1
78	40-01124-00	Body, Valve, Brass, 1/4 SAE Flare - Includes:	2
79	14-00351-00	Core, Access Valve (Nickel Plated)	1
80	DD19CA061	Cap, Seal, Flare, 1/4 Inch	1
81	68RM50-1108	Tube, Discharge, Bent, 7/8OD x .045W Copper	1
82	DE07DA608	Adapter, 7/8 ODS x 1 Male 37 Degree JIC Flare	1
83	68RM50-1094	Bracket, Support, Tube	1
84	81-62056-00	Tube Assembly, Suction - Includes:	1
85	40-00071-46	Elbow, 90 Degree, Long Radius, Copper, 1-1/8 ODS	1
86	56-00146-35	Tube, Suction, Straight, 1-1/8OD x .050W x 4.12 Inches Long	1
87	DE07DA612	Adapter, 1-1/8 ODS x 1-1/4 Male 37 Degree JIC Flare	1
88	68RM35-1242-1	Bracket, Support, Tube	1



5.3 Refrigerant Piping Kit - R-22 - Models 68RM50-100-16, 100-17



Common Parts Listed in Section 5.1

Item	Part Number	Description	Qty
66	81-62120-00	Tube Assembly, Suction - Includes:	1
67	56-62249-00	Tube, Suction, Bent, 1-1/8OD x .050W Copper	1
68	40-01124-00	Body, Valve, Brass, 1/4 SAE Flare - Includes:	2
69	14-00351-00	Core, Valve, Schrader (Nickel Plated)	1
70	DD19CA061	Cap, Seal, Flare, 1/4 Inch	1
71	68RM50-193	Tube Assembly, Discharge - Includes:	1
72	14-00281-04	Valve, Check, 7/8 ODF - Includes:	1
73	14-50050-01	Spring And Piston/Seat Assembly - Includes:	1
74	73-50006-00	Spring, Check Valve, SST	1
75	16-03301-00	Gasket, Check Valve	1
76	14-50093-00	Disk, Spacer, Check Valve Cap	1
77	14-50051-00	Cap, Check Valve	1
78	40-01124-00	Body, Valve, Brass, 1/4 SAE Flare - Includes:	2
79	14-00351-00	Core, Valve, Schrader (Nickel Plated)	1
80	DD19CA061	Cap, Seal, Flare, 1/4 Inch	1
81	68RM50-1108	Tube, Discharge, Bent, 7/8OD x .045W Copper	1
82	DE07DA608	Adapter, 7/8 ODS x 1 Male 37 Degree JIC Flare	1
83	68RM50-1094	Bracket, Support, Tube	1
84	81-62056-00	Tube Assembly, Suction - Includes:	1
85	40-00071-46	Elbow, 90 Degree, Long Radius, Copper, 1-1/8 ODS	1
86	56-00146-35	Tube, Suction, Straight, 1-1/8OD x .050W x 4.12 Inches Long	1
87	DE07DA612	Adapter, 1-1/8 ODS x 1-1/4 Male 37 Degree JIC Flare	1
88	68RM35-1242-1	Bracket, Support, Tube	1

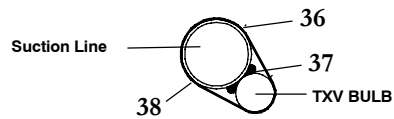
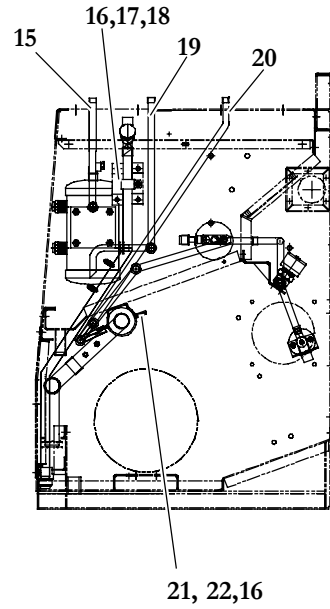
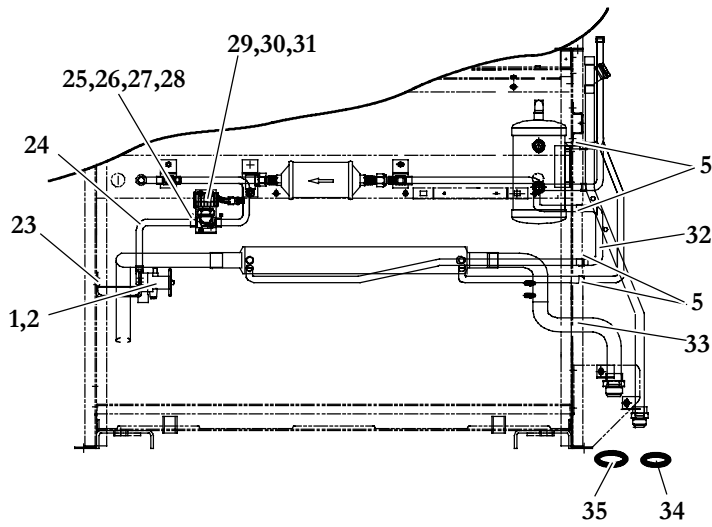
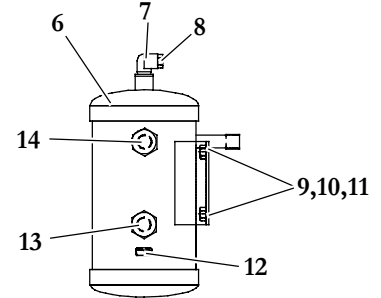
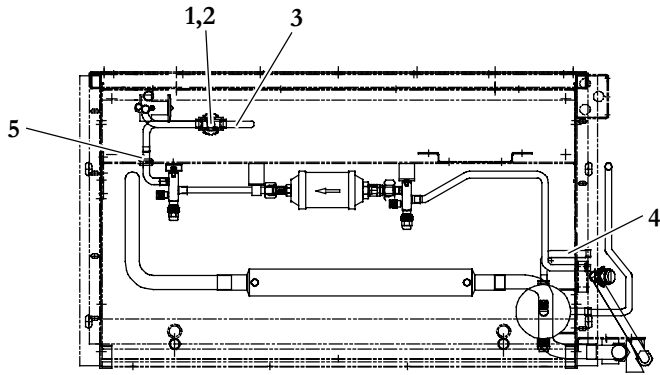


5.4 Refrigerant Piping Kit - R-22 - Model 68RM50-100-18			
Item	Part Number	Description	Qty
66	81-62120-00	Tube Assembly, Suction - Includes:	1
67	56-62249-00	Tube, Suction, Bent, 1-1/8OD x .050W Copper	1
68	40-01124-00	Body, Valve, Brass, 1/4 SAE Flare - Includes:	2
69	14-00351-00	Core, Valve, Schrader (Nickel Plated)	1
70	DD19CA061	Cap, Seal, Flare, 1/4 Inch	1
71	68RM50-193-1	Tube Assembly, Discharge, ORS - Includes:	1
72	14-00281-04	Valve, Check, 7/8 ODF - Includes:	1
73	14-50050-01	Spring And Piston/Seat Assembly - Includes:	1
74	73-50006-00	Spring, Check Valve, SST	1
75	16-03301-00	Gasket, Check Valve	1
76	14-50093-00	Disk, Spacer, Check Valve Cap	1
77	14-50051-00	Cap, Check Valve	1
78	40-01124-00	Body, Valve, Brass, 1/4 SAE Flare - Includes:	2
79	14-00351-00	Core, Valve, Schrader (Nickel Plated)	1
80	DD19CA061	Cap, Seal, Flare, 1/4 Inch	1
81	68RM50-1108	Tube, Discharge, Bent, 7/8OD x .045W Copper	1
82	40-00491-00	Fitting, ORS, 7/8 x 1-7/16-12	1
83	68-08041-01	Bracket, Support, Discharge Tube, ORS	1
89	34-06088-00	Nut, Hex, ORS, 1-7/16-12	1
84	81-62056-01	Tube Assembly, Suction, ORS - Includes:	1
85	40-00071-68	Elbow, 90 Degree, Reducing, Copper, 1-3/8 x 1-1/8 Inch ODS	1
86	56-62120-01	Tube, Suction, Straight, 1-3/8OD x .055W x 4.50 Inches Long	1
87	40-00491-04	Fitting, ORS, 1-3/8 x 2.00-12	1
88	68-08041-00	Bracket, Support, Suction Tube, ORS	1
90	34-06088-02	Nut, Hex, ORS, 2.00-12	1



6 REFRIGERANT PIPING KIT - R-134a MODELS

6.1 Refrigerant Piping Kit - Common Parts - All R-134a Models

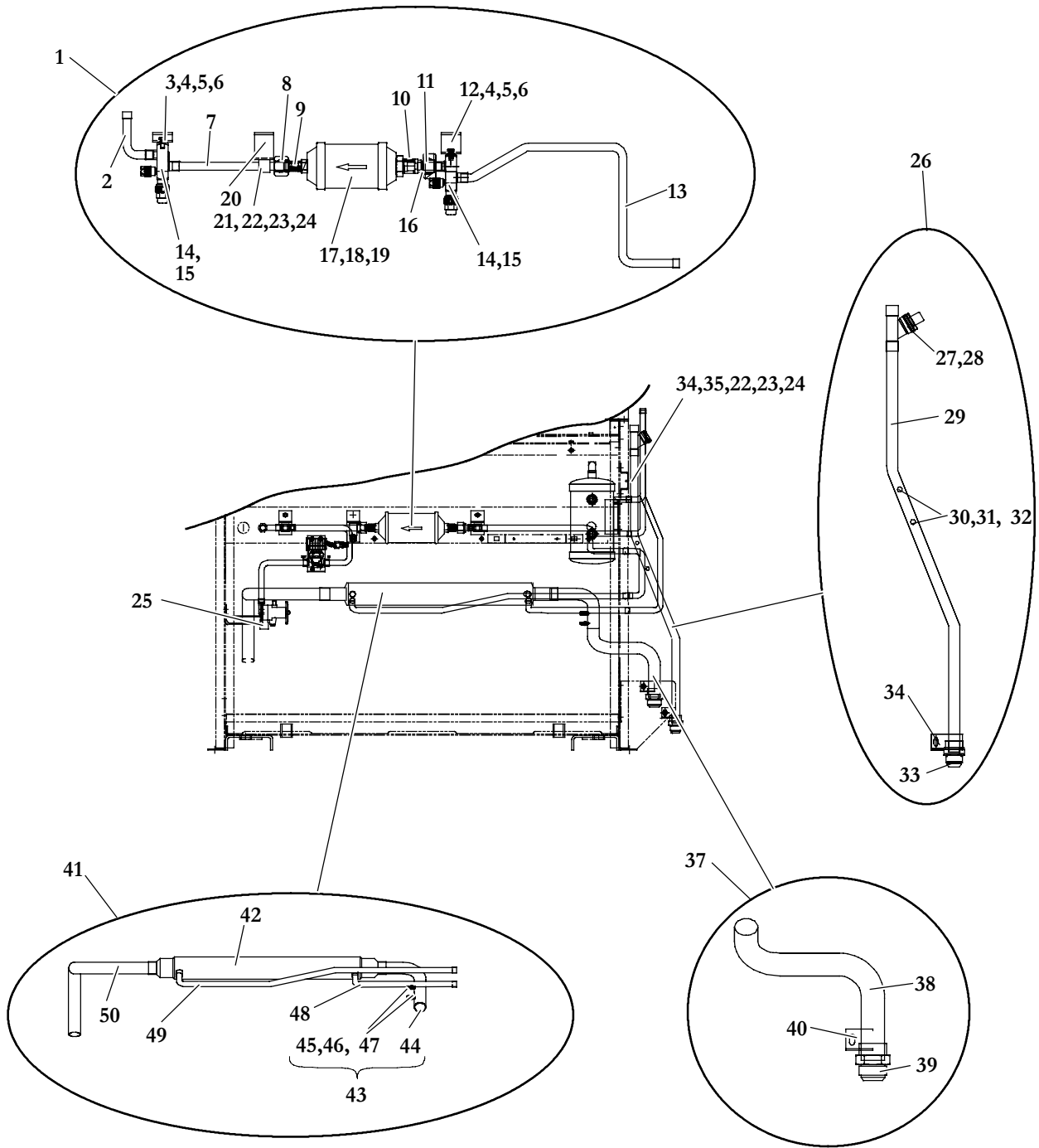




6.1 Refrigerant Piping Kit - Common Parts - All R-134a Models			
Item	Part Number	Description	Qty
1	14-01104-35	Valve, Thermal Expansion, Without Body, R-134A	1
2	56-62222-00	Tube Assembly, Equalizer, Bent, 1/4 OD x .028W Copper	1
3	56-62023-00	Tube, Liquid, Bent, Shut-Off To Solenoid	1
4	56-03866-00	Tube, Liquid, Bent, 5/8OD Copper, 68RM50-1061 To Sub cooler	1
5	58-00065-85	Grommet, 7/8 ID, 1-1/8 Hole, 3/32 Groove	5
6	65-01093-00	Receiver Assembly, Plugged, Painted	1
7	40-00060-03	Elbow, Street, 90 Degree 3/8 FPT x 3/8 MPT	1
8	14-01032-01	Plug, Fusible, Safety, 3/8 NPTF	1
9	34-00807-08	Screw, Cap, Hex Head, 3/8-16 x 1 Inch Long, SST	4
10	34-06212-14	Washer, Flat, 3/8 Inch, SST	4
11	34-00663-13	Washer, Split Lock, 3/8 Inch, SST	4
12	AC901-580	Label, Sightglass, Wet/Dry	1
13	AC101-203	Sightglass, Indicator, Moisture, 7/8-14	1
14	14-00111-00	Sight Glass, Receiver, (Red Ball Float)	1
15	56-03828-00	Tube, Liquid, Bent, 5/8OD Copper, Condenser To Receiver	1
16	34-00655-06	Screw, Cap, Hex Head, 1/4 -20 x 3/4 Inch Long, SST	A/R
17	34-06212-12	Washer, Flat, 1/4 Inch, SST	A/R
18	34-00663-11	Washer, Split Lock, 1/4 Inch, SST	A/R
19	56-03826-00	Tube, Liquid, Bent, 5/8OD Copper, Receiver To 68RM50-1060	1
20	56-62106-00	Tube, Liquid, Bent, 5/8OD Copper, Sub cooler To Heat Exchanger	1
21	68RM40-1188	Bracket, Heat Exchanger, SST	2
22	34-00667-11	Nut, Hex, Self-Locking, 1/4-20, SST	4
23	68-62114-00	Bracket, Support, TXV, Painted	1
24	56-62022-00	Tube, Liquid, Bent, 5/8OD x .040W Copper, Solenoid To TXV	1
25	68-62116-00	Bracket, Support, Solenoid Valve, Painted	1
26	34-00663-08	Washer, Split Lock, #8, SST	2
27	34-06264-03	Screw, Hex Head Washer, #8-32 x 3/8 Inch Long, SST	2
28	34-06212-08	Washer, Flat, #8, SST	2
29	14-00236-00	Valve, Solenoid, 5/8 ODF x 7/8 ODM - Includes:	1
30	14-00236-50	Coil, Solenoid Valve, 24 VDC	1
31	14-00236-51	Repair Kit, Solenoid Valve	1
32	56-03827-00	Tube, Liquid, Bent, 5/8OD Copper, Sub cooler To Filter Drier	1
33	58-00065-88	Grommet, 1-3/8 ID, 1-5/8 Hole, 5/32 Groove	1
34	42-00243-00	O-Ring, 0.921 ID x 0.139 Thick	1
35	42-00243-02	O-Ring, 1.484 ID x 0.139 Thick	1
36	44-00045-03	Clamp, Hose, Worm Type (7/8 - 1-3/4)	2
37	02-00010-01	Grease, Thermomastic, 6CC Syringe	1
38	42-00032-00	Tape, Insulation, Pressite, 1/8 Thick x 2.00 x 30.00 Feet Long	1



6.2 Refrigerant Piping Kit - Model 68RM50-101-10



Common Parts Listed In Section 6.1

Ref. Kit 68RM50-106-5

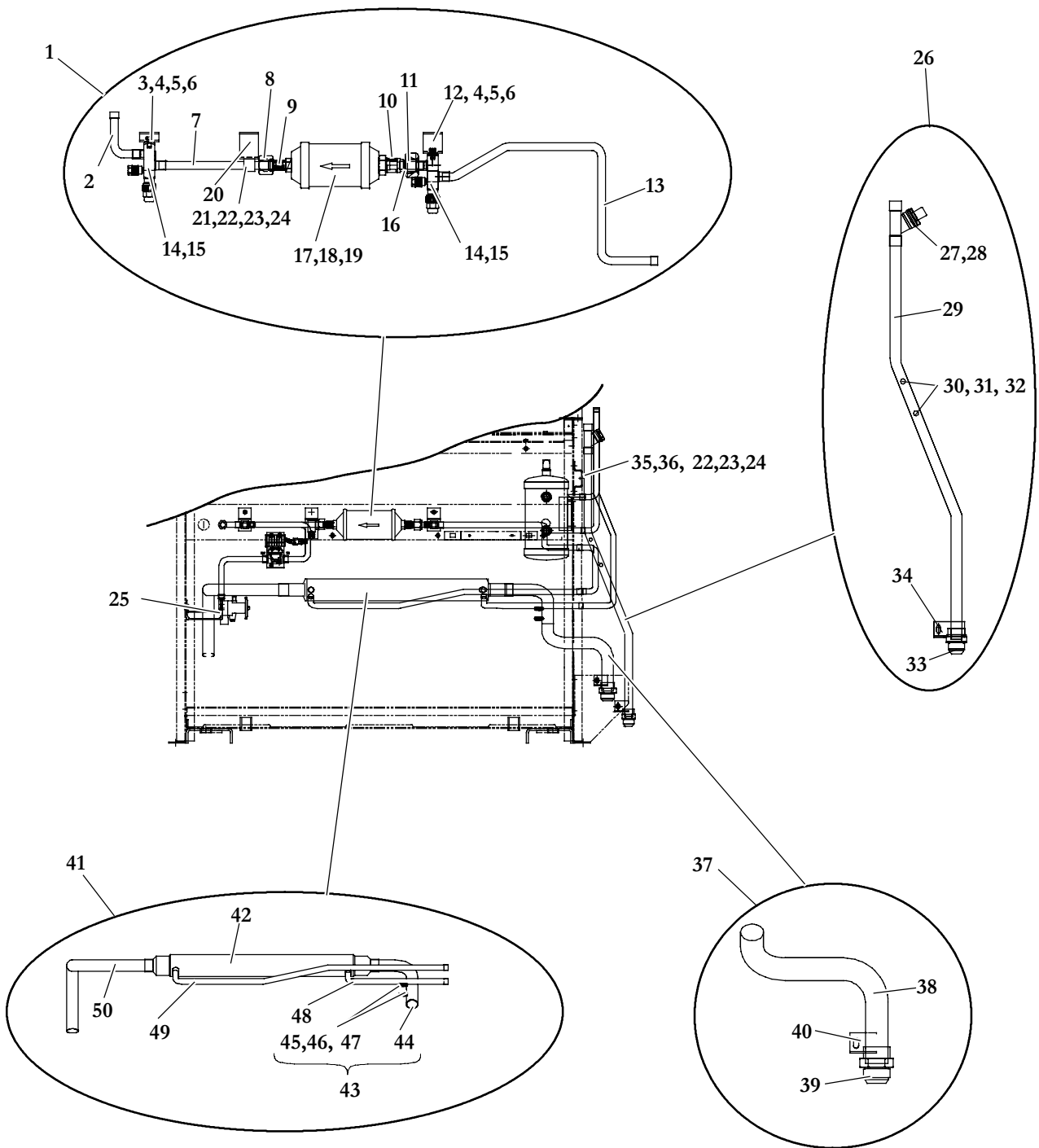
Item	Part Number	Description	Qty
1	68RM50-171	Liquid Line Assembly - Includes:	1
2	56-03829-00	Tube, Liquid, Bent, 5/8OD x .040W Copper	1
3	68-08092-00	Bracket, Support, Valve, Liquid Line, Painted	1
4	34-00799-04	Screw, Cap, Hex Head, 5/16-24 x 1/2 Inch Long, SST	2
5	34-06212-13	Washer, Flat, 5/16 Inch, SST	2



6.2 Refrigerant Piping Kit - Model 68RM50-101-10 (Continued)			
Item	Part Number	Description	Qty
6	34-00663-12	Washer, Split Lock, 5/16 Inch, SST	2
7	56-00143-49	Tube, Copper, Straight, 5/8OD x .040W x 9.00 Inches Long	1
8	34-06121-03	Nut, Hex, ORS, Braze (1-14 Threads)	1
9	40-00503-03	Collar, Tube, 5/8 ORS, Brass	1
10	40-00503-04	Collar, Tube, 5/8 ORS, Nickel Plated Steel	1
11	34-06121-04	Nut, Hex, ORS Braze (1-3/16-12 Threads)	1
12	68-08091-00	Bracket, Support, Valve, Liquid Line, Painted	1
13	56-03824-00	Tube, Liquid, Bent, 5/8OD x .040W Copper	1
14	40-00501-05	Valve, King, Brass, 5/8 ODF	2
15	40-00501-50	Cap, King Valve, Service Part	2
16	56-00143-74	Tube, Copper, Straight, 5/8OD x .040W x 1.84 Inches Long	1
17	AC101-309	Drier, Filter, 3/4 ORS x 5/8 ORS - Includes:	1
18	42-00243-03	O-Ring, .614 ID x .070 Thick	1
19	42-00243-11	O-Ring, .739 ID x .070 Thick	1
20	68-08095-00	Bracket Assembly, Support, Tube, Liquid Line, Painted	1
21	34-00373-07	Clamp, Tube, Insulated, 5/8	1
22	34-00655-06	Screw, Cap, Hex Head, 1/4 -20 x 3/4 Inch Long, SST	1
23	34-06212-12	Washer, Flat, 1/4 Inch, SST	1
24	34-00663-11	Washer, Split Lock, 1/4 Inch, SST	1
25	66U1-1214-5	Body, Flange, TXV, 5/8 ODF Inlet x 7/8 ODF Outlet	1
26	68RM50-193	Tube Assembly, Discharge - Includes:	1
27	14-00281-04	Valve, Check, 7/8 ODF - Includes	1
28	14-50050-01	Repair Kit, Check Valve	1
29	68RM50-1108	Tube, Discharge, Bent, 7/8OD x .045W Copper	1
30	40-01124-00	Body, Valve, Brass, 1/4 SAE Flare - Includes:	2
31	14-00351-00	Core, Access Valve (Nickel Plated)	1
32	DD19CA061	Cap, Seal Flare, 1/4 Inch	1
33	DE07DA608	Adapter, 7/8 ODS x 1 Male 37 Degree JIC Flare	1
34	68RM50-1094	Bracket, Support, Tube	1
35	68RM50-195	Bracket Assembly, Support, Painted	1
36	AC701-222	Clamp, Insulated, Loom, 7/8 Inch	1
37	81-62042-00	Tube Assembly, Suction - Includes:	1
38	56-62018-00	Tube, Suction, Bent, 1-3/8OD x .055W Copper	1
39	DE07DA902	Adapter, JIC, 1-3/8 ODF x 1-5/8-12 Flare	1
40	68RM35-1242-1	Bracket, Support, Tube	1
41	68RM50-181	Heat Exchanger & Tubing Assembly, Suction/Liquid - Includes:	1
42	AC101-900	Heat Exchanger (HX), Suction Line	1
43	68RM50-176	Tube Assembly, Suction Heat Exchanger - Includes:	1
44	56-62092-00	Tube, Suction, Bent, 1-3/8OD x .055W Copper	1
45	40-01124-00	Body, Valve, Brass, 1/4 SAE Flare - Includes:	2
46	14-00351-00	Core, Access Valve (Nickel Plated)	1
47	DD19CA061	Cap, Seal Flare, 1/4 Inch	1
48	56-03867-00	Tube, Liquid, Bent, 5/8OD x .040W Copper	1
49	56-03830-00	Tube, Liquid, Bent, 5/8OD x .040W Copper	1
50	56-03865-00	Tube, Suction, Bent, 1-3/8OD x .055W Copper	1



6.3 Refrigerant Piping Kit - Models 68RM50-101-13, 101-15



Common Parts Listed In Section 6.1

Ref. Kit 68RM50-106-3

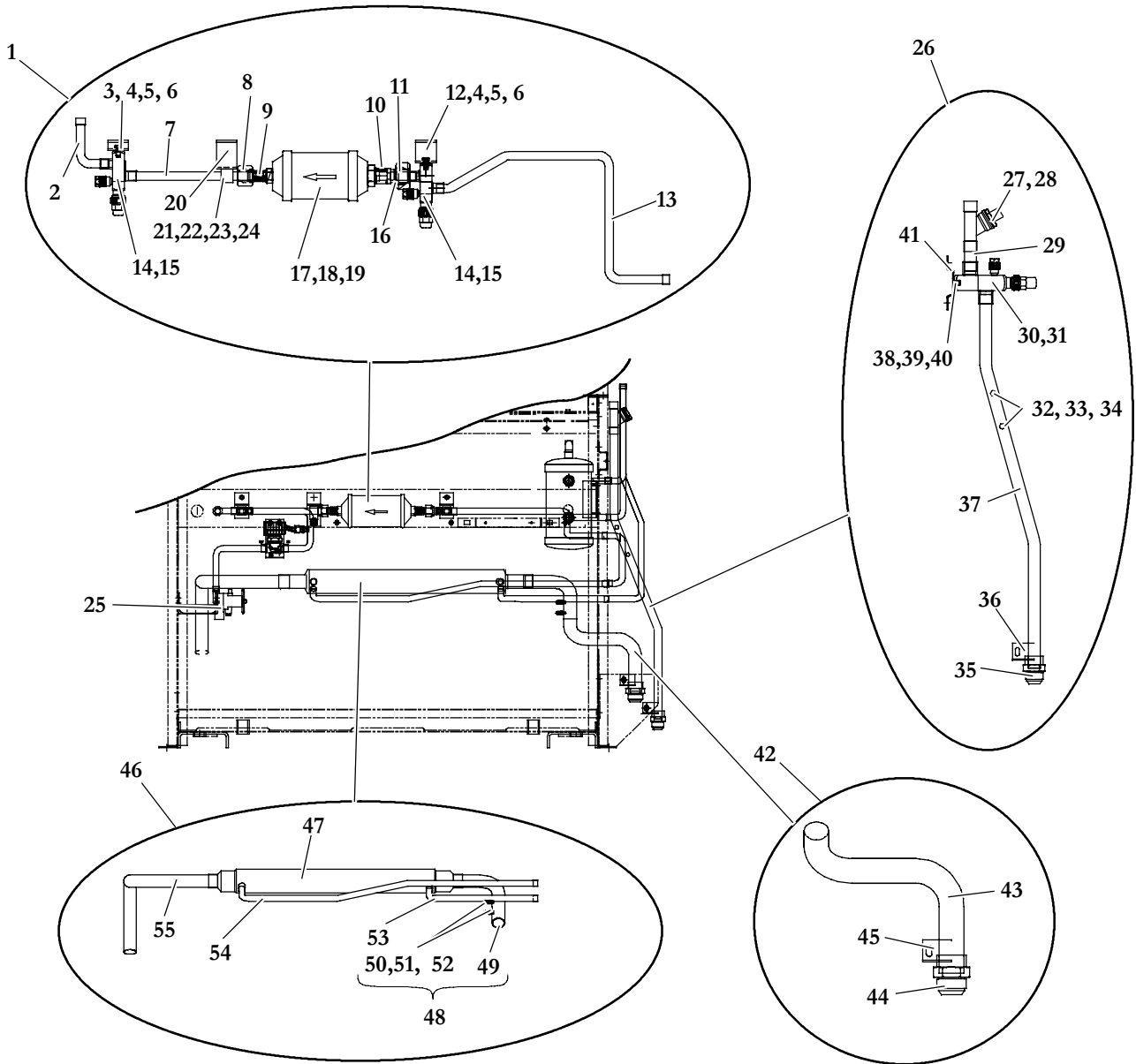
Item	Part Number	Description	Qty
1	68RM50-171	Liquid Line Assembly - Includes:	1
2	56-03829-00	Tube, Liquid, Bent, 5/8OD x .040W Copper	1
3	68-08092-00	Bracket, Support, Valve, Liquid Line, Painted	1
4	34-00799-04	Screw, Cap, Hex Head, 5/16-24 x 1/2 Inch Long, SST	2
5	34-06212-13	Washer, Flat, 5/16 Inch, SST	2



6.3 Refrigerant Piping Kit - Models 68RM50-101-13, 101-15 (Continued)			
Item	Part Number	Description	Qty
6	34-00663-12	Washer, Split Lock, 5/16 Inch, SST	2
7	56-00143-49	Tube, Copper, Straight, 5/8OD x .040W x 9.00 Inches Long	1
8	34-06121-03	Nut, Hex, ORS, Braze (1-14 Threads)	1
9	40-00503-03	Collar, Tube, 5/8 ORS, Brass	1
10	40-00503-04	Collar, Tube, 5/8 ORS, Nickel Plated Steel	1
11	34-06121-04	Nut, Hex, ORS Braze (1-3/16-12 Threads)	1
12	68-08091-00	Bracket, Support, Valve, Liquid Line, Painted	1
13	56-03824-00	Tube, Liquid, Bent, 5/8OD x .040W Copper	1
14	40-00501-05	Valve, King, Brass, 5/8 ODF	2
15	40-00501-50	Cap, King Valve, Service Part	2
16	56-00143-74	Tube, Copper, Straight, 5/8OD x .040W x 1.84 Inches Long	1
17	AC101-309	Drier, Filter, 3/4 ORS x 5/8 ORS - Includes:	1
18	42-00243-03	O-Ring, .614 ID x .070 Thick	1
19	42-00243-11	O-Ring, .739 ID x .070 Thick	1
20	68-08095-00	Bracket Assembly, Support, Tube, Liquid Line, Painted	1
21	34-00373-07	Clamp, Tube, Insulated, 5/8	1
22	34-00655-06	Screw, Cap, Hex Head, 1/4 -20 x 3/4 Inch Long, SST	1
23	34-06212-12	Washer, Flat, 1/4 Inch, SST	1
24	34-00663-11	Washer, Split Lock, 1/4 Inch, SST	1
25	66U1-1214-5	Body, Flange, TXV, 5/8 ODF Inlet x 7/8 ODF Outlet	1
26	68RM50-193	Tube Assembly, Discharge - Includes:	1
27	14-00281-04	Valve, Check, 7/8 ODF - Includes:	1
28	14-50050-01	Repair Kit, Check Valve	1
29	68RM50-1108	Tube, Discharge, Bent, 7/8OD x .045W Copper	1
30	40-01124-00	Body, Valve, Brass, 1/4 SAE Flare - Includes:	2
31	14-00351-00	Core, Access Valve (Nickel Plated)	1
32	DD19CA061	Cap, Seal Flare, 1/4 Inch	1
33	DE07DA608	Adapter, 7/8 ODS x 1 Male 37 Degree JIC Flare	1
34	68RM50-1094	Bracket, Support, Tube	1
35	68RM50-195	Bracket Assembly, Support, Painted	1
36	AC701-222	Clamp, Insulated, Loom, 7/8 Inch	1
37	68RM50-174	Tube Assembly, Suction - Includes:	1
38	56-62018-00	Tube, Suction, Bent, 1-3/8OD x .055W Copper	1
39	66U1-1003-19	Adapter, JIC, 1-3/8 ODF x 1-7/8-12 Flare	1
40	68RM35-1242-2	Bracket, Support, Tube	1
41	68RM50-181	Heat Exchanger & Tubing Assembly, Suction/Liquid - Includes:	1
42	AC101-900	Heat Exchanger (HX), Suction Line	1
43	68RM50-176	Tube Assembly, Suction Heat Exchanger - Includes:	1
44	56-62092-00	Tube, Suction, Bent, 1-3/8OD x .055W Copper	1
45	40-01124-00	Body, Valve, Brass, 1/4 SAE Flare - Includes:	2
46	14-00351-00	Core, Access Valve (Nickel Plated)	1
47	DD19CA061	Cap, Seal Flare, 1/4 Inch	1
48	56-03867-00	Tube, Liquid, Bent, 5/8OD x .040W Copper	1
49	56-03830-00	Tube, Liquid, Bent, 5/8OD x .040W Copper	1
50	56-03865-00	Tube, Suction, Bent, 1-3/8OD x .055W Copper	1



6.4 Refrigerant Piping Kit - Model 68RM50-101-16



Common Parts Listed In Section 6.1

Ref. Kit 68RM50-106-7

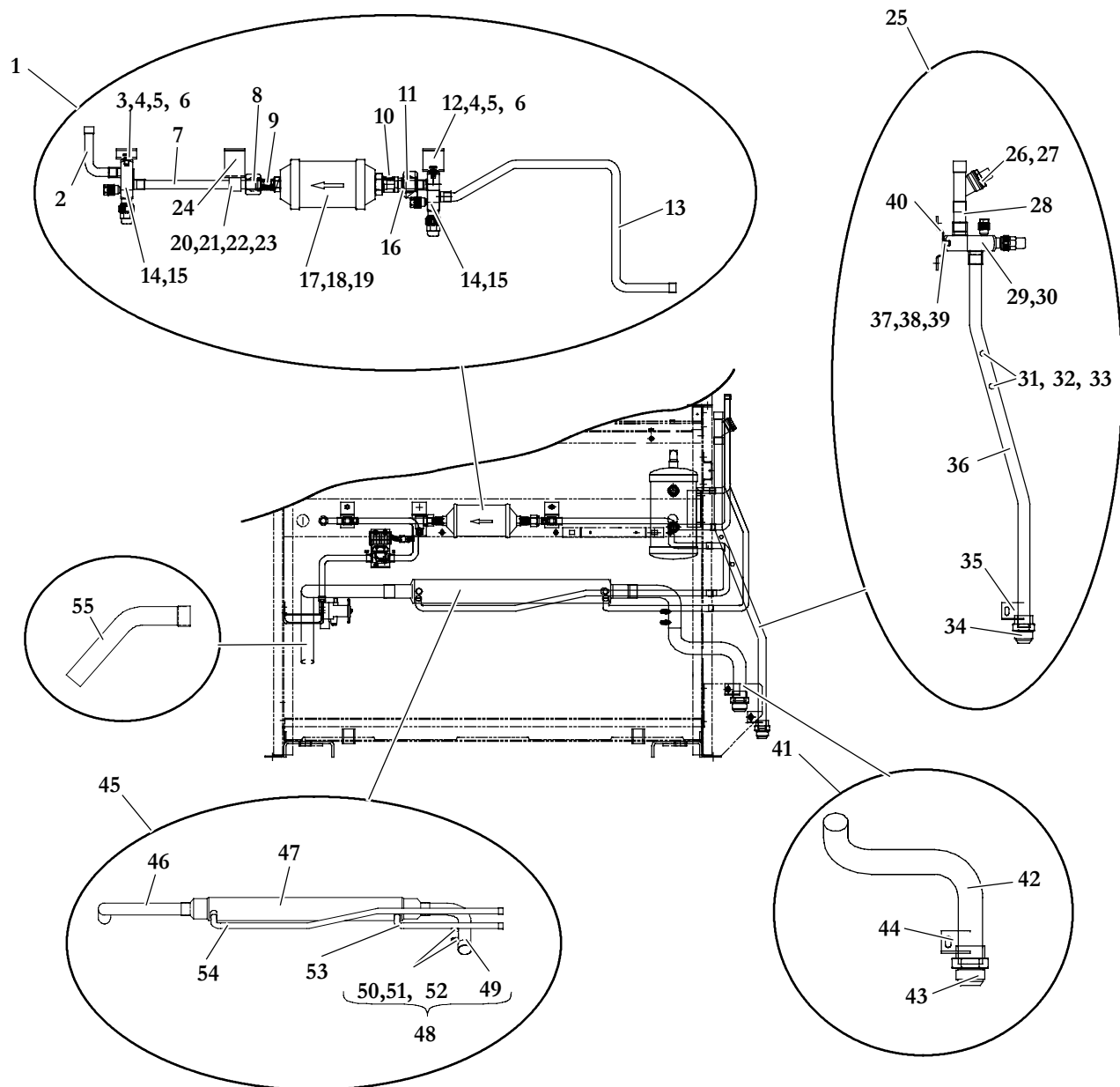
Item	Part Number	Description	Qty
1	81-62119-00	Liquid Line Assembly - Includes:	1
2	56-03829-00	Tube, Liquid, Bent, 5/8OD x .040W Copper	1
3	68-08092-00	Bracket, Support, Valve, Liquid Line, Painted	1
4	34-00799-04	Screw, Cap, Hex Head, 5/16-24 x 1/2 Inch Long, SST	2
5	34-06212-13	Washer, Flat, 5/16 Inch, SST	2
6	34-00663-12	Washer, Split Lock, 5/16 Inch, SST	2
7	56-00143-29	Tube, Copper, Straight, 5/8OD x .040W x 8.06 Inches Long	1
8	34-06121-03	Nut, Hex, ORS Braze (1-14 Threads)	1
9	40-00503-03	Collar, Tube, 5/8 ORS, Brass	1
10	40-00503-04	Collar, Tube, 5/8 ORS, Nickel Plated Steel	1
11	34-06121-04	Nut, Hex, ORS, Braze (1-3/16-12 Threads)	1
12	68-08091-00	Bracket, Support, Valve, Liquid Line, Painted	1



6.4 Refrigerant Piping Kit - Model 68RM50-101-16 (Continued)			
Item	Part Number	Description	Qty
13	56-03824-00	Tube, Liquid, Bent, 5/8OD x .040W Copper	1
14	40-00501-05	Valve, King, Brass, 5/8 ODF	2
15	40-00501-50	Cap, King Valve, Service Part	2
16	56-00143-71	Tube, Copper, Straight, 5/8OD x .040W x 2.75 Inches Long	1
17	AC101-309	Drier, Filter, 3/4 ORS x 5/8 ORS - Includes:	1
18	42-00243-03	O-Ring, .614 ID x .070 Thick	1
19	42-00243-11	O-Ring, .739 ID x .070 Thick	1
20	68-08095-00	Bracket Assembly, Support, Tube, Liquid Line, Painted	1
21	34-00373-07	Clamp, Tube, Insulated, 5/8	1
22	34-00655-06	Screw, Cap, Hex Head, 1/4 -20 x 3/4 Inch Long, SST	1
23	34-06212-12	Washer, Flat, 1/4 Inch, SST	1
24	34-00663-11	Washer, Split Lock, 1/4 Inch, SST	1
25	66U1-1214-5	Body, Flange, TXV, 5/8 ODF Inlet x 7/8 ODF Outlet	1
26	81-62111-00	Tube Assembly, Discharge - Includes:	1
27	14-00281-04	Valve, Check, 7/8 ODF - Includes:	1
28	14-50050-01	Repair Kit, Check Valve	1
29	99TS1445CK002100	Tube, Discharge, Straight, 7/8 OD x .045W x 2.09 Inches Long, Copper	1
30	40-00501-07	Valve, King, Brass, 7/8 ODF	1
31	40-00501-50	Cap, King Valve, Service Part (Nickel Plated)	1
32	40-01124-00	Body, Valve, Brass, 1/4 SAE Flare - Includes:	2
33	14-00351-00	Core, Access Valve (Nickel Plated)	1
34	DD19CA061	Cap, Seal Flare, 1/4 Inch	1
35	DE07DA608	Adapter, 7/8 ODS x 1 Male 37 Degree JIC Flare	1
36	68RM50-1094	Bracket, Support, Tube	1
37	56-62221-00	Tube, Discharge, Bent, 7/8OD x .045W Copper	1
38	34-00855-04	Screw, Cap, Hex Head, 3/8-24 x 1/2 Inch Long, SST	1
39	34-00663-13	Washer, Split Lock, 3/8 Inch, SST	1
40	34-06212-14	Washer, Flat, 3/8 Inch, SST	1
41	68-62523-00	Bracket, Valve, Mounting, Painted	1
42	81-62042-00	Tube Assembly, Suction - Includes:	1
43	56-62018-00	Tube, Suction, Bent, 1-3/8OD x .055W Copper	1
44	DE07DA902	Adapter, JIC, 1-3/8 ODF x 1-5/8-12 Flare	1
45	68RM35-1242-1	Bracket, Support, Tube	1
46	68RM50-181	Heat Exchanger & Tubing Assembly, Suction/Liquid - Includes:	1
47	AC101-900	Heat Exchanger (HX), Suction Line	1
48	68RM50-176	Tube Assembly, Suction Heat Exchanger - Includes:	1
49	56-62092-00	Tube, Suction, Bent, 1-3/8OD x .055W Copper	1
50	40-01124-00	Body, Valve, Brass, 1/4 SAE Flare - Includes:	2
51	14-00351-00	Core, Access Valve (Nickel Plated)	1
52	DD19CA061	Cap, Seal Flare, 1/4 Inch	1
53	56-03867-00	Tube, Liquid, Bent, 5/8OD x .040W Copper	1
54	56-03830-00	Tube, Liquid, Bent, 5/8OD x .040W Copper	1
55	56-03865-00	Tube, Suction, Bent, 1-3/8OD x .055W Copper	1



6.5 Refrigerant Piping Kit - Models 68RM50-101-18, -21, -33, -35, -38, -41, -53, -55



Ref. Kit 68RM50-106-8

Common Parts Listed In Section 6.1

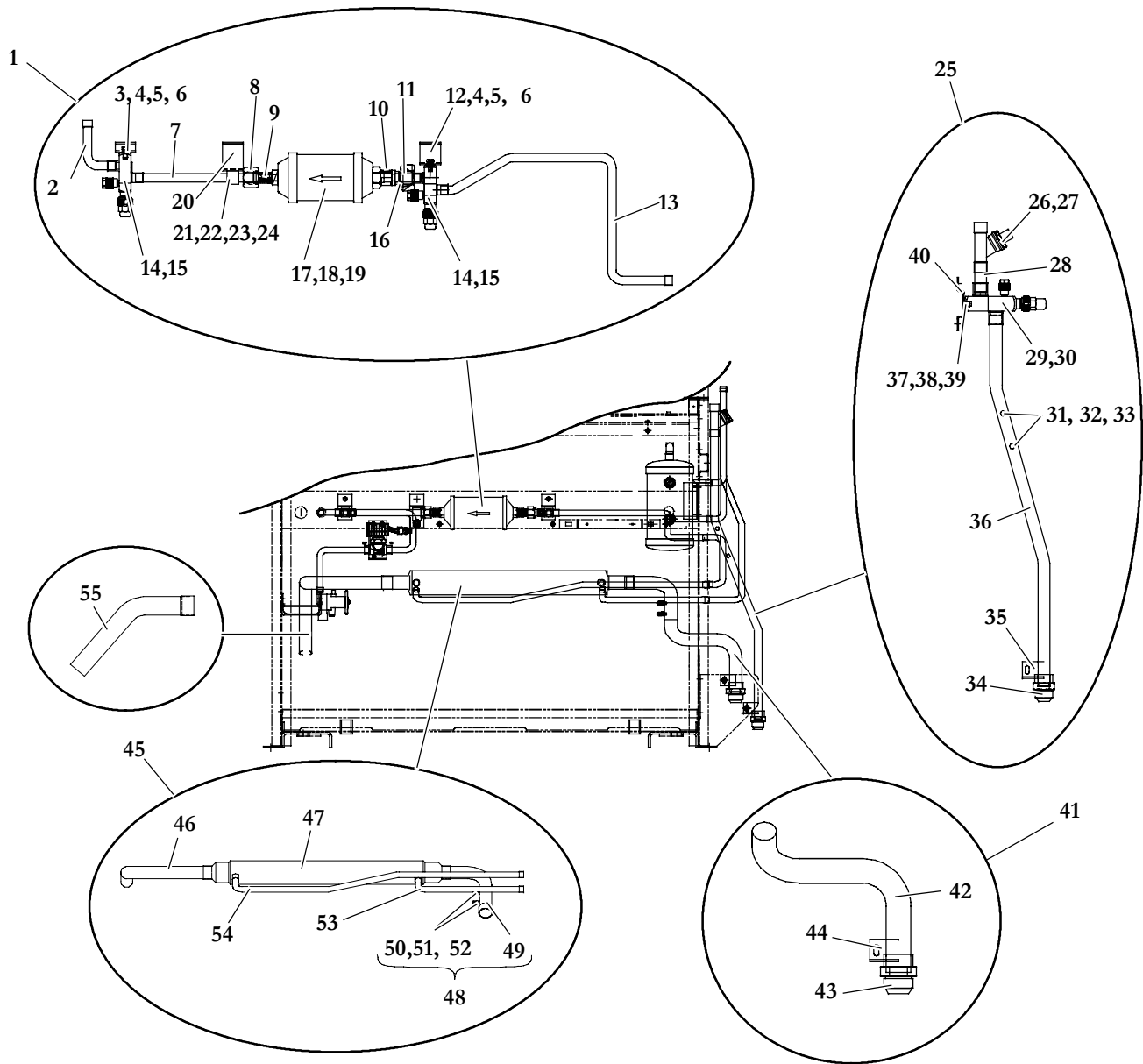
Item	Part Number	Description	Qty
1	81-62119-00	Liquid Line Assembly - Includes:	1
2	56-03829-00	Tube, Liquid, Bent, 5/8OD x .040W Copper	1
3	68-08092-00	Bracket, Support, Valve, Liquid Line, Painted	1
4	34-00799-04	Screw, Cap, Hex Head, 5/16-24 x 1/2 Inch Long, SST	2
5	34-06212-13	Washer, Flat, 5/16 Inch, SST	2
6	34-00663-12	Washer, Split Lock, 5/16 Inch, SST	2
7	56-00143-29	Tube, Copper, Straight, 5/8OD x .040W x 8.06 Inches Long	1
8	34-06121-03	Nut, Hex, ORS Braze(1-14 Threads)	1
9	40-00503-03	Collar,Tube, 5/8 ORS, Brass	1
10	40-00503-04	Collar, Tube, 5/8 ORS, Nickel Plated Steel	1



6.5 Refrigerant Piping Kit - Models 68RM50-101-18, -21, -33, -35, -38, -41, -53, -55 (Continued)			
Item	Part Number	Description	Qty
11	34-06121-04	Nut, Hex, ORS, Braze (1-3/16-12 Threads)	1
12	68-08091-00	Bracket, Support, Valve, Liquid Line, Painted	1
13	56-03824-00	Tube, Liquid, Bent, 5/8OD x .040W Copper	1
14	40-00501-05	Valve, King, Brass, 5/8 ODF	2
15	40-00501-50	Cap, King Valve, Service Part	2
16	56-00143-71	Tube, Copper, Straight, 5/8OD x .040W x 2.75 Inches Long	1
17	AC101-309	Drier, Filter, 3/4 ORS x 5/8 ORS - Includes:	1
18	42-00243-03	O-Ring, .614 ID x .070 Thick	1
19	42-00243-11	O-Ring, .739 ID x .070 Thick	1
20	34-00373-07	Clamp, Tube, Insulated, 5/8	1
21	34-00655-06	Screw, Cap, Hex Head, 1/4 -20 x 3/4 Inch Long, SST	1
22	34-06212-12	Washer, Flat, 1/4 Inch, SST	1
23	34-00663-11	Washer, Split Lock, 1/4 Inch, SST	1
24	68-08095-00	Bracket Assembly, Support, Tube, Liquid Line, Painted	1
25	81-62111-00	Tube Assembly, Discharge - Includes:	1
26	14-00281-04	Valve, Check, 7/8 ODF - Includes:	1
27	14-50050-01	Repair Kit, Check Valve	1
28	99TS1445CK002100	Tube, Discharge, Straight, 7/8 OD x .045W x 2.12 Inches Long, Copper	1
29	40-00501-07	Valve, King, Brass, 7/8 ODF	1
30	40-00501-50	Cap, King Valve, Service Part	1
31	40-01124-00	Body, Valve, Brass, 1/4 SAE Flare - Includes:	2
32	14-00351-00	Core, Access Valve (Nickel Plated)	1
33	DD19CA061	Cap, Seal Flare, 1/4 Inch	1
34	DE07DA608	Adapter, 7/8 ODS x 1 Male 37 Degree JIC Flare	1
35	68RM50-1094	Bracket, Support, Tube	1
36	56-62221-00	Tube, Discharge, Bent, 7/8OD x .045W Copper	1
37	34-00855-04	Screw, Cap, Hex Head, 3/8-24 x 1/2 Inch Long, SST	1
38	34-00663-13	Washer, Split Lock, 3/8 Inch, SST	1
39	34-06212-14	Washer, Flat, 3/8 Inch, SST	1
40	68-62523-00	Bracket, Valve, Mounting, Painted	1
41	81-62042-00	Tube Assembly, Suction - Includes:	1
42	56-62018-00	Tube, Suction, Bent, 1-3/8OD x .055W Copper	1
43	DE07DA902	Adapter, JIC, 1-3/8 ODF x 1-5/8-12 Flare	1
44	68RM35-1242-1	Bracket, Support, Tube	1
45	81-62121-00	Heat Exchanger And Tubing Assembly, Suction/Liquid - Includes:	1
46	56-62243-00	Tube, Suction, Bent, 1-3/8OD x .055W Copper	1
47	AC101-900	Heat Exchanger (HX), Suction Line	1
48	68RM50-176	Tube Assembly, Suction Heat Exchanger - Includes:	1
49	56-62092-00	Tube, Suction, Bent, 1-3/8OD x .055W Copper	1
50	40-01124-00	Body, Valve, Brass, 1/4 SAE Flare - Includes:	2
51	14-00351-00	Core, Access Valve (Nickel Plated)	1
52	DD19CA061	Cap, Seal Flare, 1/4 Inch	1
53	56-03867-00	Tube, Liquid, Bent, 5/8OD x .040W Copper	1
54	56-03830-00	Tube, Liquid, Bent, 5/8OD x .040W Copper	1
55	56-62242-00	Tube, Suction, Bent, 1-3/8OD x .055W Copper	1



6.6 Refrigerant Piping Kit - Models 68RM50-101-19, -20, -22, -23, -25, -26, -27, -39, -40, -42, -43, -45, -46, -47



Common Parts Listed In Section 6.1

Ref. Kit 68RM50-106-10

Item	Part Number	Description	Qty
1	81-62119-00	Liquid Line Assembly - Includes:	1
2	56-03829-00	Tube, Liquid, Bent, 5/8OD x .040W Copper	1
3	68-08092-00	Bracket, Support, Valve, Liquid Line, Painted	1
4	34-00799-04	Screw, Cap, Hex Head, 5/16-24 x 1/2 Inch Long, SST	2
5	34-06212-13	Washer, Flat, 5/16 Inch, SST	2
6	34-00663-12	Washer, Split Lock, 5/16 Inch, SST	2
7	56-00143-29	Tube, Copper, Straight, 5/8OD x .040W x 8.06 Inches Long	1
8	34-06121-03	Nut, Hex, ORS Braze (1-14 Threads)	1
9	40-00503-03	Collar, Tube, 5/8 ORS, Brass	1
10	40-00503-04	Collar, Tube, 5/8 ORS, Nickel Plated Steel	1

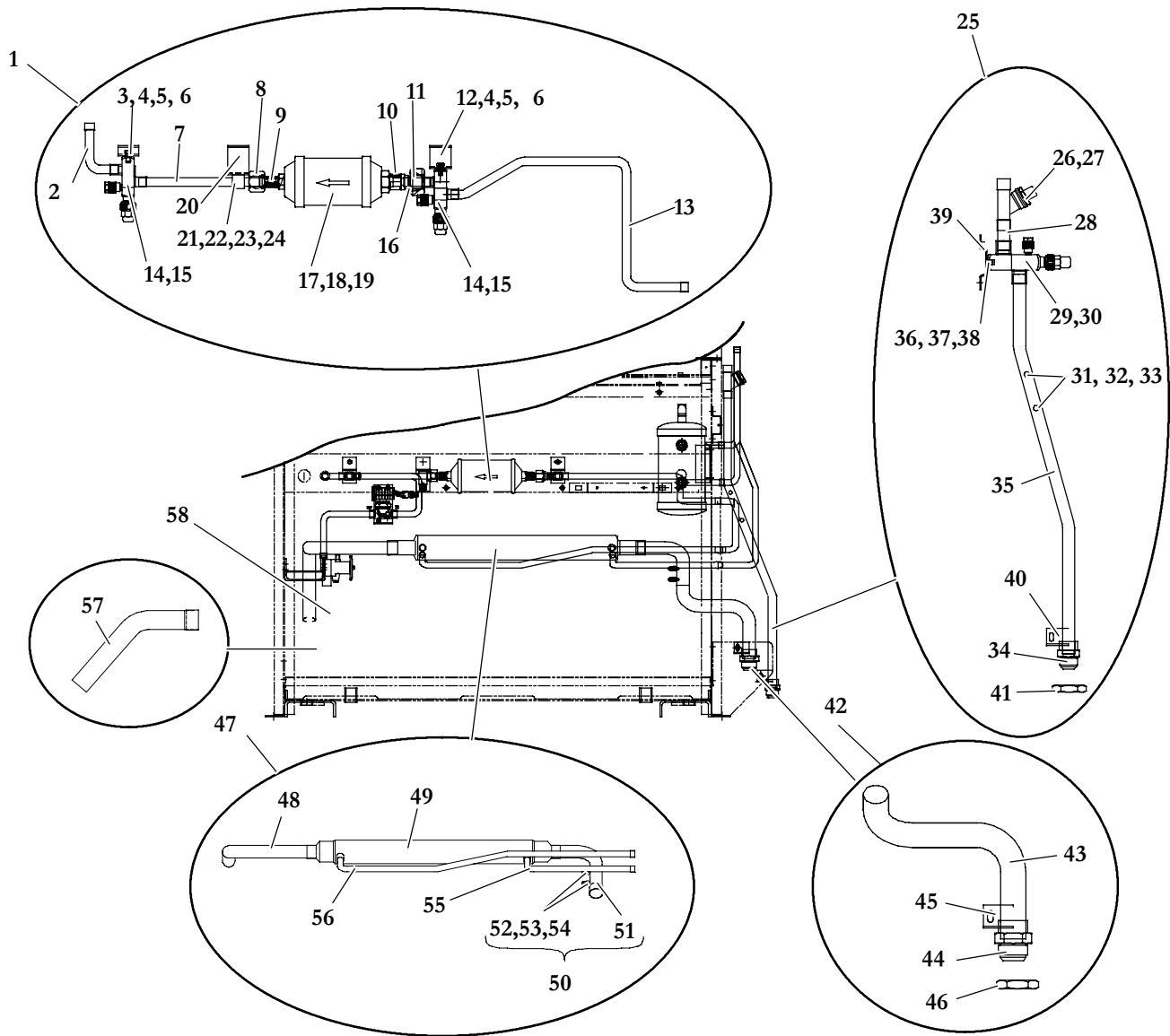


6.6 Refrigerant Piping Kit - Models 68RM50-101-19, -20, -22, -23, -25, -26, -27, -39, -40, -42, -43, -45, -46, -47 (Continued)

Item	Part Number	Description	Qty
11	34-06121-04	Nut, Hex, ORS, Braze (1-3/16-12 Threads)	1
12	68-08091-00	Bracket, Support, Valve, Liquid Line, Painted	1
13	56-03824-00	Tube, Liquid, Bent, 5/8OD x .040W Copper	1
14	40-00501-05	Valve, King, Brass, 5/8 ODF	2
15	40-00501-50	Cap, King Valve, Service Part	2
16	56-00143-71	Tube, Copper, Straight, 5/8OD x .040W x 2.75 Inches Long	1
17	AC101-309	Drier, Filter, 3/4 ORS x 5/8 ORS - Includes:	1
18	42-00243-03	O-Ring, .614 ID x .070 Thick	1
19	42-00243-11	O-Ring, .739 ID x .070 Thick	1
20	68-08095-00	Bracket Assembly, Support, Tube, Liquid Line, Painted	1
21	34-00373-07	Clamp, Tube, Insulated, 5/8	1
22	34-00655-06	Screw, Cap, Hex Head, 1/4 -20 x 3/4 Inch Long, SST	1
23	34-06212-12	Washer, Flat, 1/4 Inch, SST	1
24	34-00663-11	Washer, Split Lock, 1/4 Inch, SST	1
25	81-62111-00	Tube Assembly, Discharge - Includes:	1
26	14-00281-04	Valve, Check, 7/8 ODF - Includes:	1
27	14-50050-01	Repair Kit, Check Valve	1
28	99TS1445CK002100	Tube, Discharge, Straight, 7/8 OD x .045W x 2.12 Inches Long, Copper	1
29	40-00501-07	Valve, King, Brass, 7/8 ODF	1
30	40-00501-50	Cap, King Valve, Service Part	1
31	40-01124-00	Body, Valve, Brass, 1/4 SAE Flare - Includes:	2
32	14-00351-00	Core, Access Valve (Nickel Plated)	1
33	DD19CA061	Cap, Seal Flare, 1/4 Inch	1
34	DE07DA608	Adapter, 7/8 ODS x 1 Male 37 Degree JIC Flare	1
35	68RM50-1094	Bracket, SupPort, Tube	1
36	56-62221-00	Tube, Discharge, Bent, 7/8OD x .045W Copper	1
37	34-00855-04	Screw, Cap, Hex Head, 3/8-24 x 1/2 Inch Long, SST	1
38	34-00663-13	Washer, Split Lock, 3/8 Inch, SST	1
39	34-06212-14	Washer, Flat, 3/8 Inch, SST	1
40	68-62523-00	Bracket, Valve, Mounting, Painted	1
41	68RM50-174	Tube Assembly, Suction - Includes:	1
42	56-62018-00	Tube, Suction, Bent, 1-3/8OD x .055W Copper	1
43	66U1-1003-19	Adapter, JIC, 1-3/8 ODF x 1-7/8-12 Flare	1
44	68RM35-1242-2	Bracket, Support, Tube	1
45	81-62121-00	Heat Exchanger & Tubing Assembly, Suction/Liquid - Includes:	1
46	56-62243-00	Tube, Suction, Bent, 1-3/8OD x .055W Copper	1
47	AC101-900	Heat Exchanger (HX), Suction Line	1
48	68RM50-176	Tube Assembly, Suction Heat Exchanger - Includes:	1
49	56-62092-00	Tube, Suction, Bent, 1-3/8OD x .055W Copper	1
50	40-01124-00	Body, Valve, Brass, 1/4 SAE Flare - Includes:	2
51	14-00351-00	Core, Access Valve (Nickel Plated)	1
52	DD19CA061	Cap, Seal Flare, 1/4 Inch	1
53	56-03867-00	Tube, Liquid, Bent, 5/8OD x .040W Copper	1
54	56-03830-00	Tube, Liquid, Bent, 5/8OD x .040W Copper	1
55	56-62242-00	Tube, Suction, Bent, 1-3/8OD x .055W Copper	1



6.7 Refrigerant Piping Kit - Models 68RM50-101-24, -28, -29, -30, -31, -34, -44, -48, -49, -50, -51, -54, -58, -65, -66, -67, -68, -69



Common Parts Listed In Section 6.1

**Ref. Kit 68RM50-106-12
68RM50-106-14**

Item	Part Number	Description	Qty
1	81-62119-00	Liquid Line Assembly - Includes:	1
2	56-03829-00	Tube, Liquid, Bent, 5/8OD x .040W Copper	1
3	68-08092-00	Bracket, Support, Valve, Liquid Line, Painted	1
4	34-00799-04	Screw, Cap, Hex Head, 5/16-24 x 1/2 Inch Long, SST	2
5	34-06212-13	Washer, Flat, 5/16 Inch, SST	2
6	34-00663-12	Washer, Split Lock, 5/16 Inch, SST	2
7	56-00143-29	Tube, Copper, Straight, 5/8OD x .040W x 8.06 Inches Long	1
8	34-06121-03	Nut, Hex, ORS Braze (1-14 Threads)	1
9	40-00503-03	Collar, Tube, 5/8 ORS, Brass	1
10	40-00503-04	Collar, Tube, 5/8 ORS, Nickel Plated Steel	1
11	34-06121-04	Nut, Hex, ORS, Braze (1-3/16-12 Threads)	1



6.7 Refrigerant Piping Kit - Models 68RM50-101-24, -28, -29, -30, -31, -34, -44, -48, -49, -50, -51, -54, -58, -65, -66, -67, -68, -69 (Continued)

Item	Part Number	Description	Qty
12	68-08091-00	Bracket, Support, Valve, Liquid Line, Painted	1
13	56-03824-00	Tube, Liquid, Bent, 5/8OD x .040W Copper	1
14	40-00501-05	Valve, King, Brass, 5/8 ODF	2
15	40-00501-50	Cap, King Valve, Service Part	2
16	56-00143-71	Tube, Copper, Straight, 5/8OD x .040W x 2.75 Inches Long	1
17	AC101-309	Drier, Filter, 3/4 ORS x 5/8 ORS - Includes:	1
18	42-00243-03	O-Ring, .614 ID x .070 Thick	1
19	42-00243-11	O-Ring, .739 ID x .070 Thick	1
20	68-08095-00	Bracket Assembly, Support, Tube, Liquid Line, Painted	1
21	34-00373-07	Clamp, Tube, Insulated, 5/8	1
22	34-00655-06	Screw, Cap, Hex Head, 1/4 -20 x 3/4 Inch Long, SST	1
23	34-06212-12	Washer, Flat, 1/4 Inch, SST	1
24	34-00663-11	Washer, Split Lock, 1/4 Inch, SST	1
25	81-62111-01	Tube Assembly, Discharge - Includes:	1
26	14-00281-04	Valve, Check, 7/8 ODF - Includes:	1
27	14-50050-01	Repair Kit, Check Valve	1
28	99TS1445CK002100	Tube, Discharge, Straight, 7/8 OD x .045W x 2.12 Inches Long, Copper	1
29	40-00501-07	Valve, King, Brass, 7/8 ODF	1
30	40-00501-50	Cap, King Valve, Service Part	1
31	40-01124-00	Body, Valve, Brass, 1/4 SAE Flare - Includes:	2
32	14-00351-00	Core, Access Valve (Nickel Plated)	1
33	DD19CA061	Cap, Seal Flare, 1/4 Inch	1
34	40-00491-00	Fitting, ORS, 7/8 x 1 7/16-12	1
35	56-62221-00	Tube, Discharge, Bent, 7/8OD x .045W Copper	1
36	34-00855-04	Screw, Cap, Hex Head, 3/8-24 x 1/2 Inch Long, SST	1
37	34-00663-13	Washer, Split Lock, 3/8 Inch, SST	1
38	34-06212-14	Washer, Flat, 3/8 Inch, SST	1
39	68-62523-00	Bracket, Valve, Mounting, Painted	1
40	68-08041-01	Bracket, Support, Discharge, Tube, ORS	1
41	34-06088-00	Nut, Hex, ORS, 1-7/16-12	1
42	81-02651-00	Tube Assembly, Suction - Includes:	1
43	56-62018-00	Tube, Suction, Bent, 1-3/8OD x .055W Copper	1
44	40-00491-04	Fitting, ORS, 1-3/8 ODF x 2.00 -12	1
45	68-08041-00	Bracket, Support, Suction Tube, ORS	1
46	34-06088-02	Nut, Hex, ORS, 2.00-12	1
47	81-62121-00	Heat Exchanger & Tubing Assembly, Suction/Liquid - Includes:	1
48	56-62243-00	Tube, Suction, Bent, 1-3/8OD x .055W Copper	1
49	AC101-900	Heat Exchanger (HX), Suction Line	1
50	68RM50-176	Tube Assembly, Suction Heat Exchanger - Includes:	1
51	56-62092-00	Tube, Suction, Bent, 1-3/8OD x .055W Copper	1
52	40-01124-00	Body, Valve, Brass, 1/4 SAE Flare - Includes:	2
53	14-00351-00	Core, Access Valve (Nickel Plated)	1
54	DD19CA061	Cap, Seal Flare, 1/4 Inch	1
55	56-03867-00	Tube, Liquid, Bent, 5/8OD x .040W Copper	1
56	56-03830-00	Tube, Liquid, Bent, 5/8OD x .040W Copper	1

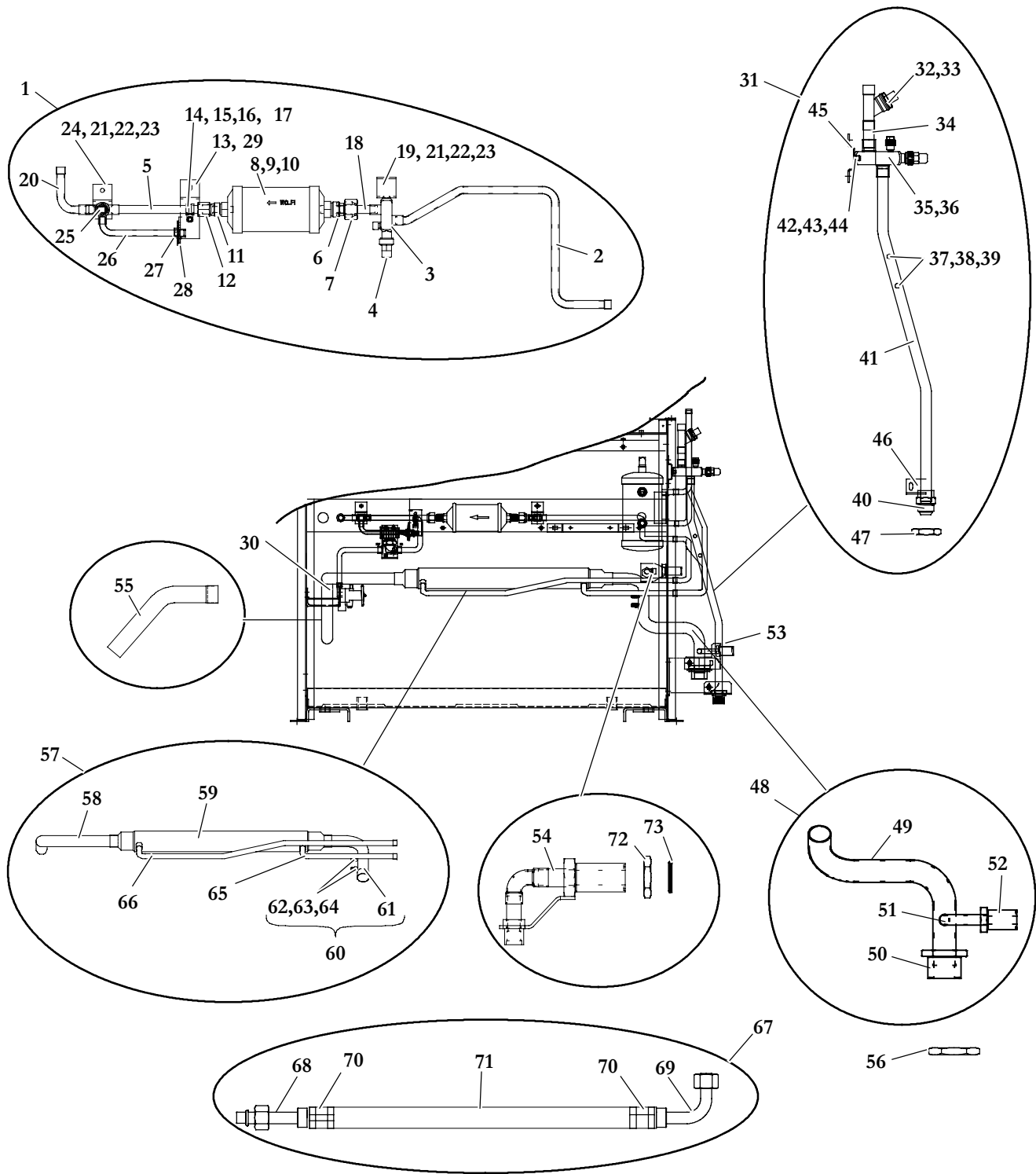


6.7 Refrigerant Piping Kit - Models 68RM50-101-24, -28, -29, -30, -31, -34, -44, -48, -49, -50, -51, -54, -58, -65, -66, -67, -68, -69 (Continued)

Item	Part Number	Description	Qty
57	56-62242-00	Tube, Suction, Bent, 1-3/8OD x .055W Copper	1
58	66U1-1214-5	Body, Flange, TXV, 5/8 ODF Inlet x 7/8 ODF Outlet	1



6.8 Refrigerant Piping Kit - Model 68RM50-101-36, -56, -60, -62, -64



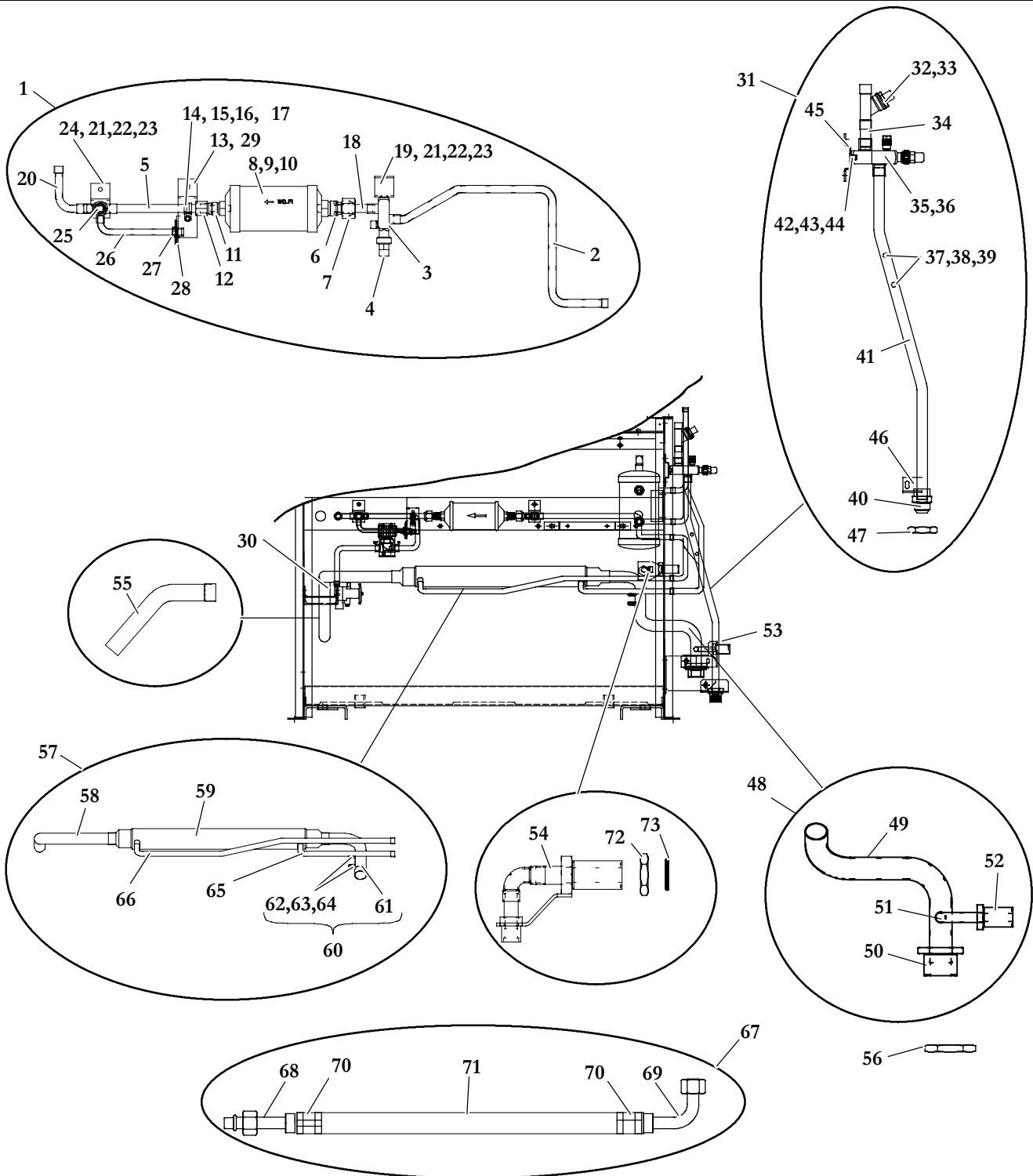
Item	Part Number	Description	Qty
1	81-02660-00	Liquid Line Assembly - Includes:	1
2	56-03824-00	Tube, Liquid, Bent, 5/8 OD x .040W Copper	1
3	40-00501-05	Valve, King, Brass, 5/8 ODF	1



6.8 Refrigerant Piping Kit - Model 68RM50-101-36, -56, -60, -62, -64 (Continued)			
Item	Part Number	Description	Qty
4	40-00501-50	Cap, King Valve, Service Part	2
5	56-00143-29	Tube, Straight, 5/8 OD x .040 W x 8.06 Inches Long	1
6	40-00503-04	Collar, Tube - 5/8 ORS, Nickel Plated Steel	1
7	34-06121-04	Nut, Hex, ORS Braze (1-3/16-12 Threads)	1
8	14-00320-00	Drier, Filter 3/4 ORS x 5/8 ORS - Includes:	1
9	42-00243-03	O-Ring, .614 ID x .070 Thick	1
10	42-00243-11	O-Ring, .739 ID x .070 Thick	1
11	40-00503-03	Collar, Tube - 10, 5/8 ORS, Brass	1
12	34-06121-03	Nut, Hex, ORS Braze (1.00 -14 Threads)	1
13	68-08093-00	Bracket Assembly, Support, Liquid Line. Painted	1
14	34-00373-07	Clamp, Tube, Insulated, 5/8 Inch, SST	1
15	34-00655-06	Screw, Hex Head, 1/4-20 x 0.75 Inch Long, SST	1
16	34-00662-11	Washer, Flat, 1/4 Inch, SST	1
17	34-00663-11	Washer, Split Lock, 1/4 Inch, SST	1
18	56-00143-71	Tube, Straight, 5/8 OD x .040W Copper x 2.75 Inches Long	1
19	68-08091-00	Bracket, Support, Valve, Painted	1
20	56-03829-00	Tube, Liquid, Bent, 5/8 OD x .040W Copper	1
21	34-00799-04	Screw, Cap Hex Head, 5/16-24 x 0.50 Inch Long, SST	2
22	34-00662-12	Washer, Flat, 5/16 Inch, SST	2
23	34-00663-12	Washer, Split Lock, 5/16 Inch, SST	2
24	68-08092-00	Bracket, Support, Valve, Painted	1
25	40-62028-00	Valve, King, Brass, 5/8 ODF	1
26	56-03911-00	Tube, Liquid In-Dash, Bent, 1/2 OD x .035W Copper	1
27	40-62032-02	Fitting, Swivel Nut, 1/2 x 3/4-16 M.I.O.	1
28	68-62492-00	Plate, Tube Support, Brass	1
29	AC701-400	Rivet, Pop, 3/16 Inch	4
30	66U1-1214-5	Body, Flange, TXV, 5/8 ODF Inlet x 7/8 ODF Outlet	1
31	81-62111-01	Tube Assembly, Discharge - Includes:	1
32	14-00281-04	Valve, Check, 7/8 ODF - Includes:	1
33	14-50050-01	Repair Kit, Check Valve	1
34	99TS1445CK002100	Tube, Discharge, Straight, 7/8 OD x .045W x 2.12 Inches Long, Copper	1
35	40-00501-07	Valve, King, Brass, 7/8 ODF	1
36	40-00501-50	Cap, King Valve, Service Part	1
37	40-01124-00	Body, Valve, Brass, 1/4 SAE Flare - Includes:	2
38	14-00351-00	Core, Access Valve (Nickel Plated)	1
39	DD19CA061	Cap, Seal Flare, 1/4 Inch	1
40	40-00491-00	Fitting, ORS, 7/8 x 1 7/16-12	1
41	56-62221-00	Tube, Discharge, Bent, 7/8OD x .045W Copper	1
42	34-00855-04	Screw, Cap, Hex Head, 3/8-24 x 1/2 Inch Long, SST	1
43	34-00663-13	Washer, Split Lock, 3/8 Inch, SST	1
44	34-06212-14	Washer, Flat, 3/8 Inch, SST	1
45	68-62523-00	Bracket, Valve, Mounting, Painted	1
46	68-08041-01	Bracket, Support, Discharge, Tube, ORS	1
47	34-06088-00	Nut, Hex, ORS, 1-7/16-12	1



6.8 Refrigerant Piping Kit - Model 68RM50-101-36, -56, -60, -62, -64 (Continued)



Common Parts Listed In Section 6.1

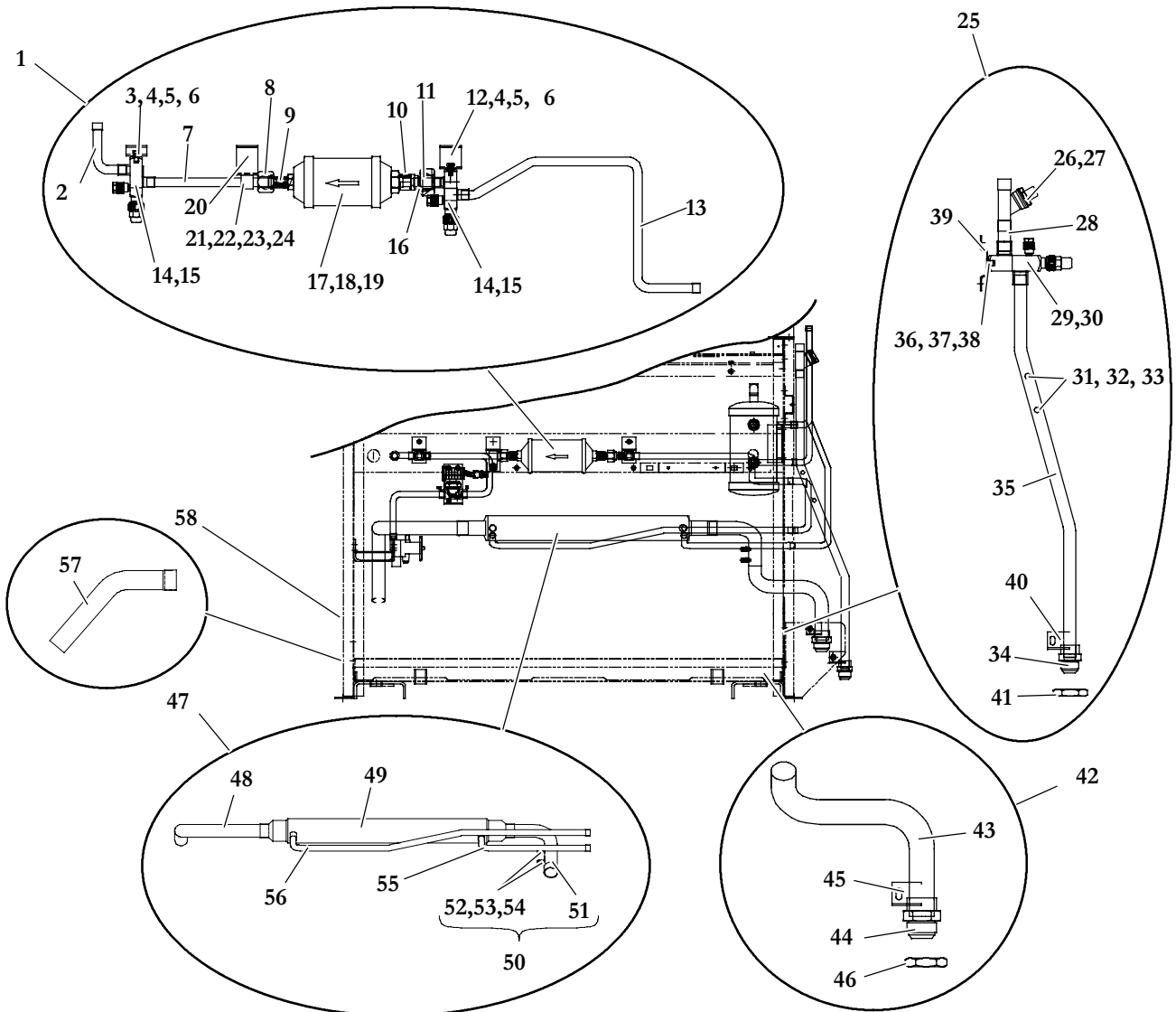
Ref. Kit 68RM50-106-13



6.8 Refrigerant Piping Kit - Model 68RM50-101-36, -56, -60, -62, -64 (Continued)			
Item	Part Number	Description	Qty
48	81-02651-01	Tube Assembly, Suction, ESS Cooler - Includes:	1
49	56-62018-01	Tube, Suction, Bent, 1-3/8OD x .055W Copper	1
50	40-00491-04	Fitting, ORS, 1-3/8 ODF x 2.00 -12	1
51	56-03912-00	Tube, Suction, Bent, 5/8OD x .040W Copper (ESS Cooler)	1
52	40-00491-19	Fitting, ORS, 5/8 ODF x 1.18 -12 (ESS Cooler)	1
53	68-08094-00	Bracket, Tube Support, Suction, Painted	1
54	81-02654-01	Tube Assembly, Bent, With Bracket, ESS Cooler Liquid	1
55	56-62242-00	Tube, Suction, Bent, 1-3/8OD x .055W Copper	1
56	34-06088-02	Nut, Hex, ORS 2.00-12	1
57	81-62121-00	Heat Exchanger & Tubing Assembly, Suction/Liquid - Includes:	1
58	56-62243-00	Tube, Suction, Bent, 1-3/8OD x .055W Copper	1
59	AC101-900	Heat Exchanger (HX), Suction Line	1
60	68RM50-176	Tube Assembly, Suction Heat Exchanger - Includes:	1
61	56-62092-00	Tube, Suction, Bent, 1-3/8OD x .055W Copper	1
62	40-01124-00	Body, Valve, Brass, 1/4 SAE Flare - Includes:	2
63	14-00351-00	Core, Access Valve (Nickel Plated)	1
64	DD19CA061	Cap, Seal Flare, 1/4 Inch	1
65	56-03867-00	Tube, Liquid, Bent, 5/8OD x .040W Copper	1
66	56-03830-00	Tube, Liquid, Bent, 5/8OD x .040W Copper	1
67	58-62022-00	Hose Assembly, Liquid, In dash - Includes:	1
68	40-60060-06	Fitting, Hose, 08 Thread x #10 Hose	1
69	40-60061-06	Fitting, Hose, 90 Degree, 08 Thread x #10 Hose	1
70	34-60019-04	Clamp, Hose #10	2
71	58-60115-04F50	Hose, #10 (50 Feet Roll)	1
72	34-06088-04	Nut, Hex, ORS 1.00-14	1
73	42-00243-03	O-Ring, .614 ID x .070 Thick	1



6.9 Refrigerant Piping Kit - Models 68RM50-101-57, -59, -63



Common Parts Listed In Section 6.1

Ref. Kit 68RM50-106-15

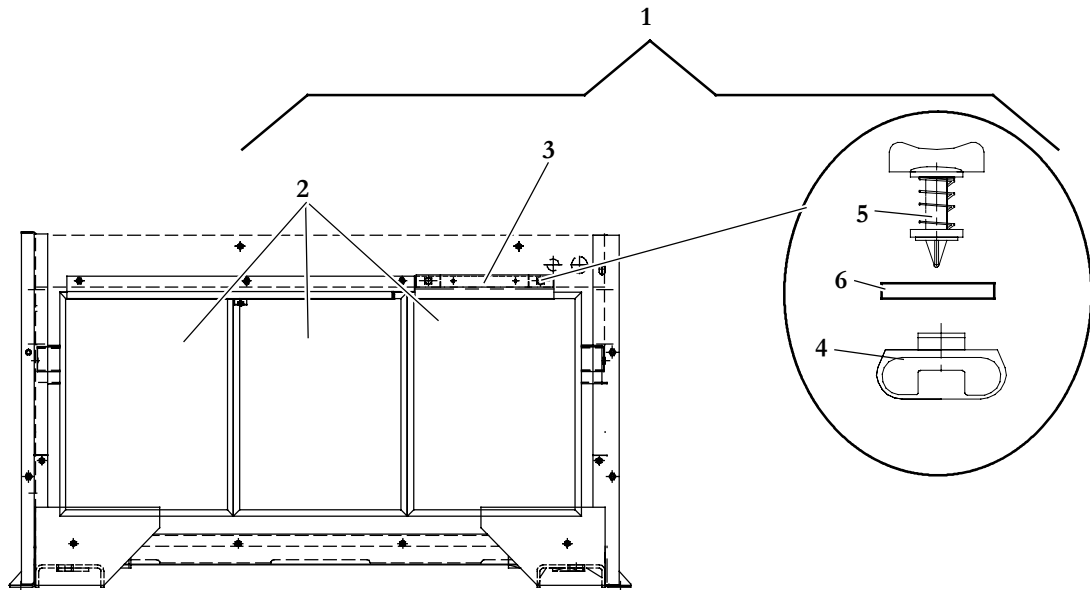
Item	Part Number	Description	Qty
1	81-62119-00	Liquid Line Assembly - Includes:	1
2	56-03829-00	Tube, Liquid, Bent, 5/8OD x .040W Copper	1
3	68-08092-00	Bracket, Support, Valve, Liquid Line, Painted	1
4	34-00799-04	Screw, Cap, Hex Head, 5/16-24 x 1/2 Inch Long, SST	2
5	34-06212-13	Washer, Flat, 5/16 Inch, SST	2
6	34-00663-12	Washer, Split Lock, 5/16 Inch, SST	2
7	56-00143-29	Tube, Copper, Straight, 5/8OD x .040W x 8.06 Inches Long	1
8	34-06121-03	Nut, Hex, ORS Braze (1-14 Threads)	1
9	40-00503-03	Collar, Tube, 5/8 ORS, Brass	1
10	40-00503-04	Collar, Tube, 5/8 ORS, Nickel Plated Steel	1
11	34-06121-04	Nut, Hex, ORS, Braze (1-3/16-12 Threads)	1
12	68-08091-00	Bracket, Support, Valve, Liquid Line, Painted	1
13	56-03824-00	Tube, Liquid, Bent, 5/8OD x .040W Copper	1



6.9 Refrigerant Piping Kit - Models 68RM50-101-57, -59, -63 (Continued)			
Item	Part Number	Description	Qty
14	40-00501-05	Valve, King, Brass, 5/8 ODF	2
15	40-00501-50	Cap, King Valve, Service Part	2
16	56-00143-71	Tube, Copper, Straight, 5/8OD x .040W x 2.75 Inches Long	1
17	AC101-309	Drier, Filter, 3/4 ORS x 5/8 ORS - Includes:	1
18	42-00243-03	O-Ring, .614 ID x .070 Thick	1
19	42-00243-11	O-Ring, .739 ID x .070 Thick	1
20	68-08095-00	Bracket Assembly, Support, Tube, Liquid Line, Painted	1
21	34-00373-07	Clamp, Tube, Insulated, 5/8	1
22	34-00655-06	Screw, Cap, Hex Head, 1/4 -20 x 3/4 Inch Long, SST	1
23	34-06212-12	Washer, Flat, 1/4 Inch, SST	1
24	34-00663-11	Washer, Split Lock, 1/4 Inch, SST	1
25	81-62111-01	Tube Assembly, Discharge - Includes:	1
26	14-00281-04	Valve, Check, 7/8 ODF - Includes:	1
27	14-50050-01	Repair Kit, Check Valve	1
28	99TS1445CK002100	Tube, Discharge, Straight, 7/8 OD x .045W x 2.12 Inches Long, Copper	1
29	40-00501-07	Valve, King, Brass, 7/8 ODF	1
30	40-00501-50	Cap, King Valve, Service Part	1
31	40-01124-00	Body, Valve, Brass, 1/4 SAE Flare - Includes:	2
32	14-00351-00	Core, Access Valve (Nickel Plated)	1
33	DD19CA061	Cap, Seal Flare, 1/4 Inch	1
34	40-00491-00	Fitting, ORS, 7/8 x 1 7/16-12	1
35	56-62221-00	Tube, Discharge, Bent, 7/8OD x .045W Copper	1
36	34-00855-04	Screw, Cap, Hex Head, 3/8-24 x 1/2 Inch Long, SST	1
37	34-00663-13	Washer, Split Lock, 3/8 Inch, SST	1
38	34-06212-14	Washer, Flat, 3/8 Inch, SST	1
39	68-62523-00	Bracket, Valve, Mounting, Painted	1
40	68-08041-01	Bracket, Support, Discharge, Tube, ORS	1
41	34-06088-00	Nut, Hex, ORS, 1-7/16-12	1
42	81-02651-02	Tube Assembly, Suction - Includes:	1
43	56-62018-00	Tube, Suction, Bent, 1-3/8OD x .055W Copper	1
44	40-00491-06	Fitting, ORS, 1-3/8 ODF x 1-11/16-12	1
45	68-08041-02	Bracket, Support, Suction Tube, Painted	1
46	34-06088-01	Nut, Hex, ORS, 1.125 x 1.69-12	1
47	81-62121-00	Heat Exchanger & Tubing Assembly, Suction/Liquid - Includes:	1
48	56-62243-00	Tube, Suction, Bent, 1-3/8OD x .055W Copper	1
49	AC101-900	Heat Exchanger (HX), Suction Line	1
50	68RM50-176	Tube Assembly, Suction Heat Exchanger - Includes:	1
51	56-62092-00	Tube, Suction, Bent, 1-3/8OD x .055W Copper	1
52	40-01124-00	Body, Valve, Brass, 1/4 SAE Flare - Includes:	2
53	14-00351-00	Core, Access Valve (Nickel Plated)	1
54	DD19CA061	Cap, Seal Flare, 1/4 Inch	1
55	56-03867-00	Tube, Liquid, Bent, 5/8OD x .040W Copper	1
56	56-03830-00	Tube, Liquid, Bent, 5/8OD x .040W Copper	1
57	56-62242-00	Tube, Suction, Bent, 1-3/8OD x .055W Copper	1
58	66U1-1214-5	Body, Flange, TXV, 5/8 ODF Inlet x 7/8 ODF Outlet	1

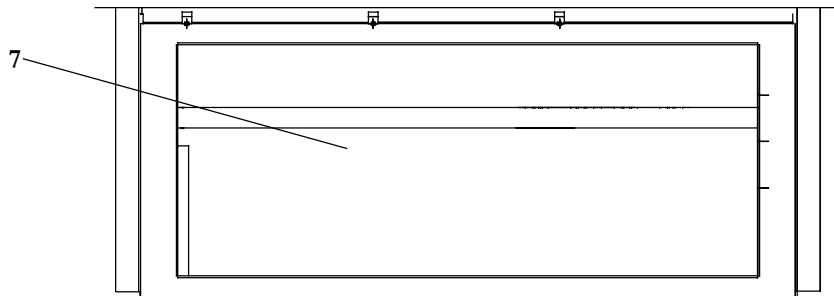


7 AIR FILTERS



Model 68RM50-101-10

Item	Part Number	Description	Qty
1	68RM50-114-3	Filter Assembly - Includes:	1
2	AC801-460-6	Filter, Air, 0.88 Thick x 13.25 x 18.00 Inches, Flame Retardant (Disposable)	3
3	68RM50-1098P	Bracket, Filter Retainer, Painted	1
4	58-04115-00	Receptacle, Snap-In (DZUS)	2
5	58-04113-00	Stud Assembly, Ejecting, Wing Head (DZUS)	2
6	58-04114-00	Retainer, Split, Stud (DZUS)	2



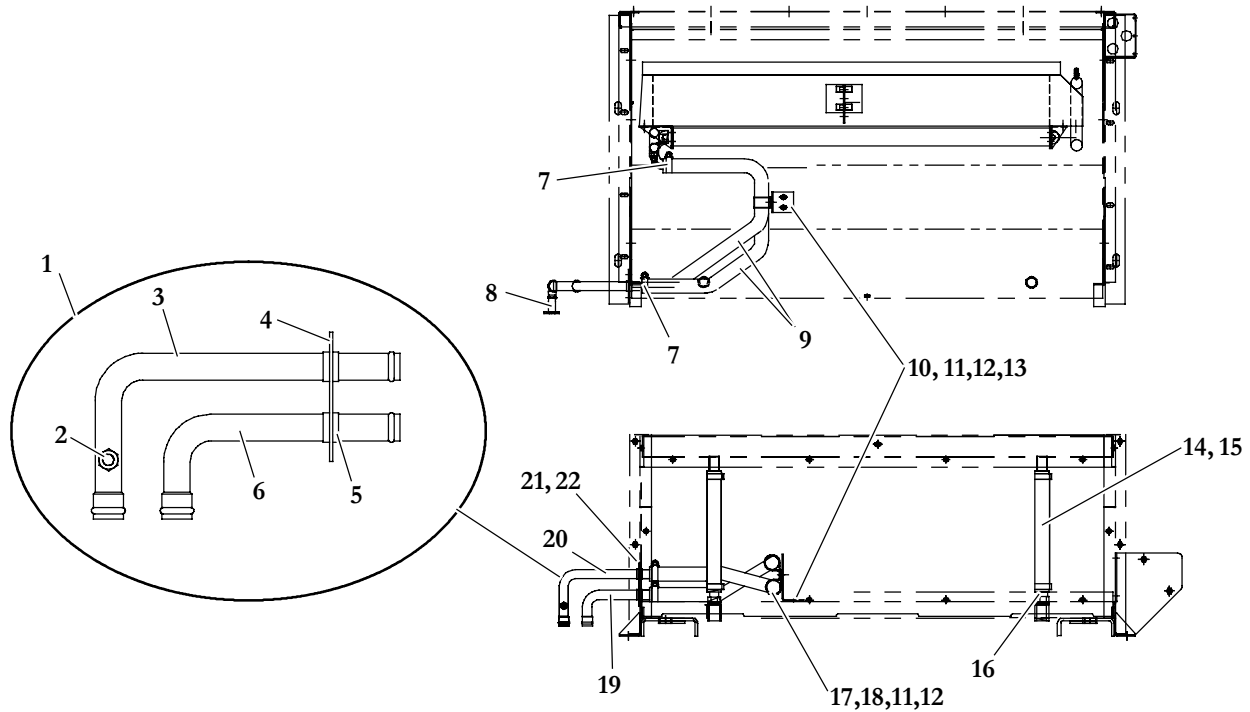
Models 68RM50-100-12, -14, -16, -17, -18, 101-15

7	38-00547-01	Filter, Air, 1.00 Thick x 18.00 x 42.00 Inches (Washable)	1
Models 68RM50-101-13, -16, -18, -19, -20, -21, -22, -23, -24, -25, -26, -27, -28, -29, -30, -31, -33, -34, -35, -36, -38, -39, -40, -41, -42, -43, -44, -45, -46, -47, -48, -49, -50, -51, -53, -54, -55, -56, -57, -58, -59, -60, -62, -63, -64, -65, -66, -67, -68, -69			
7	38-00547-02	Filter, Air, 1.00 Thick x 18.00 x 40.00 Inches (Washable)	1



8 HEATER CONNECTION ASSEMBLY

8.1 Heater Connection Assembly - 68RM50-100-12, -14, 101-13, -15

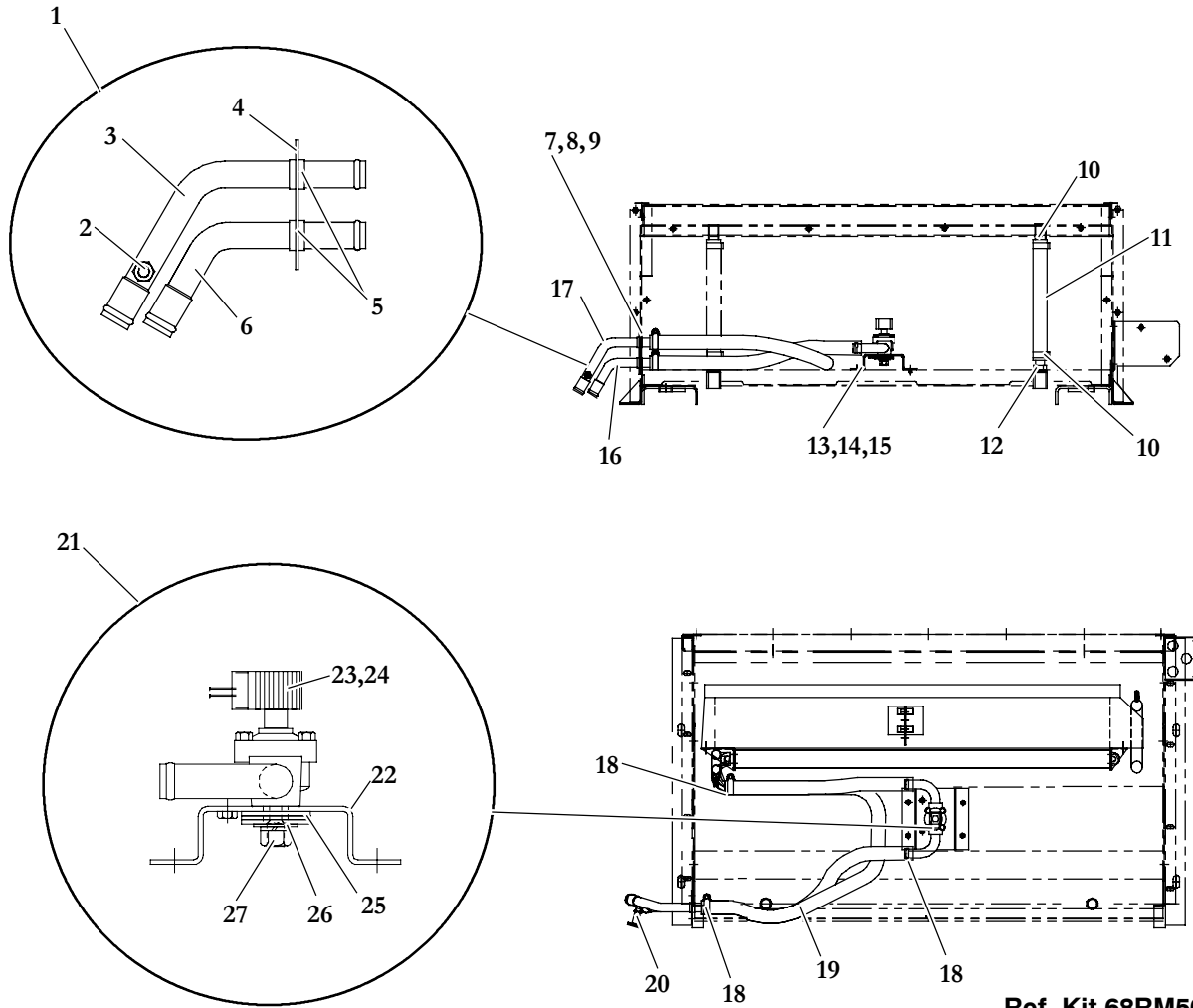


Ref. Kit 68RM50-111-3

Item	Part Number	Description	Qty
1	81-62113-00	Heater Plate Assembly, Heater Coil Connections - Includes:	1
2	DE06DA051	Adapter, Tube Fitting, 1/4 FPT x 1/4 ODF	1
3	56-62235-00	Tube, Bent, Heater, 7/8 OD x .045W Copper, Bead End	1
4	68RM50-1021-1	Plate, Heater Connections	1
5	66CH1-1212-8	Coupling, Braze, 7/8 ID x 0.75 Inch Long	2
6	56-62235-01	Tube, Bent, Heater, 7/8 OD x .045W Copper, Bead End	1
7	44-00318-00	Clamp, Hose, Constant Torque, Range: 0.81 To 1.50 Inches, SST	4
8	66U1-3041	Valve, Petcock, 1/4-18 MPT	1
9	AC301-244	Hose, Heater, Inlet And Outlet, EPDM, 50 Feet Roll	1
10	68-62554-00	Bracket Assembly, Support, Heater Hose, Painted	1
11	34-00662-11	Washer, Plain, 1/4, SST	3
12	34-00663-11	Washer, Split Lock, 1/4, SST	3
13	34-00655-06	Bolt, Hex Head, 1/4-20 x 3/4 Inch Long, SST	2
14	AC301-236	Hose, Drain, 1 Inch I.D. x 36 Inches Long	1
15	58-00712-17	Clamp, Hose, HC 1250 Black	4
16	40-00541-02	Fitting, Hose Barb, 1 Inch	2
17	44-00102-72	Clamp, Hose, 1.31 OD, With Neoprene Cushion, SST	2
18	34-00655-08	Bolt, Hex Head, 1/4-20 x 1 Inch Long, SST	1
19	62-62041-00	Label, IN	1
20	62-62041-01	Label, OUT	1
21	34-01305-03	Screw, Pan Head, Phillips, #6-32 x 3/4 Inch Long, SST	4
22	34-00667-07	Nut, Hex, Self-Locking, #6-32, SST	4



8.2 Heater Connection Assembly - 68RM50-101-10, -16, -18, -21, -33, -35



**Ref. Kit 68RM50-111-4
68RM50-111-6**

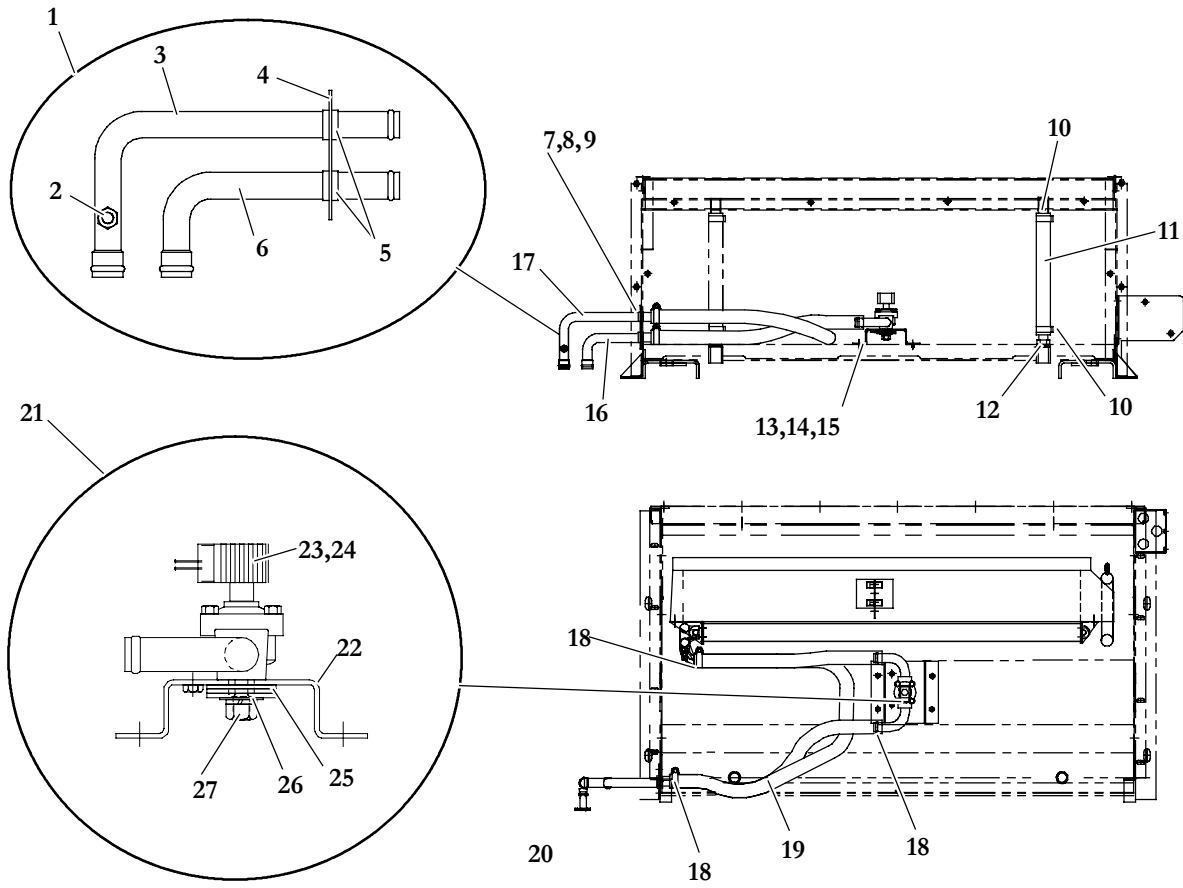
Item	Part Number	Description	Qty
1	81-62104-00	Heater Plate Assembly, Heater Coil Connections -Includes:	1
2	DE06DA051	Adapter, Tube Fitting, 1/4 FPT x 1/4 ODF	1
3	68RM50-1043-2	Tube, Bent, Heater, 7/8 OD x .045W Copper, Bead End	1
4	68RM50-1021-1	Plate, Heater Connections	1
5	66CH1-1212-8	Coupling, Braze, 7/8 ID x 0.75 Inch Long	2
6	68RM50-1043-3	Tube, Bent, Heater, 7/8 OD x .045W Copper, Bead End	1
7	34-01305-03	Screw, Pan Head, Phillips, #6-32 x 3/4 Inch Long, SST	4
8	34-00667-07	Nut, Hex, Self-Locking, #6-32, SST	4
9	34-06212-06	Washer, Plain, #6, SST	4
10	58-00712-17	Clamp, Hose, HC 1250 Black	4
11	AC301-236	Hose, Drain, 1 Inch I.D. x 36 Inches Long	3
12	40-00541-02	Fitting, Hose Barb, 1 Inch	2
13	34-00655-06	Bolt, Hex Head, 1/4-20 x 3/4 Inch Long, SST	4
14	34-00663-11	Washer, Split Lock, 1/4, SST	4
15	34-00662-11	Washer, Plain, 1/4, SST	4



8.2 Heater Connection Assembly - 68RM50-101-10, -16, -18, -21, -33, -35 (Continued)			
Item	Part Number	Description	Qty
16	62-62041-00	Label, IN	1
17	62-62041-01	Label, OUT	1
18	44-00318-00	Clamp, Hose, Constant Torque, Range: 0.81 To 1.50 Inches, SST	6
19	AC301-244	Hose, Heater, Inlet And Outlet, EPDM, 50 Feet Roll	5
20	66U1-3041	Valve, Petcock, 1/4-18 MPT	1
21	68RM45-193	Coolant Valve Assembly - Includes:	1
22	14-00194-00	Valve, Coolant, Solenoid, 7/8 OD Water Bead - Includes:	1
23	14-01110-02	Coil, Solenoid Valve, 24 VDC	1
24	14-50036-00	Repair Kit, Solenoid Valve	1
25	34-00662-18	Washer, Plain, 3/4, SST	3
26	34-06212-15	Washer, Plain, 7/16, SST	1
27	34-00665-14	Nut, Hex, 7/16-20, SST	1



8.3 Heater Connection Assembly - 68RM50-100-16, -18, 101-22, -28, -30, -36, -38, -41, -42, -48, -50, -53, -55, -56, -57, -59, -60, -63, -64, -66, -68, -69



Ref. Kit 68RM50-111-5

Item	Part Number	Description	Qty
1	81-02656-00	Heater Plate Assembly, Heater Coil Connections -Includes:	1
2	DE06DA051	Adapter, Tube Fitting, 1/4 FPT x 1/4 ODF	1
3	56-62235-02	Tube, Bent, Heater, 7/8 OD x .045W Copper, Bead End	1
4	68RM50-1021-1	Plate, Heater Connections	1
5	66CH1-1212-8	Coupling, Braze, 7/8 ID x 0.75 Inch Long	2
6	56-62235-03	Tube, Bent, Heater, 7/8 OD x .045W Copper, Bead End	1
7	34-01305-03	Screw, Pan Head, Phillips, #6-32 x 3/4 Inch Long, SST	4
8	34-00667-07	Nut, Hex, Self-Locking, #6-32, SST	4
9	34-06212-06	Washer, Plain, #6, SST	4
10	AC301-236	Hose, Drain, 1 Inch I.D. x 36 Inches Long	1
11	58-00712-17	Clamp, Hose, HC 1250 Black	4
12	40-00541-02	Fitting, Hose Barb, 1 Inch	2
13	34-00655-06	Bolt, Hex Head, 1/4-20 x 3/4 Inch Long, SST	4
14	34-00663-11	Washer, Split Lock, 1/4, SST	4
15	34-00662-11	Washer, Plain, 1/4, SST	4
16	62-62041-00	Label, IN	1

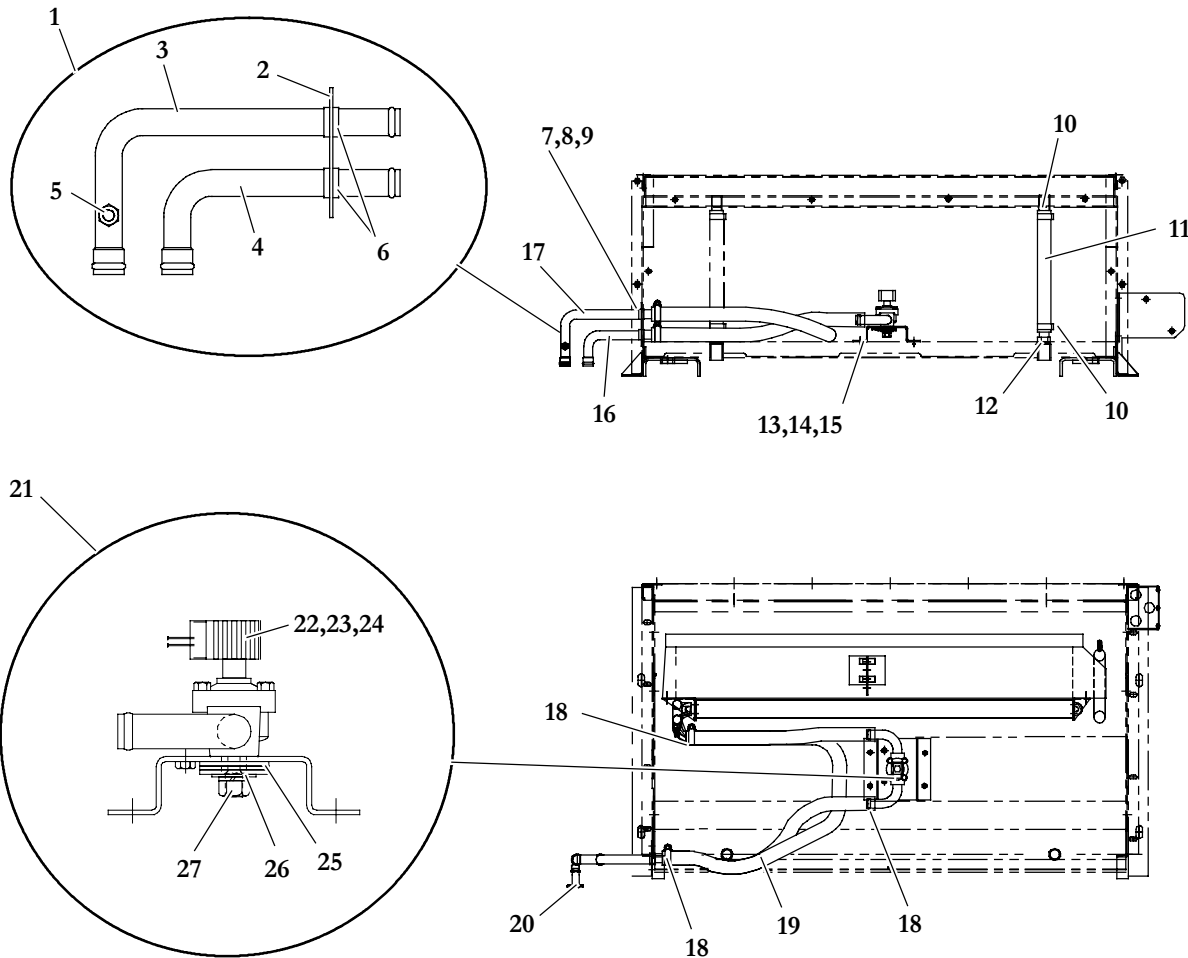


8.3 Heater Connection Assembly - 68RM50-100-16, -18, 101-22, -28, -30, -36, -38, -41, -42, -48, -50, -53, -55, -56, -57, -59, -60, -63, -64, -66, -68, -69 (Continued)

Item	Part Number	Description	Qty
17	62-62041-01	Label, OUT	1
18	44-00318-00	Clamp, Hose, Constant Torque, Range: 0.81 To 1.50 Inches, SST	6
19	AC301-244	Hose, Heater, Inlet And Outlet, EPDM, 50 Feet Roll	5
20	66U1-3041	Valve, Petcock, 1/4-18 MPT	1
21	68RM45-193	Coolant Valve Assembly - Includes:	1
22	14-00194-00	Valve, Coolant, Solenoid, 7/8 OD Water Bead - Includes:	1
23	14-01110-02	Coil, Solenoid Valve, 24 VDC	1
24	14-50036-00	Repair Kit, Solenoid Valve	1
25	34-00662-18	Washer, Plain, 3/4, SST	3
26	34-06212-15	Washer, Plain, 7/16, SST	1
27	34-00665-14	Nut, Hex, 7/16-20, SST	1



8.4 Heater Connection Assembly - 68RM50-100-17, 101-19, -20, -23, -24, -25, -26, -27, -29, -31, -34, -39, -40, -43, -44, -45, -46, -47, -49, -51, -54, -58, -62, -65, -67



Ref. Kit 68RM50-111-7

Item	Part Number	Description	Qty
1	81-02656-00	Heater Plate Assembly, Heater Coil Connections - Includes:	1
2	68RM50-1021-1	Plate, Heater Connections	1
3	56-62235-02	Tube, Bent, Heater, 7/8 OD x .045W Copper, Bead End	1
4	56-62235-03	Tube, Bent, Heater, 7/8 OD x .045W Copper, Bead End	1
5	DE06DA051	Adapter, Tube Fitting, 1/4 FPT x 1/4 ODF	1
6	66CH1-1212-8	Coupling, Braze, 7/8 ID x 0.75 Inch Long	2
7	34-01305-03	Screw, Cross-Recessed, #6-32 x 3/4 Inch Long, SST	4
8	34-00662-07	Washer, Plain, #6, SST	4
9	34-00667-07	Nut, Hex, Self-Locking, #6-32, SST	4
10	58-00712-17	Clamp, Hose, HC 1250 Black	4
11	AC301-236	Hose, Drain, 1 Inch I.D. x 36 Inches Long	3
12	40-00541-02	Fitting, Hose Barb, 1 Inch	2
13	34-00655-06	Bolt, Hex Head, 1/4-20 x 3/4 Inch Long, SST	4



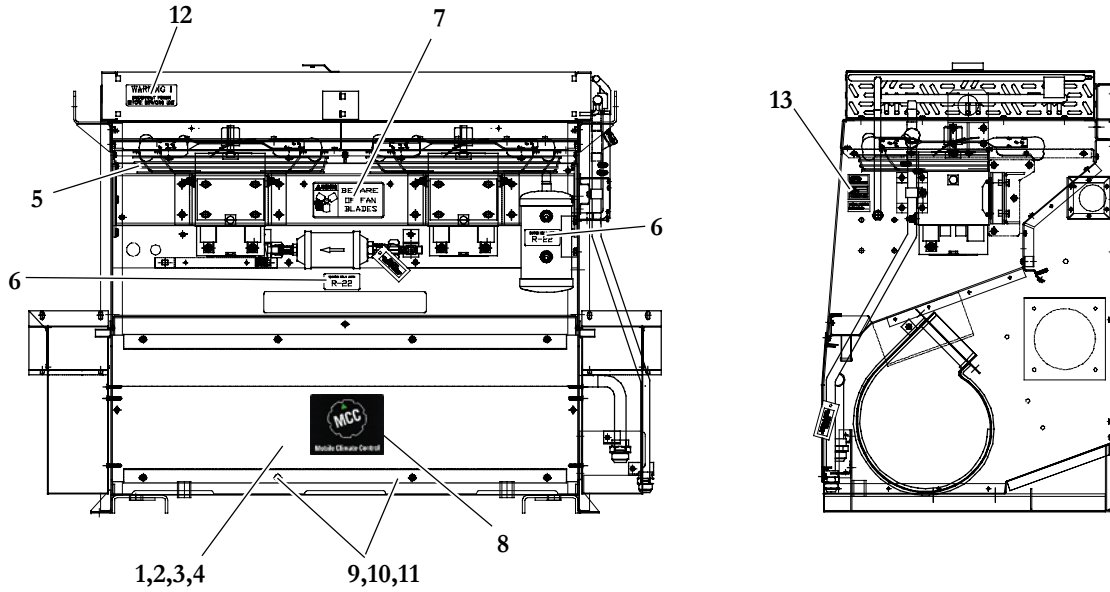
8.4 Heater Connection Assembly - 68RM50-100-17, 101-19, -20, -23, -24, -25, -26, -27, -29, -31, -34, -39, -40, -43, -44, -45, -46, -47, -49, -51, -54, -58, -62, -65, -67 (Continued)

Item	Part Number	Description	Qty
14	34-00662-11	Washer, Plain, 1/4, SST	4
15	34-00663-11	Washer, Split Lock, 1/4, SST	4
16	62-62041-00	Label, IN	1
17	62-62041-01	Label, OUT	1
18	44-00318-00	Clamp, Hose, Constant Torque, Range: 0.81 To 1.50 Inches, SST	6
19	AC301-244	Hose, Heater, Inlet And Outlet, EPDM, 50 Feet Roll	5
20	66U1-3041	Valve, Petcock, 1/4-18 MPT	1
21	68RM45-193	Coolant Valve Assembly - Includes:	1
22	14-00194-00	Valve, Coolant, Solenoid, 7/8 OD Water Bead - Includes:	1
23	14-01110-02	Coil, Solenoid Valve, 24 VDC	1
24	14-50036-00	Repair Kit, Solenoid Valve	1
25	34-00662-18	Washer, Plain, 3/4, SST	3
26	34-06212-15	Washer, Plain, 7/16, SST	1
27	34-00665-14	Nut, Hex, 7/16-20, SST	1



9 LABELS - GASKETS

9.1 Labels - Gaskets - R22 Units

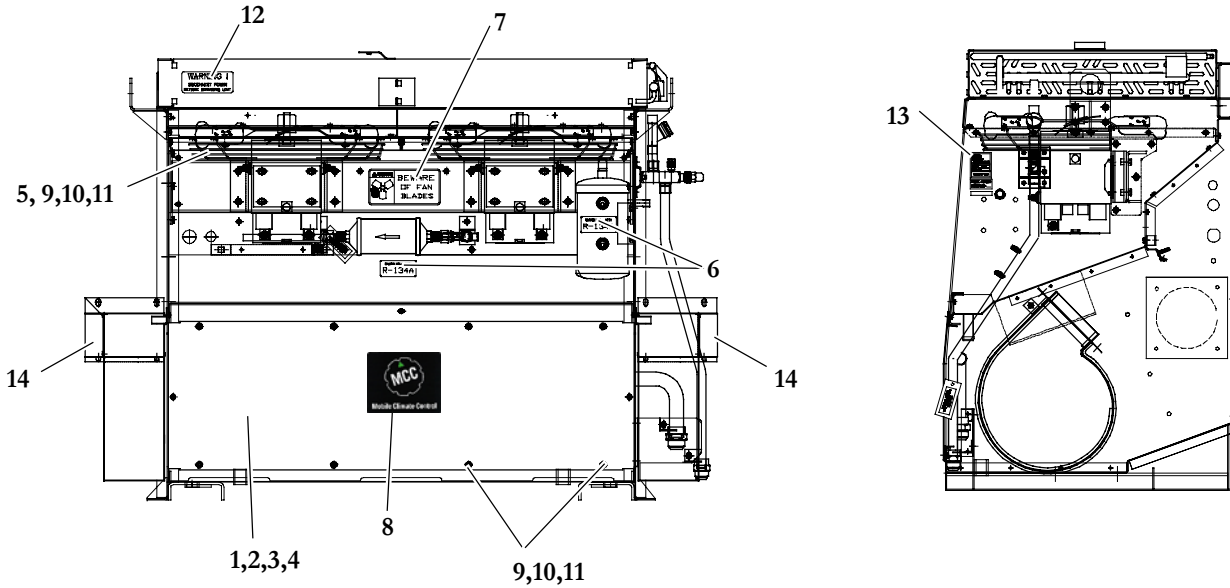


Ref. Kit 68RM50-112

Item	Part Number	Description	Qty
1	68RM50-1027P	Panel, Access, Painted	1
2	68RM50-1007-2	Insulation, Foam. 1.00 Thick x 11.72 x 43.88 Inches	1
3	68RM50-1031	Gasket, Access Door, Neoprene, Adhesive Backed	2
4	68RM50-1031-1	Gasket, Access Door, Neoprene, Adhesive Backed	2
5	68RM35-1133	Grill, Fan Guard, Condenser	2
6	62-62039-01	Label, Charge Only With R-22	2
7	62-62045-00	Label, WARNING, Fan Blades & Disconnect Power	1
8	56-0031	Label, MCC,	1
9	34-00655-06	Bolt, Hex Head, 1/4 -20 x 3/4 Inch Long, SST	18
10	34-06212-12	Washer, Plain 1/4 Inch, SST	18
11	34-00663-11	Washer, Split Lock, 1/4 Inch, SST	18
12	62-62001-00	Label, WARNING, Disconnect Power Before Servicing Unit	1
13	62-04062-01	Label, Unit Model Number	2



9.2 Labels - Gaskets - R-134a Units

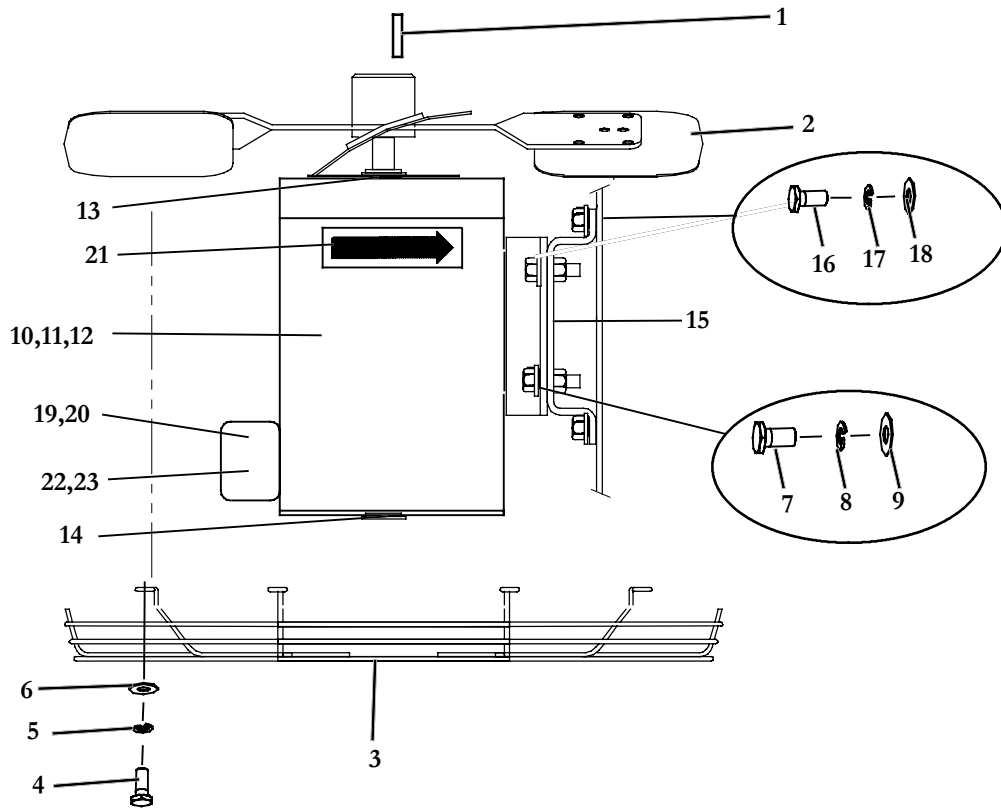


Ref. Kit 68RM50-112-1
68RM50-112-2

Item	Part Number	Description	Qty
1	68RM50-1027P	Panel, Access, Painted	1
2	68RM50-1007-2	Insulation, Foam 1.00 Thick x 11.72 x 43.88 Inches	1
3	68RM50-1031	Gasket, Access Door, Neoprene, Adhesive Backed	2
4	68RM50-1031-1	Gasket, Access Door, Neoprene, Adhesive Backed	2
5	68RM35-1133	Grill, Fan Guard, Condenser	2
6	62-62039-00	Label, Charge Only With R-134a	2
7	62-62045-00	Label, WARNING, Fan Blades & Disconnect Power	1
8	56-0031	Label, MCC,	1
9	34-00655-06	Bolt, Hex Head, 1/4 -20 x 3/4 Inch Long, SST	18
10	34-06212-12	Washer, Plain 1/4 Inch, SST	18
11	34-00663-11	Washer, Split Lock, 1/4 Inch, SST	18
12	62-62001-00	Label, WARNING, Disconnect Power Before Servicing Unit	1
13	62-04062-01	Label, Unit Model Number	2
14	42-01232-00	Gasket, Blower Duct, Adhesive Backed (Only Used On Models: 68RM50-101-10, -13, -15, -19, -20, -22, -23, -24, -25, -26, -27, -28, -29, -30, -31, -34, -36, -39, -40, -42, -43, -44, -45, -46, -47, -48, -49, -50, -51, -54, -56, -58, -60, -62, -65, -66, -67, -68, -69)	2



10 CONDENSER FAN MOTOR ASSEMBLY



10.1 Condenser Fan Motor Assembly - Common Parts - All Models

Item	Part Number	Description	Qty
1	34-00672-00	Key, Square, 3/16 x 1-1/4 Inch	2
2	38-00516-00	Fan Blade, Condenser, Counterclockwise, 18 Inch Diameter	2
3	68RM35-1133	Grill, Fan Guard, Condenser	2
4	34-00655-06	Bolt, Hex Head, 1/4 -20 x 3/4 Inch Long, SST	8
5	34-00663-11	Washer, Split Lock, 1/4 Inch, SST	8
6	34-06212-12	Washer, Plain 1/4 Inch, SST	8
7	34-00792-08	Bolt, Hex Head, 5/16-18 x 1 Inch Long, SST	8
8	34-00663-12	Washer, Split Lock, 5/16 Inch, SST	8
9	34-00662-12	Washer, Plain, 5/16 Inch, SST	8

10.2 Condenser Fan Motor Assembly - Models 68RM50-100-12, 100-14, 101-10, 101-13

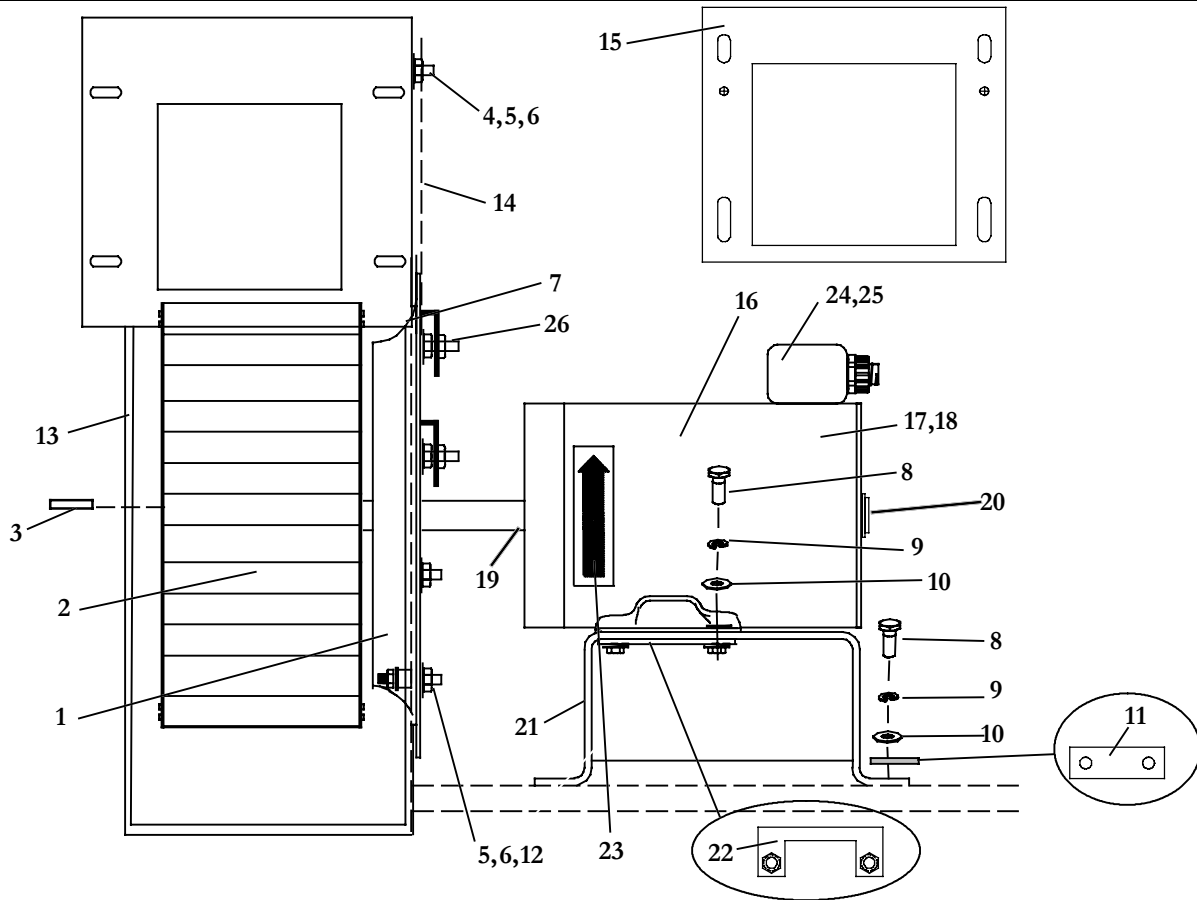
10	AC501-146	Motor, Fan, Condenser, .8HP, 24VDC, Wound Field - Includes:	2
11	54-00508-30	Brush, Motor	4
12	54-50067-31	Holder, Brush	1
13	54-00517-20	Bearing, Shaft End	1
14	54-00122-23	Bearing, Opposite Shaft End	1
15	68RM35-187P	Bracket Assembly, Motor Mounting, Condenser, Painted	2
16	34-00807-08	Bolt, Hex Head, 3/8-16 x 1 Inch Long, SST	8
17	34-00663-13	Washer, Split Lock, 3/8 Inch, SST	8
18	34-06212-14	Washer, Plain, 3/8 Inch, SST	8



10.3 Condenser Fan Motor Assembly - Model 68RM50-101-15			
Item	Part Number	Description	Qty
10	54-00533-00	Motor, Fan, Condenser, .8HP, 24VDC, Brushless	2
15	68RM35-433P	Bracket Assembly, Motor Mounting, Condenser, Painted	2
19	22-02126-02	Cap, Insulated, Electrical, #12 to #14 AWG	8
20	22-02126-03	Cap, Insulated, Electrical, #14 to #16 AWG	8
10.4 Condenser Fan Motor Assembly - Model 68RM50-101-16			
10	AC501-146	Motor, Fan, Condenser, .8HP, 24VDC, Wound Field - Includes:	2
11	54-00508-30	Brush, Motor	4
12	54-50067-31	Holder, Brush	1
13	54-00517-20	Bearing, Shaft End	1
14	54-00122-23	Bearing, Opposite Shaft End	1
15	68RM35-187P	Bracket Assembly, Motor Mounting, Condenser, Painted	2
16	34-00807-08	Bolt, Hex Head, 3/8-16 x 1 Inch Long, SST	8
17	34-00663-13	Washer, Split Lock, 3/8 Inch, SST	8
18	34-06212-14	Washer, Plain, 3/8 Inch, SST	8
21	62-62038-00	Label, ARROW	2
10.5 Condenser Fan Motor Assembly - Models 68RM50-100-17, -18, 101-18, -22, -24, -31, -33, -38, -42, -44, -51, -53, -57, -59, -62			
10	AC501-146	Motor, Fan, Condenser, .8HP, 24VDC, Wound Field - Includes:	2
11	54-00508-30	Brush, Motor	4
12	54-50067-31	Holder, Brush	1
13	54-00517-20	Bearing, Shaft End	1
14	54-00122-23	Bearing, Opposite Shaft End	1
16	34-00792-06	Bolt, Hex Head, 5/16-18 x 3/4 Inch Long, SST	8
21	62-62038-00	Label, ARROW	2
10.6 Condenser Fan Motor Assembly - Models 68RM50-100-16, 101-19, -21, -23, -25, -26, -27, -28, -29, -34, -36, -39, -41, -43, -45, -46, -47, -48, -49, -54, -58, -60, -64, -67, -68, -69			
10	54-00533-00	Motor, Fan, Condenser, .8HP, 24VDC, Brushless	2
16	34-00792-06	Bolt, Hex Head, 5/16-18 x 3/4 Inch Long, SST	8
19	AC201-217	Terminal, Connector, Closed End	8
20	AC201-246	Terminal, Connector, Closed End	8
10.7 Condenser Fan Motor Assembly - Models 68RM50-101-20, -30, -35, -40, -50, -55, -56, -63, -65 -66			
10	AC501-120	Motor, Condenser, GE .80 HP PM	2
11	54-50067-00	Brush, Motor	4
12	54-50067-31	Holder, Brush	1
13	54-00122-23	Bearing, Shaft End	1
14	54-00122-23	Bearing, Opposite Shaft End	1
16	34-00792-06	Bolt, Hex Head, 5/16-18 x 3/4 Inch Long, SST	8
22	AC201-244	Terminal, Butt Connector, 14-16 Gauge	8
23	66U1-3803-15	Tubing, Heat Shrink, 3/16 Inch	2



11 EVAPORATOR BLOWER ASSEMBLY



11.1 Evaporator Blower Assembly - Common Parts - All Models

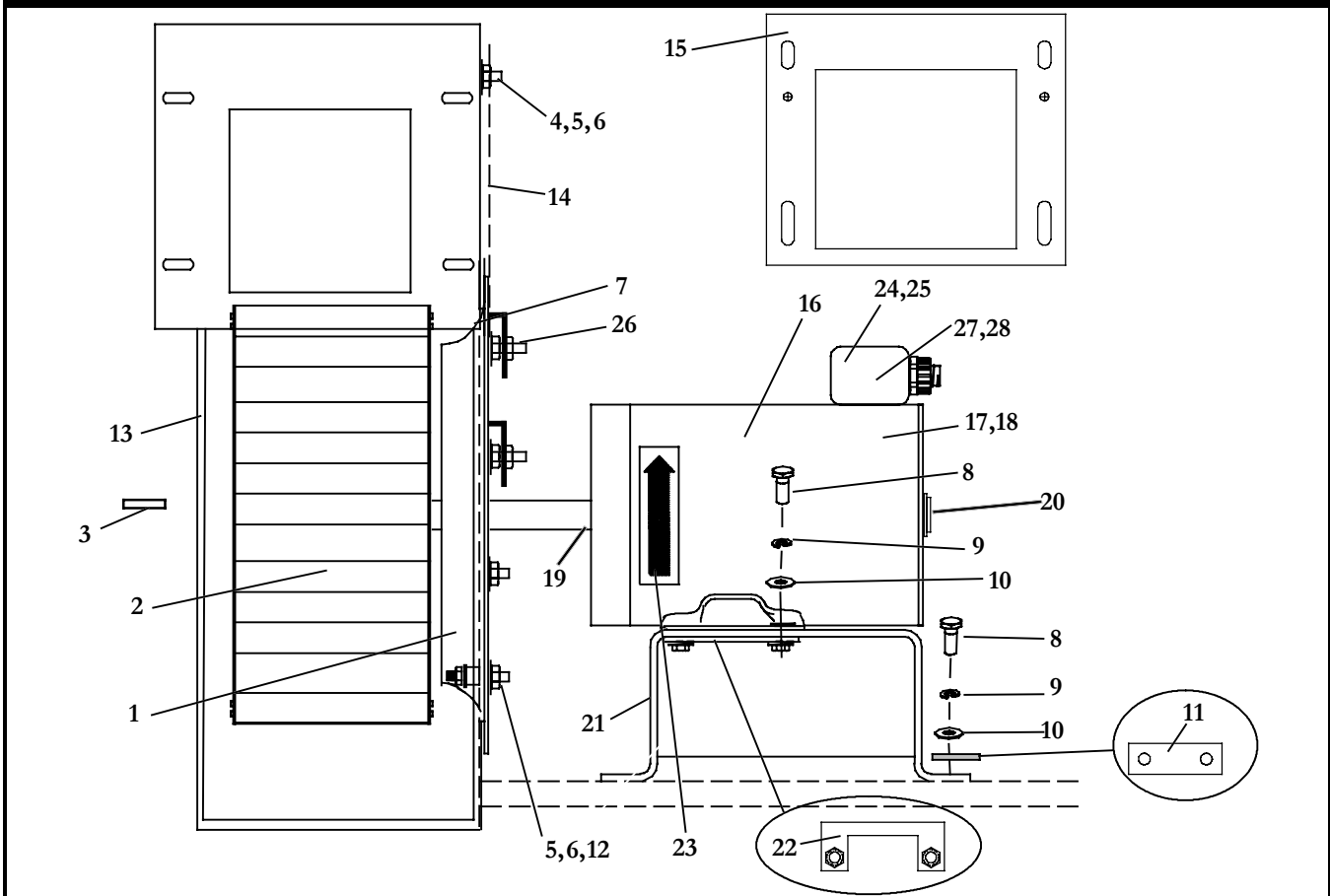
Item	Part Number	Description	Qty
1	68RM55-1076	Ring, Venturi, Plastic	2
2	38-00512-00	Blower Wheel, Clockwise, 9 Inch Diameter, RoadSide	1
	38-00512-01	Blower Wheel, Counterclockwise, 9 Inch Diameter, CurbSide	
3	34-00672-00	Key, Square, 3/16 x 1-1/4 Inch	2
4	34-00655-06	Bolt, Hex Head, 1/4 -20 x 3/4 Inch Long, SST	2
5	34-06212-12	Washer, Plain 1/4 Inch, SST	10
6	34-00663-11	Washer, Split Lock, 1/4 Inch, SST	18
7	68RM55-1142P	Clip, Venturi Ring, Painted	8
8	34-00792-08	Bolt, Hex Head, 5/16-18 x 1 Inch Long, SST	16
9	34-00663-12	Washer, Split Lock, 5/16 Inch, SST	16
10	34-00662-12	Washer, Plain, 5/16 Inch, SST	16
11	68RM35-1106P	Plate, Motor Mount Washer, Painted (2 Required Per Motor)	4
12	34-00666-11	Nut, Hex, 1/4-20, SST	8



11.2 Evaporator Blower Assembly - Models 68RM50-100-12, -14, 101-10, -13, -16			
Item	Part Number	Description	Qty
13	38-00571-00	Blower Housing, RoadSide	1
	38-00571-01	Blower Housing, CurbSide	
14	42-62070-00	Gasket, BLower Housing, RoadSide	1
	42-62070-01	Gasket, BLower Housing, CurbSide	
15	68-62942-00	Adapter Flange Assembly, Blower Housing, Painted	2
16	AC501-148	Motor, Blower, Evaporator, .8HP, 24VDC, Wound Field - Includes:	2
17	54-00508-30	Brush, Motor	4
18	54-50067-31	Holder, Brush	1
19	54-00517-20	Bearing, Shaft End	1
20	54-00122-23	Bearing, Opposite Shaft End	1
21	68RM35-117P	Bracket Assembly, Motor Mounting, Evaporator, Painted	2
22	68RM40-202-3P	Bracket Assembly, Painted (2 Required Per Motor)	4
23	62-62038-00	Label, ARROW	2
11.3 Evaporator Blower Assembly - Model 68RM50-101-15			
13	68RM50-138	Blower Housing, RoadSide	1
	68RM50-138-1	Blower Housing, CurbSide	
14	68RM50-1029	Gasket, Blower Housing, RoadSide	1
	68RM50-1029-1	Gasket, Blower Housing, CurbSide	
16	AC501-152	Motor, Blower, Evaporator, .75HP, 24VDC, Brushless	2
21	68RM35-107P	Bracket Assembly, Motor Mounting, Evaporator, Painted	2
22	68RM40-202-2P	Bracket Assembly, Painted (2 Required Per Motor)	4
24	22-02126-02	Cap, Insulated, Electrical, #12 to #14 AWG	8
25	22-02126-03	Cap, Insulated, Electrical, #14 to #16 AWG	8
26	34-00667-11	Nut, Hex, Lock ESNA 1/4-20 SS	8
11.4 Evaporator Blower Assembly - Models 68RM50-100-17, -18, 101-18, -22, -24, -31, -33, -38, -42, -44, -51, -53, -57, -59, -62			
13	38-00571-00	Blower Housing, RoadSide	1
	38-00571-01	Blower Housing, CurbSide	
14	42-62070-00	Gasket, Blower Housing, RoadSide	1
	42-62070-01	Gasket, Blower Housing, CurbSide	
15	68-62942-00	Adapter Flange Assembly, Blower Housing, Painted	2
16	AC501-148	Motor, Blower, Evaporator, .8HP, 24VDC, Wound Field - Includes:	2
17	54-00508-30	Brush, Motor	4
18	54-50067-31	Holder, Brush	1
19	54-00517-20	Bearing, Shaft End	1
20	54-00122-23	Bearing, Opposite Shaft End	1
21	68RM40-202-3P	Bracket Assembly, Painted (2 Required Per Motor)	4
23	62-62038-00	Label, ARROW	4
26	34-00667-11	Nut, Hex, Lock ESNA 1/4-20 SS	8



11 EVAPORATOR BLOWER ASSEMBLY (Continued)



11.1 Evaporator Blower Assembly - Common Parts - All Models (Continued)

Item	Part Number	Description	Qty
1	68RM55-1076	Ring, Venturi, Plastic	2
2	38-00512-00	Blower Wheel, Clockwise, 9 Inch Diameter, RoadSide	1
	38-00512-01	Blower Wheel, Counterclockwise, 9 Inch Diameter, CurbSide	
3	34-00672-00	Key, Square, 3/16 x 1-1/4 Inch	2
4	34-00655-06	Bolt, Hex Head, 1/4-20 x 3/4 Inch Long, SST	2
5	34-06212-12	Washer, Plain 1/4 Inch, SST	10
6	34-00663-11	Washer, Split Lock, 1/4 Inch, SST	18
7	68RM55-1142P	Clip, Venturi Ring, Painted	8
8	34-00792-08	Bolt, Hex Head, 5/16-18 x 1 Inch Long, SST	16
9	34-00663-12	Washer, Split Lock, 5/16 Inch, SST	16
10	34-00662-12	Washer, Plain, 5/16 Inch, SST	16
11	68RM35-1106P	Plate, Motor Mount Washer, Painted (2 Required Per Motor)	4
12	34-00666-11	Nut, Hex, 1/4-20, SST	8

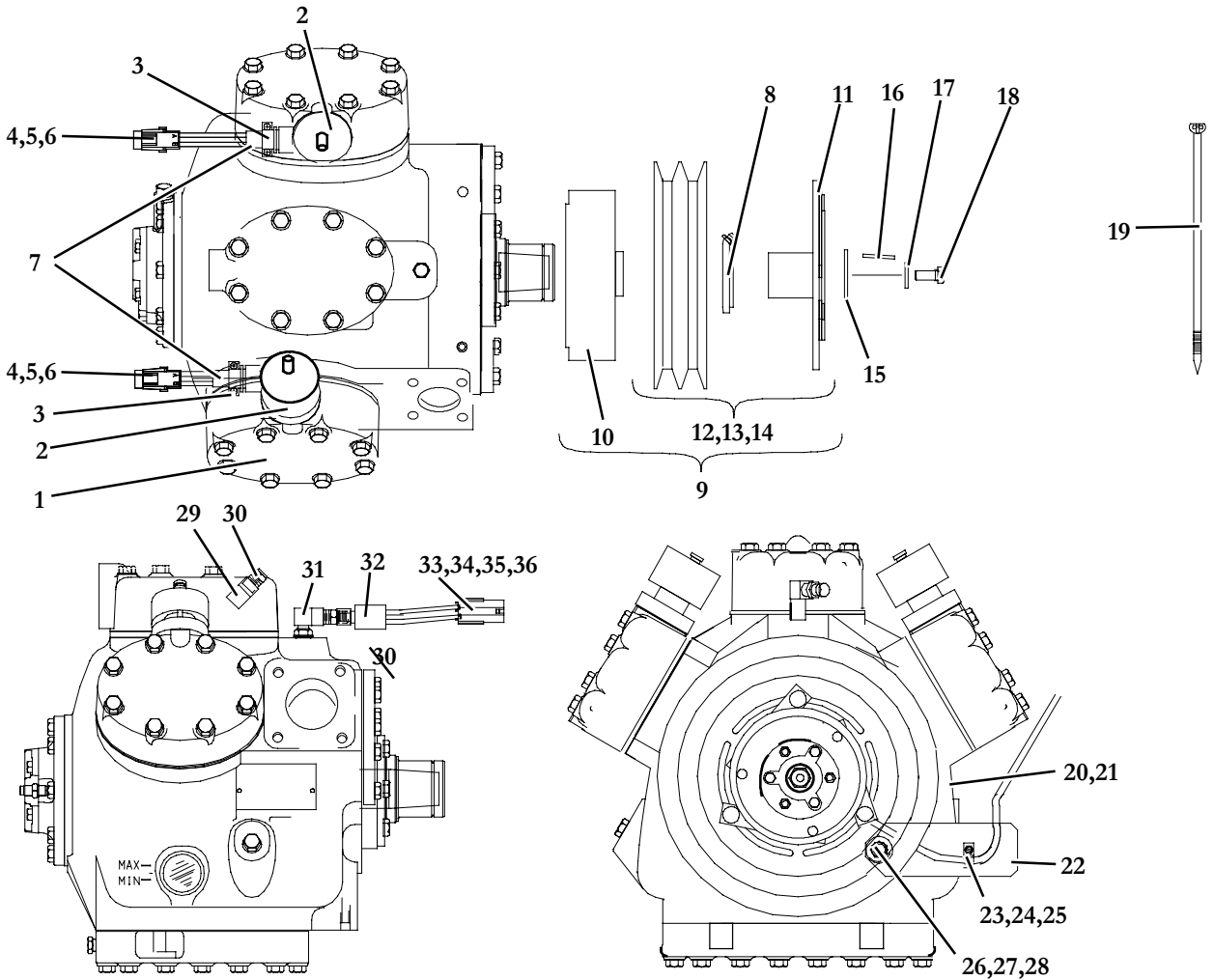


11.5 Evaporator Blower Assembly - Models 68RM50-100-16, 101-19, -21, -23, -25, -26, -27, -28, -29, -34, -36, -39, -41, -43, -45, -46, -47, -48, -49, -54, -58, -60, -64, -67, -68, -69			
Item	Part Number	Description	Qty
13	38-00571-00	Blower Housing, RoadSide	1
	38-00571-01	Blower Housing, CurbSide	
14	42-62070-00	Gasket, Blower Housing, RoadSide	1
	42-62070-01	Gasket, Blower Housing, CurbSide	
15	68-62942-00	Adapter Flange Assembly, Blower Housing, Painted	2
16	AC501-152	Motor, Blower, Evaporator, .75HP, 24VDC, Brushless	2
21	68RM35-107P	Bracket Assembly, Motor Mounting, Evaporator, Painted	2
22	68RM40-202-2P	Bracket Assembly, Painted (2 Required Per Motor)	4
24	22-02126-02	Cap, Insulated, Electrical, #12 to #14 AWG	8
25	22-02126-03	Cap, Insulated, Electrical, #14 to #16 AWG	8
26	34-00667-11	Nut, Hex, Lock ESNA 1/4-20 SS	8
11.6 Evaporator Blower Assembly - Models 68RM50-101-20, -30, -35, -40, -50, -55, -56, -63, -65, -66			
13	38-00571-00	Blower Housing, RoadSide	1
	38-00571-01	Blower Housing, CurbSide	
14	42-62070-00	Gasket, Blower Housing, RoadSide	1
	42-62070-01	Gasket, Blower Housing, CurbSide	
15	68-62942-00	Adapter Flange Assembly, Blower Housing, Painted	2
16	54-00599-00	Motor, Blower, Evaporator, .75HP, 24VDC, Permanent Magnet	2
17	54-50067-00	Brush, Motor	4
18	54-50067-31	Holder, Brush	1
19	54-00508-20	Bearing, Shaft End	1
20	54-00122-23	Bearing, Opposite Shaft End	1
21	68RM35-107P	Bracket Assembly, Motor Mounting, Evaporator, Painted	2
22	68RM40-202-2P	Bracket Assembly, Painted (2 Required Per Motor)	4
23	62-62038-00	Label, ARROW	2
26	34-00667-11	Nut, Hex, Lock ESNA 1/4-20 SS	8
27	AC201-244	Terminal, Butt Connector, 14-16 Gauge	8
28	66U1-3803-15	Tubing, Heat Shrink, 3/16 Inch	2



12 COMPRESSOR INSTALLATION COMPONENTS

12.1 Compressor Installation Components - R-134a Systems - Common Parts



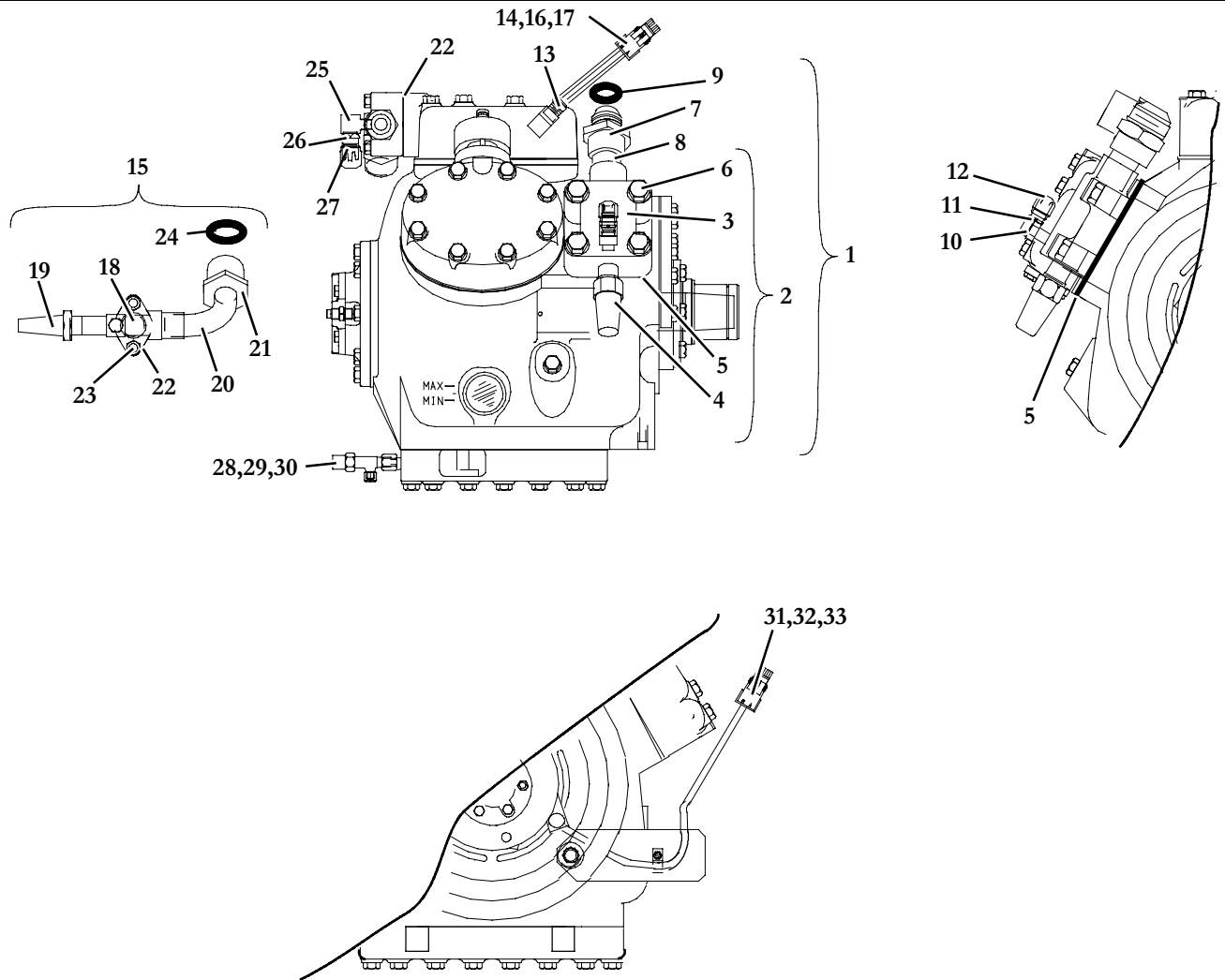
Item	Part Number	Description	Qty
1	17-44062-00	Compressor Assembly, 05G Service (Remanufactured, 41 CFM)	1
	18-00091-160	Compressor Assembly, 05G Service (New, Twin Port, 41 CFM)	
2	22-02804-02	Coil, Solenoid, Compressor Unloader, 24 VDC	2
3	69ND35-1781	Connector, Straight, 2-Screw	2
4	22-02392-01	Connector, 2 Pin, Medium Gray	2
5	22-02393-01	Terminal, Male (18-20 AWG)	4
6	22-02394-00	Seal, Cable, Gray	4
7	66NS0801CD0020	Sleeve, 0.50 ID x .062W x 2.00 Inches Long	2
8	34-06083-00	Nut, Lock, Clutch, Special	1
9	50-01122-14	Clutch Assembly, 24 VDC (Less Lock Nut Item 8) - Includes:	1
10	50-01122-50	Coil, Clutch, 24 VDC	1
11	NSS	Armature Assembly	1
12	50-01122-93	Rotor And Armature Assy. (2-5V Groove AT 10.5 Inch OD) - Includes:	1
13	04-00130-00	Bearing	1
14	34-01186-00	Ring, Retainer	1



12.1 Compressor Installation Components - R-134a Systems - Common Parts (Continued)			
Item	Part Number	Description	Qty
15	68G2-9082	Washer, Special, 7/16 ID	1
16	68G2-9072	Key, Crankshaft, Special	1
17	AU11AR241	Washer, Lock, 3/8 Spring	1
18	34-00613-10	Screw, Hex Head Cap, 3/8-24 x 1.25. SAE Grade 8, Zinc Plated	1
19	66U1-3882	Wire Tie, Self-Locking, 7 Inches	1
20	62-02444-00	Label, Charge Only With R-134a	1
21	62-02913-00	Label, POE Oil, Compressor	1
22	68PD1-1202	Bracket, Clutch Wire Support	1
23	34-00373-51	Clamp, Tube, 0.25 Inch Diameter, Cushioned	1
24	34-00827-10	Screw, Machine, Slotted, #8-32 x 0.625	1
25	AT31AB101	Nut, Hex, KEPS, #8-32	1
26	17-40037-05	Screw, Hex Head Cap, 3/8-16 x 1.00 Long	1
27	AU02AB242	Washer, Plain, 3/8 SAE	1
28	34-00372-13	Washer, Lock, 3/8, External Tooth	1
29	14-01093-00	Snubber Assembly, 90 Degree, 1/4 MPT x 1/4 FPT	1
30	06DA403844	Valve Assembly, Schrader, 1/4 Male Flare	3
31	40-01166-01	Elbow, Adapter, 1/4 FPT x 7/16 UNC	1
32	12-00299-01	Switch, Pressure, Low - Includes:	1
33	22-02392-00SV	Connector Kit, 2 Pin - Includes:	1
34	NSS	Connector, Male, 2 Pin, Black	1
35	22-02393-00	Terminal, Male (14-16 AWG)	2
36	22-02394-01	Seal, Cable, Blue	2



12.2 Compressor Installation Components - 68RM50-101-10, -13, -15, -19, -20, -22, -23, -24, -26, -27



Ref. Comp. 68PD541-104-16

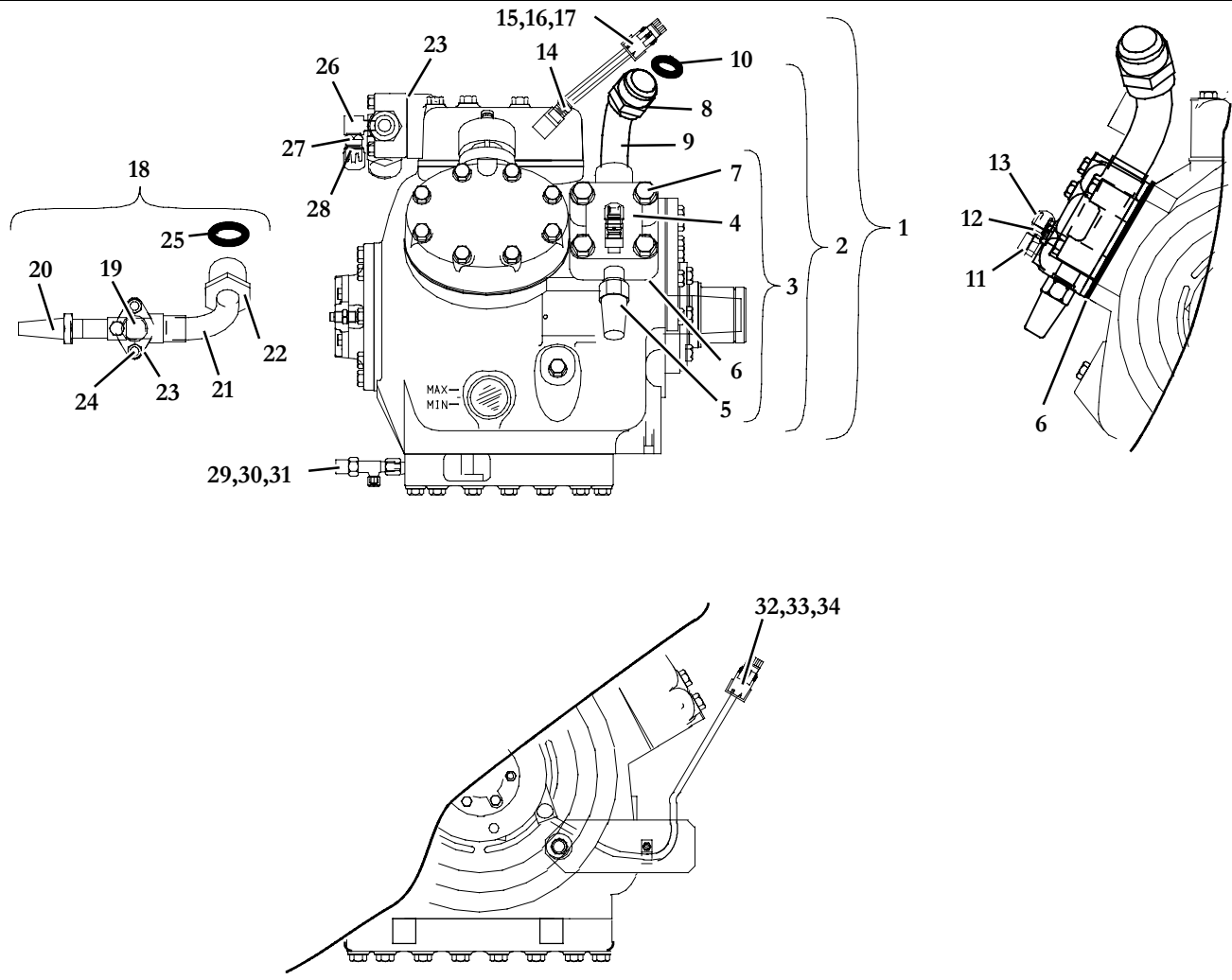
Item	Part Number	Description	Qty
1	68PD2-110-29	Valve Assembly, Suction, Service - Includes:	1
2	17-40002-01	Valve Package, Suction, Service - Includes:	1
3	NSS	Valve, Suction, Service, 1-3/8 ODF	1
4	17-10812-00	Cap, Service Valve Stem, With "O" Ring, Plastic	1
5	17-40005-05	Gasket, Suction Service Valve (Valve To Compressor)	1
6	17-13020-00	Bolt, Hex Head, 1/2 - 13 x 2.50 Inches Long	4
7	66U1-1003-19	Adapter, Coupling, 1-3/8 ODS x 37 Degree JIC Flare	1
8	68PD1-1082-2	Tube, Suction, Straight, 1-3/8 OD x .065W x 2.19 Inches, Steel	1
9	KK71GW015	O-Ring, 1-5/16 x 1-1/2 x 3/32	2
10	40-00524-00	Elbow, 1/4 NPT x M13, Low Pressure Side	1
11	40-00520-00	Coupling, Service Port, M13, R-134a - Includes:	1
12	40-00520-02	Cap, Service Port	1
13	12-00299-07	Switch, Pressure, High - Includes:	1
14	22-01585-00SK	Connector, Male, 2 Pin, Black	1



12.2 Compressor Installation Components - 68RM50-101-10, -13, -15, -19, -20, -22, -23, -24, -26, -27 (Continued)			
Item	Part Number	Description	Qty
15	68PD2-110-56	Valve Assembly, Discharge, Service - Includes:	1
16	22-02393-00	Terminal, Male (14-16 AWG)	2
17	22-02394-01	Seal, Cable, Blue	2
18	14-01042-10	Valve, Discharge, Service, 7/8 ODF - Includes:	1
19	17-10812-00	Cap, Service Valve Stem, With "O" Ring, Plastic	1
20	68PD1-1092	Tube, Bent, 7/8 OD x .049W Steel	1
21	DE07DA608	Adapter, 7/8 ODS x 1 Male 37 Degree, JIC Flare	1
22	17-10811-05	Gasket, Discharge Service Valve (Valve To Compressor)	1
23	17-40012-00	Bolt, Hex Head, 5/16-18 x 2.00 Inches Long	2
24	42-00243-00	O-Ring, 0.921 ID x 0.139 Thick	2
25	40-00524-01	Elbow, 1/8 NPT x M15, High Pressure Side	1
26	40-00520-01	Coupling, Service Port, M15, R-134a - Includes:	1
27	40-00520-03	Cap, Service Port	1
28	EP23LC090	Valve, Angle, 1/4 NPT x 1/4 SAE Flare	1
29	40-00528-01	Connector, 1/4 FPT x 7/16-20, Steel	1
30	42-00243-07	O-Ring, 0.351 ID x 0.072 Thick	2
31	22-01585-02	Connector (Clutch), Male, 2 Pin, Gray	1
32	22-02393-00	Terminal, Male (14-16 AWG)	2
33	22-02394-01	Seal, Cable, Blue	2



12.3 Compressor Installation Components - 68RM50-101-25



Ref. Comp. 68PD541-104-20

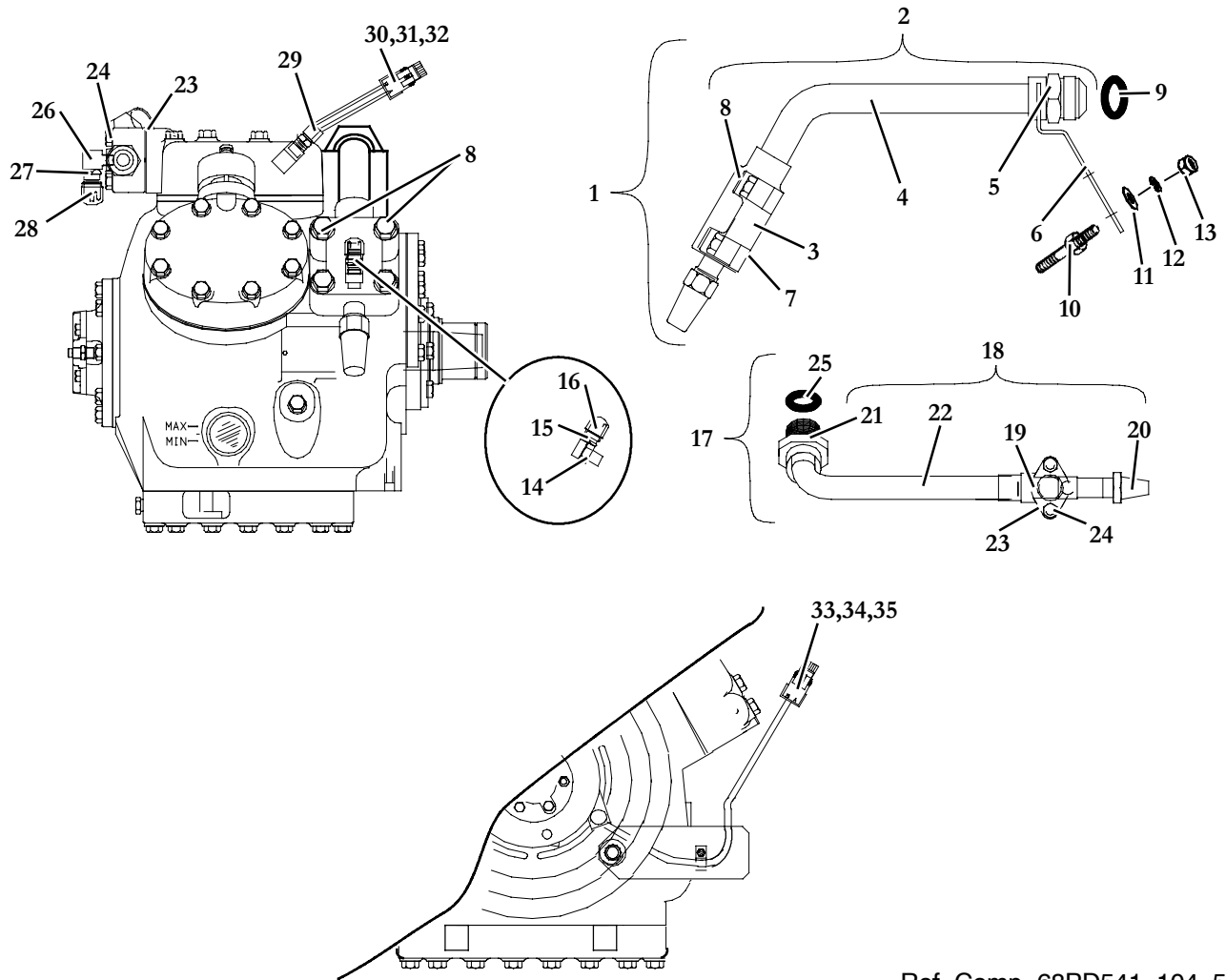
Item	Part Number	Description	Qty
1	68PD2-110-24	Valve Assembly, Suction, Service - Includes:	1
2	68PD1-264	Valve Assembly, Suction, With Tube - Includes:	1
3	17-40002-01	Valve Package, Suction, Service - Includes:	1
4	NSS	Valve, Suction, Service, 1-3/8 ODF	1
5	17-10812-00	Cap, Service Valve Stem, With "O" Ring, Plastic	1
6	17-40005-05	Gasket, Suction Service Valve (Valve To Compressor)	1
7	17-13020-00	Bolt, Hex Head, 1/2 - 13 x 2.50 Inches Long	4
8	66U1-1003-19	Adapter, Coupling, 1-3/8 ODS x 37 Degree JIC Flare	1
9	68PD1-1182-1	Tube, Suction, Bent, 1-3/8 OD x .065W, Steel	1
10	KK71GW015	O-Ring, 1-5/16 x 1-1/2 x 3/32	2
11	40-00524-00	Elbow, 1/4 NPT x M13, Low Pressure Side	1
12	40-00520-00	Coupling, Service Port, M13, R-134a - Includes:	1
13	40-00520-02	Cap, Service Port	1
14	12-00299-07	Switch, Pressure, High - Includes:	1



12.3 Compressor Installation Components - 68RM50-101-25, -45 (Continued)			
Item	Part Number	Description	Qty
15	22-01585-00SK	Connector, Male, 2 Pin, Black	1
16	22-02393-00	Terminal, Male (14-16 AWG)	2
17	22-02394-01	Seal, Cable, Blue	2
18	68PD2-110-56	Valve Assembly, Discharge, Service - Includes:	1
19	14-01042-10	Valve, Discharge, Service, 7/8 ODF - Includes:	1
20	17-10812-00	Cap, Service Valve Stem, With "O" Ring, Plastic	1
21	68PD1-1092	Tube, Bent, 7/8 OD x .049W Steel	1
22	DE07DA608	Adapter, 7/8 ODS x 1 Male 37 Degree JIC Flare	1
23	17-10811-05	Gasket, Discharge Service Valve (Valve To Compressor)	1
24	17-40012-00	Bolt, Hex Head, 5/16-18 x 2.00 Inches Long	2
25	42-00243-00	O-Ring, 0.921 ID x 0.139 Thick	2
26	40-00524-01	Elbow, 1/8 NPT x M15, High Pressure Side	1
27	40-00520-01	Coupling, Service Port, M15, R-134a - Includes:	1
28	40-00520-03	Cap, Service Port	1
29	EP23LC090	Valve, Angle, 1/4 NPT x 1/4 SAE Flare	1
30	40-00528-01	Connector, 1/4 FPT x 7/16-20, Steel	1
31	42-00243-07	O-Ring, 0.351 ID x 0.072 Thick	2
32	22-01585-02	Connector (Clutch), Male, 2 Pin, Gray	1
33	22-02393-00	Terminal, Male (14-16 AWG)	2
34	22-02394-01	Seal, Cable, Blue	2



12.4 Compressor Installation Components - 68RM50-101-16, -18, -21, -33, -35, -38, -41, -53, -55



Ref. Comp. 68PD541-104-50
 68PD541-104-69
 68PD541-124-30
 68PD541-124-70

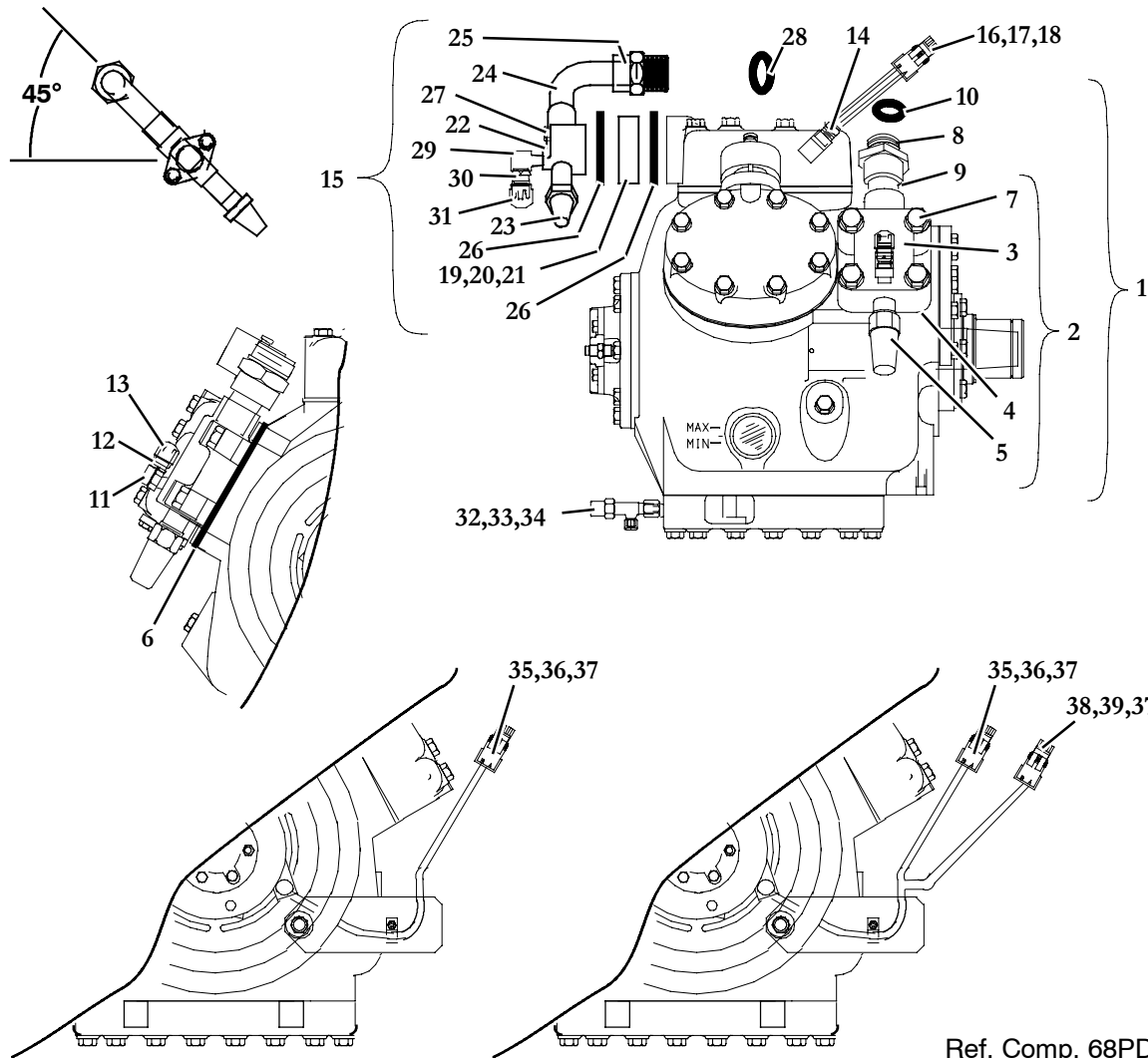
Item	Part Number	Description	Qty
1	68PD2-110-39	Valve Assembly, Suction, Service - Includes:	1
2	81-01599-00	Valve Assembly, Suction, With Tube & Bracket - Includes:	1
3	17-31062-00	Valve, Suction, Service, 1-3/8 ODF	1
4	56-07645-00	Tube, Bent, 1-1/8 OD x .065W Steel	1
5	DE07DA612	Adapter, 1-1/8 ODS x 1-1/4 Male 37 Degree JIC Flare	1
6	68-13383-00	Bracket, Tube SupPort	1
7	17-40005-05	Gasket, Suction Service Valve (Valve To Compressor)	1
8	17-13020-00	Bolt, Hex Head, 1/2 - 13 x 2.50 Inches Long	4
9	KK71GW015	O-Ring, 1-5/16 x 1-1/2 x 3/32	2
10	17-44017-00	Stud, Hex Head, 3/8-16 x 3.25 x .87	2
11	34-00662-13	Washer, Plain, 3/8 Medium	4
12	AU11JR241	Washer, Lock, 3/8 Spring	2
13	34-00666-13	Nut, Hex, 3/8-16	2



12.4 Compressor Installation Components - 68RM50-101-16, -18, -21, -33, -35, -38, -41, -53, -55 (Continued)			
Item	Part Number	Description	Qty
14	40-00524-00	Elbow, 1/4 NPT x M13, Low Pressure Side	1
15	40-00520-00	Coupling, Service Port, M13, R-134a - Includes:	1
16	40-00520-02	Cap, Service Port	1
17	68PD2-110-87	Valve Assembly, Discharge, Service - Includes:	1
18	81-01600-00	Valve Assembly, Discharge, With Tube & Bracket - Includes:	1
19	14-01042-10	Valve, Discharge, Service, 7/8 ODF - Includes:	1
20	17-10812-00	Cap, Service Valve Stem, With "O" Ring, Plastic	1
21	DE07DA608	Adapter, 7/8 ODS x 1 Male 37 Degree JIC Flare	1
22	56-07646-00	Tube, Discharge, Bent, 7/8 OD x .049W, Steel	1
23	17-10811-05	Gasket, Discharge Service Valve (Valve To Compressor)	1
24	17-40012-00	Bolt, Hex Head, 5/16-18 x 2.00 Inches Long	2
25	42-00243-00	O-Ring, 0.921 ID x 0.139 Thick	2
26	40-00524-01	Elbow, 1/8 NPT x M15, High Pressure Side	1
27	40-00520-01	Coupling, Service Port, M15, R-134a - Includes:	1
28	40-00520-03	Cap, Service Port	1
29	12-00299-07	Switch, Pressure, High - 68RM50-101-16, 101-18 - Includes:	1
	12-00299-14	Switch, Pressure, High - 68RM50-101-21 - Includes:	
30	22-01585-00SK	Connector, Male, 2 Pin, Black	1
31	22-02393-00	Terminal, Male (14-16 AWG)	2
32	22-02394-01	Seal, Cable, Blue	2
33	22-01585-02	Connector (Clutch), Male, 2 Pin, Gray	1
34	22-02393-00	Terminal, Male (14-16 AWG)	2
35	22-02394-01	Seal, Cable, Blue	2



12.5 Compressor Installation Components - 68RM50-101-28, -29, -30, -31, -34, -36, -39, -40, -42, -43, -44, -45, -46, -47, -48, -49, -50, -51, -54, -56, -58, -60, -62, -65, -66, -67, -68, -69



Ref. Comp. 68PD541-124-31
68PD541-124-71

Item	Part Number	Description	Qty
1	68PD2-110-21	Valve Assembly, Suction, Service - Includes:	1
2	68PD1-293-3	Valve Assembly, Suction, With Tube And Fitting - Includes:	1
3	17-40002-01	Valve Package, Suction, Service - Includes:	1
4	NSS	Valve, Suction, Service, 1-3/8 ODF	1
5	17-10812-00	Cap, Service Valve Stem, With "O" Ring, Plastic	1
6	17-40005-05	Gasket, Suction Service Valve (Valve To Compressor)	1
7	17-13020-00	Bolt, Hex Head, 1/2-13 x 2.50 Inches Long	4
8	40-00491-04	Fitting, ORS, 1-3/8 x 2.00-12	1
9	68PD1-1082-2	Tube, Suction, 1-3/8 OD x .065W x 2.19 Inches Long, Steel	1
10	42-00243-02	O-Ring, 1.484 ID x 0.139 Thick	2
11	40-00524-00	Elbow, 1/4 NPT x M13, Low Pressure Side	1
12	40-00520-00	Coupling, Service Port, M13, R-134a - Includes:	1
13	40-00520-02	Cap, Service Port	1
14	12-00299-07	Switch, Pressure, High - Includes:	1

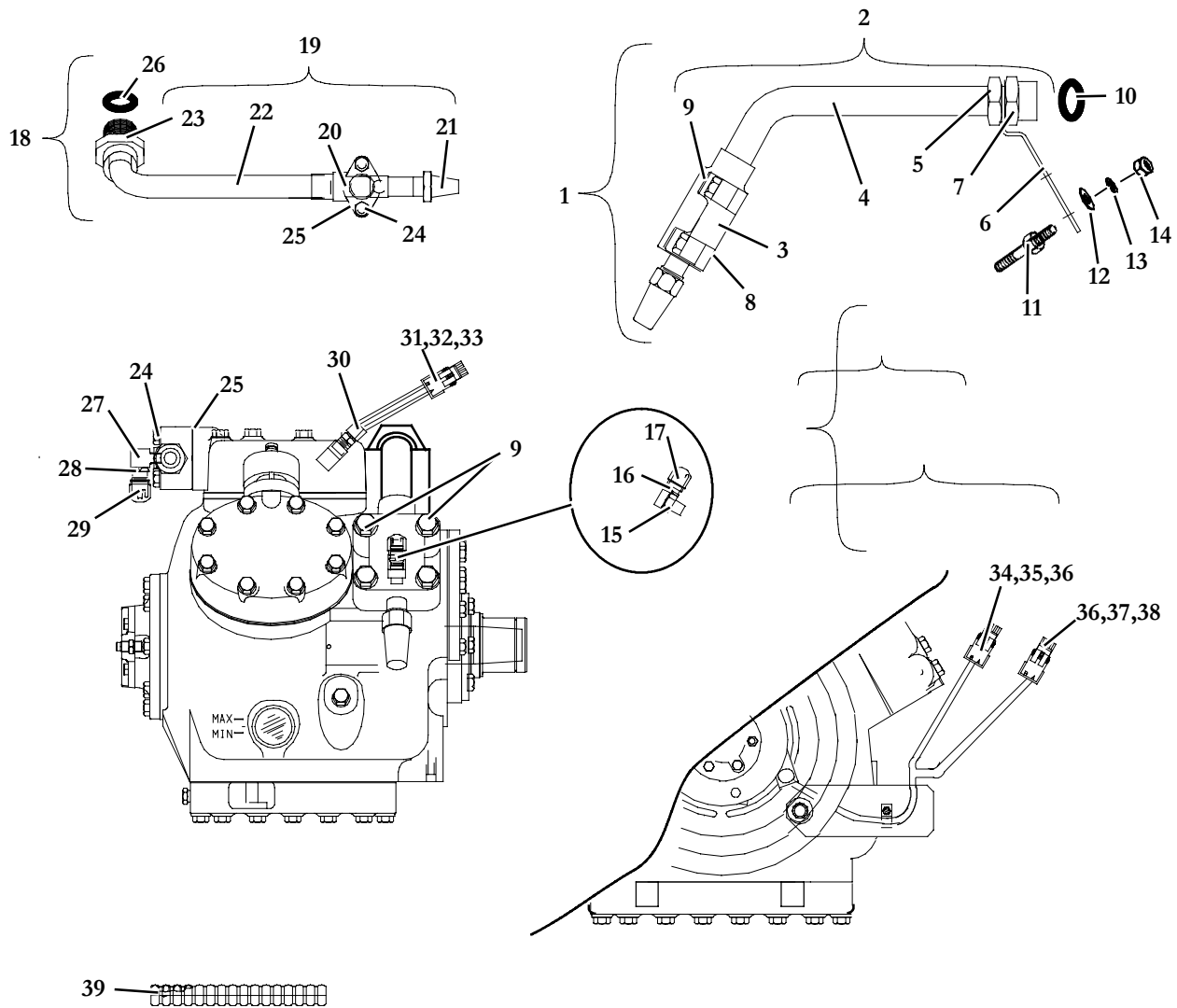


12.5 Compressor Installation Components - 68RM50-101-28, -29, -30, -31, -34, -36, -39, -40, -42, -43, -44, -45, -46, -47, -48, -49, -50, -51, -54, -56, -58, -60, -62, -65, -66, -67, -68, -69 (Continued)

Item	Part Number	Description	Qty
15	68PD2-110-77	Valve Assembly, Discharge, Service - Includes:	1
16	22-01585-00SK	Connector, Male, 2 Pin, Black	1
17	22-02393-00	Terminal, Male (14-16 AWG)	2
18	22-02394-01	Seal, Cable, Blue	2
19	48-00355-00	Adapter	1
20	34-00503-16	Screw, Cap, Sink Head, 5/16-18 x 1.00 Inch Long	2
21	58-00511-21	Washer, Nylon	2
22	14-01042-10	Valve, Discharge, Service, 7/8 ODF - Includes:	1
23	17-10812-00	Cap, Service Valve Stem, With "O" Ring, Plastic	1
24	68PD1-1022	Tube, Bent, 7/8 OD x .049W Steel	1
25	40-00491-00	Fitting, ORS, 7/8 x 1 7/16-12	1
26	17-10811-05	Gasket, Discharge Service Valve (Valve To Compressor)	2
27	17-40012-00	Bolt, Hex Head, 5/16-18 x 2.00 Inches Long	2
28	42-00243-00	O-Ring, 0.921 ID x 0.139 Thick	2
29	40-00524-01	Elbow, 1/8 NPT x M15, High Pressure Side	1
30	40-00520-01	Coupling, Service Port, M15, R-134a - Includes:	1
31	40-00520-03	Cap, Service Port	1
32	EP23LC090	Valve, Angle, 1/4 NPT x 1/4 SAE Flare	1
33	40-00528-01	Connector, 1/4 FPT x 7/16-20, Steel	1
34	42-00243-07	O-Ring, 0.351 ID x 0.072 Thick	2
35	22-01585-02	Connector (Clutch), Male, 2 Pin, Gray	1
36	22-02393-00	Terminal, Male (14-16 AWG)	2
37	22-02394-01	Seal, Cable, Blue	4
38	22-01585-00SK	Connector (Clutch), Male, 2 Pin, Gray (101-36 only)	1
39	22-01566-00	Terminal, Female (14-16 AWG) (101-36 only)	2



12.6 Compressor Installation Components - 68RM50-101-57, -59, -63, -64



Ref. Comp. 68PD541-104-80

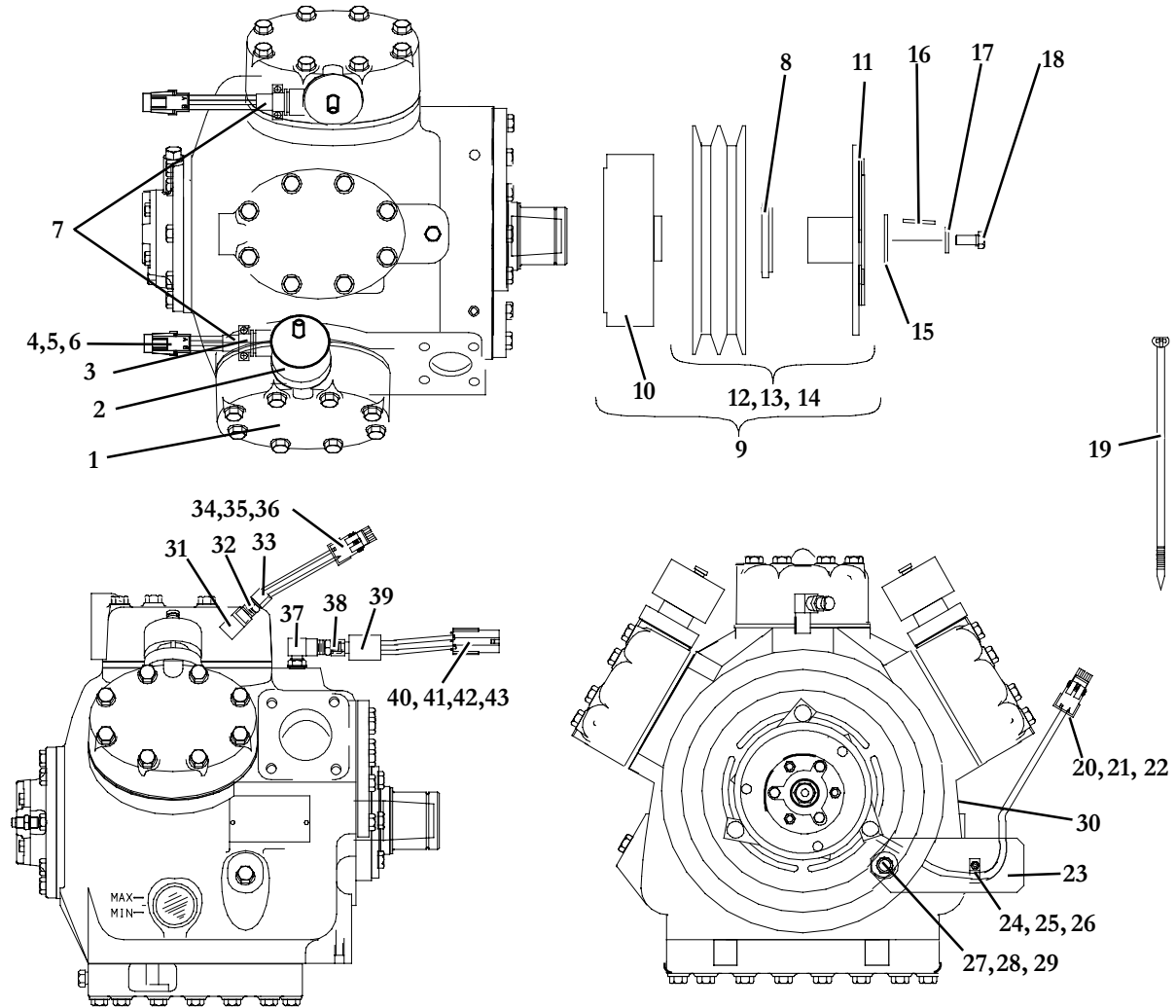
Item	Part Number	Description	Qty
1	68PD2-110-47	Valve Assembly, Suction, Service - Includes:	1
2	81-01599-01	Valve Assembly, Suction, With Tube & Bracket - Includes:	1
3	17-31062-00	Valve, Suction, Service, 1-3/8 ODF	1
4	56-07645-00	Tube, Bent, 1-1/8 OD x .065W Steel	1
5	40-00491-01	Fitting, ORS, 1.125 ODF x 1-11/16-12	1
6	68-08161-00	Bracket, Tube Support	1
7	34-06088-01	Nut, Hex, ORS, 1-5/8-12	1
8	17-40005-05	Gasket, Suction Service Valve (Valve To Compressor)	1
9	17-13020-00	Bolt, Hex Head, 1/2 - 13 x 2.50 Inches Long	4
10	42-00243-01	O-Ring, 1.17 ID x 0.139 Thick	2
11	17-44017-00	Stud, Hex Head, 3/8-16 x 3.25 x .87	2
12	34-00662-13	Washer, Plain, 3/8 Medium	4
13	AU11JR241	Washer, Lock, 3/8 Spring	2
14	34-00666-13	Nut, Hex, 3/8-16	2



12.6 Compressor Installation Components - 68RM50-101-57, -59, -63, -64 (Continued)			
Item	Part Number	Description	Qty
15	40-00524-00	Elbow, 1/4 NPT x M13, Low Pressure Side	1
16	40-00520-00	Coupling, Service Port, M13, R-134a - Includes:	1
17	40-00520-02	Cap, Service Port	1
18	68PD2-110-98	Valve Assembly, Discharge, Service - Includes:	1
19	81-01600-01	Valve Assembly, Discharge - Includes:	1
20	14-01042-10	Valve, Discharge, Service, 7/8 ODF - Includes:	1
21	17-10812-00	Cap, Service Valve Stem, With "O" Ring, Plastic	1
22	56-07646-00	Tube, Bent, 7/8 OD x .049W, Steel	1
23	40-00491-00	Fitting, ORS, 7/8 ODF x 1-7/16	1
24	17-10811-05	Gasket, Discharge Service Valve (Valve To Compressor)	1
25	17-40012-00	Bolt, Hex Head, 5/16-18 x 2.00 Inches Long	2
26	42-00243-01	O-Ring, 1.17 ID x 0.139 Thick	2
27	40-00524-01	Elbow, 1/8 NPT x M15, High Pressure Side	1
28	40-00520-01	Coupling, Service Port, M15, R-134a - Includes:	1
29	40-00520-03	Cap, Service Port	1
30	12-00299-07	Switch, Pressure, High - Includes:	1
31	22-01585-00SK	Connector, Male, 2 Pin, Black	1
32	22-02393-00	Terminal, Male (14-16 AWG)	2
33	22-02394-01	Seal, Cable, Blue	2
34	22-01585-02	Connector (Clutch), Male, 2 Pin, Gray	1
35	22-02393-00	Terminal, Male (14-16 AWG)	2
36	22-02394-01	Seal, Cable, Blue	4
37	22-01585-00SK	Connector (Clutch), Male, 2 Pin, Black	1
38	22-01566-00	Terminal, Female (14-16 AWG)	2
39	58-00858-00	Tubing, Split, Corrugated, 1/4 Inch ID x 25 Feet Long	1



12.7 Compressor Installation Components - R-22 Systems



Ref. Comp. 68PD537-104-68

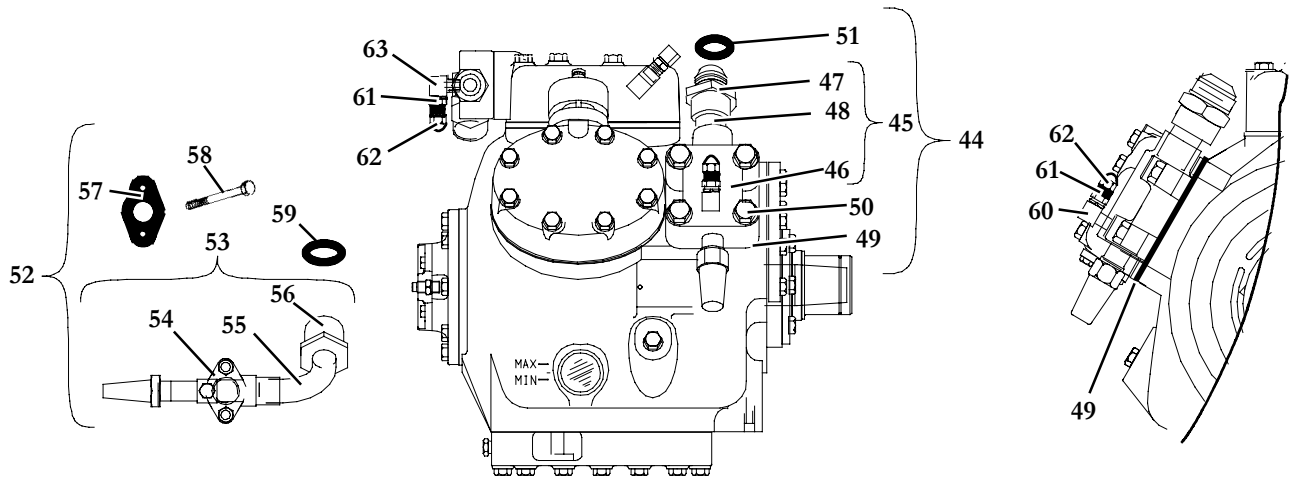
Item	Part Number	Description	Qty
1	18-00059-169	Compressor Assembly, 05G Service (Remanufactured, 37 CFM, R-22)	1
	18-00091-150	Compressor Assembly, 05G Service (New, Twin Port, 37 CFM)	
2	22-02804-02	Coil, Solenoid, Compressor Unloader, 24 VDC	2
3	69ND35-1781	Connector, Straight, 2-Screw	2
4	66NS0801CD0020	Sleeve, 0.50 ID x .062W x 2.00 Inches Long	2
5	22-02392-01	Connector, 2 Pin, Medium Gray	2
6	22-02393-01	Terminal, Male (18-20 AWG)	4
7	22-02394-00	Seal, Cable, Gray	4
8	34-06083-00	Nut, Lock, Clutch, Special	1
9	50-01122-14	Clutch Assembly, 24 VDC (Less Lock Nut Item 8) - Includes:	1
10	50-01122-50	Coil, Clutch, 24 VDC	1
11	NSS	Armature Assembly	1
12	50-01122-93	Rotor And Armature Assy. (2-5V Groove AT 10.50 Inch OD) - Includes:	1
13	04-00130-00	Bearing	1



12.7 Compressor Installation Components - R-22 Systems (Continued)			
Item	Part Number	Description	Qty
14	34-01186-00	Ring, Retainer	1
15	68G2-9082	Washer, Special, 7/16 ID	1
16	68G2-9072	Key, Crankshaft, Special	1
17	AU11AR241	Washer, Lock, 3/8 Spring	1
18	34-00613-10	Screw, Hex Head Cap, 3/8-24 x 1.25. SAE Grade 8, Zinc Plated	1
19	66U1-3882	Wire Tie, Self-Locking, 7 Inches	1
20	22-02393-00	Terminal, Male (14-16 AWG)	2
21	22-02394-01	Seal, Cable, Blue	2
22	22-01585-02	Connector, Male, 2 Pin, Gray	1
23	68PD1-1202	Bracket, Clutch Wire Support	1
24	34-00373-51	Clamp, Tube, 0.25 Inch Diameter, Cushioned	1
25	34-00827-10	Screw, Machine, Slotted, #8-32 x 0.625	1
26	AT31AB101	Nut, Hex, KEPS, #8-32	1
27	17-40037-05	Screw, Hex Head Cap, 3/8-16 x 1.00 Long	1
28	AU02AB242	Washer, Plain, 3/8 SAE	1
29	34-00372-13	Washer, Lock, 3/8, External Tooth	1
30	62-03797-00	Label, Charge Only With R-22	1
31	14-01093-00	Snubber Assembly, 90 Degree, 1/4 MPT x 1/4 FPT	1
32	06DA403844	Valve Assembly, Schrader, 1/4 Male Flare	2
33	12-00299-00	Switch, Pressure, High - Includes:	1
34	22-01585-00SK	Connector, Male, 2 Pin, Black	1
35	22-02393-00	Terminal, Male (14-16 AWG)	2
36	22-02394-01	Seal, Cable, Blue	2
37	40-01166-01	Elbow, Adapter, 1/4 FPT x 7/16 UNC	1
38	06DA403844	Valve Assembly, Schrader, 1/4 Male Flare	1
39	12-00299-01	Switch, Pressure, Low - Includes:	1
40	22-02392-00SV	Connector Kit, 2 Pin - Includes:	1
41	NSS	Connector, Male, 2 Pin, Black	1
42	22-02393-00	Terminal, Male (14-16 AWG)	2
43	22-02394-01	Seal, Cable, Blue	2



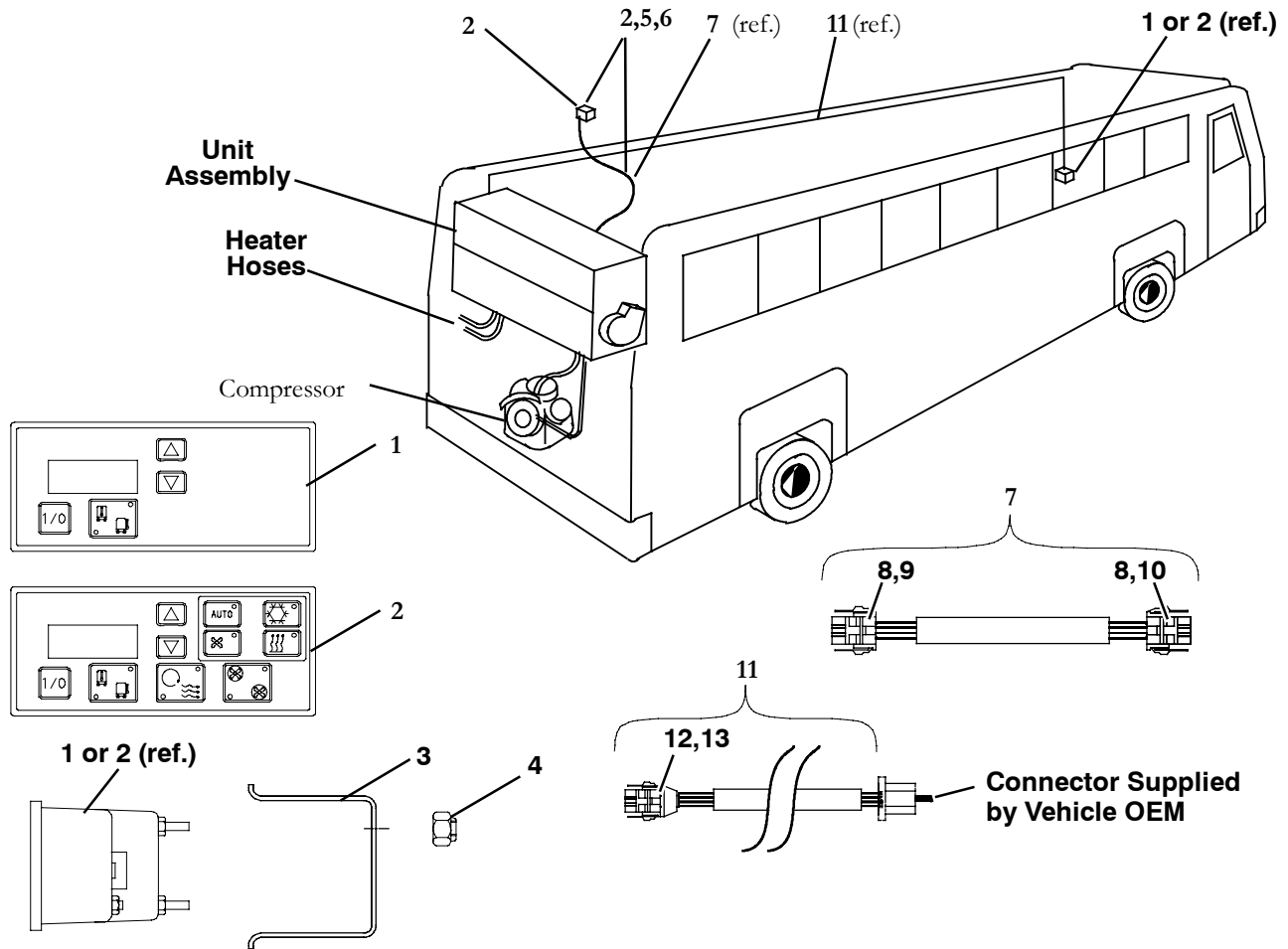
12.7 Compressor Installation Components - R-22 Systems (Continued)



Item	Part Number	Description	Qty
44	68PD2-110-4	Valve Assembly, Suction, Service - Includes:	1
45	68PD1-293-1	Valve Assembly, Suction, With Tube & Fitting - Includes:	1
46	17-31062-00	Valve, Suction, Service, 1-1/8 ODF	1
47	DE07DA612	Adapter, 1-1/8 ODS x 1-1/4 Male 37 Degree JIC Flare	1
48	68PD1-1082	Tube, Suction, Straight, 1-1/8 OD x .065W x 2 Inches Long, Steel	1
49	17-40005-05	Gasket, Suction Service Valve (Valve To Compressor)	1
50	17-13020-00	Bolt, Hex Head, 1/2 - 13 x 2.50 Inches Long	4
51	42-00243-02	O-Ring, 1-3/16 x 1-5/16 x 1/16	2
52	68PD2-110-56	Valve Assembly, Discharge, Service - Includes:	1
53	68PD1-333-1	Valve Assembly, Discharge, With Tube And Fitting - Includes:	1
54	14-01042-10	Valve, Discharge, Service, 7/8 ODF	1
55	68PD1-1092	Tube, Bent, 7/8 OD x .049W Steel	1
56	DE07DA608	Adapter, 7/8 ODS x 1 Male 37 Degree JIC Flare	1
57	17-10811-05	Gasket, Discharge Service Valve (Valve To Compressor)	1
58	AA06BZ205	Bolt, Hex Head, 5/16 - 18 x 2 Inches Long	4
59	42-00243-00	O-Ring, 0.921 ID x 0.139 Thick	2
60	40-00060-02	Elbow, Street, 1/4 FPT x 1/4MPT	1
61	06DA403844	Valve Assembly, Schrader, 1/4 Male Flare	2
62	40-00086-04	Cap, Nut, 1/4 FFL	2
63	40-00060-08	Elbow, Street, 1/4 FPT x 1/8MPT	1



13 MICROMATE CONTROL PANEL



Item	Part Number	Description	Qty
1	12-00580-00	Module, Drivers Display (Micromate Control Panel)	1
2	12-00391-03	Module, Drivers Display (Micromate Control Panel - Full Function)	1
3	68-62125-00	Clamp, Retaining, Driver's Display, Painted	2
4	34-00667-57	Nut, Hex, Self-Locking, #6-32, SST	2
5	CM090-226	Kit, Microprocessor Diagnostic Service Tool With Harness - Includes:	1
2	12-00391-03	Module, Drivers Display (Micromate Control Panel) (Full Function)	1
6	CM201-968	Harness, Display Module, 70 Inches (One End Uses Deutsch Connector)	1
7	22-62032-00	Harness, Display Module, 35 Inches (Used With Micromate As A Diagnostic Tool, Connects To J2 Port On Controller Logic Module) - Includes:	1
	22-62063-00	Harness, Display Module, 120 Inches (Used With Micromate As A Diagnostic Tool, Connects To J2 Port On Controller Logic Module) - Includes:	
8	22-62026-00	Connector, 6 Position, Red (MCP)	1
9	22-50145-00	Connector, 4 Position(J2)	1
10	22-50152-00	Terminal, Female Receptacle (16-26 AWG)	8
11	22-62062-00	Harness, A/C Control, 58 Feet Long (Installed By Vehicle Manufacturer) - Includes:	1
12	22-62026-00	Connector, 6 Position, RED (MCP)	1
13	22-50152-00	Terminal, Female Receptacle (16-26 AWG)	4



INDEX

PART NUMBER	PAGE NUMBER	PART NUMBER	PAGE NUMBER
0			
02-00010-00	113	12-00352-00	3, 5, 7, 9, 11, 13, 18, 21, 24, 26, 29, 30, 33, 36, 39, 42, 45, 48, 50, 53, 56, 59, 62, 65
02-00010-01	117	12-00371-01	68, 71, 74, 77, 80, 83, 86, 89, 92, 95, 99, 102, 105
04-00130-00	153, 165	12-00391-03	5, 13, 18, 21, 23, 26, 31, 35, 38, 41, 44, 47, 52, 55, 58, 75, 77, 168
06DA403844	154, 166, 167	12-00392-15	68, 71, 74, 77, 80, 83, 86, 89, 92, 95, 99, 102, 105
08-62009-00	108, 109	12-00392-16	80, 95
08-62009-01	109	12-00495-02SV	2, 4, 6, 8, 10, 13, 16, 19, 22, 25, 29, 31, 34, 37, 40, 43, 46, 49, 51, 55, 57, 61, 63, 66, 70, 73, 76, 79, 82, 85, 87, 91, 93, 97, 101, 104, 106
08-62042-00	109		
08-62042-01	109		
1			
10-00247-03	69, 71, 75, 79, 80, 84, 87, 90, 92, 96, 100, 103, 106	12-00523-00	97
10-00247-05	80, 83, 86, 89, 95, 99, 102, . 105	12-00580-00	168
10-00286-09	68, 72, 74, 77, 81, 84, 87, 90, 93, 96, 100, 103, 106	14-00111-00	113, 117
10-00286-11	68, 71, 74, 77, 80, 83, 86, 89, 92, 95, 99, 102, 105	14-00194-00	140, 142, 144
10-00286-12	68, 71, 74, 77, 80, 83, 86, 89, 92, 95, 99, 102, 105	14-00236-00	113, 117
10-00300-02	69, 72, 75, 78, 81, 84, 87, 90, 93, 96, 100, 103, 106	14-00236-50	113, 117
10-00307-01	69, 71, 75, 79, 92	14-00236-51	113, 117
10-00309-00	85, 100, 106	14-00281-04	113, 114, 115, 119, 121, 123, 125, 127, 129, 132, 136
10-00312-00	79, 87, 103	14-00320-00	132
10-00314-00	85, 88, 100, 106	14-00351-00	113, 114, 115, 119, 121, 123, 125, 127, 129, 132, 134, 136
10-00315-00	5, 11, 13, 16, 21, 23, 26, 29, 31, 35, 38, 40, 43, 47, 49, 52, 55, 57, 61, 64, 67	14-01032-01	113, 117
12-00299-00	166	14-01042-10	156, 158, 160, 162, 164, 167
12-00299-01	154, 166	14-01093-00	154, 166
12-00299-07	155, 157, 160, 161, 164	14-01104-35	117
12-00299-14	160	14-01104-52	111
		14-01110-02	140, 142, 144
		14-50036-00	140, 142, 144
		14-50050-00	113, 114
		14-50050-01	113, 114, 115, 119, 121, 123, 125, 127, 129, 132, 136
		14-50051-00	115



INDEX

PART NUMBER	PAGE NUMBER	PART NUMBER	PAGE NUMBER
14-50093-00	113, 114, 115	22-01585-02	3, 5, 7, 9, 11, 13, 16, 21, 23, 26, 29, 30, 34, 36, 39, 42, 45, 48, 50, 53, 56, 59, 62, 65, 156, 158, 160, 162, 164, 166
16-03301-00	113, 114, 115	22-01585-03	3, 5, 7, 9, 11, 13, 16, 21, 23, 26, 31, 40, 61, 63, 66
17-10811-05	156, 158, 160, 162, 164, 167	22-01585-04	3, 11, 16, 29, 35, 47, 49, 51
17-10812-00	155, 156, 157, 158, 160, 161, 162, 164	22-01594-00	69, 72, 75, 78, 81, 84, 87, 90, 93, 96, 100, 103, 106
17-13020-00	155, 157, 159, 161, 163, 167	22-01612-00	72, 75, 79, 81, 84, 87, 90, 93, 96, 100, 103, 106
17-31062-00	159, 163, 167	22-01613-14	70
17-40002-01	155, 157, 161	22-01660-03	70
17-40005-05	155, 157, 159, 161, 163, 167	22-02126-02	11, 16, 23, 34, 40, 46, 51, 66, 148, 150, 152
17-40012-00	156, 158, 162	22-02126-03	11, 16, 23, 34, 40, 46, 51, 66, 148, 150, 152
17-40037-05	154, 166	22-02301-03	3, 5, 7, 9, 11, 13, 16, 20, 23, 26, 29, 31, 34, 37, 40, 43, 46, 49, 51, 54, 57, 60, 63, 66
17-44012-00	160, 164	22-02302-02	3, 5, 7, 9, 11, 13, 16, 21, 23, 26, 29, 31, 34, 37, 40, 43, 46, 49, 51, 54, 57, 60, 63, 66
17-44017-00	159, 163	22-02302-03	3, 5, 7, 9, 11, 13, 16, 20, 23, 26, 29, 31, 34, 37, 40, 43, 46, 49, 51, 54, 57, 60, 63, 66
17-44062-00	153	22-02336-04	68, 71, 74, 77, 80, 83, 86, 89, 92, 95, 97, 99, 101, 102, 105
18-00059-169	165	22-02336-06	68, 71, 74, 77, 80, 83, 86, 89, 92, 95, 99, 102, 105
18-00091-150	165	22-02336-25	97, 101
18-00091-160	153	22-02338-02	68, 74, 77, 97, 101
		22-02338-03	97, 101
		22-02392-00	166
		22-02392-00SV	3, 5, 7, 9, 11, 13, 16, 21, 23, 26, 29, 30, 34, 36, 39, 42, 45, 48, 50, 53, 56, 59, 62, 65, 73, 81, 82, 85, 88, 91, 94, 97, 98, 101, 104, 107, 154, 166
2			
22-00121-27	73, 85, 88, 93, 101		
22-00872-01	21, 37, 55, 63		
22-01449-00	68, 71, 74, 77, 80, 83, 86, 89, 92, 95, 99, 102, 105		
22-01563-05	69, 72, 75, 79, 81, 84, 87, 90, 93, 96, 100, 103, 106		
22-01565-01	3, 5, 7, 9, 11, 21, 23, 26, 32, 37, 40, 43, 54, 61, 63		
22-01566-00	3, 7, 9, 76, 162, 164		
22-01566-01	10, 15, 28, 35, 47, 49, 61, 64, 66, 73, 81, 82, 85, 88, 91, 94, 97, 98, 101, 104, 107		
22-01584-00	21, 37, 55, 63		
22-01585-00SK	3, 5, 7, 9, 11, 13, 16, 20, 23, 26, 29, 30, 34, 36, 39, 42, 45, 48, 50, 53, 56, 59, 62, 65, 155, 158, 160, 162, 164, 166		



INDEX

PART NUMBER	PAGE NUMBER	PART NUMBER	PAGE NUMBER
22-02392-01	3, 5, 7, 9, 11, 13, 16, 21, 23, 26, 29, 30, 34, 36, 39, 42, 45, 48, 50, 53, 56, 59, 62, 65, 153, 165	22-50099-01	43, 46, 49
22-02392-02	3, 5, 7, 9, 11, 21, 23, 26, 29, 32, 37, 40, 43, 54, 63, 66	22-50099-09	34, 37, 51, 57
22-02393-00	13, 16, 23, 26, 29, 31, 34, 37, 40, 43, 46, 49, 51, 54, 57, 60, 63, 66, 76, 154, 156, 158, 160, 162, 164, 166	22-50100-00	3, 5, 7, 9, 11, 14, 16, 18, 21, 24, 27, 29, 30, 33, 36, 39, 42, 45, 48, 50, 53, 56, 59, 62, 65
22-02393-01	2, 3, 4, 5, 6, 7, 8, 9, 10, 11, 13, 16, 20, 21, 23, 26, 29, 30, 31, 34, 36, 37, 39, 40, 42, 43, 45, 46, 48, 49, 50, 51, 53, 55, 56, 57, 59, 61, 62, 63, 65, 66, 70, 73, 79, 81, 82, 85, 88, 91, 94, 97, 98, 101, 104, 107, 153, 165	22-50122-05	70, 82, 91, 97, 100
22-02394-00	2, 3, 4, 6, 7, 8, 9, 10, 13, 16, 20, 21, 22, 23, 25, 26, 29, 31, 34, 37, 40, 43, 46, 49, 51, 54, 55, 57, 60, 61, 63, 66, 153, 165	22-50122-15	82, 91, 97
22-02394-01	3, 5, 7, 9, 11, 13, 16, 23, 26, 9, 30, 34, 36, 39, 42, 46, 48, 50, 53, 56, 59, 62, 65, 73, 81, 82, 85, 88, 91, 94, 97, 98, 101, 104, 107, 154, 156, 158, 160, 162, 164, 166	22-50134-00	70, 73, 76, 79, 82, 85, 87, 91, 93, 97, 100, 103, 106
22-02448-00SV	3, 5, 7, 9, 11, 13, 18, 21, 24, 27, 29, 30, 33, 36, 39, 42, 45, 48, 50, 53, 56, 59, 62, 65	22-50135-00	70, 73, 76, 79, 82, 85, 87, 91, 93, 94, 97, 98, 100, 101, 103, 104, 106, 107
22-02804-02	153, 165	22-50136-00	70, 73, 76, 79, 81, 82, 85, 88, 91, 94, 97, 98, 101, 104, 107
22-02854-00	91, 94	22-50137-00	70, 73, 76, 79, 81, 82, 85, 88, 91, 94, 97, 98, 101, 104, 107
22-02863-00	94, 98, 101, 104	22-50138-00	70, 73, 76, 79, 81, 82, 85, 88, 91, 94, 97, 98, 101, 104, 107
22-02864-00	94, 98, 101	22-50143-00	70, 73, 76, 79, 81, 82, 85, 88, 91, 94, 97, 98, 101, 104, 106
22-02875-00	106	22-50144-00	70, 73, 76, 79, 81, 85, 87, 91, 93, 97, 100, 103, 106
22-02894-00	97	22-50145-00	4, 10, 12, 15, 19, 22, 25, 28, 31, 35, 37, 40, 43, 46, 49, 51, 55, 57, 61, 63, 66, 70, 76, 79, 168
22-02901-00	100	22-50146-00	70, 73, 76, 79, 81, 82, 85, 88, 91, 94, 97, 98, 101, 104, 106
22-50078-55	67	22-50148-00	70, 73, 76, 79, 81, 82, 85, 87, 88, 91, 93, 94, 97, 98, 100, 101, 103, 104, 106, 107
22-50099-00	61, 64, 67	22-50152-00	4, 10, 12, 15, 19, 22, 25, 28, 31, 35, 37, 40, 43, 46, 47, 49, 51, 55, 57, 61, 63, 66, 70, 73, 76, 79, 81, 82, 85, 87, 88, 91, 93, 94, 97, 98, 100, 101, 103, 104, 106, 168
		22-50153-00	70, 73, 76, 79, 81, 85, 87, 91, 93, 97, 100, 103, 106
		22-50236-00	68, 71, 74, 77, 80, 83, 86, 89, 92, 95, 99, 102, 105
		22-50275-00	70, 73, 76, 79, 82, 85, 87, 91, 93, 97, 100, 103, 106



INDEX

PART NUMBER	PAGE NUMBER	PART NUMBER	PAGE NUMBER
22-50285-00	10, 15, 28, 35, 47, 49, 61, 63, 66	34-00372-12	154, 166
22-50346-00	97, 100	34-00373-03	3, 5, 6, 9, 11, 13, 16, 20, 23, 26, 28, 31, 34, 37, 40, 43, 46, 49, 51, 55, 57, 61, 63, 66
22-50347-00	82, 91, 97, 100, 107	34-00373-05	2, 6, 8
22-50359-00	97, 101	34-00373-07	111, 119, 121, 123, 125, 127, 129, 132, 136
22-62017-00	5, 11, 13, 16, 21, 23, 26, 29, 35, 38, 43, 47, 49, 52, 57	34-00373-13	3, 5, 7, 9, 11, 13, 16, 20, 23, 26, 29, 31, 34, 37, 40, 43, 46, 49, 51, 55, 57, 61, 63, 66
22-62018-00	5, 11, 13, 17, 21, 26, 43	34-00373-51	154, 166
22-62018-01	13, 17, 21, 26, 29, 35, 38, 47, 49, 52, 57	34-00503-16	162
22-62026-00	4, 12, 15, 19, 22, 25, 31, 37, 40, 43, 46, 51, 55, 57, 76, 79, 168	34-00613-10	154, 166
22-62032-00	168	34-00655-06	2, 6, 10, 12, 15, 19, 22, 28, 31, 34, 37, 40, 43, 46, 49, 51, 55, 57, 61, 63, 66, 75, 78, 108, 109, 111, 117, 119, 121, 123, 125, 127, 129, 132, 136, 141, 143, 146, 147
22-62062-00	168	34-00655-08	8, 69, 72, 75, 78, 81, 84, 87, 90, 93, 96, 100, 103, 106
22-62063-00	4, 12, 15, 19, 22, 25, 31, 37, 40, 43, 46, 51, 55, 57, 168	34-00662-07	3, 7, 9, 21, 37, 55, 63, 143
22-62065-00	70	34-00662-08	3, 5, 6, 9, 13, 16, 20, 23, 26, 28, 31, 34, 37, 40, 43, 46, 49, 51, 55, 57, 61, 63, 66, 68, 72, 74, 77, 81, 84, 87, 90, 93, 96, 100, 103, 106
22-62073-00	79	34-00662-11	2, 4, 6, 8, 10, 12, 15, 19, 22, 25, 28, 31, 34, 37, 40, 43, 46, 49, 51, 55, 57, 61, 63, 66, 32, 138, 139, 141, 144
22-62074-00	79	34-00662-12	132, 149, 151
22-62076-00	73, 85, 87, 93, 100, 103, 106	34-00662-13	159, 163
22-62077-00	81, 91, 97	34-00662-18	140, 142, 144
22-62078-00	85, 101, 107	34-00663-08	3, 5, 6, 9, 11, 13, 16, 20, 23, 26, 29, 31, 34, 37, 40, 43, 46, 49, 51, 55, 57, 61, 63, 66, 68, 72, 74, 77, 81, 84, 87, 90, 93, 96, 100, 103, 106, 113, 117
22-62079-00	73, 88, 94, 104	34-00663-09	69, 75, 78
22-62080-00	82, 91, 97		
22-62082-00	73, 81, 85		
22-62084-00	73, 81		
22-62089-00	10, 15, 28, 35, 46, 49, 61, 63, 66		
22-62150-00	73, 81, 85, 88		
22-62191-00	87, 103		
22-62313-00	97		
3			
34-00360-09	68, 71, 74, 77, 80, 83, 86, 89, 92, 95, 99, 102, 105		



INDEX

PART NUMBER	PAGE NUMBER	PART NUMBER	PAGE NUMBER
34-00663-11	2, 4, 6, 8, 10, 12, 15, 19, 22, 25, 28, 31, 34, 37, 40, 43, 46, 49, 51, 55, 57, 61, 63, 66, 69, 72, 75, 78, 81, 84, 87, 90, 93, 96, 100, 103, 106, 108, 109, 111, 117, 119, 121, 123, 125, 127, 129, 132, 136, 138, 139, 141, 144, 145, 146, 147, 149, 151	34-01305-00	69
34-00663-12	108, 111, 119, 121, 122, 124, 126, 128, 132, 135, 147, 149, 151	34-01305-03	138, 139, 141, 143
34-00663-13	113, 117, 123, 125, 127, 129, 132, 136, 147, 148	34-06083-00	153, 165
34-00665-06	4, 25, 111, 138, 139, 145, 149, 151	34-06088-00	115, 129, 132, 136
34-00665-08	138	34-06088-01	136, 163
34-00665-14	140, 142, 144	34-06088-02	129
34-00666-11	113, 149, 151	34-06088-04	134
34-00666-13	159, 163	34-06088-06	134
34-00667-07	5, 13, 18, 21, 23, 26, 31, 35, 38, 44, 47, 52, 55, 58, 69, 75, 78, 138, 139, 141, 143	34-06095-01	3, 5, 7, 9, 11, 13, 16, 21, 23, 26, 29, 31, 34, 37, 40, 43, 46, 49, 51, 54, 57, 60, 63, 66
34-00667-09	69, 71, 75, 79, 80, 83, 86, 89, 92, 95, 99, 102, 105	34-06121-03	111, 119, 121, 122, 124, 126, 128, 132, 135
34-00667-11	117, 150, 152	34-06121-04	111, 119, 121, 122, 125, 127, 128, 132, 135
34-00667-57	41, 168	34-06121-08	113, 117
34-00672-00	147, 149, 151	34-06169-01	41
34-00792-06	108, 148	34-06177-01	41
34-00792-08	147, 149, 151	34-06178-00	41
34-00799-04	111, 118, 120, 122, 124, 126, 128, 132, 135	34-06179-02	69, 75, 79
34-00807-08	113, 117, 147, 148	34-06212-06	139, 141
34-00827-10	154, 166	34-06212-10	69, 71, 75, 78, 80, 83, 86, 89, 92, 95, 99, 102, 105
34-00855-04	123, 125, 127, 129, 132, 136	34-06212-12	69, 71, 75, 78, 80, 83, 86, 89, 92, 95, 99, 102, 105, 108, 109, 111, 117, 119, 121, 123, 125, 127, 129, 136, 145, 146, 147, 149, 151
34-00938-13	3, 5, 7, 9, 11, 13, 16, 21, 23, 26, 29, 31, 34, 37, 40, 43, 46, 49, 51, 55, 57, 61, 63, 66	34-06212-13	108, 111, 118, 120, 122, 124, 126, 128, 135
34-01186-00	153, 166	34-06212-14	113, 117, 123, 125, 127, 129, 132, 136, 147, 148
		34-06212-15	140, 142, 144
		34-06264-03	113, 117
		34-06264-04	3, 5, 6, 9, 11, 13, 16, 20, 23, 26, 28, 31, 34, 37, 40, 43, 46, 49, 51, 55, 57, 61, 63, 66, 68, 72, 74, 77, 81, 84, 87, 90, 93, 96, 100, 103, 106



INDEX

PART NUMBER	PAGE NUMBER	PART NUMBER	PAGE NUMBER
34-06264-06	72, 81, 84, 87, 90, 93, 96, 100, 103, 106	40-00491-19	134
34-50048-00	3, 7, 9, 21, 37, 55, 63	40-00501-05	119, 121, 123, 125, 127, 129, 131, 136
34-60019-04	134	40-00501-06	111
34-62000-00	68, 71, 74, 77, 80, 83, 86, 89, 92, 95, 99, 102, 105	40-00501-07	123, 125, 127, 129, 132, 136
34-62000-01	68, 71, 74, 77, 80, 83, 86, 89, 92, 95, 99, 102, 105	40-00501-50	111, 119, 121, 123, 125, 127, 129, 132, 136
34-62001-00	5, 11, 13, 18, 21, 23, 26, 29, 31, 35, 38, 41, 43, 47, 49, 52, 55, 57, 61, 64, 67	40-00503-03	111, 119, 121, 122, 124, 126, 128, 132, 135
34-62011-00	109	40-00503-04	111, 119, 121, 122, 124, 126, 128, 132, 135
34-62055-00	71, 80, 83, 86, 89, 92, 95, 99, 102, 105	40-00520-00	155, 157, 160, 161, 164
34-62055-06	69	40-00520-01	156, 158, 160, 162, 164
34-62064-08	3, 7	40-00520-02	155, 157, 160, 161, 164
38-00512-00	149, 151	40-00520-03	156, 158, 160, 162, 164
38-00512-01	149, 151	40-00524-00	155, 157, 160, 161, 164
38-00516-00	147	40-00524-01	156, 158, 160, 162, 164
38-00547-01	137	40-00528-01	156, 158, 162
38-00547-02	137	40-00541-02	138, 139, 141, 143
38-00571-00	150, 152	40-01124-00	113, 114, 115, 119, 121, 123, 125, 127, 129, 132, 134, 136
38-00571-01	150, 152	40-01166-01	154, 166
4			
40-00060-02	167	40-60060-06	134
40-00060-03	113, 117	40-60061-06	134
40-00060-08	167	40-62028-00	132
40-00071-46	113, 114	40-62032-02	132
40-00071-68	115	42-00032-00	113, 117
40-00086-04	167	42-00243-00	111, 117, 156, 158, 160, 162, 167
40-00201-15	113	42-00243-01	163, 164
40-00491-00	115, 129, 132, 136, 162, 164	42-00243-02	111, 117, 161, 167
40-00491-01	163	42-00243-03	111, 119, 121, 123, 125, 127, 129, 132, 134, 136
40-00491-04	115, 129, 134, 161	42-00243-07	156, 158, 162
40-00491-06	136	42-00243-11	111, 119, 121, 123, 125, 127, 129, 132, 136
		42-01232-00	146
		42-62005-00	68, 71, 74, 77, 80, 83, 86, 89, 92, 95, 99, 102, 105



INDEX

PART NUMBER	PAGE NUMBER	PART NUMBER	PAGE NUMBER
42-62015-00	69, 75, 78	56-03828-00	117
42-62070-00	150, 152	56-03829-00	111, 118, 120, 122, 124, 126, 128, 132, 135
42-62070-01	150, 152	56-03830-00	119, 121, 123, 125, 127, 129, 134, 136
44-00045-03	113, 117	56-03865-00	119, 121, 123
44-00102-51	5, 11, 13, 16, 21, 23, 26, 29, 31, 35, 38, 41, 43, 47, 49, 52, 55, 57, 61, 64, 67	56-03866-00	111, 117
44-00102-72	138	56-03867-00	119, 121, 123, 125, 127, 129, 134, 136
44-00318-00	138, 140, 142, 144	56-03911-00	132
48-00335-00	162	56-03912-00	134
		56-07645-00	159, 160, 163
		56-07646-00	164
		56-62018-00	119, 121, 123, 125, 127, 129, 136
		56-62018-01	134
		56-62022-00	111, 117
		56-62023-00	111, 117
		56-62092-00	119, 121, 123, 125, 127, 129, 134, 136
		56-62106-00	117
		56-62120-01	115
		56-62131-00	111
		56-62132-00	111
		56-62133-00	113
		56-62221-00	123, 125, 127, 129, 132, 136
		56-62222-00	111, 117
		56-62235-00	138
		56-62235-01	138
		56-62235-02	141, 143
		56-62235-03	141, 143
		56-62242-00	125, 127, 130, 134, 136
		56-62243-00	125, 127, 129, 134, 136
		56-62249-00	114, 115
		58-00065-85	5, 11, 13, 16, 21, 23, 26, 29, 31, 34, 37, 40, 43, 46, 49, 51, 55, 57, 61, 63, 66, 111, 117

5

50-00122-14	153, 165
50-00122-23	150
50-00122-50	153, 165
50-00122-93	153, 165
54-00122-23	147, 148, 150, 152
54-00508-20	152
54-00508-30	147, 148, 150
54-00517-20	147, 148, 150
54-00533-00	148
54-00599-00	152
54-50067-00	148, 152
54-50067-31	147, 148, 150, 152
56-00143-29	122, 124, 126, 128, 132, 135
56-00143-49	111, 119, 121
56-00143-71	125, 127, 129, 132, 136
56-00143-74	111, 119, 121
56-00143-79	123
56-00146-35	113, 114
56-0031	145, 146
56-03824-00	119, 121, 123, 125, 127, 129, 131, 135
56-03826-00	111, 117
56-03827-00	117



INDEX

PART NUMBER	PAGE NUMBER	PART NUMBER	PAGE NUMBER
62-62043-01	69, 72, 75, 78, 93	68-08093-00	132
62-62043-02	80, 84, 87, 89, 96, 99, 103, 105	68-08094-00	134
62-62043-03	69, 72, 75, 78, 93	68-08095-00	111, 119, 121, 123, 125, 127, 129, 136
62-62043-04	80, 83, 86, 89, 96, 99, 102, 105	68-08161-00	163
62-62043-05	69, 71, 75, 78, 93	68-13383-00	159
62-62043-06	80, 83, 86, 89, 95, 99, 102, 105	68-62038-00	150, 152
62-62043-07	69, 71, 75, 78, 93	68-62114-00	111, 117
62-62044-00	69, 72, 75, 79, 80, 84, 87, 90, 93, 96, 100, 103, 106	68-62116-00	113, 117
62-62045-00	145, 146	68-62125-00	5, 13, 18, 21, 23, 26, 31, 35, 38, 41, 44, 47, 52, 55, 58, 75, 78, 168
65-01093-00	111, 117	68-62275-00	85, 88, 100, 106
66CH1-1212-8	139, 141, 143	68-62320-00	5, 11, 13, 16, 21, 23, 26, 29, 30, 33, 36, 39, 42, 45, 48, 50, 53, 56, 59, 62, 65
66NS0801CD0020	153, 165	68-62372-00	75, 77
66U1-1003-19	121, 127, 155, 157	68-62373-00	69, 75, 78
66U1-1214-5	111, 119, 121, 123, 130, 132, 136	68-62375-00	68, 74, 77
66U1-3041	138, 140, 142, 144	68-62402-00	5, 13, 18, 21, 23, 26, 31, 35, 38, 44, 47, 52, 55, 58
66U1-3803-15	3, 7, 9, 148, 152	68-62492-00	132
66U1-3882	3, 5, 7, 9, 11, 14, 18, 21, 24, 27, 29, 31, 34, 37, 40, 43, 46, 49, 51, 55, 57, 61, 63, 66, 69, 73, 76, 79, 81, 85, 87, 90, 93, 97, 100, 103, 106, 154, 166	68-62523-00	123, 125, 127, 129, 132, 136
66U1-5371-10	69, 71, 75, 79, 80, 83, 86, 89, 92, 95, 99, 102, 105	68-62554-00	138
66U1-5371-7	69, 75, 78	68-62603-00	71, 80, 83, 89, 92, 95, 99, 105
68-07967-00	41	68-62604-00	71, 80, 83, 86, 89, 92, 95, 99, 102, 105
68-07973-00	41	68-62942-00	150, 152
68-08041-00	129	68-63316-00	87, 103
68-08041-01	115, 129, 132, 136	68-63317-00	86, 102
68-08041-02	136	68-63318-00	26
68-08091-00	111, 119, 121, 122, 125, 127, 129, 132, 135	68G2-9072	154, 166
68-08092-00	111, 118, 120, 122, 124, 126, 128, 132, 135	68G2-9082	154, 166
		68PD1-1022	162
		68PD1-1082-2	155, 161
		68PD1-1092	156, 158, 167
		68PD1-1182-1	157



INDEX

PART NUMBER	PAGE NUMBER	PART NUMBER	PAGE NUMBER
68PD1-1202	154, 166	68RM50-1021-1	138, 139, 141, 143
68PD1-264	157	68RM50-1023P	3, 7, 9
68PD1-293-1	167	68RM50-1024	3, 7, 9
68PD1-293-3	161	68RM50-1027P	145, 146
68PD1-333-1	167	68RM50-1028	111
68PD2-1082	167	68RM50-1029	150
68PD2-110-21	161	68RM50-1029-1	150
68PD2-110-24	157	68RM50-1031	145, 146
68PD2-110-29	155	68RM50-1031-1	145, 146
68PD2-110-39	159	68RM50-1043-2	139
68PD2-110-4	167	68RM50-1043-3	139
68PD2-110-47	163	68RM50-1075P	108, 109
68PD2-110-56	156, 158	68RM50-1080	78, 87, 103
68PD2-110-58	167	68RM50-1082P	69, 75, 79
68PD2-110-77	162	68RM50-1094	113, 114, 119, 121, 123, 125, 127
68PD2-110-87	160	68RM50-1098P	137
68PD2-110-98	164	68RM50-1108	113, 114, 115, 119, 121
68RM35-107P	150, 152	68RM50-114-3	137
68RM35-1106P	149, 151	68RM50-125-17	6
68RM35-1133	145, 146, 147	68RM50-125-20	2
68RM35-117P	150	68RM50-125-23	8
68RM35-1242-1	113, 114, 119, 123, 125	68RM50-125-25	10
68RM35-1242-2	121, 127	68RM50-125-26	4
68RM35-187P	147, 148	68RM50-125-27	12
68RM35-267	29, 31, 34, 37, 40, 43, 46, 49, 51, 55, 57, 61, 63, 66	68RM50-125-28	15, 22
68RM35-433P	148	68RM50-125-30	19
68RM40-1188	117	68RM50-125-31	25
68RM40-1356P	69	68RM50-125-33	28
68RM40-157P	69, 72, 76, 79, 81, 84, 87, 90, 93, 96, 100, 103, 106	68RM50-125-34	33
68RM40-202-2P	150, 152	68RM50-125-36	19
68RM40-202-3P	150	68RM50-125-37	12
68RM45-193	140, 142, 144	68RM50-126-19	76
68RM50-1007-2	145, 146	68RM50-131P	69, 75, 79
		68RM50-138	150
		68RM50-138-1	150



INDEX

PART NUMBER	PAGE NUMBER	PART NUMBER	PAGE NUMBER
68RM50-171	118, 120	81-02651-01	134
68RM50-172P	108, 109	81-02651-02	136
68RM50-173P	108, 109	81-02654-01	134
68RM50-174	121, 127	81-02656-00	141, 143
68RM50-176	119, 121, 123, 125, 127, 129, 134, 136	81-02660-00	131
68RM50-178P	108	81-62042-00	119, 123, 125
68RM50-181	119, 121, 123	81-62056-00	113, 114
68RM50-187P	69, 75, 78	81-62056-01	115
68RM50-190	3, 7, 9	81-62057-00	111
68RM50-193	113, 114, 119, 121	81-62058-00	113
68RM50-193-1	115	81-62104-00	139
68RM50-195	111, 119, 121	81-62111-00	123, 125, 127
68RM55-1076	149, 151	81-62111-01	129, 132, 136
68RM55-1142P	149, 151	81-62113-00	138
68RM55-209-14	4, 10, 12, 16, 22, 25, 28, 31, 34, 37, 40, 43, 46, 49, 51, 54, 57, 60, 63, 66	81-62119-00	122, 124, 126, 128, 135
68RM55-209-6	2, 6, 8, 19	81-62120-00	114, 115
68RM55-210-12	4, 10, 12, 16, 19, 22, 25, 28, 31, 34, 37, 40, 43, 46, 49, 51, 54, 57, 60, 63, 66	81-62121-00	125, 127, 129, 134, 136
68RM55-210-6	2, 6, 8	86-62302-00	109
69ND35-1781	153, 165		
7			
73-50006-00	113, 114, 115		
79-02355-00	41		
8			
81-01599-00	159		
81-01599-01	163		
81-01600-00	160		
81-01600-01	164		
81-02651-00	129		
		9	
		91-01168-00	56
		91-01168-01	33, 45
		91-01168-02	36
		91-01168-03	42
		91-01168-04	39
		91-01168-05	48
		91-01168-06	50
		91-01168-07	53
		91-01168-08	30, 59
		91-01168-09	65
		91-01168-10	56
		91-01168-11	62
		91-01168-12	33, 45
		91-01168-14	33



INDEX

PART NUMBER	PAGE NUMBER	PART NUMBER	PAGE NUMBER
99TS1445CK002100,	123, 125, 127, 129, 132, 136	AC701-224	113
A		AC701-237	11, 16, 23, 34, 40, 46, 51, 66
AA06BZ205	167	AC701-301	3, 5, 7, 9, 11, 14, 18, 21, 24, 27, 29, 31, 34, 37, 40, 43, 46, 49, 51, 55, 57, 61, 63, 66, 70, 73, 76, 79, 81, 85, 87, 90, 93, 97, 100, 103, 106
AC090-190-8	69, 74, 79	AC701-400	132
AC101-203	113, 117	AC801-319	5, 10, 13, 16, 20, 23, 26, 29, 31, 34, 37, 40, 43, 46, 49, 51, 55, 57, 61, 63, 66
AC101-309	111, 119, 121, 123, 125, 127, 129, 136	AC801-415	69, 75, 78
AC101-615	109	AC801-460-6	137
AC101-615-1	109	AC801-604	85, 88, 100, 106
AC101-615-2	108, 109	AC801-605	3, 5, 7, 9, 11
AC101-617	108	AC901-580	113, 117
AC101-617-1	109	AT13QA241	3, 5, 7, 9, 11, 13, 16, 21, 23, 26, 29, 31, 34, 37, 40, 43, 46, 49, 51, 54, 57, 60, 63, 66
AC101-617-2	109	AT31AB101	154, 166
AC101-900	119, 121, 123, 125, 127, 129, 134, 136	AU02AB242	154, 166
AC201-217	148	AU11AR241	154, 159, 163, 166
AC201-241	104, 107	C	
AC201-244	7, 9, 79, 138, 148, 152	CM090-226	168
AC201-246	148	CM201-968	168
AC201-600	97, 101	CM983-618	70, 73, 76, 79, 81, 85, 87, 91, 93, 97, 100, 103, 106
AC201-901	68, 74, 77, 97, 100	D	
AC201-931	68, 74, 77, 97, 101	DD19CA061	113, 114, 115, 119, 121, 123, 125, 127, 129, 132, 134, 136
AC202-209	79	DE06DA051	138, 139, 141, 143
AC202-210	64, 67	DE07DA608	113, 114, 119, 121, 123, 125, 127, 156, 158, 160, 167
AC202-218	47	DE07DA612	113, 114, 159, 167
AC301-204	11, 18, 23, 34, 40, 46, 51, 66	DE07DA902	119, 123, 125
AC301-236	138, 139, 141, 143	E	
AC301-244	140, 142, 144	EP23LC090	156, 158, 162
AC501-120	148		
AC501-146	147, 148		
AC501-148	150		
AC501-152	150, 152		
AC701-222	111, 119, 121		



INDEX

PART NUMBER

PAGE NUMBER

PART NUMBER

PAGE NUMBER

K

KK71GW015 155, 157, 159

Every driver deserves the best possible vehicle climate with MCC products

MCC provides exceptional performance in mobile climate comfort.



www.mcc-hvac.com

Member of MCC Group • Certified ISO 9001 and ISO 14001.
Specifications subject to change without notice. MCC is a registered trademark.