

SERVICE PARTS LIST
for
MODEL 68RF313

T-315PL

REV. 05/2012



TABLE OF CONTENTS

1 INTRODUCTION ii
2 CONFIGURATION IDENTIFICATION ii
3 OPTION DESCRIPTION ii
4 ORDERING INSTRUCTIONS ii
5 GENERAL NOTES ii
1 68RF313 ROOFTOP BUS AIR CONDITIONING SYSTEM 1
2 CONDENSER ASSEMBLY 2
3 FRAME KIT, CONDENSER BASE 3
4 CONDENSER SKINS KIT, (COVER) 4
5 ELECTRICAL KIT - CONDENSER 5
6 REFRIGERANT KIT - CONDENSER - OPTIONS 1 & 2: COMMON PARTS 6
6.1 REFRIGERANT KIT - CONDENSER - OPTION 1 7
6.2 REFRIGERANT KIT - CONDENSER - OPTION 2 10
7 EVAPORATOR ASSEMBLY 12
8 FRAME KIT - EVAPORATOR HOUSING BASE - OPTION 1 13
8.1 FRAME KIT - EVAPORATOR HOUSING BASE - OPTION 2 14
8.2 FRAME KIT - EVAPORATOR HOUSING BASE - OPTION 3 16
9 EVAPORATOR SKINS KIT, (COVER) 77-62114-00 - OPTION 1 18
9.1 EVAPORATOR SKINS KIT, (77-62114-01 COVER) - OPTION 2 19
9.2 EVAPORATOR SKINS KIT, (77-62114-02 COVER) - OPTION 3 20
10 ELECTRICAL KIT, EVAPORATOR (OPTION 1, 2 & 3) 21
11 AIR EXCHANGE KIT - (0 TO 100%) - EVAPORATOR 22
12 REFRIGERATION KIT - EVAPORATOR 23
12.1 REFRIGERATION KIT - EVAPORATOR - OPTION 1 & OPTION 3 23
12.2 REFRIGERATION KIT - EVAPORATOR - OPTION 2 27
12.3 REFRIGERATION KIT - EVAPORATOR ONLY HEATER KIT - OPTION 4 31
13 CONTROLLER KIT, MICROMAX - OPTION 1 33
13.1 CONTROLLER KIT - 05G MICROMAX BELIMO, TWO SPEED - OPTION 2 35
13.2 CONTROLLER KIT - MULTIPLEX - HEAT ONLY - OPTION 3 36
13.3 CONTROLLER KIT - 05G MICROMAX, NO TRANSDUCERS - OPTION 4 37
14 CONTROL PANEL ASSEMBLY - MICROMAX DC MOTORS - OPTION 1 & 2 38
14.1 CONTROL PANEL ASSEMBLY, MULTIPLEX HEAT ONLY - OLD - OPTION 3 ... 40
14.2 CONTROL PANEL ASSEMBLY, MULTIPLEX HEAT ONLY - NEW - OPTION 3 .. 41
14.3 CONTROL PANEL ASSY - 05G MICROMAX - NO TRANSDUCERS - OPTION 4 .. 43
14.4 CONTROL PANEL ASSEMBLY - MICROMAX - SLAVE - OPTION 5 45
14.5 MICROMATE CONTROL PANEL & HARNESS 47
15 FILTER ASSEMBLY KIT (OPTIONAL) 48



16	DECAL KIT CONDENSER	49
17	DECAL KIT EVAPORATOR	50



INTRODUCTION

1 INTRODUCTION

The Mobile Climate Control model 68RF313 series units are of lightweight frame construction, designed to be installed on the vehicle roof.

2 CONFIGURATION IDENTIFICATION

Unit identification information is provided on a plate located inside the condenser and evaporator sections. The plate provides the unit model number, the unit serial number and the unit parts identification number (PID). The model number identifies the overall unit configuration while the PID provides information on specific optional equipment and differences in detailed parts.

This manual provides a description of and a tabular listing of unit model numbers and PID numbers to assist the reader in identifying the equipment supplied and any required service parts.

3 OPTION DESCRIPTION

Various options may be factory or field equipped to the base unit. These options are listed in the tables and described in the following subparagraph.

3.1 Refrigeration Kit - Evaporator

The units are assembled to allow orientation of the connections for different mounting arrangements and may be supplied with various piping layouts for specific applications.

The evaporator assembly can also be configured as a stand-alone roof-top heater assembly (no cooling).

3.2 Condenser

The units may be assembled with or without service valves.

3.3 Motors

The units may be supplied with 24 VDC permanent magnet (PM) motors or 24 VDC brushless motors (BM).

3.4 Air Exchange/Controller

The unit is fitted with an air exchange of 0-100% and three different style controllers.

4 ORDERING INSTRUCTIONS

All orders and inquiries for parts must include: Unit Serial Number, Part No., PID number, description of part as shown on list and quantity required. Parts can be ordered by going to the following website:

www.mcc-hvac.com

5 GENERAL NOTES

To find replacement parts, determine major group in which replacement part is located. Consult table of contents for the appropriate page for the illustrated breakdown of the replacement part. The following letter designations are used to classify parts throughout this list.

A/R *As Required*

NSA *Not Stock Assembly* - Order components listed under the assembly.

NSS *Not Sold Separately* - Order next higher assembly or kit.

P-- *Suffix P--* added to part number means part is available in packaged quantity only.

PL *Purchase Locally.*

SST *Stainless Steel* - 300 Series unless otherwise specified.

SV *Suffix SV* added to part number designates service replacement part.

NS *Not Shown* on illustration.



Table 1-1 Option Legend

OPTION	DESCRIPTION
Frame Kit - Evaporator	
1	Evap. Housing Base 0-100%
2	Evap. Hsg. Base 0-100% w/Spoiler Brks
3	Evap. Hsg. Base 20% w/Spoiler Brks
Refrigeration Kit - Evaporator	
1	Road Side (RS) W/Heat
2	Curb Side (CS) W/Heat
3	Road Side (RS) With Heat - Evap. Only
4	Road Side (RS) Heat Only - Evap. Only
Skins Kit - Evaporator	
1	R.S. & C.S. Covers
2	R.S. & C.S.. Covers w/Spoiler

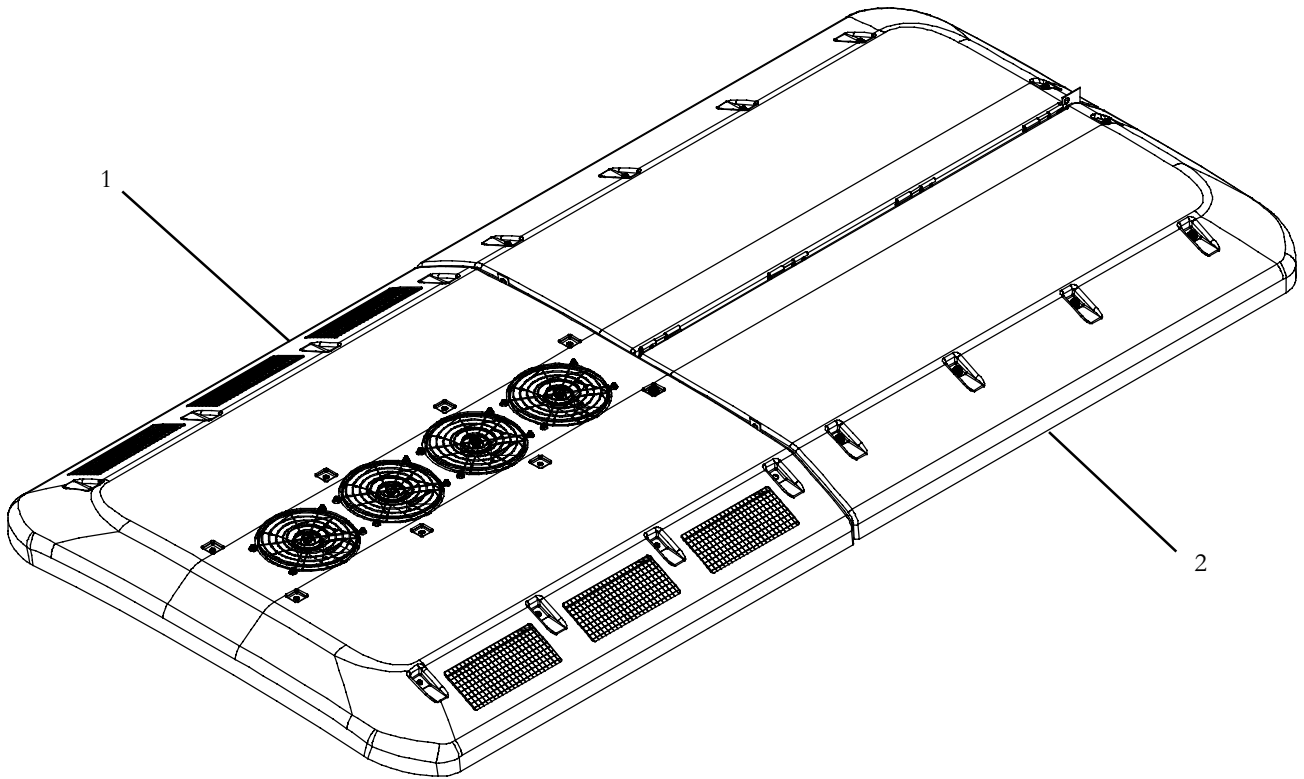
3	R.S. & C.S. Covers w/Spoiler & Safety
Refrigeration Kit - Condenser	
1	With service valves
2	Without service valves
Controller Kit	
1	Micromax
2	05G Micromax, 2 Speed
3	Multiplex - Heat Only
4	05G Micromax - No Transducers
5	Slave - Electrical Board
Electrical Kit	
1	24V With Permanent Magnet Motors
2	24V With Brushless Motors
3	24V W/Brushless Mtrs & PAC Connector

Table 1-2 Option Table

MODEL 68RF313	PID Condenser RF313C	PID Evaporator RF313E	Evaporator Frame Kit Option	Evaporator Refrig. Kit Option	Evaporator Skins Kit Option	Condenser Refrig. Kit Option	Controller Kit Option	Electrical Kit Option
-100	00044	00045	1	1	1	2	2	1
-100-1	00046	00047	1	2	1	2	2	1
-100-2	-	00048	2	3	2	-	2	1
-100-3	-	00049	2	4	2	-	4	1
-100-4	-	00050	3	4	3	-	4	2
-100-5	-	00051	3	4	3	-	3	3
-100-6	-	00052	3	3	2	-	5	3



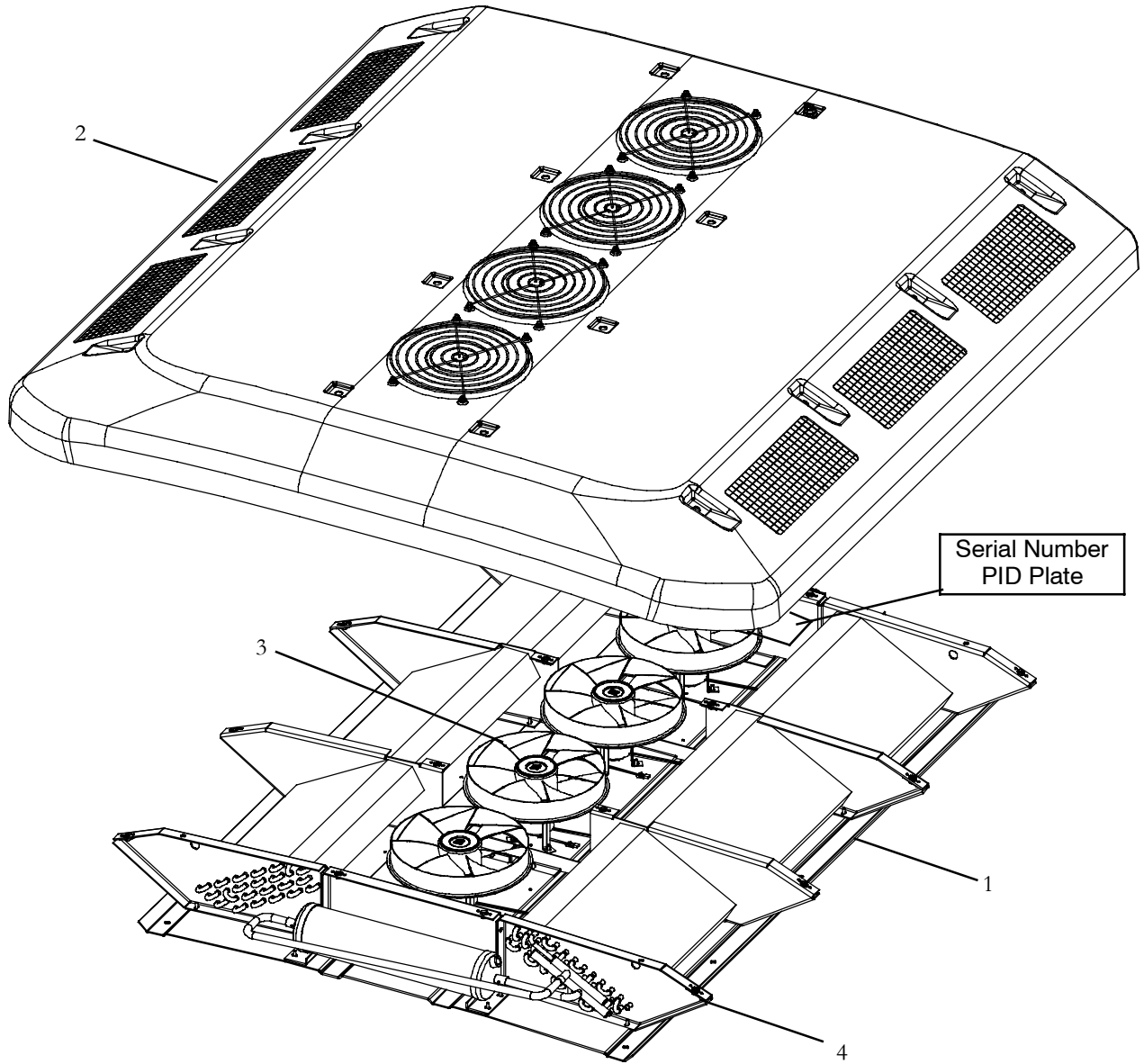
1 68RF313 ROOFTOP BUS AIR CONDITIONING SYSTEM



Item	Part Number	Description	Qty
1	-	Condenser Assembly (See Section 2)	-
2	-	Evaporator Assembly (See Section 7)	-



2 CONDENSER ASSEMBLY

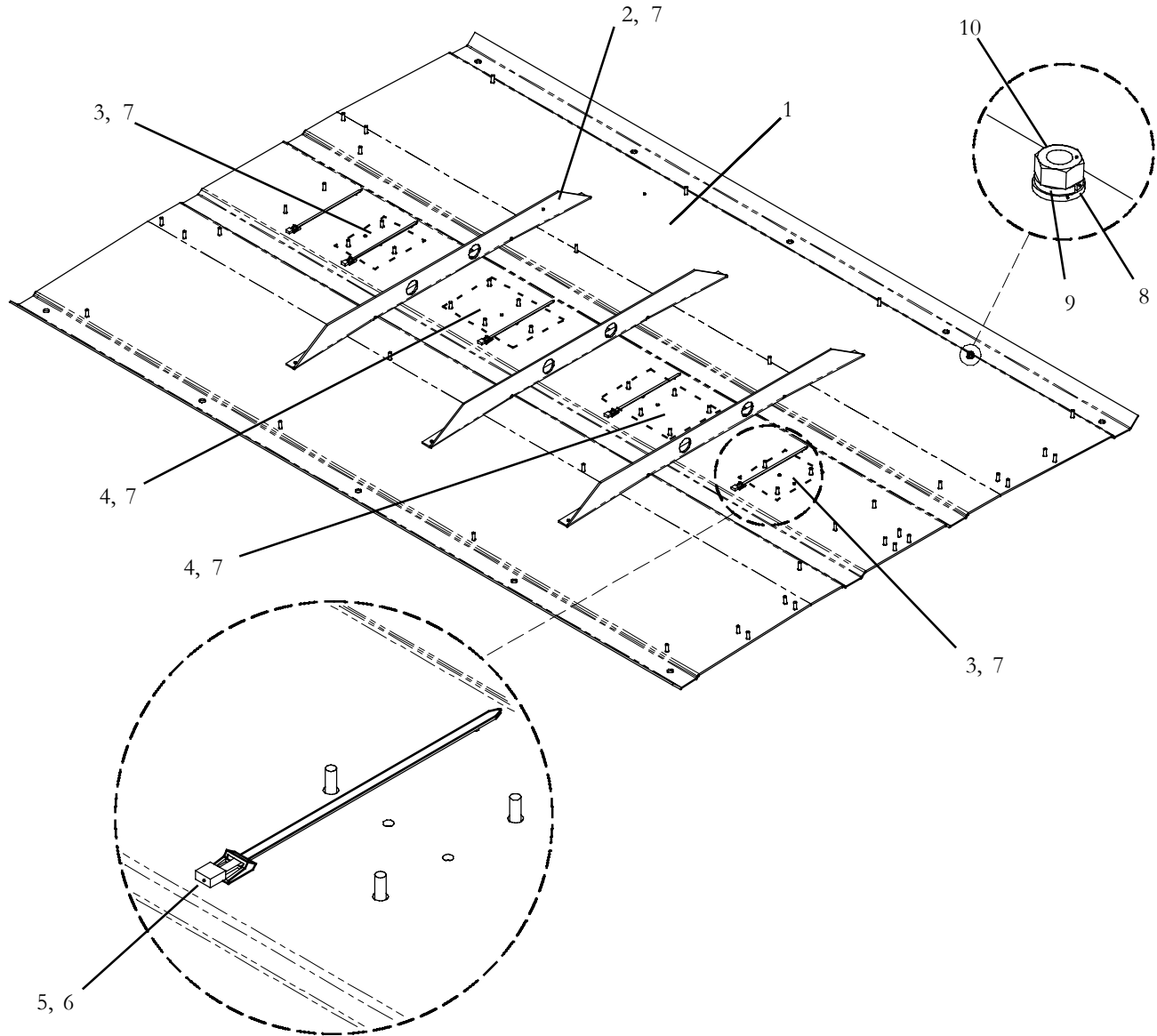


Item	Description
1	Condenser Frame Kit (See Section 3)
2	Condenser Skins Kit (See Section 4)
3	Condenser Electrical Kit (See Section 5)
4	Condenser Refrigeration Kit (See Section 6)



3 FRAME KIT, CONDENSER BASE

Based On Kit Number 77-62094-00 A

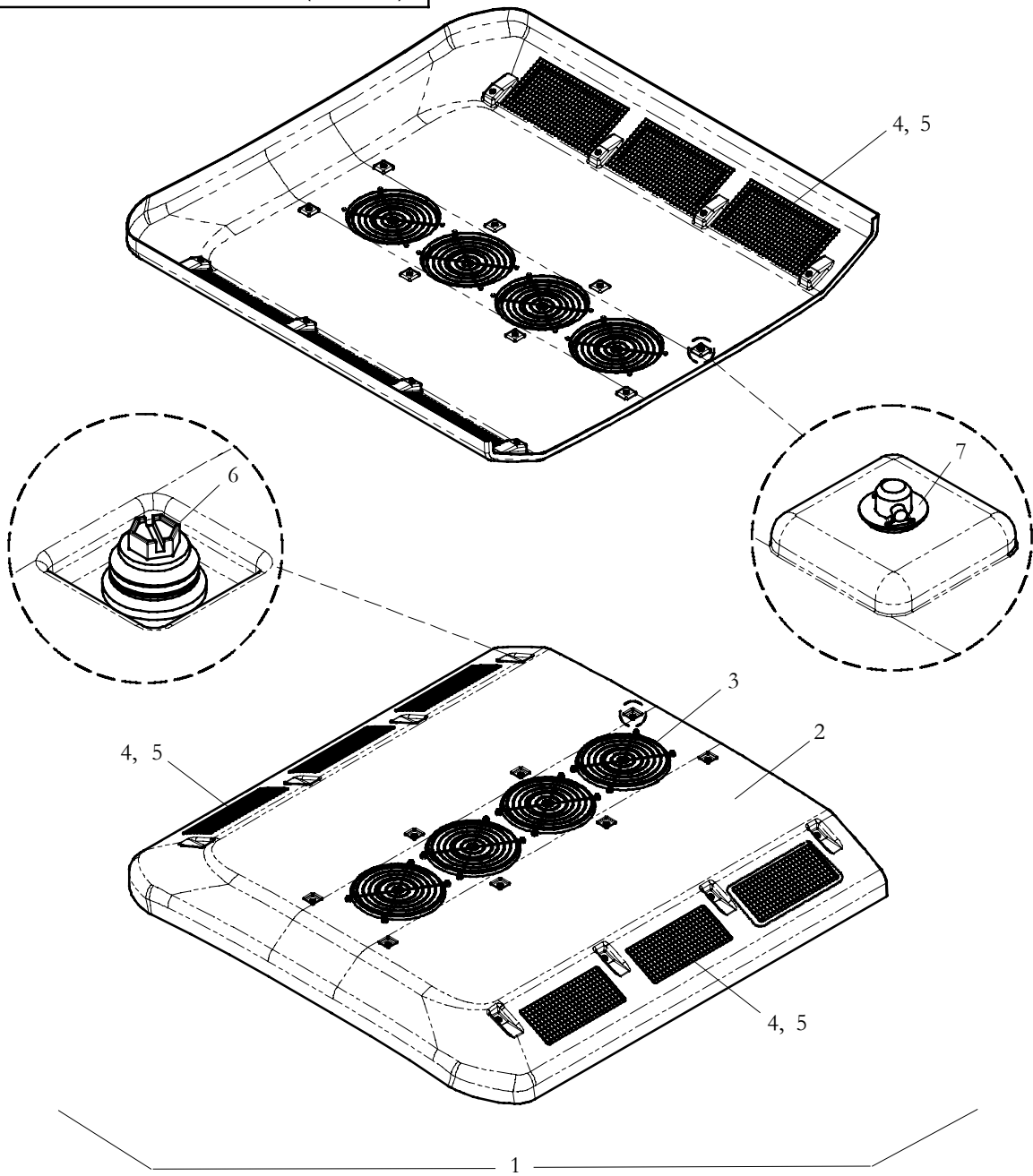


Item	Part Number	Description	Qty
1	68-63057-00	Plate Assembly, Condenser Base	1
2	68-62768-00	Bracket, Support, Condenser Base	3
3	68-62765-00	Plate Assembly, Mounting, Condenser (On Back Side)	2
4	68-62764-01	Plate Assembly, Mounting, Condenser (On Back Side)	2
5	58-04246-00	Base, Mounting Tab, Ty-Rap, (#10)	5
6	58-00079-02	Sta-Strap, 0-1.75 Inch Diameter Cable	5
7	34-62021-00	Rivet, Blind, Dome Head, 3/16 Diameter, Grip Range: .126 - .250	34
8	34-00944-06	Washer, Flat, M6, Steel	52
9	34-00945-06	Washer, Split Lock, M6, Spring	52
10	34-00946-06	Nut, Hex, M6 X 1.00, SST	52



4 CONDENSER SKINS KIT, (COVER)

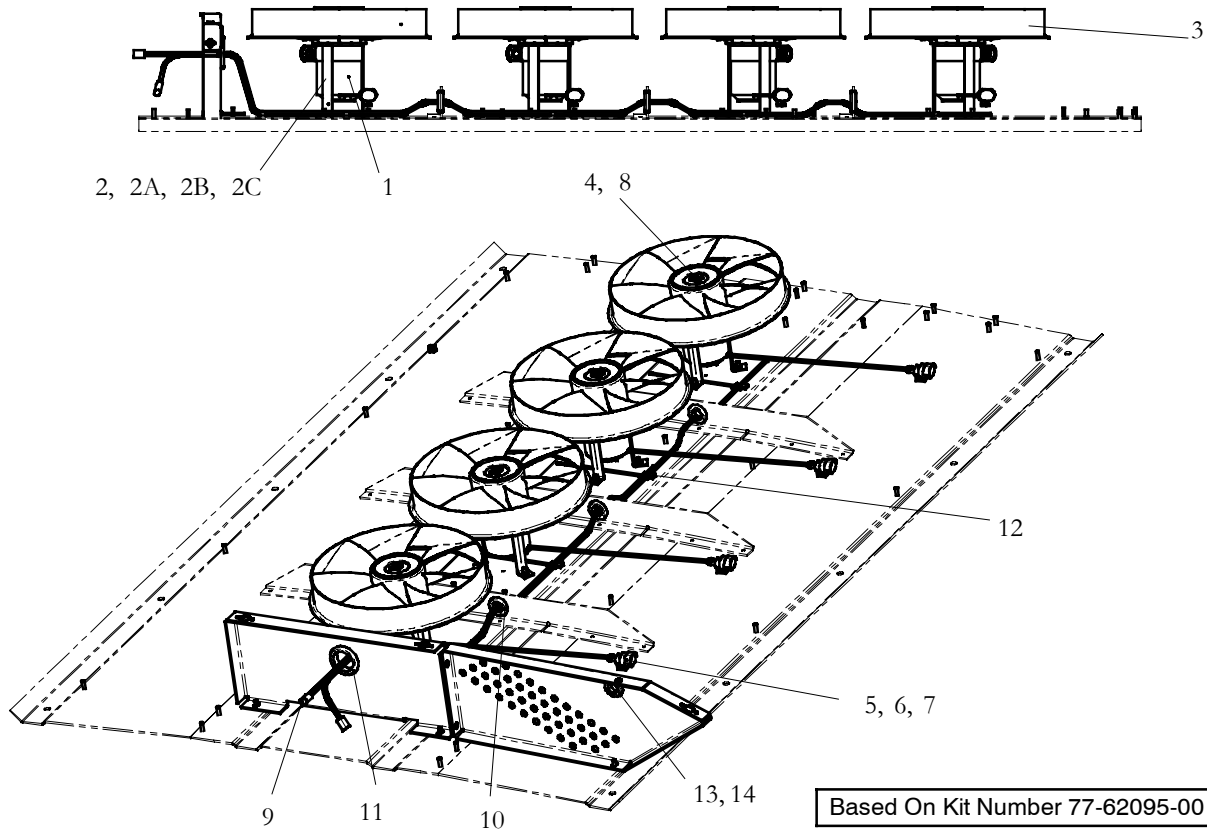
Based On Kit Number 77-62092-00 A (PENDA)
Based On Kit Number 77-62189-00 A (SUTRAK)



Item	Part Number	Description	Qty
1	58-62165-00	Cover Assembly, Condenser	1
2	NSSCover, Condenser	1
3	73-62003-00Grille, Circular, Condenser	4
4	73-62004-01Grille, Rectangular, Condenser	6
5	34-62021-00Rivet, Blind, Dome Head, 3/16 Inch Dia.	16
6	32-24-01-013	Stud, Hex Head Slotted, 1/4 Turn, With Disc & Flat Washers	16
7	34-24-01-016	Washer, Retaining, Steel	16



5 ELECTRICAL KIT - CONDENSER

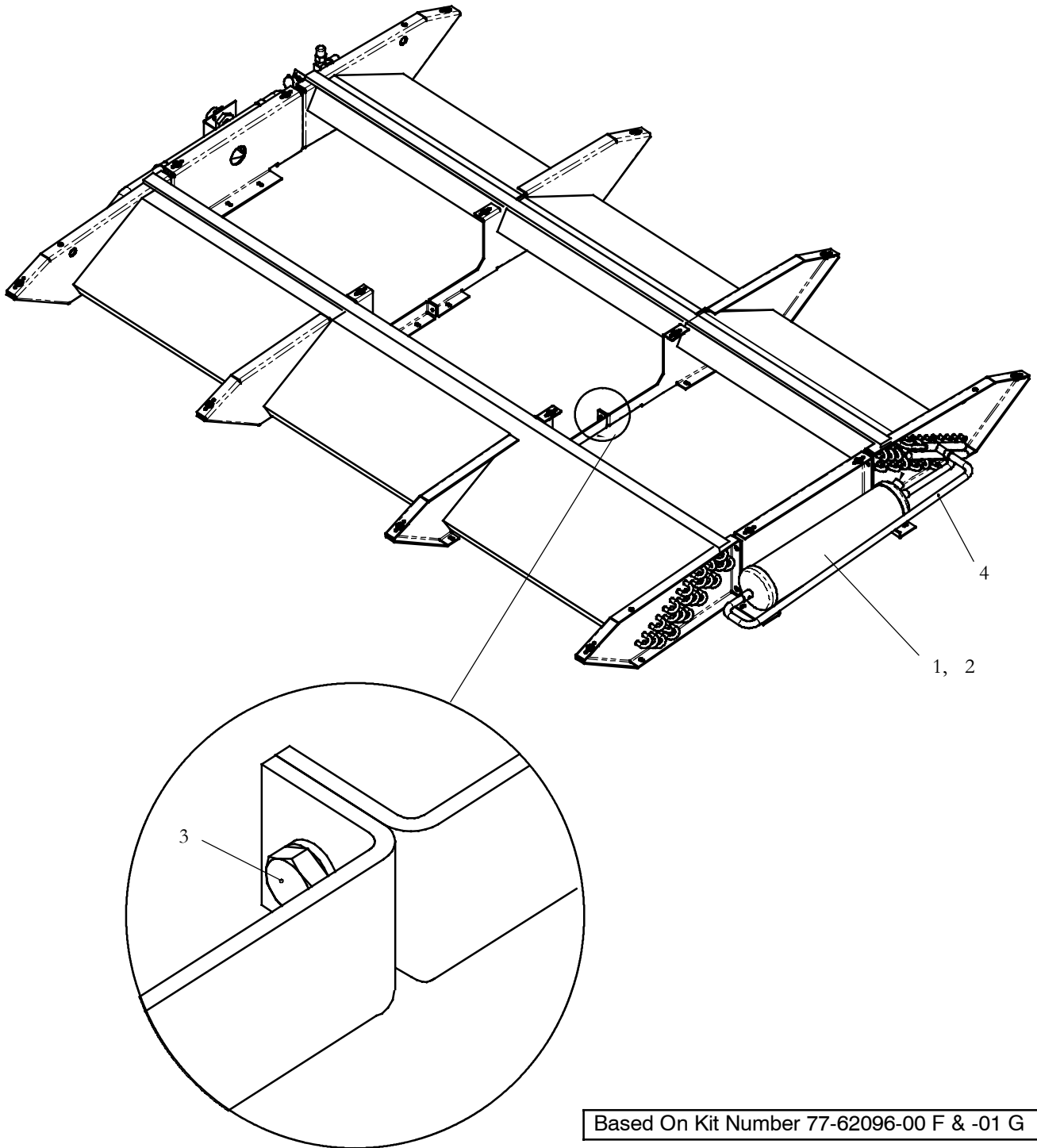


Based On Kit Number 77-62095-00 C

Item	Part Number	Description	Qty
1	54-00583-00	Motor, Fan, Condenser, 24 VDC, PM	4
2	86-62216-01	Mount, Motor, Condenser Fan, 3 Inch Dia. - Includes:	4
2A	34-00944-08Washer, Plain, M8	1
2B	34-00945-08Washer, Split Lock, M8	1
2C	34-01241-30Screw, Cap, Hex Head, M8 X 30 MM Long, GR 10.9	1
3	38-00566-00	Fan, Condenser, 7 Blade	4
4	34-62017-00	Clip, Retainer, Condenser Fan	4
5	22-01585-00	Connector, Male, 2 Cavity, Black	4
6	22-02393-01	Terminal, Male, (18-20 AWG)	8
7	22-02394-01	Seal, Cable	8
8	02-00067-00	Sealant, Caulking, Black, (10.3 Ounce Tube)	1
9	22-62193-00	Wire Harness, Condenser	1
10	58-00065-26	Grommet, .75 ID X 1.06 Hole X .06 Groove	3
11	58-00065-52	Grommet, 1.50 ID X 1.75 Hole X .12 Groove	1
12	66U1-3882	Wire Tie, Self-Locking, 7 Inches, Black	8
13	58-00915-00	Grommet, 0.50 ID X 0.75 Hole X .12 Groove	1
14	12-00305-07	Temperature Sensor Assembly, Includes:	1
	22-02392-00SVConnector Kit, 2 Pin, Includes:	1
	NSSConnector, Male, 2 Pin, Black	1
	22-02393-01Terminal, Male, (18-20AWG)	2
	22-02394-01Seal, Cable	2



6 REFRIGERANT KIT - CONDENSER - OPTIONS 1 & 2: COMMON PARTS



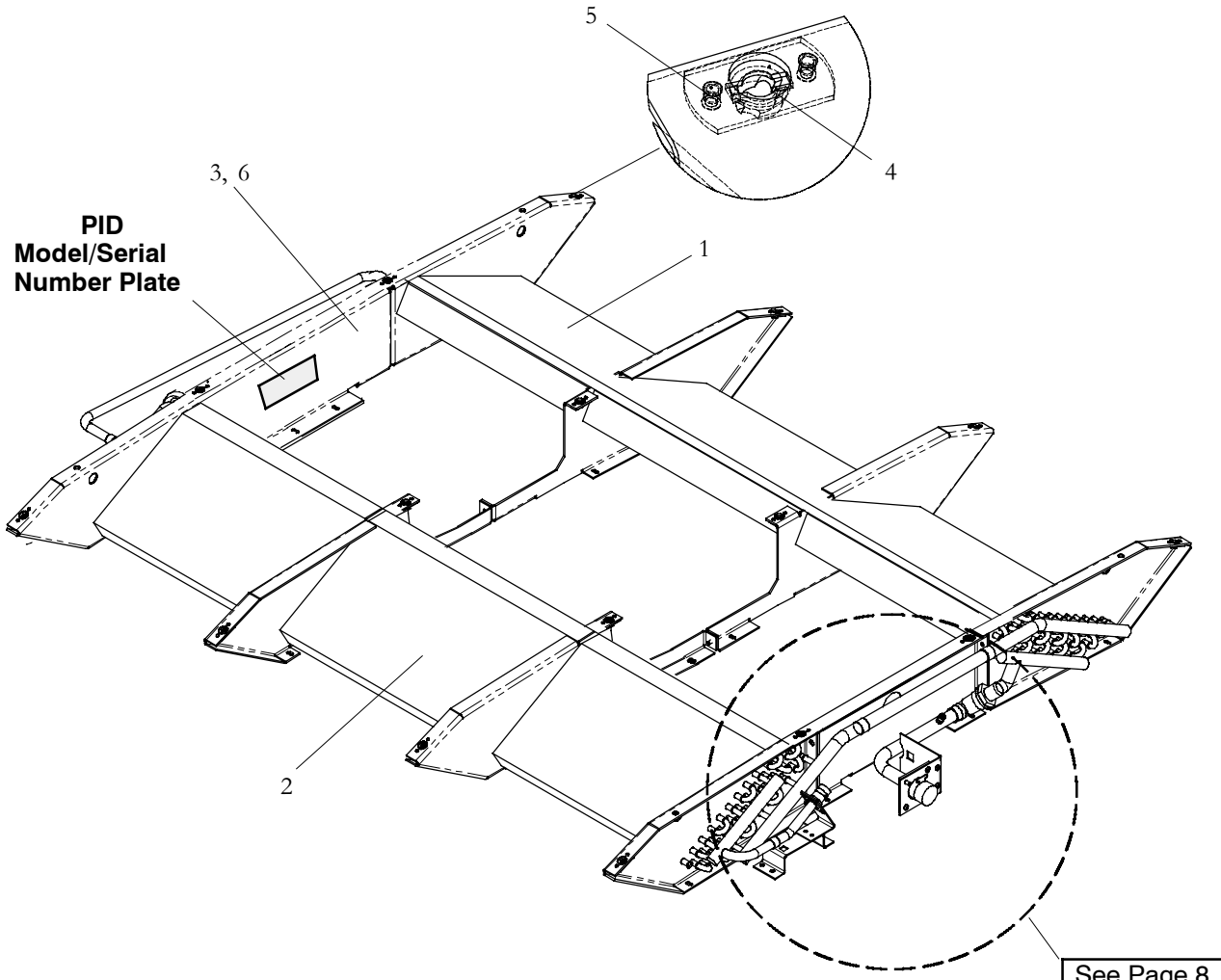
Based On Kit Number 77-62096-00 F & -01 G

1	65-62001-00	Tank, Receiver, 4 Inch O.D.	1
2	14-01032-01	Plug, Fusible, 3/8 Inch MPTF	1
3	34-01266-20	Screw, Hex Head, Slotted, SEMS M6 X 20 MM	A/R
4	56-62194-00	Tube, Bent, Liquid, Receiver, 5/8 OD X .040W Copper	1



6.1 REFRIGERANT KIT - CONDENSER - OPTION 1

Based On Kit Number 77-62096-00 F

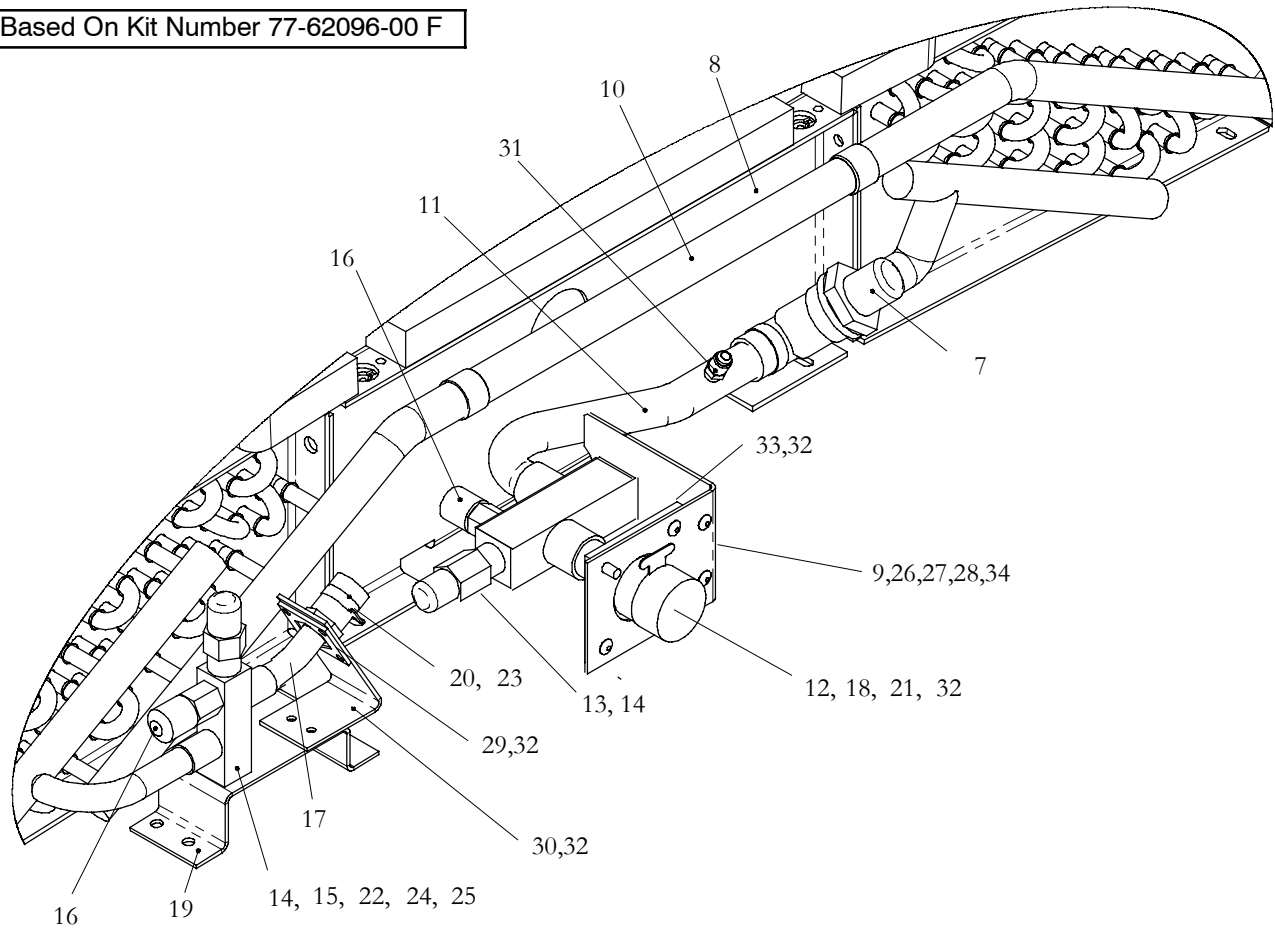


Item	Part Number	Description	Qty
1	08-62039-00	Coil Assembly, Condenser, Curb Side	1
2	08-62040-00	Coil Assembly, Condenser, Road Side	1
3	34-01266-20	Screw, Hex Head, Slotted, SEMS M6 X 20 MM	A/R
4	34-62016-00	Receptacle, Locking Plate	16
5	34-00928-09	Rivet, Blind, .156 Dia. SST, (Grip Range: .126-.250)	32
6	68-62791-01	Bracket, Coil, (Without Hole)	1



6.1 REFRIGERANT KIT - CONDENSER - OPTION 1 - Continued:

Based On Kit Number 77-62096-00 F



Item	Part Number	Description	Qty
7	14-00281-04	Valve, Check, 7/8 ODF	1
N/S	14-50050-01	...Repair Kit, Check Valve	1
8	68-62791-00	Bracket, Coil, (With 1.88 Hole)	1
9	68-63390-00	Bracket Assembly, Support, Shutoff Valve	1
10	56-62192-00	Tube, Straight, 7/8 ODF X .045W X 12.94 Inches Long, Copper	1
11	56-62193-00	Tube, Bent, Discharge, 7/8 ODF X .045W Copper	1
12	56-00145-27	Tube, Straight, 7/8 ODF X .045W Copper X 2.50 inches Long	1
13	40-00501-04	Valve, King, Brass, 7/8 ODF - Includes	1
14	40-00501-50	...Cap, King Valve, Service Part	1
15	40-00501-03	Valve, King, Brass, 5/8 ODF - Includes	1
14	40-00501-50	...Cap, King Valve, Service Part	1
16	40-00520-01	Coupling, High Pressure Side, With Cap	2
17	56-62205-00	Tube, Bent, Liquid, 5/8 ODF X .040W Copper	1
18	40-00491-00	Fitting, ORS, 7/8 X 1-7/16-12	1
19	68-62819-00	Bracket, Support, Shutoff Valve	1
20	40-62032-01	Nut, Swivel Fitting, 5/8 X 7/8-14 M.I.O.	1
21	42-00243-00	O-Ring, ORS-10, .921 ID X .139 Thick	1
22	34-00303-04	Screw, Cap, Hex Head, 5/16-24 X 1/2 Inch Long	1

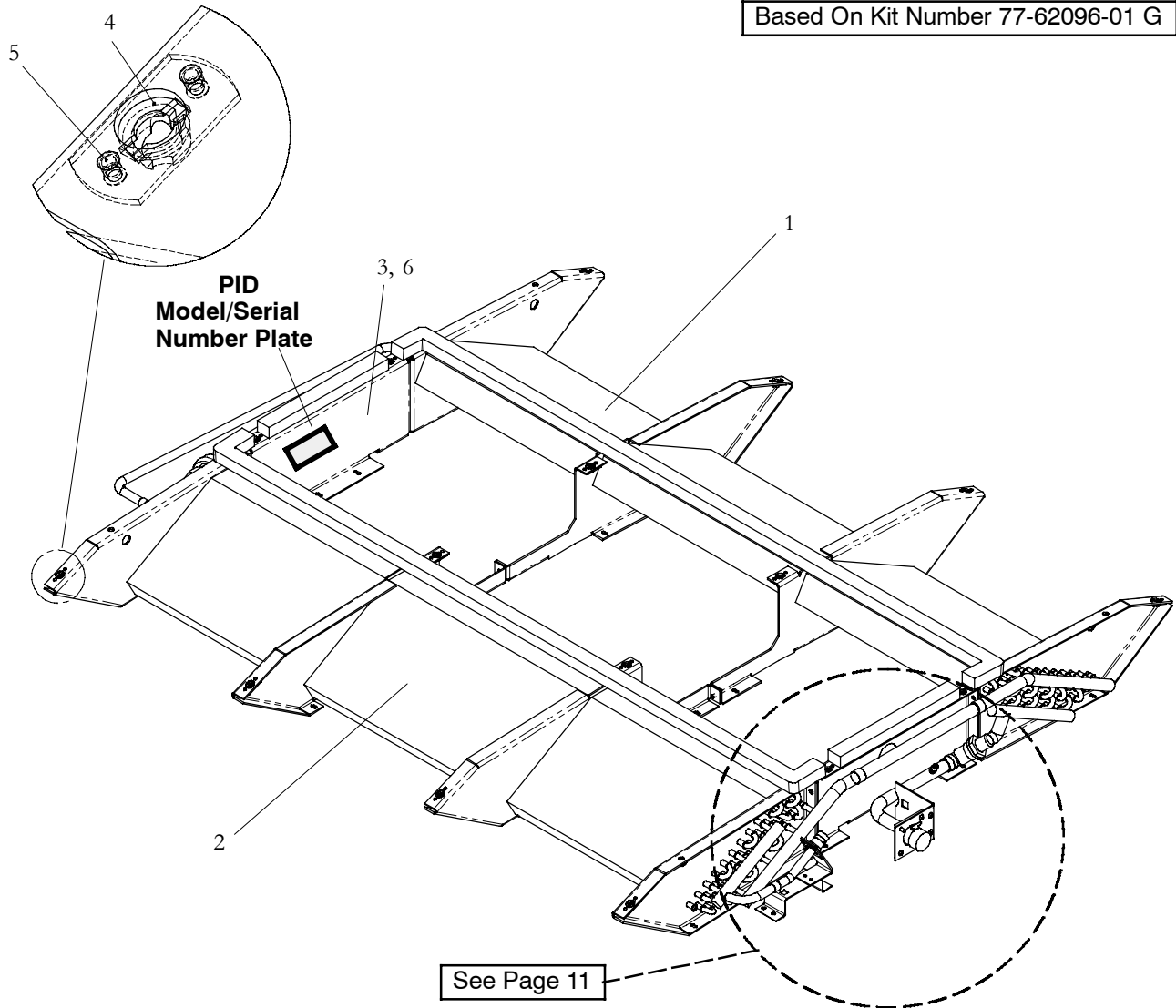


6.1 REFRIGERANT KIT - CONDENSER - OPTION 1 - Continued:			
Item	Part Number	Description	Qty
23	58-62025-03	Hose Assembly, Liquid, 5/8 F.O.R.	1
24	34-00588-12	Washer, Plain, 5/16, SAE	1
25	34-00368-12	Washer, Lock, Split, 5/16, Steel	1
26	34-00305-04	Screw, Cap, Hex Head, 3/8-24 X 1/2 Inch Long	1
27	34-00588-13	Washer, Plain, 3/8, SAE	1
28	34-00368-13	Washer, Lock, Split, 3/8, Steel	1
29	68-62492-02	Plate, Support, Liquid Hose, Brass	1
30	68-62861-00	Bracket Assembly, Support, Liquid Hose	1
31	40-01124-00	Body, Valve, Schrader, Brass, 1/4 SAE Flare, Includes:	1
	14-00351-00Core, Valve, Schrader (Nickel Plated)	1
	DD19CA061Cap, Seal, Flare, 1/4 Inch	1
32	34-62021-00	Rivet, Blind, Dome Head, 3/16 Dia., Grip Range: .126-.250	10
33	68-63391-00	Plate, Retainer, ORS Fitting	1
34	68-63421-00	Bracket, Tube Support, Shut Off Valve	1



6.2 REFRIGERANT KIT - CONDENSER - OPTION 2

Based On Kit Number 77-62096-01 G

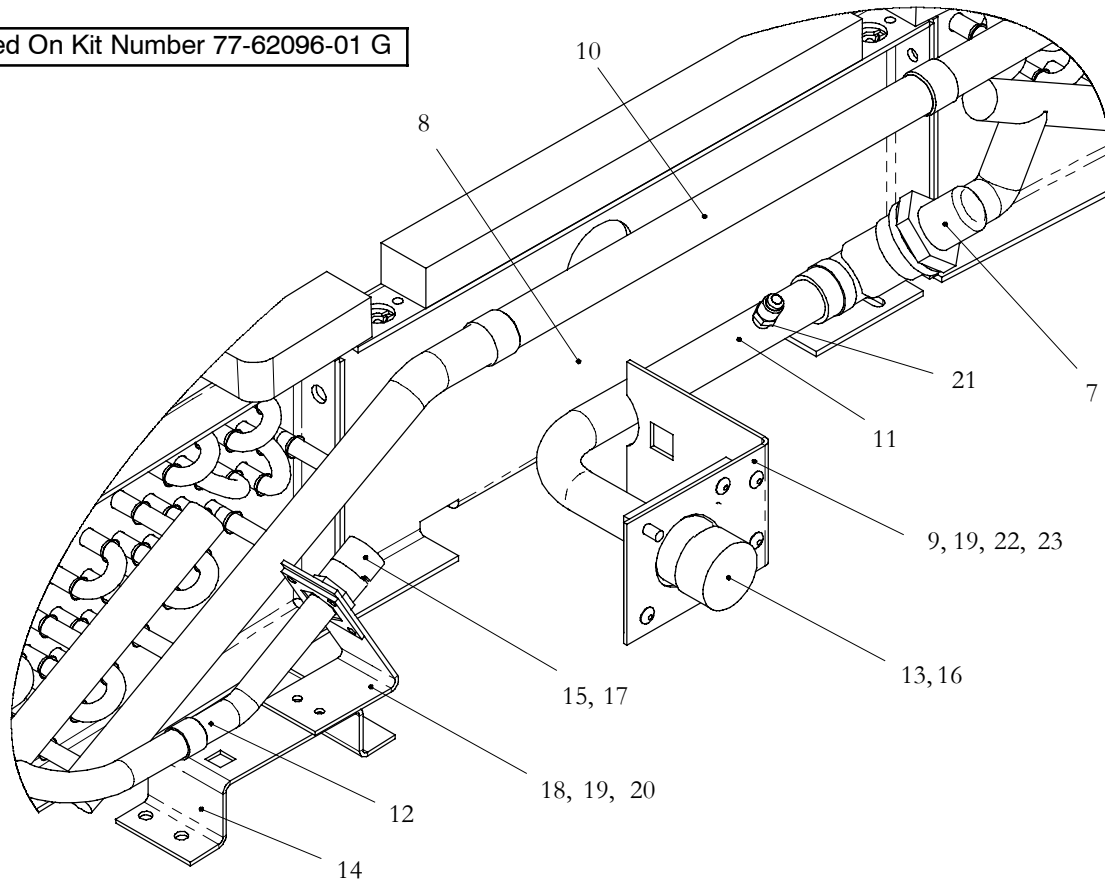


Item	Part Number	Description	Qty
1	08-62039-00	Coil Assembly, Condenser, Curb Side (LS)	1
2	08-62040-00	Coil Assembly, Condenser, Road Side (RS)	1
3	34-01266-20	Screw, Hex Head, SEMS M6 X 20 MM Slotted	10
4	34-62016-00	Receptacle, Locking Plate	16
5	34-00928-09	Rivet, Blind, .156 Dia. SST, (Grip Range: .126-.250)	32
6	68-62791-01	Bracket, Coil, (Without Hole)	1



6.2 REFRIGERANT KIT - CONDENSER - OPTION 2 - Continued:

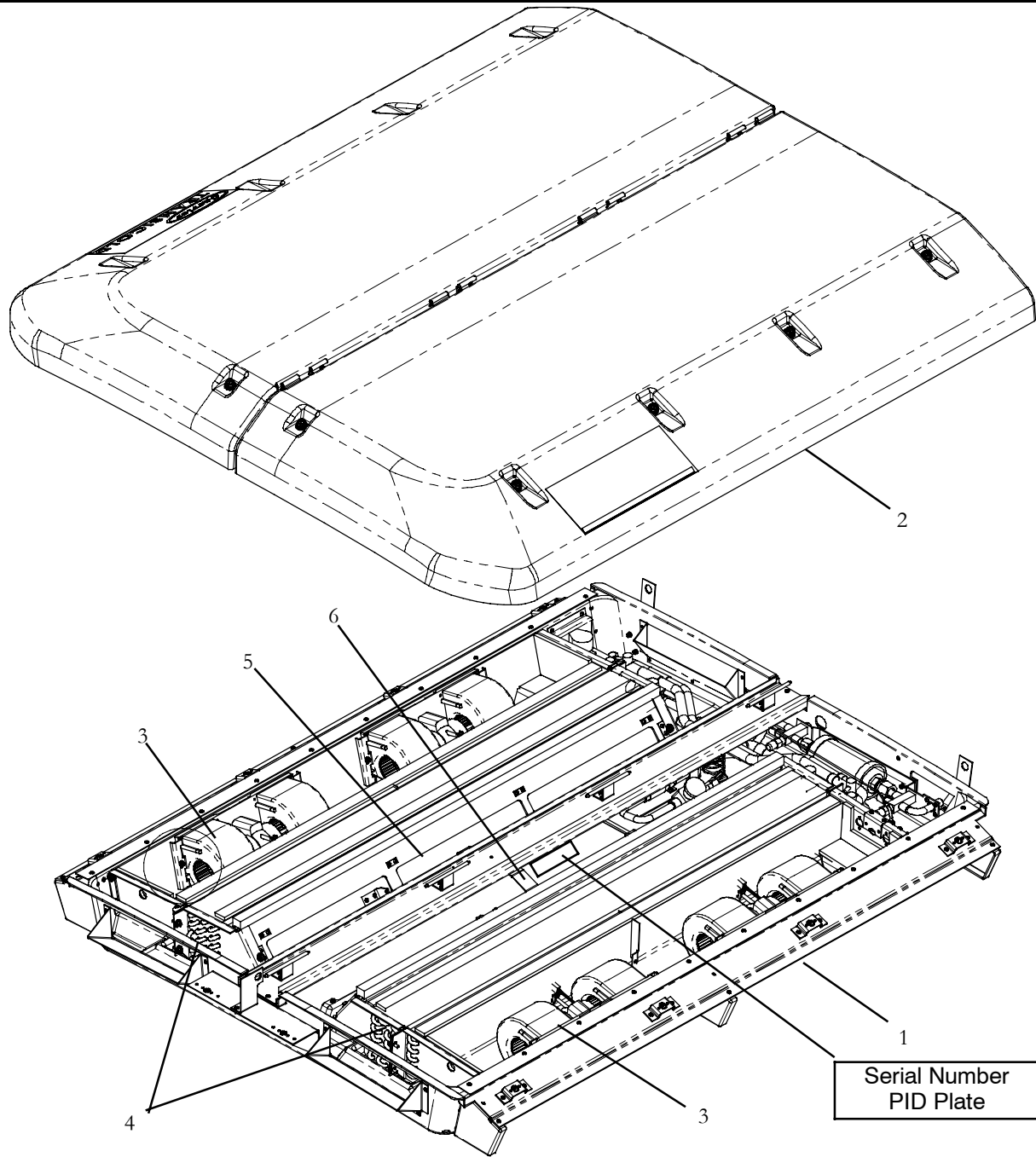
Based On Kit Number 77-62096-01 G



Item	Part Number	Description	Qty
7	14-00281-04	Valve, Check, 7/8 ODF	1
N/S	14-50050-01	...Repair Kit, Check Valve	1
8	68-62791-00	Bracket, Coil, (With 1.88 Hole)	1
9	68-63390-00	Bracket Assembly, Support, Shutoff Valve	1
10	56-62192-00	Tube, Straight, 7/8 ODF X .045W X 12.94 Inches Long, Copper	1
11	56-62290-00	Tube, Bent, Discharge, 7/8 ODF X .045 Copper	1
12	56-62291-00	Tube, Bent, 5/8 OD X .040W Copper	1
13	40-00491-00	Fitting, ORS, 7/8 X 1-7/16-12	1
14	68-62819-00	Bracket, Support, Shutoff Valve	1
15	40-62032-01	Nut, Swivel Fitting, 5/8 X 7/8-14 M.I.O.	1
16	42-00243-00	O-Ring, ORS-10, .921 ID X .139 Thick	1
17	58-62025-03	Hose Assembly, Liquid, 5/8 F.O.R.	1
18	68-62492-02	Plate, Support, Liquid Hose, Brass	1
19	34-62021-00	Rivet, Blind, Dome Head, 3/16 Dia., Grip Range: .126-.250	10
20	68-62861-00	Bracket Assembly, Support, Liquid Hose	1
21	40-01124-00	Body, Valve, Schrader, Brass, 1/4 SAE Flare, Includes:	1
	14-00351-00Core, Valve, Schrader (Nickel Plated)	1
	DD19CA061Cap, Seal, Flare, 1/4 Inch	1
22	68-63391-00	Plate, Retainer	1
23	68-63421-00	Bracket, Support, Tube, Shutoff Valve	1



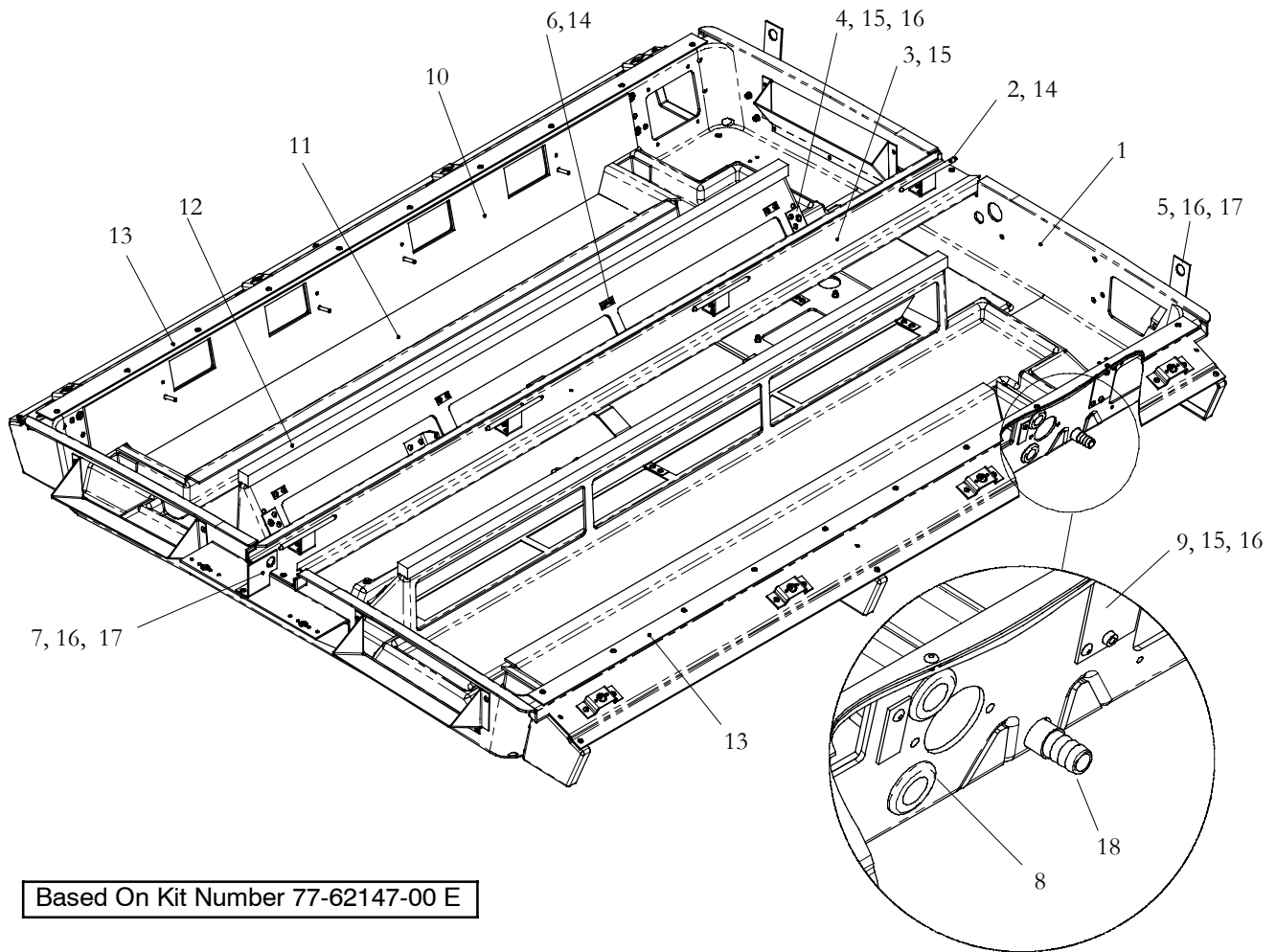
7 EVAPORATOR ASSEMBLY



Item	Description
1	Evaporator Frame Kit (See Section 8)
2	Evaporator Skins Kit (See Section 9)
3	Evaporator Electrical Kit (See Section 10)
4	Evaporator Refrigeration Kit (See Section 12)
5	Evaporator Air Exchange Kit (See Section 11)
6	Evaporator Controller Kit (See Section 13)
7	Filter Assembly Optional (See Section 15)



8 FRAME KIT - EVAPORATOR HOUSING BASE - OPTION 1

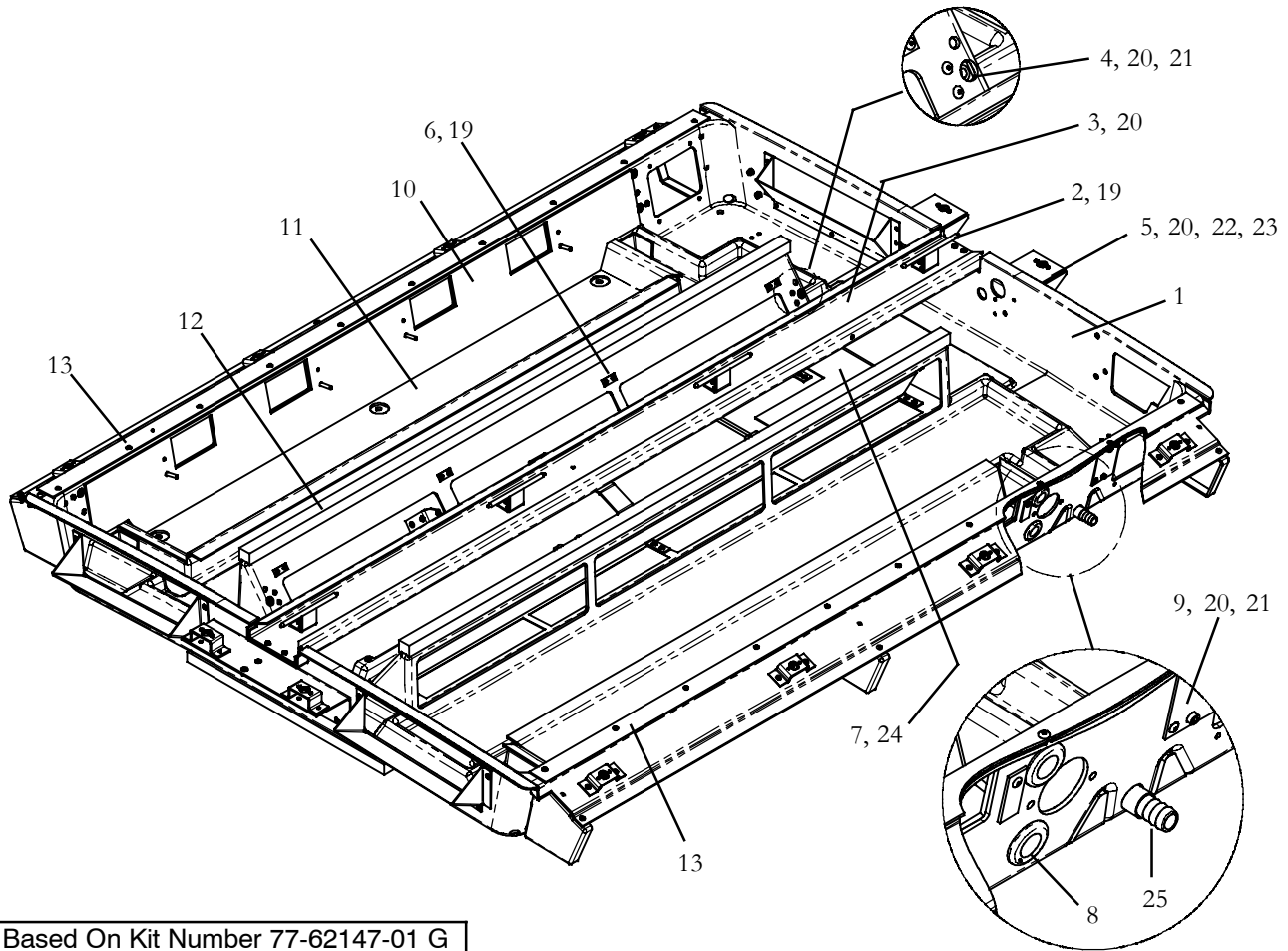


Based On Kit Number 77-62147-00 E

Item	Part Number	Description	Qty
1	58-62139-00	Base Assembly, 0-100% Fresh Air	1
2	44-62005-01	Hinge, Cover	4
3	86-62236-01	Base, Weld Assembly	1
4	68-62801-00	Plate, Coil	4
5	68-62984-00	Bracket, Lifting	2
6	58-04246-00	Base, Mounting Tab, Ty-Rap (#10)	5
7	68-63359-00	Bracket, Lifting	1
8	58-00065-51	Grommet, .88 ID X 1.25 OD	2
9	68-62772-00	Plate, Support	4
10	42-62086-00	Insulation, Adhesive Backed, Black	2
11	42-62042-01	Insulation, Adhesive Backed, Black	2
12	42-00221-11	Gasket, Foam 1.00 thick x 1.00 x 54.90 Inch, Adhesive Backed	2
13	58-62076-00	Seal, Bulb, (50 Ft. Roll)	1
14	34-62074-00	Rivet, Closed, .125 Dia., Grip Range: .126-.187, SST	22
15	34-01295-18	Rivet, Pop, Closed End, 3/16 Dia., Grip Range: .250-.375	20
16	34-06051-104	Rivnut, M6 X 1.0, Grip Range: .028-.165	18
17	34-01266-20	Screw, Hex Head, Slotted, Sems, M6 X 20MM	6
18	22-25-05-004	Drain Tube, Evaporator Base	2



8.1 FRAME KIT - EVAPORATOR HOUSING BASE - OPTION 2



Based On Kit Number 77-62147-01 G

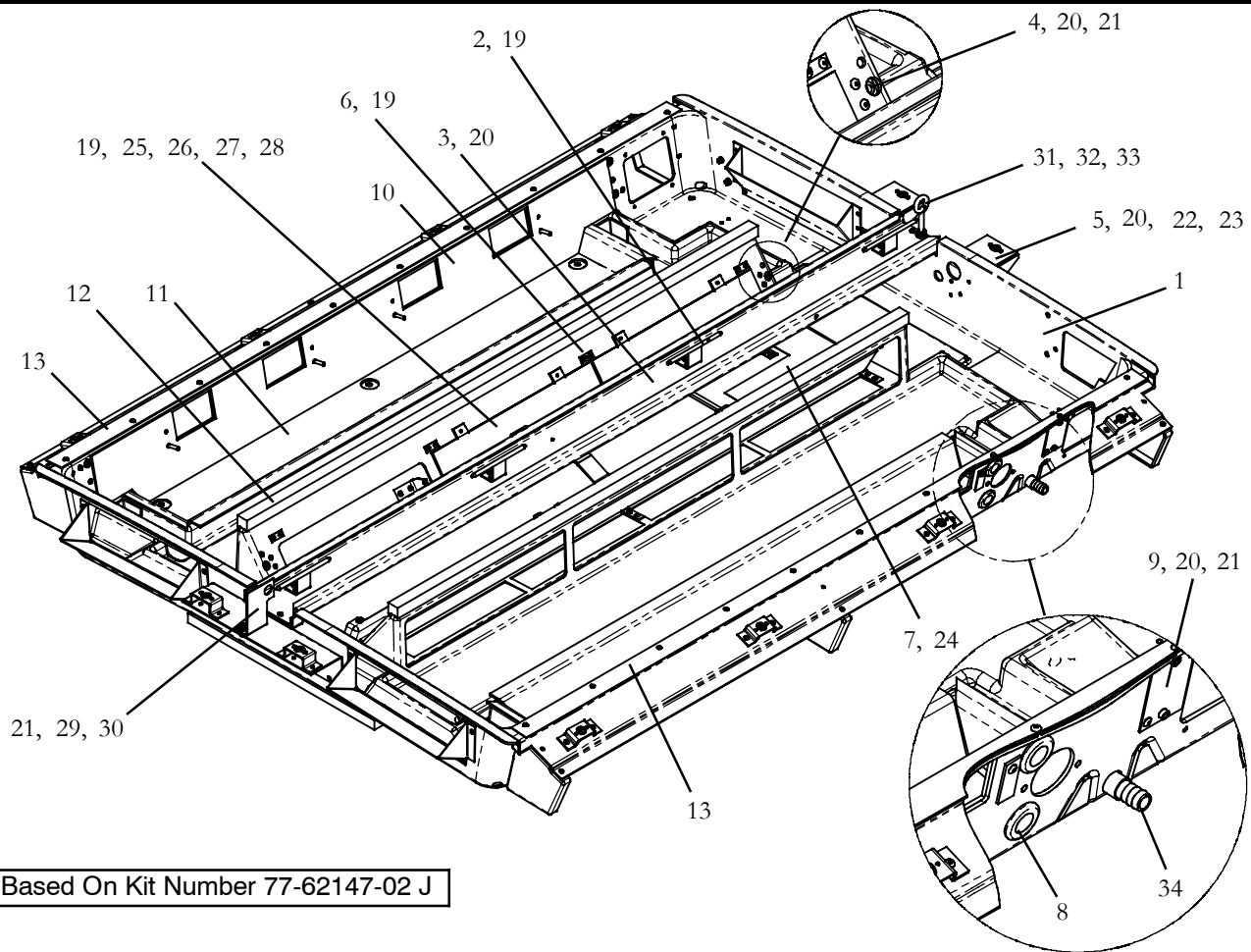
Item	Part Number	Description	Qty
1	58-62175-00	Base Assembly, Modified, Evaporator Only	1
2	44-62005-01	Hinge, Cover, SST	4
3	86-62236-01	Base, Weld Assembly	1
4	68-62801-00	Plate, Coil	4
5	86-03144-00	Bracket, Mounting	2
6	58-04246-00	Base, Mounting Tab, Ty-Rap (#10)	5
7	58-62157-01	Panel, Cover	1
8	58-00065-51	Grommet, .88 ID X 1.25 OD	2
9	68-62772-00	Plate, Support	4
10	42-62086-00	Insulation, Adhesive Backed, Black	2
11	42-62042-01	Insulation, Adhesive Backed, Black	2
12	42-00221-11	Gasket, Foam 1.00 thick x 1.00 x 54.90 Inch, Adhesive Backed	2
13	58-62076-00	Seal, Bulb, (50 Ft. Roll)	1
14	68-63832-00	Plate Assembly, Blockoff	1
15	68-63833-00	Plate Assembly, Blockoff	1
16	34-00944-06	Washer, Flat, M6	6
17	34-00945-06	Washer, Split Lock, M6	6
18	34-00946-06	Nut, Hex, M6-1.00, Zinc Plated	6



8.1 FRAME KIT - EVAPORATOR HOUSING BASE - OPTION 2 - Continued			
Item	Part Number	Description	Qty
19	34-62074-00	Rivet, Closed, .125 Dia., Grip Range: .126-.187, SST	22
20	34-01295-18	Rivet, Pop, Closed End, 3/16 Dia., Grip Range: .250-.375	26
21	34-06051-104	Rivnut, M6 X 1.0, Grip Range: .028-.165	12
22	34-62016-00	Receptacle, Locking Plate	2
23	34-00928-09	Rivet, Blind, .156 Dia., Grip Range: .126-.250, SST	4
24	02-62001-01	Sealant, Caulking, White (10.3 Ounce Tube)	1
25	22-25-05-004	Drain Tube, Evaporator Base	2



8.2 FRAME KIT - EVAPORATOR HOUSING BASE - OPTION 3



Based On Kit Number 77-62147-02 J

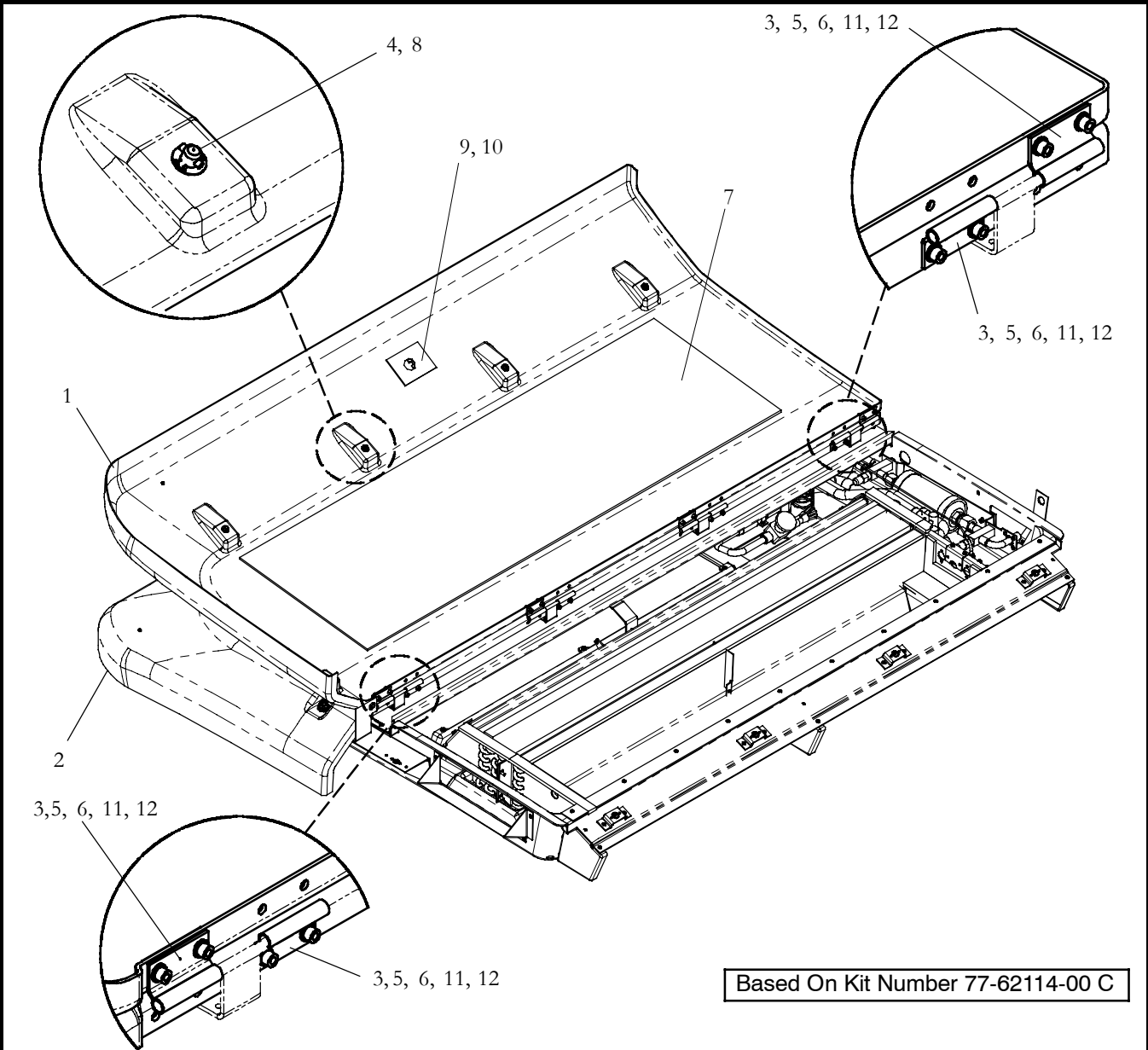
Item	Part Number	Description	Qty
1	58-62175-01	Base Assembly, 0-100% Fresh Air	1
2	44-62005-01	Hinge, Cover, SST	4
3	86-62236-01	Base, Weld Assembly	1
4	68-62801-00	Plate, Coil	4
5	86-03144-00	Bracket, Mounting	2
6	58-04246-00	Base, Mounting Tab, Ty-Rap (#10)	5
7	58-62157-01	Panel, Cover	1
8	58-00065-51	Grommet, .88 ID X 1.25 OD	2
9	68-62772-00	Plate, Support	4
10	42-62086-00	Insulation, Adhesive Backed, Black	2
11	42-62042-01	Insulation, Adhesive Backed, Black	2
12	42-00221-11	Gasket, Foam 1.00 thick x 1.00 x 54.90 Inch, Adhesive Backed	2
13	58-62076-00	Seal, Bulb, (50 Ft. Roll)	1
14	68-63832-00	Plate Assembly, Blockoff	1
15	68-63833-00	Plate Assembly, Blockoff	1
16	34-00944-06	Washer, Flat, M6	6
17	34-00945-06	Washer, Split Lock, M6	6
18	34-00946-06	Nut, Hex, M6-1.00, Zinc Plated	6
19	34-62074-00	Rivet, Closed, .125 Dia., Grip Range: .126-.187, SST	30



8.2 FRAME KIT - EVAPORATOR HOUSING BASE - OPTION 3 - Continued:			
Item	Part Number	Description	Qty
20	34-01295-00	Rivet, Pop, Closed End, 3/16 Dia., Grip Range: .250-.375	26
21	34-06051-104	Rivnut, M6 X 1.0, Grip Range: .028-.165	14
22	34-62016-00	Receptacle, Locking Plate	2
23	34-00928-09	Rivet, Blind, .156 Dia., Grip Range: .126-.250, SST	4
24	02-62001-01	Sealant, Caulking, White (10.3 Ounce Tube)	1
25	68-63693-03	Panel, Fresh Air	3
26	68-63693-01	Panel, Fresh Air	1
27	42-62129-03	Insulation, Fresh Air, Adhesive Backed, Black	3
28	42-62129-01	Insulation, Fresh Air, Adhesive Backed, Black	1
29	68-63359-00	Bracket, Lifting Device	1
30	34-01266-20	Screw, Hex Head, Slotted, Sems, M6 x 20MM	2
31	34-62069-00	Eyebolt, 3/8-16 x 1.50 Inches Long	1
32	34-00363-13	Nut, Hex, 3/8-16, Zinc Plated	2
33	34-00366-13	Washer, Plain, 3/8, Zinc Plated	2
34	22-25-05-004	Drain Tube, Evaporator Base	2



9 EVAPORATOR SKINS KIT, (COVER) 77-62114-00 - OPTION 1

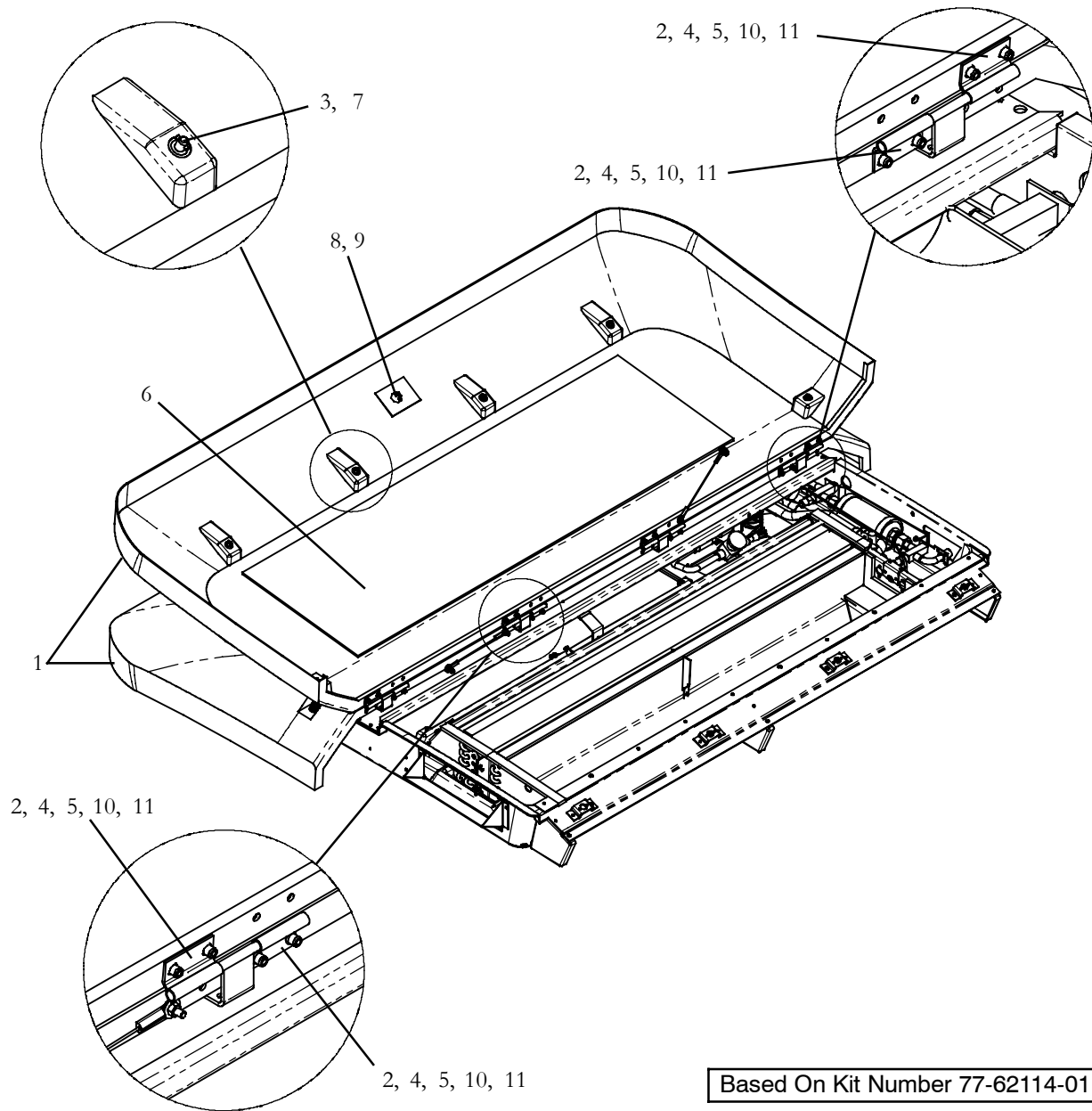


Based On Kit Number 77-62114-00 C

Item	Part Number	Description	Qty
1	58-62167-00	Cover Assembly, Evaporator, Roadside - Includes:	1
2	58-62167-01	Cover Assembly, Evaporator, Curbside - Includes	1
3	44-62004-00	...Hinge, Half, Cover	4
4	32-24-01-013	...Stud, Hex Head Slotted, 1/4 Turn, With Disc & Flat Washers	5
5	34-00967-25	...Screw, Hex Head, M6 X 25 MM	8
6	34-60002-06	...Washer, Bellville, Spring Lock	8
7	42-62040-01	...Insulation, Cover	1
8	32-24-01-016	...Washer, Retaining, Steel	5
9	68-62775-00	...Bracket, Cover	1
10	02-00067-00	...Sealant, Caulking, White, (20 Ounce Tube)	1
11	68-62790-00	...Plate, Backup, Hinge	4
12	34-06051-104	...Rivnut, M6 X 1.0, Grip Range: .028 - .165	8



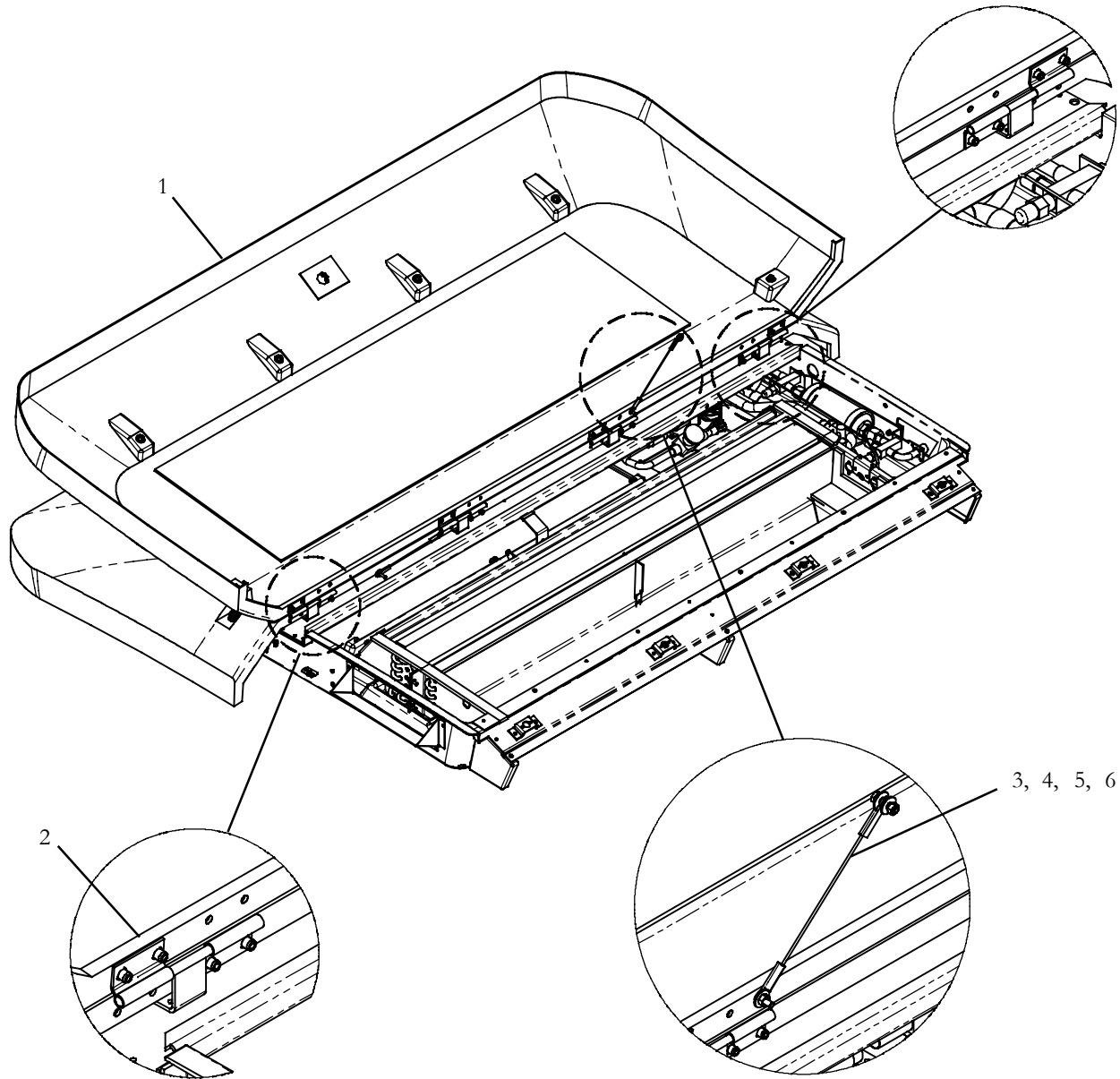
9.1 EVAPORATOR SKINS KIT, (77-62114-01 COVER) - OPTION 2



Item	Part Number	Description	Qty
1	58-62167-02	Cover Assembly - Roadside & Curbside, Evaporator Only - Includes:	1
2	44-62004-00	...Hinge, Half, Cover	8
3	32-24-01-013	...Stud, Hex Head Slotted, 1/4 Turn, With Disc & Flat Washers	10
4	34-00967-25	...Screw, Hex Head, M6 X 25 MM	16
5	34-60002-06	...Washer, Bellville, Conical Spring, M6	16
6	42-62040-01	...Insulation, Cover	2
7	32-24-01-016	...Washer, Retaining, Steel	10
8	68-62775-00	...Bracket, Cover	2
9	02-00067-00	...Sealant, Caulking, White, (20 Ounce Tube)	1
10	68-62790-00	...Plate, Backup, Hinge	8
11	34-06051-104	...Rivnut, M6 X 1.0, Grip Range: .028 - .165	16



9.2 EVAPORATOR SKINS KIT, (77-62114-02 COVER) - OPTION 3

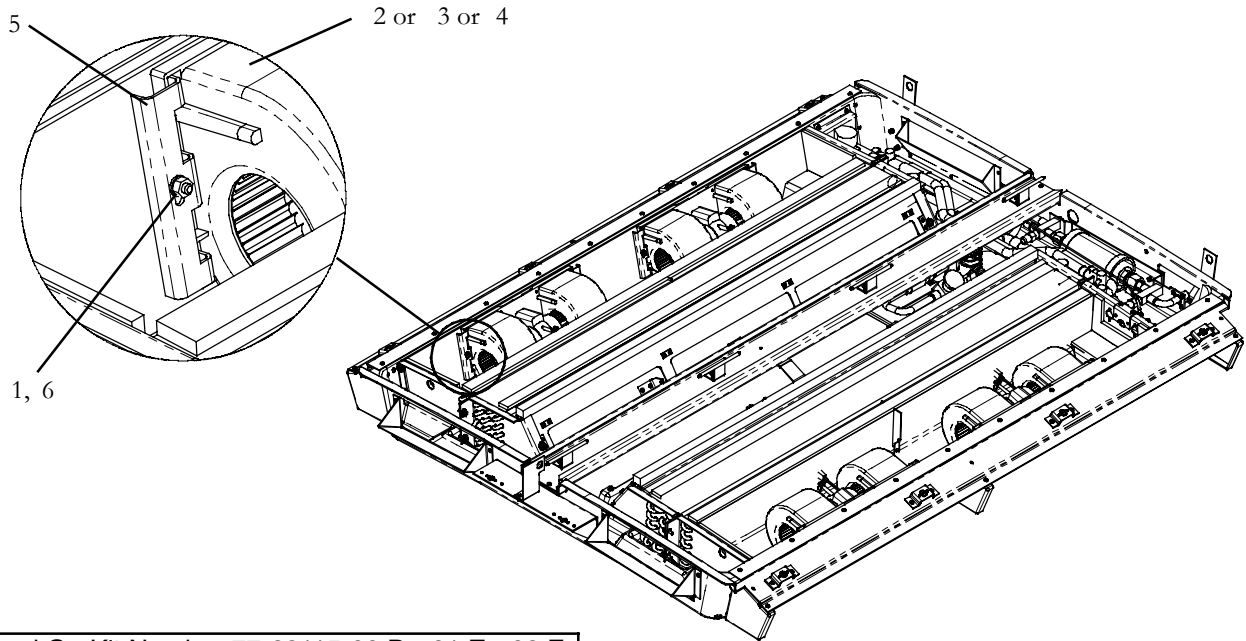


Based On Kit Number 77-62114-02 E

Item	Part Number	Description	Qty
1	58-62167-02	Cover Assembly - Roadside & Curbside, Evaporator Only - Includes: (See Section 9.1 For Breakdown)	1
2	68-63741-00	Plate, Backup, Painted	2
3	79-62111-00	Cable Assembly, Safety	2
4	34-00967-25	Screw, Hex Head, M6 x 25MM	4
5	34-60002-06	Washer, Bellville, Conical Spring, M6	8
6	34-00946-06	Nut, Hex, M6-1.00, Zinc Plated	4



10 ELECTRICAL KIT, EVAPORATOR (OPTION 1, 2 & 3)

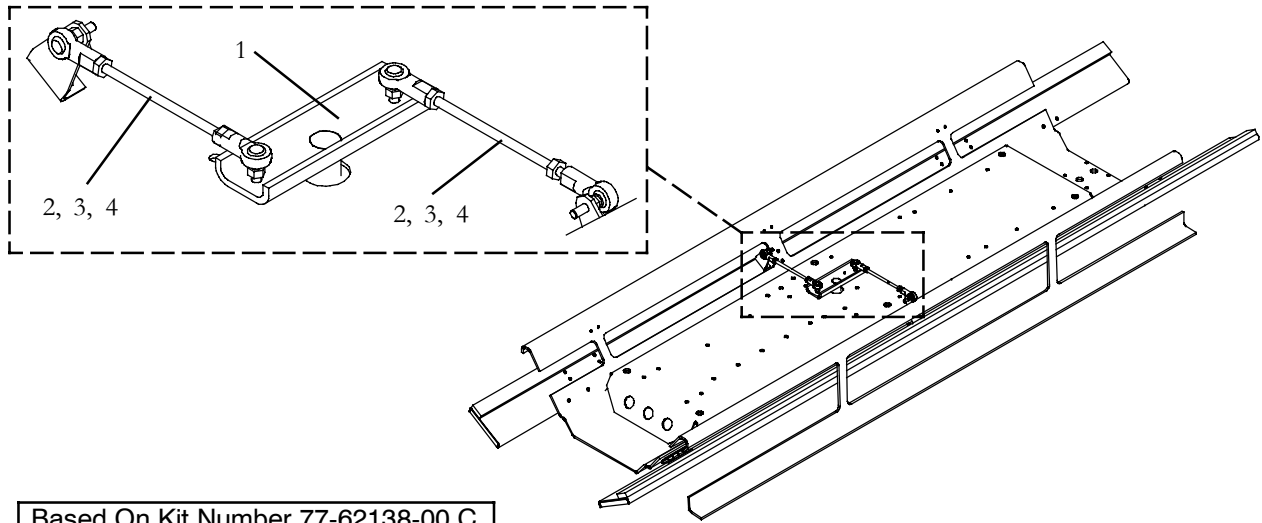


Based On Kit Number 77-62115-00 D, -01 E, -02 F

Item	Part Number	Description	Qty
1	34-01184-06	Nut, Lock, Nylon Insert, (M6)	8
2	54-00584-00	Blower/Motor Assy, (24VDC Perm. Magnet) 77-62115-00 Only (Option1)	4
2A	22-50098-77	...Connector, 2 Position, Natural	1
2B	22-50098-77A	...Terminal, Male, Tab Contact	2
3	54-00625-00	Blower/Motor Assembly, (24VDV Brushless) 77-62115-01 Only (Option 2)	4
3A	54-00625-50	...Motor, Fan, Evaporator, 24VDC, Brushless	1
3B	22-50098-77	...Connector, 2 Position, Natural	1
3C	22-50098-77A	...Terminal, Male, Tab Connect	2
3D	22-50078-63	...Connector, 1 Position, Black	1
3E	22-02393-00	...Terminal, Male (14-16 AWG)	2
3F	22-50078-51E	...Seal, Cable, Tan	1
4	54-00625-01	Blower/Motor Assembly, (24VDC Brushless) 77-62115-02 Only (Option 3)	4
4A	54-00625-51	...Motor, Fan, Evaporator, 24VDC, Brushless	1
4B	22-01585-00SK	...Connector, Male, 2 Pin, Black	2
4C	22-02394-02	...Seal, Cable, Green	2
4D	22-50078-63	...Connector, 1 Position, Black	1
4E	22-02393-00	...Terminal, Male (14-16 AWG)	3
4F	22-50078-51E	...Seal, Cable, Tan	1
5	68-62967-00	Bracket, Blower Mounting	8
6	34-00944-06	Washer, Flat. (M6)	8



11 AIR EXCHANGE KIT - (0 TO 100%) - EVAPORATOR



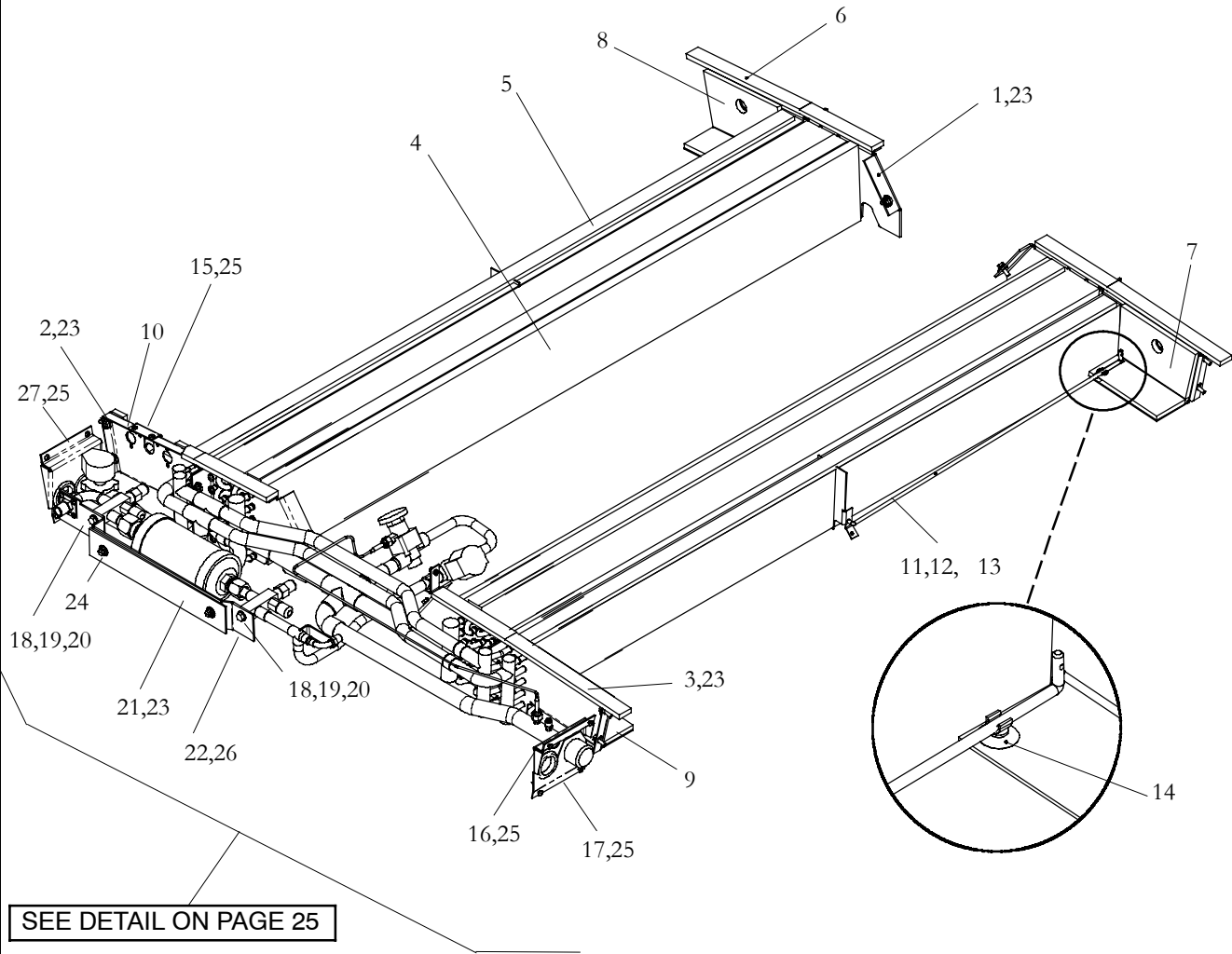
Item	Part Number	Description	Qty
1	86-62370-00	Bracket Assembly, Fresh Air Opening	1
2	34-00733-00	Nut, Hex, Keps, #10-32	8
3	34-62030-00	Rod, Threaded, 10-32 UNF-2A X 4.50 Inches Long, SST	2
4	44-62008-00	Ball Joint, #10-32	4



12 REFRIGERATION KIT - EVAPORATOR

12.1 REFRIGERATION KIT - EVAPORATOR - OPTION 1 & OPTION 3

Based On Kit Number RS 77-62148-00 G Option 1
Based On Kit Number RS 77-62148-05 H Option 3



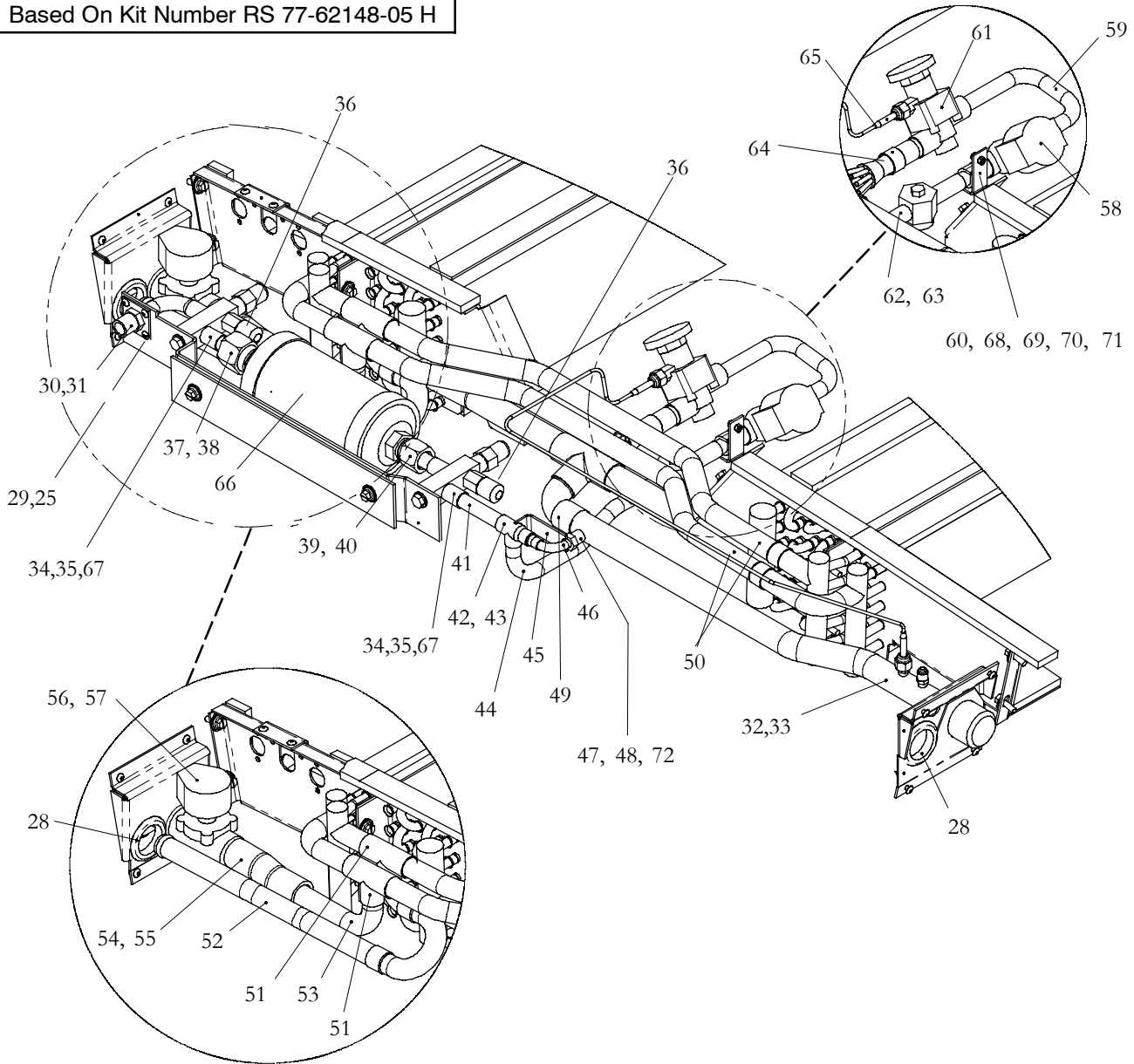


12.1 REFRIGERATION KIT - EVAPORATOR - OPTION 1 & OPTION 3 - Continued			
Item	Part Number	Description	Qty
1	08-62044-00	Coil Assembly, Evaporator, (Roadside & Curbside)	1
2	08-62053-00	Coil Assembly, Heater, Evaporator, (Curbside)	1
3	08-62053-01	Coil Assembly, Heater, Evaporator, (Roadside)	1
4	42-62045-01	Insulation, Coil, .75 Thick X 6.25 X 55.19 Inches Long	2
5	42-00221-12	Gasket, Foam, 1.25 Thick X1.00 X 55.19 Inches, Adhesive Backed	4
6	42-00221-13	Gasket, Foam, 1.25 Thick X1.00 X 18.00 Inches, Adhesive Backed	4
7	42-62106-01	Insulation, Tube Sheet, Neoprene, Adhesive Backed	1
8	42-62106-02	Insulation, Tube Sheet, Neoprene, Adhesive Backed	1
9	42-62106-03	Insulation, Tube Sheet, Neoprene, Adhesive Backed	1
10	42-62106-00	Insulation, Tube Sheet, Neoprene, Adhesive Backed	1
11	73-62005-01	Rod, Support, SST	1
12	73-62006-00	Pin, Cotter, Hair Pin	2
13	73-62005-03	Rod, Support, SST	1
14	58-62126-00	Clip, Rod Support	2
15	68-63250-00	Bracket, Harness	1
16	68-62797-00	Bracket, Tube Support	1
17	86-62319-01	Bracket Assembly, Tube Support	1
18	34-00303-04	Screw, Cap, Hex Head, 5/16-24 X 1/2 Inch Long	2
19	34-00588-12	Washer, Plain, 5/16, SAE	2
20	34-00368-12	Washer, Lock, Split, 5/16, Steel	2
21	68-62802-00	Plate, Backup (Option 1 Only)	1
22	68-62793-00	Bracket, Filter Drier	1
23	34-01266-20	Screw, Hex Head, Slotted, Sems, M6 X 20 MM	22
24	34-06214-04	Washer, Fender, 1/4, SST (Option 3 Only)	1
25	34-62021-00	Rivet, Blind, Dome Head, 3/16 Dia., Grip Range: .126 - .250	14
26	34-06051-104	Rivnut, M6 X 1 (.028 -.165) Steel	2
27	68-62796-00	Bracket, Tube Support	1



12.1 REFRIGERATION KIT - EVAPORATOR - OPTION 1 & OPTION 3 - Continued:

Based On Kit Number RS 77-62148-00 G
Based On Kit Number RS 77-62148-05 H



Item	Part Number	Description	Qty
28	58-00065-44	Grommet 1.38 ID X 1.62 Hole X .09 Inch Groove	2
29	68-62492-02	Plate, Support, Liquid Hose, Brass	1
30	40-62032-01	Nut, Swivel Fitting, 5/8 X 7/8-14 M.I.O.	1
31	56-62188-00	Tube, Bent, Liquid, 5/8 OD X .040W Copper	1
32	81-62086-01	Tube Assembly, Suction - Includes:	1
	56-62186-01	...Tube, Bent, Suction, 1-1/8 OD X .050W Copper	1
	40-00491-01	...Fitting, ORS, 1-1/8 X 1-11/16-12	1
	40-01124-00	...Body, Valve, Schrader, Brass, 1/4 SAE Flare - Includes:	2
	14-00351-00 Core, Valve, Schrader (Nickel Plated)	1
	DD19CA061 Cap, Seal, Flare, 1/4 Inch	1

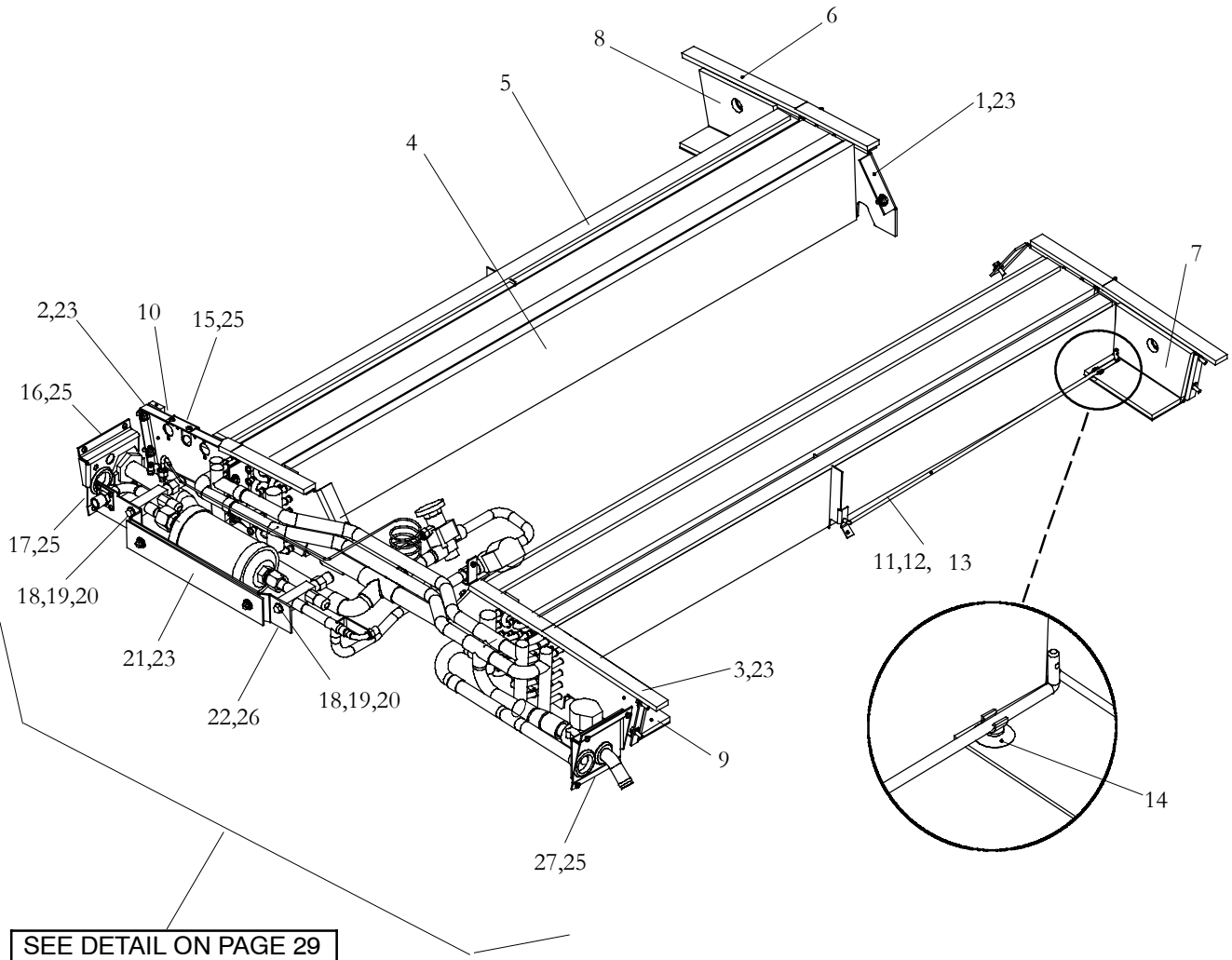


12.1 REFRIGERATION KIT - EVAPORATOR - OPTION 1 & OPTION 3 - Continued:			
33	34-06088-01	Nut, Hex Head, ORS 1-1/8 X 1.69-12, Plated Steel	1
34	40-00501-03	Valve, King, Brass, 5/8 ODF - Includes:	2
35	40-00501-50	...Cap, King Valve, Service Part	1
36	40-00520-01	Coupling, High Pressure Side, W/Cap	2
37	40-00503-04	Collar, Tube - 5/8 ORS, Nickel Plated Steel	1
38	34-06121-04	Nut, Hex, ORS, (1-3/16-12 Threads)	1
39	40-00503-03	Collar, Tube - 5/8 ORS, Brass	1
40	34-06121-03	Nut, Hex, ORS Braze, (1"-14 Threads)	1
41	56-00143-104	Tube, Straight, 5/8 OD X .040W Copper X 3.17 Inches Long	1
42	40-00169-06	Tee, Reducing, 5/8 ODS X 1/2 ODS X 5/8 ODS	1
43	40-00090-04	Fitting, Reducer, 1/2 ODM X 3/8 ODS	1
44	56-62189-02	Tube, Bent, 5/8 OD X .040W Copper	1
45	68-63358-00	Bracket Assembly, Tube Support	1
46	56-62285-00	Tube, Bent, Liquid, 3/8 OD X .022W Copper	1
47	40-62032-03	Fitting, Braze - ORS 5/8- 18 Thread, 3/8	1
48	40-62061-00	Fitting, Blockoff, #6 ORS with 5/8-18 nut	1
49	40-00072-09	Elbow, Street, 90 Degree, 1-1/8 ODM X 1-1/8 ODS	1
50	56-62244-00	Tube, Liquid, 7/8 OD X .045W Copper	2
51	40-00168-07	Tee, 7/8 ODS	2
52	81-62118-01	Tube Assembly, Heater, 7/8 OD X .045W Copper	1
53	56-62246-00	Tube, Liquid, 7/8 OD X .045W Copper	1
54	58-60039-08	Hose, Coolant, .25 MM ID X 180 MM Long	1
55	44-00045-02	Clamp, Hose, Worm Type (11/16 - 1-1/4)	2
56	14-00194-03	Valve, Solenoid, Coolant, 7/8 OD With Bead - Includes:	1
	14-01110-02	...Coil, Solenoid, 24 VDC	1
57	58-00065-08	Grommet, .88 ID X 1.25 Hole X .06 Inch Groove	1
58	14-00236-00	Valve, Solenoid, 5/8 ODF X 7/8 ODM, (Normally Closed) Includes:	1
	14-00236-52	...Coil, Solenoid Valve, 24 VDC	1
	14-00236-51	...Repair Kit, Solenoid Valve	1
59	56-62183-02	Tube, Bent, Liquid, 5/8 OD X .040W Copper	1
60	34-00373-07	Clamp, Tube, 5/8 OD, SST	1
61	14-00316-00	Valve, Expansion, TXV, 5/8 ODF, (R134a)	1
62	14-00026-04	Indicator, Liquid & Moisture, 5/8 ODF	1
63	56-00143-12	Tube, Straight, 5/8 OD X .040W Copper X 2 Inches Long	1
64	56-62286-00	Tube, Straight, 7/8 OD X .045W Copper X 2 Inches Long	1
65	56-62187-00	Tube Assembly, Equalizer, 1/8 OD X .030W Capillary	1
66	14-00320-00	Filter Drier, 7/8 In. ORS Inlet, 3/4 In. ORS Outlet (41 Cu. In.)-Includes:	1
	42-00243-11	...O-Ring, .739 ID X .070 Thick	1
	42-00243-03	...O-Ring, .614 ID X .070 Thick	1
67	56-00143-75	Tube, Straight, 5/8 OD X .040W Copper X 1-5/8 Inches Long	2
68	34-01184-04	Nut, Lock, Nylon Insert, M4	1
69	34-01151-04	Washer, Flat, M4, SST	1
70	34-01197-10	Screw, Hex Head, M4 X 10 MM, SST	1
71	34-00945-04	Washer, Split Lock, M4	1
72	AC801-201	"O" Ring, 0.301 ID x 0.07 Thick	1



12.2 REFRIGERATION KIT - EVAPORATOR - OPTION 2

Based On Kit Number CS 77-62148-01 G



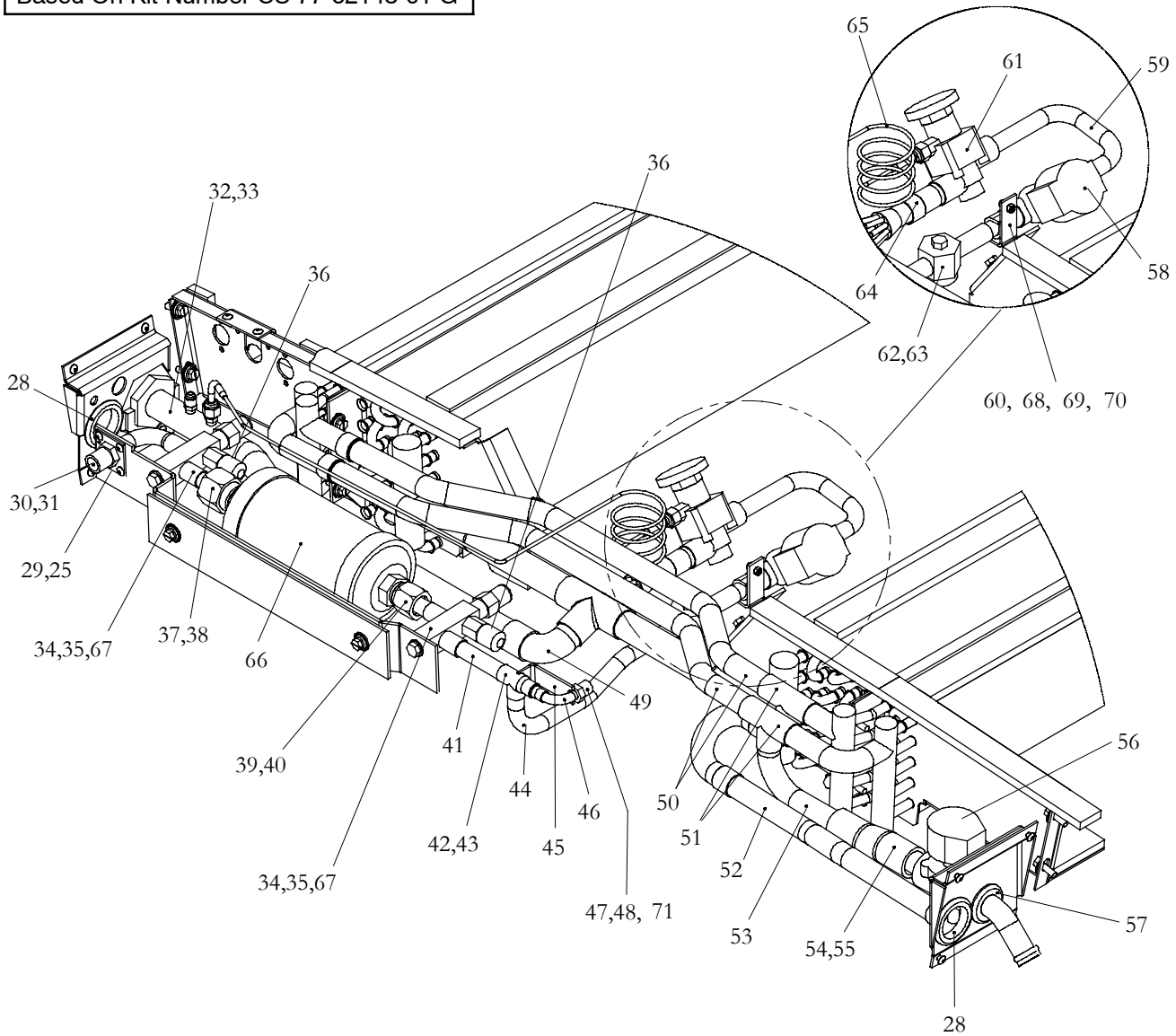


12.2 REFRIGERATION KIT - EVAPORATOR - OPTION 2 - Continued:			
Item	Part Number	Description	Qty
1	08-62044-00	Coil Assembly, Evaporator, (Roadside & Curbside)	1
2	08-62053-00	Coil Assembly, Heater, Evaporator, (Curbside)	1
3	08-62053-01	Coil Assembly, Heater, Evaporator, (Roadside)	1
4	42-62045-01	Insulation, Coil, .75 Thick X 6.25 X 55.19 Inches Long	2
5	42-00221-12	Gasket, Foam, 1.25 Thick X1.00 X 55.19 Inches, Adhesive Backed	4
6	42-00221-13	Gasket, Foam, 1.25 Thick X1.00 X 18.00 Inches, Adhesive Backed	4
7	42-62106-01	Insulation, Tube Sheet, Neoprene, Adhesive Backed	1
8	42-62106-02	Insulation, Tube Sheet, Neoprene, Adhesive Backed	1
9	42-62106-03	Insulation, Tube Sheet, Neoprene, Adhesive Backed	1
10	42-62106-00	Insulation, Tube Sheet, Neoprene, Adhesive Backed	1
11	73-62005-01	Rod, Support, SST	1
12	73-62006-00	Pin, Cotter, Hair Pin	2
13	73-62005-03	Rod, Support, SST	1
14	58-62126-00	Clip, Rod Support	2
15	68-63250-00	Bracket, Harness	1
16	68-62797-01	Bracket, Tube Support	1
17	86-62319-01	Bracket Assembly, Tube Support	1
18	34-00303-04	Screw, Cap, Hex Head, 5/16-24 X 1/2 Inch Long	2
19	34-00588-12	Washer, Plain, 5/16, SAE	2
20	34-00368-12	Washer, Lock, Split, 5/16, Steel	2
21	68-62802-00	Plate, Backup	1
22	68-62793-00	Bracket, Filter Drier	1
23	34-01266-20	Screw, Hex Head, Slotted, Sems, M6 X 20 MM	22
24	34-62021-00	Rivet, Blind, Dome Head, 3/16 Dia., Grip Range: .126 - .250	14
25	34-06051-104	Rivnut, M6 X 1 (.028 -.165) Steel	2
26	68-62796-01	Bracket, Tube Support	1



12.2 REFRIGERATION KIT - EVAPORATOR - OPTION 2 - Continued:

Based On Kit Number CS 77-62148-01 G



Item	Part Number	Description	Qty
27	58-00065-44	Grommet 1.38 ID X 1.62 Hole X .09 Inch Groove	2
28	68-62492-02	Plate, Support, Liquid Hose, Brass	1
29	40-62032-01	Nut, Swivel Fitting, 5/8 X 7/8-14 M.I.O.	1
30	56-62188-00	Tube, Bent, Liquid, 5/8 OD X .040W Copper	1
31	81-62086-00	Tube Assembly, Suction - Includes:	1
	56-62186-00	...Tube, Bent, Suction, 1-1/8 OD X .050W Copper	1
	40-00491-01	...Fitting, ORS, 1-1/8 X 1-11/16-12	1
	40-01124-00	...Body, Valve, Schrader, Brass, 1/4 SAE Flare - Includes:	2
	14-00351-00 Core, Valve, Schrader (Nickel Plated)	1
	DD19CA061 Cap, Seal, Flare, 1/4 Inch	1

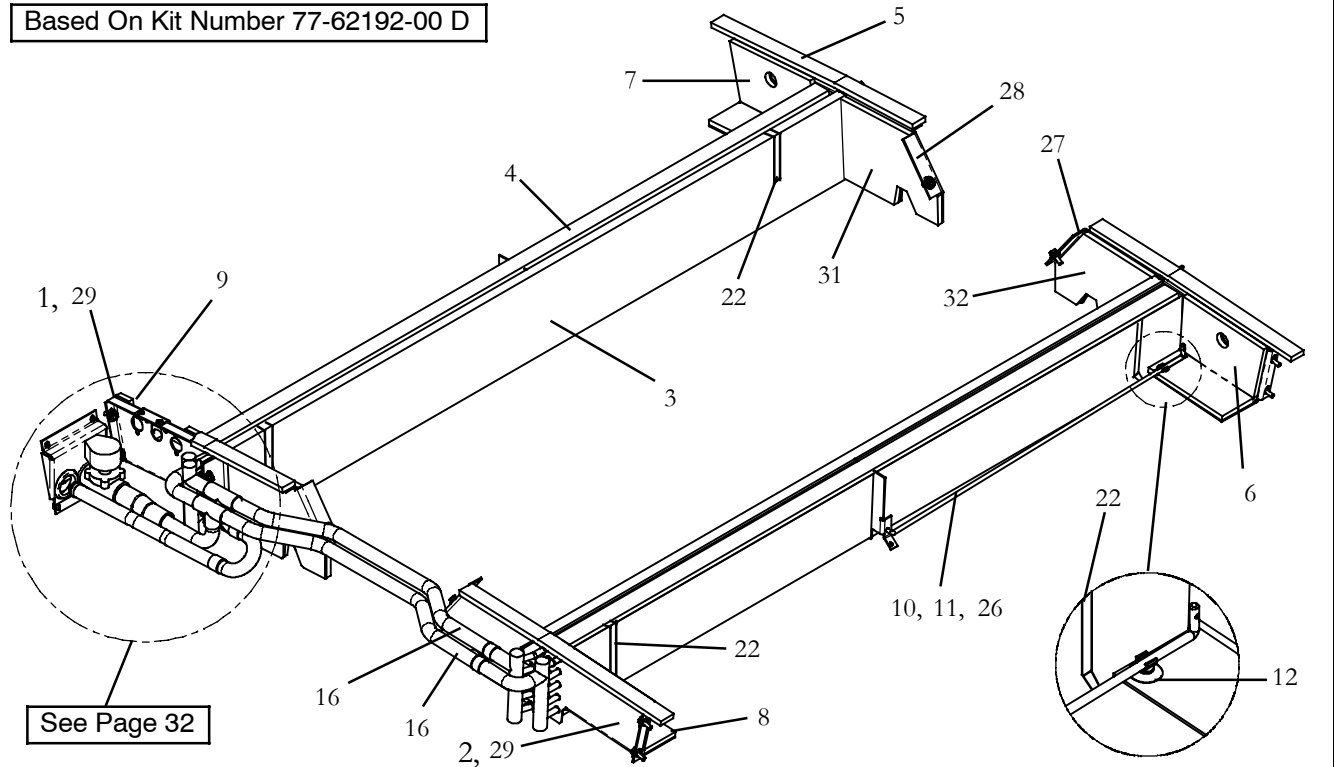


12.2 REFRIGERATION KIT - EVAPORATOR - OPTION 2 - Continued:			
32	34-06088-01	Nut, Hex Head, ORS 1-1/8 X 1.69-12, Plated Steel	1
33	40-00501-03	Valve, King, Brass, 5/8 ODF - Includes:	2
34	40-00501-50	...Cap, King Valve, Service Part	1
35	40-00520-01	Coupling, High Pressure Side, W/Cap	2
36	40-00503-04	Collar, Tube - 5/8 ORS, Nickel Plated Steel	1
37	34-06121-04	Nut, Hex, ORS, (1-3/16-12 Threads)	1
38	40-00503-03	Collar, Tube - 5/8 ORS, Brass	1
39	34-06121-03	Nut, Hex, ORS Braze, (1"-14 Threads)	1
40	56-00143-104	Tube, Straight, 5/8 OD X .040W Copper X 3.17 Inches Long	1
41	40-00169-06	Tee, Reducing, 5/8 ODS X 1/2 ODS X 5/8 ODS	1
42	40-00090-04	Fitting, Reducer, 1/2 ODM X 3/8 ODS	1
43	56-62189-02	Tube, Bent, 5/8 OD X .040W Copper	1
44	68-63358-00	Bracket Assembly, Tube Support	1
45	56-62285-00	Tube, Bent, Liquid, 3/8 OD X .022W Copper	1
46	40-62032-03	Fitting, Braze - ORS 5/8- 18 Thread, 3/8	1
47	40-62061-00	Fitting, Blockoff, #6 ORS with 5/8-18 nut	1
48	40-00072-09	Elbow, Street, 90 Degree, 1-1/8 ODM X 1-1/8 ODS	1
49	56-62244-01	Tube, Liquid, 7/8 OD X .045W Copper	2
50	40-00168-07	Tee, 7/8 ODS	2
51	81-62118-00	Tube Assembly, Heater, 7/8 OD X .045W Copper	1
52	56-62246-00	Tube, Liquid, 7/8 OD X .045W Copper	1
53	58-60039-08	Hose, Coolant, .25 MM ID X 180 MM Long	1
54	44-00045-02	Clamp, Hose, Worm Type (11/16 - 1-1/4)	2
55	14-00194-03	Valve, Solenoid, Coolant, 7/8 OD With Bead - Includes:	1
	14-01110-02	...Coil, Solenoid, 24 VDC	1
56	58-00065-08	Grommet, .88 ID X 1.25 Hole X .06 Inch Groove	1
57	14-00236-00	Valve, Solenoid, 5/8 ODF X 7/8 ODM, (Normally Closed) Includes:	1
	14-00236-52	...Coil, Solenoid Valve, 24 VDC	1
	14-00236-51	...Repair Kit, Solenoid Valve	1
58	56-62183-02	Tube, Bent, Liquid, 5/8 OD X .040W Copper	1
59	34-00373-07	Clamp, Tube, 5/8 OD, SST	1
60	14-00316-00	Valve, Expansion, TXV, 5/8 ODF, (R134a)	1
61	14-00026-04	Indicator, Liquid & Moisture, 5/8 ODF	1
62	56-00143-12	Tube, Straight, 5/8 OD X .040W Copper X 2 Inches Long	1
63	56-62286-00	Tube, Straight, 7/8 OD X .045W Copper X 2 Inches Long	1
64	56-62187-00	Tube Assembly, Equalizer, 1/8 OD X .030W Capillary	1
65	14-00320-00	Filter Drier, 7/8 In. ORS Inlet, 3/4 In. ORS Outlet (41 Cu. In.)-Includes:	1
	42-00243-11	...O-Ring, .739 ID X .070 Thick	1
	42-00243-03	...O-Ring, .614 ID X .070 Thick	1
66	56-00143-75	Tube, Straight, 5/8 OD X .040W Copper X 1-5/8 Inches Long	2
67	34-01184-04	Nut, Lock, Nylon Insert, M4	1
68	34-01151-04	Washer, Flat, M4, SST	1
69	34-01197-10	Screw, Hex Head, M4 X 10 MM, SST	1
70	34-00945-04	Washer, Split Lock, M4	1
71	AC801-201	"O" Ring, 0.301 ID x 0.07 Thick	1



12.3 REFRIGERATION KIT - EVAPORATOR ONLY HEATER KIT - OPTION 4

Based On Kit Number 77-62192-00 D

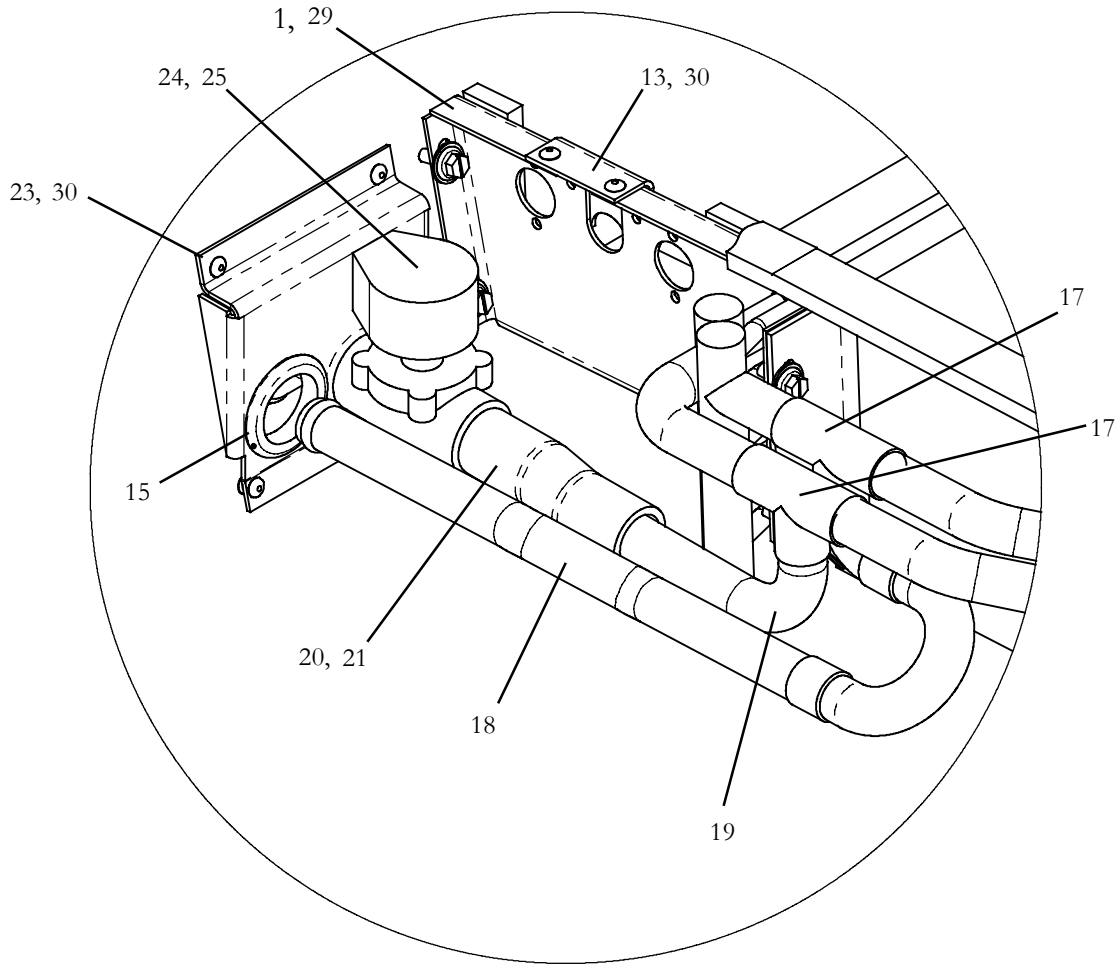


See Page 32

1	08-62053-00	Coil Assembly, Heater, Evaporator	1
2	08-62053-01	Coil Assembly, Heater, Evaporator	1
3	38-00603-01	Filter, Air (RF313)	2
4	42-00221-12	Gasket, Foam, 1.25 Thick X 1.00 X 55.19 Inches, Adhesive Backed	2
5	42-00221-13	Gasket, Foam, 1.25 Thick X 1.00 X 18.00 Inches, Adhesive Backed	4
6	42-62106-01	Insulation, Tube Sheet, Neoprene, Adhesive Backed	1
7	42-62106-02	Insulation, Tube Sheet, Neoprene, Adhesive Backed	1
8	42-62106-03	Insulation, Tube Sheet, Neoprene, Adhesive Backed	1
9	42-62106-00	Insulation, Tube Sheet, Neoprene, Adhesive Backed	1
10	73-62005-01	Rod, Support, SST	1
11	73-62006-00	Pin, Cotter, Hair Pin	2
12	58-62126-00	Clip, Rod Support	2
13	68-63250-00	Bracket, Harness	1
14	68-62796-02	Bracket, Tube Support	1
15	58-00065-44	Grommet, 1.38 x 1.62 Hole x .09 Inch Groove	1
16	56-62244-00	Tube, Liquid, 7/8 OD x .045w CU	2
17	40-00168-07	Tee, 7/8 ODS	2
18	81-62118-01	Tube Assembly, Heater, 7/8 OD x .045 CU	1
19	56-62246-00	Tube, 7/8 OD x .045W CU	1
20	AC301-244	Hose, Coolant, .875 ID x 50 Feet Roll	1
21	44-00045-02	Clamp, Hose, Worm Type (11/16 - 1-1/4)	2
22	68-63784-00	Bracket, Coil	4



12.3 REFRIGERATION KIT - EVAPORATOR ONLY HEATER KIT - OPTION 4 - Continued:



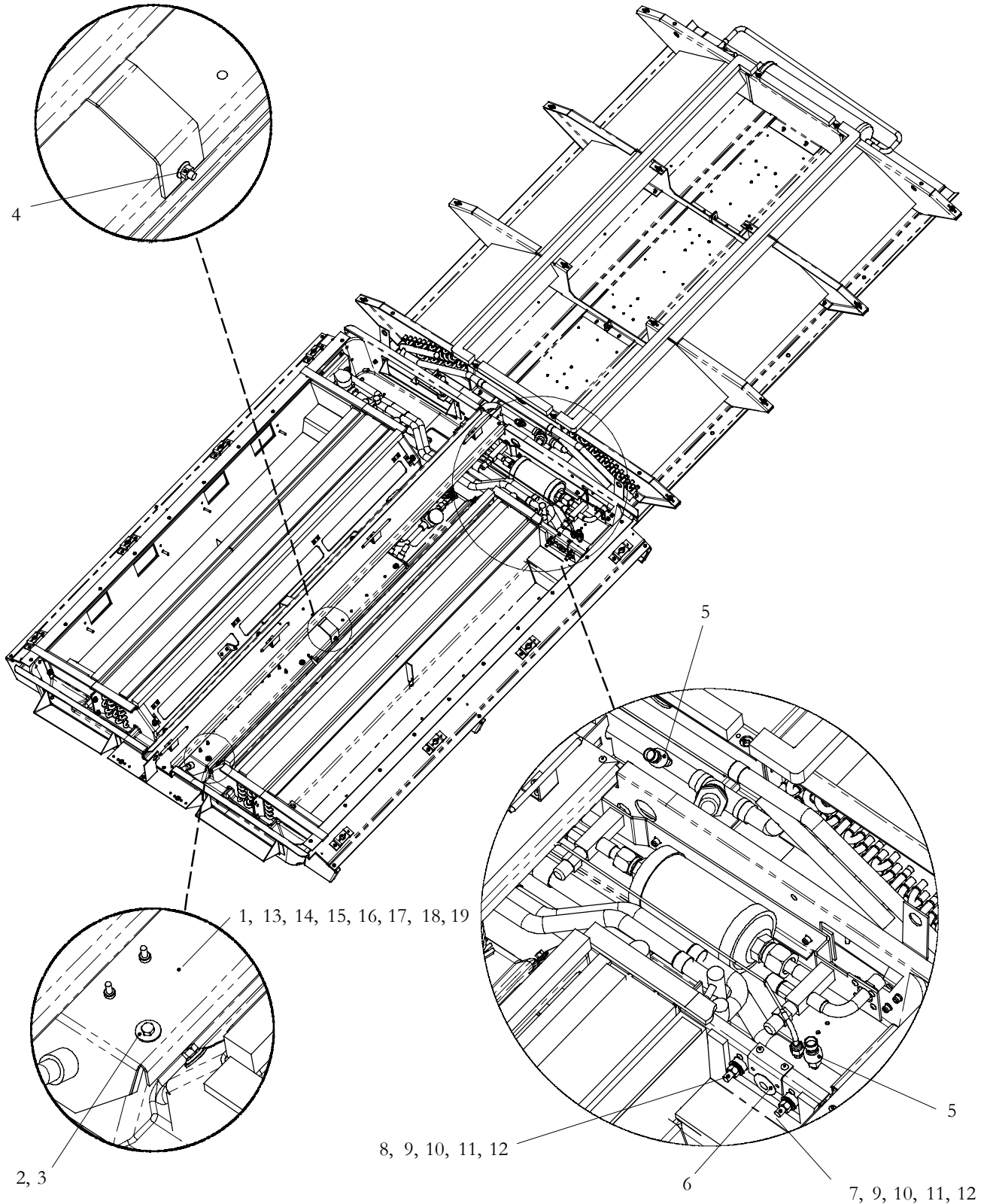
Based On Kit Number 77-62192-00 D

23	68-62796-00	Bracket, Tube Support	1
24	14-00194-03	Valve, Solenoid, Coolant, 7/8 OD With Bead - Includes:	1
24A	14-01110-02	...Coil, Solenoid, 24 VDC	1
25	58-00065-08	Grommet, .88 ID x 1.25 Hole x .06 Inch Groove	1
26	73-62005-03	Rod, Support, SST	1
27	68-63679-00	Bracket, Coil	2
28	68-63679-01	Bracket, Coil	2
29	34-01266-20	Screw, Hex Head, Slotted, Sems, M6 x 20MM	20
30	34-62021-00	Rivet, Blind, Dome Head, 3/16 Dia., Grip Range: .126-.250	10
31	42-62130-00	Insulation, Neoprene, Black, Adhesive Backed	2
32	42-62130-01	Insulation, Neoprene, Black, Adhesive Backed	2



13 CONTROLLER KIT, MICROMAX - OPTION 1

Based On Kit Number 77-62117-00 B

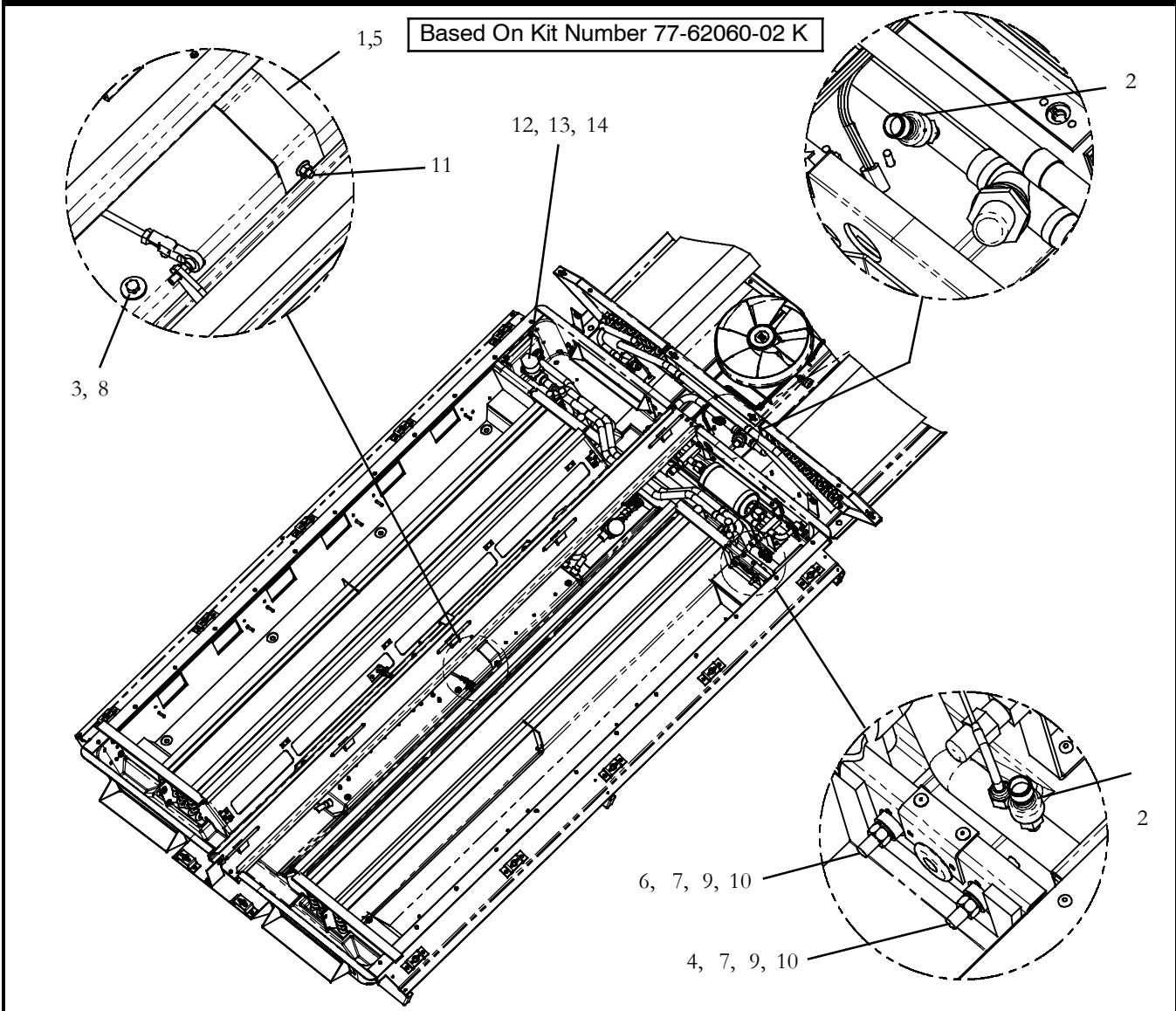




13 CONTROLLER KIT, MICROMAX -OPTION 1 - Continued:			
Item	Part Number	Description	Qty
1	91-62054-00	Control Panel Assembly, Micro Max, DC Motors (See Section 14)	1
2	34-60000-16	Screw, Hex Head, M5 X 16MM Long, SST	6
3	34-60095-46	Washer, Lock, M6 X 18MM O.D., SST	6
4	34-60089-05	Nut, Lock, Twolock, M5	2
5	12-00352-00	Transducer, Pressure, 5 VDC	2
6	58-00065-26	Grommet, .75D X 1.06, .06 Inch Groove	1
7	22-62180-01	Block Junction, Stud Type, 3/8-16 Thread, (Red)	1
8	22-62180-00	Block, Junction, Stud Type, 3/8-16 Thread, (Black)	1
9	34-00829-13	Washer, Plain, SAE, 3/8, SST	4
10	34-00371-13	Washer, Lock, Internal Tooth, 3/8, Steel	4
11	34-00666-13	Nut, Hex, 3/8-16, SST	4
12	34-62021-01	Rivet, Blind, , Dome Head, 3/16., Grip Range: .250 - .375	4
13	34-00667-09	Nut, Self Locking, #10-24, SST	2
14	34-00662-09	Washer, Plain, #10 Medium, .032 Thick, SST	2
15	34-00300-06	Screw, Cap, Hex Head, 1/4-20 X .75 Inch Long	4
16	34-00363-11	Nut, Hex, 1/4-20	4
17	34-00588-11	Washer, Plain, 1/4 SAE, .065 Thick	4
18	34-00368-11	Washer, Lock, 1/4 Spring	4
19	58-00079-02	Sta-Strap, 0-1.75 Inch Dia. Cable	4



13.1 CONTROLLER KIT - 05G MICROMAX BELIMO, TWO SPEED - OPTION 2

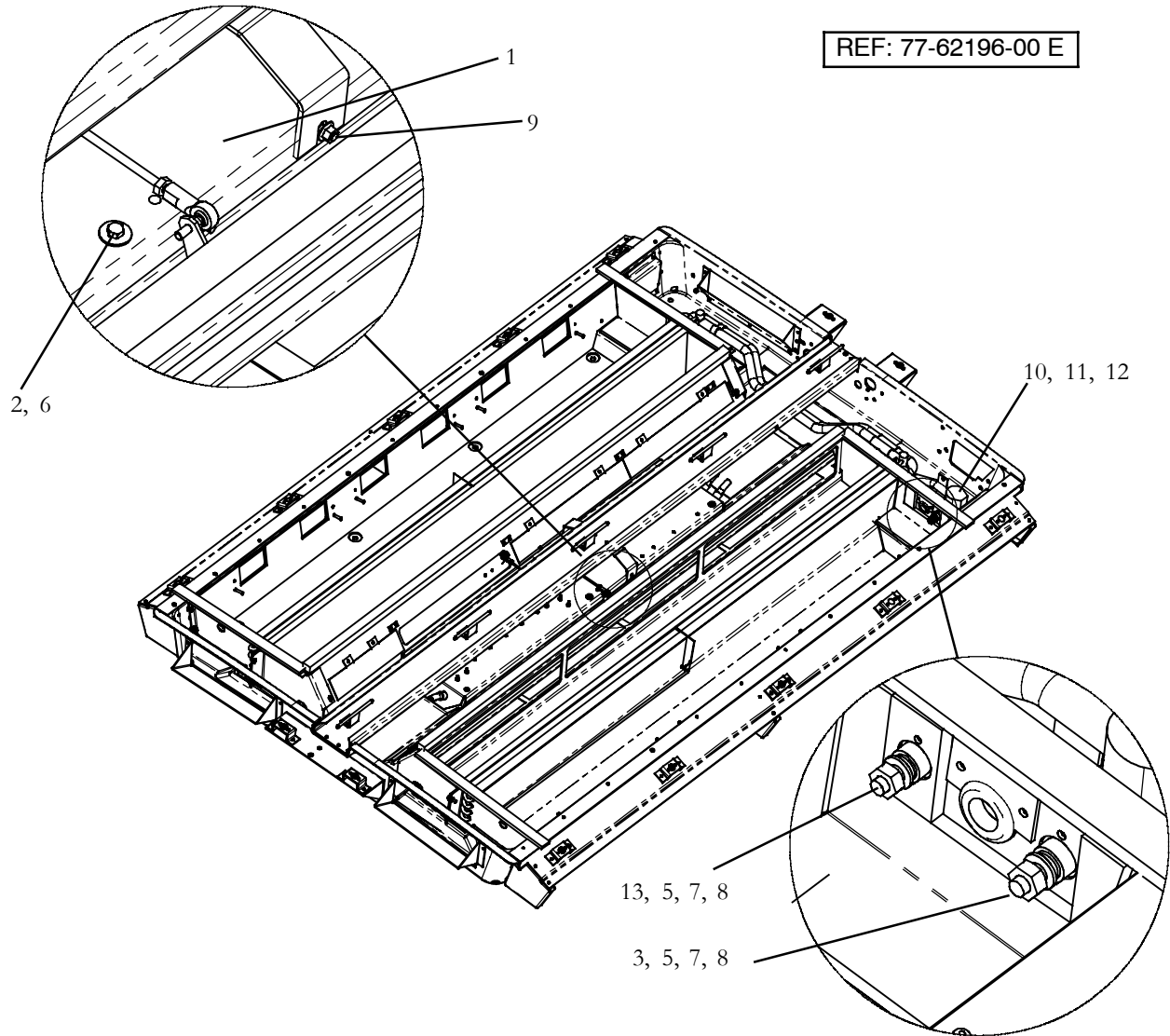


Item	Part Number	Description	Qty
1	91-62054-00	Control Panel Assembly, Micromax (See Section 14)	1
2	12-00352-00	Transducer, Pressure, 5 VDC	2
3	34-60000-16	Screw, Hex Head, M5 x 16MM Long, SST	6
4	22-62180-01	Block, Junction, Stud Type, 3/8-16 Thread (Red)	1
5	66U1-3882	Wire Tie, Self-Locking, 7.00 Inched, Black	4
6	34-62021-01	Rivet, Blind, Dome Head, 3/16 Dia., Grip Range: .250-.375	4
7	22-62180-00	Block, Junction, Stud Type, 3/8-16 Thread (Black)	1
8	34-60095-46	Washer, Lock, M6 x 18MM O.D., SST	6
9	34-00944-10	Washer, Flat, M10	4
10	34-00946-60	Nut, Hex, M10-1.50, SST	6
11	34-60089-05	Nut, Lock, M5	2
12	22-02392-00	Connector, 2 Pin, Black	1
13	22-02393-01	Terminal, Male (18-20 AWG)	2
14	22-02394-01	Seal, Cable, Blue	2



13.2 CONTROLLER KIT - MULTIPLEX - HEAT ONLY - OPTION 3

REF: 77-62196-00 E

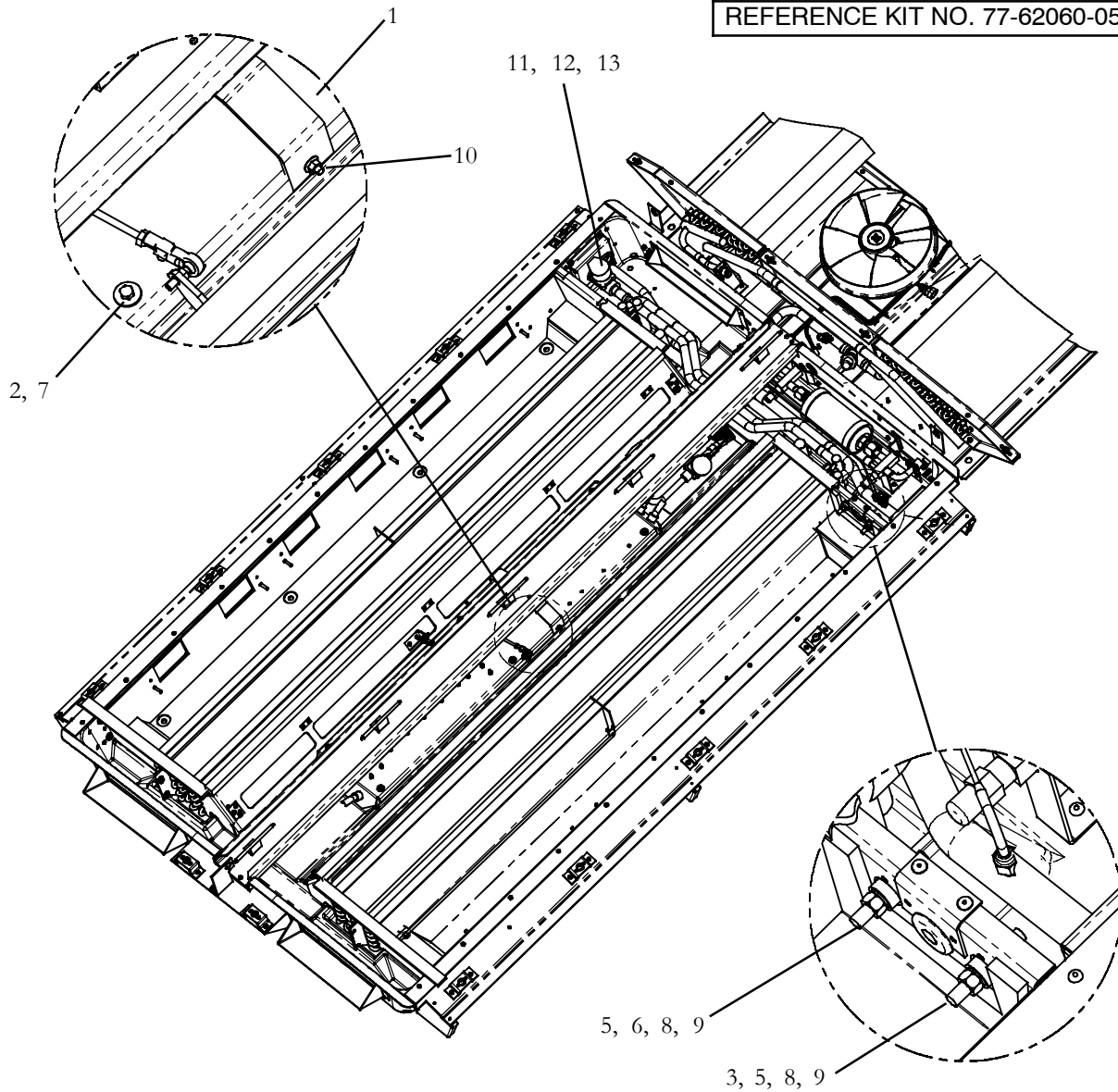


Item	Part Number	Description	Qty
1	91-62078-00	Control Panel Assembly, Heat Only, Multiplex (See Section 14.1)	1
	91-62092-00	Control Panel Assembly, Heat Only, Multiplex (See Section 14.2)	1
2	34-60000-16	Screw, Hex Head, M5 x 16MM Long, SST	6
3	22-62180-00	Block, Junction, Stud Type, 3/8-16 Thread, Black	1
4	66U1-3882	Wire Tie, Self-Locking, 7.00 Inches, Black	4
5	34-62021-01	Rivet, Blind, Dome Head, 3/16 Dia., Grip Range: .250-.375	4
6	34-60095-46	Washer, Lock, M6 x 18MM O.D., SST	6
7	34-00944-10	Washer, Flat, M10	4
8	34-00946-60	Nut, Hex, M10-1.50, SST	6
9	34-60089-05	Nut, Lock, M5	2
10	22-02392-00	Connector, 2 Pin, Black	1
11	22-02393-01	Terminal, Male (18-20 AWG)	2
12	22-02394-01	Seal, Cable, Blue	2
13	22-62180-01	Block, Junction, Stud Type, 3/8-16 Thread, Red	1



13.3 CONTROLLER KIT - 05G MICROMAX, NO TRANSDUCERS - OPTION 4

REFERENCE KIT NO. 77-62060-05 K



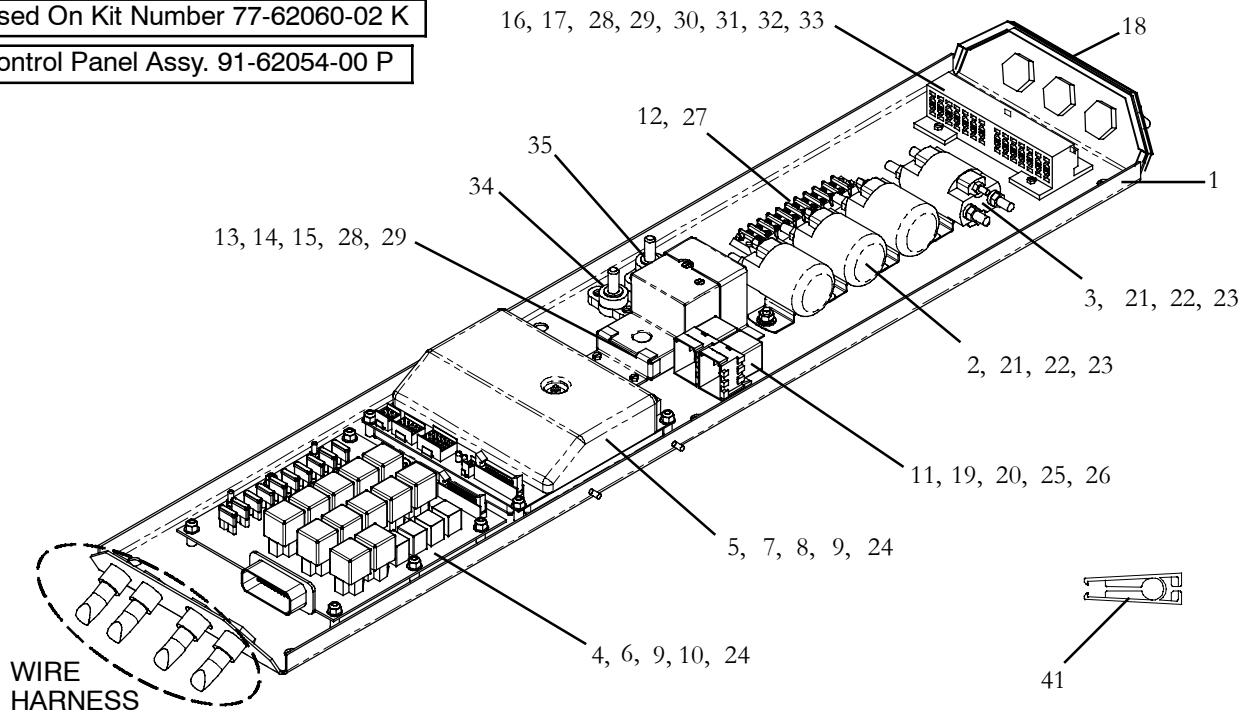
Item	Part Number	Description	Qty
1	91-62080-00	Control Panel Assembly, Heat Only, Multiplex (See Section 14.3)	1
2	34-60000-16	Screw, Hex Head, M5 x 16MM Long, SST	6
3	22-62180-01	Block, Junction, Stud Type, 3/8-16 Thread, (Red)	1
4	66U1-3882	Wire Tie, Self-Locking, 7 Inches, Black	4
5	34-62021-01	Rivet, Blind, Dome Head, 3/16 Dia., Grip Range: .250-.375	4
6	22-62180-00	Block, Junction, Stud Type, 3/8-16 Thread (Black)	1
7	34-60095-46	Washer, Lock, M6 x 18MM O.D., SST	6
8	34-00944-10	Washer, Flat, M10	4
9	34-00946-60	Nut, Hex, M10-1.50, SST	6
10	34-60089-05	Nut, Lock, M5	2
11	22-02392-00	Connector, 2 pin, Black	1
12	22-02393-01	Terminal, Male (18-20 AWG)	2
13	22-02394-01	Seal, Cable, Blue	2



14 CONTROL PANEL ASSEMBLY - MICROMAX DC MOTORS - OPTION 1 & 2

Based On Kit Number 77-62060-02 K

Control Panel Assy. 91-62054-00 P



Item	Part Number	Description	Qty
...	91-62054-00	Control Panel Assembly, Micromax Belimo, DC Motors - Includes:	1
1	68-63750-00	...Panel, Mounting	1
2	10-00300-02	...Contactor, 28 VDC, SPNO	3
3	10-00300-07	...Contactor, 28 VDC, SPDT	1
4	12-00486-01	...Relay Board - Includes:	1
	10-00286-11Relay, 24 VDC, 40 Amp, SPDT	11
	22-02336-02Fuse, 5 Amp (F2 thru F9)	8
	22-02336-08Fuse, 7.5 Amp (F1)	1
	22-02336-06Fuse, 15 Amp (F10)	1
5	10-00286-12Relay, 24 VDC, 40 Amp, SPDT (K-13)	1
	12-00392-15	...Module, Logic Controller, 24 VDC (300 PSI) - Includes:	1
	22-50236-00Harness, Ribbon Cable, 26 Pin (Logic Module To Relay Board)	1



14 CONTROL PANEL ASSEMBLY - MICROMAX DC MOTORS - OPTION 1 & 2 (Continued)			
Item	Part Number	Description	Qty
6	22-62172-00	...Wire Harness, Micro Max, DC Motors - Includes:	1
	22-50098-16Connector, Plug Assembly, 35 Position (JA)	1
	22-50138-00Connector, Female, 4 Position (JB)	1
	22-50144-00Connector, 4 Position (J1)	1
	22-50145-00Connector, 4 Position (J2)	1
	22-50146-00Connector, 9 Position (J3)	1
	22-50143-00Connector, 15 Position (J4)	1
	CM983-618Connector, 24 Position (J6)	1
	22-50148-00Terminal, Female (JB)	3
	22-50098-19Terminal, Socket, Female (JA)	24
	22-50153-00Terminal, Socket, Female (J1)	2
	22-50152-00Terminal, Socket, Female (J2, J3, J4, J6))	20
	22-50252-00Terminal, Female (Actuator Motor)	2
7	12-00495-02SV	...Thermistor Sensor Kit, Ambient Air (Replacement For 12-00305-04)	1
8	34-62000-00	...Spacer, Nylon	10
9	58-00511-08	...Washer, Nylon, Flat, 0.031 Thick x 0.22 ID X 0.50 OD	10
10	42-62005-00	...Gasket, Relay Board, Foam	1
11	10-00286-09	...Relay, 24 VDC, 40 Amp, SPDT	2
12	22-01563-02	...Block, Terminal, 10 Poles #6-32 X 1/4 Inch Long	1
13	HF23BJ039	...Actuator, Motor, Non-Spring Return (Old Style)	1
	54-00635-00	...Actuator, Motor, Non-Spring Return (New Style)	1
14	68-63332-00	...Bracket, Mounting, Actuator	1
15	68-63333-00	...Bracket, Mounting, Actuator (Old Style)	1
	68-63762-00	...Bracket, Mounting, Actuator (New Style)	1
16	22-62036-00	...Holder, Fuse	2
17	22-62038-00	...Bracket, Mounting, Fuse Holder	1
18	42-00221-09	...Gasket, Foam, .25 X 106.00 Inches, Adhesive Backed	1
19	AC201-901	...Connector, Relay Socket	2
20	AC201-931	...Lock, Connector, Relay	2
21	34-00666-11	...Nut, Hex, 1/4-20 Inch, SST	5
22	34-06212-12	...Washer, Plain, Type A, 1/4	5
23	34-00663-11	...Washer, Split Lock, 1/4 Zinc	5
24	34-00361-61	...Nut, Self-Locking, 1/4 Zinc	4
25	66U1-5371	...Screw, Hex Head, Slotted, #8-32 x 1/2 Inch Long, SST	2
26	34-00664-08	...Washer, Lock, Internal Tooth, #8	4
27	66U1-5371-5	...Screw, Hex Head, Slotted, #8-32 x 3/4 Inch Long, SST	2
28	34-00664-09	...Washer, Lock, Internal Tooth, #10	8
29	34-06069-04	...Screw, Hex Head, Slotted, #10-32 x 1/2 Inch Long, SST	8
30	22-62039-01	...Lock, Secondary, Fuse Holder	24
31	22-62040-00	...Lock, Secondary Wedge, Fuse Holder	1
32	62-62074-00	...Label, Fuse Identification (F11 Thru F16)	1
33	62-62074-01	...Label, Fuse Identification (F17 Thru F22)	1
34	22-50098-91	...Junction Block, 3/8-16 Stud, Red	1
35	22-50098-91A	...Junction Block, 3/8-16, Stud, Black	1

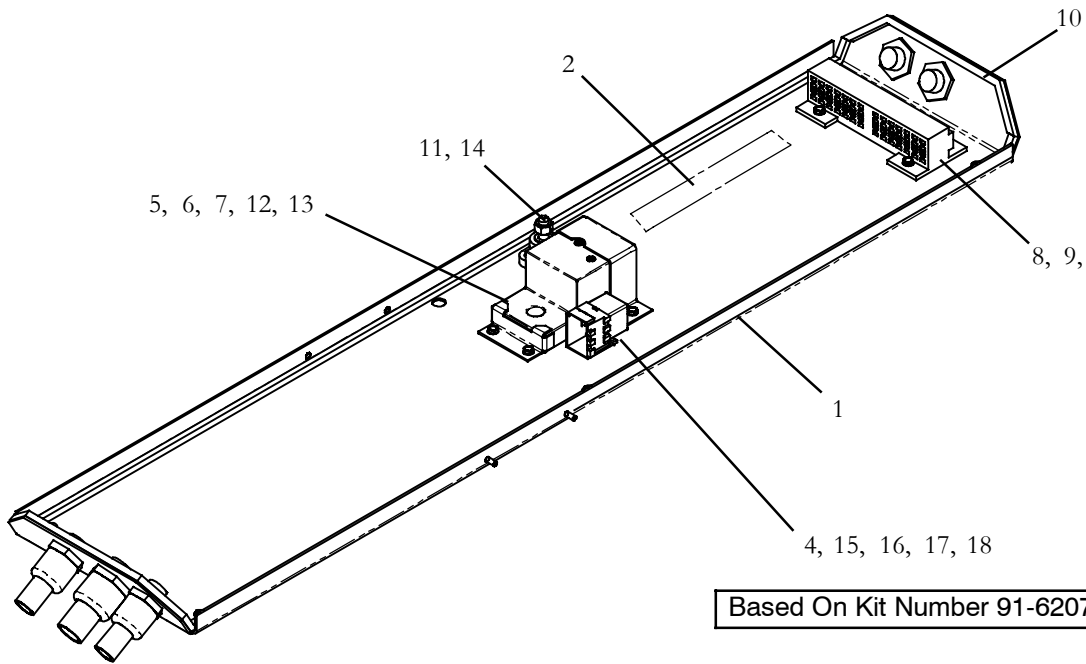


Mobile Climate Control

36	22-62307-02	...Connector, Liquid Tight, 1/2 Black	8
37	22-62307-04	...Connector, Liquid Tight, 3/4 Black	1
38	58-00616-18	...Plug, Hole, 3/4 Black	1
39	22-01585-03	...Connector, Male, 6 Pin, Black	1
40	22-02392-02	...Connector, Female, 6 Pin, Black	1
41	22-02336-50	Tool, Fuse Removal	1



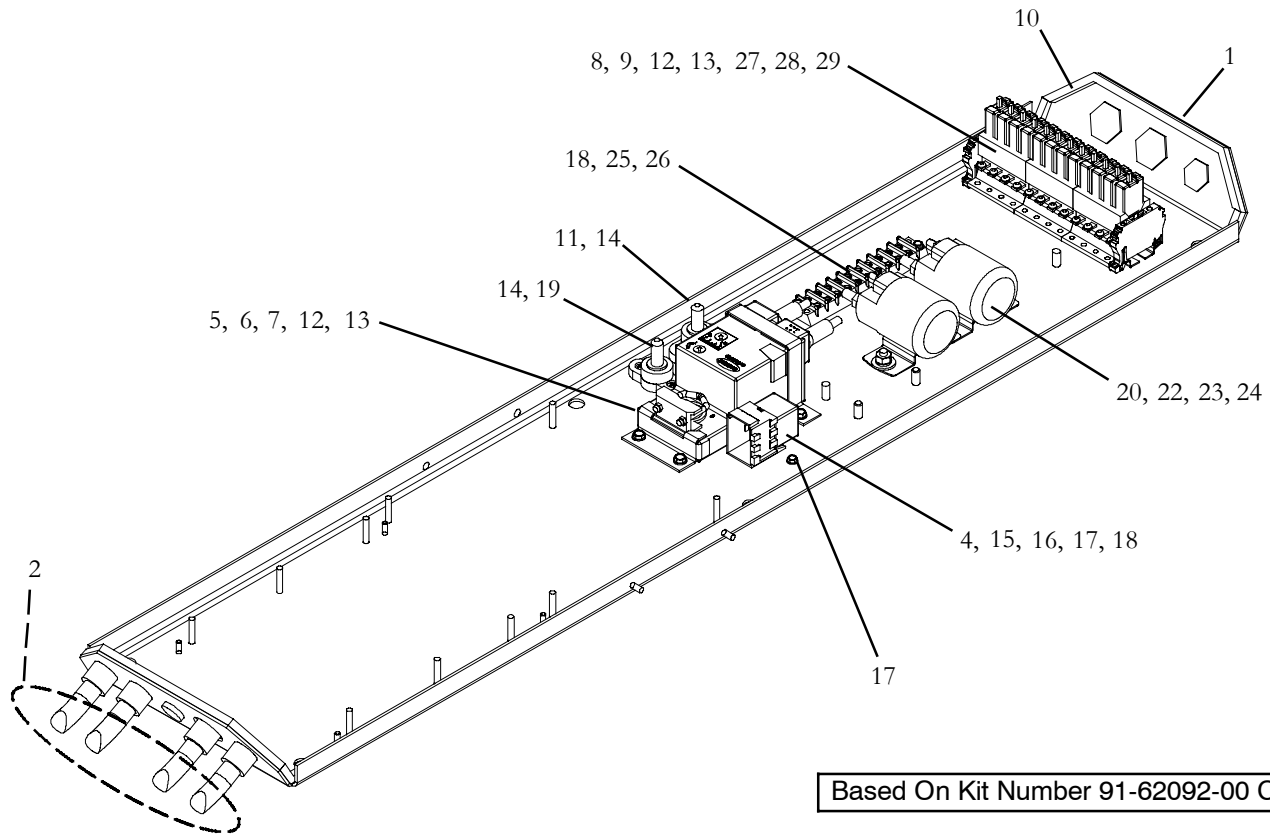
14.1 CONTROL PANEL ASSEMBLY, MULTIPLEX HEAT ONLY - OLD - OPTION 3



Item	Part Number	Description	Qty
...	91-62078-00	Control Panel Assy., Multiplex, Heat Only - Includes: (Rev.B)	1
1	68-63692-00	...Panel, Mounting	1
2	22-62253-00	...Wire Harness, Multiplex - Includes:	1
2A	22-50351-00Terminal, With Spring Clip (14-16 AWG)	24
2B	22-01566-00Terminal, Socket, Female, (14-16 AWG)	20
2C	AC201-225Terminal, Female, (14 AWG)	2
2D	22-02430-01Terminal, Female, (1/4 Straight)	12
2E	22-01566-01Terminal, Socket, Female, (18-20 AWG)	6
2F	22-50252-00Terminal, Female,	2
3	12-00495-02SV	...Thermister (Not Shown in Illustration)	1
4	10-00286-09	...Relay, SPDT, 24 VDC	1
5	HF23BJ039	...Actuator, Motor, Non-Spring Return (Old)	1
	54-00635-00	...Actuator, Motor, Non-Spring Return (New)	1
6	68-63332-00	...Bracket, Mounting, Actuator	1
7	68-63333-00	...Bracket, Mounting, Actuator (Old)	1
	68-63762-00	...Bracket, Mounting, Actuator (New)	1
8	22-62036-00	...Holder, Fuse	2
9	22-62038-00	...Bracket, Fuse Holder	2
10	42-00221-09	...Gasket, Foam, .25 Thick x .25 x 106.00 Inches, Adhesive Backed	1
11	22-50098-91A	...Block, Junction, 3/8-16 Stud, Black	1
12	34-06069-04	...Screw, Hex Head, Slotted, #10-32 x 0.50 Inch Long, SST	8
13	34-00664-09	...Washer, Lock, Internal Tooth, #10, SST	8
14	66U1-6651-12	...Screw, Pan Head Slotted, #10-32 x 0.50 Inch Long, SST	2
15	AC201-901	...Connector, Relay (FAR)	1
16	AC201-931	...Lock, Connector	1
17	66U1-5371	...Screw, Cap, Hex Head Slotted, #8-32 x 0.50 Inch Long, SST	1
18	34-00664-08	...Washer, Lock, Internal Tooth, #8, SST	1



14.2 CONTROL PANEL ASSEMBLY, MULTIPLEX HEAT ONLY - NEW - OPTION 3



Based On Kit Number 91-62092-00 C

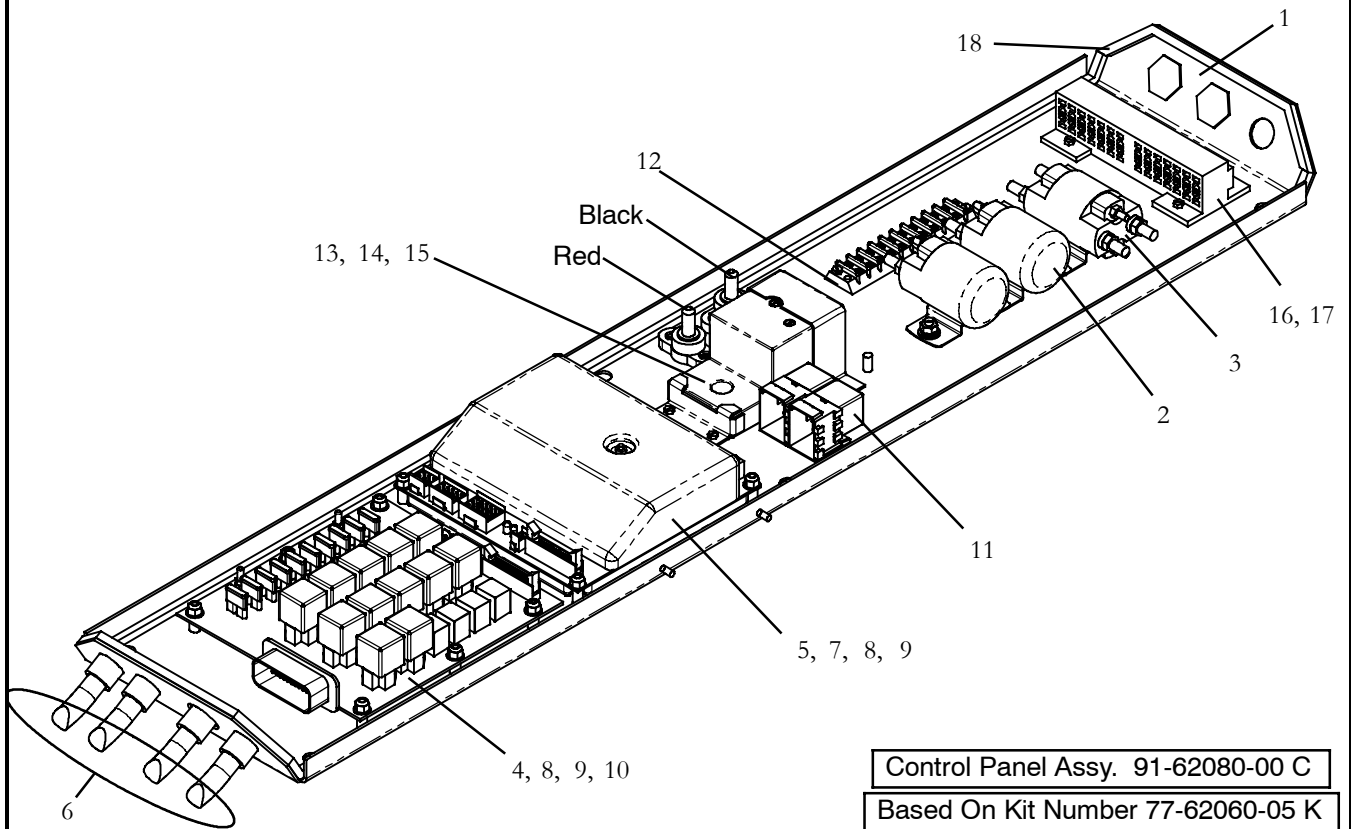
Item	Part Number	Description	Qty
...	91-62092-00	Control Panel Assy., Miultiplex, Heat Only - Includes: (Rev.C)	1
1	68-63750-00	...Panel, Mounting	1
2	22-62278-00	...Wire Harness, Multiplex	1
3	12-00495-02SV	...Thermister (Not Shown in Illustration)	1
4	10-00286-13	...Relay, SPDT, 24 VDC	1
5	54-00635-00	...Actuator, Motor, Non-Spring Return	1
6	68-63332-00	...Bracket, Mounting, Actuator	1
7	68-63762-00	...Bracket, Mounting, Actuator	1
8	22-62295-00	...Holder, Fuse	3
9	68-63807-00	...Rail, Din	1
10	42-00221-09	...Gasket, Foam, .25 Thick x .25 x 106.00 Inches, Adhesive Backed	1
11	22-50098-91A	...Block, Junction, 3/8-16 Stud, Black	1
12	34-06069-04	...Screw, Hex Head, Slotted, #10-32 x 0.50 Inch Long, SST	8
13	34-00664-09	...Washer, Lock, Internal Tooth, #10, SST	8
14	66U1-6651-12	...Screw, Pan Head Slotted, #10-32 x 0.50 Inch Long, SST	4
15	AC201-901	...Connector, Relay (FAR)	1
16	AC201-931	...Lock, Connector	1
17	66U1-5371	...Screw, Cap, Hex Head Slotted, #8-32 x 0.50 Inch Long, SST	1
18	34-00664-08	...Washer, Lock, Internal Tooth, #8, SST	1
19	22-50098-91	...Block, Junction, 3/8-16 Stud, Red	1
20	10-00300-02	...Contactor, 28 VDC, SPNO	2



14.2 CONTROL PANEL ASSEMBLY, MULTIPLEX HEAT ONLY - NEW - OPTION 3 - Continued:			
Item	Part Number	Description	Qty
21	12-003005-07	...Thermister, Ambient Sensor (ATS) (Not Shown On Illustration)	1
22	34-00666-11	...Nut, Hex, 1/4-20 Inch, SST	3
23	34-06212-12	...Washer, Plain, Type A, 1/4	3
24	34-00663-11	...Washer, Split Lock, 1/4 Inch, SST	3
25	22-01563-02	...Block, Terminal, 10 Poles, #6-32 x 1/4 Inch Long	1
26	66U1-5371-5	...Screw, Hex Head, Slotted, #8-32 x 3/4 Inch Long, SST	2
27	10-00479-00	...Circuit Breaker, Thermal, Resetable, 15AMP, Blue	6
28	12-00479-01	...Circuit Breaker, Thermal, Resetable, 20AMP, Yellow	6
29	22-62296-00	...Support, Fuse Holder	2
30	22-01030-17	...Diode Assembly, 6AMP (Not Shown In Illustration)	3



14.3 CONTROL PANEL ASSEMBLY - 05G MICROMAX - NO TRANSDUCERS - OPTION 4



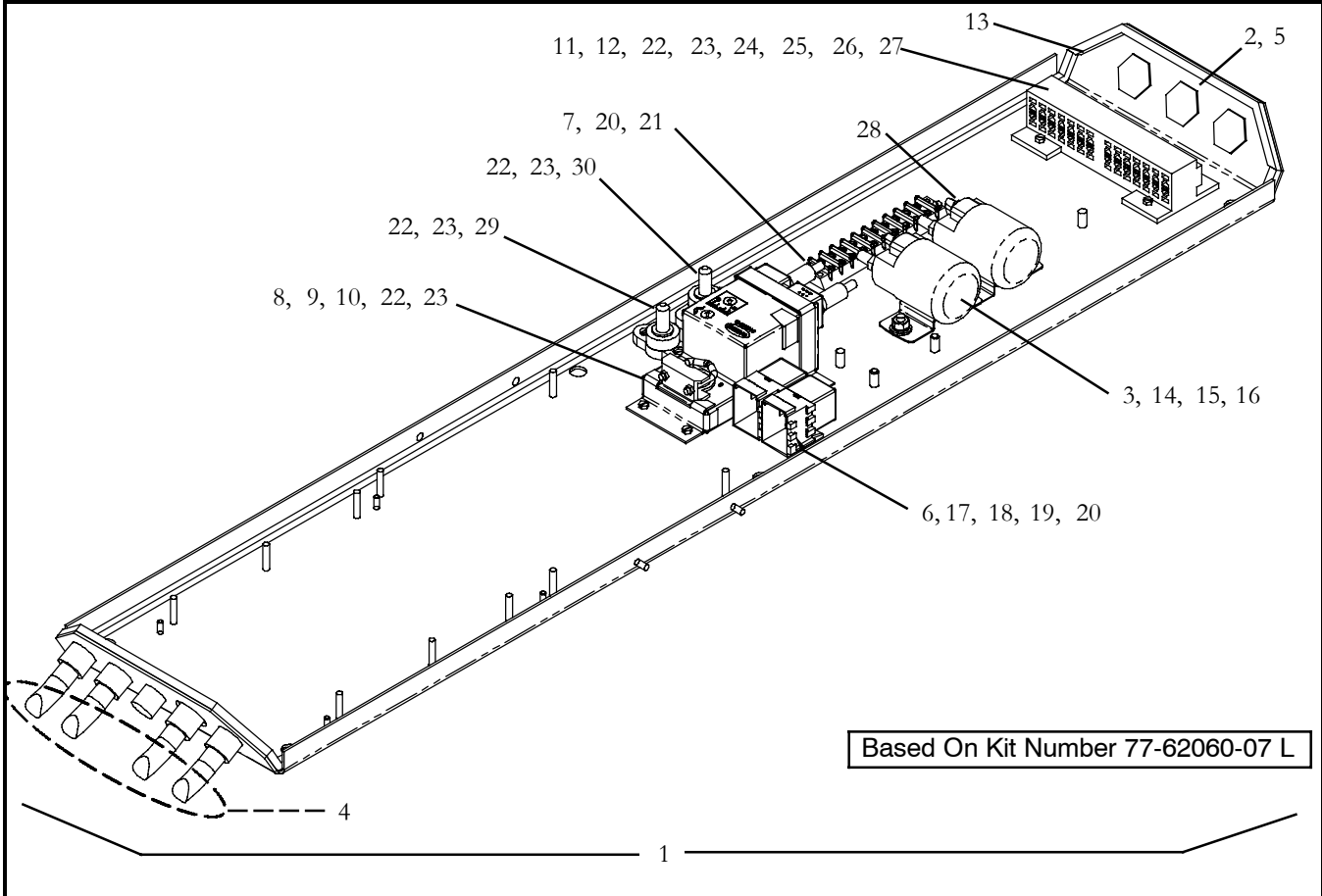
Item	Part Number	Description	Qty
...	91-62080-00	Control Panel Assembly, Micromax, Heat Only - Includes:	1
1	68-63750-00	...Panel, Mounting	1
2	10-00300-02	...Contactor, 28 VDC, SPNO	2
3	10-00300-07	...Contactor, 28 VDC, SPDT	1
4	12-00486-01	...Board, Relay - Includes:	1
4A	10-00286-11Relay, 24 VDC, 40 Amp, SPDT	11
4B	22-02336-02Fuse, 5 Amp (F2 thru F9)	8
4C	22-02336-08Fuse, 7-1/2 Amp (F1)	1
4D	22-02336-06Fuse, 15 Amp (F10)	1
4E	10-00286-12Relay, 24 VDC, 40 Amp, SPDT (K13)	1
5	12-00392-15	...Module, Logic Controller, 24 VDC (300 PSI) - Includes:	1
5A	22-50236-00Harness, Ribbon Cable, 26 Pin (Logic Module To Relay Board)	1
6	22-62254-00	...Wire Harness, Micromax, Heat Only - Includes:	1
6A	22-50098-16Connector, Plug Assembly, 35 Position (JA)	1
6B	22-50138-00Connector, Female, 4 Position (JB)	1
6C	22-50144-00Connector, 4 Position (J1)	1
6D	22-50145-00Connector, 4 Position (J2)	1
6E	22-50146-00Connector, 9 Position (J3)	1
6F	22-50143-00Connector, 15 Position (J4)	1
6G	CM983-618Connector, 24 Position (J6)	1
6H	22-50148-00Terminal, Female (JB)	3
6I	22-50098-19Terminal, Socket, Female (JA)	18
6J	22-50153-00Terminal, Socket, Female (J1)	2



14.3 CONTROL PANEL ASSEMBLY - 05G MICROMAX - NO TRANSDUCERS - OPTION 4 - Continued:			
Item	Part Number	Description	Qty
6K	22-50152-00Terminal, Socket, Female (J2, J3, J4, J6)	7
6L	22-50351-00Terminal, With Spring Clip (14-16 AWG) (F11-F16)	14
7	12-00495-02SV	...Thermister Sensor Kit, Return Air (Replacement For 12-00305-04)	1
8	34-62000-00	...Spacer, Nylon	10
9	58-00511-08	...Washer, Flat, Nylon, 0.031 Thick x 0.22 ID x 0.50 OD	10
10	42-62005-00	...Gasket, Relay Board, Foam	1
11	10-00286-09	...Relay, 24 VDC, 40 Amp, SPDT	2
12	22-01563-02	...Block, Terminal, 10 Poles #6-32 x 1/4 Inch Long	1
13	HF23BJ039	...Actuator, Motor, Non-Spring Return (Old) SN Cut-Out ?	1
	54-00635-00	...Actuator, Motor, Non-Spring Return (New) SN Cut-In ?	1
14	68-63332-00	...Bracket, Mounting, Actuator (Old) Cut-Off SN ?	1
15	68-63333-00	...Bracket, Mounting, Actuator	1
	68-63762-00	...Bracket, Mounting, Actuator (Old) Cut-In SN ?	1
16	22-62036-00	...Holder, Fuse	2
17	22-62038-00	...Bracket, Mounting, Fuse Holder	2
18	42-00221-09	...Gasket, Foam, .25 Thick x .25 x 106.00 Inches, Adhesive Backed	1
N/S	12-00305-07	...Thermister, Ambient Sensor (ATS)	1



14.4 CONTROL PANEL ASSEMBLY - MICROMAX - SLAVE - OPTION 5



Item	Part Number	Description	Qty
1	91-67097-00	Control Panel Assembly, Micromax, Slave - Includes:	1
2	68-63750-00	...Panel, Mounting	1
3	10-00300-02	...Contactor, 28 VDC, SPNO	2
4	22-62305-00	...Wire Harness, Slave, Brushless Motors	1
5	12-00495-02SV	...Thermister Sensor Kit, Return Air (Replacement For 12-00305-04) (RAS)	1
6	10-00286-13	...Relay, 24 VDC, 50 Amp, W/Diode	2
7	22-01563-02	...Block, Terminal, 10 Poles #6-32 x 1/4 Inch Long	1
8	54-00635-00	...Actuator, Motor, Non-Spring Return	1
9	68-63332-00	...Bracket, Mounting, Actuator	1
10	68-63762-00	...Bracket, Mounting, Actuator	1
11	22-62036-00	...Holder, Fuse	2
12	22-62038-00	...Bracket, Mounting, Fuse Holder	2
13	42-00221-09	...Gasket, Foam, .25 Thick x .25 x 106.00 Inches, Adhesive Backed	1
14	34-00666-11	...Nut, Hex, 1/4-20 Inch, SST	3
15	34-06212-12	...Washer, Plain, Type A, 1/4	3
16	34-00663-11	...Washer, Split Lock, 1/4 Inch, SST	3
17	AC201-901	...Connector, Relay	2
18	AC201-931	...Lock, Connector	2
19	66U1-5371	...Screw, Cap, Hex Head Slotted, #8-32 x 0.50 Inch Long, SST	2
20	34-006648-08	...Washer, Lock, Internal Tooth, #8, SST	4
21	66U1-5371-5	...Screw, Hex Head, Slotted, #10-32 x 0.50 Inch Long, SST	2

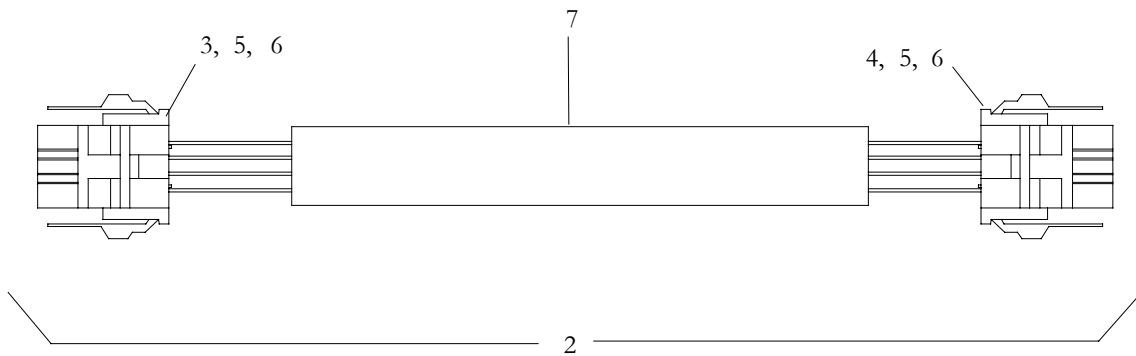
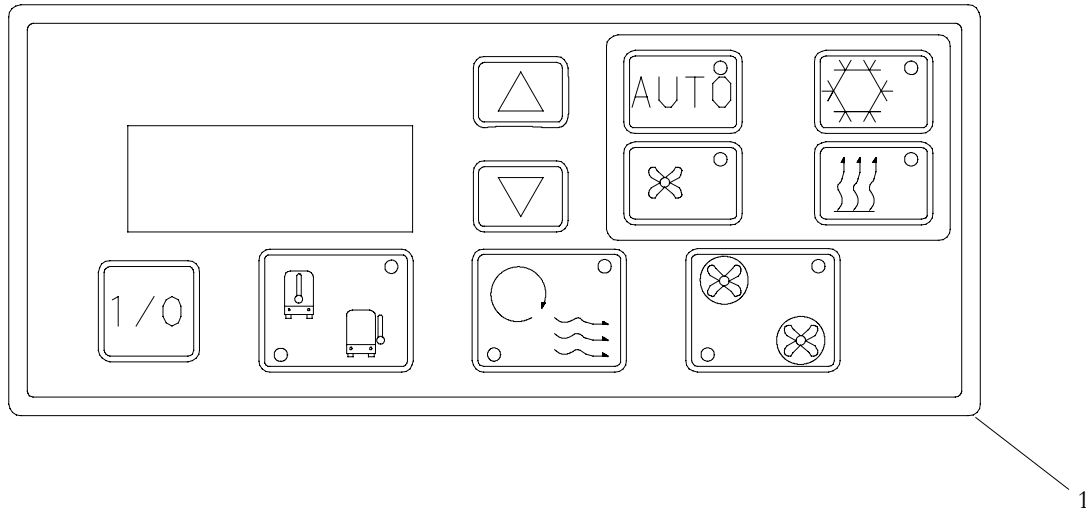


14.4 CONTROL PANEL ASSEMBLY - MICROMAX - SLAVE - OPTION 5 - Continued:			
Item	Part Number	Description	Qty
22	34-00664-09	...Washer, Lock, Internal Tooth, #10, SST	12
23	34-06069-04	...Screw, Hex Head, Slotted, #10-32 x 0.50 Inch Long, SST	12
24	22-62039-01	...Lock, Secondary, Fuse Holder, Yellow	24
25	22-62040-00	...Lock, Secondary, Wedge, Fuse Holder, Red	2
26	62-62074-00	...Label, Fuse Identification (F11 thru F16)	1
27	62-62074-01	...Label, Fuse Identification (F17 thru F22)	1
28	22-01030-17	...Diode Assembly, 6 AMP	2
29	22-50098-91	...Junction Block, 3/8-16 Stud, Red	1
30	22-50098-91A	...Junction Block, 3/8-16 Stud, Black	1
31	34-60000-16	Screw, Hex Head, M5 x 16MM Long, SST	6
32	22-62180-01	Block, Junction, Stud Type, 3/8-16 Thread (Red)	1
33	66U1-3882	Wire Tie, Self-Locking, 7.00 Inches, Black	4
34	34-62021-01	Rivet, Blind, Dome Head, 3/16 Dia., Grip Range: .250 - .375	4
35	22-62180-00	Block, Junction, Stud Type, 3/8-16 Thread (Black)	1
36	34-60095-46	Washer, Lock, M6 x 18MM O.D., SST	6
37	34-00944-10	Washer, Flat, M10	4
38	34-00946-60	Nut, Hex, M10-1.50, SST	6
39	34-60089-05	Nut, Lock, M5	2
40	22-02392-00	Connector, 2 Pin, Black	1
41	22-02393-01	Terminal, Male (18-20 AWG)	2
42	22-02394-01	Seal, Cable, Blue	2



14.5 MICROMATE CONTROL PANEL & HARNESS

REF. KIT NO. 76-62724-00

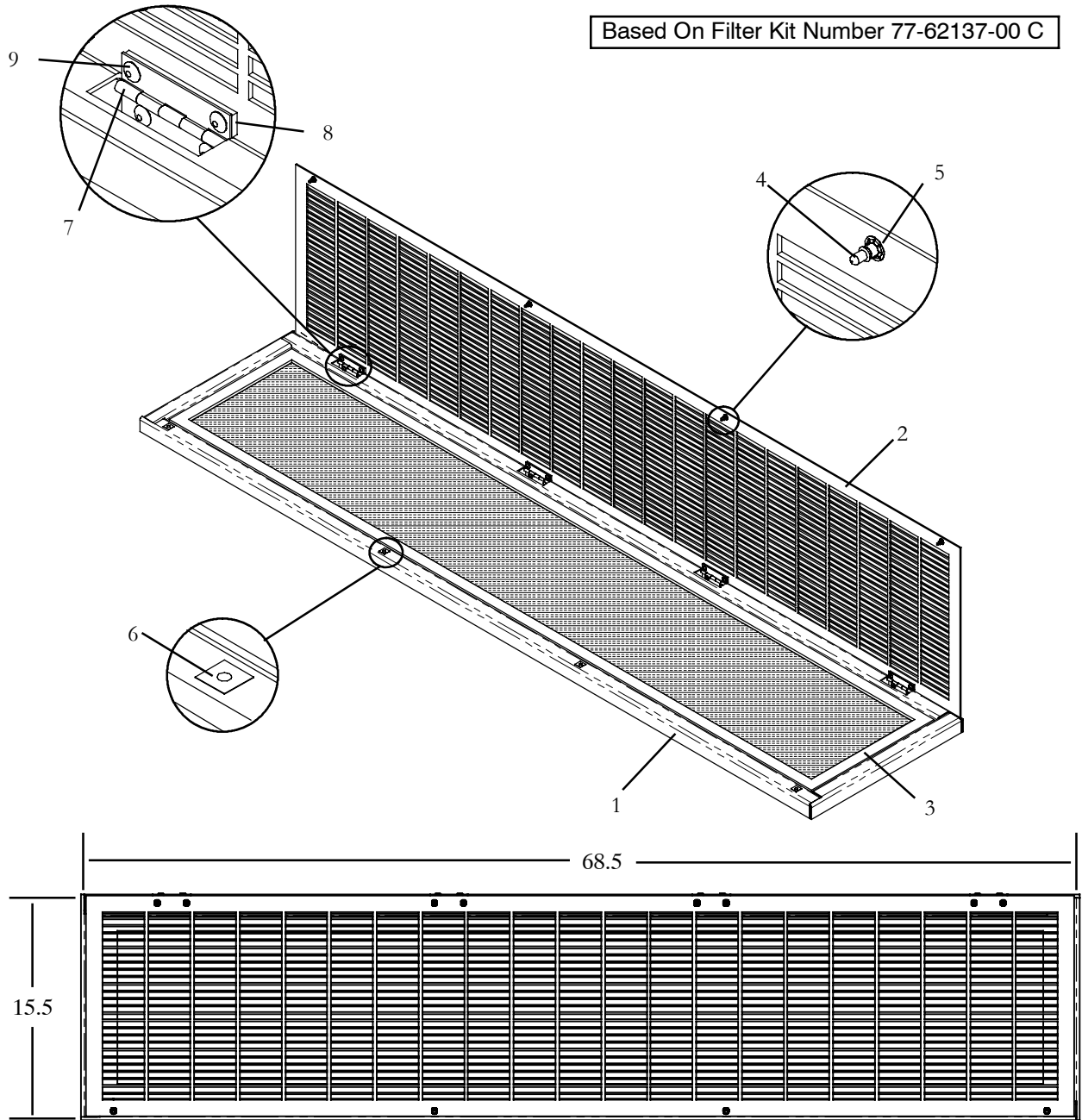


Item	Part Number	Description	Qty
1	12-00391-03	Module, Drivers Display (Micromate Control Panel)	1
2	22-62063-01	Wire Harness, 320 Inches (Used With Micromate As A Diagnostic Tool, Connects To J2 Port On Controller Logic Module) - Includes:	1
2	22-62063-02	Wire Harness, 120 Inches (Used With Micromate As A Diagnostic Tool, Connects To J2 Port On Controller Logic Module) - Includes:	1
3	22-62026-00	...Connector, Rectangular, 6 Pin, Brick Red (MCP)	1
4	22-50145-00	...Connector, Plug, 4 Pin	1
5	22-50152-00	...Terminal, Socket, Female (MCP)	8
6	22-02394-02	...Seal, Cable, Green (.06 - .08 Cable OD)	8
7	58-00848-00	...Tubing, Split, Corrugated, 1/2 Inch ID x 25 Feet Long	1



15 FILTER ASSEMBLY KIT (OPTIONAL)

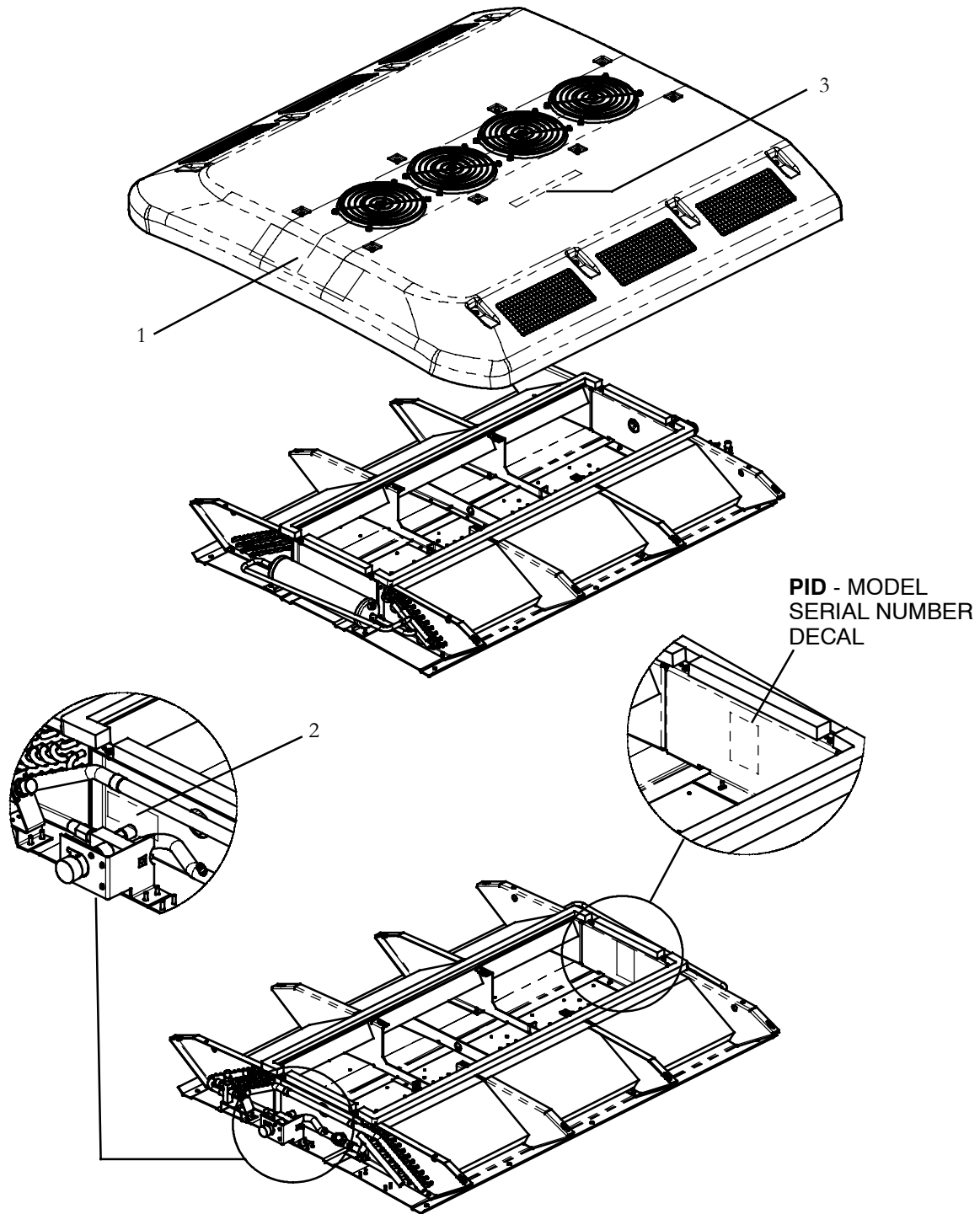
Based On Filter Kit Number 77-62137-00 C



Item	Part Number	Description	Qty
1	86-62362-00	Frame, Weld Assembly	1
2	68-63303-00	Cover, Filter	1
3	38-00582-00	Filter, Air, HELPA Type	1
4	34-06177-01	Stud, Oval, Slotted, 1/4 turn, 0.575 Inches Long, SST	4
5	34-06169-01	Washer, Retaining, SST	4
6	34-06178-00	Receptacle, 1/4 Turn Stud	4
7	AC040-137	Hinge, Cover, Filter Access	4
8	68-63305-00	Spacer, Cover	4
9	34-62021-01	Rivet, Blind, Dome Head, 3/16 Dia., Grip Range: .250 - .375	16



16 DECAL KIT CONDENSER

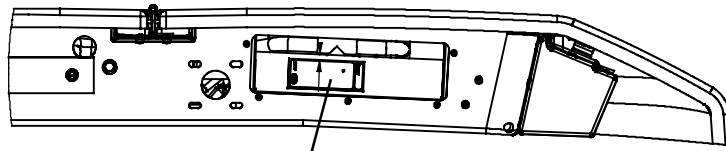


Reference Decal Kit Number 77-62093-00 C

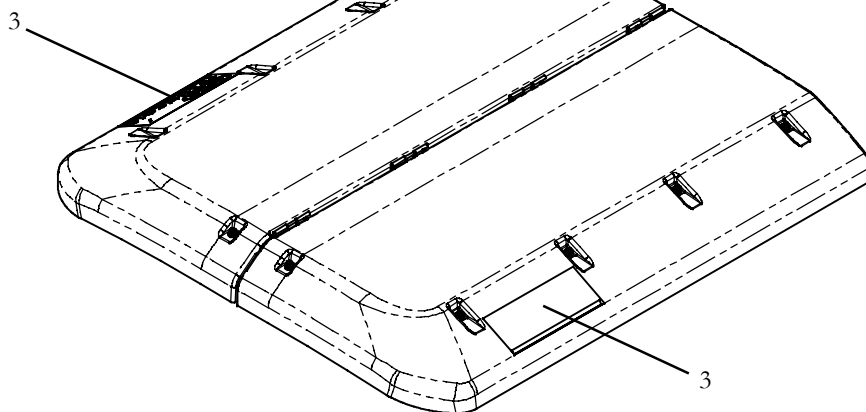
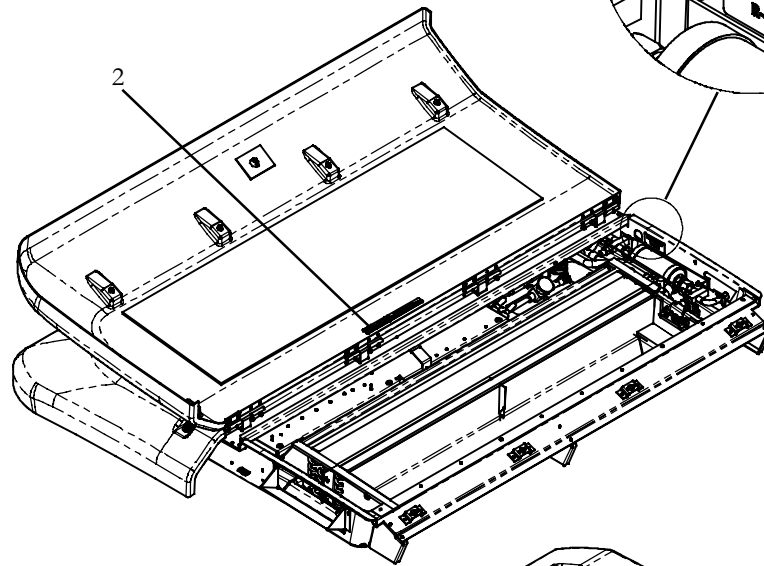
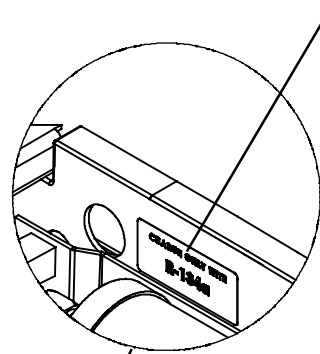
Item	Part Number	Description	Qty
1	62-03882-01	Decal, MOBILE CLIMATE CONTROL	1
2	62-62039-00	Label, Refrigerant, Charge Only With R-134a	1
3	62-62045-00	Label, Warning, Battery Disconnect Switch	1



17 DECAL KIT EVAPORATOR



PID - MODEL
SERIAL NUMBER
DECAL



Item	Part Number	Description	Qty
1	62-62039-00	Label, Refrigerant, Charge Only With R-134a	1
2	62-62045-00	Label, Warning, Battery Disconnect Switch	1
3	62-03882-01	Decal, MOBILE CLIMATE CONTROL	1



0

02-00067-00 5, 18, 19
 02-62001-01 15, 17
 08-00240-00 10
 08-62039-00 7, 10
 08-62040-00 7
 08-62044-00 24, 28
 08-62053-00 24, 28, 31
 08-62053-01 24, 28, 31

1

10-00286-09 39, 41, 45
 10-00286-11 38, 44, 46
 10-00286-12 38, 44
 10-00300-02 38, 42, 44, 46
 10-00300-07 38, 44
 10-00479-00 43
 10-00286-13 42
 12-003005-07 43
 12-00305-07 5, 45
 12-00352-00 34, 35
 12-00479-01 43
 12-00486-01 38, 44
 12-00495-025V 39
 12-00495-02SV 41, 42, 45, 46
 12-00391-03 48
 12-00392-15 38, 44
 14-00026-04 26, 30
 14-00194-03 26, 30, 32

14-00236-00, 26, 30
 14-00236-51, 26, 30
 14-00236-52, 26, 30
 14-00281-04, 8, 11
 14-00316-00 26, 30
 14-00320-00 26, 30
 14-00351-00 9, 11, 25, 29
 14-01032-01 6
 14-01110-02 26, 30, 32
 14-50050-01 8, 11

2

22-01030-17 43, 47
 22-01563-02 39, 43, 45, 46
 22-01566-00 41
 22-01566-01 41
 22-01585-00 5
 22-01585-00SK 21
 22-01585-03 40
 22-02336-02 38, 44
 22-02336-06 38, 44
 22-02336-08 38, 44
 22-02336-50 40
 22-02392-00 35, 36, 37, 47
 22-02392-00SV 5
 22-02392-02 40
 22-02393-00 21
 22-02393-01 5, 35, 36, 37, 47
 22-02394-01 5, 35, 36, 37, 47
 22-02394-02 21
 22-02430-01 41

22-25-05-004 13, 15, 17
 22-50078-51E 21
 22-50078-63 21
 22-50098-16, 39, 44
 22-50098-19, 39, 44
 22-50098-77, 21
 22-50098-77A 21
 22-50098-91 39, 47
 22-50098-91A 39, 41, 42, 47
 22-50098-91 42
 22-50138-00 39, 44
 22-50143-00 39, 44
 22-50144-00 39, 44
 22-50145-00 39, 44
 22-50146-00 39, 44
 22-50148-00 39, 44
 22-50152-00 39, 45
 22-50153-00 39, 44
 22-50236-00 38, 44
 22-50252-00 39, 41
 22-50351-00 41, 45
 22-62036-00 39, 41, 45, 46
 22-62038-00 39, 41, 45, 46
 22-62039-01 39, 47
 22-62040-00 39, 47
 22-62172-00 39
 22-62180-00 34, 35, 36, 37, 47
 22-62180-01 34, 35, 36, 37, 47
 22-62193-00 5
 22-62199-00 41
 22-62254-00 44
 22-62296-00 43



22-62307-02 40
 22-62307-04 40
 22-02394-02 48
 22-50098-77A 21
 22-50145-00 48
 22-50152-00 48
 22-62026-00 48
 22-62063-01 48
 22-62063-02 48
 22-62278-00 42
 22-62295-00 42
 22-62305-00 46

3

32-24-01-013 4, 18, 19
 32-24-01-016 4, 18, 19
 34-00300-06 34
 34-00303-04 8, 24, 28
 34-00305-04 9
 34-00361-61 39
 34-00363-11 34
 34-00363-13 17
 34-00366-13 17
 34-00368-11 34
 34-00368-12 9, 24, 28
 34-00368-13 9
 34-00371-13 34
 34-00373-07 26, 30
 34-00588-11 34
 34-00588-12 9, 24, 28
 34-00588-13 9
 34-00662-09 34
 34-00663-11 39
 34-00664-08 39, 41,
 42

34-00664-09, 39, 41, 42
 34-00666-11 39, 43
 34-00666-13 34
 34-00667-09 34
 34-00733-00 22
 34-00829-13 34
 34-00928-09 7, 10, 15,
 17
 34-00944-06 3, 14, 16,
 21
 34-00944-08 5
 34-00944-10 35, 36,
 37, 47
 34-00945-04 26, 30
 34-00945-06 3, 14, 16,
 18, 19, 20
 34-00945-08 5
 34-00946-06 3, 14, 16,
 20
 34-00946-60 35, 36,
 37, 47
 34-00967-15 18, 19
 34-00967-25 20
 34-01151-04 26, 30
 34-01184-04 26, 30
 34-01184-06 21
 34-01197-10 26, 30
 34-01241-30 5
 34-01266-20 6, 7, 10,
 13, 17, 24, 28, 32
 34-06051-104 13, 15,
 17, 18, 19, 24, 28
 34-06069-04 39, 41,
 42, 47
 34-06088-01 26, 30
 34-06121-03 26, 30
 34-06121-04 26, 30
 34-06169-01 49

34-06177-01, 49
 34-06178-00, 49
 34-06212-12 39, 43
 34-06214-04 24
 34-60000-16 34, 35,
 36, 37, 47
 34-60089-05 34, 35,
 36, 37, 47
 34-60095-46 34, 35,
 36, 37, 47
 34-62000-00 39, 45
 34-62016-00 7, 10, 15,
 17
 34-62017-00 5
 34-62021-00 3, 4, 9,
 11, 24, 28, 32
 34-62021-01 34, 35,
 36, 37, 47, 49
 34-62030-00 22
 34-62069-00 17
 34-00663-11 43, 46
 34-00664-09 47
 34-006648-08 46
 34-00666-11 46
 34-01295-00 17
 34-01295-18 13, 15
 34-06212-12 46
 34-62074-00 13, 15,
 16
 38-00566-00 5
 38-00582-00 49
 38-00603-01 31

4

40-00072-09 26, 30
 40-00090-04 26, 30
 40-00168-07 26, 30,
 31



40-00169-06 26, 30
40-00491-00 8, 11
40-00491-01 25, 29
40-00501-03 8, 26, 30
40-00501-04 8
40-00501-50 8, 26, 30
40-00503-03 26, 30
40-00503-04 26, 30
40-00520-01 8, 26, 30
40-01124-00 9, 11, 25, 29
40-62032-01 8, 11, 25, 29
40-62032-03 26, 30
40-62061-00 26, 30
42-00221-09 39, 41, 42, 45, 46
42-00221-11 13, 14, 16
42-00221-12 24, 28, 31
42-00221-13 24, 28, 31
42-00243-00 8, 11
42-00243-11 26, 30
42-62005-00 39, 45
42-62040-01 18, 19
42-62042-01 13, 14, 16
42-62045-01 24, 28
42-62086-00 13, 14, 16
42-62106-00 24, 28, 31
42-62106-01 24, 28, 31
42-62106-02 24, 28, 31

42-62106-03 24, 28, 31
42-62129-01 17
42-62129-03 17
42-62130-00 32
42-62130-01 32
42-00243-03 26, 30
44-00045-02 26, 30, 31
44-62004-00 18, 19
44-62005-00 13, 14, 16
44-62008-00 22

5

54-00583-00 5
54-00584-00 21
54-00625-50 21
54-00635-00 45
54-00625-51 21
54-00635-00 39, 41, 42, 46
56-00143-104 26, 30
56-00143-12 26, 30
56-00143-75 26, 30
56-00145-26 11
56-00145-27 8
56-62183-02 26, 30
56-62186-00 25, 29
56-62187-00 26, 30
56-62188-00 25, 29
56-62189-02 30
56-62192-00 8, 11
56-62193-00 8, 11
56-62194-00 6

56-62205-00 8
56-62244-00 26, 31
56-62244-01 30
56-62246-00 26, 30, 31
56-62285-00 26, 30
56-62286-00 26, 30
56-62189-02 26
58-00065-08 26, 30, 32
58-00065-26 5, 34
58-00065-44 25, 29, 31
58-00065-51 13, 14, 16
58-00065-52 5
58-00079-02 3, 34
58-00511-08 39, 45
58-00616-18 40
58-00915-00 5
58-04246-00 3, 13, 14, 16
58-60039-08 26, 30
58-62025-03 9, 11
58-62076-00 13, 14, 16
58-62116-00 18
58-62116-01 18
58-62126-00 24, 28, 31
58-62139-00 13
58-62157-01 14, 16
58-62165-00 4
58-62167-02 19, 20
58-62175-00 14
58-62175-01 16
58-00848-00 48

6

62-03882-01 50, 51



62-62039-00 50, 51
62-62045-00 50, 51
62-62074-00 39, 47
62-62074-01 39, 47
65-62001-00 6
66-U-1-5371 41, 42
66-U-1-6651-12 41, 42
66U1-3882 5, 35, 36,
37, 47
66U1-5371 39
66U1-5371-5 39, 43
66U1-5371 46
66U1-5371-5 46
68-62492-02 9, 11, 25,
29
68-62764-01 3
68-62765-00 3
68-62768-00 3
68-62772-00 13, 14,
16
68-62775-00 18, 19
68-62790-00 18, 19
68-62791-00 8, 11
68-62791-01 7, 10
68-62793-00 24, 28
68-62796-00 24, 32
68-62796-01 28
68-62796-02 31
68-62797-01 24, 28
68-62801-00 13, 14,
16
68-62802-00 24, 28
68-62819-00 8, 11
68-62861-00 9, 11
68-62967-00 21
68-62984-00 13

68-63057-00 3
68-63250-00 24, 28,
31
68-63303-00 49
68-63305-00 49
68-63331-00 46
68-63332-00 39, 41,
42, 45, 46
68-63333-00 39, 41,
45, 46
68-63358-00 26, 30
68-63359-00 13, 17
68-63390-00 8, 11
68-63391-00 9, 11
68-63421-00 9, 11
68-63679-00 32
68-63679-01 32
68-63692-00 41
68-63693-01 17
68-63693-03 17
68-63741-00 20
68-63762-00 45
68-63784-00 31
68-63832-00 14, 16
68-63833-00 14, 16
68-63750-00 38, 42,
44
68-63762-00 39, 41,
42
68-63807-00 42

7

73-62003-00 4
73-62004-01 4
73-62005-00 31
73-62005-01 24, 28

73-62005-03 24, 28,
32
73-62006-00 24, 28,
31
79-62111-00 20

8

81-62086-00 25, 29
81-62118-01 26, 30,
31
86-62216-01 5
86-62236-01 13, 14,
16
86-62319-01 24, 28
86-62362-00 49
86-62370-00 22
86-03144-00 14, 16

9

91-62054-00 34, 35
91-62078-00 36, 41
91-62080-00 37, 44
91-62054-00 38
91-62092-00 36, 42
91-67097-00 46

A

AC040-137 49
AC201-225 41
AC201-901 39, 41,
42
AC201-931 39, 41,
42
AC201-901 46
AC201-931 46
AC301-244 31
AC801-201 26, 30



C

CM983-618 39, 44

D

DD19CA061 9, 11, 25,
29

H

HF23BJ039 39, 41,
45

Every driver deserves the best possible vehicle climate with MCC products

MCC provides exceptional performance in mobile climate comfort.



www.mcc-hvac.com

Member of MCC Group • Certified ISO 9001 and ISO 1 4001.
Specifications subject to change without notice. MCC is a registered trademark.