



SERVICE PARTS LIST

for

68RM30-100/101

MICROMAX

T-344PL

REV. 06/2012



TABLE OF CONTENTS

TABLE OF CONTENTS (Continued)

TABLE OF CONTENTS **i**

INTRODUCTION i

MODEL/SERIAL NUMBER PLATE LOCATION i

MODEL CHART ii

ORDERING INSTRUCTIONS ii

GENERAL NOTES ii

1 UNIT ASSEMBLY - LOCATIONAL VIEW 1

2 ELECTRICAL COMPONENTS 2

 2.1 Electrical Components - Common Parts 2

 2.2 Electrical Components - Model 68RM30-100-1 4

 2.3 Electrical Components - Models 68RM30-100-2 6

 2.4 Electrical Components - Model 68RM30-101-2 8

 2.5 Electrical Components - Models 68RM30-101-3, -7, -10, -11, -15, -16, -17, -22 10

 2.6 Electrical Components - Model 68RM30-101-4, -8 12

 2.7 Electrical Components - Model 68RM30-101-6, -9, -18 14

 2.8 Electrical Components - Model 68RM30-101-19 16

 2.9 Electrical Components - Model 68RM30-101-20 18

 2.10 Electrical Components - Model 68RM30-101-21 20

3 ELECTRICAL CONTROL PANELS 22

 3.1 Electrical Control Panel - Common Parts 22

 3.2 Electrical Control Panel - Model 68RM30-100-1 24

 3.3 Electrical Control Panel - Models 68RM30-100-2, 101-6, -9, -18, -20 26

 3.4 Electrical Control Panel - Model 68RM30-101-2 28

 3.5 Electrical Control Panel - Model 68RM30-101-3, -7, -10, -11, -15, -16, -17, -19, -21, -22 30

 3.6 Electrical Control Panel - Model 68RM30-101-4, -8 33

4 COIL KIT 35

 4.1 Coil Kit - Models 68RM30-100-1, 101-2 35

 4.2 Coil Kit - Models 68RM30-100-2, 101-3, -4, -6, -7, -8, -9, -10, -11, -15, -16, -17, -18, -19, -20, -21, -22 .. 36

5 REFRIGERANT PIPING KIT - R-22 MODELS 37

 5.1 Refrigerant Piping Kit - Model 68RM30-100-1 37

 5.2 Refrigerant Piping Kit - Model 68RM30-100-2 42

6 REFRIGERANT PIPING KIT - R-134a MODELS 47

 6.1 Refrigerant Piping Kit - Model 68RM30-101-2 47

 6.2 Refrigerant Piping Kit - Models 68RM30-101-3, -4, -6, -7, -8, -9, -10, -11, -15, -16, -17, -18, -19, -20, -21, -22 . 52

7 AIR FILTERS (All Models) 57

8 HEATER CONNECTION ASSEMBLY 58

 8.1 Heater Connection Assembly - Models 68RM30-100-1, 101-2 58

 8.2 Heater Connection Assembly - Models 68RM30-100-1, 101-2 59

 8.3 Heater Connection Assembly - Models 68RM30-100-2, 101-3, -4, -6, -7, -8, -9, -10, -11, -15, -16, -17, -18, -19, -20, -21, -22 60



TABLE OF CONTENTS (Continued)

8.4 Heater Connection Assembly - Models 68RM30-100-2, 101-3, -4, -6, -7, -8, -9, -10, -11, -15, -16, -17, -18, -19, -20, -21, -22 61

9 LABELS - GASKETS 62

9.1 Labels - Gaskets - Models 68RM30-100-1, -2, 101-2 62

9.2 Labels - Gaskets - Models 68RM30-101-3, -4, -6, -7, -8, -9, -10, -11, -15, -16, -17, -18, -19, -20, -21, -22 .. 63

10 CONDENSER FAN MOTOR ASSEMBLIES 64

10.1 Condenser Fan Motor Assemblies Common Parts - All Models 64

10.2 Condenser Fan Motor Assemblies - Models 68RM30-100-2, 101-2, -6, -9, -18, -20 64

10.3 Condenser Fan Motor Assemblies - Models 68RM30-100-1, 101-4, -8 65

10.4 Condenser Fan Motor Assemblies - Models 68RM30-101-3, -7, -10, -11, -15, -16, -17, -19, -21, -22 66

11 EVAPORATOR BLOWER ASSEMBLIES 67

11.1 Evaporator Blower Assembly Common Parts - All Models 67

11.2 Evaporator Blower Assembly Models 68RM30-100-1 68

11.3 Evaporator Blower Assembly Model 68RM30-100-2 69

11.4 Evaporator Blower Assembly Models 68RM30-101-2 69

11.5 Evaporator Blower Assembly Models 68RM30-101-3 69

11.6 Evaporator Blower Assembly Model 68RM30-101-6, -9, -18, -20 70

11.7 Evaporator Blower Assembly Models 68RM30-101-4, -8 71

11.8 Evaporator Blower Assembly Models 68RM30-101-7, -10, -11, -15, -16, -17, -19, -21, -22 71

12 COMPRESSOR INSTALLATION COMPONENTS 72

12.1 Compressor Installation Components - O5K Systems - Common Parts 72

12.2 Compressor Installation Components - O5K Systems - 68RM30-100-1, -2 74

12.3 Compressor Installation Components - O5K Systems - 68RM30-101-2, -3, -6, -10, -11 76

12.4 Compressor Installation Components - O5K Systems - 68RM30-101-4, -7 78

12.5 Compressor Installation Components - O5K Systems - 68RM30-101-15, -16, -17, -18, -19, -20, -21, -22 .. 80

13 MICROMATE CONTROL PANEL 82

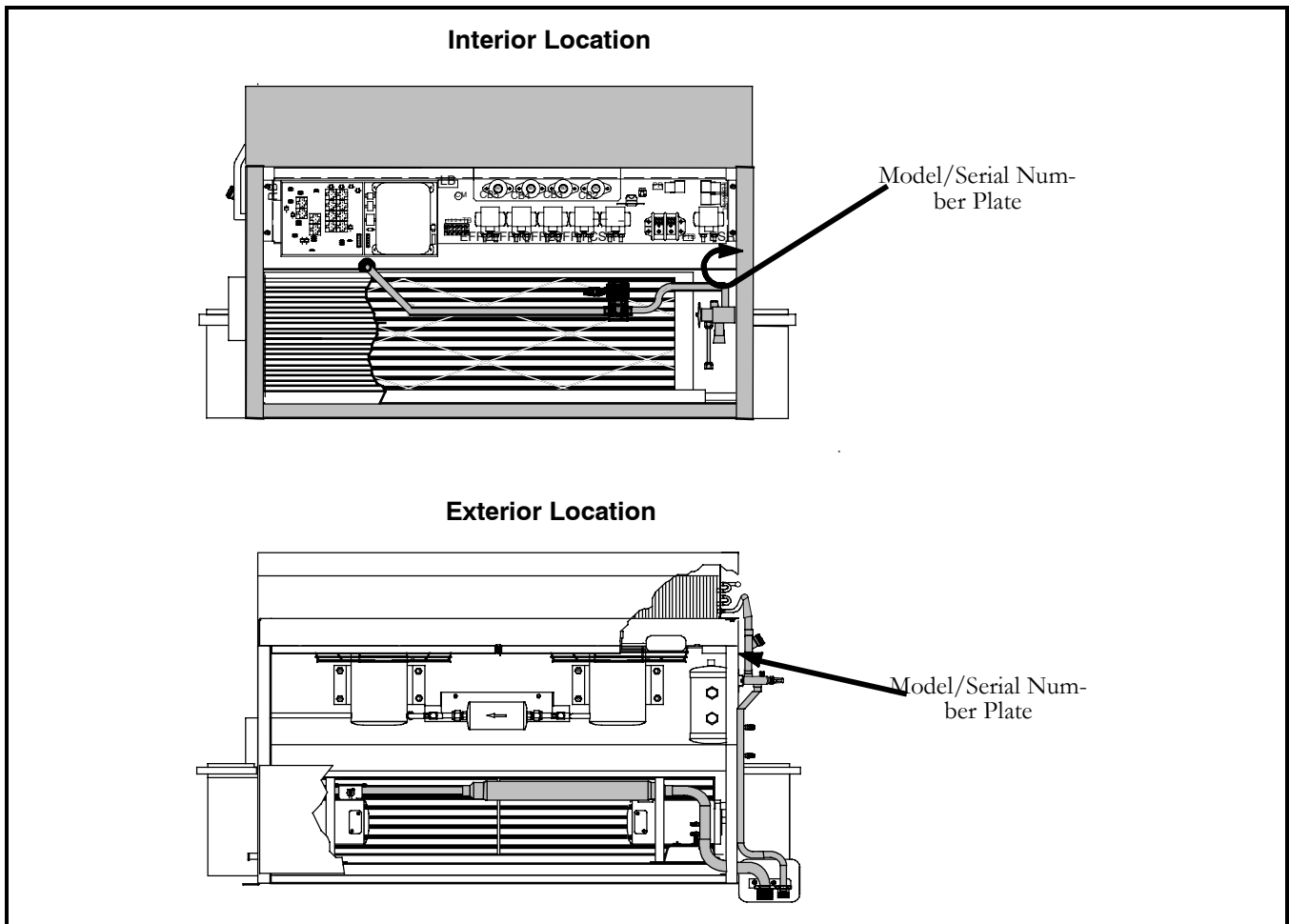
PART NUMBER INDEX Index-1



INTRODUCTION

This parts list identifies service replacement parts for Mobile Climate Control Model 68RM30-100 and Model 68RM30-101 Bus Air Conditioning and Heating systems found in the Model Chart. This parts list contains parts required to modify the standard O5K compressor to these applications.

MODEL/SERIAL NUMBER PLATE LOCATION





MODEL CHART

Part (Model) Number	Refrigerant	Controller	Thermostat	Filter Material	Evaporator & Condenser Motors
68RM30-100-1	R-22	Micro-Max	Adjustable	Natural Hair	Wound Field
68RM30-100-2	R-22	Micro-Max	Adjustable	Natural Hair	Permanent Magnet
68RM30-101-2	R-134a	Micro-Max	Adjustable	Natural Hair	Permanent Magnet
68RM30-101-3	R-134a	Micro-Max	Adjustable	Natural Hair	Brushless
68RM30-101-4	R-134a	Micro-Max	Adjustable	Natural Hair	Wound Field
68RM30-101-6	R-134a	Micro-Max	Adjustable	Natural Hair	Permanent Magnet
68RM30-101-7	R-134a	Micro-Max	Adjustable	Natural Hair	Brushless
68RM30-101-8	R-134a	Micro-Max	Adjustable	Natural Hair	Wound Field
68RM30-101-9	R-134a	Micro-Max	Adjustable	Natural Hair	Permanent Magnet
68RM30-101-10	R-134a	Micro-Max	Adjustable	Natural Hair	Brushless
68RM30-101-11	R-134a	Micro-Max	Adjustable	Natural Hair	Brushless
68RM30-101-15	R-134a	Micro-Max	Adjustable	Natural Hair	Brushless
68RM30-101-16	R-134a	Micro-Max	Adjustable	Natural Hair	Brushless
68RM30-101-17	R-134a	Micro-Max	Adjustable	Natural Hair	Brushless
68RM30-101-18	R-134a	Micro-Max	Adjustable	Natural Hair	Permanent Magnet
68RM30-101-19	R-134a	Micro-Max	Adjustable	Natural Hair	Brushless
68RM30-101-20	R-134a	Micro-Max	Adjustable	Natural Hair	Permanent Magnet
68RM30-101-21	R-134a	Micro-Max	Adjustable	Natural Hair	Brushless
68RM30-101-22	R-134a	Micro-Max	Adjustable	Natural Hair	Brushless

ORDERING INSTRUCTIONS

All orders and inquiries for parts must include: Unit Serial Number, Part no., description of part as shown on list and quantity required. Parts can be ordered by going to the following website:

www.mcc-hvac.com

GENERAL NOTES

To find replacement parts, determine major group in which replacement part is located, consult table of contents for the appropriate page for the illustrated breakdown of the replacement part. The following letter designations are used to classify parts throughout this list.

A/R *As Required*

NSA *Non-Stock Assembly* - order components listed under the assembly.

NSS *Not Sold Separately* - order next higher assembly or kit.

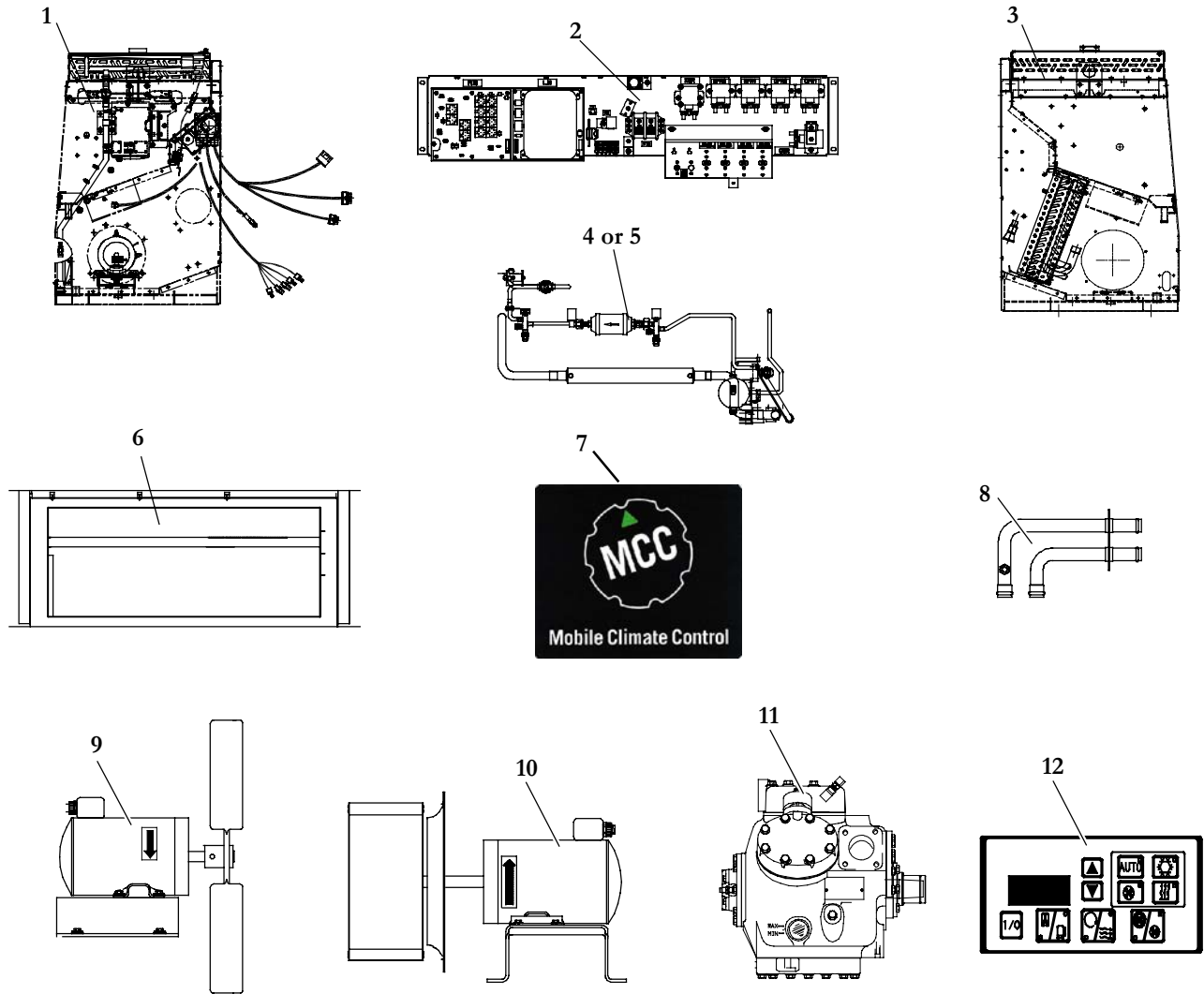
P *Painted*

SST *Stainless Steel* - 300 Series unless otherwise specified.

SV Suffix SV added to part number designates service replacement part.



1 UNIT ASSEMBLY - LOCATIONAL VIEW

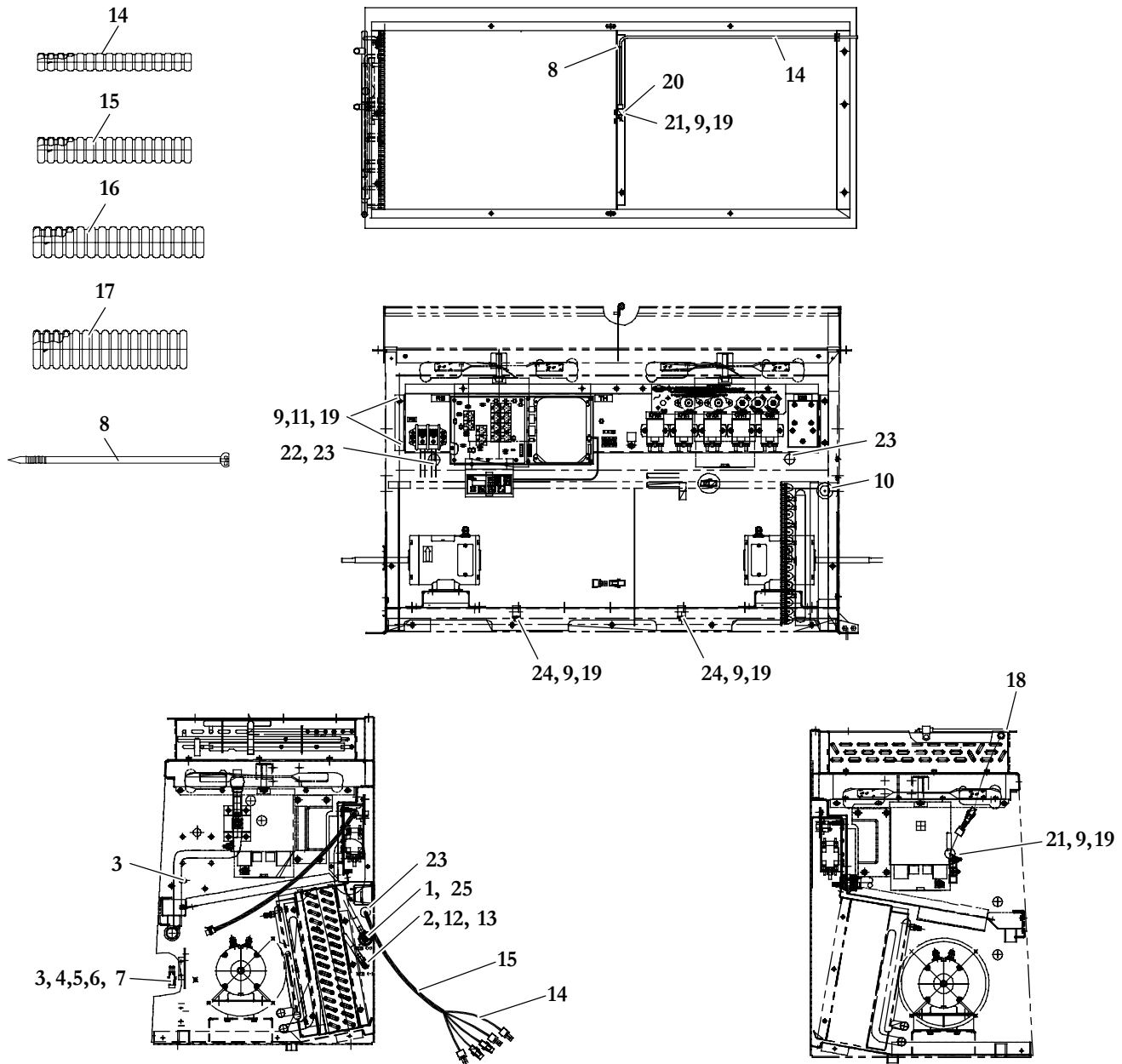


Item	Part Number	Description	Qty
1	-	Electrical Components (Refer to Section 2)	-
2	-	Electrical Control Panels (Refer to Section 3)	-
3	-	Coil Kits (Refer to Section 4)	-
4	-	Refrigerant Piping Kit - R-22 (Refer to Section 5)	-
5	-	Refrigerant Piping Kit - R-134a (Refer to Section 6)	-
6	-	Air Filters (Refer to Section 7)	-
7	-	Label - Gaskets (Refer to Section 9)	-
8	-	Heater Connection Assembly (Refer to Section 8)	-
9	-	Condenser Fan and Motor (Refer to Section 10)	-
10	-	Evaporator Fan and Motor (Refer to Section 11)	-
11	-	Compressor Components (Refer to Section 12)	-
12	-	Micromate Control Panel (Refer to Section 13)	-



2 ELECTRICAL COMPONENTS

2.1 Electrical Components - Common Parts



Item	Part Number	Description	Qty
1	10-00315-00	Stud, Battery Connection, 3/8-16 x 2.07 Inches Long, Brass	1
2	34-06095-01	Stud, Battery Connection, 3/8-16 x 2.25 Inches Long, Brass	1
3	12-00352-00	Transducer, Pressure, Suction/Discharge	2
4	22-02448-00SV	Connector Package, Female - Includes:	2
5	NSS	Connector, Female, Black, 3 Pin	1
6	22-50078-76B	Terminal, Female (16-18 AWG)	3
7	22-62005-00	Terminal, Contact, Female	6

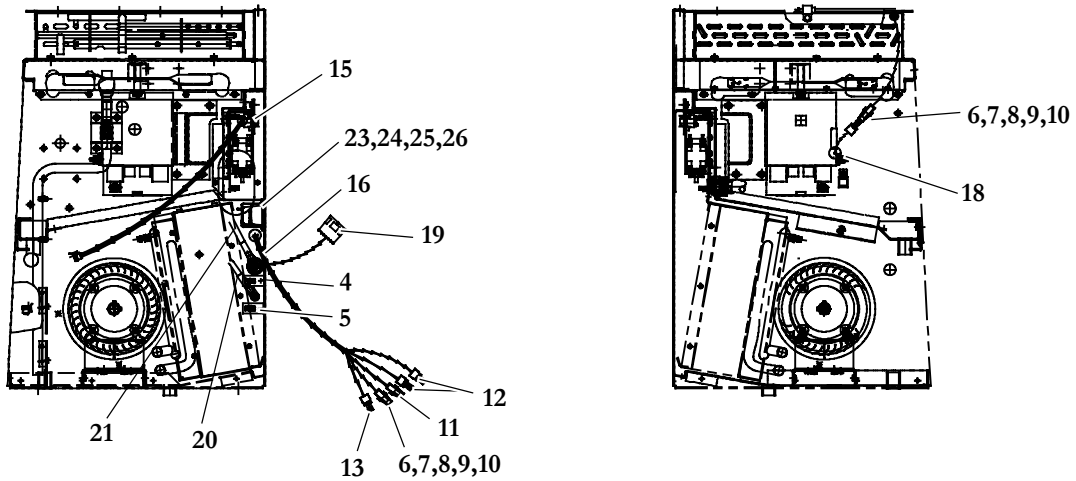
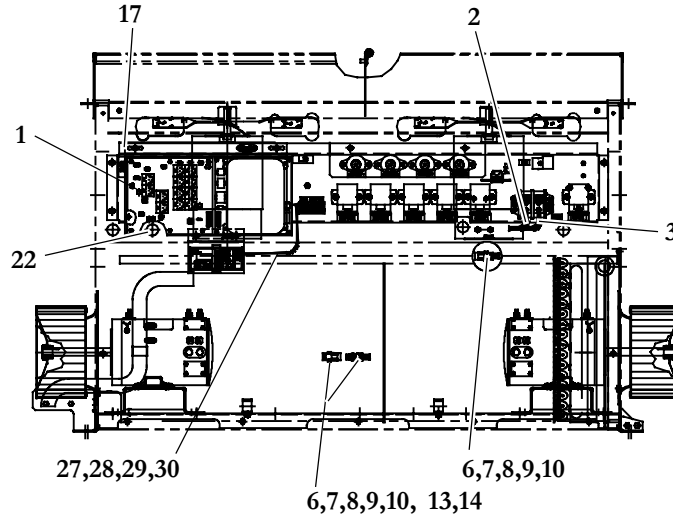


2.1 Electrical Components - Common Parts			
Item	Part Number	Description	Qty
8	66U1-3882	Wire Tie, Self-Locking, 7.00 Inches	A/R
9	34-00655-06	Screw, Cap, Hex Head, 1/4-20 x 3/4 Inch Long, SST	A/R
10	58-00065-87	Grommet, 1.12 ID x 1.44 Hole, 0.156 Inch Groove	1
11	34-00662-11	Washer, Flat, 1/4 Inch, SST	A/R
12	34-00879-03	Nut, Hex, Jam, 3/8-16, Brass	4
13	34-00938-13	Washer, Lock, Internal Tooth, 3/8, Silicone Bronze	4
14	58-00858-00	Tubing, Split, Corrugated, 1/4 Inch ID x 25 Feet Long	A/R
15	58-00848-00	Tubing, Split, Corrugated, 1/2 Inch ID x 25 Feet Long	A/R
16	58-62171-00	Tubing, Split, Corrugated, 0.88 Inch ID x 50 Feet Long	A/R
17	58-00850-00	Tubing, Split, Corrugated, 1.00 Inch ID x 75 Feet Long	A/R
18	58-00065-49	Grommet, 0.38 ID x 0.56 Hole, 0.12 Inch Groove	1
19	34-00663-11	Washer, Split Lock, 1/4 Inch, SST	A/R
20	12-00495-02SV	Thermistor Kit, Ambient Air Sensor (Replacement For 12-00305-04)	1
21	34-00373-03	Clamp, Tube, Neoprene Cushion, 0.38 Inch Diameter	3
22	22-02301-03	Tubing, Spiral, Flexible, 3/4 Inch Closed (100 Feet Roll)	A/R
23	22-02302-03	Connector, Liquid Tight, 3/4 Inch	3
24	34-00373-13	Clamp, Tube, Neoprene Cushion, 1.00 Inch Diameter	2
25	34-62001-00	Washer, Nylon, Red	1



2.2 Electrical Components - Model 68RM30-100-1

Kit 68RM35-131-36



Note: Common Parts Are Listed In Section 2.1

Item	Part Number	Description	Qty
1	68RM35-168-30	Panel Assembly, Electrical (See Section 3.2)	1
2	68RM55-210-11	Cable Assembly, Battery, Red x 12.00 Inches Long	1
3	68RM55-210-12	Cable Assembly, Battery, Red x 50.00 Inches Long	1
4	62-62041-04	Label, POS +	1
5	62-62041-05	Label, NEG -	1

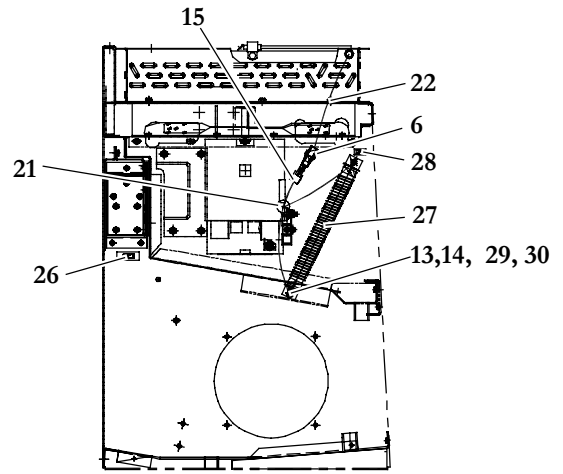
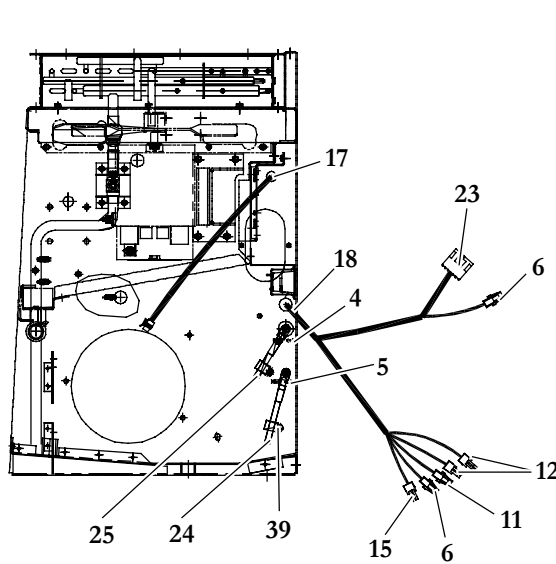
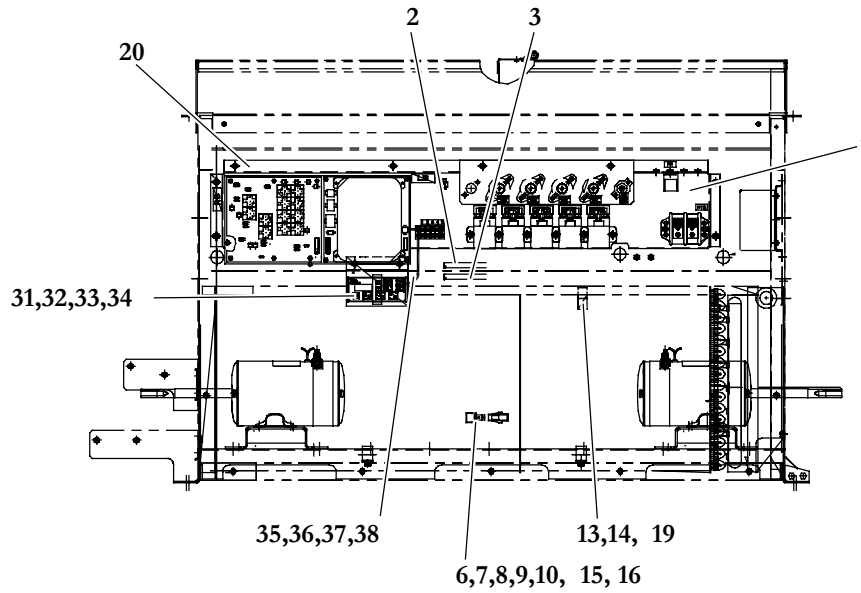


2.2 Electrical Components - Model 68RM30-100-1			
Item	Part Number	Description	Qty
6	22-02392-00SV	Connector Kit, 2 Pin - Includes:	4
7	NSS	Connector, 2 Pin, Black	1
8	22-02393-00	Terminal, Male (14-16 AWG)	2
9	22-02393-01	Terminal, Male (18-20 AWG)	2
10	22-02394-01	Seal, Cable	2
11	22-02392-01	Connector, 2 Pin, Medium Gray	1
12	22-01585-02	Connector, Male, 2 Pin, Gray	2
13	22-01585-00SK	Connector, Male, 2 Pin, Black	3
14	22-02394-00	Seal, Cable, Gray (.11 - .14 Cable OD)	2
15	22-02302-02	Connector, Liquid Tight, 1/2 Inch	1
16	22-02301-02	Tubing, Spiral, Flexible, 1/2 Inch Closed (100 Feet Roll)	1
17	68-62320-00	Cover, Relay Board, Painted	1
18	58-00065-85	Grommet, 0.88 ID x 1.12 Hole, 0.09 Inch Groove	1
19	22-02392-02	Connector, Female, 6 Pin, Black	1
20	22-62017-00	Cable Assembly, Battery, Black	1
21	22-62018-00	Cable Assembly, Battery, Red, #2 AWG x 102.00 Inches Long	1
22	58-00616-03	Plug, Hole, Black Nylon, 1.125 Diameter	3
23	12-00391-03	Module, Drivers Display (Micromate Control Panel)	1
24	68-62125-00	Clamp, Retaining, Temperature Module, Painted	1
25	68-62402-00	Bracket, Mounting, Drivers Display, Painted	1
26	34-00667-07	Nut, Hex, Self-Locking, #06-32, SST	1
27	22-62063-00	Harness, A/C Control, 17.00 Inches Long - Includes:	1
28	22-62026-00	Connector, Plug, 6 Position	1
29	22-50145-00	Connector, Plug, 4 Position	1
30	22-50152-00	Terminal, Female Receptacle (16-26 AWG)	10



2.3 Electrical Components - Models 68RM30-100-2

Kit 68RM35-131-43



Note: Common Parts Are Listed In Section 2.1

Item	Part Number	Description	Qty
1	68RM35-168-35	Panel Assembly, Electrical (See Section 3.3)	1
2	68RM55-209-14	Cable Assembly, Battery, Black x 50.00 Inches Long	1
3	22-62186-00	Cable Assembly, Battery, Red x 50.00 Inches Long	1
4	62-62041-04	Label, POS +	1
5	62-62041-05	Label, NEG -	1

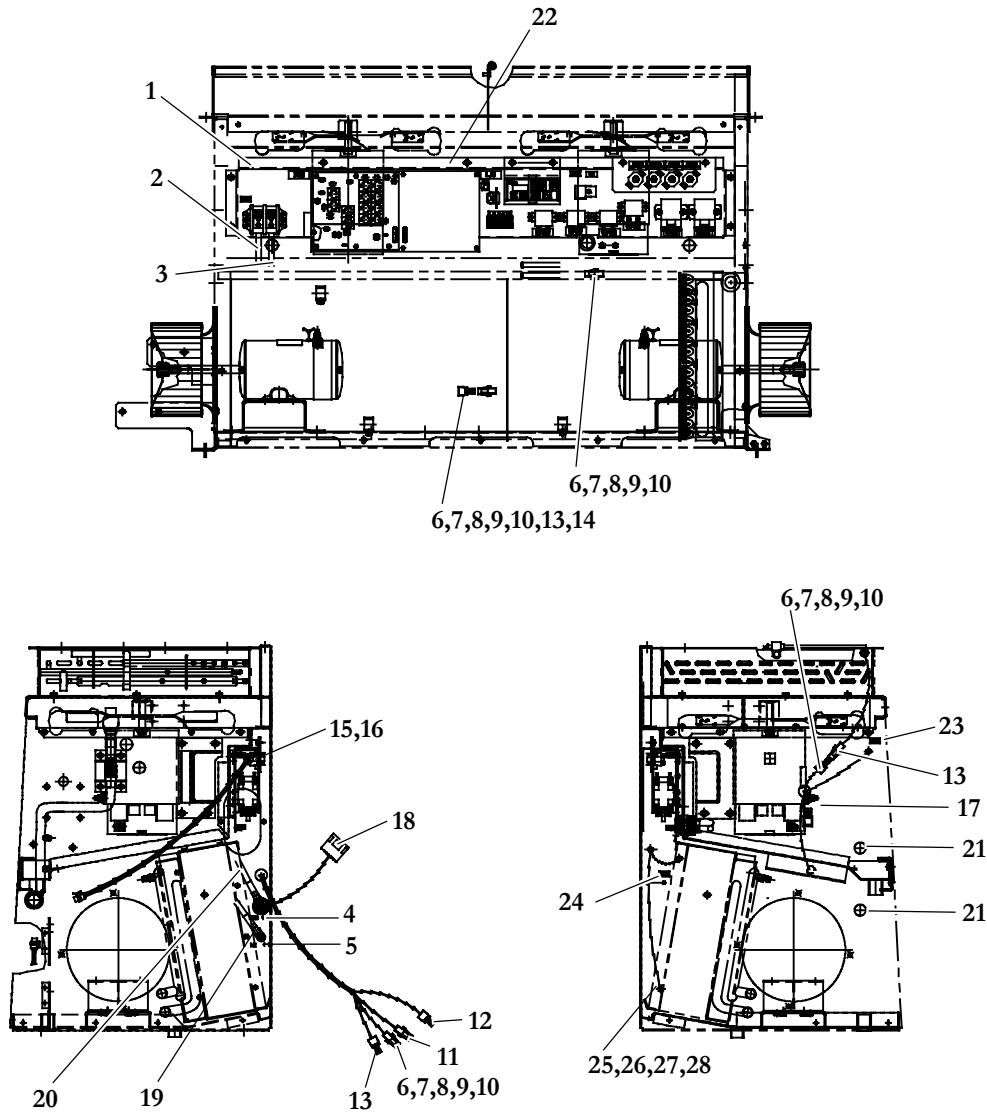


2.3 Electrical Components - Models 68RM30-100-2			
Item	Part Number	Description	Qty
6	22-02392-00SV	Connector Kit, 2 Pin - Includes:	A/R
7	NSS	Connector, 2 Pin, Black	1
8	22-02393-00	Terminal, Male (14-16 AWG)	2
9	22-02393-01	Terminal, Male (18-20 AWG)	2
10	22-02394-01	Seal, Cable	2
11	22-02392-01	Connector, 2 Pin, Medium Gray	1
12	22-01585-02	Connector, Male, 2 Pin, Gray	2
13	34-06179-01	Bolt, Hex Head, Slotted, SEMS, #10-24 x 1/2 Inch Long, SST	3
14	34-00662-09	Washer, Plain, #10, 0.032 Thick, SST	5
15	22-01585-00SK	Connector, Male, 2 Pin, Black	3
16	22-02394-00	Seal, Cable, Gray (0.11 - 0.14 Cable OD)	2
17	22-02302-02	Connector, Liquid Tight, 1/2 Inch	1
18	22-02301-02	Tubing, Spiral, Flexible, 1/2 Inch Closed (100 Feet Roll)	1
19	34-00663-09	Washer, Split Lock, #10, SST	1
20	68-62320-00	Cover, Relay Board, Painted	1
21	58-00065-85	Grommet, 0.88 ID x 1.12 Hole, 0.09 Inch Groove	1
22	44-00102-51	Clamp, Tube, 1/2 Inch OD, With Neoprene Cushion, SST	1
23	22-02392-02	Connector, Female, 6 Pin, Black	1
24	22-62017-00	Cable Assembly, Battery, Black	1
25	22-62018-00	Cable Assembly, Battery, Red	1
26	62-62041-22	Label, ESR	1
27	22-01584-00	Resistor, 420 Watts, With Mounting Brackets	1
28	62-62041-17	Label, DRI	1
29	34-00667-09	Nut, Hex, Self-Locking #10-24, SST	2
30	22-00872-01	Terminal, Ring, #10, #8 AWG, Red Vinyl	2
31	12-00391-03	Module, Drivers Display (Micromate Control Panel)	1
32	68-62125-00	Clamp, Retaining, Temperature Module, Painted	1
33	68-62402-00	Bracket, Mounting, Drivers Display, Painted	1
34	34-00667-57	Nut, Hex, Self-Locking, #06-32, SST	1
35	22-62063-00	Harness, A/C Control, 17.00 Inches Long - Includes:	1
36	22-62026-00	Connector, Plug, 6 Position	1
37	22-50145-00	Connector, Plug, 4 Position	1
38	22-50152-00	Terminal, Female Receptacle (16-26 AWG)	10
39	44-00102-06	Clamp, Tube, 7/8 Inch OD, With Neoprene Cushion, SST	2
40	58-01368-00	Tubing, Spiral, Corrugated, 1/2 Inch Closed Red (25 Feet Roll)	A/R



2.4 Electrical Components - Model 68RM30-101-2

Kit 77-62019-01



Note: Common Parts Are Listed In Section 2.1

Item	Part Number	Description	Qty
1	91-62009-00	Panel Assembly, Electrical (See Section 3.4)	1
2	68RM55-209-10	Cable Assembly, Battery, Black x 15.00 Inches Long	1
3	68RM55-210-11	Cable Assembly, Battery, Red x 12.00 Inches Long	1
4	62-62041-04	Label, POS +	1
5	62-62041-05	Label, NEG -	1

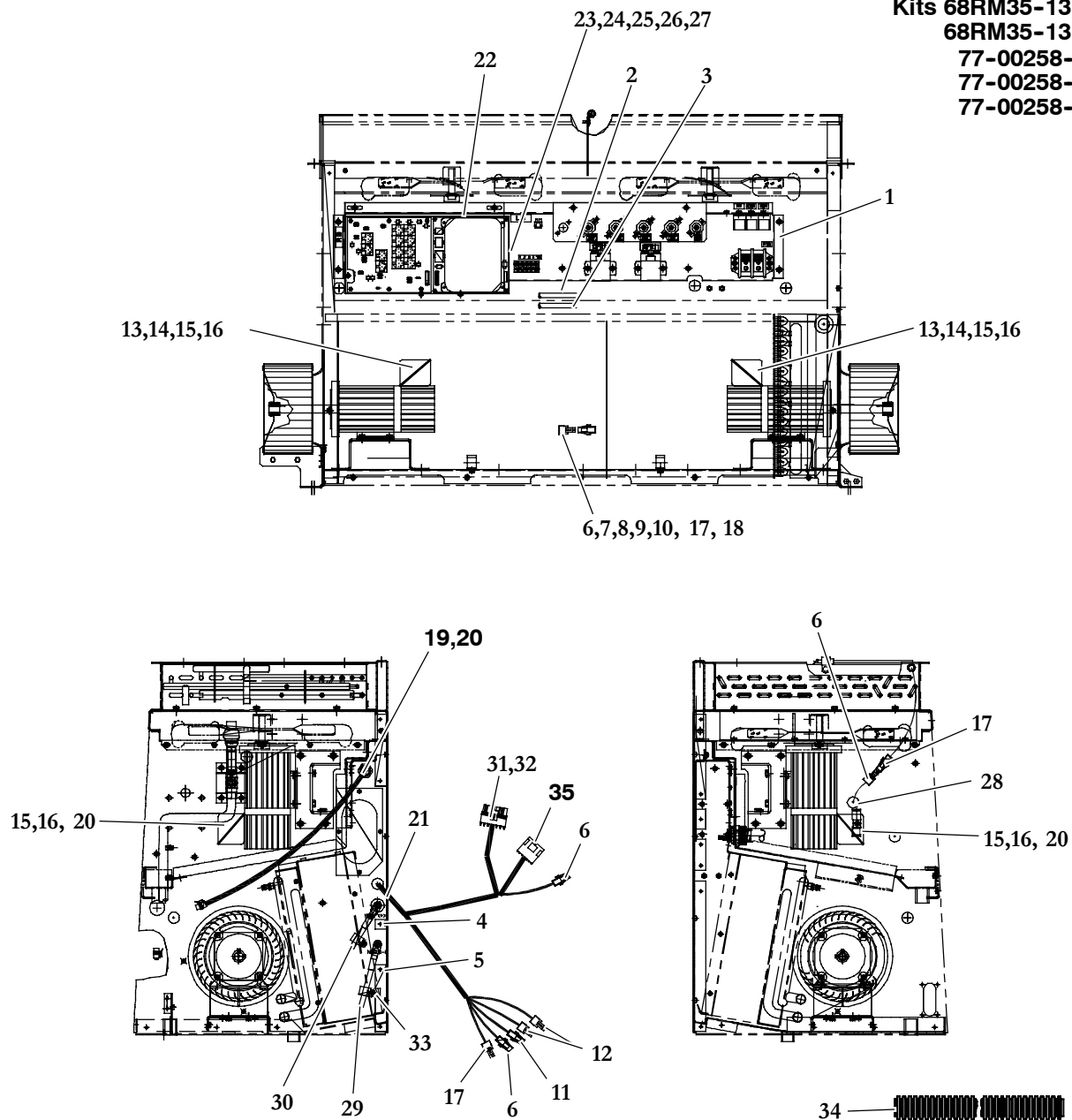


2.4 Electrical Components - Model 68RM30-101-2			
Item	Part Number	Description	Qty
6	22-02392-00SV	Connector Kit, 2 Pin - Includes:	4
7	NSS	Connector, 2 Pin, Black	1
8	22-02393-00	Terminal, Male (14-16 AWG)	2
9	22-02393-01	Terminal, Male (18-20 AWG)	2
10	22-02394-01	Seal, Cable	2
11	22-02392-01	Connector, 2 Pin, Medium Gray	1
12	22-01585-02	Connector, Male, 2 Pin, Gray	1
13	22-01585-00SK	Connector, Male, 2 Pin, Black	3
14	22-02394-00	Seal, Cable, Gray (.11 - .14 Cable OD)	2
15	22-02302-02	Connector, Liquid Tight, 1/2 Inch	1
16	22-02301-02	Tubing, Spiral, Flexible, 1/2 Inch Closed (100 Feet Roll)	1
17	58-00065-85	Grommet, 0.88 ID x 1.12 Hole, 0.09 Inch Groove	1
18	22-02392-02	Connector, Female, 6 Pin, Black	1
19	22-62017-00	Cable Assembly, Battery, Black	1
20	22-62018-00	Cable Assembly, Battery, Red, #2 AWG x 102.00 Inches Long	1
21	58-00616-03	Plug, Hole, Black Nylon, 1.125 Diameter	2
22	68-62320-00	Cover, Relay Board, Painted	1
23	62-62041-17	Label, DR1	1
24	62-62041-18	Label, DR2	1
25	22-01584-00	Resistor, 420 Watts, With Mounting Brackets	2
26	22-01140-02	Terminal, Ring, #10, #10-12 AWG, Vinyl	4
27	66U1-5371-7	Screw, Cap, Hex Head Slotted, #10-24 x 1/2 Inch Long, SST	4
28	34-00667-09	Nut, Hex, Self-Locking #10-24, SST	4



2.5 Electrical Components - Models 68RM30-101-3, -7, -10, -11, -15, -16, -17, -22

Kits 68RM35-131-38
68RM35-131-58
77-00258-04
77-00258-05
77-00258-10



Note: Common Parts Are Listed In Section 2.1

Item	Part Number	Description	Qty
1	68RM35-168-32	Panel Assembly, Electrical, 68RM30-101-3, -7, -11 (See Section 3.5)	1
	68RM35-168-42	Panel Assembly, Electrical, 68RM30-101-10 (See Section 3.5)	
	91-01173-00	Panel Assembly, Electrical, 68RM30-101-15, -17 (See Section 3.5)	
	91-01173-01	Panel Assembly, Electrical, 68RM30-101-16 (See Section 3.5)	
	91-01173-09	Panel Assembly, Electrical, 68RM30-101-22 (See Section 3.5)	
2	68RM55-209-14	Cable Assembly, Battery, Black x 50.00 Inches Long	1
3	22-62186-00	Cable Assembly, Battery, Red x 50.00 Inches Long	1
4	62-62041-04	Label, POS +	1

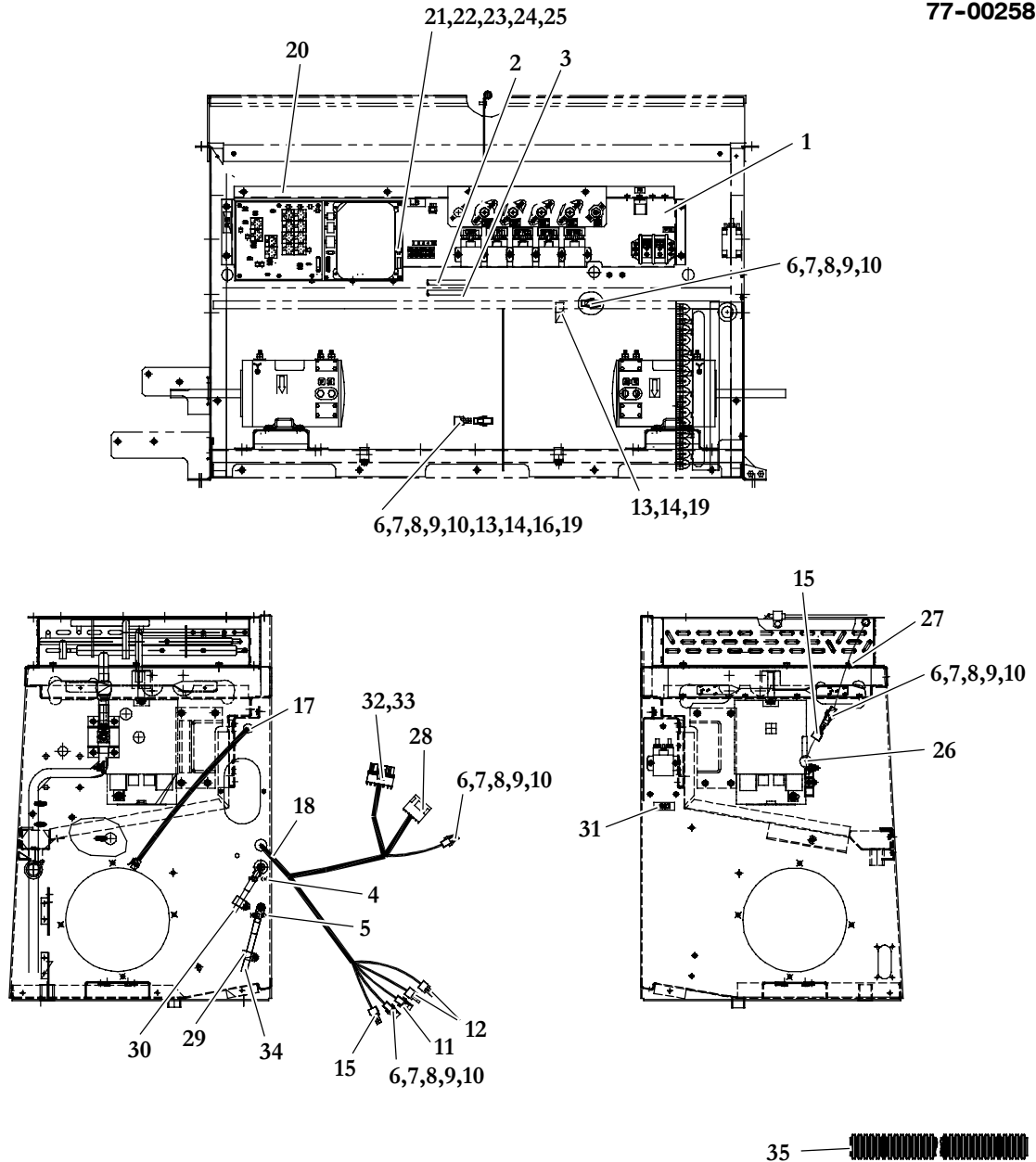


2.5 Electrical Components - Models 68RM30-101-3, -7, -11, -10, -15, -16, -17, -22			
Item	Part Number	Description	Qty
5	62-62041-05	Label, NEG -	1
6	22-02392-00SV	Connector Kit, 2 Pin - Includes:	4
7	NSS	Connector, 2 Pin, Black	1
8	22-02393-00	Terminal, Male (14-16 AWG)	2
9	22-02393-01	Terminal, Male (18-20 AWG)	2
10	22-02394-01	Seal, Cable	2
11	22-02392-01	Connector, 2 Pin, Medium Gray	1
12	22-01585-02	Connector, Male, 2 Pin, Gray	2
13	AC701-237	Connector, 1/2 Inch Romax	2
14	AC301-204	Hose, Valve, Kazoo, 1 Inch x 3 Inches	1
15	AC201-217	Cap, Insulator, Electrical	8
16	22-02126-03	Cap, Insulator, Electrical	8
17	22-01585-00SK	Connector, Male, 2 Pin, Black	3
18	22-02394-00	Seal, Cable, Gray (0.11 - 0.14 Cable OD)	2
19	AC202-210	Tubing, Flexible, 1/2 Inch Closed (25 Feet)	1
20	22-02302-02	Connector, Liquid Tight, 1/2 Inch	3
21	22-02301-02	Tubing, Spiral, Flexible, 1/2 Inch Closed (100 Feet Roll)	1
22	68-62320-00	Cover, Relay Board, Painted	1
23	22-62097-00	Wire Harness, Remote, 63.00 Inches Long - Includes:	1
24	22-50145-00	Connector, Plug, 4 Pin	1
25	22-50152-00	Terminal, Female Receptacle (16-26 AWG)	4
26	22-02394-02	Seal, Cable, Green (0.06 - 0.08 Cable OD)	4
27	22-01566-01	Terminal, Female (18-20 AWG)	4
28	58-00065-85	Grommet, 0.88 ID x 1.12 Hole, 0.09 Inch Groove	1
29	22-62017-00	Cable Assembly, Battery, Black	1
30	22-62018-01	Cable Assembly, Battery, Red, #2 AWG x 118.0 Inches Long	1
31	22-01565-01	Plug, Terminal Cavity	2
32	22-01585-03	Connector, Male, 6 Pin	1
33	44-00102-56	Clamp, Tube, 7/8 Inch OD, With Neoprene Cushion, SST	2
34	58-01368-00	Tubing, Spiral, Corrugated, 1/2 Inch Closed Red (25 Feet Roll)	A/R
35	22-50099-02	Connector, Male, 6 Pin, Black	1



2.6 Electrical Components - Model 68RM30-101-4, -8

Kits 77-00258-00
77-00258-02



Note: Common Parts Are Listed In Section 2.1

Item	Part Number	Description	Qty
1	91-01173-00	Panel Assembly, Electrical, 68RM30-101-4, (See Section 3.6)	1
	91-01173-05	Panel Assembly, Electrical, 68RM30-101-8, (See Section 3.6)	
2	68RM55-209-14	Cable Assembly, Battery, Black x 50.00 Inches Long	1
3	22-62186-00	Cable Assembly, Battery, Red x 50.00 Inches Long	1
4	62-62041-04	Label, POS +	1
5	62-62041-05	Label, NEG -	1
6	22-02392-00SV	Connector Kit, 2 Pin - Includes:	3
7	NSS	Connector, 2 Pin, Black	1

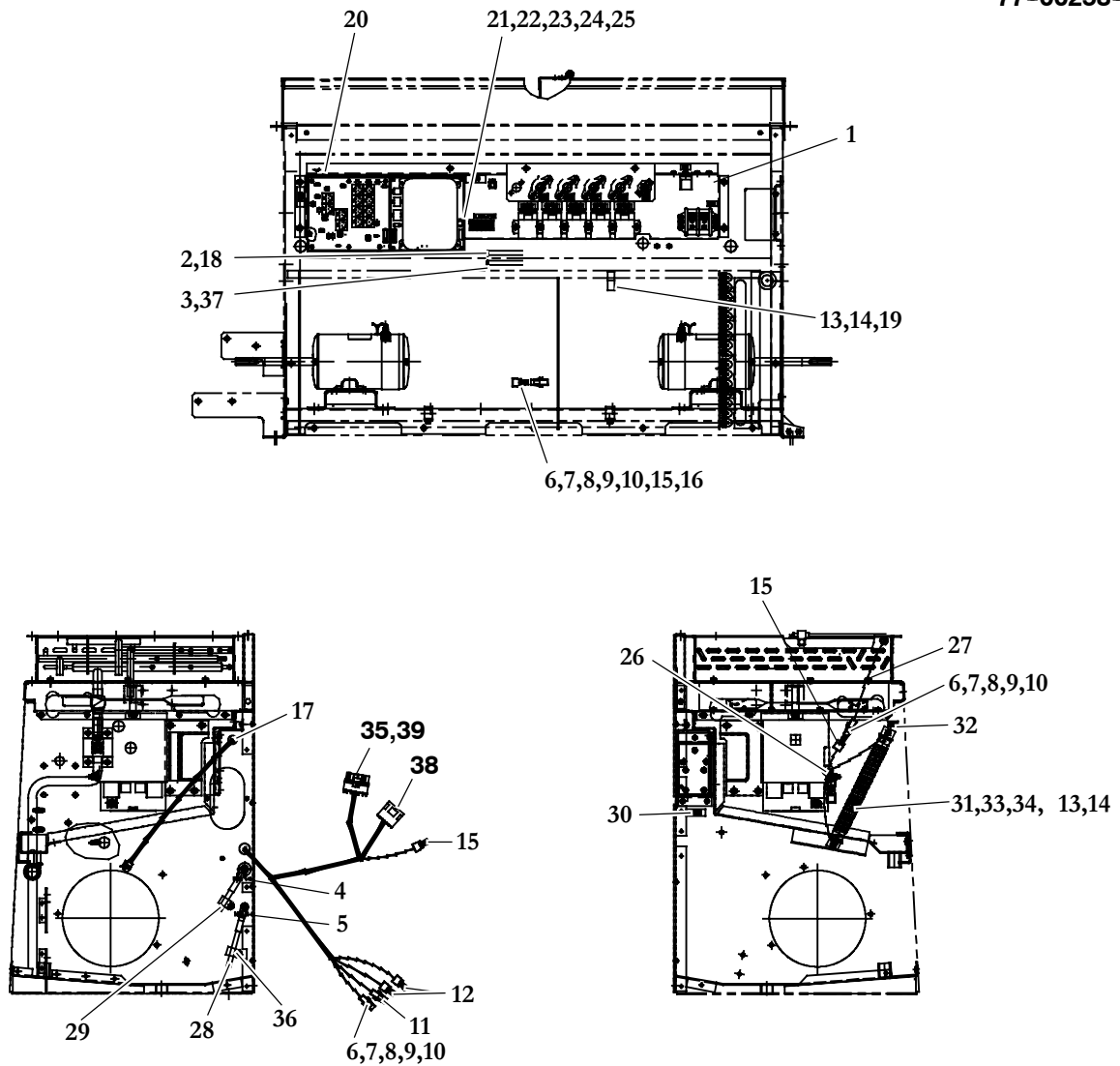


2.6 Electrical Components - Model 68RM30-101-4, -8			
Item	Part Number	Description	Qty
8	22-02393-00	Terminal, Male (14-16 AWG)	2
9	22-02393-01	Terminal, Male (18-20 AWG)	2
10	22-02394-01	Seal, Cable	2
11	22-02392-01	Connector, 2 Pin, Medium Gray	1
12	22-01585-02	Connector, Male, 2 Pin, Gray	2
13	34-06179-01	Bolt, Hex Head, Slotted, SEMS, #10-24 x 1/2 Inch Long, SST	1
14	34-00662-09	Washer, Plain, #10, 0.032 Thick, SST	1
15	22-01585-00SK	Connector, Male, 2 Pin, Black	3
16	22-02394-00	Seal, Cable, Gray (0.11 - 0.14 Cable OD)	2
17	22-02302-02	Connector, Liquid Tight, 1/2 Inch	1
18	22-02301-02	Tubing, Spiral, Flexible, 1/2 Inch Closed (100 Feet Roll)	1
19	34-00663-09	Washer, Split Lock, #10, SST	1
20	68-62320-00	Cover, Relay Board, Painted	1
21	22-62097-00	Wire Harness, Remote, 63.00 Inches Long - Includes:	1
22	22-50145-00	Connector, Plug, 4 Pin	1
23	22-50152-00	Terminal, Female Receptacle (16-26 AWG)	4
24	22-02394-02	Seal, Cable, Green (0.06 - 0.08 Cable OD)	4
25	22-01566-01	Terminal, Female (18-20 AWG)	4
26	58-00065-85	Grommet, 0.88 ID x 1.12 Hole, 0.09 Inch Groove	1
27	44-00102-51	Clamp, Tube, 1/2 Inch OD, With Neoprene Cushion, SST	1
28	22-50099-09	Connector, Female, 6 Pin, Black	1
29	22-62017-00	Cable Assembly, Battery, Black	1
30	22-62018-01	Cable Assembly, Battery, Red, #2 AWG x 118.0 Inches Long	1
31	62-62041-22	Label, ESR	1
32	22-01565-01	Plug, Cavity, Terminal	2
33	22-01585-03	Connector, Male, 6 Pin	1
34	44-00102-06	Clamp, Tube, 7/8 Inch OD, With Neoprene Cushion, SST	2
35	58-01368-00	Tubing, Spiral, Corrugated, 1/2 Inch Closed Red (25 Feet Roll)	A/R



2.7 Electrical Components - Model 68RM30-101-6, -9, -18

Kits 77-00258-01
77-00258-03
77-00258-06



Note: Common Parts Are Listed In Section 2.1

Item	Part Number	Description	Qty
1	91-01173-04	Panel Assembly, Electrical, 68RM30-101-6, (See Section 3.6)	1
	91-01173-06	Panel Assembly, Electrical, 68RM30-101-9, (See Section 3.6)	
	91-01173-02	Panel Assembly, Electrical, 68RM30-101-18, (See Section 3.6)	
2	68RM55-209-14	Cable Assembly, Battery, Black x 50.00 Inches Long	1
3	22-62186-00	Cable Assembly, Battery, Red x 50.00 Inches Long	1
4	62-62041-04	Label, POS +	1
5	62-62041-05	Label, NEG -	1

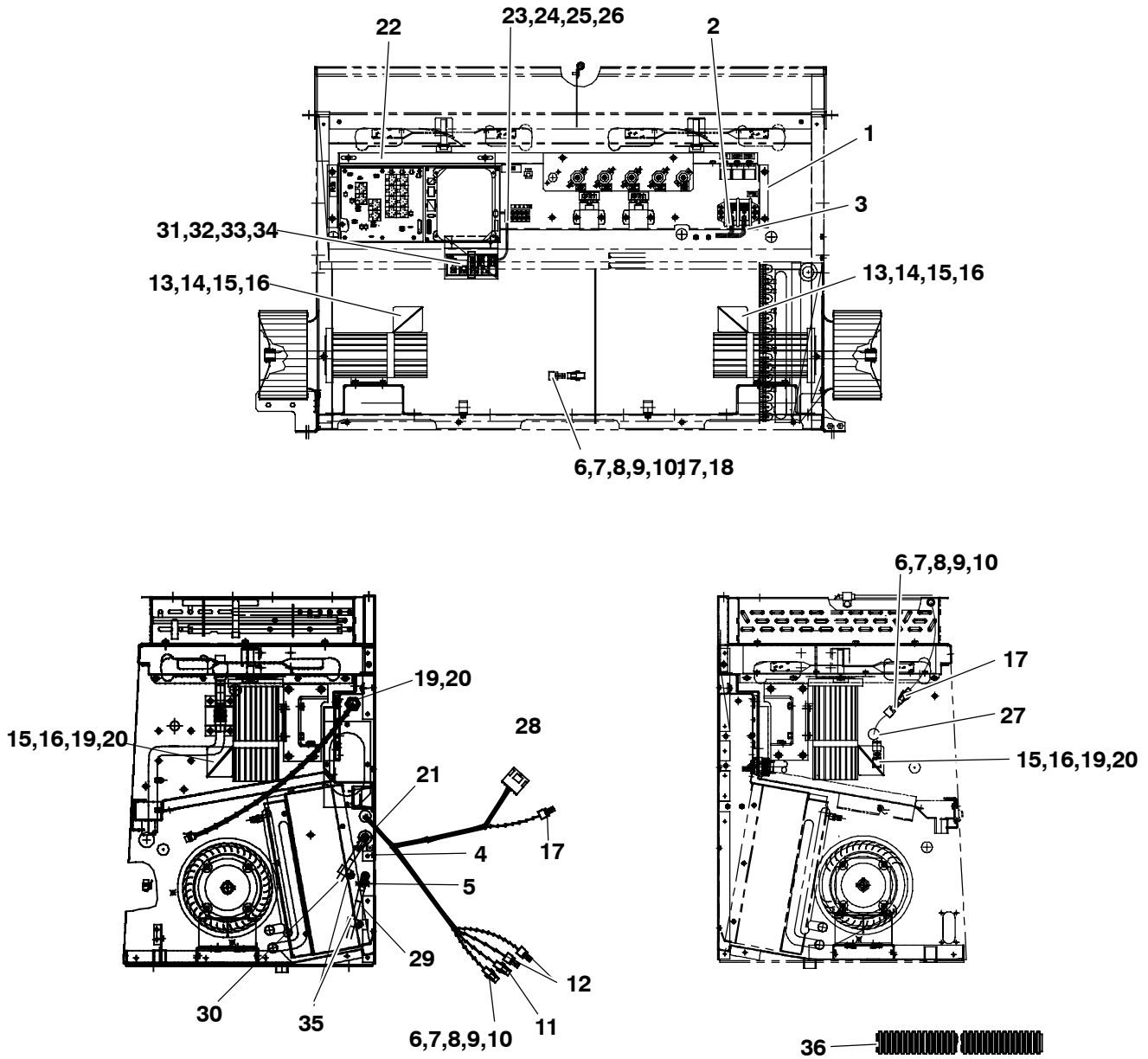


2.7 Electrical Components - Model 68RM30-101-6, -9, -18			
Item	Part Number	Description	Qty
6	22-02392-00SV	Connector Kit, 2 Pin - Includes:	3
7	NSS	Connector, 2 Pin, Black	1
8	22-02393-00	Terminal, Male (14-16 AWG)	2
9	22-02393-01	Terminal, Male (18-20 AWG)	2
10	22-02394-01	Seal, Cable	2
11	22-02392-01	Connector, 2 Pin, Medium Gray	1
12	22-01585-02	Connector, Male, 2 Pin, Gray	2
13	34-06179-01	Bolt, Hex Head, Slotted, SEMS, #10-24 x 0.50 Inch Long, SST	3
14	34-00662-09	Washer, Plain, #10, .032 Thick, SST	5
15	22-01585-00SK	Connector, Male, 2 Pin, Black	3
16	22-02394-00	Seal, Cable, Gray (.11 - .14 Cable OD)	2
17	22-02302-02	Connector, Liquid Tight, 1/2 Inch	1
18	22-02301-02	Tubing, Spiral, Flexible, 1/2 Inch Closed (100 Feet Roll)	1
19	34-00663-09	Washer, Split Lock, #10, SST	1
20	68-62320-00	Cover, Relay Board, Painted	1
21	22-62097-00	Wire Harness, Remote, 63.00 Inches Long - Includes:	1
22	22-50145-00	Connector, Plug, 4 Pin	1
23	22-50152-00	Terminal, Female Receptacle (16-26 AWG)	4
24	22-02394-02	Seal, Cable, Green (.06 - .08 Cable OD)	4
25	22-01566-01	Terminal, Female (18-20 AWG)	4
26	58-00065-85	Grommet, 0.88 ID x 1.12 Hole, .09 Inch Groove	1
27	44-00102-51	Clamp, Tube, 1/2 Inch OD, With Neoprene Cushion, SST	1
28	22-62017-00	Cable Assembly, Battery, Black, #2 AWG x 96.00 Inches Long	1
29	22-62018-01	Cable Assembly, Battery, Red, #2 AWG x 118.00 Inches Long	1
30	62-62041-22	Label, ESR	1
31	22-01584-00	Resistor, 420 Watts, With Mounting Brackets	1
32	62-62041-17	Label, DR1	1
33	34-00667-09	Nut, Hex, Self-Locking #10-24, SST	2
34	22-00872-01	Terminal, Ring, #10, #8 AWG, Red Vinyl	2
35	22-01585-03	Connector, Male, 6 Pin, Black	1
36	44-00102-06	Clamp, Tube, 7/8 Inch OD, With Neoprene Cushion, SST	2
37	58-01368-00	Tubing, Spiral, Corrugated, 1/2 Inch Closed Red (25 Feet Roll)	1
38	22-50099-02	Connector, Male, 6 Pin, Black	1
39	22-01565-01	Plug, Connector Cavity, Green	2



2.8 Electrical Components - Model 68RM30-101-19

Kit 77-00258-07



Note: Common Parts Are Listed In Section 2.1

Item	Part Number	Description	Qty
1	91-01173-07	Panel Assembly, Electrical (See Section 3.5)	1
2	68RM55-209-14	Cable Assembly, Battery, Black x 50.00 Inches Long	1
3	22-62186-00	Cable Assembly, Battery, Red x 50.00 Inches Long	1
4	62-62041-04	Label, POS +	1
5	62-62041-05	Label, NEG -	1

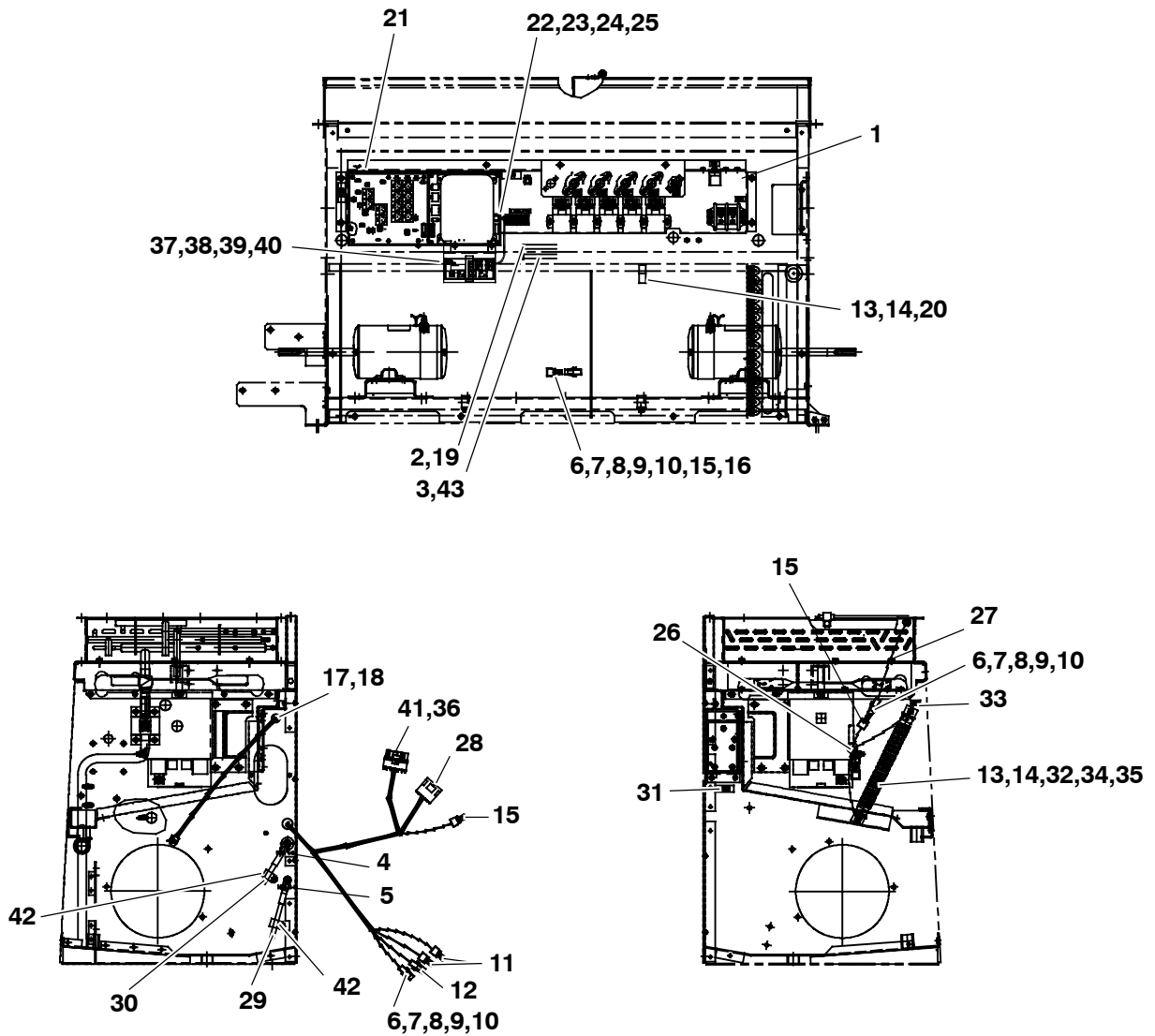


2.8 Electrical Components - Model 68RM30-101-19			
Item	Part Number	Description	Qty
6	22-02392-00SV	Connector Kit, 2 Pin - Includes:	3
7	NSS	Connector, 2 Pin, Black	1
8	22-02393-00	Terminal, Male (14-16 AWG)	2
9	22-02393-01	Terminal, Male (18-20 AWG)	2
10	22-02394-01	Seal, Cable	2
11	22-02392-01	Connector, 2 Pin, Medium Gray	1
12	22-01585-02	Connector, Male, 2 Pin, Gray	2
13	AC701-237	Connector, 1/2 Inch Romax	2
14	AC301-204	Hose, Valve, Kazoo, 1 Inch x 3 Inches	1
15	AC201-217	Terminal, Connector, Closed End	8
16	22-02126-03	Cap, Insulator, Electrical	8
17	22-01585-00SK	Connector, Male, 2 Pin, Black	3
18	22-02394-00	Seal, Cable, Gray (.11 - .14 Cable OD)	2
19	AC202-210	Tubing, Flexible, 1/2 Inch, Closed (25 Feet)	1
20	22-02302-02	Connector, Liquid Tight, 1/2 Inch	3
21	22-02301-02	Tubing, Spiral, Flexible, 1/2 Inch Closed (100 Feet Roll)	1
22	68-62320-00	Cover, Relay Board, Painted	1
23	22-62063-00	Harness, A/C Control, 17.00 Inches Long - Includes:	1
24	22-62026-00	Connector, Plug, 6 Position	1
25	22-50145-00	Connector, Plug, 4 Position	1
26	22-50152-00	Terminal, Female Receptacle (16-26 AWG)	10
27	58-00065-85	Grommet, 0.88 ID x 1.12 Hole, .09 Inch Groove	1
28	22-50099-09	Connector, Male, 6 Pin, Black	1
29	22-62017-00	Cable Assembly, Battery, Black, #2 AWG x 96.00 Inches Long	1
30	22-62018-01	Cable Assembly, Battery, Red, #2 AWG x 118.00 Inches Long	1
31	12-00391-03	Module, Drivers Display (Micromate Control Panel)	1
32	68-62125-00	Clamp, Retaining, Temperature Module, Painted	1
33	68-62402-00	Bracket, Mounting, Drivers Display, Painted	1
34	34-00667-07	Nut, Hex, Self-Locking, #06-32, SST	1
35	44-00102-56	Clamp, Tube, 7/8 Inch OD, With Neoprene Cushion, SST	1
36	58-01368-00	Tubing, Spiral, Corrugated, 1/2 Inch Closed Red (25 Feet Roll)	1



2.9 Electrical Components - Model 68RM30-101-20

Kit 77-00258-08



Note: Common Parts Are Listed In Section 2.1

Item	Part Number	Description	Qty
1	91-01173-08	Panel Assembly, Electrical (See Section 3.3)	1
2	68RM55-209-14	Cable Assembly, Battery, Black x 50.00 Inches Long	1
3	22-62186-00	Cable Assembly, Battery, Red x 50.00 Inches Long	1
4	62-62041-04	Label, POS +	1
5	62-62041-05	Label, NEG -	1

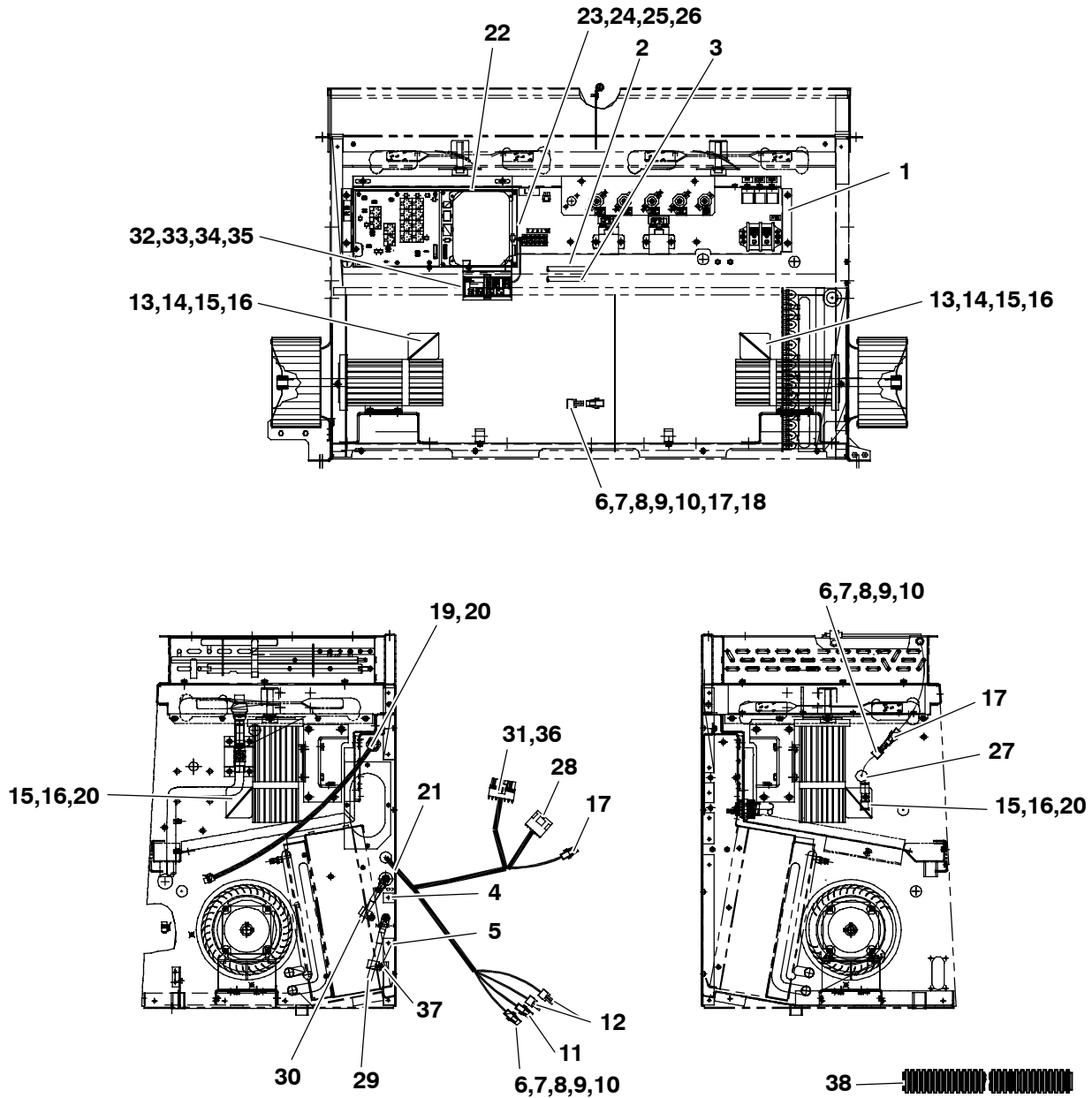


2.9 Electrical Components - Model 68RM30-101-20			
Item	Part Number	Description	Qty
6	22-02392-00SV	Connector Kit, 2 Pin - Includes:	3
7	NSS	Connector, 2 Pin, Black	1
8	22-02393-00	Terminal, Male (14-16 AWG)	2
9	22-02393-01	Terminal, Male (18-20 AWG)	2
10	22-02394-01	Seal, Cable	2
11	22-02392-01	Connector, 2 Pin, Medium Gray	1
12	22-01585-02	Connector, Male, 2 Pin, Gray	2
13	34-06179-01	Bolt, Hex Head, Slotted, SEMS, #10-24 x 0.50 Inch Long, SST	3
14	34-00662-09	Washer, Plain, #10, .032 Thick, SST	5
15	22-01585-00SK	Connector, Male, 2 Pin, Black	3
16	22-02394-00	Seal, Cable, Gray (.11 - .14 Cable OD)	2
17	AC202-210	Tubing, Flexible, 1/2 Inch Closed (25 Feet)	1
18	22-02302-02	Connector, Liquid Tight, 1/2 Inch	1
19	22-02301-02	Tubing, Spiral, Flexible, 1/2 Inch Closed (100 Feet Roll)	1
20	34-00663-09	Washer, Split Lock, #10, SST	1
21	68-62320-00	Cover, Relay Board, Painted	1
22	22-62063-00	Harness, A/C Control, 17.00 Inches Long - Includes:	1
23	22-62026-00	Connector, Plug, 6 Position	1
24	22-50145-00	Connector, Plug, 4 Position	1
25	22-50152-00	Terminal, Female Receptacle (16-26 AWG)	10
26	58-00065-85	Grommet, 0.88 ID x 1.12 Hole, .09 Inch Groove	1
27	44-00102-51	Clamp, Tube, 1/2 Inch OD, With Neoprene Cushion, SST	1
28	22-50099-00	Connector, Male, 6 Pin, Black	1
29	22-62017-00	Cable Assembly, Battery, Black, #2 AWG x 96.00 Inches Long	1
30	22-62018-01	Cable Assembly, Battery, Red, #2 AWG x 118.00 Inches Long	1
31	62-62041-22	Label, ESR	1
32	22-01584-00	Resistor, 420 Watts, With Mounting Brackets	1
33	62-62041-17	Label, DR1	1
34	34-00667-09	Nut, Hex, Self-Locking #10-24, SST	2
35	22-00872-01	Terminal, Ring, #10, #8 AWG, Red Vinyl	2
36	22-01565-01	Plug, Connector Cavity, Green	2
37	12-00391-03	Module, Drivers Display (Micromate Control Panel)	1
38	68-62125-00	Clamp, Retaining, Temperature Module, Painted	1
39	68-62402-00	Bracket, Mounting, Drivers Display, Painted	1
40	34-00667-07	Nut, Hex, Self-Locking #06-32, SST	1
41	22-01585-03	Connector, Male, 6 Pin, Black	1
42	44-00102-56	Clamp, Tube, 7/8 Inch OD, With Neoprene Cushion, SST	2
43	58-01368-00	Tubing, Spiral, Corrugated, 1/2 Inch Closed Red (25 Feet Roll)	1



2.10 Electrical Components - Model 68RM30-101-21

Kit 77-00258-09



Note: Common Parts Are Listed In Section 2.1

Item	Part Number	Description	Qty
1	91-01173-07	Panel Assembly, Electrical (See Section 3.5)	1
2	68RM55-209-14	Cable Assembly, Battery, Black x 50.00 Inches Long	1
3	22-62186-00	Cable Assembly, Battery, Red x 50.00 Inches Long	1
4	62-62041-04	Label, POS +	1
5	62-62041-05	Label, NEG -	1
6	22-02392-00SV	Connector Kit, 2 Pin - Includes:	3
7	NSS	Connector, 2 Pin, Black	1
8	22-02393-00	Terminal, Male (14-16 AWG)	2

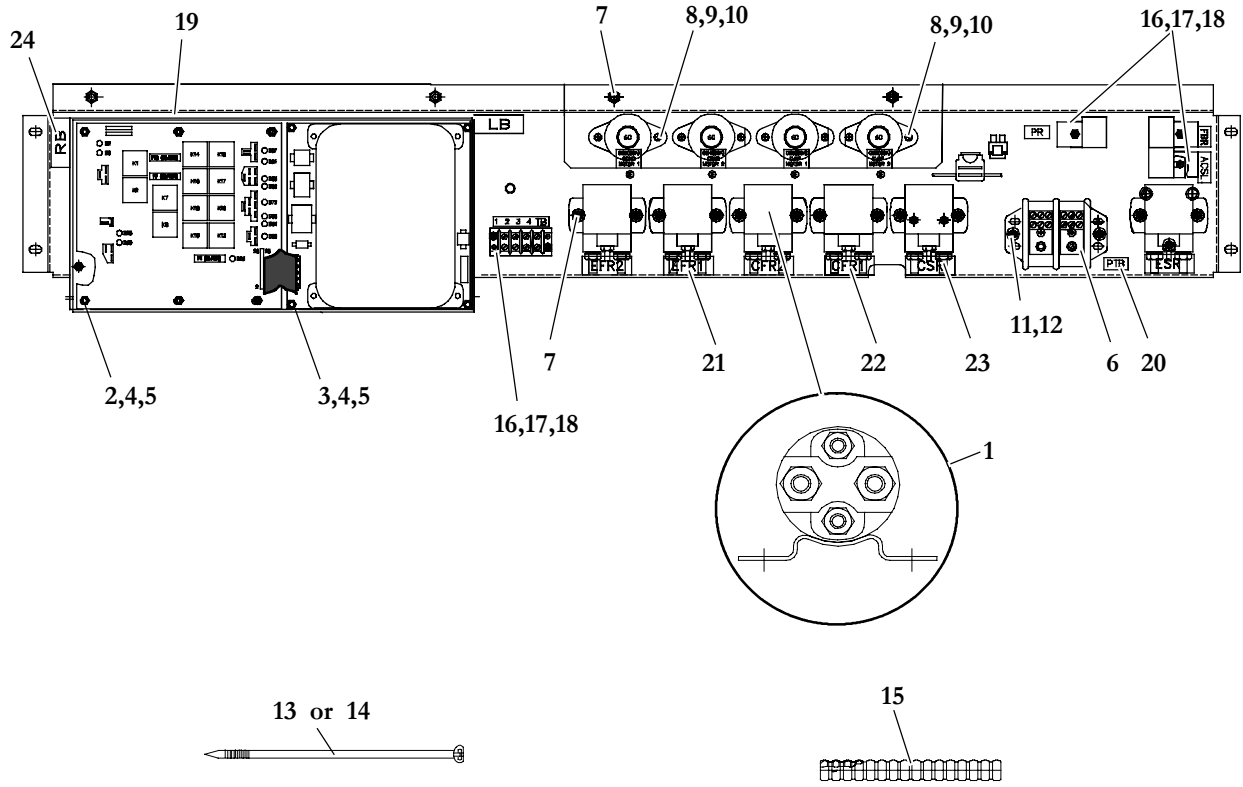


2.10 Electrical Components - Model 68RM30-101-21			
Item	Part Number	Description	Qty
9	22-02393-01	Terminal, Male (18-20 AWG)	2
10	22-02394-01	Seal, Cable	2
11	22-02392-01	Connector, 2 Pin, Medium Gray	1
12	22-01585-02	Connector, Male, 2 Pin, Gray	2
13	AC701-237	Connector, 1/2 Inch Romax	2
14	AC301-204	Hose, Valve, Kazoo, 1 Inch x 3 Inches	1
15	AC201-217	Terminal, Connector, Closed End	8
16	22-02126-03	Cap, Insulator, Electrical	8
17	22-01585-00SK	Connector, Male, 2 Pin, Black	3
18	22-02394-00	Seal, Cable, Gray (.11 - .14 Cable OD)	2
19	AC202-210	Tubing, Flexible, 1/2 Inch, Closed (25 Feet)	1
20	22-02302-02	Connector, Liquid Tight, 1/2 Inch	3
21	22-02301-02	Tubing, Spiral, Flexible, 1/2 Inch Closed (100 Feet Roll)	1
22	68-62320-00	Cover, Relay Board, Painted	1
23	22-62063-00	Harness, A/C Control, 17.00 Inches Long - Includes:	1
24	22-62026-00	Connector, Plug, 6 Position	1
25	22-50145-00	Connector, Plug, 4 Position	1
26	22-50152-00	Terminal, Female Receptacle (16-26 AWG)	10
27	58-00065-85	Grommet, 0.88 ID x 1.12 Hole, .09 Inch Groove	1
28	22-50099-09	Connector, Male, 6 Pin, Black	1
29	22-62017-00	Cable Assembly, Battery, Black, #2 AWG x 96.00 Inches Long	1
30	22-62018-01	Cable Assembly, Battery, Red, #2 AWG x 118.00 Inches Long	1
31	22-01565-01	Plug, Connector Cavity, Green	2
32	12-00391-03	Module, Drivers Display (Micromate Control Panel)	1
33	68-62125-00	Clamp, Retaining, Temperature Module, Painted	1
34	68-62402-00	Bracket, Mounting, Drivers Display, Painted	1
35	34-00667-07	Nut, Hex, Self-Locking, #06-32, SST	1
36	22-01585-03	Connector, Male, 6 Pin, Black	1
37	44-00102-56	Clamp, Tube, 7/8 Inch OD, With Neoprene Cushion, SST	1
38	58-01368-00	Tubing, Spiral, Corrugated, 1/2 Inch Closed Red (25 Feet Roll)	1



3 ELECTRICAL CONTROL PANELS

3.1 Electrical Control Panel - Common Parts



Item	Part Number	Description	Qty
1	10-00300-02	Contactora, 28 VDC, SPNO	A/R
2	34-62000-00	Spacer, Nylon, 5/16 Diameter x 1/2 Inch Long	6
3	34-62000-01	Spacer, Nylon, 5/16 Diameter x 1/4 Inch Long	4
4	58-00511-08	Washer, Nylon	10
5	34-00360-09	Nut, Hex, Self-Locking #10-32, Zinc Plated	10
6	22-01594-00	Terminal Block, Power	1

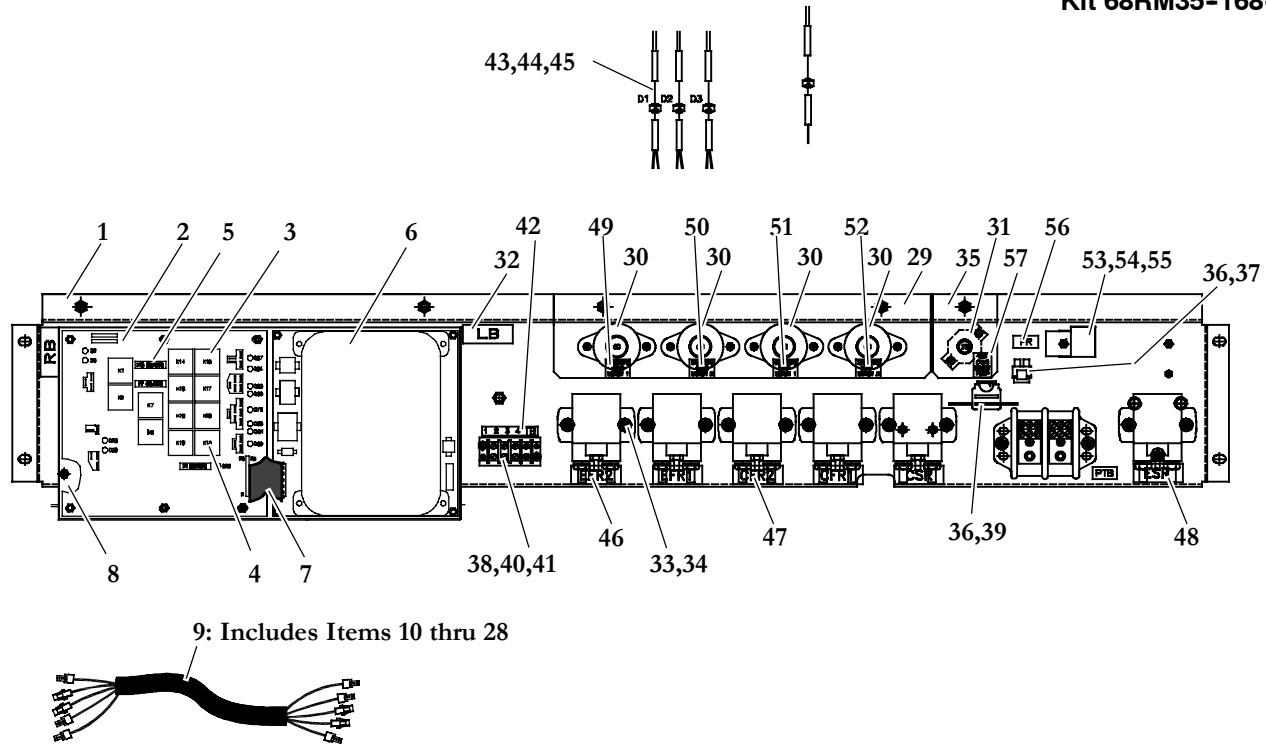


3.1 Electrical Control Panel - Common Parts			
Item	Part Number	Description	Qty
7	34-62055-00	Bolt, Hex Head Sems, With Split Lockwasher, 1/4-20 x 5/8 Long, SST	A/R
8	34-06179-03	Bolt, Hex Head, Slotted, SEMS, #10-24 x 1.00 Inch Long, SST	A/R
9	34-06212-10	Washer, Plain, #10, Type A, SST	A/R
10	34-00667-09	Nut, Hex, Self-Locking #10-24, SST	A/R
11	34-06212-12	Washer, Plain, 1/4 Inch, Type A, SST	2
12	34-00663-11	Washer, Split Lock, 1/4 Inch, SST	2
13	66U1-3882	Wire Tie, Self-Locking, 7.00 Inches	A/R
14	58-00079-00	Sta-Strap, Cable Clamp, 0 - 4.00 Inch Diameter, Black	A/R
15	58-00850-00	Tubing, Split, Corrugated, 1.00 Inch ID x 75 Feet Long	1
16	34-06212-08	Washer, Plain, #8, Type A, SST	A/R
17	34-00663-08	Washer, Split Lock, #8, SST	A/R
18	34-06264-04	Screw, Hex Head Slotted, #8-32 x 1/2 Inch Long, SST	A/R
19	42-62005-00	Gasket, Relay Board	1
20	62-62041-26	Label, PTB	1
21	62-62041-20	Label, EFR1	1
22	62-62041-11	Label, CFR1	1
23	62-62041-16	Label, CSR	1
24	62-62041-27	Label, RB	1



3.2 Electrical Control Panel - Model 68RM30-100-1

Kit 68RM35-168-30



Note: Common Parts Are Listed In Section 3.1

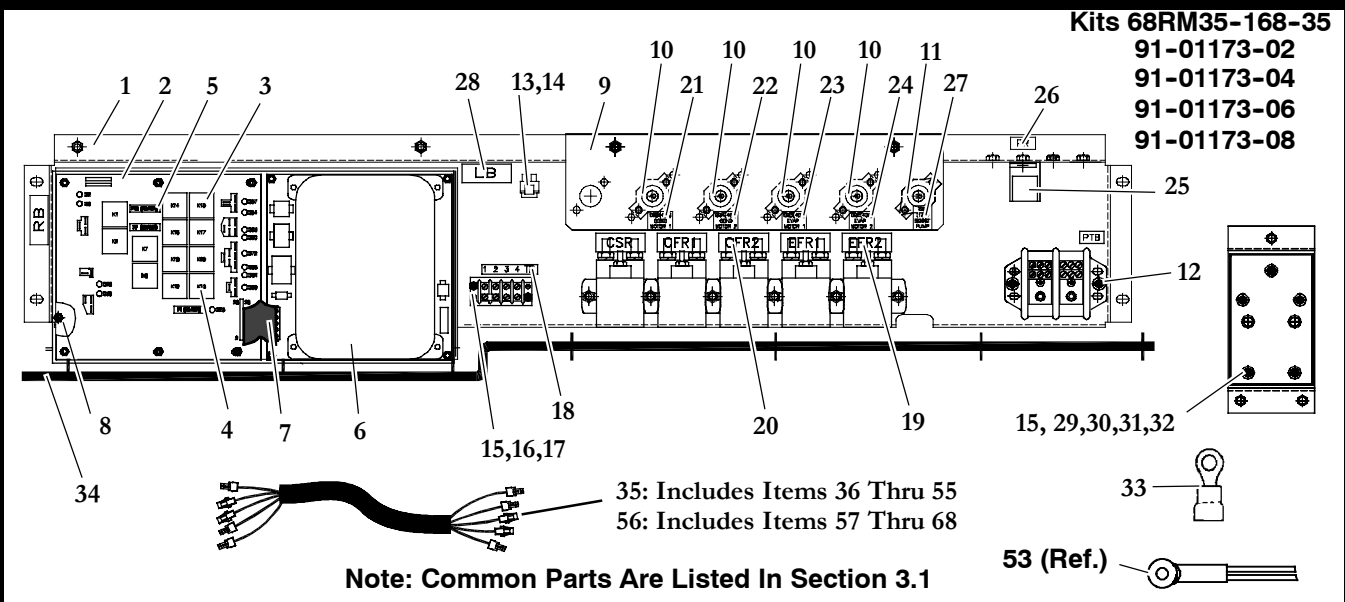
Item	Part Number	Description	Qty
1	68-62477-00	Panel Assembly, Electrical, Painted	1
2	12-00371-01	Board, Relay - Includes:	1
3	10-00286-11	Relay, 24 VDC, 40 Amp, SPDT	11
4	10-00286-12	Relay, 24 VDC, 40 Amp, SPDT (K13 Only)	1
5	22-02336-06	Fuse, 15 Amp	3
6	12-00392-15	Module, Logic Controller 24VDC (300 PSI) - Includes:	1
7	22-50236-00	Harness, Ribbon Cable, 26 Pin (Logic Module to Relay Board)	1
8	68RM40-157	Panel Assembly, Relay Board & Logic Module, Painted	1
9	22-62059-00	Wire Harness, WF/WF Micromax - Includes:	1
10	22-50144-00	Connector, 4 Position, (J1)	1
11	22-50145-00	Connector, 4 Position (J2)	1
12	22-50146-00	Connector, 9 Position (J3)	1
13	22-50143-00	Connector, 15 Position (J4)	1
14	CM983-618	Connector, 24 Position (J6)	1
15	22-50135-00	Connector, Female, 3 Position (JP3) (JP7)	2
16	22-50136-00	Connector, Female, 6 Position (JP4)	1
17	22-50137-00	Connector, Female, 5 Position (JP5)	1
18	22-50138-00	Connector, Female, 4 Position (JP6)	1
19	22-50134-00	Connector, Female, 2 Position (JP8)	1
20	22-50275-00	Connector, Female, 3 Position (JP9)	1
21	22-50153-00	Terminal, Socket, Female (J1)	2
22	22-50152-00	Terminal, Socket, Female (J2,J3,J4,J6)	17



3.2 Electrical Control Panel - Model 68RM30-100-1			
Item	Part Number	Description	Qty
23	22-50148-00	Terminal, Female (JP3 Thru JP9)	21
24	22-01566-01	Terminal, Socket, Female (18-20 AWG)	12
25	22-50122-05	Terminal, Female	6
26	22-02393-01	Terminal, Male (18-20 AWG)	8
27	12-00495-02SV	Thermistor Sensor Kit, Return Air (Replacement For 12-00305-04)	1
28	22-62026-00	Connector, 6 Position (MCP)	1
29	68RM35-1027P	Panel, Circuit Breaker, Painted	1
30	10-00307-01	Breaker, Circuit - 60 AMP	4
31	10-00247-03	Breaker, Circuit - 15 AMP	1
32	62-62041-24	Label, LB	1
33	34-06179-01	Screw, Hex Head Slotted SEMS, #10-24 x 0.50 Inch Long, SST	12
34	34-00663-09	Washer, Split Lock, #10, SST	14
35	68-62442-00	Bracket, Circuit Breaker, Painted	1
36	22-02336-04	Fuse, 10 AMP	2
37	22-01449-00	Clip, Wire & Cord	1
38	34-06264-06	Screw, Hex Head Slotted, #8-32 x 3/4 Inch Long, SST	2
39	22-02338-02	Holder, Fuse	1
40	22-01563-05	Terminal Block, 4 Poles	1
41	22-01612-00	Jumper, Terminal Block, Brass	1
42	62-62040-04	Label, 1,2,3,4 TB	1
43	AC201-600	Diode, In-Line, 6 AMP	4
44	AC201-244	Terminal, Butt Connector, 14-16 AWG	8
45	AC202-209	Tubing, Heat Shrink, 3/16, W/Adhesive	2
46	62-62041-21	Label, EFR2	1
47	62-62041-13	Label, CFR2	1
48	62-62041-22	Label, ESR	1
49	62-62043-07	Label, CB5 (60 A) Cond. Motor 1	1
50	62-62043-05	Label, CB4 (60 A) Cond. Motor 2	1
51	62-62043-03	Label, CB3 (60 A) Evap. Motor 1	1
52	62-62043-01	Label, CB2 (60 A) Evap. Motor 2	1
53	10-00286-09	Relay, 24 VDC, 40 Amp, SPDT	1
54	AC201-931	Lock, Connector	1
55	AC201-901	Connector, Relay Socket	1
56	62-62041-25	Label, PR	1
57	62-62044-00	Label, CB1 (15 A) Boost Pump	1



3.3 Electrical Control Panel - Models 68RM30-100-2, 101-6, -9, -18, -20



Item	Part Number	Description	Qty
1	68-62603-00	Panel Assembly, Electrical, Painted	1
2	12-00371-01	Board, Relay - Includes:	1
3	10-00286-11	Relay, 24 VDC, 40 Amp, SPDT	11
4	10-00286-12	Relay, 24 VDC, 40 Amp, SPDT (K13 Only)	1
5	22-02336-06	Fuse, 15 Amp	3
6	12-00392-15	Module, Logic Controller 24VDC (300 PSI) - Includes:	1
7	22-50236-00	Harness, Ribbon Cable, 26 Pin (Logic Module to Relay Board)	1
8	68RM40-157	Panel Assembly, Relay Board & Logic Module, Painted	1
9	68-62604-00	Panel, Circuit Breaker, Painted	1
10	10-00247-05	Breaker, Circuit - 40 AMP	4
11	10-00247-03	Breaker, Circuit - 15 AMP	1
12	34-00655-08	Bolt, Hex Head, 1/4-20 x 1 Inch Long, SST	2
13	22-02336-04	Fuse, 10 AMP	1
14	22-01449-00	Clip, Wire & Cord	1
15	34-06264-06	Screw, Hex Head Slotted, #08-32 x 3/4 Inch Long, SST	4
16	22-01563-05	Terminal Block, 4 Poles	1
17	22-01612-00	Jumper, Terminal Block, Brass	1
18	62-62040-04	Label, 1,2,3,4 TB	1
19	62-62041-21	Label, EFR2	1
20	62-62041-13	Label, CFR2	1
21	62-62043-06	Label, CB5, (40 A) Cond Motor 1	1
22	62-62043-04	Label, CB4, (40 A) Cond Motor 2	1
23	62-62043-02	Label, CB3, (40 A) Evap Motor 1	1
24	62-62043-00	Label, CB2, (40 A) Evap Motor 2	1
25	10-00286-09	Relay, 24 VDC, 40 Amp, SPDT	1
26	62-62041-25	Label, PR	1
27	62-62044-00	Label, CB1, Boost Pump (15 AMP)	1
28	62-62041-24	Label, LB	1

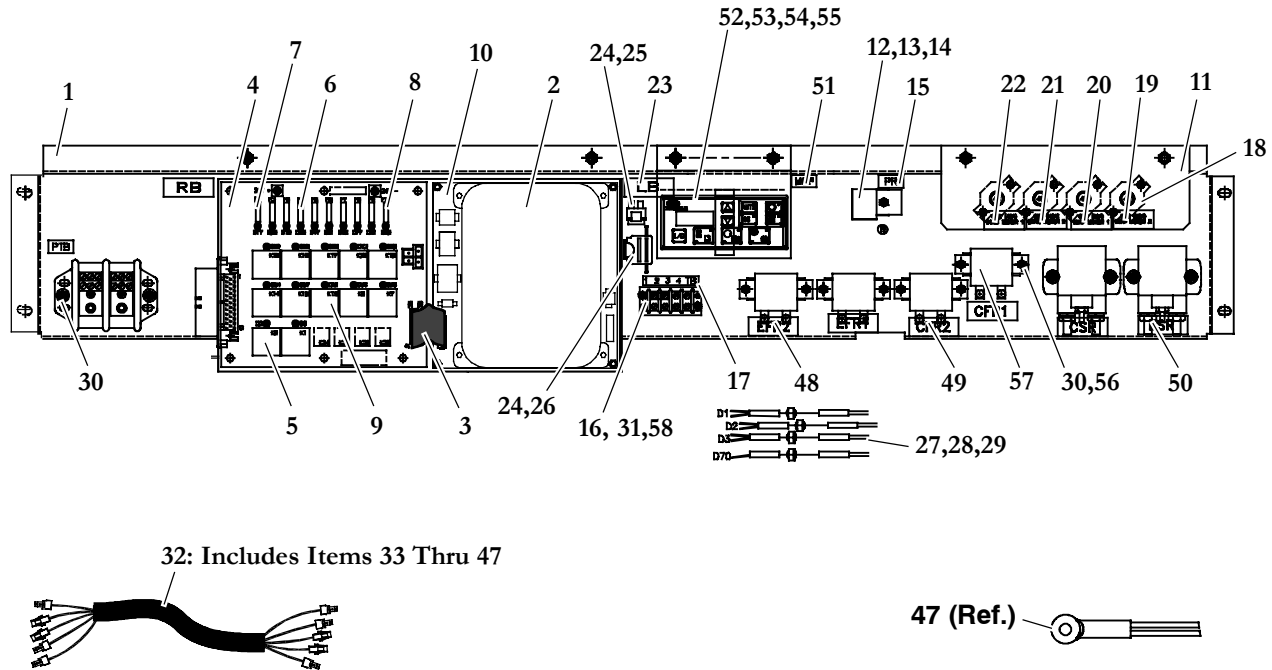


3.3 Electrical Control Panel - Models 68RM30-100-2, 101-6, -9, -18, -20			
Item	Part Number	Description	Qty
29	10-00309-00	Relay, Evaporator Speed, 24 VDC, 20 Amp, DPDT	1
30	10-00314-00	Cover, Relay	1
31	58-00065-27	Grommet, 0.62 ID x 0.88 Hole, 0.125 Inch Groove	2
32	68-62275-00	Bracket Assembly, Relay, Painted	1
33	22-00121-04	Terminal, Ring, #06, 18AWG, Red	2
34	22-62086-00	Wire Harness, Power	1
35	22-62076-00	Wire Harness, Control (PM & WF), Used On 68RM30-100-2, 101-6, -9, -18 - Includes:	1
	22-02901-00	Wire Harness, Control (PM & WF), Used On 68RM30-100-20 - Includes:	
36	22-50144-00	Connector, Housing Kit, 4 Position, (J1)	1
37	22-50153-00	Terminal, Socket, Female (J1)	2
38	CM983-618	Connector, 24 Position (J6)	1
39	22-50152-00	Terminal, Socket, Female (J6)	12
40	22-50135-00	Connector, Female, 3 Position (JP7)	1
41	22-50148-00	Terminal, Female (JP8)	2
42	22-50134-00	Connector, Female, 2 Position (JP8)	1
43	22-50275-00	Connector, Female, 3 Position (JP9)	1
44	22-50346-00	Terminal, Female (JP7) (JP9)	4
45	22-50347-00	Terminal, Female (JP7) (JP9)	4
46	22-50122-05	Terminal, Female (Relay Connector)	4
47	AC201-901	Connector, Relay	1
48	AC201-931	Lock, Connector, Relay	1
49	22-50359-00	Terminal, Socket (J1)	1
50	AC201-600	Diode, In-Line, 6 AMP	2
51	22-02336-04	Fuse, 10 AMP	1
52	22-02338-02	Holder, Fuse	1
53	12-00495-02SV	Thermistor Sensor Kit, (RAS) (Replacement For 12-00305-04)	1
54	22-02336-25	Fuse, 20 AMP (68RM30-101-20 Only)	1
55	22-02338-03	Holder, Fuse, With Cap (68RM30-101-20 Only)	1
56	22-62082-00	Wire Harness, Interface, Used On 68RM30-100-2 - Includes:	1
	22-02885-00	Wire Harness, Interface, Used on 68RM30-101-9, -18, -20 - Includes:	
	22-02886-00	Wire Harness, Interface, Used on 68RM30-101-6 - Includes:	
57	22-50146-00	Connector, 9 Position (J3)	1
58	22-50152-00	Terminal, Socket, Female (J3 & J4)	6
59	22-50143-00	Connector, 15 Position (J4)	1
60	22-50135-00	Connector, Female, 3 Position (JP3)	1
61	22-50148-00	Terminal, Female (JP3, JP4, JP5 & JP6)	A/R
62	22-50136-00	Connector, Female, 6 Position (JP4)	1
63	22-50137-00	Connector, Female, 5 Position (JP5)	1
64	22-50138-00	Connector, Female, 4 Position (JP6)	1
65	22-02392-00SV	Connector Kit, 2 Pin (WPF) - Includes:	1
66	NSS	Connector, 2 Pin, Black	1
67	22-02393-01	Terminal, Male (18-20 AWG)	2
68	22-02394-01	Seal, Cable	2
69	22-01566-01	Terminal, Socket, Female (18-20 AWG)	A/R



3.4 Electrical Control Panel - Model 68RM30-101-2

Kit 91-62009-00



Note: Common Parts Are Listed In Section 3.1

Item	Part Number	Description	Qty
1	68-62490-00	Panel Assembly, Electrical, Painted	1
2	12-00392-15	Module, Logic Controller 24VDC (300 PSI) - Includes:	1
3	22-50236-00	Harness, Ribbon Cable, 26 Pin (Logic Module to Relay Board)	1
4	12-00486-01	Board, Relay - Includes:	1
5	10-00286-11	Relay, 24 VDC, 40 Amp, SPDT	11
6	22-02336-02	Fuse, 5 Amp (F2 thru F9)	8
7	22-02336-08	Fuse, 7-1/2 Amp (F1)	1
8	22-02336-06	Fuse, 15 Amp (F10)	1
9	10-00286-12	Relay, 24 VDC, 40 Amp, SPDT (K13)	1
10	68RM40-157	Panel Assembly, Relay Board & Logic Module, Painted	1
11	68-62448-00	Panel, Circuit Breaker, Painted	1
12	10-00286-09	Relay, 24 VDC, 40 Amp, SPDT	1
13	AC201-931	Lock, Connector	1
14	AC201-901	Connector, Relay Socket	1
15	62-62041-25	Label, PR	1
16	22-01563-05	Terminal Block, 4 Poles	1
17	62-62040-04	Label, 1,2,3,4 TB	1
18	10-00247-05	Breaker, Circuit - 40 AMP	4
19	62-62043-00	Label, CB2 (40 A) Evap. Motor 2	1
20	62-62043-02	Label, CB3 (40 A) Evap. Motor 1	1
21	62-62043-04	Label, CB4 (40 A) Cond. Motor 2	1
22	62-62043-06	Label, CB5 (40 A) Cond. Motor 1	1



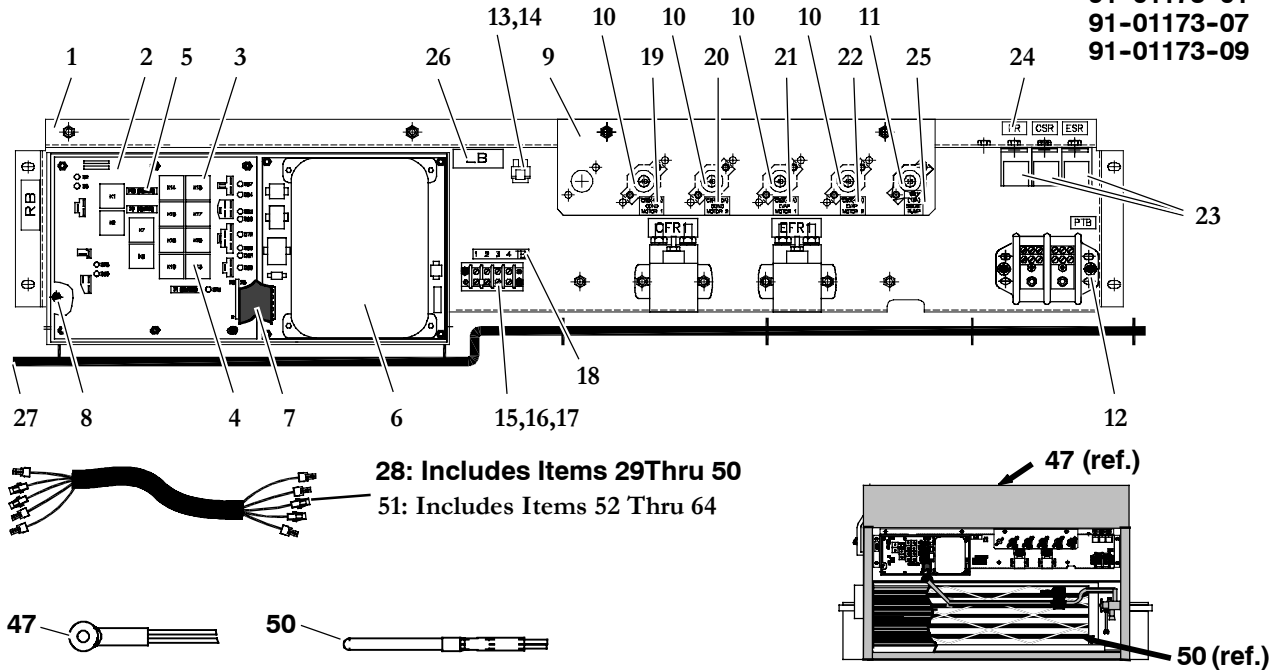
3.4 Electrical Control Panel - Model 68RM30-101-2			
Item	Part Number	Description	Qty
23	62-62041-24	Label, LB	1
24	22-02336-04	Fuse, 10 AMP	2
25	22-01449-00	Clip, Wire & Cord	1
26	22-02338-02	Holder, Fuse	1
27	AC201-600	Diode, In-Line, 6 AMP	4
28	AC201-244	Terminal, Butt Connector, 14-16 AWG	8
29	AC202-209	Tubing, Heat Shrink, 3/16, W/Adhesive	2
30	34-00663-09	Washer, Split Lock, #10, SST	10
31	34-06264-06	Screw, Hex Head Slotted, #8-32 x 3/4 Inch Long, SST	2
32	22-62048-00	Wire Harness, PM Motors, Micromax - Includes:	1
33	22-50144-00	Connector, 4 Position, (J1)	1
34	22-50145-00	Connector, 4 Position (J2)	1
35	22-50146-00	Connector, 9 Position (J3)	1
36	22-50143-00	Connector, 15 Position (J4)	1
37	CM983-618	Connector, 24 Position (J6)	1
38	22-50098-16	Connector, 35 Position (JA)	1
39	22-62026-00	Connector, 6 Position (MCP)	1
40	22-50098-19	Terminal, Socket (JA)	23
41	22-50153-00	Terminal, Socket, Female (J1)	2
42	22-50152-00	Terminal, Socket, Female (J2,J3,J4,J6)	25
43	22-50148-00	Terminal, Female (JB)	3
44	22-01566-01	Terminal, Socket, Female (18-20 AWG)	12
45	22-50122-05	Terminal, Female	6
46	22-02393-01	Terminal, Male (18-20 AWG)	8
47	12-00495-02SV	Thermistor Sensor Kit, Return Air (Replacement For 12-00305-04)	1
48	62-62041-21	Label, EFR2	1
49	62-62041-13	Label, CFR2	1
50	62-62041-22	Label, ESR	1
51	62-62007-00	Label, MCP	1
52	68-62125-00	Clamp, Retaining, Micromate, Painted	1
53	34-00667-07	Nut, Hex, Self-Locking #6-32, SST	1
54	68-62449-00	Bracket, Support, Micromate, Painted	1
55	12-00391-03	Module, Drivers Display (Micromate Control Panel)	1
56	34-06179-01	Screw, Hex Head Slotted SEMS, #10-24 x 0.50 Inch Long, SST	8
57	AC201-803	Solenoid, Contactor, 24 VDC	4
58	22-01612-00	Jumper, Terminal Block, Brass	1



3.5 Electrical Control Panel - Model 68RM30-101-3, -7, -10, -11, -15, -16, -17, -19, -21, -22

Note: Common Parts Are Listed In Section 3.1

Kits 68RM35-168-32
68RM35-168-42
91-01173-00
91-01173-01
91-01173-07
91-01173-09



Item	Part Number	Description	Qty
1	68-62603-00	Panel Assembly, Electrical, Painted	1
2	12-00371-01	Board, Relay - Includes:	1
3	10-00286-11	Relay, 24 VDC, 40 Amp, SPDT	11
4	10-00286-12	Relay, 24 VDC, 40 Amp, SPDT (K13 Only)	1
5	22-02336-06	Fuse, 15 Amp	3
6	12-00392-15	Module, Logic Controller 24VDC (300 PSI) Used On Models 68RM30-101-3, -7, -11, -15, -17, -19, -21, -22 - Includes:	1
	12-00392-16	Module, Logic Controller 24VDC (350 PSI) Used On Models 68RM30-101-10, -16 - Includes:	
7	22-50236-00	Harness, Ribbon Cable, 26 Pin (Logic Module to Relay Board)	1
8	68RM40-157	Panel Assembly, Relay Board & Logic Module, Painted	1
9	68-62604-00	Panel, Circuit Breaker, Painted	1
10	10-00247-05	Breaker, Circuit - 40 AMP	4
11	10-00247-03	Breaker, Circuit - 15 AMP	1
12	34-00655-08	Bolt, Hex Head, 1/4-20 x 1 Inch Long, SST	2
13	22-02336-04	Fuse, 10 AMP	1
14	22-01449-00	Clip, Wire & Cord	1
15	34-06264-06	Screw, Hex Head Slotted, #08-32 x 3/4 Inch Long, SST	2
16	22-01563-05	Terminal Block, 4 Poles	1
17	22-01612-00	Jumper, Terminal Block, Brass	1
18	62-62040-04	Label, 1,2,3,4 TB	1
19	62-62043-06	Label, CB5, (40 A) Cond Motor 1	1
20	62-62043-04	Label, CB4, (40 A) Cond Motor 2	1



3.5 Electrical Control Panel - Model 68RM30-101-3, -7, -10, -11, -15, -16, -17, -19, -21, -22 (Continued)			
Item	Part Number	Description	Qty
21	62-62043-02	Label, CB3, (40 A) Evap Motor 1	1
22	62-62043-00	Label, CB2, (40 A) Evap Motor 2	1
23	10-00286-09	Relay, 24 VDC, 40 Amp, SPDT	3
24	62-62041-25	Label, PR	1
25	62-62044-00	Label, CB1, Boost Pump (15 AMP)	1
26	62-62041-24	Label, LB	1
27	22-62080-00	Wire Harness, Power	1
28	22-62077-00	Wire Harness, Control (PM & WF), Used on 68RM30-101-3, -7, -10, -11, -15, -16, -17 - Includes:	1
	22-02894-00	Wire Harness, Control (PM & WF), Used on 68RM30-101-19, -21 - Includes:	
	22-62313-00	Wire Harness, Control (PM & WF), Used on 68RM30-101-22 - Includes:	
29	22-50144-00	Connector, Housing Kit, 4 Position, (J1)	1
30	22-50153-00	Terminal, Socket, Female (J1)	4
31	CM983-618	Connector, 24 Position (J6)	1
32	22-50152-00	Terminal, Socket, Female (J6)	24
33	22-50135-00	Connector, Female, 3 Position (JP7)	1
34	22-50148-00	Terminal, Female (JP7, JP8 & JP9)	8
35	22-50134-00	Connector, Female, 2 Position (JP8)	1
36	22-50275-00	Connector, Female, 3 Position (JP9)	1
37	22-50122-05	Terminal, Female (Relay Connector)	12
38	22-50122-15	Terminal, Female	8
39	22-50346-00	Terminal, Female (JP7) (JP9)	3
40	22-50347-00	Terminal, Female (JP7) (JP9)	4
41	AC201-901	Connector, Relay	3
42	AC201-931	Lock, Connector, Relay	3
43	22-50359-00	Terminal, Socket (J1)	1
44	AC201-600	Diode, In-Line, 6 AMP	2
45	22-02336-04	Fuse, 10 AMP	1
46	22-02338-02	Holder, Fuse	1
47	12-00495-02SV	Thermistor Sensor Kit, (RAS) (Replacement For 12-00305-04)	1
48	22-02336-25	Fuse, 20 AMP (68RM30-101-19, -21, -22 Only)	1
49	22-02338-03	Holder, Fuse, With Cap (68RM30-101-19, -21, -22 Only)	1
50	12-00523-00	Thermistor, FTS (Replacement For 12-00523-02) (68RM30-101-22 Only)	1
51	22-62082-00	Wire Harness, Interface, Used on 68RM30-101-3, -7, -10, -11 - Includes:	1
	22-02863-00	Wire Harness, Interface, Used on 68RM30-101-16 - Includes:	
	22-02885-00	Wire Harness, Interface, Used on 68RM30-101-15, -17, -19, -21, -22 - Includes:	
52	22-50146-00	Connector, 9 Position (J3)	1
53	22-50152-00	Terminal, Socket, Female (J3 & J4)	6
54	22-50143-00	Connector, 15 Position (J4)	1
55	22-50135-00	Connector, Female, 3 Position (JP3)	1
56	22-50148-00	Terminal, Female (JP3, JP4, JP5 & JP6)	A/R

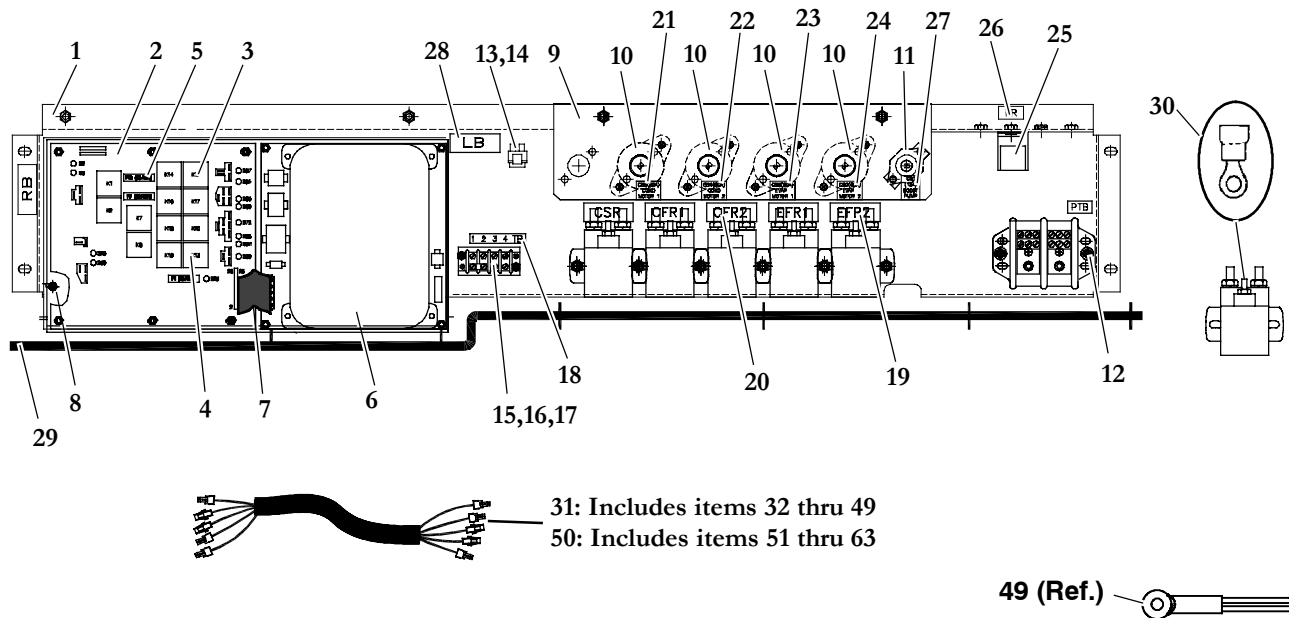


3.5 Electrical Control Panel - Model 68RM30-101-3, -7, -10, -11, -15, -16, -17, -19, -21, -22 (Continued)			
Item	Part Number	Description	Qty
57	22-50136-00	Connector, Female, 6 Position (JP4)	1
58	22-50137-00	Connector, Female, 5 Position (JP5)	1
59	22-50138-00	Connector, Female, 4 Position (JP6)	1
60	22-02392-00SV	Connector Kit, 2 Pin (WPF) - Includes:	1
61	NSS	Connector, 2 Pin, Black	1
62	22-02393-01	Terminal, Male (18-20 AWG)	2
63	22-02394-01	Seal, Cable	2
64	22-01566-01	Terminal, Socket, Female (18-20 AWG)	A/R



3.6 Electrical Control Panel - Model 68RM30-101-4, -8

Kits 91-01173-03
91-01173-05



Note: Common Parts Are Listed In Section 3.1

Item	Part Number	Description	Qty
1	68-62603-00	Panel Assembly, Electrical, Painted	1
2	12-00371-01	Board, Relay - Includes:	1
3	10-00286-11	Relay, 24 VDC, 40 Amp, SPDT	11
4	10-00286-12	Relay, 24 VDC, 40 Amp, SPDT (K13 Only)	1
5	22-02336-06	Fuse, 15 Amp	3
6	12-00392-15	Module, Logic Controller 24VDC (300 PSI), Model 68RM30-101-4	1
	12-00392-16	Module, Logic Controller 24VDC (350 PSI), Model 68RM30-101-8	
7	22-50236-00	Harness, Ribbon Cable, 26 Pin (Logic Module to Relay Board)	1
8	68RM40-157	Panel Assembly, Relay Board & Logic Module, Painted	1
9	68-62604-00	Panel, Circuit Breaker, Painted	1
10	10-00307-01	Breaker, Circuit - 60 AMP	4
11	10-00247-03	Breaker, Circuit - 15 AMP	1
12	34-00655-08	Bolt, Hex Head, 1/4-20 x 1 Inch Long, SST	2
13	22-02336-04	Fuse, 10 AMP	1
14	22-01449-00	Clip, Wire & Cord	1
15	34-06264-06	Screw, Hex Head Slotted, #08-32 x 3/4 Inch Long, SST	2
16	22-01563-05	Terminal Block, 4 Poles	1
17	22-01612-00	Jumper, Terminal Block, Brass	1
18	62-62040-04	Label, 1,2,3,4 TB	1
19	62-62041-21	Label, EFR2	1
20	62-62041-13	Label, CFR2	1
21	62-62043-07	Label, CB5 (60 A) Cond Motor 1	1
22	62-62043-05	Label, CB4, (60 A) Cond Motor 2	1
23	62-62043-03	Label, CB3, (60 A) Evap Motor 1	1
24	62-62043-01	Label, CB2, (60 A) Evap Motor 2	1



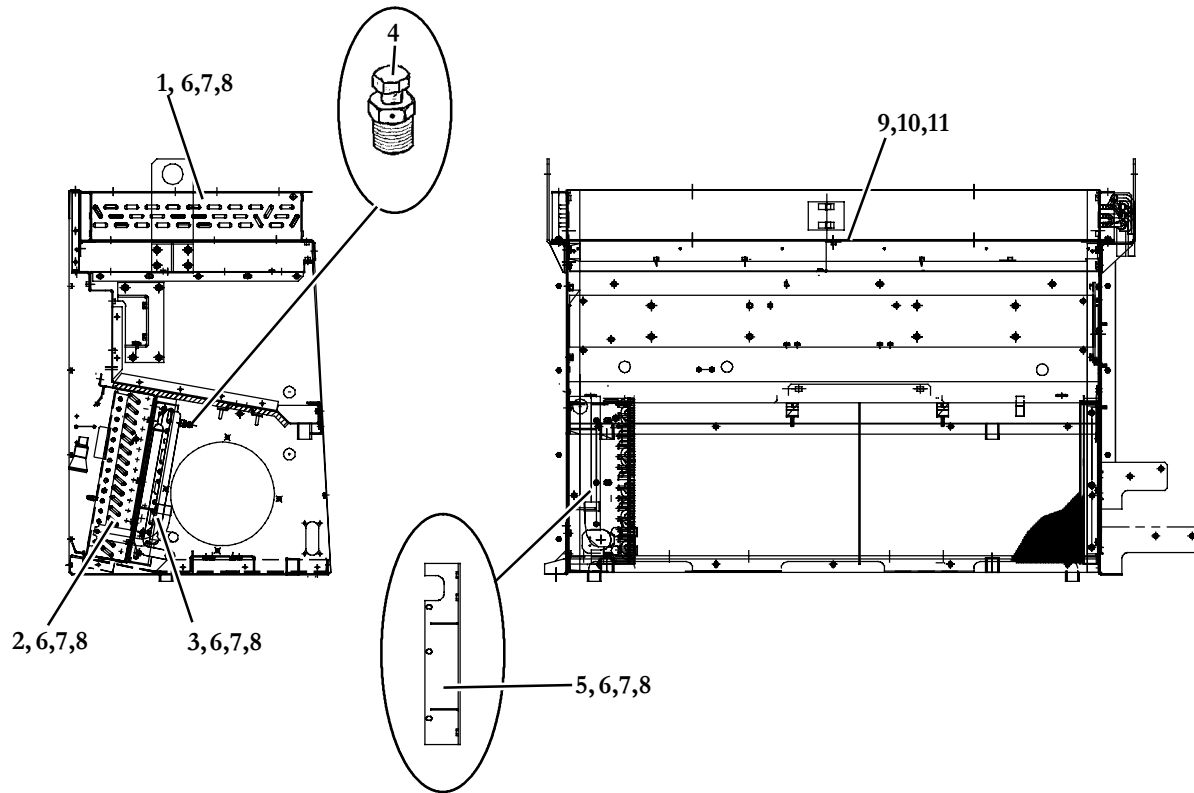
3.6 Electrical Control Panel - Model 68RM30-101-4, -8			
Item	Part Number	Description	Qty
25	10-00286-09	Relay, 24 VDC, 40 Amp, SPDT	1
26	62-62041-25	Label, PR	1
27	62-62044-00	Label, CB1, Boost Pump (15 AMP)	1
28	62-62041-24	Label, LB	1
29	22-62087-00	Wire Harness, Power	1
30	22-00121-27	Terminal, Ring, #10, 22-16 AWG, Red Vinyl	2
31	22-62076-00	Wire Harness, Control (PM & WF) - Includes:	1
32	22-50144-00	Connector, Housing Kit, 4 Position, (J1)	1
33	22-50153-00	Terminal, Socket, Female (J1)	2
34	CM983-618	Connector, 24 Position (J6)	1
35	22-50152-00	Terminal, Socket, Female (J6)	12
36	22-50135-00	Connector, Female, 3 Position (JP7)	1
37	22-50148-00	Terminal, Female (JP8)	12
38	22-50134-00	Connector, Female, 2 Position (JP8)	1
39	22-50275-00	Connector, Female, 3 Position (JP9)	1
40	22-50346-00	Terminal, Female (JP7) (JP9)	4
41	22-50347-00	Terminal, Female (JP7) (JP9)	4
42	22-50122-05	Terminal, Female (Relay Connector)	4
43	AC201-901	Connector, Relay	1
44	AC201-931	Lock, Connector, Relay	1
45	22-50359-00	Terminal, Socket (J1)	1
46	AC201-600	Diode, In-Line, 6 AMP	2
47	22-02336-04	Fuse, 10 AMP	1
48	22-02338-02	Holder, Fuse	1
49	12-00495-02SV	Thermistor Sensor Kit, (RAS) (Replacement For 12-00305-04)	1
50	22-02885-00	Wire Harness, Interface - Includes:	1
51	22-50146-00	Connector, 9 Position (J3)	1
52	22-50152-00	Terminal, Socket, Female (J3 & J4)	6
53	22-50143-00	Connector, 15 Position (J4)	1
54	22-50135-00	Connector, Female, 3 Position (JP3)	1
55	22-50148-00	Terminal, Female (JP3, JP4, JP5 & JP6)	A/R
56	22-50136-00	Connector, Female, 6 Position (JP4)	1
57	22-50137-00	Connector, Female, 5 Position (JP5)	1
58	22-50138-00	Connector, Female, 4 Position (JP6)	1
59	22-02392-00SV	Connector Kit, 2 Pin (WPF) - Includes:	1
60	NSS	Connector, 2 Pin, Black	1
61	22-02393-01	Terminal, Male (18-20 AWG)	2
62	22-02394-01	Seal, Cable	2
63	22-01566-01	Terminal, Socket, Female (18-20 AWG)	A/R



4 COIL KIT

4.1 Coil Kit - Models 68RM30-100-1, 101-2

Kit 68RM35-121-7

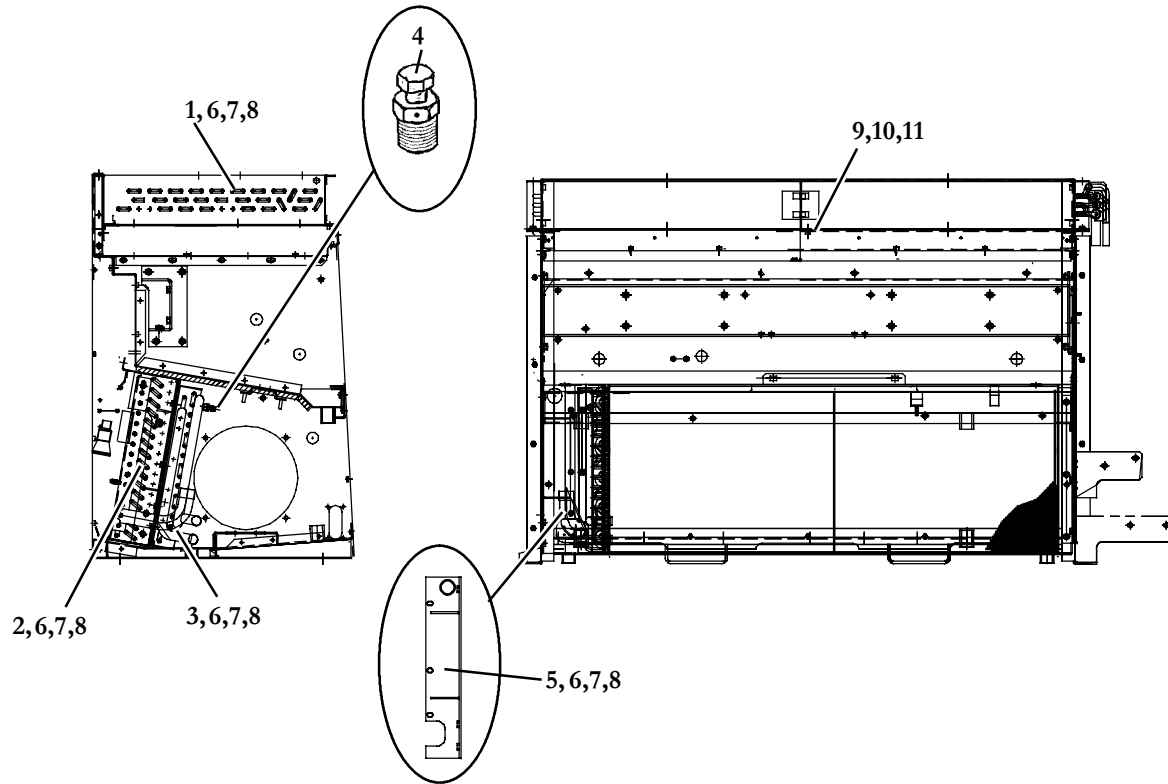


Item	Part Number	Description	Qty
1	08-62014-02	Coil Assembly, Condenser (Aluminum/Copper)	1
2	08-62015-00	Coil Assembly, Evaporator (Aluminum/Copper)	1
3	AC101-626	Coil Assembly, Heater (Aluminum/Copper) - Includes:	1
4	40-00081-00	Fitting, Air Vent, 1/8 MPT, Brass	1
5	86-62068-01	Bracket Assembly, Coil Support, Evaporator	1
6	34-00792-06	Screw, Cap, Hex Head, 5/16-18 x 3/4 Inch Long, SST	23
7	34-00663-12	Washer, Split Lock, 5/16 Inch, SST	23
8	34-00662-12	Washer, Flat, 5/16 Inch, SST	23
9	34-00655-06	Screw, Cap, Hex Head, 1/4-20 x 3/4 Inch Long, SST	3
10	34-00663-11	Washer, Split Lock, 1/4 Inch, SST	3
11	34-00662-11	Washer, Flat, 1/4 Inch, SST	3



4.2 Coil Kit - Models 68RM30-100-2, 101-3, -4, -6, -7, -8, -9, -10, -11, -15, -16, -17, -18, -19, -20, -21, -22

Kit 68RM35-121-11



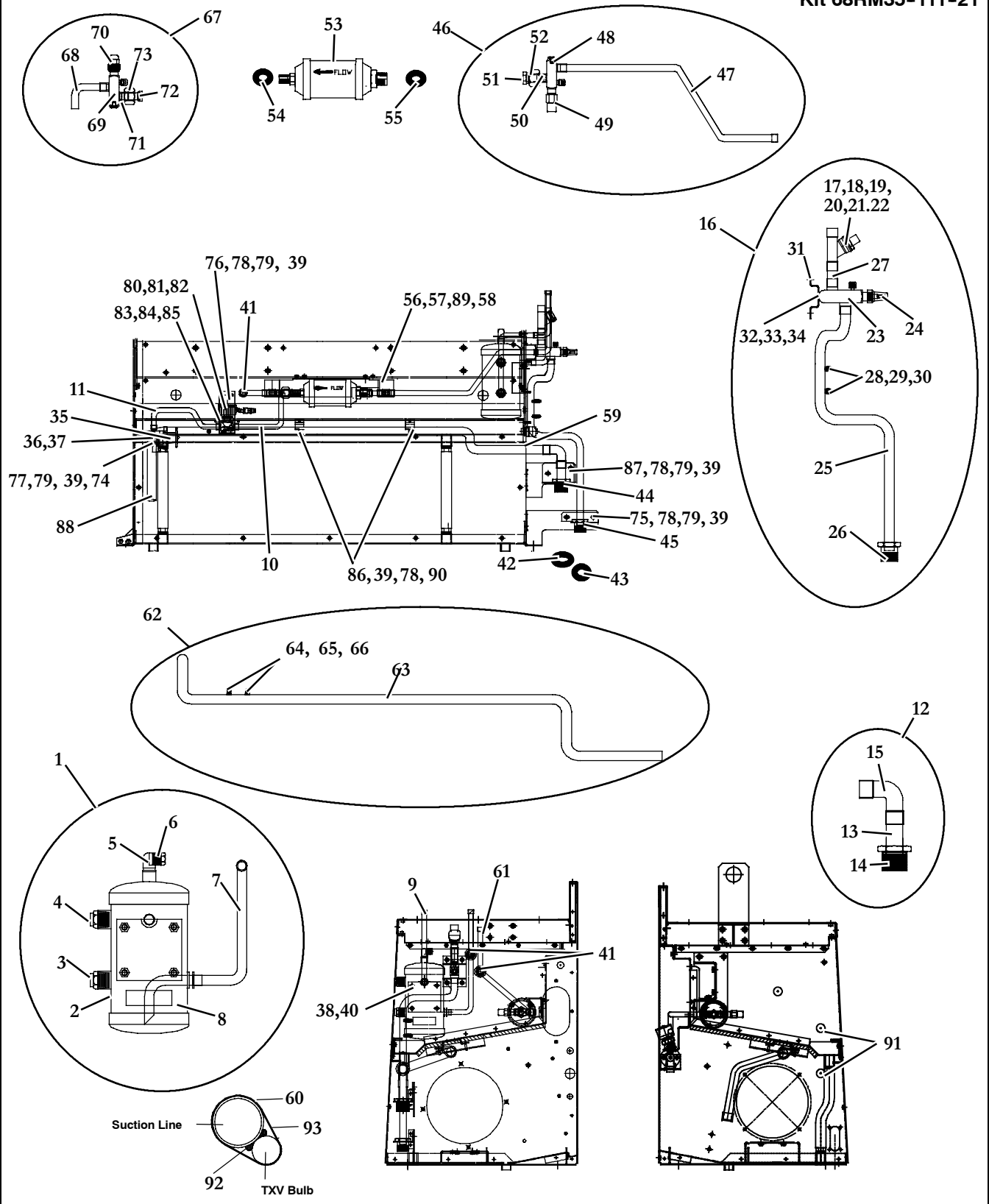
Item	Part Number	Description	Qty
1	08-62014-02	Coil Assembly, Condenser (Aluminum/Copper)	1
2	08-62015-00	Coil Assembly, Evaporator (Aluminum/Copper)	1
3	AC101-626	Coil Assembly, Heater (Aluminum/Copper) - Includes:	1
4	40-00081-00	Fitting, Air Vent, 1/8 MPT, Brass	1
5	86-62209-00	Bracket Assembly, Coil Support, Evaporator	1
6	34-00792-06	Screw, Cap, Hex Head, 5/16-18 x 3/4 Inch Long, SST	22
7	34-00663-12	Washer, Split Lock, 5/16 Inch, SST	22
8	34-00662-12	Washer, Flat, 5/16 Inch, SST	22
9	34-00655-06	Screw, Cap, Hex Head, 1/4-20 x 3/4 Inch Long, SST	3
10	34-00663-11	Washer, Split Lock, 1/4 Inch, SST	3
11	34-00662-11	Washer, Flat, 1/4 Inch, SST	3



5 REFRIGERANT PIPING KIT - R-22 MODELS

5.1 Refrigerant Piping Kit - Model 68RM30-100-1

Kit 68RM35-111-21



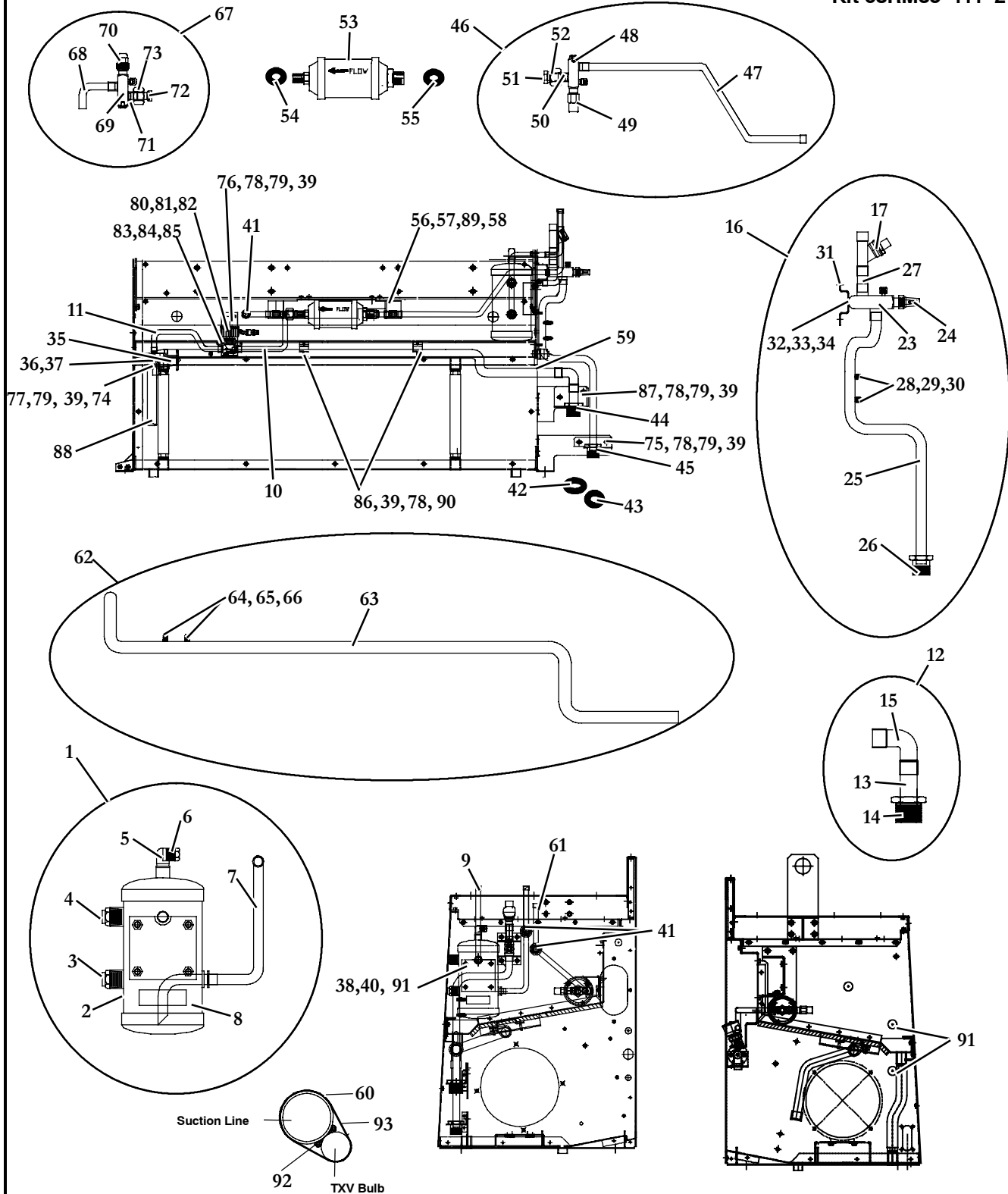


5.1 Refrigerant Piping Kit - Model 68RM30-100-1			
Item	Part Number	Description	Qty
1	81-62012-00	Receiver Tank And Tubing Assembly - Includes:	1
2	AC901-580	Label, Sightglass Wet/Dry	1
3	AC101-203	Sightglass, Indicator, Moisture, 7/8-14	1
4	14-00111-00	Sight Glass, Receiver (Red Ball Float)	1
5	40-00060-03	Elbow, Street, 90 Degree, 3/8 FPT x 3/8 MPT	1
6	14-01032-01	Plug, Fusible, Safety, 3/8 NPTF	1
7	56-62064-00	Tube, Liquid, Bent, 5/8 OD x .040 Wall Copper	1
8	65-01093-00	Receiver Assembly, Plugged, Painted	1
9	56-03639-00	Tube, Liquid, Bent, 5/8 OD x .040 Wall Copper	1
10	56-62089-00	Tube, Liquid, Bent, Solenoid Valve, 5/8 OD x .040 Wall Copper	1
11	56-62088-00	Tube, Liquid, Bent, 5/8 OD x .040 Wall Copper, Solenoid To TXV	1
12	81-62023-00	Tube Assembly, Suction, R-22 - Includes:	1
13	56-62146-21	Tube, Suction, Straight, 1-1/8 OD x .050 Wall x 3.25 Inches Long, Copper	1
14	40-00491-01	Fitting, ORS, 7/8 ODF x 1-7/16-12	1
15	40-00071-46	Elbow, 90 Degree, Long Radius, Copper, 1-1/8 ODS	1
16	81-62030-00	Tube Assembly, Discharge, R-22 - Includes:	1
17	14-00281-04	Valve, Check, 7/8 ODF - Includes:	1
18	14-50050-01	Spring And Piston/Seat Assembly - Includes:	1
19	73-50006-00	Spring, Check, Valve, SST	1
20	16-03301-00	Gasket, Check Valve	1
21	14-50093-00	Disk, Spacer, Check Valve Cap	1
22	14-50051-00	Cap, Check Valve	1
23	40-00501-08	Valve, King, Brass, 7/8 ODF	1
24	40-00501-50	Cap, King Valve, Service Part	1
25	56-62055-00	Tube, Discharge, Bent, 7/8 OD x .045 Wall Copper	1
26	40-00491-00	Fitting, ORS, 7/8 x 1 7/16-12	1
27	99TS1445CK002100	Tube, Discharge, Straight, 7/8 OD x .045 Wall x 2.12 Inches Long, Copper	1
28	40-01124-00	Body, Valve, Schrader, Brass 1/4 SAE Flare - Includes:	2
29	14-00351-00	Core, Access Valve (Nickel Plated)	1
30	DD19CA061	Cap, Seal, Flare, 1/4 Inch	1
31	68RM55-124P	Bracket Assembly, Valve Mounting, Painted	1
32	34-00855-04	Screw, Cap Hex Head, 3/8 -24 x 1/2 Inch Long, SST	1
33	34-00663-13	Washer, Split Lock, 3/8 Inch, SST	1
34	34-00662-13	Washer, Flat, 3/8 Inch, SST	1
35	56-62207-00	Tube Assembly, Equalizer, 1/4 OD x .028 Wall Copper	1
36	66U1-1214-5	Body, Flange, Thermal Expansion Valve, 5/8 ODF Inlet x 7/8 ODF Outlet	1
37	14-01104-48	Valve, Thermal Expansion, Less Flange, 5 Tons, R-22	1
38	34-00807-08	Screw, Cap Hex Head, 3/8 -16 x 1.00 Inch Long, SST	4
39	34-00662-11	Washer, Flat, 1/4 Inch, SST	18
40	34-00662-13	Washer, Flat, 3/8 Inch, SST	4
41	58-00065-85	Grommet, 0.88 ID x 1.12 Hole, .090 Inch Groove	3
42	42-00243-01	O-Ring, 1.19 ID x 0.139 Thick	1
43	42-00243-00	O-Ring, 0.921 ID x 0.139 Thick	1



5.1 Refrigerant Piping Kit - Model 68RM30-100-1 (Continued)

Kit 68RM35-111-21





5.1 Refrigerant Piping Kit - Model 68RM30-100-1 (Continued)			
Item	Part Number	Description	Qty
44	34-06088-01	Nut, Hex Head, ORS 1.125 x 1.69 -12, Plated Steel	1
45	34-06088-00	Nut, Hex Head, ORS 0.88 x 1.43 -12, Plated Steel	1
46	81-62028-00	Valve And Liquid Tubing Assembly - Includes:	1
47	56-62087-00	Tube, Liquid, Bent, 5/8 OD x .040W Copper	1
48	40-00501-06	Valve, King, Brass, 5/8 ODF, R-22	1
49	40-00501-50	Cap, King Valve, Service Part	1
50	56-00143-75	Tube, Straight, 5/8 OD x .040W Copper x 1.62 Inches Long	1
51	40-00503-04	Collar, Tube - 5/8 ORS, Nickel Plated Steel	1
52	34-06121-04	Nut, Hex, ORS Braze (1-3/16-12 Threads)	1
53	14-00320-00	Drier, Filter 3/4 ORS x 5/8 ORS - Includes:	1
54	42-00243-03	O-Ring, .614 ID x .070 Thick	1
55	42-00243-11	O-Ring, .739 ID x .070 Thick	1
56	68-62266-00	Bracket, Valve, Painted	1
57	34-00799-04	Screw, Cap Hex Head, 5/16-24 x 1/2 Inch Long, SST	2
58	34-00662-12	Washer, Flat, 5/16 Inch, SST	2
59	58-00065-86	Grommet, 1.12 ID x 1.38 Hole, 0.125 Inch Groove	1
60	44-00045-03	Clamp, Hose, Worm Type (7/8 - 1-3/4)	2
61	56-62065-00	Tube, Liquid, Bent, 5/8 OD x .040 Wall Copper	2
62	81-62024-00	Tube Assembly, Suction - Includes:	1
63	56-62083-00	Tube, Liquid, Bent, 1-1/8 OD x .050W Copper	1
64	40-01124-00	Body, Valve, Schrader, Brass 1/4 SAE Flare - Includes:	2
65	14-00351-00	Core, Access Valve (Nickel Plated)	1
66	DD19CA061	Cap, Seal, Flare, 1/4 Inch	1
67	81-62029-00	Tube Assembly, Liquid - Includes:	1
68	68RM35-1162-4	Tube, Liquid, Bent, 5/8 OD x .040W Copper	1
69	40-00501-06	Valve, King, Brass, 5/8 ODF, R-22	1
70	40-00501-50	Cap, King Valve, Service Part	1
71	56-00143-75	Tube, Straight, 5/8 OD x .040W Copper x 1.62 Inches Long	1
72	40-00503-03	Collar, Tube - 5/8 ORS, Brass	1
73	34-06121-03	Nut, Hex, ORS Braze (1-14 Threads)	1
74	34-00667-11	Nut, Hex, Self-Locking, 1/4-20, SST	2
75	68-62307-00	Bracket, Support, Discharge Tube, Painted	1
76	68-62158-00	Bracket, Support, Solenoid Valve, Painted	1
77	68-62114-02	Bracket, Support, TXV, Painted	1
78	34-00663-11	Washer, Split Lock, 1/4 Inch, SST	14
79	34-00655-06	Screw, Cap Hex Head, 1/4-20 x 3/4 Inch Long, SST	14
80	14-00236-00	Valve, Solenoid, 5/8 ODF x 7/8 ODM - Includes:	1
81	14-00236-50	Coil, Solenoid Valve, 24 VDC	1
82	14-00236-51	Repair Kit, Solenoid Valve	1
83	34-00663-08	Washer, Split Lock, #8, SST	2
84	34-06264-03	Screw, Hex Head, Slotted With Washer, #8-32 x 0.38 Inch Long, SST	2
85	34-00662-08	Washer, Flat, #8, SST	2
86	44-00337-12	Clamp, Tube, Cushioned, 1-1/8, SST	2
87	68-62306-02	Bracket, Support, Suction Tube, Painted	1

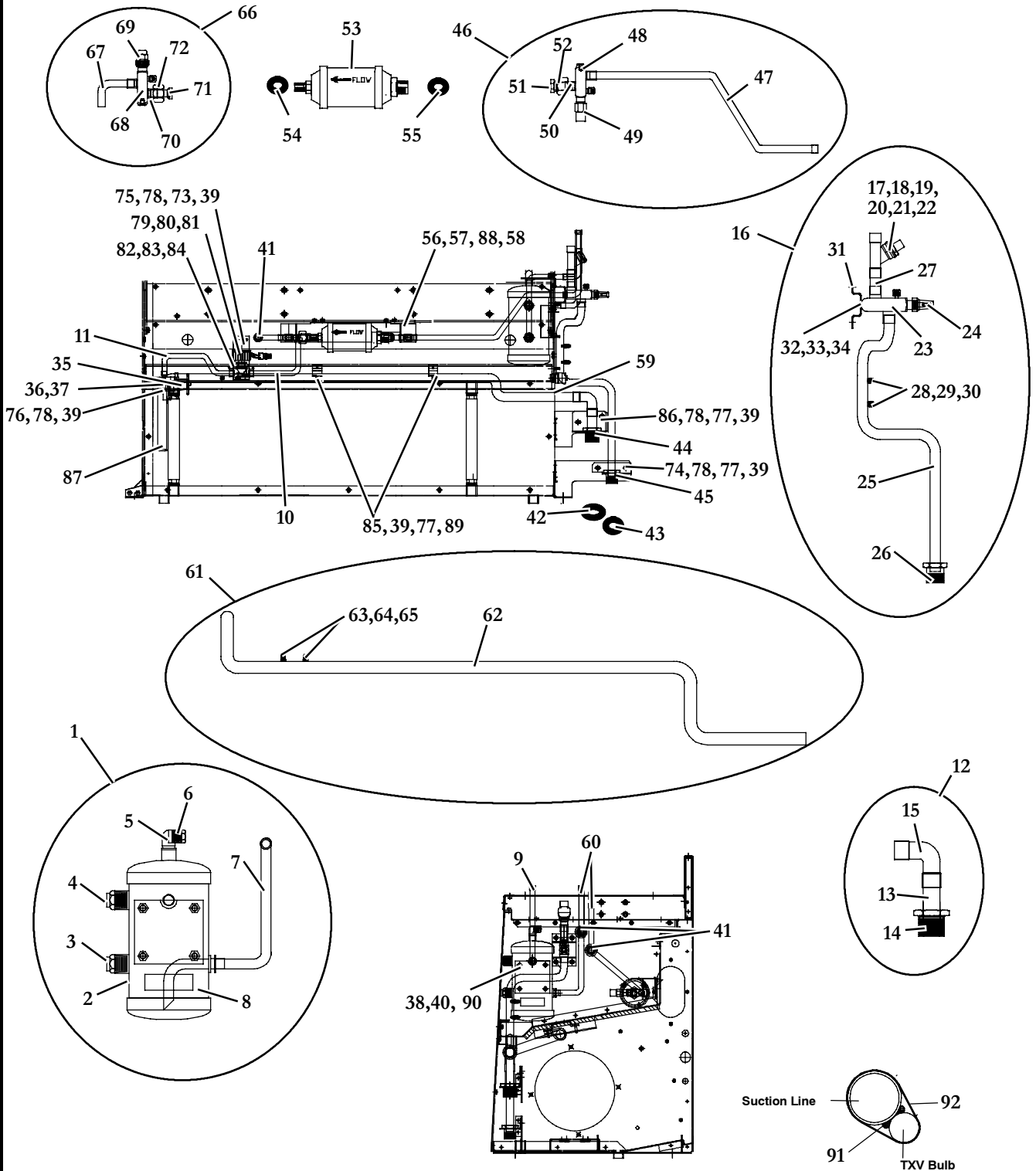


5.1 Refrigerant Piping Kit - Model 68RM30-100-1 (Continued)			
Item	Part Number	Description	Qty
88	40-00201-15	Bushing, Tube, Flush, 1-3/8 ODM x 1-1/8 ODS	1
89	34-00663-12	Washer, Split Lock, 5/16 Inch, SST	2
90	34-00666-11	Nut, Hex Head, 1/4-20, SST	2
91	58-00616-03	Plug, Hole, Black Nylon, 1.125 Diameter	2
92	02-00010-01	Grease, Thermomastic, 6cc Syringe	1
93	42-00032-00	Tape, Insulation, Presstite, 2.00 x 30.00 Feet Long	1



5.2 Refrigerant Piping Kit - Model 68RM30-100-2

Kit 68RM35-111-22



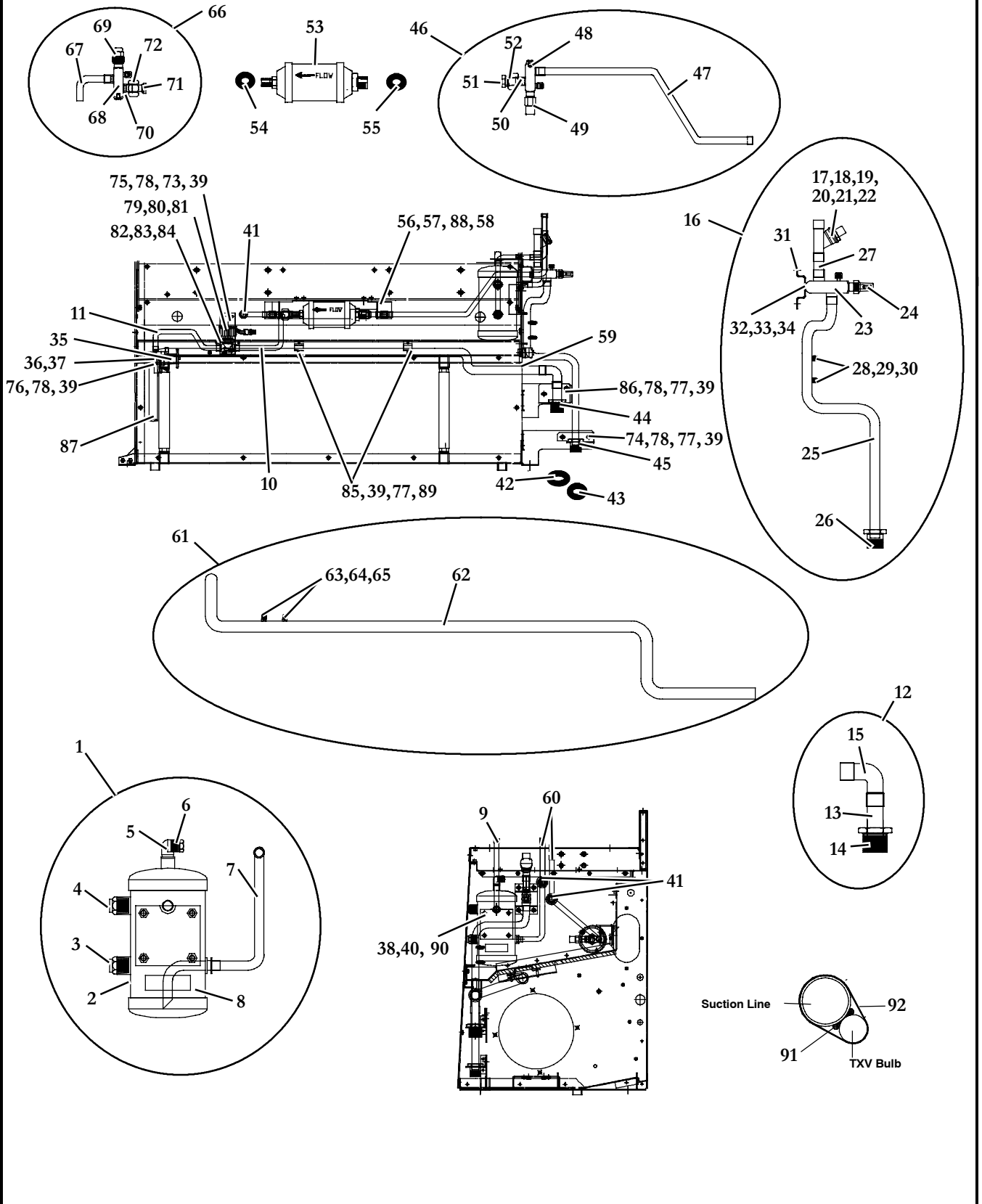


5.2 Refrigerant Piping Kit - Model 68RM30-100-2			
Item	Part Number	Description	Qty
1	81-62012-00	Receiver Tank And Tubing Assembly - Includes:	1
2	AC901-580	Label, Sightglass Wet/Dry	1
3	AC101-203	Sightglass, Indicator, Moisture, 7/8-14	1
4	14-00111-00	Sight Glass, Receiver (Red Ball Float)	1
5	40-00060-03	Elbow, Street, 90 Degree, 3/8 FPT x 3/8 MPT	1
6	14-01032-01	Plug, Fusible, Safety, 3/8 NPTF	1
7	56-62064-00	Tube, Liquid, Bent, 5/8 OD x .040 Wall Copper	1
8	65-01093-00	Receiver Assembly, Plugged, Painted	1
9	56-03639-00	Tube, Liquid, Bent, 5/8 OD x .040 Wall Copper	1
10	56-62089-00	Tube, Liquid, Bent, Solenoid Valve, 5/8 OD x .040 Wall Copper	1
11	56-62141-00	Tube, Liquid, Bent, 5/8 OD x .040 Wall Copper, Solenoid To TXV	1
12	81-62023-00	Tube Assembly, Suction, R-22 - Includes:	1
13	56-62146-21	Tube, Suction, Straight, 1-1/8 OD x .050 Wall x 3.25 Inches Long, Copper	1
14	40-00491-01	Fitting, ORS, 7/8 ODF x 1-7/16-12	1
15	40-00071-46	Elbow, 90 Degree, Long Radius, Copper, 1-1/8 ODS	1
16	81-62030-00	Tube Assembly, Discharge, R-22 - Includes:	1
17	14-00281-04	Valve, Check, 7/8 ODF - Includes:	1
18	14-50050-01	Spring And Piston/Seat Assembly - Includes:	1
19	73-50006-00	Spring, Check, Valve, SST	1
20	16-03301-00	Gasket, Check Valve	1
21	14-50093-00	Disk, Spacer, Check Valve Cap	1
22	14-50051-00	Cap, Check Valve	1
23	40-00501-08	Valve, King, Brass, 7/8 ODF	1
24	40-00501-50	Cap, King Valve, Service Part	1
25	56-62055-00	Tube, Discharge, Bent, 7/8 OD x .045 Wall Copper	1
26	40-00491-00	Fitting, ORS, 7/8 x 1 7/16-12	1
27	99TS1445CK002100	Tube, Discharge, Straight, 7/8 OD x .045 Wall x 2.12 Inches Long, Copper	1
28	40-01124-00	Body, Valve, Schrader, Brass 1/4 SAE Flare - Includes:	2
29	14-00351-00	Core, Access Valve (Nickel Plated)	1
30	DD19CA061	Cap, Seal, Flare, 1/4 Inch	1
31	68RM55-124P	Bracket Assembly, Valve Mounting, Painted	1
32	34-00855-04	Screw, Cap Hex Head, 3/8 -24 x 1/2 Inch Long, SST	1
33	34-00663-13	Washer, Split Lock, 3/8 Inch, SST	1
34	34-00662-13	Washer, Flat, 3/8 Inch, SST	1
35	56-62207-00	Tube Assembly, Equalizer, 1/4 OD x .028 Wall Copper	1
36	66U1-1214-5	Body, Flange, Thermal Expansion Valve, 5/8 ODF Inlet x 7/8 ODF Outlet	1
37	14-01104-48	Valve, Thermal Expansion, Less Flange, 5 Tons, R-22	1
38	34-00807-08	Screw, Cap Hex Head, 3/8 -16 x 1.00 Inch Long, SST	4
39	34-00662-11	Washer, Flat, 1/4 Inch, SST	16
40	34-00662-13	Washer, Flat, 3/8 Inch, SST	4
41	58-00065-85	Grommet, 0.88 ID x 1.12 Hole, 0.090 Inch Groove	3
42	42-00243-01	O-Ring, 1.19 ID x 0.139 Thick	1
43	42-00243-00	O-Ring, 0.921 ID x 0.139 Thick	1



5.2 Refrigerant Piping Kit - Model 68RM30-100-2 (Continued)

Kit 68RM35-111-22





5.2 Refrigerant Piping Kit - Model 68RM30-100-2 (Continued)			
Item	Part Number	Description	Qty
44	34-06088-01	Nut, Hex Head, ORS 1.125 x 1.69 -12, Plated Steel	1
45	34-06088-00	Nut, Hex Head, ORS 0.88 x 1.43 -12, Plated Steel	1
46	81-62083-00	Valve And Liquid Tubing Assembly - Includes:	1
47	56-62173-00	Tube, Liquid, Bent, 5/8 OD x .040W Copper	1
48	40-00501-06	Valve, King, Brass, 5/8 ODF, R-22	1
49	40-00501-50	Cap, King Valve, Service Part	1
50	56-00143-75	Tube, Straight, 5/8 OD x .040W Copper x 1.62 Inches Long	1
51	40-00503-04	Collar, Tube - 5/8 ORS, Nickel Plated Steel	1
52	34-06121-04	Nut, Hex, ORS Braze (1-3/16-12 Threads)	1
53	14-00320-00	Drier, Filter 3/4 ORS x 5/8 ORS - Includes:	1
54	42-00243-03	O-Ring, .614 ID x .070 Thick	1
55	42-00243-11	O-Ring, .739 ID x .070 Thick	1
56	68-62649-00	Bracket, Valve, Painted	1
57	34-00799-04	Screw, Cap Hex Head, 5/16-24 x 1/2 Inch Long, SST	2
58	34-00662-12	Washer, Flat, 5/16 Inch, SST	2
59	58-00065-86	Grommet, 1.12 ID x 1.38 Hole, 0.125 Inch Groove	1
60	56-62065-00	Tube, Liquid, Bent, 5/8 OD x .040 Wall Copper	2
61	81-62024-00	Tube Assembly, Suction - Includes:	1
62	56-62083-00	Tube, Liquid, Bent, 1-1/8 OD x .050W Copper	1
63	40-01124-00	Body, Valve, Schrader, Brass 1/4 SAE Flare - Includes:	2
64	14-00351-00	Core, Access Valve (Nickel Plated)	1
65	DD19CA061	Cap, Seal, Flare, 1/4 Inch	1
66	81-62082-00	Tube Assembly, Liquid - Includes:	1
67	56-03843-06	Tube, Liquid, Bent, 5/8 OD x .040W Copper	1
68	40-00501-06	Valve, King, Brass, 5/8 ODF, R-22	1
69	40-00501-50	Cap, King Valve, Service Part	1
70	56-00143-74	Tube, Straight, 5/8 OD x .040W Copper x 1.84 Inches Long	1
71	40-00503-03	Collar, Tube - 5/8 ORS, Brass	1
72	34-06121-03	Nut, Hex, ORS Braze (1-14 Threads)	1
73	34-00667-11	Nut, Hex, Self-Locking, 1/4-20, SST	2
74	68-62307-00	Bracket, Support, Discharge Tube, Painted	1
75	68-62158-00	Bracket, Support, Solenoid Valve, Painted	1
76	68-62638-00	Bracket, Support, TXV, Painted	1
77	34-00663-11	Washer, Split Lock, 1/4 Inch, SST	14
78	34-00655-06	Screw, Cap Hex Head, 1/4-20 x 3/4 Inch Long, SST	14
79	14-00236-00	Valve, Solenoid, 5/8 ODF x 7/8 ODM - Includes:	1
80	14-00236-50	Coil, Solenoid Valve, 24 VDC	1
81	14-00236-51	Repair Kit, Solenoid Valve	1
82	34-00663-08	Washer, Split Lock, #8, SST	2
83	34-06264-03	Screw, Hex Head, Slotted With Washer, #8-32 x 0.38 Inch Long, SST	2
84	34-00662-08	Washer, Flat, #8, SST	2
85	44-00337-12	Clamp, Tube, Cushioned, 1-1/8, SST	2
86	68-62306-02	Bracket, Support, Suction Tube, Painted	1
87	40-00201-15	Bushing, Tube, Flush, 1-3/8 ODM x 1-1/8 ODS	1



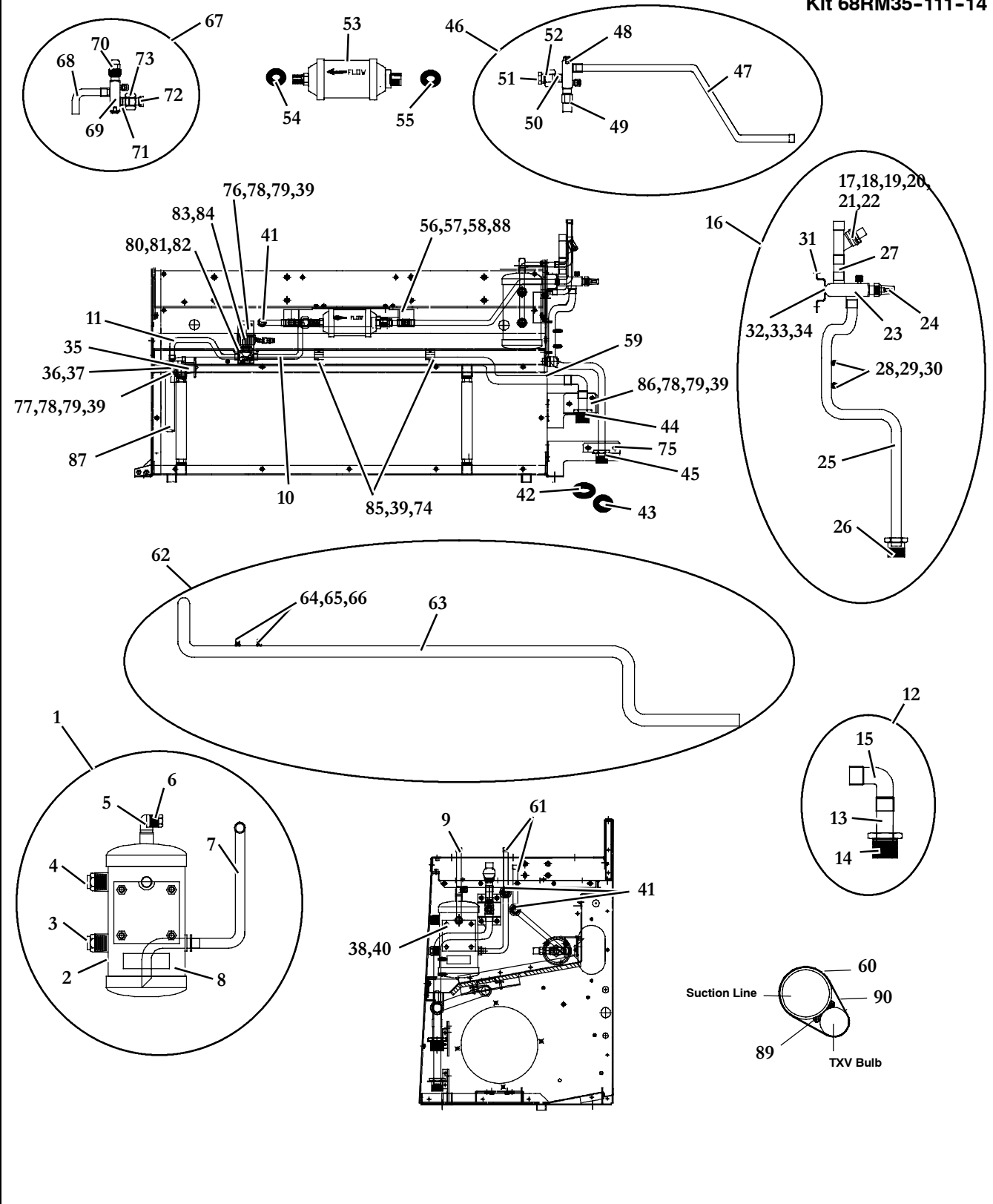
5.2 Refrigerant Piping Kit - Model 68RM30-100-2 (Continued)			
Item	Part Number	Description	Qty
88	34-00663-12	Washer, Split Lock, 5/16 Inch, SST	2
89	34-00666-11	Nut, Hex Head, 1/4-20, SST	2
90	34-00663-13	Washer, Split Lock, 3/8 Inch, SST	4
91	02-00010-01	Grease, Thermomastic, 6cc Syringe	1
92	42-00032-00	Tape, Insulation, Presstite, 2.00 x 30.00 Feet Long	1



6 REFRIGERANT PIPING KIT - R-134a MODELS

6.1 Refrigerant Piping Kit - Model 68RM30-101-2

Kit 68RM35-111-14



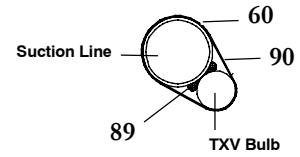
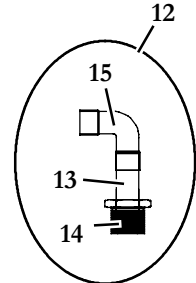
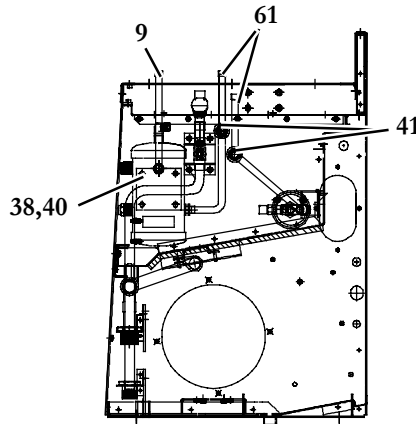
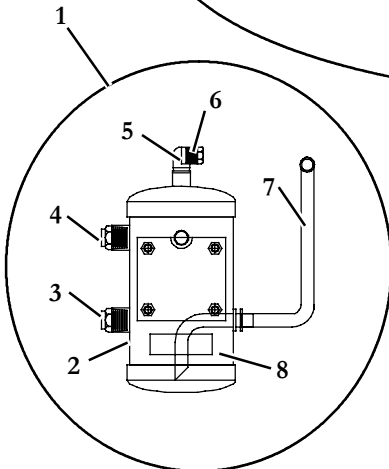
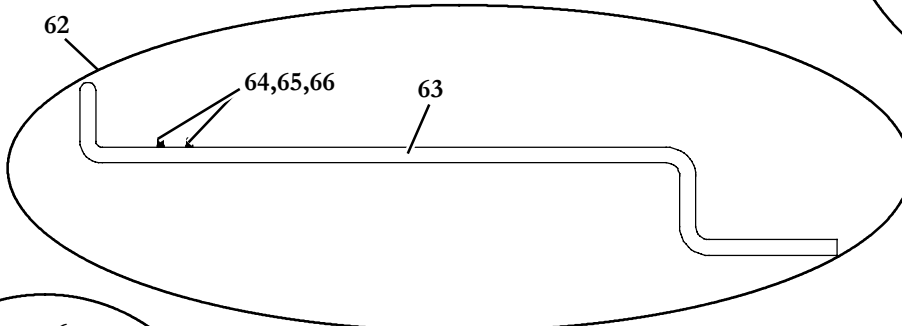
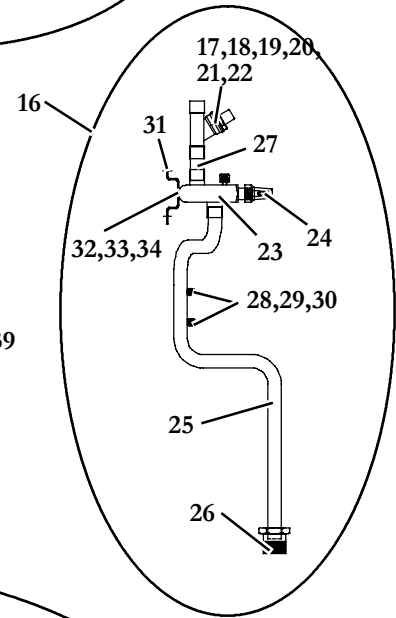
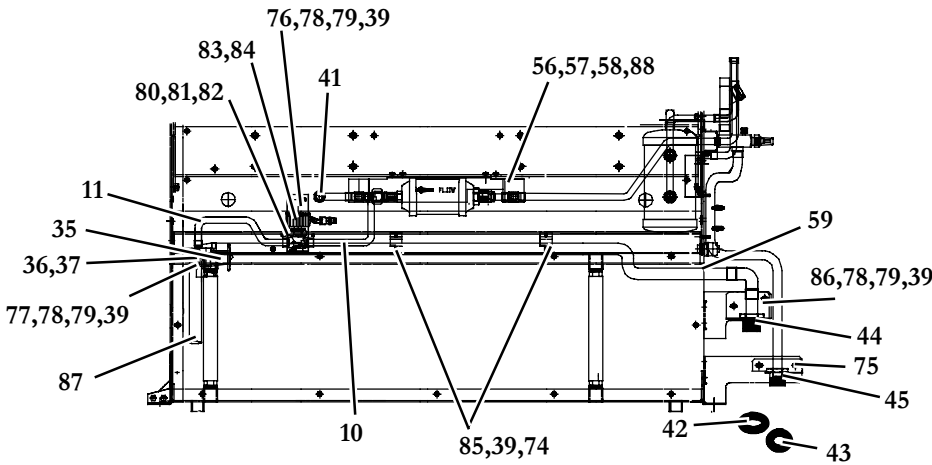
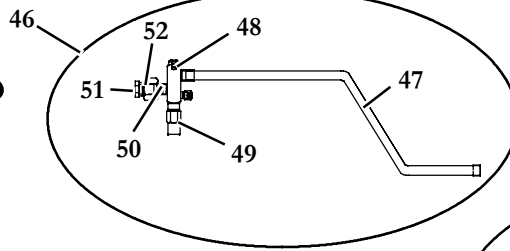
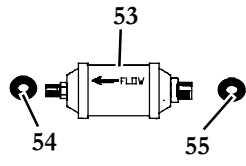
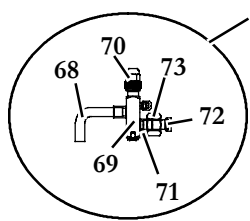


6.1 Refrigerant Piping Kit - Model 68RM30-101-2			
Item	Part Number	Description	Qty
1	81-62012-00	Receiver Tank And Tubing Assembly - Includes:	1
2	AC901-580	Label, Sightglass Wet/Dry	1
3	AC101-203	Sightglass, Indicator, Moisture, 7/8-14	1
4	14-00111-00	Sight Glass, Receiver (Red Ball Float)	1
5	40-00060-03	Elbow, Street, 90 Degree, 3/8 FPT x 3/8 MPT	1
6	14-01032-01	Plug, Fusible, Safety, 3/8 NPTF	1
7	56-62064-00	Tube, Liquid, Bent, 5/8 OD x .040 Wall Copper	1
8	65-01093-00	Receiver Assembly, Plugged, Painted	1
9	56-03639-00	Tube, Liquid, Bent, 5/8 OD x .040 Wall Copper	1
10	56-62089-00	Tube, Liquid, Bent, Solenoid Valve, 5/8 OD x .040 Wall Copper	1
11	56-62088-00	Tube, Liquid, Bent, 5/8 OD x .040 Wall Copper, Solenoid To TXV	1
12	81-62023-00	Tube Assembly, Suction - Includes:	1
13	56-62146-21	Tube, Suction, Straight, 1-1/8 OD x .050 Wall x 3.25 Inches Long, Copper	1
14	40-00491-01	Fitting, ORS, 7/8 ODF x 1-7/16-12	1
15	40-00071-46	Elbow, 90 Degree, Long Radius, Copper, 1-1/8 ODS	1
16	81-62010-00	Tube Assembly, Discharge, R-134a - Includes:	1
17	14-00281-04	Valve, Check, 7/8 ODF - Includes:	1
18	14-50050-01	Spring And Piston/Seat Assembly - Includes:	1
19	73-50006-00	Spring, Check, Valve, SST	1
20	16-03301-00	Gasket, Check Valve	1
21	14-50093-00	Disk, Spacer, Check Valve Cap	1
22	14-50051-00	Cap, Check Valve	1
23	40-00501-07	Valve, King, Brass, 7/8 ODF	1
24	40-00501-50	Cap, King Valve, Service Part	1
25	56-62055-00	Tube, Discharge, Bent, 7/8 OD x .045 Wall Copper	1
26	40-00491-00	Fitting, ORS, 7/8 x 1 7/16-12	1
27	99TS1445CK002100	Tube, Discharge, Straight, 7/8 OD x .045 Wall x 2.12 Inches Long, Copper	1
28	40-01124-00	Body, Valve, Schrader, Brass 1/4 SAE Flare - Includes:	2
29	14-00351-00	Core, Access Valve (Nickel Plated)	1
30	DD19CA061	Cap, Seal, Flare, 1/4 Inch	1
31	68RM55-124P	Bracket Assembly, Valve Mounting, Painted	1
32	34-00855-04	Screw, Cap Hex Head, 3/8 -24 x 1/2 Inch Long, SST	1
33	34-00663-13	Washer, Split Lock, 3/8 Inch, SST	1
34	34-00662-13	Washer, Flat, 3/8 Inch, SST	1
35	56-62207-00	Tube Assembly, Equalizer, 1/4 OD x .028 Wall Copper	1
36	66U1-1214-5	Body, Flange, Thermal Expansion Valve, 5/8 ODF Inlet x 7/8 ODF Outlet	1
37	14-01104-35	Valve, Thermal Expansion, Less Flange, 5.5 Tons, R-134a	1
38	34-00807-08	Screw, Cap Hex Head, 3/8 -16 x 1.00 Inch Long, SST	4
39	34-00662-11	Washer, Flat, 1/4 Inch, SST	16
40	34-00662-13	Washer, Flat, 3/8 Inch, SST	4
41	58-00065-85	Grommet, 0.88 ID x 1.12 Hole, .090 Inch Groove	2
42	42-00243-01	O-Ring, 1.19 ID x 0.139 Thick	1
43	42-00243-00	O-Ring, 0.921 ID x 0.139 Thick	1



6.1 Refrigerant Piping Kit - Model 68RM30-101-2 (Continued)

Kit 68RM35-111-14





6.1 Refrigerant Piping Kit - Model 68RM30-101-2 (Continued)			
Item	Part Number	Description	Qty
44	34-06088-01	Nut, Hex Head, ORS 1.125 x 1.69 -12, Plated Steel	1
45	34-06088-00	Nut, Hex Head, ORS 0.88 x 1.43 -12, Plated Steel	1
46	81-62026-00	Valve And Liquid Tubing Assembly - Includes:	1
47	56-62087-00	Tube, Liquid, Bent, 5/8 OD x .040W Copper	1
48	40-00501-05	Valve, King, Brass, 5/8 ODF, R-134a	1
49	40-00501-50	Cap, King Valve, Service Part	1
50	56-00143-75	Tube, Straight, 5/8 OD x .040W Copper x 1.62 Inches Long	1
51	40-00503-04	Collar, Tube - 5/8 ORS, Nickel Plated Steel	1
52	34-06121-04	Nut, Hex, ORS Braze (1-3/16-12 Threads)	1
53	14-00320-00	Drier, Filter 3/4 ORS x 5/8 ORS - Includes:	1
54	42-00243-03	O-Ring, .614 ID x .070 Thick	1
55	42-00243-11	O-Ring, .739 ID x .070 Thick	1
56	68-62266-00	Bracket, Valve, Painted	1
57	34-00799-04	Screw, Cap Hex Head, 5/16-24 x 1/2 Inch Long, SST	2
58	34-00662-12	Washer, Flat, 5/16 Inch, SST	2
59	58-00065-86	Grommet, 1.12 ID x 1.38 Hole, 0.125 Inch Groove	1
60	44-00045-03	Clamp, Hose, Worm Type (7/8 - 1-3/4)	2
61	56-62065-00	Tube, Liquid, Bent, 5/8 OD x .040 Wall Copper	2
62	81-62024-00	Tube Assembly, Suction - Includes:	1
63	56-62083-00	Tube, Liquid, Bent, 1-1/8 OD x .050W Copper	1
64	40-01124-00	Body, Valve, Schrader, Brass 1/4 SAE Flare - Includes:	2
65	14-00351-00	Core, Access Valve (Nickel Plated)	1
66	DD19CA061	Cap, Seal, Flare, 1/4 Inch	1
67	81-62025-00	Tube Assembly, Liquid - Includes:	1
68	56-03843-03	Tube, Liquid, Bent, 5/8 OD x .040W Copper	1
69	40-00501-05	Valve, King, Brass, 5/8 ODF	1
70	40-00501-50	Cap, King Valve, Service Part	1
71	56-00143-75	Tube, Straight, 5/8 OD x .040W Copper x 1.62 Inches Long	1
72	40-00503-03	Collar, Tube - 5/8 ORS, Brass	1
73	34-06121-03	Nut, Hex, ORS Braze (1-14 Threads)	1
74	34-00667-11	Nut, Hex, Self-Locking, 1/4-20, SST	4
75	68-62307-00	Bracket, Support, Discharge Tube, Painted	1
76	68-62158-00	Bracket, Support, Solenoid Valve, Painted	1
77	68-62114-02	Bracket, Support, TXV, Painted	1
78	34-00663-11	Washer, Split Lock, 1/4 Inch, SST	4
79	34-00655-06	Screw, Cap Hex Head, 1/4-20 x 3/4 Inch Long, SST	4
80	14-00236-00	Valve, Solenoid, 5/8 ODF x 7/8 ODM - Includes:	1
81	14-00236-50	Coil, Solenoid Valve, 24 VDC	1
82	14-00236-51	Repair Kit, Solenoid Valve	1
83	34-00663-08	Washer, Split Lock, #8, SST	2
84	34-06264-04	Screw, Hex Head, Slotted With Washer, #8-32 x 0.50 Inch Long, SST	2
85	44-00337-12	Clamp, Tube, Cushioned, 1-1/8, SST	1
86	68-62306-02	Bracket, Support, Suction Tube, Painted	1
87	40-00201-15	Bushing, Tube, Flush, 1-3/8 ODM x 1-1/8 ODS	1

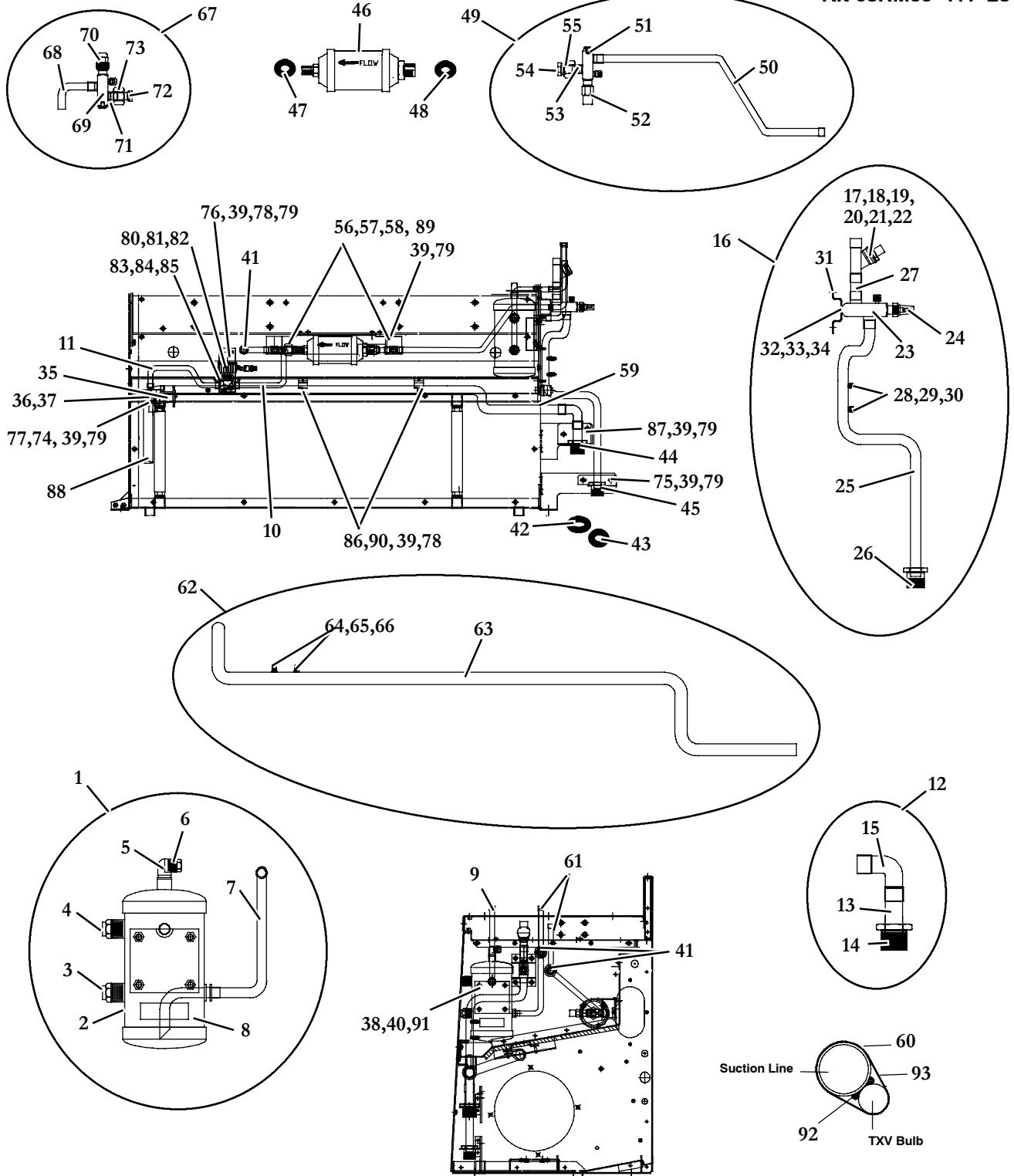


6.1 Refrigerant Piping Kit - Model 68RM30-101-2 (Continued)			
Item	Part Number	Description	Qty
88	34-00663-12	Washer, Split Lock, 5/16 Inch, SST	2
89	02-00010-01	Grease, Thermomastic, 6cc Syringe	1
90	42-00032-00	Tape, Insulation, Presstite, 2.00 x 30.00 Feet Long	1



6.2 Refrigerant Piping Kit - Models 68RM30-101-3, -4, -6, -7, -8, -9, -10, -11, -15, -16, -17, -18, -19, -20, -21, -22

Kit 68RM35-111-28



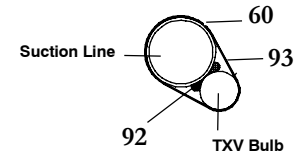
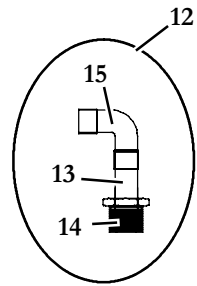
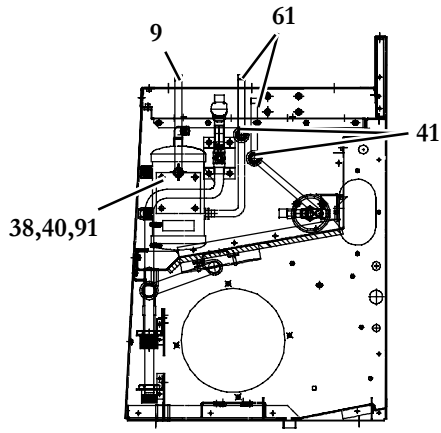
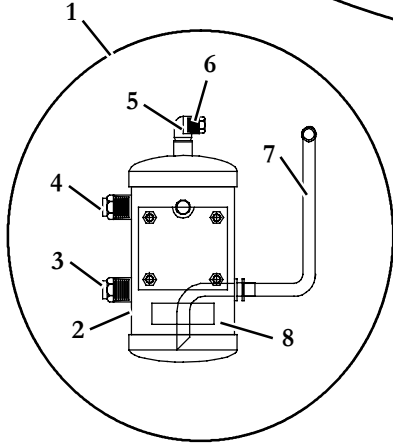
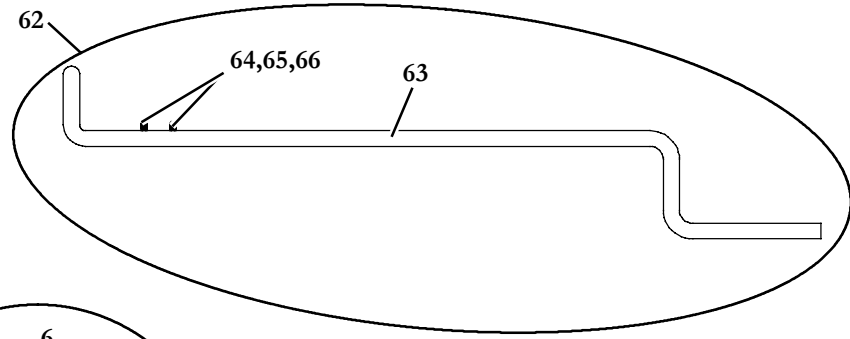
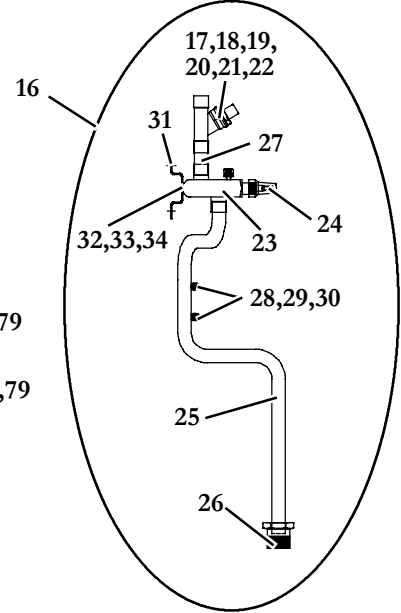
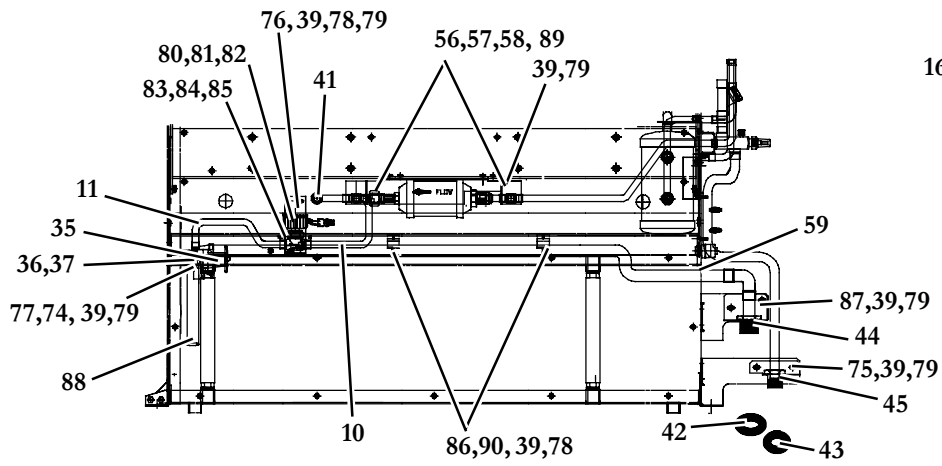
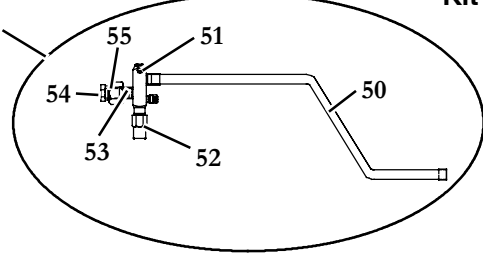
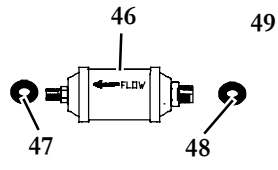
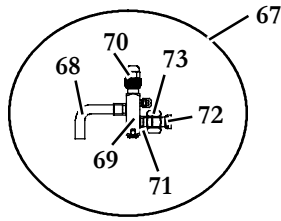


6.2 Refrigerant Piping Kit - Models 68RM30-101-3, -4, -6, -7, -8, -9, -10, -11, -15, -16, -17, -18, -19-20, -21, -22			
Item	Part Number	Description	Qty
1	81-62012-00	Receiver Tank And Tubing Assembly - Includes:	1
2	AC901-580	Label, Sightglass Wet/Dry	1
3	AC101-203	Sightglass, Indicator, Moisture, 7/8-14	1
4	14-00111-00	Sight Glass, Receiver (Red Ball Float)	1
5	40-00060-03	Elbow, Street, 90 Degree, 3/8 FPT x 3/8 MPT	1
6	14-01032-01	Plug, Fusible, Safety, 3/8 NPTF	1
7	56-62064-00	Tube, Liquid, Bent, 5/8 OD x .040 Wall Copper	1
8	65-01093-00	Receiver Assembly, Plugged, Painted	1
9	56-03639-00	Tube, Liquid, Bent, 5/8 OD x .040 Wall Copper	1
10	56-62089-00	Tube, Liquid, Bent, Solenoid Valve, 5/8 OD x .040 Wall Copper	1
11	56-62141-00	Tube, Liquid, Bent, 5/8 OD x .040 Wall Copper, Solenoid To TXV	1
12	81-62023-00	Tube Assembly, Suction - Includes:	1
13	56-62146-21	Tube, Suction, Straight, 1-1/8 OD x .050 Wall x 3.25 Inches Long, Copper	1
14	40-00491-01	Fitting, ORS, 7/8 ODF x 1-7/16-12	1
15	40-00071-46	Elbow, 90 Degree, Long Radius, Copper, 1-1/8 ODS	1
16	81-62010-00	Tube Assembly, Discharge, R-134a - Includes:	1
17	14-00281-04	Valve, Check, 7/8 ODF - Includes:	1
18	14-50050-01	Spring And Piston/Seat Assembly - Includes:	1
19	73-50006-00	Spring, Check, Valve, SST	1
20	16-03301-00	Gasket, Check Valve	1
21	14-50093-00	Disk, Spacer, Check Valve Cap	1
22	14-50051-00	Cap, Check Valve	1
23	40-00501-07	Valve, King, Brass, 7/8 ODF	1
24	40-00501-50	Cap, King Valve, Service Part	1
25	56-62055-00	Tube, Discharge, Bent, 7/8 OD x .045 Wall Copper	1
26	40-00491-00	Fitting, ORS, 7/8 x 1 7/16-12	1
27	99TS1445CK002100	Tube, Discharge, Straight, 7/8 OD x .045 Wall x 2.12 Inches Long, Copper	1
28	40-01124-00	Body, Valve, Schrader, Brass 1/4 SAE Flare - Includes:	2
29	14-00351-00	Core, Access Valve (Nickel Plated)	1
30	DD19CA061	Cap, Seal, Flare, 1/4 Inch	1
31	68RM55-124P	Bracket Assembly, Valve Mounting, Painted	1
32	34-00855-04	Screw, Cap Hex Head, 3/8 -24 x 1/2 Inch Long, SST	1
33	34-00663-13	Washer, Split Lock, 3/8 Inch, SST	1
34	34-00662-13	Washer, Flat, 3/8 Inch, SST	1
35	56-62207-00	Tube Assembly, Equalizer, 1/4 OD x .028 Wall Copper	1
36	66U1-1214-5	Body, Flange, Thermal Expansion Valve, 5/8 ODF Inlet x 7/8 ODF Outlet	1
37	14-01104-35	Valve, Thermal Expansion, Less Flange, 5.5 Tons, R-134a	1
38	34-00807-08	Screw, Cap Hex Head, 3/8 -16 x 1.00 Inch Long, SST	4
39	34-00662-12	Washer, Flat, 1/4 Inch, Type A, SST	16
40	34-00662-14	Washer, Flat, 3/8 Inch, Type A, SST	4
41	58-00065-85	Grommet, 0.88 ID x 1.12 Hole, .090 Inch Groove	2
42	42-00243-01	O-Ring, 1.19 ID x 0.139 Thick	1
43	42-00243-00	O-Ring, 0.921 ID x 0.139 Thick	1



6.2 Refrigerant Piping Kit - Models 68RM30-101-3, -4, -6, -7, -8, -9, -10, -11, -15, -16, -17, -18, -19-20, -21, -22 (Continued)

Kit 68RM35-111-28





6.2 Refrigerant Piping Kit - Models 68RM30-101-3, -4, -6, -7, -8, -9, -10, -11, -15, -16, -17, -18, -19-20, -21, -22 (Continued)

Item	Part Number	Description	Qty
44	34-06088-01	Nut, Hex Head, ORS 1.125 x 1.69 -12, Plated Steel	1
45	34-06088-00	Nut, Hex Head, ORS 0.88 x 1.43 -12, Plated Steel	1
46	14-00320-00	Drier, Filter 3/4 ORS x 5/8 ORS - Includes:	1
47	42-00243-03	O-Ring, .614 ID x .070 Thick	1
48	42-00243-11	O-Ring, .739 ID x .070 Thick	1
49	81-62095-00	Valve And Liquid Tubing Assembly - Includes:	1
50	56-62173-00	Tube, Liquid, Bent, 5/8 OD x .040W Copper	1
51	40-00501-05	Valve, King, Brass, 5/8 ODF, R-134a	1
52	40-00501-50	Cap, King Valve, Service Part	1
53	56-00143-75	Tube, Straight, 5/8 OD x .040W Copper x 1.62 Inches Long	1
54	40-00503-04	Collar, Tube - 5/8 ORS, Nickel Plated Steel	1
55	34-06121-04	Nut, Hex, ORS Braze (1-3/16-12 Threads)	1
56	68-62649-00	Bracket, Valve, Painted	1
57	34-00799-04	Screw, Cap Hex Head, 5/16-24 x 1/2 Inch Long, SST	2
58	34-06212-13	Washer, Flat, 5/16 Inch, Type A, SST	2
59	58-00065-86	Grommet, 1.12 ID x 1.38 Hole, 0.125 Inch Groove	1
60	44-00045-03	Clamp, Hose, Worm Type (7/8 - 1-3/4)	1
61	56-62065-00	Tube, Liquid, Bent, 5/8 OD x .040 Wall Copper	2
62	81-62024-01	Tube Assembly, Suction - Includes:	1
63	56-62083-01	Tube, Liquid, Bent, 1-1/8 OD x .050W Copper	1
64	40-01124-00	Body, Valve, Schrader, Brass 1/4 SAE Flare - Includes:	2
65	14-00351-00	Core, Access Valve (Nickel Plated)	1
66	DD19CA061	Cap, Seal, Flare, 1/4 Inch	1
67	81-62081-00	Tube Assembly, Liquid - Includes:	1
68	56-03843-06	Tube, Liquid, Bent, 5/8 OD x .040W Copper	1
69	40-00501-05	Valve, King, Brass, 5/8 ODF	1
70	40-00501-50	Cap, King Valve, Service Part	1
71	56-00143-74	Tube, Straight, 5/8 OD x .040W Copper x 1.84 Inches Long	1
72	40-00503-03	Collar, Tube - 5/8 ORS, Brass	1
73	34-06121-03	Nut, Hex, ORS Braze (1-14 Threads)	1
74	34-00667-61	Nut, Hex, Self-Locking, 1/4-20, SST	4
75	68-62307-00	Bracket, Support, Discharge Tube, Painted	1
76	68-62158-00	Bracket, Support, Solenoid Valve, Painted	1
77	68-62638-00	Bracket, Support, TXV, Painted	1
78	34-00663-11	Washer, Split Lock, 1/4 Inch, SST	4
79	34-00655-06	Screw, Cap Hex Head, 1/4-20 x 3/4 Inch Long, SST	4
80	14-00236-00	Valve, Solenoid, 5/8 ODF x 7/8 ODM - Includes:	1
81	14-00236-50	Coil, Solenoid Valve, 24 VDC	1
82	14-00236-51	Repair Kit, Solenoid Valve	1
83	34-00663-08	Washer, Split Lock, #8, SST	2
84	34-06264-04	Screw, Hex Head, Slotted With Washer, #8-32 x 0.50 Inch Long, SST	2
85	34-06212-08	Washer, Flat, #8, Type A, SST	2
86	AC701-224	Clamp, Tube, Cushioned, 1-1/8, SST	1

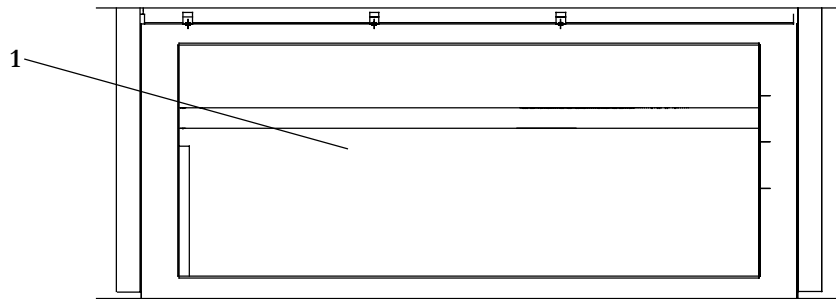


6.2 Refrigerant Piping Kit - Models 68RM30-101-3, -4, -6, -7, -8, -9, -10, -11, -15, -16, -17, -18, -19-20, -21, -22 (Continued)

Item	Part Number	Description	Qty
87	68-62306-02	Bracket, Support, Suction Tube, Painted	1
88	40-00090-18	Fitting, Reducer, 1-3/8 ODF x 1-1/8 ODM, Copper	1
89	34-00663-12	Washer, Split Lock, 5/16 Inch, SST	2
90	34-00666-11	Nut, Hex, 1/4-20	2
91	34-00663-13	Washer, Split Lock, 3/8 Inch, SST	4
92	02-00010-01	Grease, Thermomastic, 6cc Syringe	1
93	42-00032-00	Tape, Insulation, Pressite, 2.00 x 30.00 Feet Long	1



7 AIR FILTERS (All Models)



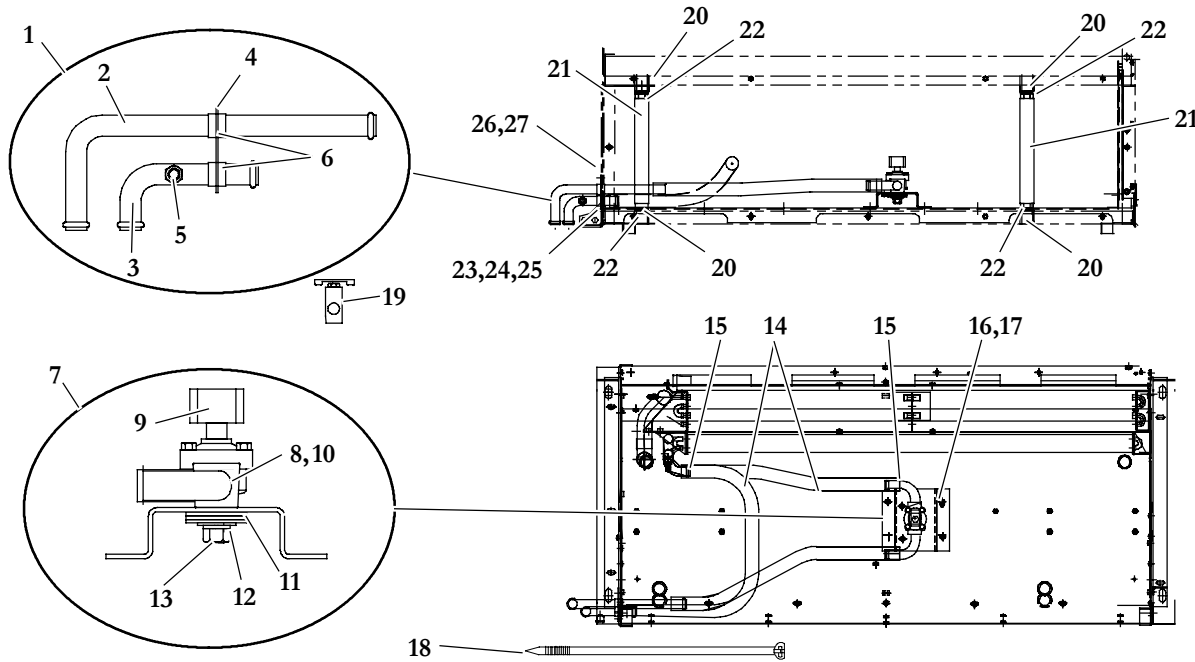
Item	Part Number	Description	Qty
1	38-00547-00	Filter, Air, 1.00 Thick x 16.50 x 46.00 Inches (Washable)	1



8 HEATER CONNECTION ASSEMBLY

8.1 Heater Connection Assembly - Models 68RM30-100-1, 101-2

Kit 68RM35-161-7



Item	Part Number	Description	Qty
1	81-62016-00	Heater Plate Assembly, Heater Coil Connections - Includes:	1
2	56-62066-00	Tube, Bent, Heater, 7/8 OD x .045W Copper, Bead End	1
3	56-62079-00	Tube, Bent, Heater, 7/8 OD x .045W Copper, Bead End	1
4	68-62260-00	Plate, Heater Connections	1
5	DE06DA051	Adapter, Tube Fitting, 1/4 FPT x 1/4 ODF	1
6	66CH1-1212-8	Coupling, Braze, 7/8 ID x 3/4 Inch Long	2
7	68RM45-193	Coolant Valve Assembly - Includes:	1
8	14-00194-00	Valve, Coolant, Solenoid, 7/8 OD Water Bead - Includes:	1
9	14-01110-02	Coil, Solenoid Valve, 24 VDC	1
10	14-50036-00	Repair Kit, Solenoid Valve	1
11	34-00662-18	Washer, Plain, 3/4, SST	3
12	34-06212-15	Washer, Plain, 7/16, SST	1
13	34-00665-14	Nut, Hex, 7/16-20, SST	1
14	AC301-244	Hose, Heater Inlet And Outlet, 7/8 ID (Sold in 50 Feet Roll)	1
15	44-00318-00	Clamp, Hose, Constant Torque, Range: 0.81 To 1.50 Inches, SST	6
16	34-00655-08	Bolt, Hex Head, 1/4-20 x 1.00 Inch Long, SST	4
17	34-00662-11	Washer, Plain, 1/4 Inch, SST	4
18	66U1-3882	Wire Tie, Self-Locking, 7.00 Inches	5
19	66U1-3041	Valve, Petcock, 1/4-18 MPT	1
20	40-00541-02	Fitting, Hose Barb, 1 Inch ID X 3/4 Inch MPT	4
21	AC301-236-4	Hose, Drain, 1 Inch I.D. x 48.00 Inches Long	1
22	58-00712-17	Clamp, Hose, Snap (ID Range: 1.218 - 1.405 Inch)	4
23	34-50061-00	Screw, Pan Head, Phillips, #06-32 x 3/4 Inch Long, SST	4
24	34-00662-07	Washer, Plain, #06, SST	8

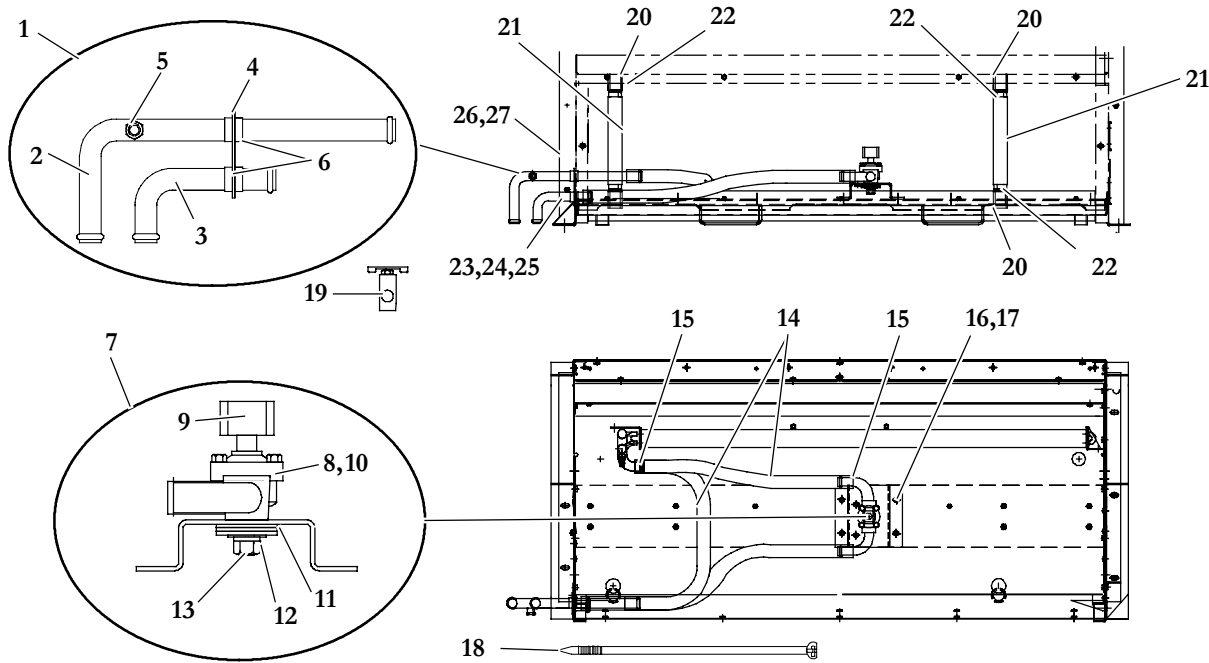


8.2 Heater Connection Assembly - Models 68RM30-100-1, 101-2			
Item	Part Number	Description	Qty
25	34-00667-07	Nut, Hex, Self-Locking, #06-32, SST	4
26	62-62041-00	Label, IN	1
27	62-62041-01	Label, OUT	1



8.3 Heater Connection Assembly - Models 68RM30-100-2, 101-3, -4, -6, -7, -8, -9, -10, -11, -15, -16, -17, -18, -19, -20, -21, -22

Kit 68RM35-161-11



Item	Part Number	Description	Qty
1	81-62114-00	Heater Plate Assembly, Heater Coil Connections - Includes:	1
2	56-62198-01	Tube, Bent, Heater, 7/8 OD x .045W Copper, Bead End	1
3	56-62199-01	Tube, Bent, Heater, 7/8 OD x .045W Copper, Bead End	1
4	68-62260-00	Plate, Heater Connections	1
5	DE06DA051	Adapter, Tube Fitting, 1/4 FPT x 1/4 ODF	1
6	66CH1-1212-8	Coupling, Braze, 7/8 ID x 3/4 Inch Long	2
7	68RM45-193	Coolant Valve Assembly - Includes:	1
8	14-00194-00	Valve, Coolant, Solenoid, 7/8 OD Water Bead - Includes:	1
9	14-01110-02	Coil, Solenoid Valve, 24 VDC	1
10	14-50036-00	Repair Kit, Solenoid Valve	1
11	34-00662-18	Washer, Plain, 3/4, SST	3
12	34-06212-15	Washer, Plain, 7/16, SST	1
13	34-00665-14	Nut, Hex, 7/16-20, SST	1
14	AC301-244	Hose, Heater Inlet And Outlet, 7/8 ID (Sold In 50 Feet Roll)	1
15	44-00318-00	Clamp, Hose, Constant Torque, Range: 0.81 - 1.50 Inches SST	6
16	34-00655-08	Bolt, Hex Head, 1/4-20 x 1.00 Inch Long, SST	4
17	34-00662-11	Washer, Plain, 1/4 Inch, SST	4
18	66U1-3882	Wire Tie, Self-Locking, 7.00 Inches	5
19	66U1-3041	Valve, Petcock, 1/4-18 MPT	1
20	40-00541-02	Fitting, Hose Barb, 1 Inch ID X 3/4 Inch MPT	4
21	AC301-236-4	Hose, Drain, 1 Inch ID x 48.00 Inches Long	1
22	58-00712-17	Clamp, Hose, Snap (ID Range: 1.218 - 1.405 Inch)	4
23	34-50061-00	Screw, Pan Head, Phillips, #06-32 x 3/4 Inch Long, SST	4
24	34-00662-07	Washer, Plain, #06, SST	8



8.4 Heater Connection Assembly - Models 68RM30-100-2, 101-3, -4, -6, -7, -8, -9, -10, -11, -15, -16, -17, -18, -19, -20, -21, -22

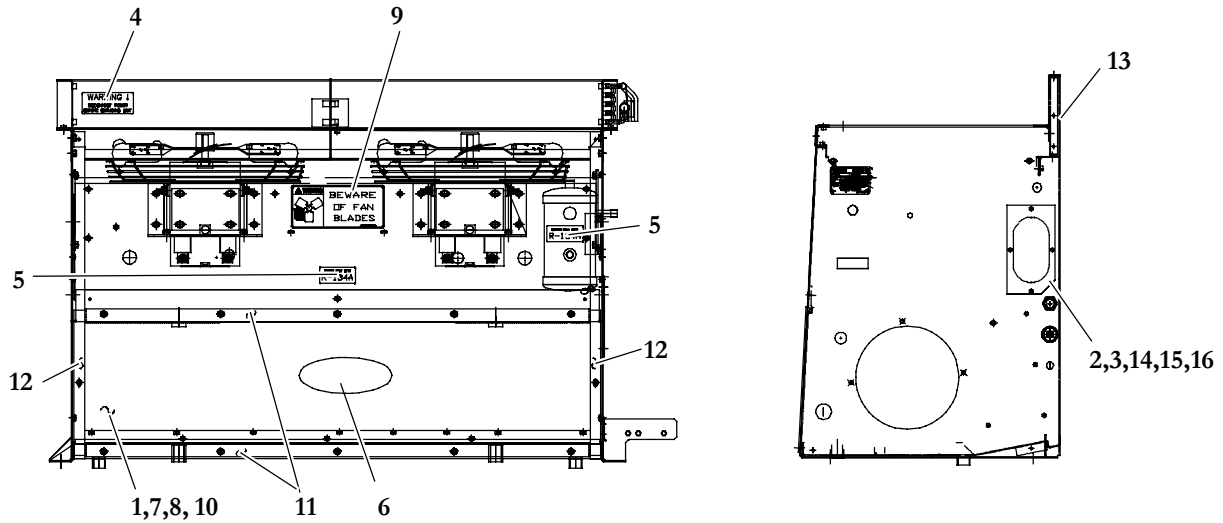
Item	Part Number	Description	Qty
25	34-00667-07	Nut, Hex, Self-Locking, #06-32, SST	4
26	62-62041-00	Label, IN	1
27	62-62041-01	Label, OUT	1



9 LABELS - GASKETS

9.1 Labels - Gaskets - Models 68RM30-100-1, -2, 101-2

**Kit 68RM35-171-12
68RM35-171-13**

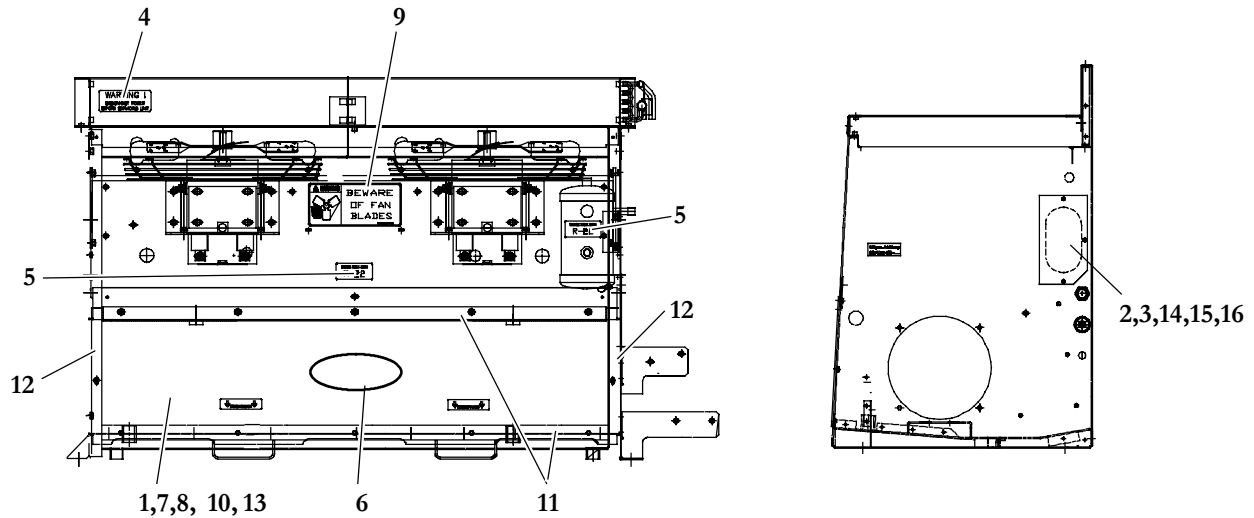


Item	Part Number	Description	Qty
1	68RM35-1004	Panel, Access, Painted	1
2	68-62228-00	Cover, Fresh Air, Painted	1
3	42-62008-00	Gasket, Fresh Air Cover, Neoprene	1
4	62-62001-00	Label, Warning, Disconnect Power	1
5	62-62039-01	Label, Charge Only With R-22 , Models 68RM30-100-1, -2	2
	62-62039-00	Label, Charge Only With R-134a , Model 68RM30-101-2	
6	62-62037-00	Label, MCC , 9 Inch Oval	1
7	34-00655-06	Bolt, Hex Head, 1/4 -20 x 3/4 Inch Long, SST	12
8	34-00662-11	Washer, Flat, 1/4 Inch, SST	12
9	62-62045-00	Label, Warning, Fan Blades & Disconnect Power	1
10	68RM35-1163-4	Insulation, Foam, 1.00 Thick x 11.50 x 41.80 Inches	1
11	68RM35-1303	Insulation, Neoprene, 0.25 Thick x 1.25 x 51.50 Inches	2
12	68RM35-1303-1	Insulation, Neoprene, 0.25 Thick x 1.13 x 11.81 Inches	2
13	68RM35-1163-5	Insulation, Foam, 0.25 Thick x 7.00 x 11.50 Inches	1
14	34-00662-09	Washer, Flat, #10, SST	4
15	34-00795-09	Nut, Hex, Self-Locking, #10-32, SST	4
16	02-00314-00	Tape, Double Sided, Adhesive, 2.00 Inches X 180.00 Feet Long	1



9.2 Labels - Gaskets - Models 68RM30-101-3, -4, -6, -7, -8, -9, -10, -11, -15, -16, -17, -18, -19, -20, -21, -22

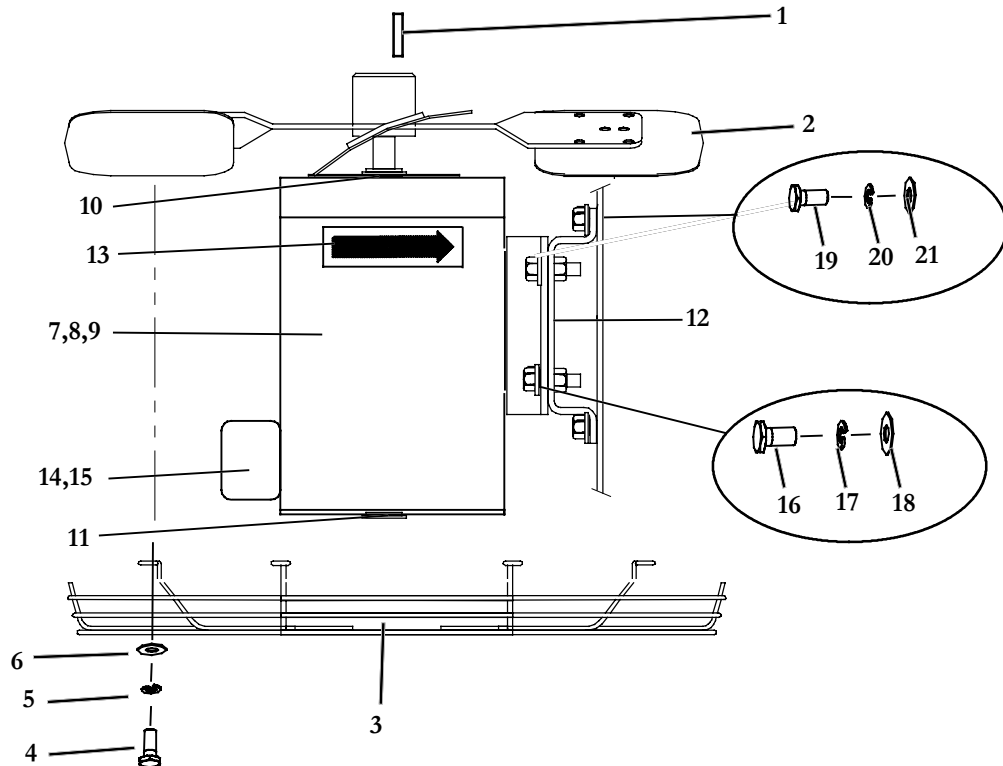
Kit 68RM35-171-15



Item	Part Number	Description	Qty
1	68-62233-00	Panel, Access, Painted	1
2	68-62228-00	Cover, Fresh Air, Painted	1
3	42-62008-00	Gasket, Fresh Air Cover, Neoprene	1
4	62-62001-00	Label, Warning, Disconnect Power	1
5	62-62039-00	Label, Charge Only With R-134a	2
6	62-62037-00	Label, MCC , 9 Inch Oval	1
7	34-00655-06	Bolt, Hex Head, 1/4 -20 x 3/4 Inch Long, SST	12
8	34-00662-11	Washer, Flat, 1/4 Inch, SST	12
9	62-62045-00	Label, Warning, Fan Blades & Disconnect Power	1
10	68RM35-1163-9	Insulation, Foam, 1.00 Thick x 9.94 x 48.80 Inches	1
11	68RM35-1303	Insulation, Neoprene, 0.25 Thick x 1.25 x 51.50 Inches	2
12	42-62009-00	Insulation, Neoprene, 0.25 Thick x 1.13 x 10.81 Inches	2
13	34-00663-11	Washer, Split Lock, 1/4 Inch, SST	12
14	34-00662-09	Washer, Flat, #10, SST	4
15	34-00795-09	Nut, Hex, Self-Locking, #10-32, SST	4
16	02-00314-00	Tape, Double Sided, Adhesive, 2.00 Inches X 180.00 Feet Long	1



10 CONDENSER FAN MOTOR ASSEMBLIES



10.1 Condenser Fan Motor Assemblies Common Parts - All Models

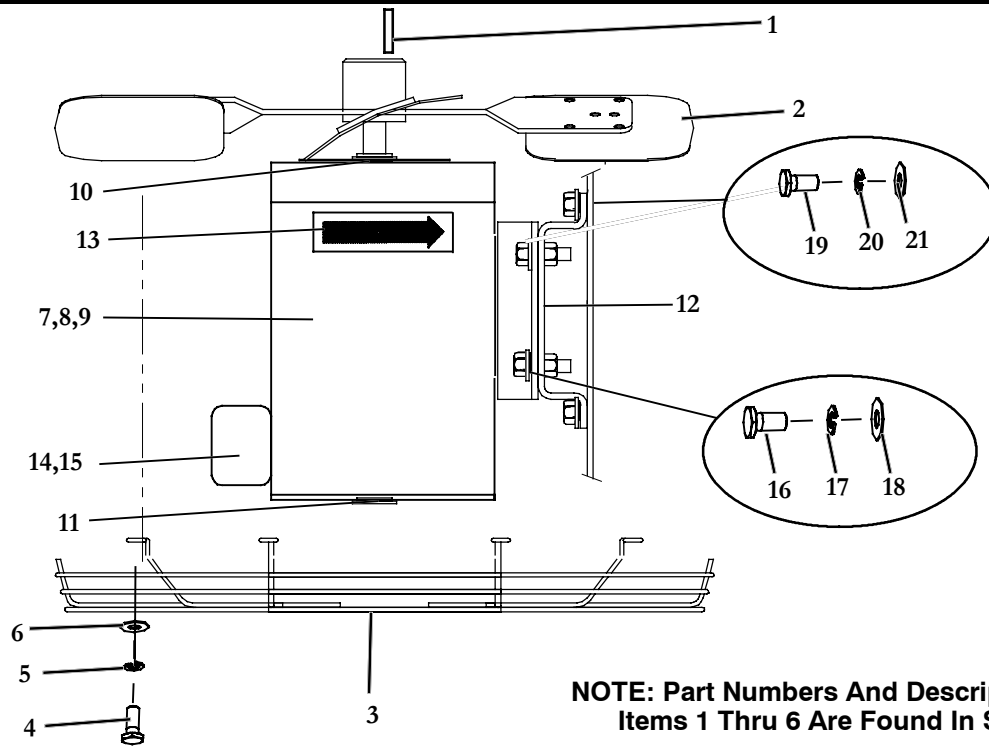
Item	Part Number	Description	Qty
1	34-00672-00	Key, Square, 3/16 x 1-1/4 Inch	2
2	38-00516-00	Fan Blade, Condenser, CounterClockwise, 18 Inch Diameter	2
3	68RM35-1133	Grille, Fan Guard, Condenser	2
4	34-00655-06	Bolt, Hex Head, 1/4 -20 x 3/4 Inch Long, SST	8
5	34-00663-11	Washer, Split Lock, 1/4 Inch, SST	8
6	34-00662-11	Washer, Flat 1/4 Inch, SST	8

10.2 Condenser Fan Motor Assemblies - Models 68RM30-100-2, 101-2, -6, -9, -18, -20

7	AC501-120	Motor, Condenser, GE .80 HP PM - Includes:	2
8	54-50067-00	Brush, Motor	4
9	54-50067-31	Holder, Brush	1
10	54-00122-23	Bearing, Shaft End	1
11	54-00122-23	Bearing, Opposite Shaft End	1
12	68RM35-187P	Bracket Assembly, Motor Mounting, Condenser, Painted	2
13	62-62038-00	Label, Arrow	2
14	22-01292-02	Terminal, Butt Connector, 14-16 Gauge	4
15	66U1-3803-15	Tubing, Heat Shrink, 3/16 Inch	4
16	34-00792-08	Bolt, Hex Head, 5/16-18 x 1 Inch Long, SST	8
17	34-00663-12	Washer, Split Lock, 5/16 Inch, SST	8
18	34-00662-12	Washer, Plain, 5/16 Inch, SST	8
19	34-00807-08	Bolt, Hex Head, 3/8-16 x 1 Inch Long, SST	8
20	34-00663-13	Washer, Split Lock, 3/8 Inch, SST	8
21	34-06212-14	Washer, Plain, 3/8 Inch, SST	8



10 CONDENSER FAN MOTOR ASSEMBLIES (Continued)



10.3 Condenser Fan Motor Assemblies - Models 68RM30-100-1, 101-4, -8

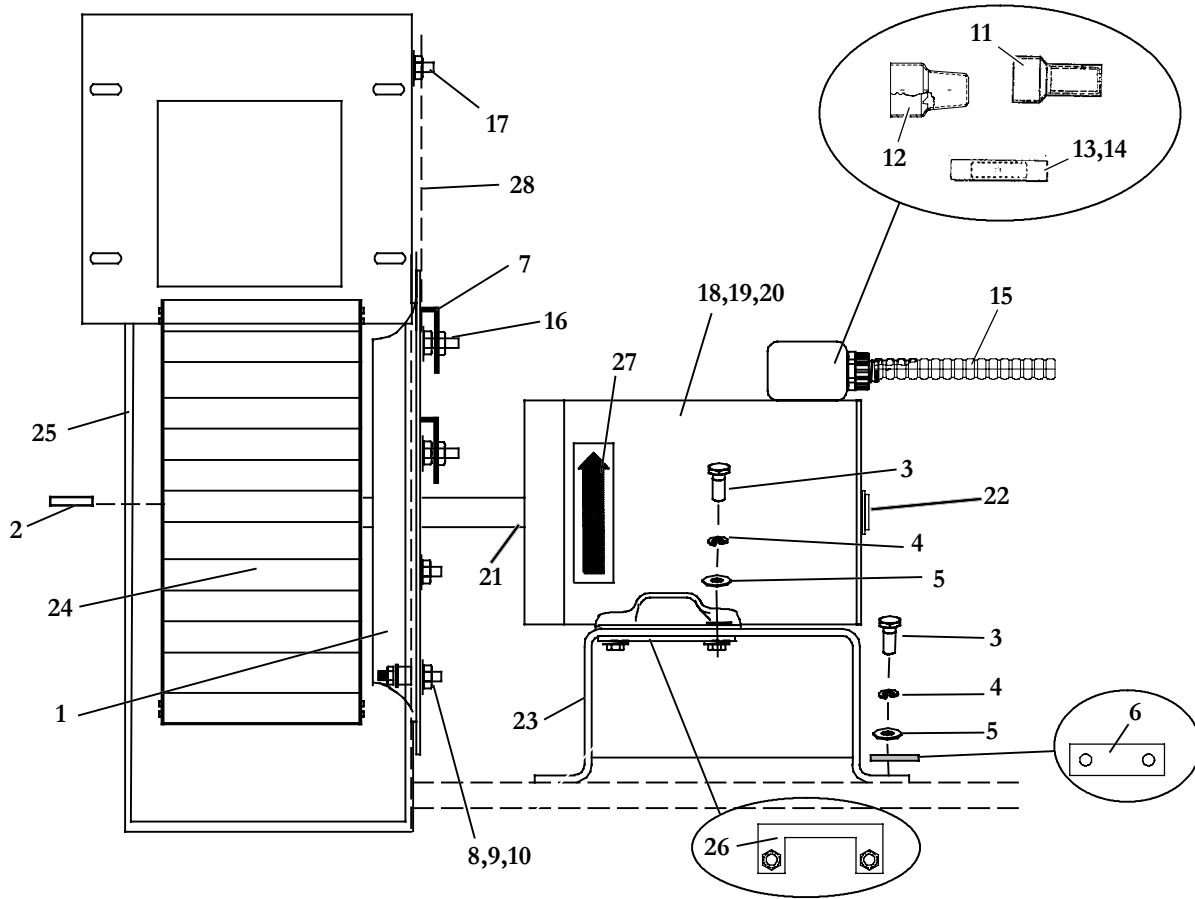
Item	Part Number	Description	Qty
7	AC501-146	Motor, Fan, Condenser, .8HP, 24VDC, Wound Field - Includes:	2
8	54-00508-30	Brush, Motor	4
9	54-50067-31	Holder, Brush	1
10	54-00517-20	Bearing, Shaft End	1
11	54-00122-23	Bearing, Opposite Shaft End	1
12	68RM35-187P	Bracket Assembly, Motor Mounting, Condenser, Painted	2
13	62-62038-00	Label, Arrow	2
14	AC201-244	Terminal, Butt Connector, 14-16 Gauge	4
15	66U1-3803-15	Tubing, Heat Shrink, 3/16 Inch	4
16	34-00792-08	Bolt, Hex Head, 5/16-18 x 1 Inch Long, SST	8
17	34-00663-12	Washer, Split Lock, 5/16 Inch, SST	8
18	34-00662-12	Washer, Plain, 5/16 Inch, SST	8
19	34-00807-08	Bolt, Hex Head, 3/8-16 x 1 Inch Long, SST	8
20	34-00663-13	Washer, Split Lock, 3/8 Inch, SST	8
21	34-06212-14	Washer, Plain, 3/8 Inch, SST	8



10.4 Condenser Fan Motor Assemblies - Models 68RM30-101-3, -7, -10, -11, -15, -16, -17, -19, -21, -22			
7	54-00533-00	Motor, Fan, Condenser, .8HP, 24VDC, Brushless	2
12	68RM35-433P	Bracket Assembly, Motor Mounting, Condenser, Painted	2
14	22-02126-02	Cap, Insulator, Electrical	4
15	22-02126-03	Cap, Insulated, Electrical, #14 to #16 AWG	4
16	34-00807-08	Bolt, Hex Head, 3/8-16 x 1 Inch Long, SST	8
17	34-00663-13	Washer, Split Lock, 3/8 Inch, SST	8
18	34-06212-14	Washer, Plain, 3/8 Inch, SST	8
19	34-00807-08	Bolt, Hex Head, 3/8-16 x 1 Inch Long, SST	8
20	34-00663-13	Washer, Split Lock, 3/8 Inch, SST	8
21	34-06212-14	Washer, Plain, 3/8 Inch, SST	8



11 EVAPORATOR BLOWER ASSEMBLIES

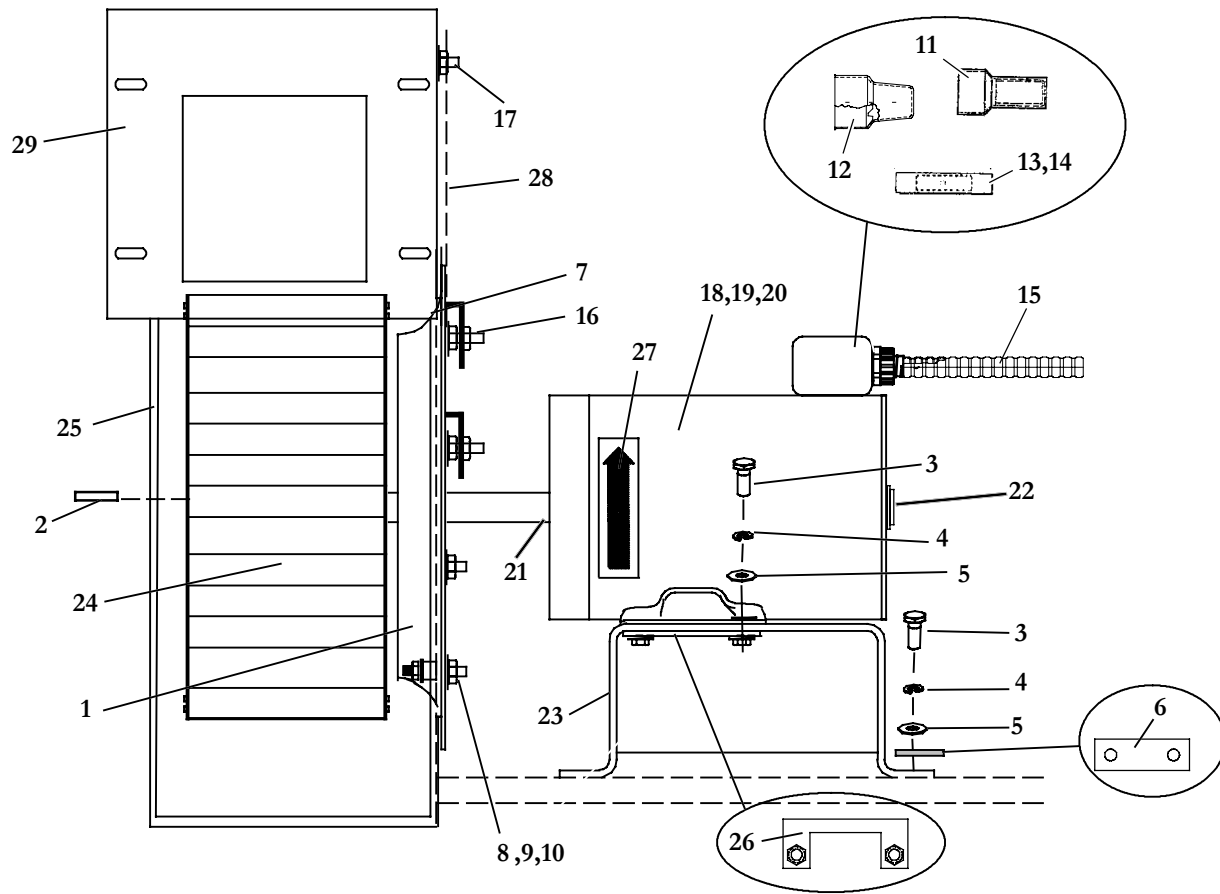


11.1 Evaporator Blower Assembly Common Parts - All Models

Item	Part Number	Description	Qty
1	68RM55-1076	Ring, Venturi, Plastic	2
2	34-00672-00	Key, Square, 3/16 x 1-1/4 Inch	2
3	34-00792-08	Bolt, Hex Head, 5/16-18 x 1 Inch Long, SST	16
4	34-00663-12	Washer, Split Lock, 5/16 Inch, SST	16
5	34-00662-12	Washer, Flat, 5/16 Inch, SST	16
6	68RM35-1106P	Plate, Motor Mount Washer, Painted (2 Required Per Motor)	4
7	68RM55-1142P	Clip, Venturi Ring, Painted	8
8	34-00662-11	Washer, Flat 1/4 Inch, SST	10
9	34-00663-11	Washer, Split Lock, 1/4 Inch, SST	8
10	34-00666-11	Nut, Hex, 1/4-20, SST	8
11	22-02126-02	Cap, Insulator, Electrical, #12 to #14 AWG	8
12	22-02126-03	Cap, Insulator, Electrical, #14 to #16 AWG	8
13	22-01292-02	Terminal, Butt Connector, 14-16 Gauge	4
14	66U1-3803-15	Tube, Heat Shrink, 3/16, With Adhesive	4
15	AC202-213	Tubing, Split, Corrugated, 7/8 Inch ID x 25 Feet Long	1
16	34-00667-11	Nut, Hex, Lock ESNA 1/4-20 SST	8
17	34-00655-08	Bolt, Hex Head, 1/4-20 x 1 Inch Long, SST	2



11 EVAPORATOR BLOWER ASSEMBLIES (Continued)



NOTE: Part Numbers And Descriptions For Items 1 Thru 17 Are Found In Section

11.2 Evaporator Blower Assembly Models 68RM30-100-1

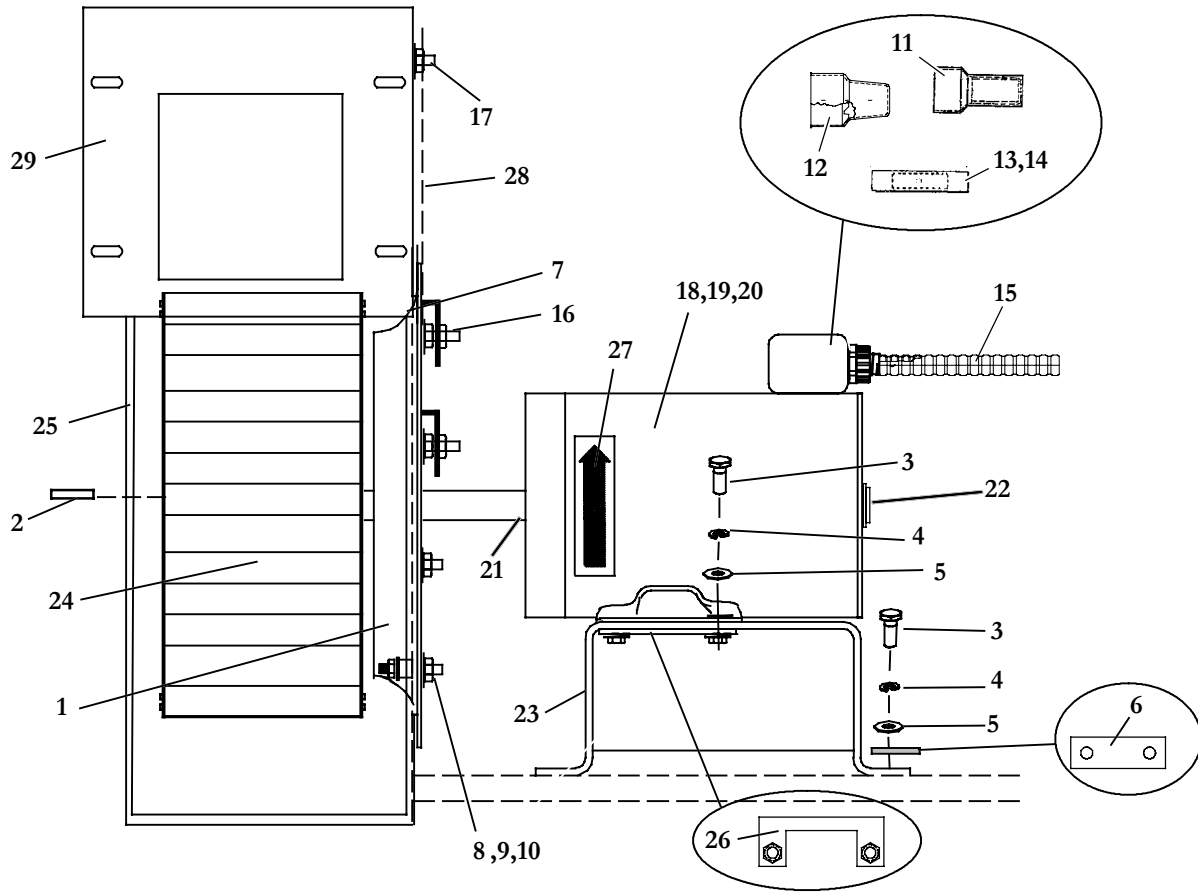
Item	Part Number	Description	Qty
18	AC501-148	Motor, Blower, Evaporator, .8HP, 24VDC, Wound Field - Includes:	2
19	54-00508-30	Brush, Motor	4
20	54-50067-31	Holder, Brush	1
21	54-00517-20	Bearing, Shaft End	1
22	54-00122-23	Bearing, Opposite Shaft End	1
23	86-62061-00	Bracket Assembly, Motor Mounting, Evaporator, Painted	2
24	38-00512-00	Blower Wheel, CounterClockwise, 9 Inch Diameter - Roadside	1
	38-00512-01	Blower Wheel, Clockwise, 9 Inch Diameter - Curbside	1
25	68RM35-878	Blower Housing - Curbside	1
	68RM35-554-1	Blower Housing - Roadside	1
26	68RM40-202-3P	Bracket Assembly, Painted (2 Required Per Motor)	4
27	62-62038-00	Label, Arrow	2
28	68RM35-1153	Insulation, Blower Housing, 0.38 Foam - Curbside	1
	68RM35-1153-1	Insulation, Blower Housing, 0.38 Foam - Roadside	1



11.3 Evaporator Blower Assembly Model 68RM30-100-2			
Item	Part Number	Description	Qty
18	54-00599-00	Motor, Blower, Evaporator, .75HP, 24VDC, Permanent Magnet - Includes:	2
19	54-50067-00	Brush, Motor	4
20	54-50067-31	Holder, Brush	1
21	54-00508-20	Bearing, Shaft End	1
22	54-00122-23	Bearing, Opposite Shaft End	1
23	68RM35-107P	Bracket Assembly, Motor Mounting, Evaporator, Painted	2
24	38-00512-00	Blower Wheel, Clockwise, 9 Inch Diameter - Roadside	1
	38-00512-01	Blower Wheel, CounterClockwise, 9 Inch Diameter - Curbside	1
25	38-00565-00	Blower Housing (Coated) - Curbside	1
	38-00565-02	Blower Housing (Coated) - Roadside	1
26	68RM40-202-2P	Bracket Assembly, Painted (2 Required Per Motor)	4
27	62-62038-00	Label, Arrow	2
28	42-62030-00	Insulation, Blower Housing, 0.38 Foam - Curbside	1
	42-62030-01	Insulation, Blower Housing, 0.38 Foam - Roadside	1
11.4 Evaporator Blower Assembly Models 68RM30-101-2			
18	54-00599-00	Motor, Blower, Evaporator, .75HP, 24VDC, Permanent Magnet - Includes:	2
19	54-50067-00	Brush, Motor	4
20	54-50067-31	Holder, Brush	1
21	54-00508-20	Bearing, Shaft End	1
22	54-00122-23	Bearing, Opposite Shaft End	1
23	86-62060-00	Bracket Assembly, Motor Mounting, Evaporator, Painted	2
24	38-00512-00	Blower Wheel, Clockwise, 9 Inch Diameter - Roadside	1
	38-00512-01	Blower Wheel, CounterClockwise, 9 Inch Diameter - Curbside	1
25	68RM35-878	Blower Housing - Curbside	1
	68RM35-554-1	Blower Housing (Coated) - Roadside	1
26	68RM40-202-2P	Bracket Assembly, Painted (2 Required Per Motor)	4
27	62-62038-00	Label, Arrow	2
28	68RM35-1153	Insulation, Blower Housing, 0.38 Foam - Roadside	1
	68RM35-1153-1	Insulation, Blower Housing, 0.38 Foam - Curbside	1
29	42-01232-00	Gasket, Blower Duct, Adhesive Backed	2
11.5 Evaporator Blower Assembly Models 68RM30-101-3			
18	AC501-152	Motor, Evaporator Blower, .75HP, 24VDC, Brushless	2
23	68RM35-107P	Bracket Assembly, Motor Mounting, Evaporator, Painted	2
24	38-00512-00	Blower Wheel, Clockwise, 9.00 Diameter - Roadside	1
	38-00512-01	Blower Wheel, CounterClockwise, 9.00 Diameter - Curbside	1
25	38-00565-00	Blower Housing (Coated) - Curbside	1
	38-00565-02	Blower Housing (Coated) - Roadside	1
26	68RM40-202-2P	Bracket Assembly, Painted (2 Required Per Motor)	4
28	42-62030-00	Insulation, Blower Housing, 0.38 Foam - Curbside	1
	42-62030-01	Insulation, Blower Housing, 0.38 Foam - Roadside	1
29	42-01232-00	Gasket, Blower Duct, Adhesive Backed	2



11 EVAPORATOR BLOWER ASSEMBLIES (Continued)



NOTE: Part Numbers And Descriptions For Items 1 Thru 17 Are Found In Section

11.6 Evaporator Blower Assembly Model 68RM30-101-6, -9, -18, -20

Item	Part Number	Description	Qty
18	54-00599-00	Motor, Blower, Evaporator, .75HP, 24VDC, Permanent Magnet - Includes:	2
19	54-50067-00	Brush, Motor	4
20	54-50067-31	Holder, Brush	1
21	54-00508-20	Bearing, Shaft End	1
22	54-00122-23	Bearing, Opposite Shaft End	1
23	68RM35-107P	Bracket Assembly, Motor Mounting, Evaporator, Painted	2
24	38-00512-00	Blower Wheel, Clockwise, 9 Inch Diameter - Curbside	1
	38-00512-01	Blower Wheel, CounterClockwise, 9 Inch Diameter - Roadside	1
25	68RM35-898	Blower Housing - Roadside	1
	68RM35-898-1	Blower Housing - Curbside	1
26	68RM40-202-2P	Bracket Assembly, Painted (2 Required Per Motor)	4
27	62-62038-00	Label, Arrow	2
28	42-62070-01	Insulation, Blower Housing, 0.38 Foam - Roadside	1
	42-62070-00	Insulation, Blower Housing, 0.38 Foam - Curbside	1

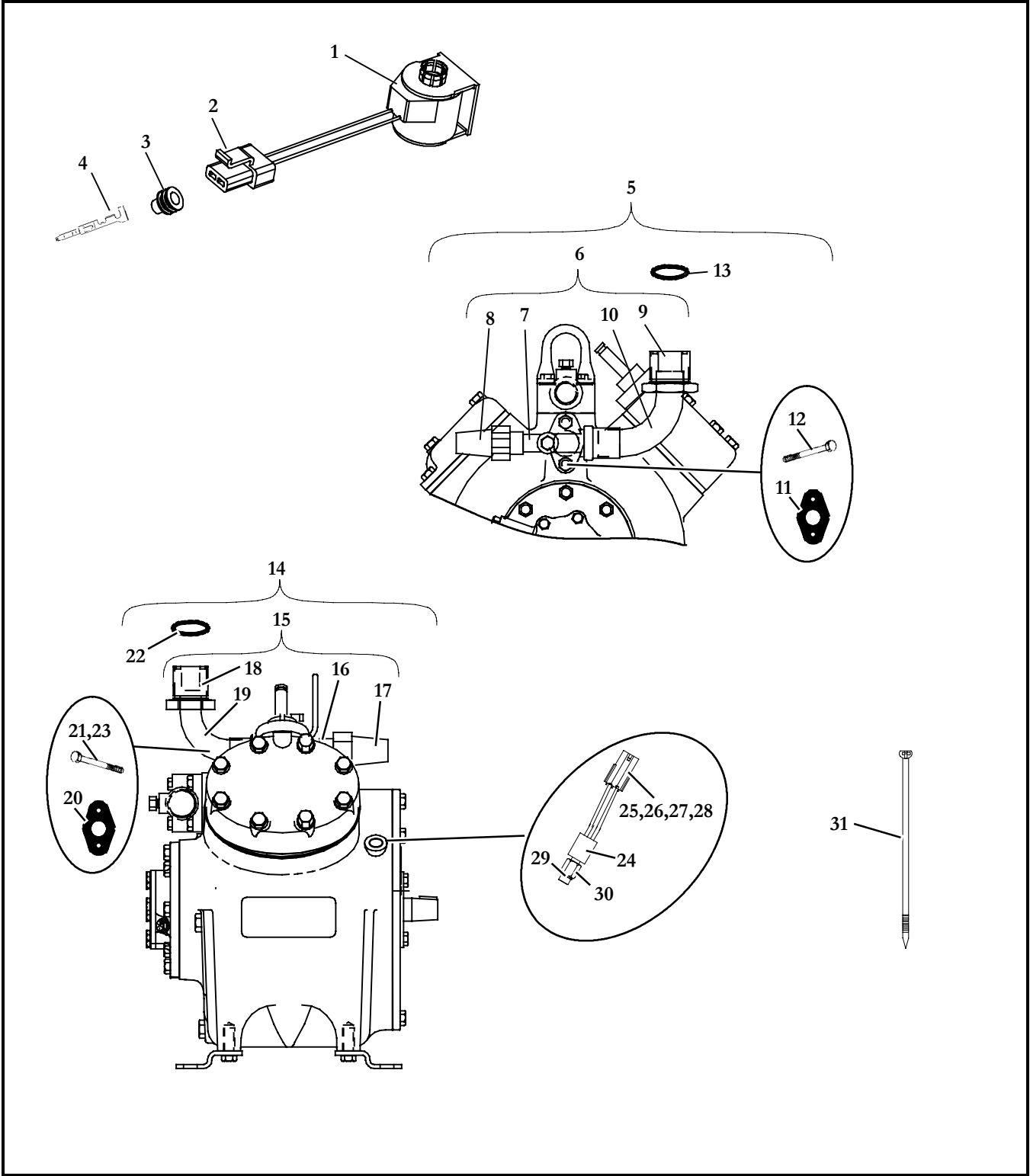


11.7 Evaporator Blower Assembly Models 68RM30-101-4, -8			
Item	Part Number	Description	Qty
18	AC501-148	Motor, Evaporator Blower, .75HP, 24VDC, Wound Field - Includes:	2
19	54-00508-30	Brush, Motor	4
20	54-00517-20	Bearing, Shaft End	1
21	54-00122-23	Bearing, Opposite Shaft End	1
22	54-50067-31	Holder, Brush, Motor	1
23	68RM35-117P	Bracket Assembly, Motor Mounting, Evaporator, Painted	2
24	38-00512-00	Blower Wheel, Clockwise, 9.00 Diameter - Roadside	1
	38-00512-01	Blower Wheel, CounterClockwise, 9.00 Diameter - Curbside	1
25	38-00571-00	Blower Housing (Coated) - Curbside	1
	38-00571-01	Blower Housing (Coated) - Roadside	1
26	68RM40-202-3P	Bracket Assembly, Painted (2 Required Per Motor)	4
27	62-62038-00	Label, Rotation Arrow	4
28	42-62070-00	Insulation, Blower Housing - Curbside	1
	42-62070-01	Insulation, Blower Housing - Roadside	1
29	42-01232-00	Gasket, Blower Duct, Adhesive Backed	2
11.8 Evaporator Blower Assembly Models 68RM30-101-7, -10, -11, -15, -16, -17, -19, -21, -22			
18	AC501-152	Motor, Evaporator Blower, .75HP, 24VDC, Brushless	2
23	68RM35-107P	Bracket Assembly, Motor Mounting, Evaporator, Painted	2
24	38-00512-00	Blower Wheel, Clockwise, 9.00 Diameter - Roadside	1
	38-00512-01	Blower Wheel, CounterClockwise, 9.00 Diameter - Curbside	1
25	38-00571-00	Blower Housing (Coated) - Curbside	1
	38-00571-01	Blower Housing (Coated) - Roadside	1
26	68RM40-202-2P	Bracket Assembly, Painted (2 Required Per Motor)	4
28	42-62070-00	Insulation, Blower Housing - Curbside	1
	42-62070-01	Insulation, Blower Housing - Roadside	1
29	42-01232-00	Gasket, Blower Duct, Adhesive Backed	2



12 COMPRESSOR INSTALLATION COMPONENTS

12.1 Compressor Installation Components - 05K Systems - Common Parts



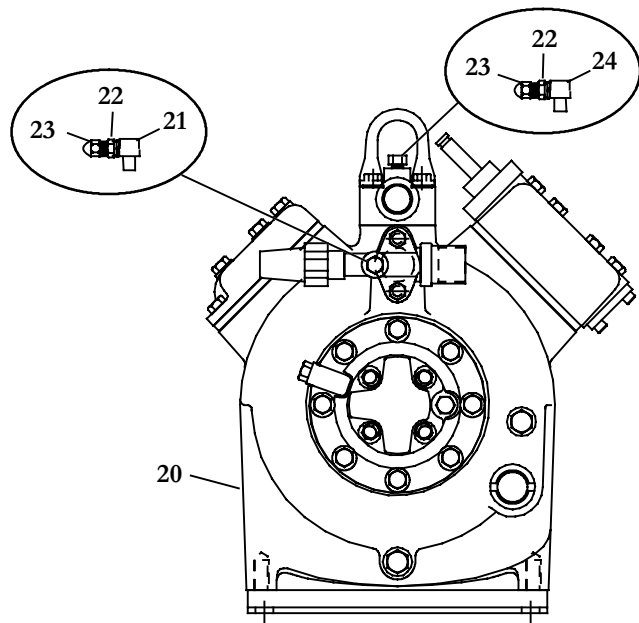
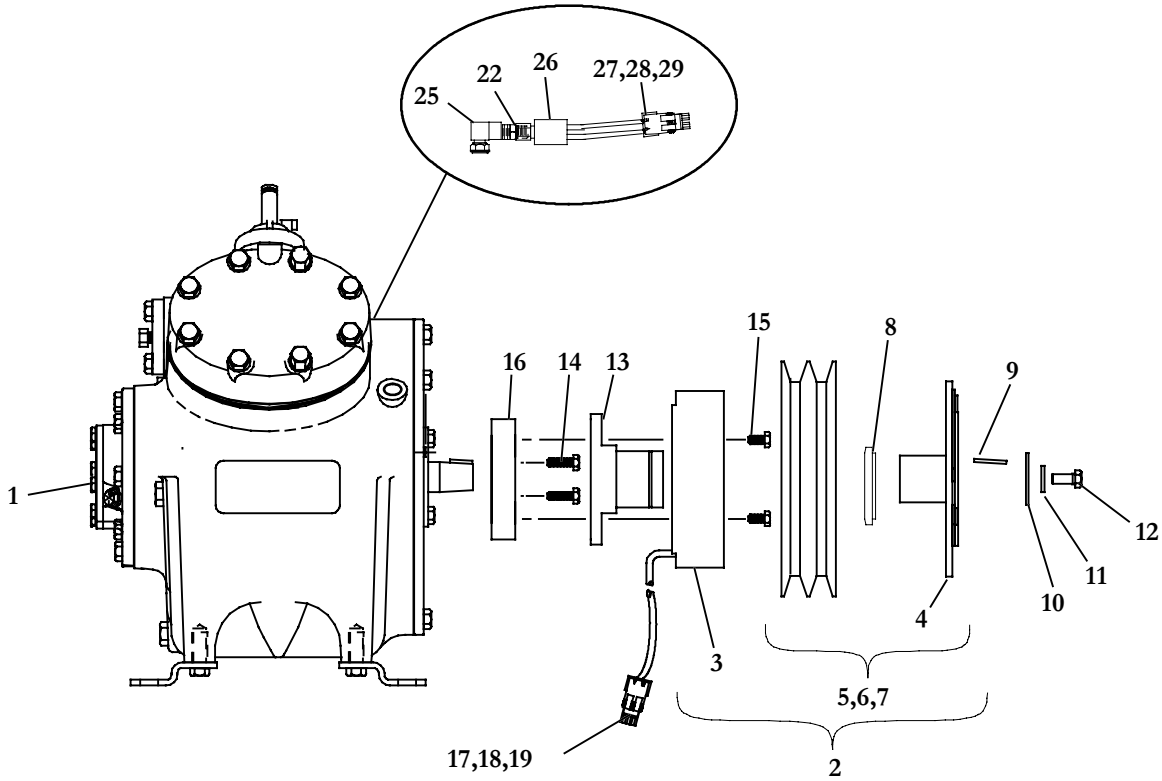


12.1 Compressor Installation Components - 05K Systems - Common Parts (Continued)			
Item	Part Number	Description	Qty
Item	Part Number	Description	Qty
1	22-02804-02	Coil, Solenoid, Compressor Unloader, 24 VDC	1
2	22-02392-01	Connector, 2 Pin, Medium Gray	1
3	22-02393-01	Terminal, Male (18-20 AWG)	2
4	22-02394-00	Seal, Cable, Gray	2
5	68PD2-110-14	Valve Assembly Kit, Suction, Service - Includes:	1
6	68PD1-343	Valve Assembly, Suction - Includes:	1
7	14-01042-06	Valve, Service, Suction, 1 1/8 ODF - Includes:	1
8	17-10812-00	Cap, Service Valve (With NSS O-Ring Seal)	1
9	40-00491-01	Fitting, ORS, 1.125 ODF x 1-11/16-12	1
10	68PD1-1102	Tube, Bent, 1-1/8 OD x .065W Steel	1
11	17-10811-05	Gasket, Suction Service Valve (Valve to Compressor)	1
12	17-57019-05	Screw, Hex Head Cap, 5/16-18 x 1.75 Inch Long, Grade 8, Zinc Plated	2
13	42-00243-01	O-Ring, 1.171 ID x 0.139 Thick	2
14	68PD2-110-65	Valve Assembly Kit, Discharge, Service - Includes:	1
15	68PD1-313	Valve Assembly, Discharge, With Tube & Fitting - Includes:	1
16	14-01042-08	Valve, Service, Discharge, 7/8 ODF - Includes:	1
17	17-10812-00	Cap, Service Valve (With NSS O-Ring Seal)	1
18	40-00491-00	Fitting, ORS, 0.875 ODF x 1-7/16-12	1
19	68PD1-1092	Tube, Bent, 7/8 OD x .049W Steel	1
20	17-21003-00	Gasket, Discharge Service Valve (Valve to Compressor)	1
21	17-40012-00	Bolt, Hex Head, 5/16-18 x 2.00 Inches Long	2
22	42-00243-00	O-Ring, 0.921 ID x 0.139 Thick	2
23	AU02AB202	Washer, Plain, 5/16 SAE, Zinc Plated	2
24	12-00299-01	Switch, Pressure, Low - Includes:	1
25	22-02392-00SV	Connector Kit, 2 Pin - Includes:	1
26	NSS	Connector, Male, 2 Pin, Black	1
27	22-02393-00	Terminal, Male (14-16 AWG)	2
28	22-02394-01	Seal, Cable, Blue (14-18 AWG)	2
29	42-00243-07	O-Ring, 0.351 ID x 0.072 Thick	1
30	40-00528-01	Connector, 1/4 FPT x 7/16-20, Steel	1
31	66U1-3882	Wire Tie, Self-Locking, 7.00 Inches	1



12.2 Compressor Installation Components - 05K Systems - 68RM30-100-1, -2

Kit 68PD524-204-23



Note: Common Parts Are Listed In Section 12.1

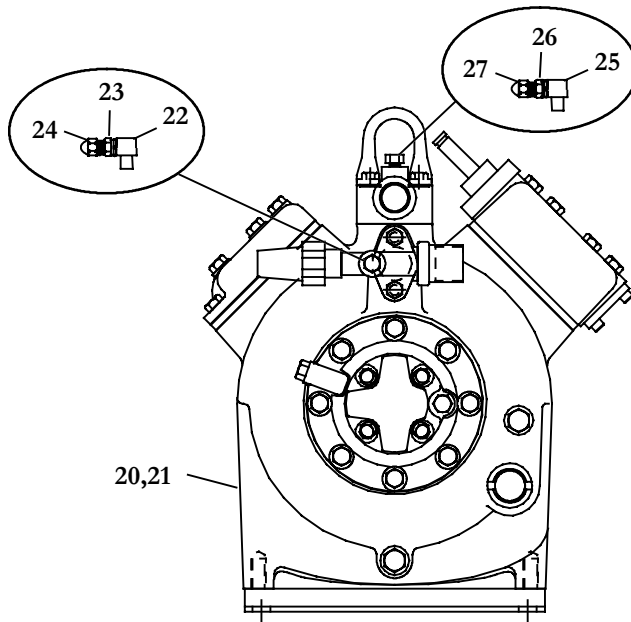
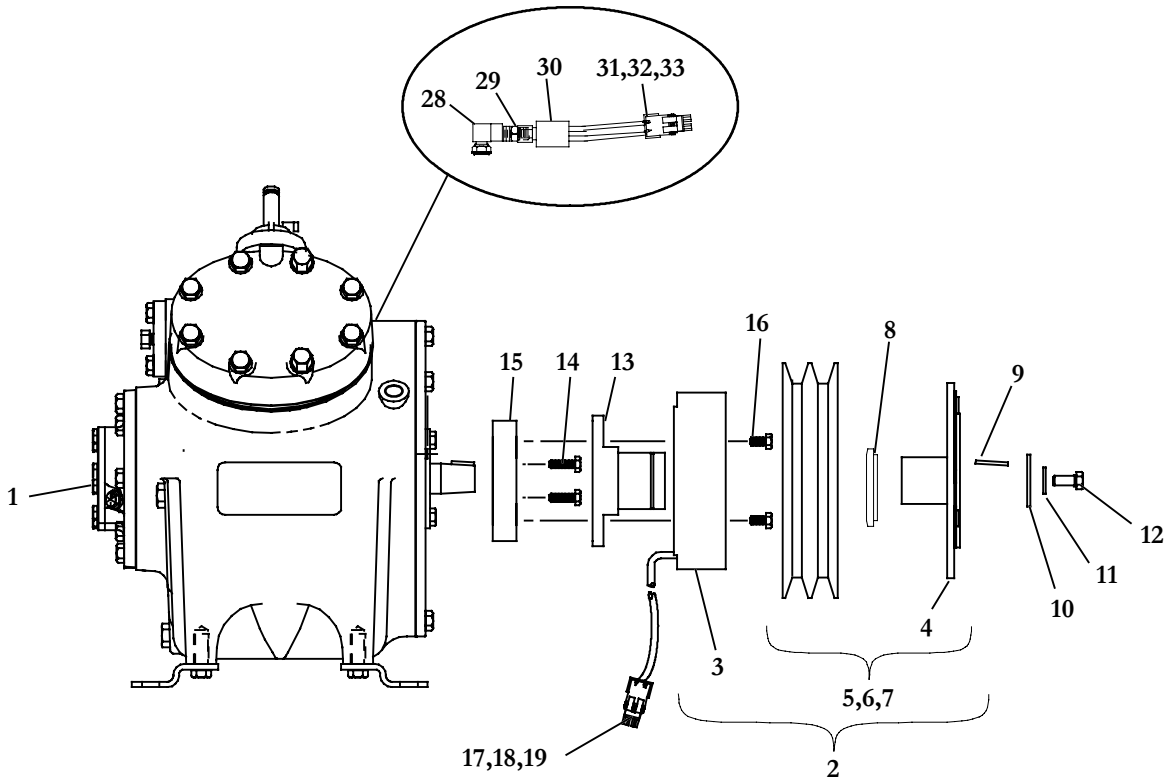


12.2 Compressor Installation Components - 05K Systems - 68RM30-100-1, -2 (Continued)			
Item	Part Number	Description	Qty
1	17-44730-00RM	Compressor Assembly, 05K Service (Remanufactured, 24 CFM, R-22)	1
2	50-01122-33	Clutch Assembly, 24VDC, 2-5V (Less Lock Nut Item 8) - Includes:	1
3	50-01122-50	Coil, Clutch, 24 VDC	1
4	NSS	Armature Assembly	1
5	50-01122-507	Rotor And Armature Assembly (2-5V Groove) - Includes:	1
6	04-00130-00	Bearing	1
7	34-01186-00	Ring, Retainer	1
8	34-06083-00	Nut, Lock, Clutch, Special	1
9	17-44719-00	Key, Crankshaft, 0.25 Inch Square X 0.75 Inch Long	1
10	68G2-9082-1	Washer, Special, 0.344 ID	1
11	34-00368-12	Washer, Split Lock, 5/16 Inch	1
12	34-00615-26	Screw, Hex Head Cap, 5/16-18 x 3.25 Inches Long, Grade 8, Zinc Plated	1
13	68PD1-1013	Hub, Clutch Bearing, 05K Compressor	1
14	34-00615-08	Screw, Hex Head Cap, 5/16-18 x 1.00 Inch Long, Grade 8, Zinc Plated	4
15	34-00615-05	Screw, Hex Head Cap, 5/16-18 x 0.63 Inch Long, Grade 8, Zinc Plated	6
16	68PD1-1003	Adapter, Clutch, 05K Compressor	1
17	22-02393-00	Terminal, Male (14-16 AWG)	2
18	22-02394-01	Seal, Cable, Blue	2
19	22-01585-02	Connector, Male, 2 Pin, Medium Gray	1
20	62-03797-00	Label, Charge Only With R-22	1
21	40-00060-02	Elbow, Street, 1/4 FPT x 1/4 MPT	3
22	06DA403844	Valve Assembly, Schrader, 1/4 Male Flare	2
23	40-00086-04	Cap, Nut, 1/4 FFL, Brass	2
24	40-00060-08	Elbow, Street, 1/4 FPT x 1/8 MPT	1
25	14-01093-00	Snubber Assembly, 90 Degree, 1/4 MPT x 1/4 FPT	1
26	12-00299-00	Switch, Pressure, High - Includes:	1
27	22-01585-00SK	Connector, Male, 2 Pin, Black	1
28	22-02393-00	Terminal, Male (14-16 AWG)	2
29	22-02394-01	Seal, Cable, Blue	2



12.3 Compressor Installation Components - 05K Systems - 68RM30-101-2, -3, -6, -10, -11

Kit 68PD524-204-22



Note: Common Parts Are Listed In Section 12.1

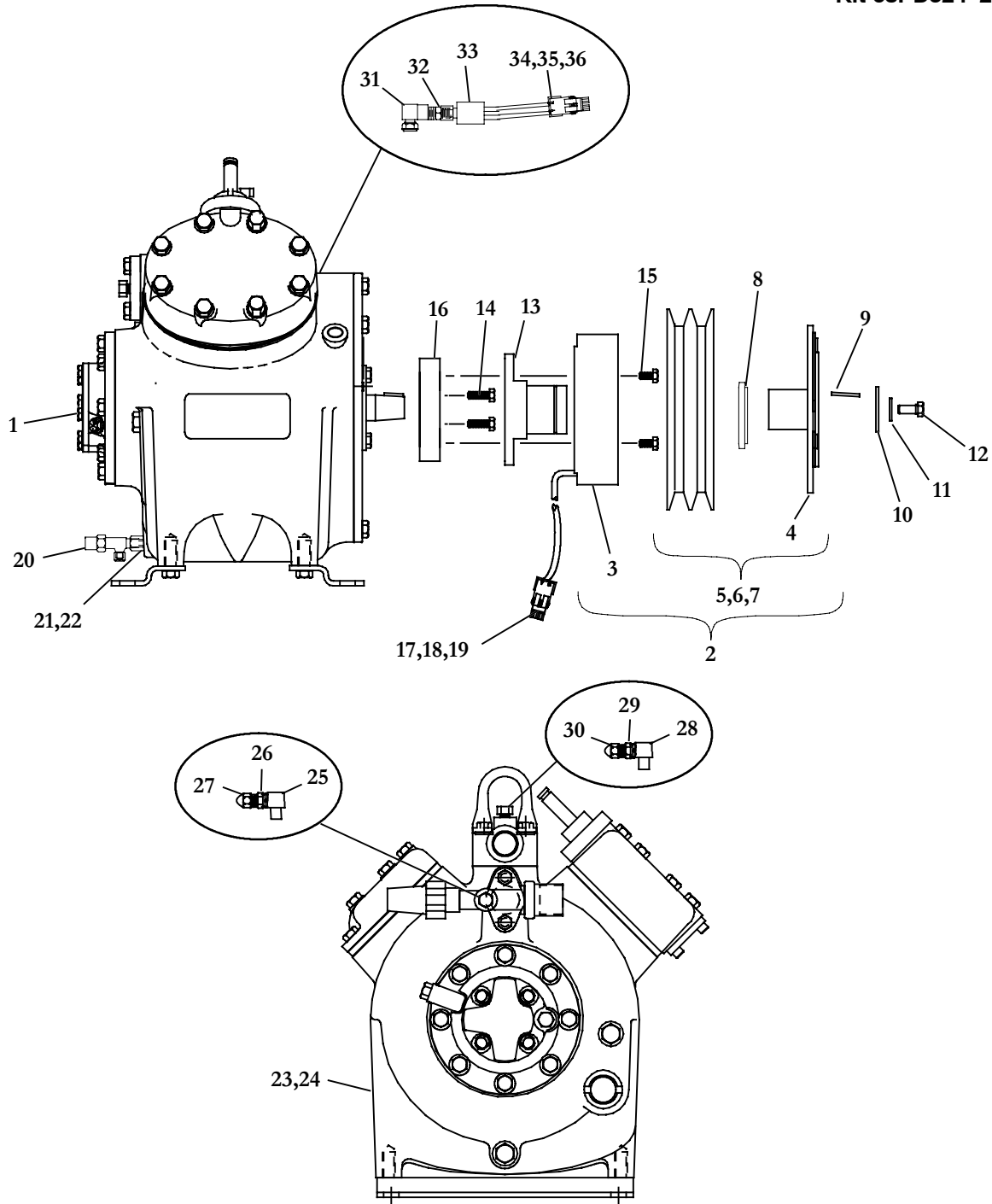


12.3 Compressor Installation Components - 05K Systems - 68RM30-101-2, -3, -6, -10, -11 (Continued)			
Item	Part Number	Description	Qty
1	18-00056-100RM	Compressor Assembly, 05K Service (Remanufactured, 24 CFM, R-134a)	1
2	50-01122-33	Clutch Assembly, 24VDC, 2-5V (Less Lock Nut Item 8) - Includes:	1
3	50-01122-50	Coil, Clutch, 24 VDC	1
4	NSS	Armature Assembly	1
5	50-01122-507	Rotor And Armature Assembly (2-5V Groove) - Includes:	1
6	04-00130-00	Bearing	1
7	34-01186-00	Ring, Retainer	1
8	34-06083-00	Nut, Lock, Clutch, Special	1
9	17-44719-00	Key, Crankshaft, 0.25 Inch Square X 0.75 Inch Long	1
10	68G2-9082-1	Washer, Special, 0.344 ID	1
11	34-00368-12	Washer, Split Lock, 5/16 Inch	1
12	34-00615-26	Screw, Hex Head Cap, 5/16-18 x 3.25 Inches Long, Grade 8, Zinc Plated	1
13	68PD1-1013	Hub, Clutch Bearing, 05K Compressor	1
14	34-00615-08	Screw, Hex Head Cap, 5/16-18 x 1.00 Inch Long, Grade 8, Zinc Plated	4
15	34-00615-05	Screw, Hex Head Cap, 5/16-18 x 0.63 Inch Long, Grade 8, Zinc Plated	6
16	68PD1-1003	Adapter, Clutch, 05K Compressor	1
17	22-02393-00	Terminal, Male (14-16 AWG)	2
18	22-02394-01	Seal, Cable, Blue	2
19	22-01585-02	Connector, Male, 2 Pin, Medium Gray	1
20	62-62039-00	Label, Charge Only with R-134a	1
21	62-02913-00	Label, POE Oil, Compressor	1
22	40-00524-00	Elbow, 1/4 NPT x M13, Low Pressure Side	1
23	40-00520-00	Coupling, Service Port, M13, R-134a - Includes:	1
24	40-00520-02	Cap, Service Port	1
25	40-00524-01	Elbow, 1/8 NPT x M15, High Pressure Side	1
26	40-00520-01	Coupling, Service Port, M15, R-134a - Includes:	1
27	40-00520-03	Cap, Service Port	1
28	14-01093-00	Snubber Assembly, 90 Degree, 1/4 MPT x 1/4 FPT	1
29	06DA403844	Valve Assembly, Schrader, 1/4 Male Flare	1
30	12-00299-07	Switch, Pressure, High - Includes:	1
31	22-01585-00SK	Connector, Male, 2 Pin, Black	1
32	22-02393-00	Terminal, Male (14-16 AWG)	2
33	22-02394-01	Seal, Cable, Blue	2



12.4 Compressor Installation Components - 05K Systems - 68RM30-101-4, -7

Kit 68PD524-204-27



Note: Common Parts Are Listed In Section 12.1

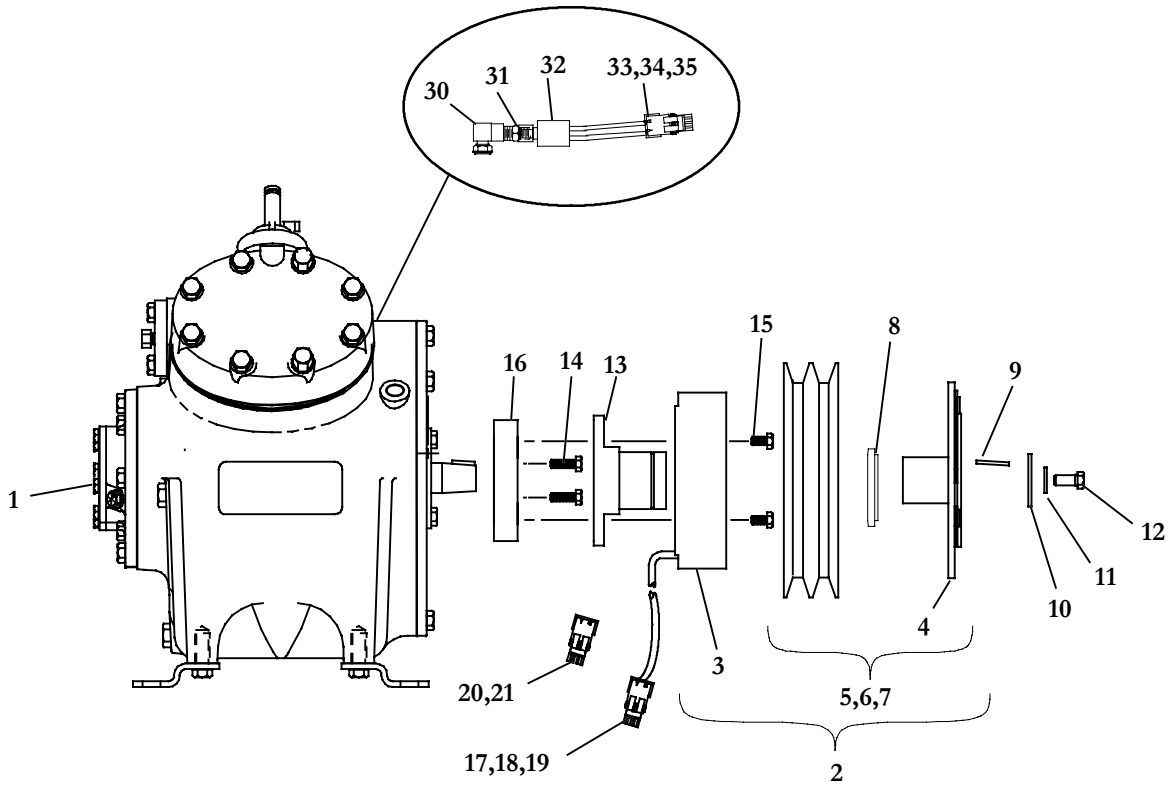


12.4 Compressor Installation Components - 05K Systems - 68RM30-101-4, -7 (Continued)			
Item	Part Number	Description	Qty
1	18-00056-100RM	Compressor Assembly, 05K Service (Remanufactured, 24 CFM, R-134a)	1
2	50-01122-33	Clutch Assembly, 24VDC, 2-5V (Less Lock Nut Item 8) - Includes:	1
3	50-01122-50	Coil, Clutch, 24 VDC	1
4	NSS	Armature Assembly	1
5	50-01122-507	Rotor And Armature Assembly (2-5V Groove) - Includes:	1
6	04-00130-00	Bearing	1
7	34-01186-00	Ring, Retainer	1
8	34-06083-00	Nut, Lock, Clutch, Special	1
9	17-44719-00	Key, Crankshaft, 0.25 Inch Square X 0.75 Inch Long	1
10	68G2-9082-1	Washer, Special, 0.344 ID	1
11	34-00368-12	Washer, Split Lock, 5/16 Inch	1
12	34-00615-26	Screw, Hex Head Cap, 5/16-18 x 3.25 Inches Long, Grade 8, Zinc Plated	1
13	68PD1-1013	Hub, Clutch Bearing, 05K Compressor	1
14	34-00615-08	Screw, Hex Head Cap, 5/16-18 x 1.00 Inch Long, Grade 8, Zinc Plated	4
15	34-00615-05	Screw, Hex Head Cap, 5/16-18 x 0.63 Inch Long, Grade 8, Zinc Plated	6
16	68PD1-1003	Adapter, Clutch, 05K Compressor	1
17	22-02393-00	Terminal, Male (14-16 AWG)	2
18	22-02394-01	Seal, Cable, Blue	2
19	22-01585-02	Connector, Male, 2 Pin, Medium Gray	1
20	EP23LC090	Valve, Angle, 1/4 MPT Inlet x 1/4 MFL Outlet (Oil Drain)	1
21	40-00528-01	Connector, 1/4 FPT x 7/16-20, Steel	1
22	42-00243-07	O-Ring, 0.351 ID x 0.072 Thick	2
23	62-62039-00	Label, Charge Only with R-134a	1
24	62-02913-00	Label, POE Oil, Compressor	1
25	40-00524-00	Elbow, 1/4 NPT x M13, Low Pressure Side	1
26	40-00520-00	Coupling, Service Port, M13, R-134a - Includes:	1
27	40-00520-02	Cap, Service Port	1
28	40-00524-01	Elbow, 1/8 NPT x M15, High Pressure Side	1
29	40-00520-01	Coupling, Service Port, M15, R-134a - Includes:	1
30	40-00520-03	Cap, Service Port	1
31	14-01093-00	Snubber Assembly, 90 Degree, 1/4 MPT x 1/4 FPT	1
32	06DA403844	Valve Assembly, Schrader, 1/4 Male Flare	1
33	12-00299-07	Switch, Pressure, High - Includes:	1
34	22-01585-00SK	Connector, Male, 2 Pin, Black	1
35	22-02393-00	Terminal, Male (14-16 AWG)	2
36	22-02394-01	Seal, Cable, Blue	2



12.5 Compressor Installation Components - 05K Systems - 68RM30-101-15, -16, -17, -18, -19, -20, -21, -22

Kit 68PD524-204-58



Note: Common Parts Are Listed In Section 12.1

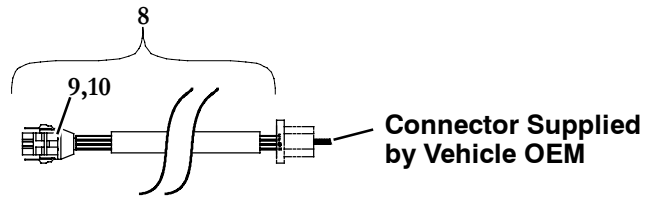
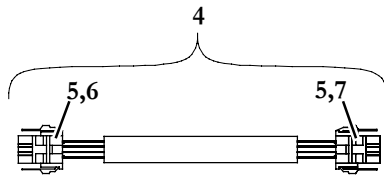
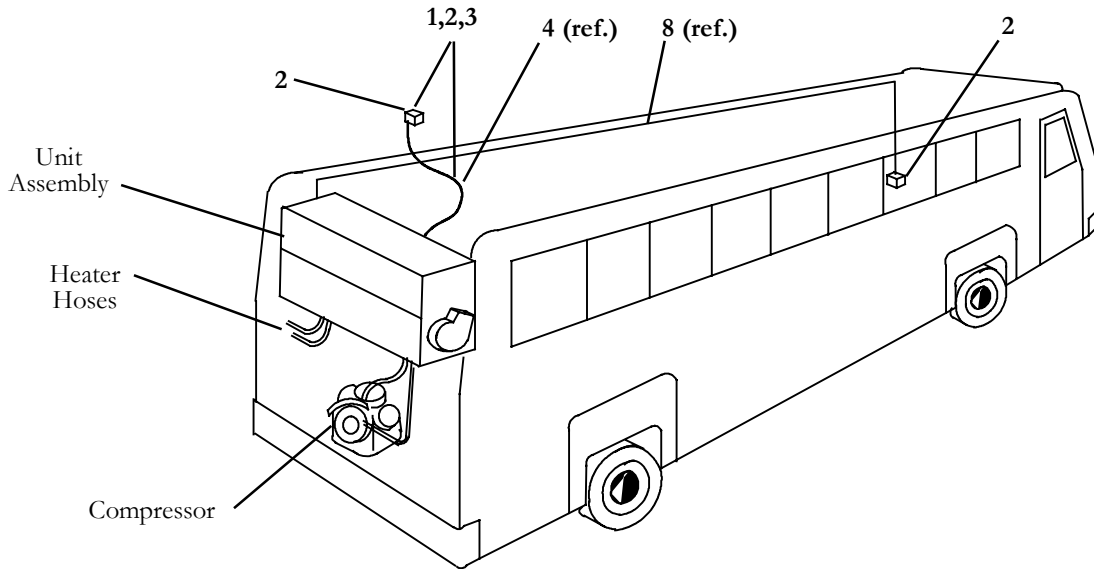


12.5 Compressor Installation Components - 05K Systems - 68RM30-101-15, -16, -17, -18, -19, -20, -21, -22 (Continued)

Item	Part Number	Description	Qty
1	18-00056-100RM	Compressor Assembly, 05K Service (Remanufactured, 24 CFM, R-134a)	1
2	50-01122-33	Clutch Assembly, 24VDC, 2-5V (Less Lock Nut Item 8) - Includes:	1
3	50-01122-50	Coil, Clutch, 24 VDC	1
4	NSS	Armature Assembly	1
5	50-01122-507	Rotor And Armature Assembly (2-5V Groove) - Includes:	1
6	04-00130-00	Bearing	1
7	34-01186-00	Ring, Retainer	1
8	34-06083-00	Nut, Lock, Clutch, Special	1
9	17-44719-00	Key, Crankshaft, 0.25 Inch Square X 0.75 Inch Long	1
10	68G2-9082-1	Washer, Special, 0.344 ID	1
11	34-00368-12	Washer, Split Lock, 5/16 Inch	1
12	34-00615-26	Screw, Hex Head Cap, 5/16-18 x 3.25 Inches Long, Grade 8, Zinc Plated	1
13	68PD1-1013	Hub, Clutch Bearing, 05K Compressor	1
14	34-00615-08	Screw, Hex Head Cap, 5/16-18 x 1.00 Inch Long, Grade 8, Zinc Plated	4
15	34-00615-05	Screw, Hex Head Cap, 5/16-18 x 0.63 Inch Long, Grade 8, Zinc Plated	6
16	68PD1-1003	Adapter, Clutch, 05K Compressor	1
17	22-02393-00	Terminal, Male (14-16 AWG)	2
18	22-02394-01	Seal, Cable, Blue	4
19	22-01585-02	Connector, Male, 2 Pin, Medium Gray	1
20	22-01566-00	Terminal, Female (14-16 AWG)	2
21	22-01585-00SK	Connector, Male, 2 Pin, Black	1
22	62-62039-00	Label, Charge Only with R-134a	1
23	62-02913-00	Label, POE Oil, Compressor	1
24	40-00524-00	Elbow, 1/4 NPT x M13, Low Pressure Side	1
25	40-00520-00	Coupling, Service Port, M13, R-134a - Includes:	1
26	40-00520-02	Cap, Service Port	1
27	40-00524-01	Elbow, 1/8 NPT x M15, High Pressure Side	1
28	40-00520-01	Coupling, Service Port, M15, R-134a - Includes:	1
29	40-00520-03	Cap, Service Port	1
30	14-01093-00	Snubber Assembly, 90 Degree, 1/4 MPT x 1/4 FPT	1
31	06DA403844	Valve Assembly, Schrader, 1/4 Male Flare	1
32	12-00299-07	Switch, Pressure, High - Includes:	1
33	22-01585-00SK	Connector, Male, 2 Pin, Black	1
34	22-02393-00	Terminal, Male (14-16 AWG)	2
35	22-02394-01	Seal, Cable, Blue	2



13 MICROMATE CONTROL PANEL



Item	Part Number	Description	Qty
1	CM090-226	Kit, Microprocessor Diagnostic Service Tool With Harness - Includes:	1
2	12-00391-03	Module, Drivers Display (Micromate Control Panel)	1
3	CM201-968	Harness, Display Module, 70 Inches (One End Uses Deutsch Connector)	1
4	22-62032-00	Harness, Display Module, 35 Inches (Used With Micromate As A Diagnostic Tool, Connects To J2 Port On Controller Logic Module) - Includes:	1
5	22-62026-00	Connector, 6 Position, Red (MCP)	1
6	22-50145-00	Connector, 4 Position(J2)	1
7	22-50152-00	Terminal, Female Receptacle (16-26 AWG)	8
8	22-62062-00	Harness, A/C Control, 58 Feet Long (Installed By Vehicle Manufacturer) - Includes:	1
9	22-62026-00	Connector, 6 Position, RED (MCP)	1
10	22-50152-00	Terminal, Female Receptacle (16-26 AWG)	4



INDEX

PART NUMBER PAGE NUMBER

0

02-00010-01 41, 46, 51, 56
 02-00314-00 62, 63
 04-00130-00 75, 77, 79, 81
 06DA403844 75, 77, 79, 81
 08-62014-02 35, 36
 08-62015-00 35, 36

1

10-00247-03 25, 26, 30, 33
 10-00247-05 26, 28, 30
 10-00286-09 25, 26, 28, 31, 34
 10-00286-11 24, 26, 28, 30, 33
 10-00286-12 24, 26, 28, 30, 33
 10-00300-02 22
 10-00307-01 25, 33
 10-00309-00 27
 10-00314-00 27
 10-00315-00 2
 12-00299-00 75
 12-00299-01 73
 12-00299-07 77, 79, 81
 12-00352-00 2
 12-00371-01 24, 26, 30, 33
 12-00391-03 5, 7, 17, 19, 21, 29, 82
 12-00392-15 24, 26, 28, 30, 33
 12-00392-16 30, 33
 12-00486-01 28
 12-00495-02SV 3, 25, 27, 29, 31, 34
 12-00523-00 31
 14-00111-00 38, 43, 48, 53
 14-00194-00 58, 60
 14-00236-00 40, 45, 50, 55
 14-00236-50 40, 45, 50, 55

PART NUMBER PAGE NUMBER

14-00236-51 40, 45, 50, 55
 14-00281-04 38, 43, 48, 53
 14-00320-00 40, 45, 50, 55
 14-00351-00 38, 40, 43, 45, 48, 50, 53, 55
 14-01032-01 38, 43, 48, 53
 14-01042-06 73
 14-01042-08 73
 14-01093-00 75, 77, 79, 81
 14-01104-35 48, 53
 14-01104-48 38, 43
 14-01110-02 58, 60
 14-50036-00 58, 60
 14-50050-01 38, 43, 48, 53
 14-50051-00 38, 43, 48, 53
 14-50093-00 38, 43, 48, 53
 16-03301-00 38, 43, 48, 53
 17-10811-05 73
 17-10812-00 73
 17-21003-00 73
 17-40012-00 73
 17-44719-00 75, 77, 79, 81
 17-44730-00RM 75
 17-57019-05 73
 18-00056-100RM ... 77, 79, 81

2

22-00121-04 27
 22-00121-27 34
 22-00872-01 7, 15, 19
 22-01140-02 9
 22-01292-02 64, 67
 22-01449-00 25, 26, 29, 30, 33
 22-01563-05 25, 26, 28, 30, 33
 22-01565-01 11, 13, 15, 19, 21
 22-01566-00 81



INDEX

PART NUMBER	PAGE NUMBER	PART NUMBER	PAGE NUMBER
22-01566-01	11, 13, 15, 25, 27, 29, 32, 34	22-02448-00SV	2
22-01584-00	7, 9, 15, 19	22-02804-02	73
22-01585-00	11	22-02863-00	31
22-01585-00SK	5, 7, 9, 11, 13, 15, 17, 19, 21, 75, 77, 79, 81	22-02885-00	27, 31, 34
22-01585-02	5, 7, 9, 13, 15, 17, 19, 21, 75, 77, 79, 81	22-02886-00	27
22-01585-03	11, 13, 15, 19, 21	22-02894-00	31
22-01594-00	22	22-02901-00	27
22-01612-00	25, 26, 29, 30, 33	22-50078-76B	2
22-02126-02	66, 67	22-50098-16	29
22-02126-03	11, 17, 21, 66, 67	22-50098-19	29
22-02301-02	5, 7, 9, 11, 13, 15, 17, 19, 21	22-50099-00	19
22-02301-03	3	22-50099-02	11, 15
22-02302-02	5, 9, 11, 13, 15, 17, 19, 21	22-50099-09	13, 17, 21
22-02302-03	3, 7	22-50122-05	25, 27, 29, 31, 34
22-02336-02	28	22-50122-15	31
22-02336-04	25, 26, 27, 29, 30, 31, 33, 34	22-50134-00	24, 27, 31, 34
22-02336-06	24, 26, 28, 30, 33	22-50135-00	24, 27, 31, 34
22-02336-08	28	22-50136-00	24, 27, 32, 34
22-02336-25	27, 31	22-50137-00	24, 27, 32, 34
22-02338-02	25, 27, 29, 31, 34	22-50138-00	24, 27, 32, 34
22-02338-03	27, 31	22-50143-00	24, 27, 29, 34
22-02392-00SV	5, 7, 9, 11, 12, 15, 17, 19, 20, 27, 32, 34, 73	22-50144-00	24, 27, 29, 31, 34
22-02392-01	5, 7, 9, 11, 13, 15, 17, 19, 21, 73	22-50145-00	5, 7, 11, 13, 15, 17, 19, 21, 24, 29, 82
22-02392-02	5, 7, 9	22-50146-00	24, 27, 29, 31, 34
22-02393-00	5, 7, 9, 11, 13, 15, 17, 19, 20, 73, 75, 77, 79, 81	22-50148-00	25, 27, 29, 31, 34
22-02393-01	5, 7, 9, 11, 13, 15, 17, 19, 21, 25, 27, 29, 32, 34, 73	22-50152-00	5, 7, 11, 13, 15, 17, 19, 21, 24, 27, 29, 31, 34, 82
22-02394-00	5, 7, 9, 11, 13, 15, 17, 19, 21, 73	22-50153-00	24, 27, 29, 31, 34
22-02394-01	5, 7, 9, 11, 13, 15, 17, 19, 21, 27, 32, 34, 73, 75, 77, 79, 81	22-50236-00	24, 26, 28, 30, 33
22-02394-02	11, 13, 15	22-50275-00	24, 27, 31, 34
		22-50346-00	27, 31, 34
		22-50347-00	27, 31, 34
		22-50359-00	27, 31, 34
		22-62005-00	2
		22-62017-00	5, 7, 9, 11, 13, 15, 17, 19, 21



INDEX

PART NUMBER	PAGE NUMBER	PART NUMBER	PAGE NUMBER
22-62018-00	5, 7, 9	34-00662-11	3, 35, 36, 38, 43, 48, 58, 60, 62, 63, 64, 67
22-62018-01	11, 13, 15, 17, 19, 21	34-00662-12	35, 36, 40, 45, 50, 53, 67
22-62026-00	5, 7, 17, 19, 21, 25, 29, 82	34-00662-13	38, 43, 48, 53
22-62032-00	82	34-00662-14	53
22-62048-00	29	34-00662-18	58, 60
22-62059-00	24	34-00663-08	23, 40, 45, 50, 55
22-62062-00	82	34-00663-09	7, 13, 15, 19, 25, 29
22-62063-00	5, 7, 17, 19, 21	34-00663-11	3, 23, 35, 36, 40, 45, 50, 55, 63, 64, 67
22-62076-00	27, 34	34-00663-12	35, 36, 41, 46, 51, 56, 64, 65, 67
22-62077-00	31	34-00663-13	38, 43, 46, 48, 53, 56, 64, 65, 66
22-62080-00	31	34-00665-06	63
22-62082-00	27, 31	34-00665-14	58, 60
22-62086-00	27	34-00666-11	41, 46, 56, 67
22-62087-00	34	34-00667-07	5, 17, 19, 21, 29, 59, 61
22-62097-00	11, 13, 15	34-00667-09	7, 9, 15, 19, 23
22-62186-00	6, 10, 12, 14, 16, 18, 20	34-00667-11	40, 45, 50, 67
22-62313-00	31	34-00667-57	7
3			
34-00360-09	22	34-00667-61	55
34-00368-12	75, 77, 79, 81	34-00672-00	64, 67
34-00373-03	3	34-00792-06	35, 36
34-00373-13	3	34-00792-08	64, 65, 67
34-00565-00	69	34-00795-09	62, 63
34-00565-02	69	34-00799-04	40, 45, 50, 55
34-00615-05	75, 77, 79, 81	34-00807-08	38, 43, 48, 53, 64, 65, 66
34-00615-08	75, 77, 79, 81	34-00855-04	38, 43, 48, 53
34-00615-26	75, 77, 79, 81	34-00879-03	3
34-00655-06	3, 35, 36, 40, 45, 50, 55, 62, 64	34-00938-13	3
34-00655-08	26, 30, 33, 58, 60, 67	34-01186-00	75, 77, 79, 81
34-00662-07	58, 60	34-06083-00	75, 77, 79, 81
34-00662-08	40, 45	34-06088-00	40, 45, 50, 55
34-00662-09	7, 13, 15, 19, 62, 63	34-06088-01	40, 45, 50, 55
		34-06095-01	2



INDEX

PART NUMBER	PAGE NUMBER	PART NUMBER	PAGE NUMBER
34-06121-03	40, 45, 50, 55	40-00090-18	56
34-06121-04	40, 45, 50, 55	40-00201-15	41, 45, 50
34-06179-01	7, 13, 15, 19, 25, 29	40-00243-00	38, 43, 48, 53
34-06179-03	23	40-00243-01	38, 43, 48, 53
34-06212-08	23, 55	40-00491-00	73
34-06212-10	23	40-00491-01	38, 43, 48, 53, 73
34-06212-12	23	40-00501-05	50, 55
34-06212-13	55	40-00501-06	40, 45
34-06212-14	64, 65, 66	40-00501-07	48, 53
34-06212-15	58, 60	40-00501-08	38, 43
34-06264-03	40, 45	40-00501-50	38, 40, 43, 45, 48, 50, 53, 55
34-06264-04	23, 50, 55	40-00503-03	40, 45, 50, 55
34-06264-06	25, 26, 29, 30, 33	40-00503-04	40, 45, 50, 55
34-50061-00	58, 60	40-00520-00	77, 79, 81
34-62000-00	22	40-00520-01	77, 79, 81
34-62000-01	22	40-00520-02	77, 79, 81
34-62001-00	3	40-00520-03	77, 79, 81
34-62055-00	23	40-00524-00	77, 79, 81
38-00512-00	68, 69, 70, 71	40-00524-01	77, 79, 81
38-00512-01	68, 69, 70, 71	40-00528-01	73, 79
38-00516-00	64	40-00541-02	58, 60
38-00547-00	57	40-01124-00	38, 43, 48, 53
38-00565-00	69	40-01224-00	40, 45, 50, 55
38-00565-02	69	42-00032-00	41, 46, 51, 56
38-00571-00	71	42-00243-00	73
38-00571-01	71	42-00243-01	73
		42-00243-03	40, 45, 50, 55
		42-00243-07	73, 79
		42-00243-11	40, 45, 50, 55
		42-01232-00	69, 71
		42-62005-00	23
		42-62008-00	62, 63
		42-62009-00	63
		42-62030-00	69
		42-62030-01	69
4			
40-00060-02	75		
40-00060-03	38, 43, 48, 53		
40-00060-08	75		
40-00071-46	38, 43, 48, 53		
40-00081-00	35, 36		
40-00086-04	75		



INDEX

PART NUMBER	PAGE NUMBER
42-62070-00	70, 71
42-62070-01	70, 71
44-00045-03	40, 50, 55
44-00102-06	7, 13, 15
44-00102-51	7, 13, 15, 19
44-00102-56	11, 17, 19, 21
44-00318-00	58, 60
44-00337-12	40, 45, 50

5

50-00122-23	68
50-01122-33	75, 77, 79, 81
50-01122-50	75, 77, 79, 81
50-01122-507	75, 77, 79, 81
54-00122-23	64, 65, 69, 70, 71
54-00508-20	69, 70
54-00508-30	65, 68, 71
54-00517-20	65, 68, 71
54-00533-00	66
54-00599-00	69, 70
54-50067-00	64, 69, 70
54-50067-31	64, 65, 68, 69, 70, 71
56-00143-74	45, 55
56-00143-75	40, 45, 50, 55
56-03639-00	38, 43, 48, 53
56-03843-03	50
56-03843-06	45, 55
56-62055-00	38, 43, 48, 53
56-62064-00	38, 43, 48, 53
56-62065-00	40, 45, 50, 55
56-62066-00	58
56-62079-00	58
56-62083-00	40, 45, 50
56-62083-01	55

PART NUMBER	PAGE NUMBER
56-62087-00	40, 50
56-62088-00	38, 48
56-62089-00	38, 43, 48, 53
56-62141-00	43, 53
56-62146-21	38, 43, 48, 53
56-62173-00	45, 55
56-62198-01	60
56-62199-01	60
56-62207-00	38, 43, 48, 53

58-00065-27	27
58-00065-49	3
58-00065-85	5, 7, 9, 11, 13, 15, 17, 19, 21, 38, 43, 48, 53
58-00065-86	40, 45, 50, 55
58-00065-87	3
58-00079-00	23
58-00511-08	22
58-00616-03	5, 9, 41
58-00712-17	58, 60
58-00848-00	3
58-00850-00	3, 23
58-00858-00	3
58-01368-00	7, 11, 13, 15, 17, 19, 21
58-62171-00	3

6

62-02913-00	77, 79, 81
62-03797-00	75
62-62001-00	62, 63
62-62007-00	29
62-62037-00	62, 63
62-62038-00	64, 65
62-62039-00	62, 63, 77, 79, 81
62-62039-01	62
62-62040-04	25, 26, 28, 30, 33



INDEX

PART NUMBER	PAGE NUMBER	PART NUMBER	PAGE NUMBER
62-62041-00	59, 61	68-62041-04	6
62-62041-01	59, 61	68-62041-05	6
62-62041-04	4, 8, 10, 12, 14, 16, 18, 20	68-62041-17	7
62-62041-05	4, 8, 11, 12, 14, 16, 18, 20	68-62041-22	7
62-62041-11	23	68-62114-02	40, 50
62-62041-13	25, 26, 29, 33	68-62125-00	5, 7, 17, 19, 21, 29
62-62041-16	23	68-62158-00	40, 45, 50, 55
62-62041-17	9, 15, 19	68-62228-00	62, 63
62-62041-18	9	68-62233-00	63
62-62041-20	23	68-62260-00	58, 60
62-62041-21	25, 26, 29, 33	68-62266-00	40, 50
62-62041-22	13, 15, 19, 25, 29	68-62275-00	27
62-62041-24	25, 26, 29, 31, 34	68-62306-02	40, 45, 50, 56
62-62041-25	25, 26, 28, 31, 34	68-62307-00	40, 45, 50, 55
62-62041-26	23	68-62320-00	5, 7, 9, 11, 13, 15, 17, 19, 21
62-62041-27	23	68-62402-00	5, 7, 17, 19, 21
62-62043-00	26, 28, 31	68-62442-00	25
62-62043-01	25, 33	68-62448-00	28
62-62043-02	26, 28, 31	68-62449-00	29
62-62043-03	25, 33	68-62490-00	28
62-62043-04	26, 28, 30	68-62603-00	26, 30, 33
62-62043-05	25, 33	68-62604-00	26, 30, 33
62-62043-06	26, 28, 30	68-62638-00	45, 55
62-62043-07	25, 33	68-62649-00	45, 55
62-62044-00	25, 26, 31, 34	68G2-9082-1	75, 77, 79, 81
62-62045-00	62, 63	68PD1-1003	75, 77, 79, 81
65-01093-00	38, 43, 48, 53	68PD1-1013	75, 77, 79, 81
66CH1-1212-8	58, 60	68PD1-1092	73
66U1-1214-5	38, 43, 48, 53	68PD1-1102	73
66U1-3041	58, 60	68PD1-313	73
66U1-3803-15	64, 65, 67	68PD1-343	73
66U1-3882	3, 23, 58, 60, 73	68PD2-110-14	73
66U1-5371-7	9	68PD2-110-65	73
68-62038-00	68, 69, 70	68RM35-1004	62
		68RM35-1027P	25



INDEX

PART NUMBER	PAGE NUMBER	PART NUMBER	PAGE NUMBER
68RM35-107P	69, 70, 71	7	
68RM35-1106P	67	73-50006-00	38, 43, 48, 53
68RM35-1133	64	8	
68RM35-1153	68, 69	81-62010-00	48, 53
68RM35-1153-1	68, 69	81-62012-00	38, 43, 48, 53
68RM35-1162-4	40	81-62016-00	58
68RM35-1163-4	62	81-62023-00	38, 43, 48, 53
68RM35-1163-5	62	81-62024-00	40, 45, 50
68RM35-1163-9	63	81-62024-01	55
68RM35-117P	71	81-62025-00	50
68RM35-1303	62, 63	81-62026-00	50
68RM35-1303-1	62	81-62028-00	40
68RM35-168-30	4	81-62029-00	40
68RM35-168-32	10	81-62030-00	38, 43
68RM35-168-35	6	81-62081-00	55
68RM35-168-42	10	81-62082-00	45
68RM35-187P	64, 65	81-62083-00	45
68RM35-433P	66	81-62095-00	55
68RM35-554-1	68, 69	81-62114-00	60
68RM35-878	68, 69	86-62060-00	69
68RM35-898	70	86-62061-00	68
68RM35-898-1	70	86-62068-01	35
68RM40-157	24, 26, 30, 33	86-62209-00	36
68RM40-202-2P	69, 71	9	
68RM40-202-3P	68, 69, 70, 71	91-01173-00	10, 12
68RM45-193	58, 60	91-01173-01	10
68RM55-1076	67	91-01173-02	14
68RM55-1142P	67	91-01173-04	14
68RM55-124P	38, 43, 48, 53	91-01173-05	12
68RM55-209-10	8	91-01173-06	14
68RM55-209-14	6, 10, 12, 14, 16, 18, 20	91-01173-07	16, 20
68RM55-210-11	4, 8	91-01173-08	18
68RM55-210-12	4		



INDEX

PART NUMBER	PAGE NUMBER
91-01173-09	10
91-62009-00	8
99TS1445CK002100	38, 43, 48, 53

A

AC101-203	38, 43, 48, 53
AC101-626	35, 36
AC201-217	11, 17, 21
AC201-244	25, 29, 65
AC201-600	25, 27, 29, 31, 34
AC201-803	29
AC201-901	25, 27, 28, 31, 34
AC201-931	25, 27, 28, 31, 34
AC202-209	25, 29
AC202-210	11, 17, 19, 21
AC202-213	67
AC301-204	11, 17, 21
AC301-236-4	58, 60
AC301-244	58, 60
AC501-120	64

PART NUMBER	PAGE NUMBER
AC501-146	65
AC501-148	68, 71
AC501-152	69, 71
AC701-224	55
AC701-237	11, 17, 21
AC901-580	38, 43, 48, 53
AU02AB202	73

C

CM090-226	82
CM201-968	82
CM983-618	24, 27, 29, 31, 34

D

DD19CA061	38, 40, 43, 45, 48, 50, 53, 55
DE06DA051	58, 60

E

EP23LC090	79
---------------------	----

Every driver deserves the best possible vehicle climate with MCC products

MCC provides exceptional performance in mobile climate comfort.



www.mcc-hvac.com

Member of MCC Group • Certified ISO 9001 and ISO 14001.
Specifications subject to change without notice. MCC is a registered trademark.