



Mobile Climate Control

T-348PL Manual



SERVICE PARTS

for

68AC353-102

MICROMAX

T-348PL

REV. 01/2014



TABLE of CONTENTS

1	INTRODUCTION	iii
2	CONFIGURATION IDENTIFICATION	iii
3	OPTION DESCRIPTION	iii
4	ORDERING INSTRUCTIONS	iv
5	GENERAL NOTES	iv
1	EVAPORATOR HOUSING KITS (All Models) Option 1	1
1.1	Evaporator Housing Kit - Connected	1
1.2	Evaporator Housing Assembly	2
1.2	Evaporator Housing Assembly (Continued)	3
2	EVAPORATOR AIR EXCHANGE KIT : Option 1	4
3	EVAPORATOR BLOWER KITS	5
3.1	Evaporator Blower Kit, (6) Brushless Motors: Option 1	5
3.2	Evaporator Blower Kit, (6) Permanent Magnet Motors: Option 2	6
4	EVAPORATOR COIL KIT - 4 ROW: Option 1	7
5	EVAPORATOR INTERNAL CONNECTION KITS	8
5.1	EVAPORATOR INTERNAL CONNECTION KIT (Long Liquid Line w/Rear Solenoid Valve) : Option 1	8
5.2	EVAPORATOR INTERNAL CONNECTION KIT (Long Liquid Line w/Front Solenoid Valve): Option 2	9
5.3	EVAPORATOR INTERNAL CONNECTION KIT (Long Liquid Line w/Rear Valve W/O In-dash): Option 3	10
6	EVAPORATOR CONNECTION KIT SUCTION/DISCHARGE	11
6.1	Evaporator Connection Kit S/D (Left ORS With Front Box Connection): Option 1	11
6.1	Evaporator Connection Kit S/D (Left ORS With Front Box Connection) (Continued): Option 1	12
6.2	Evaporator Connection Kit S/D (Right ORS): Option 2	13
6.2	Evaporator Connection Kit S/D (Right ORS) (Continued): Option 2	14
6.3	Evaporator Connection Kit S/D (Right ORS): Option 3	15
6.4	Evaporator Connection Kit S/D, (Right ORS Suction Only), Option 4	16
6.4	Evaporator Connection Kit S/D, (Right ORS Suction Only)(Continued): Option 4	17
6.5	Evaporator Connection Kit S/D (Right ORS Liquid and Suction Artic): Option 5	18
6.5	Evaporator Connection Kit S/D(Right ORS Liquid and Suction, Artic)(Continued): Option 5	19
7	Evaporator Connection Kit - Front Box, Right	20
7.1	Evaporator Connection Kit - Front Box, Left: Option 1	20
7.2	Evaporator Connection Kit - Front Box, Right: Option 2	21
7.3	Evaporator Connection Kit - Front Box, Slave: Option 3	22
7.4	Evaporator Connection Kit - Front Box, Center: Option 4	23
7.5	Evaporator Connection Kit - Front Box, Right Lower: Option 5	24
8	EVAPORATOR HEATING KIT (2 ROW): Option 1	25
9	HEATING CONNECTION KITS	26
9.1	Heating Connection Kit - Right - With Solenoid Valve : Option 1	26
9.2	Heating Connection Kit - Left - With Solenoid Valve, 4 Ply Silicone Hose : Options 2 & 3	27
10	EVAPORATOR FILTER KIT (STANDARD): Options 1 & 2	28
11	EVAPORATOR COVER KITS	29
11.1	Evaporator Cover Kit, Standard (R10M) , RAL 9010 White: Option 1	29
11.2	Evaporator Cover Kit, (R10M) ,CUT Valspar White: Option 2	30
11.3	Evaporator Cover Kit, Evaporator Only Unit With Spoiler (R10M) , Valspar White: Option 3	31
11.4	Evaporator Cover Kit, (R10M) , CUT, Aztech, Frost White: Option 4	32
11.5	Evaporator Cover Kit, (R10M) , SEPTA White W/Cut Out: Option 5	33



TABLE of CONTENTS

- 12 EVAPORATOR ELECTRICAL COMPONENTS: COMMON 34
 - 12.1 ELECTRICAL HARNESS CONNECTORS AND TERMINALS: COMMON 35
 - 12.1 ELECTRICAL HARNESS CONNECTORS AND TERMINALS: COMMON (Continued) 36
- 13 ELECTRICAL CONTROL PANELS 37
 - 13.1 GR60 Relay Board - Option 1 (Right) and (Left) 37
 - 13.2 Micromax Relay Board - Option 2 38
 - 13.3 BRUSHLESS SLAVE UNIT: Option 3 39
 - 13.4 MICROMAX RELAY BOARD W/CAN & RRAS THERMISTOR: Option 4 40
 - 13.5 MICROMAX RELAY BOARD W/CAN (NYCTA & TCC): Option 5 41
 - 13.6 MICROMAX RELAY BOARD W/CAN (SEPTA): Option 6 42
 - 13.7 MICROMAX Relay Board w/CAN Data (Right-Drain Plates): Option 7 43
- 14 CONDENSER KIT - SINGLE CIRCUIT (ALL MODELS) 44
- 15 CONDENSER COVER KITS 45
 - 15.1 CONDENSER COVER KIT - Option 1- WHITE (SKINS) 45
 - 15.2 CONDENSER COVER KIT - Option 2- VALSPAR WHITE (SKINS) 46
 - 15.3 CONDENSER COVER KIT - Option 3- VALSPAR FROST WHITE (SKINS) 47
- 16 Condenser Fan Kits 48
 - 16.1 Condenser Fan Kit -4 Brushless Motors: Option 1 48
 - 16.2 Condenser Fan Kit -4 Permanent Magnet Motors: Option 2 49
 - 16.3 Condenser Fan Kit - 6 Brushless Motors: Option 3 50
 - 16.4 Condenser Fan Kit - 6 Permanent Magnet Motors: Option 4 51
- 17 CONDENSER CONNECTION KIT 52
 - 17.1 Condenser Connection Kit - Single Circuit: Options 1,2 & 3 52
- 18 CONDENSER ELECTRICAL KIT 54
 - 18.1 Condenser Electrical Kit, Permanent Magnet Motors (4 or 6 Motors): Option 1 54
 - 18.2 Condenser Electrical Kit -Brushless Motors (4 or 6 Motors): Option 2 55
 - 18.3 Condenser Electrical Kit -Brushless Motors (4 or 6 Motors): Option 3 56
- 19 MICROMATE CONTROL PANEL and HARNESS 57
- 20 CHECK VALVE ASSEMBLIES 58



INTRODUCTION

1 INTRODUCTION

The Mobile Climate Control model 68AC353-102 series units are of lightweight frame construction, designed to be installed on the vehicle roof.

2 CONFIGURATION IDENTIFICATION

Unit identification information is provided on a plate located inside the condenser and evaporator sections. The plate provides the unit model number, the unit serial number and the unit parts identification number (PID). The model number identifies the overall unit configuration while the PID provides information on specific optional equipment and differences in detailed parts.

The following paragraph provides descriptions of the options provided.

3 OPTION DESCRIPTION

Various options may be factory or field equipped to the base unit. These options are listed and described in the following subparagraphs.

3.1 Condenser Cover (Skins)

The condenser section may be fitted with one of two different cover assemblies dependent upon the curvature of the bus roof. The assemblies available are identified as the 10 M radius cover.

3.2 Condenser/Evaporator Electrical Kit

The 68AC353 systems are available with either 24 Volt permanent magnet motors or 24 Volt brushless motors.

3.3 Condenser Refrigerant Kit

The 68AC353 condensers are all fitted with a condenser coil, a receiver with sight glasses and fusible plug, a charge isolation valve and interconnecting tubing.

3.4 Evaporator Cover (Skins)

The evaporator section may be fitted with one of two different cover assemblies dependent upon the curvature of the bus roof. The assemblies available are identified as the 10 M radius cover.

3.5 Evaporator Blower Kit

The 68AC353 evaporator kits are available with either 4 or 6 blowers, with either permanent magnet or brushless motors.

3.6 Evaporator Connection Kit S/D

The evaporator units are assembled to allow orientation of the connections for different mounting arrangements and may be supplied with various refrigerant piping layouts for specific applications.

3.7 Evaporator Connection Kit - Indash

The evaporator units are assembled to allow connections for various refrigerant piping layouts for remote evaporators.

3.8 Evaporator Connection Kit - Heating

The evaporator units are assembled to allow various engine coolant piping layouts for specific heating applications.

3.9 Air Exchange Kit

The unit will be fitted with a fresh air exchange assembly or an air exchange blank off plate. Fresh air exchange assemblies provide 25% air exchange.

3.10 Controller Kit

The Micromax Controller operates the system through one of two relay boards and may be interrogated through the optional CAN +/- Data Communication Link.



4 ORDERING INSTRUCTIONS

All orders and inquiries for parts must include: Unit Serial Number, Part No., PID number, description of part as shown on list and quantity required. Parts can be ordered by going to the following Website:

www.mcc-hvac.com

5 GENERAL NOTES

To find replacement parts, determine major group in which replacement part is located. Consult table of contents for the appropriate page for the illustrated breakdown of the replacement part.

The following letter designations are used to classify parts throughout this list.

A/R *As Required*

NSA *Not Stock Assembly* - Order components listed under the assembly.

NSI *Not Stock Item* - Item may or may not be available. If available, a longer lead time will apply.

NSS *Not Sold Separately* - Order next higher assembly or kit.

P-- *Suffix P--* added to part number means part is available in packaged quantity only.

PL *Purchase Locally.*

SST *Stainless Steel* - 300 Series unless otherwise specified.

SV *Suffix SV* added to part number designates service replacement part.

NS *Not Shown* on illustration.



Table 1-1 Option Legend

OPTION	DESCRIPTION
Condenser Kit	
1	Single Circuit
Condenser Cover/Skins Kit	
1	Standard White (R10M)
2	Nova (Cut) Valspar White (R10M)
3	Nova (Cut) Valspar Frost White (R10M)
Condenser Electrical Kit	
1	Condenser Electrical Kit - PM Motors
2	Condenser Electrical Kit - Brushless Motors
3	Condenser Electrical Kit - Brushless w/WP
Condenser Fan Kit	
1	24 Volt With 4 Brushless Motors
2	24 Volt With 4 PM Motors
3	24 Volt With 6 Brushless Motors
4	24 Volt With 6 PM Motors
Condenser Connection Kit	
1	Single Circuit- 3 Valves Pre-charged
2	Single Circuit- 3 Valves- Pre-charged (Used with RF353 Evap) (ADDA)
3	Single Circuit- 3 Valves Pre-charged (with moisture indicator)
Evaporator Cover Kit	
1	Standard Cover (R10M)
2	Cover (R10M) Cut
3	Cover (R10M) With Spoiler
4	Cover (R10M) Cut, Frost White
5	Cover (R10M) Cut (SEPTA)
Evaporator Blower Kit	
1	24 Volt With 6 Brushless Motors
2	24 Volt With 6 Permanent Magnet Motors
Evaporator Coil Kit	
1	4 Row Coil Refrigeration Kit

OPTION	DESCRIPTION
Evaporator Internal Connection Kit	
1	Long w/Front Solenoid Valve w/In-Dash
2	Long w/Rear Solenoid Valve w/In-Dash
Evaporator Connection Kit S/D	
1	Left - ORS
2	Right - ORS
3	Right - ORS With Out Front Box Connection
4	Right - ORS Suction Only
Evaporator Connection Kit - Indash	
1	Right
2	Left
3	Left - Slave
Heating Connection Kit	
1	Right W/ Solenoid Valve
2	Left W/ Solenoid Valve and 4 Ply Silicone Hose
3	Left - W/ Solenoid Valve & 4 Ply Silicone Hose (No Front Box Refrigerant Connector)
Air Exchange	
1	25%
Controller Kit	
1	Micromax With GR60 Relay Board (Right & Left)
2	Micromax Relay Board W/O CAN DATA
3	Brushless Slave Unit
4	Micromax Relay Board With CAN DATA & RRAS
5	Micromax Relay Board With CAN DATA (NYCTA & TCC)
6	Micromax Relay Board With CAN DATA (SEPTA)
7	Micromax Relay Board With CAN DATA (Right Drain Plates)



Table 1-2 Option Table

MODEL 68AC353	PID Condenser AC353C	PID Evaporator AC353E	Condenser Kit	Condenser Skins Kit	Condenser Electrical Kit	Condenser Fan Kit	Condenser Connection Kit	Evaporator Blower Kit	Evaporator Connection Kit S/D	Evaporator Connection Kit In Dash	Evaporator Coil Kit	Evaporator Internal Connection Kit	Heating Kit	Heating Connection Kit
-102	00001	00001	1	1	1	2	3	2	1	2	1	2	1	1
-102-1	00002	00002	1	1	2	1	1	1	1	2	1	2	1	1
-102-2	00003	00003	1	2	2	3	3	1	2	1	1	2	1	2
-102-3	00004	00004	1	2	2	3	3	1	5	1	1	1	1	2
-102-4	00005	00005	1	2	1	2	3	2	2	1	1	2	1	2
-102-5	00006	00006	1	2	1	4	3	2	5	1	1	2	1	2
-102-6	00007	00007	1	2	2	1	3	1	2	1	1	1	1	2
-102-7	00008	00008	1	2	2	1	3	1	2	1	1	2	1	2
-102-8	-	00009	-	-	-	-	-	1	4	3	1	3	1	2
-102-9	00010	00010	1	2	1	4	3	2	3	5	1	2	-	-
-102-10	00011	-	1	2	3	3	2	-	-	-	-	-	-	-
-102-11	00012	00012	1	3	1	2	3	2	2	-	1	2	1	2
-102-12	00013	00013	1	2	2	1	3	1	2	4	1	1	1	3
-102-13	00014	00014	1	2	2	3	3	1	5	1	1	1	1	2

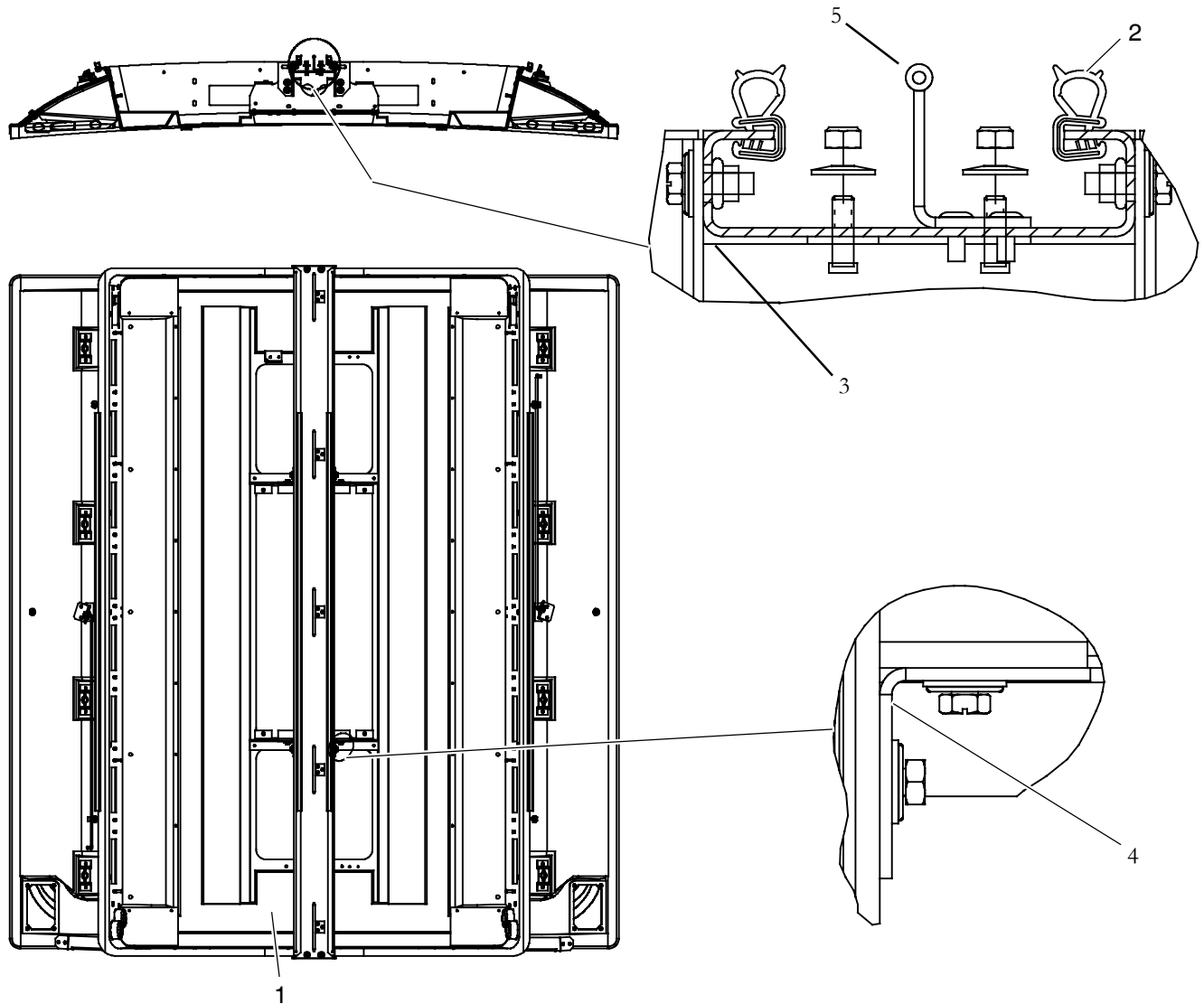
Table 1-2 Option Table (Continued)

MODEL 68AC353	PID Condenser AC353C	PID Evaporator AC353E	Air Exchange Kit	Air Filter Kit	Evaporator Cover Kit	Electrical Control Panels
-102	00001	00001	1	2	1	1
-102-1	00002	00002	1	1	1	7
-102-2	00003	00003	1	2	2	2
-102-3	00004	00004	1	2	2	5
-102-4	00005	00005	1	2	2	1
-102-5	00006	00006	1	2	2	1
-102-6	00007	00007	1	2	2	4
-102-7	00008	00008	1	2	2	2
-102-8	-	00009	1	2	3	3
-102-9	00010	00010	1	2	2	1
-102-10	00011	-	-	-	-	-
-102-11	00012	00012	1	2	4	1
-102-12	00013	00013	1	2	5	6
-102-13	00014	00014	1	2	2	5



1 EVAPORATOR HOUSING KITS (All Models) Option 1

1.1 Evaporator Housing Kit - Connected



NOTE: REF: Kit 77-00318-01 Refers to Evaporator Only Model with Spoiler Bracket. Spoiler Brackets are NOT Considered Replacement Parts

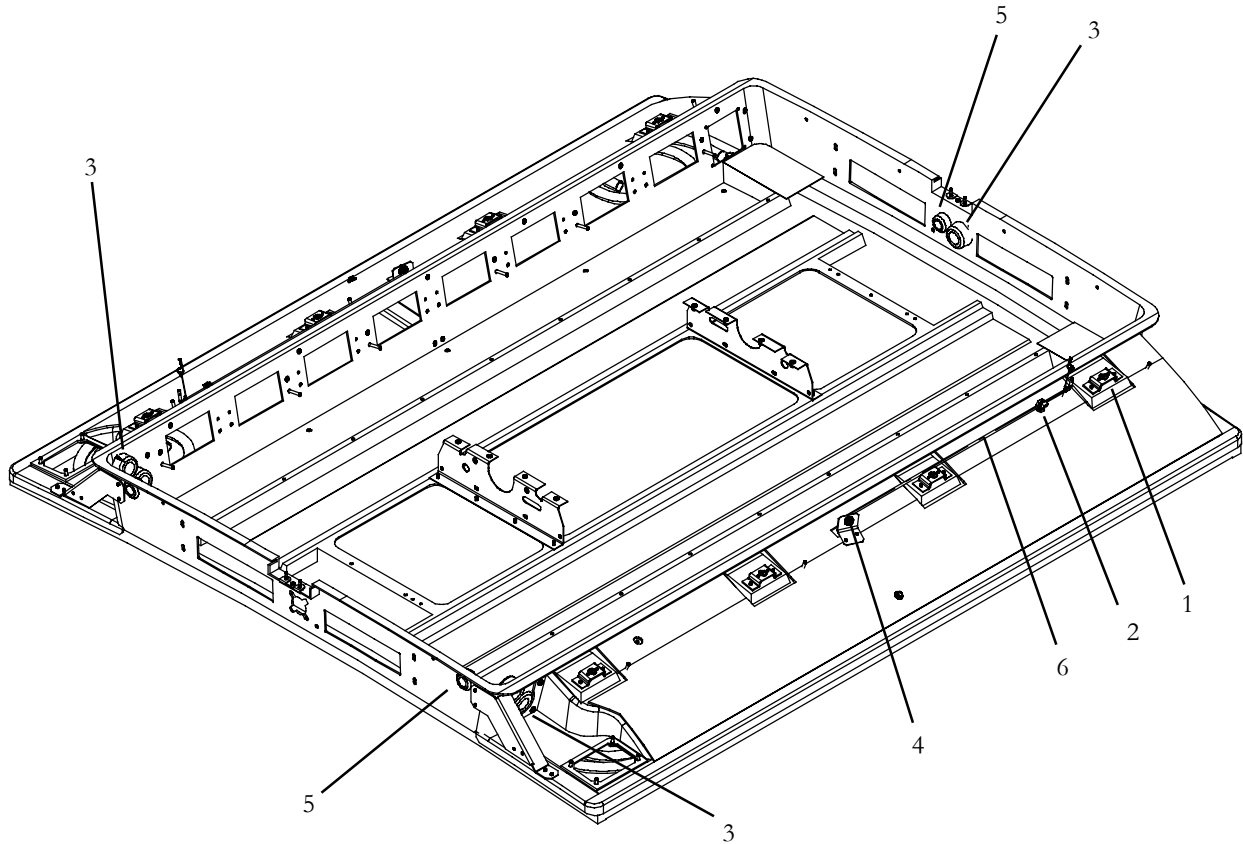
REF: 77-00318-00

REF: 77-00318-01

Item	Part Number	Description	Qty
1	NSI	Housing Assembly, Evaporator, See Section 1.2	1
2	42-67040-01	Gasket	2
3	02-62001-01	Sealant, Adhesive Caulk, White	A/R
4	Y24-00019	Bracket, Control Panel Support	4
5	86-67036-00	Hinge, Double Pin	5



1.2 Evaporator Housing Assembly

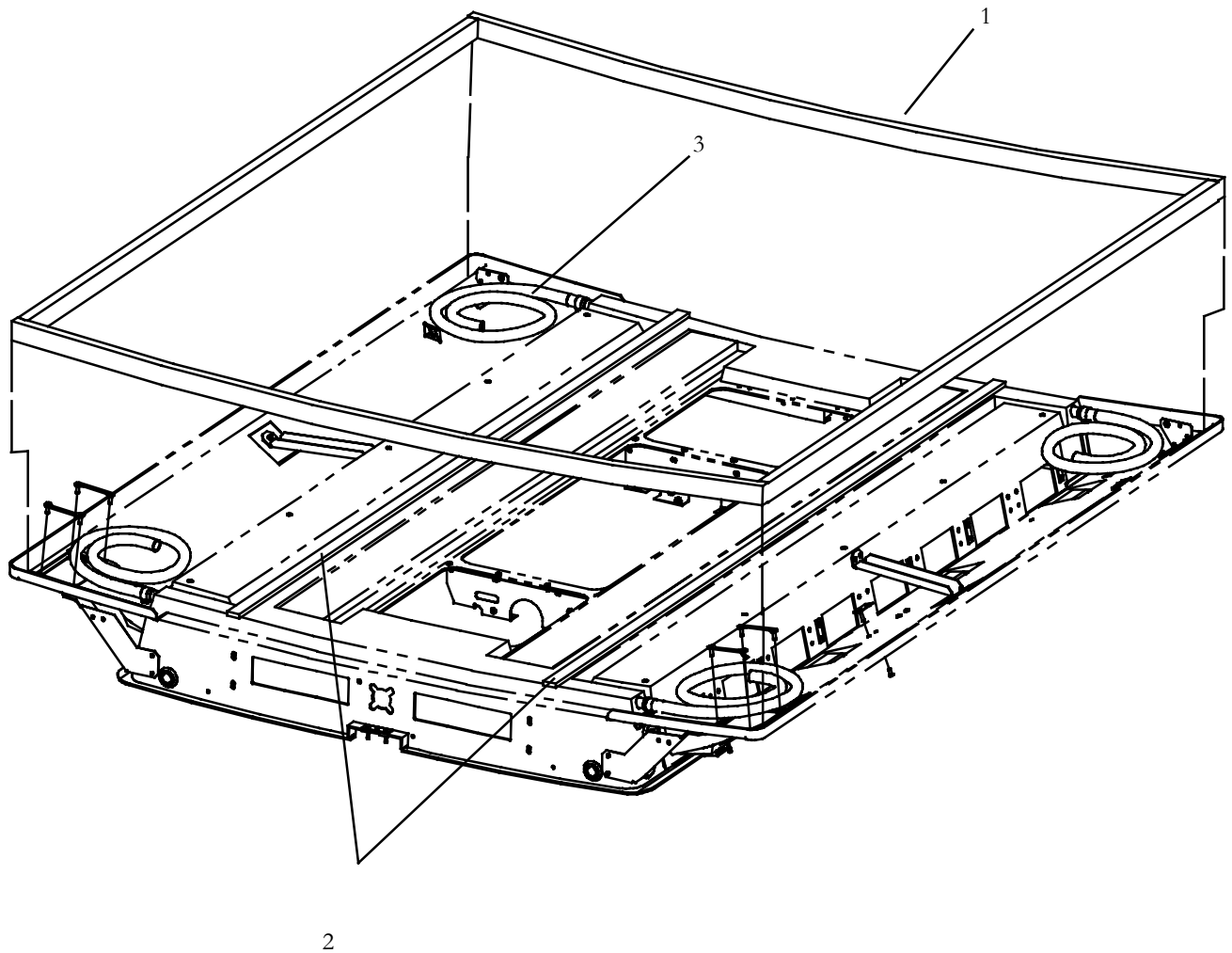


REF: 79-62144-01

Item	Part Number	Description	Qty
1	34-67022-00	Receptacle, Locking Plate	8
2	44-67014-00	Clip, Prop Rod	2
3	58-60298-05	Grommet, 1.89" (48.01) ID x 1.38" (35.05) thru ID x 0.16" G	5
4	58-60302-01	Grommet, DG9	2
5	58-60298-04	Grommet, 1.50" (38.1) ID x 1.02" (25.91) thru ID x 0.16" G	3
6	Y24-00056-00	Prop Rod	2



1.2 Evaporator Housing Assembly (Continued)

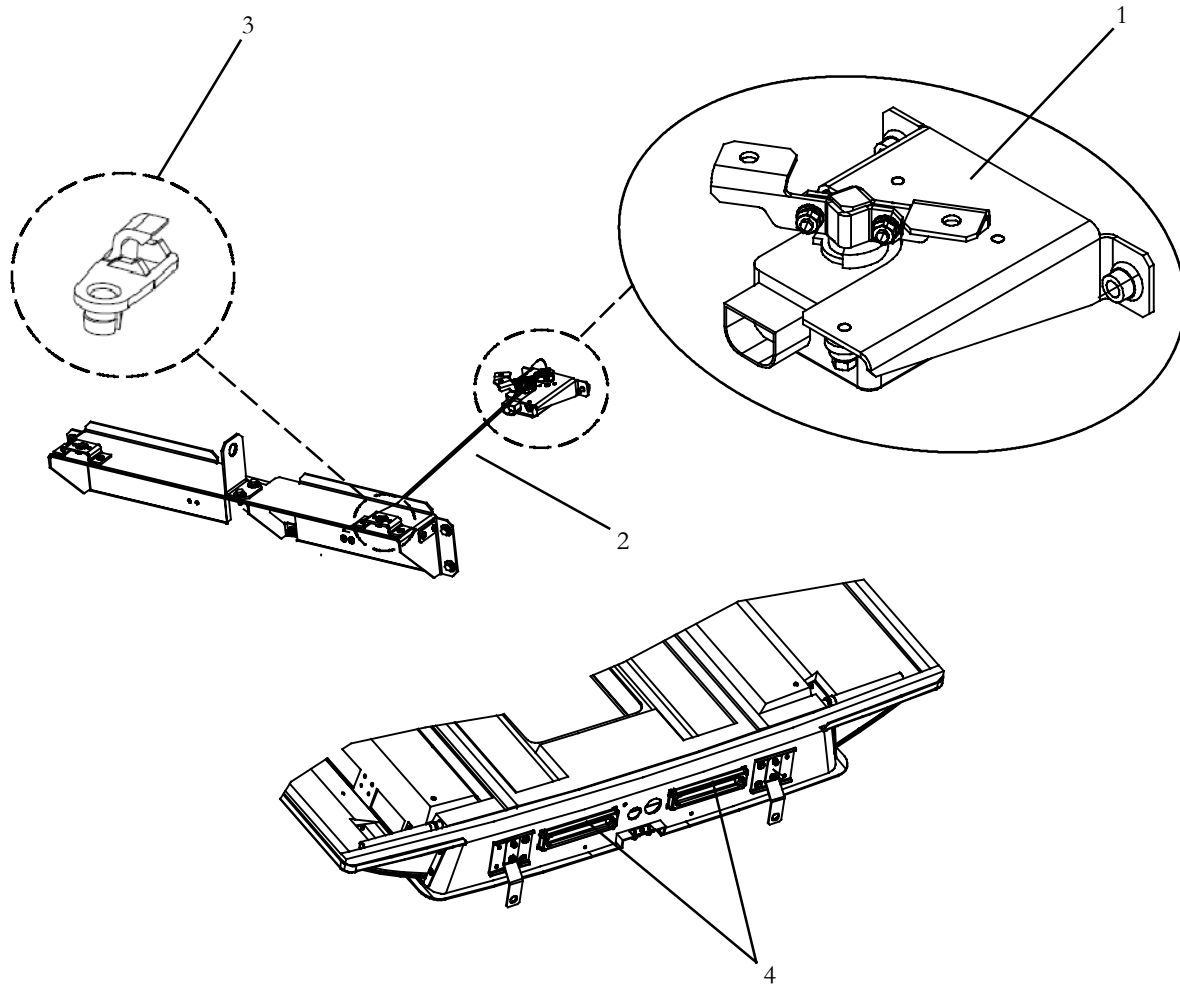


REF: 79-62144-01

Item	Part Number	Description	Qty
-	NSI	Housing Assembly - Includes:	1
1	42-67021-01	Gasket, Base Assembly	1
2	42-67009-06	Gasket	2
3	58-67076-02	Drain Hose	A/R



2 EVAPORATOR AIR EXCHANGE KIT : Option 1



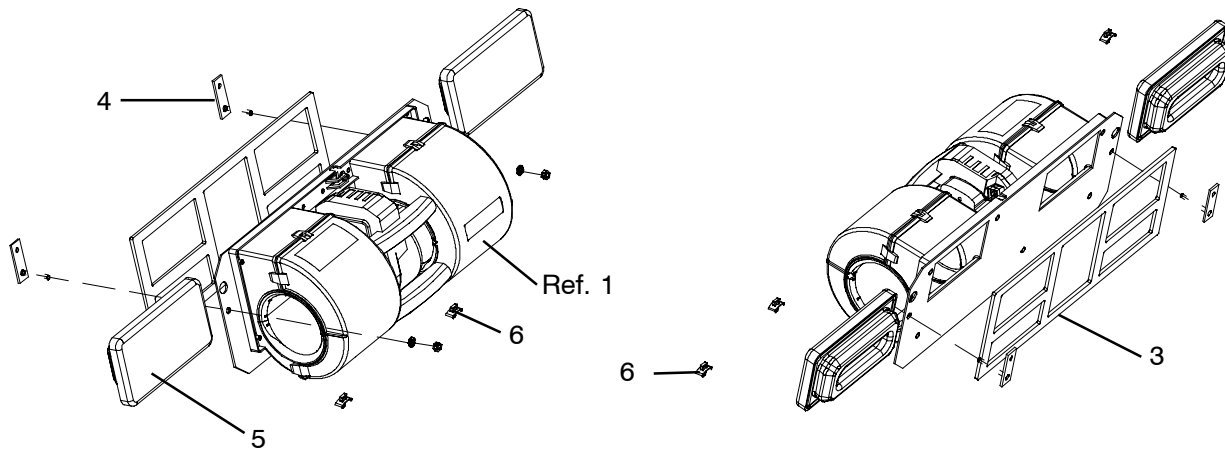
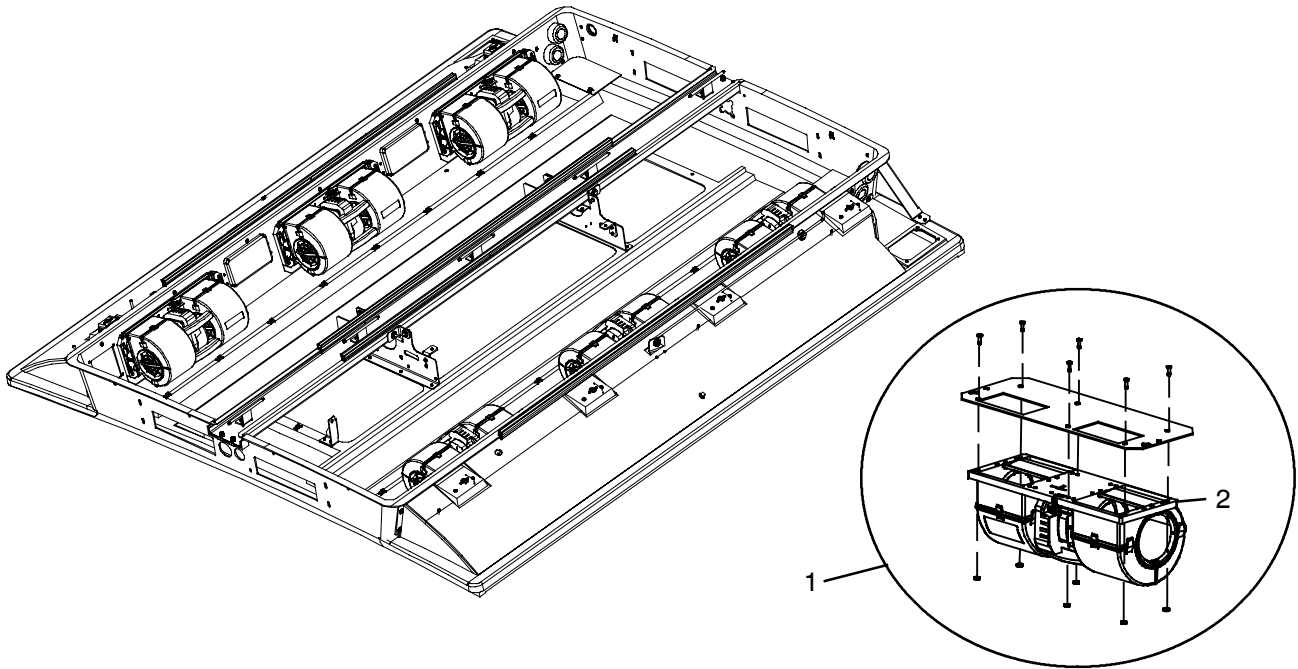
REF: 77-62276-02

Item	Part Number	Description	Qty
1	79-67073-00	Motor Assembly	1
2	73-67008-00	Rod, Linkage	1
3	44-67008-00	Clip, Flap	2
4	58-67062-00	Gasket, Air Inlet	2



3 EVAPORATOR BLOWER KITS

3.1 Evaporator Blower Kit, (6) Brushless Motors: Option 1

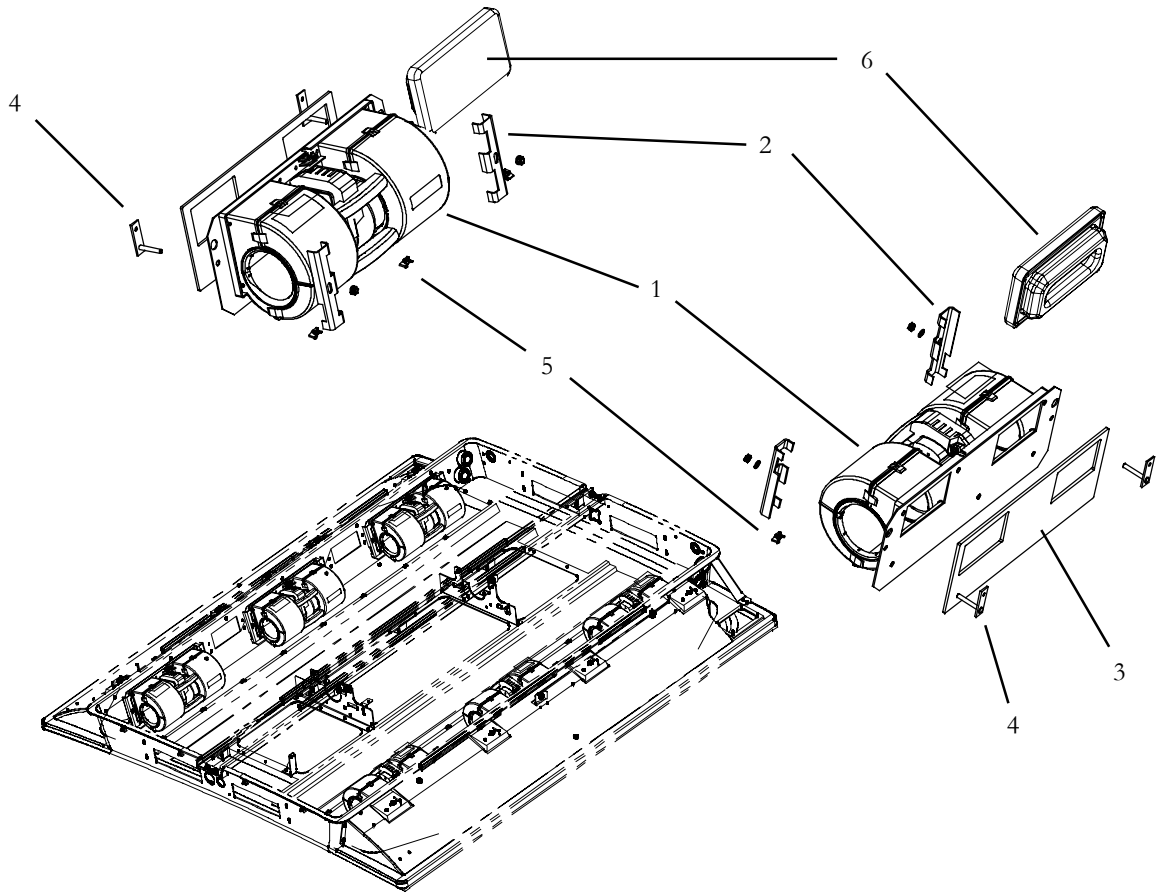


Kit 77-62256-01 E

Item	Part Number	Description	Qty
1	NSI	Blower/Motor Assembly, Brushless With Plate, 24VDC - Includes:	6
2	54-00627-02	Blower Assembly, 24VDC 3830 RPM	1
3	42-62161-00	Gasket, Blower/Motor Assembly, Adhesive Backed	6
4	67-67013-00	Support Assembly, Blower, 2.5mm Thick, Aluminum.	12
5	58-67062-01	Gasket, Blower Opening	4
6	58-04315-00	Base, Mounting, 0.250 Diameter Mounting. Hole, Nylon	23



3.2 Evaporator Blower Kit, (6) Permanent Magnet Motors: Option 2

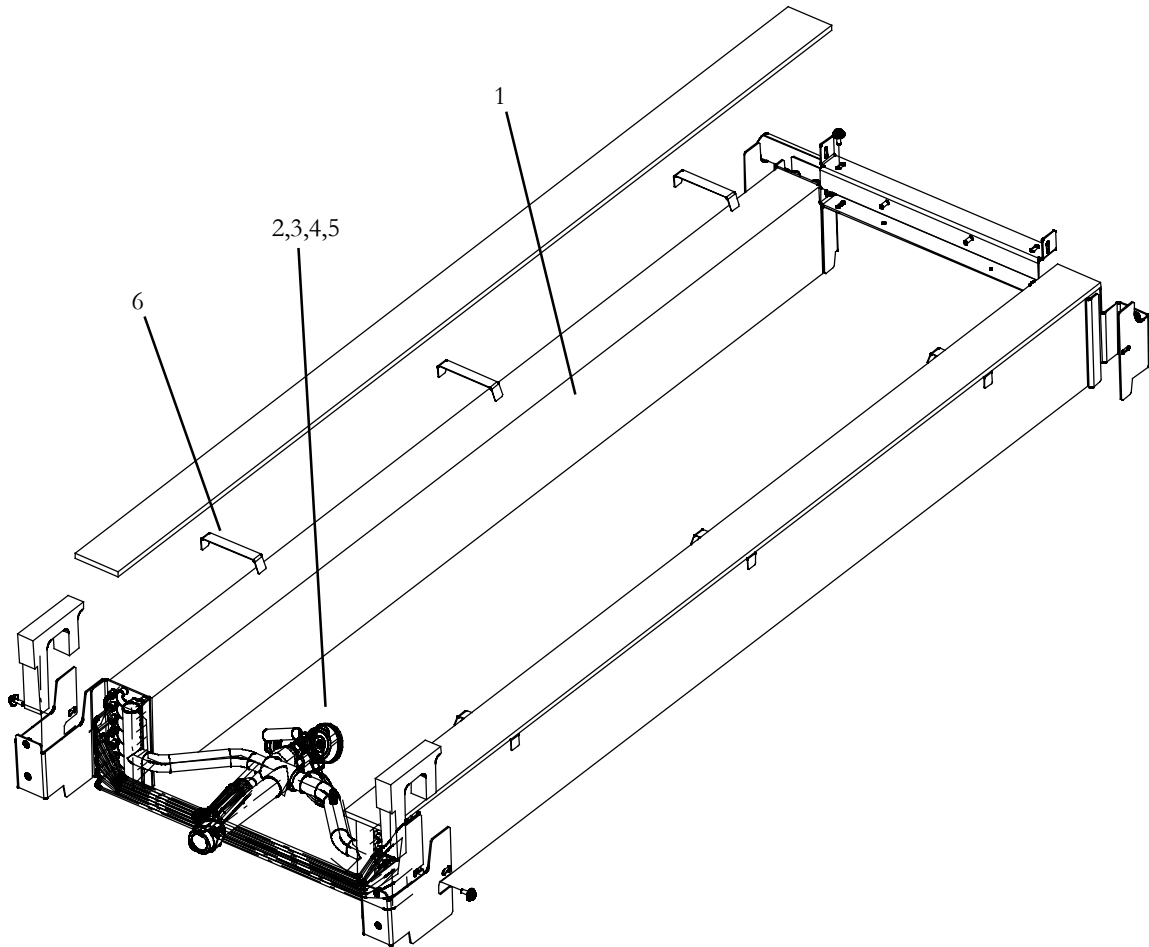


REF: 77-62256-09E

Item	Part Number	Description	Qty
1	15-15032	Blower/Motor Assembly, Permanent Magnet, 24VDC	6
2	68-62967-00	Bracket, Blower Mounting	12
3	Y38-00012-01	Gasket, Blower/Motor Assembly, Adhesive Backed	6
4	67-67013-00	Support Assembly, Blower, M6 SST, Standard	4
5	58-04315-00	Base, Mounting, 0.25" (6.35) DIA MTG Holes	18
6	58-67062-01	Gasket, Blower Opening	4



4 EVAPORATOR COIL KIT - 4 ROW: Option 1



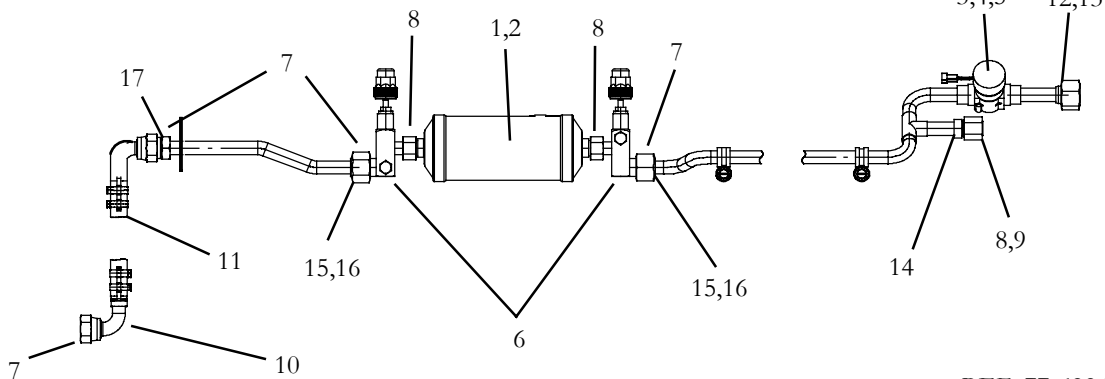
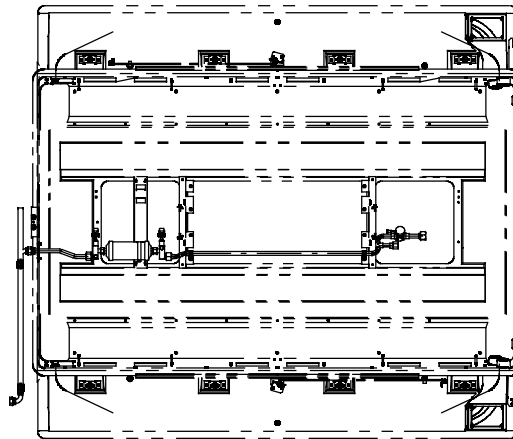
REF: 77-00324-00

Item	Part Number	Description	Qty
1	08-67022-00	Coil Assembly, Evaporator, 4 Rows (Both Coils w/Common Header)	1
2	Y26-00033-03	Valve Assembly, TXV (TGEN 12)	1
3	42-00032-00	Insulation, Prestite (Reference Only)	1
4	42-00243-03	O-Ring, .614" (15.6) ID x 0.07" (1.78) THK, Neoprene	1
5	42-00243-11	O-Ring, .739" (18.77) I.D. X .07" (1.78) THK	1
6	68-67260-01	Bracket, Filter	6



5 EVAPORATOR INTERNAL CONNECTION KITS

5.1 EVAPORATOR INTERNAL CONNECTION KIT (Long Liquid Line w/Rear Solenoid Valve and In-dash) : Option 1

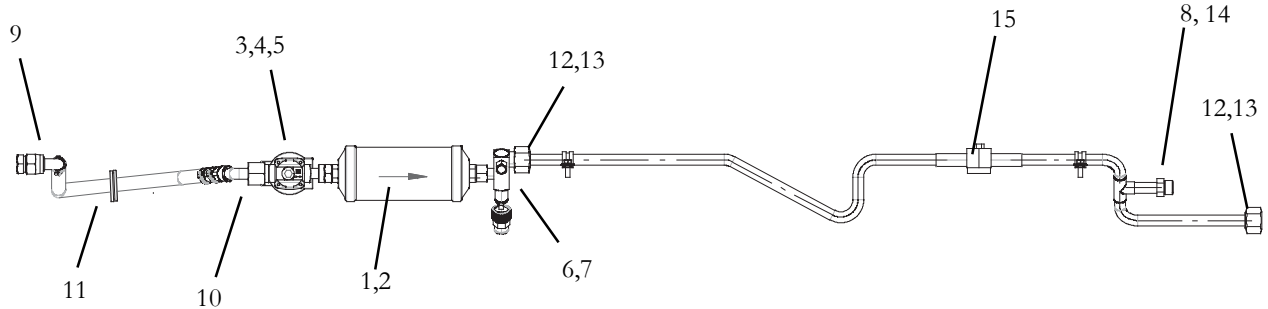
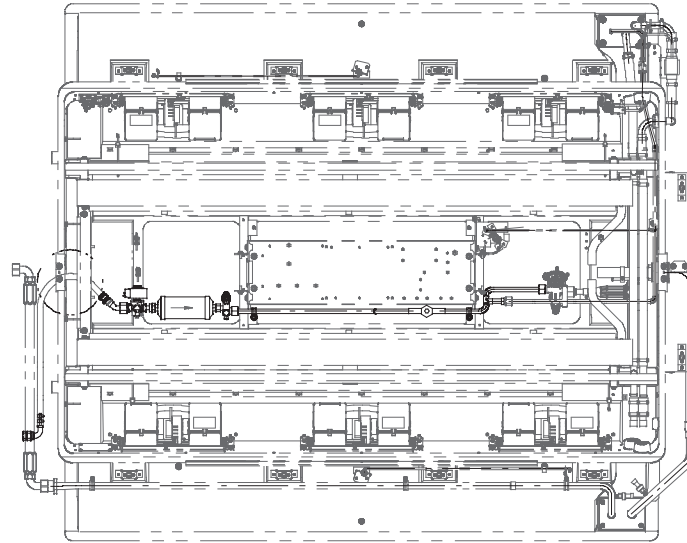


REF: 77-62264-09F

Item	Part Number	Description	Qty
1	14-00326-05	Drier, Filter, 1/2 ORS - Includes:	1
2	42-00243-04	O-Ring, 0.489" (12.4) ID x 0.070" (1.78) Thick, Neoprene	2
3	14-00236-00	Valve, Solenoid, 1/2 ORFS Outlet x 5/8 ORFS Inlet, Brass - Includes:	1
4	14-00236-51	Repair Kit, Valve	1
5	14-00236-50	Coil, Solenoid, 24VDC	1
6	14-00343-01	Valve, Service, 1/2 ORSF Inlet x 5/8 ORSF Outlet	2
7	42-00243-03	O-Ring, .614" (15.6) ID x 0.07" (1.78) THK, Neoprene	4
8	42-00243-04	O-Ring, 0.489" (12.4) ID x 0.07" (1.78) Thick, Neoprene	3
9	40-60010-03	ORS Female Plug	1
10	40-64094-50	Fitting Kit, 90° #10 Female ORS x #10 Flexklik Hose	2
11	58-64105-02	#10 Flexklik Hose	A/R
12	40-60008-04	Shoulder, ORS #10 X 5/8" OD Tube	1
13	40-60009-04	Hex Nut, ORS #10 X 5/8" OD Tube	1
14	40-60145-00	Fitting, ORFS Solder X 13/16" - 16	1
15	40-00503-03	Collar, Solder Brass	2
16	40-60009-04	Swivel Nut	2
17	40-00491-09	Fitting, ORS Solder X 1" - 14	1



**5.2 EVAPORATOR INTERNAL CONNECTION KIT (Long Liquid Line w/Front Solenoid Valve and In-dash):
Option 2**

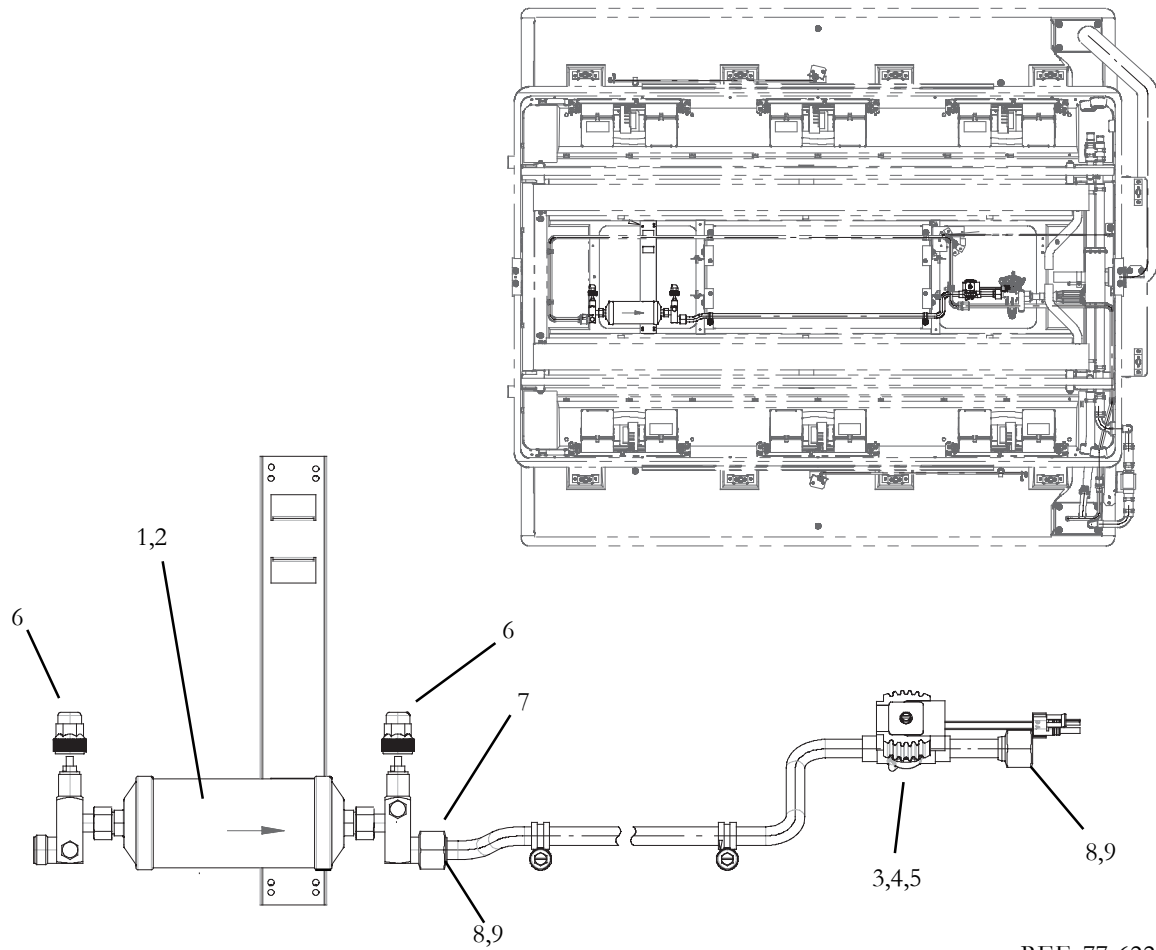


REF: 77-62264-12F

Item	Part Number	Description	Qty
1	14-00326-05	Drier, Filter, 1/2 ORS - Includes:	1
2	42-00243-04	O-Ring, 0.489" (12.4) ID x 0.070" (1.78) Thick, Neoprene	3
3	14-00246-01	Valve, Solenoid, 1/2 ORFS Outlet x 5/8 ORFS Inlet, Brass - Includes:	1
4	14-00246-10	Repair Kit, Valve	1
5	22-60268-02	Coil, Solenoid, 24VDC	1
6	14-00343-01	Valve, Service, 1/2 ORSF Inlet x 5/8 ORSF Outlet	2
7	42-00243-03	O-Ring, 0.614 ID x 0.07" THK	1
8	40-60019-04	ORS Plug, 13/16" - 16	1
9	40-64094-50	Fitting Kit, 90° #10 Female ORS x #10 Flexklik Hose	1
10	40-62151-52	Fitting Kit, 45° #10 Female ORS x #10 Flexklik Hose	1
11	58-64105-02	#10 Flexklik Hose	Δ/R
12	40-00503-03	Collar, Solder Brass	2
13	40-60009-04	Swivel Nut	2
14	40-60145-00	Fitting, ORFS Solder X 13/16" - 16	1
15	14-00026-04	Sight glass, Moisture Indicator	1



5.3 EVAPORATOR INTERNAL CONNECTION KIT (Long Liquid Line w/Rear Solenoid Valve and W/O In-dash): Option 3



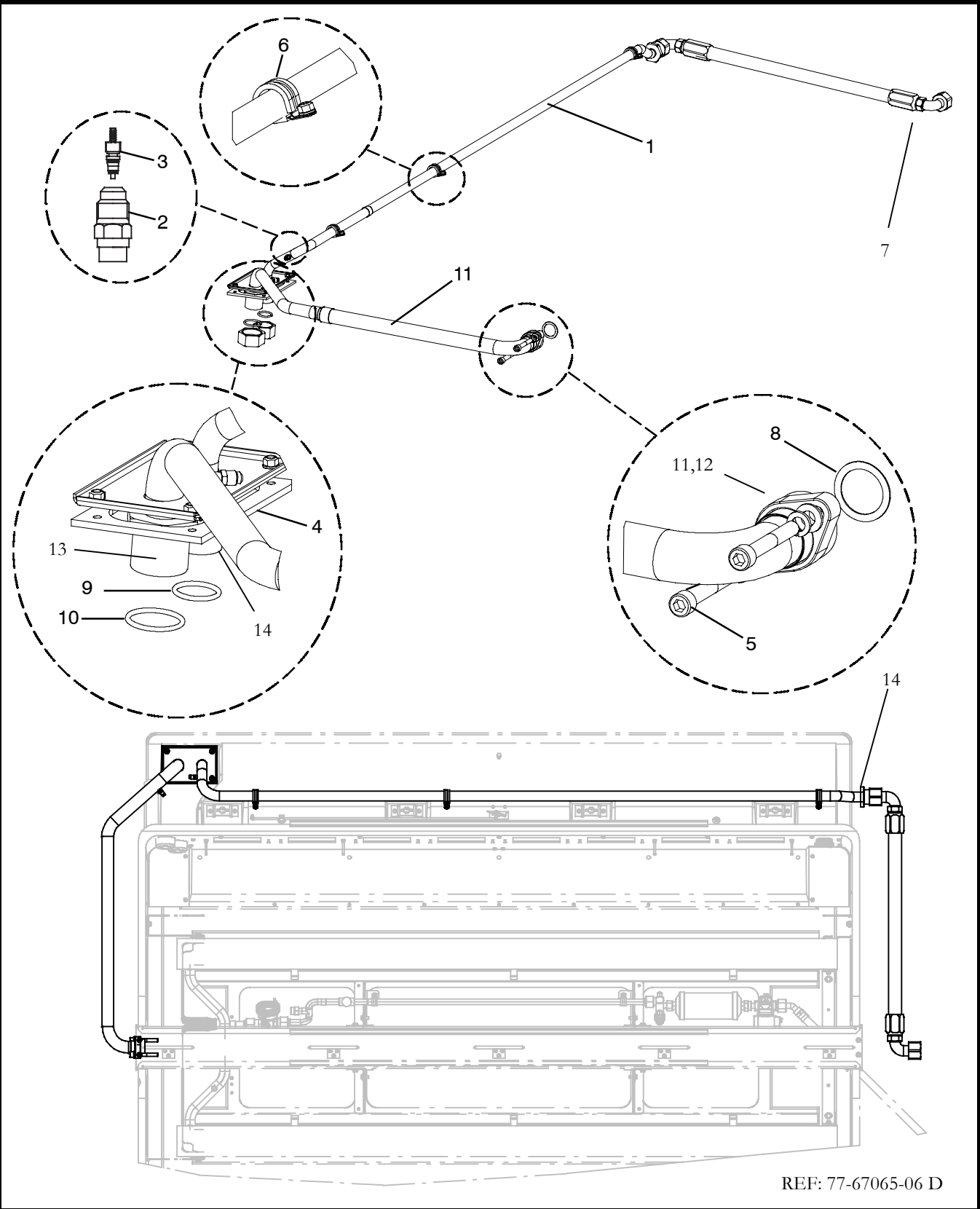
REF: 77-62264-13F

Item	Part Number	Description	Qty
1	14-00326-05	Drier, Filter, 1/2 ORS - Includes:	1
2	42-00243-04	O-Ring, 0.489" (12.4) ID x 0.070" (1.78) Thick, Neoprene	2
3	14-00236-00	Valve, Solenoid, 1/2 ORFS Outlet x 5/8 ORFS Inlet, Brass	1
4	14-00236-51	Repair Kit, Valve	1
5	14-00236-50	Coil, Solenoid, 24VDC	1
6	14-00343-01	Valve, Service, 1/2 ORSF Inlet x 5/8 ORSF Outlet	2
7	42-00243-03	O-Ring, .614" (15.6) ID x 0.07" (1.78) THK, Neoprene	1
8	40-60008-04	Shoulder, ORS #10 X 5/8" OD Tube	1
9	40-60009-04	Hex Nut, ORS #10 X 5/8" OD Tube	1



6 EVAPORATOR CONNECTION KIT SUCTION/DISCHARGE

6.1 Evaporator Connection Kit S/D (Left ORS With Front Box Connection): Option 1



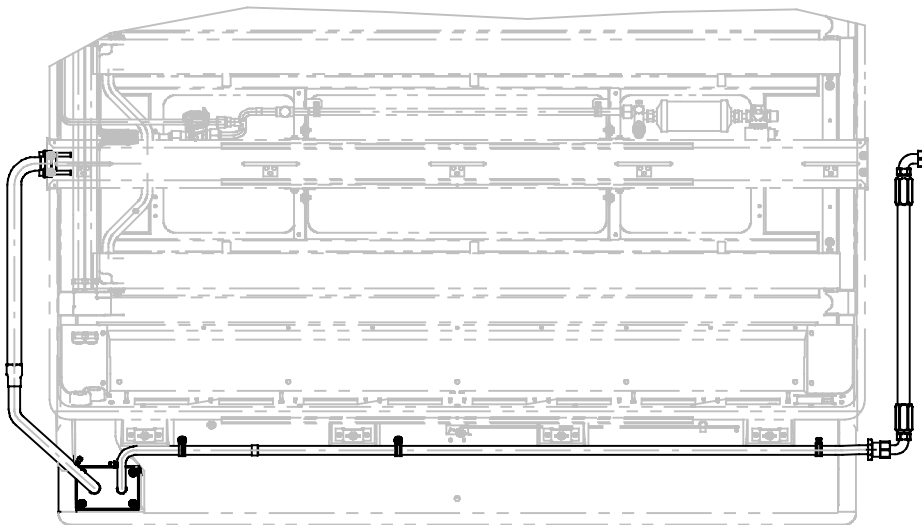
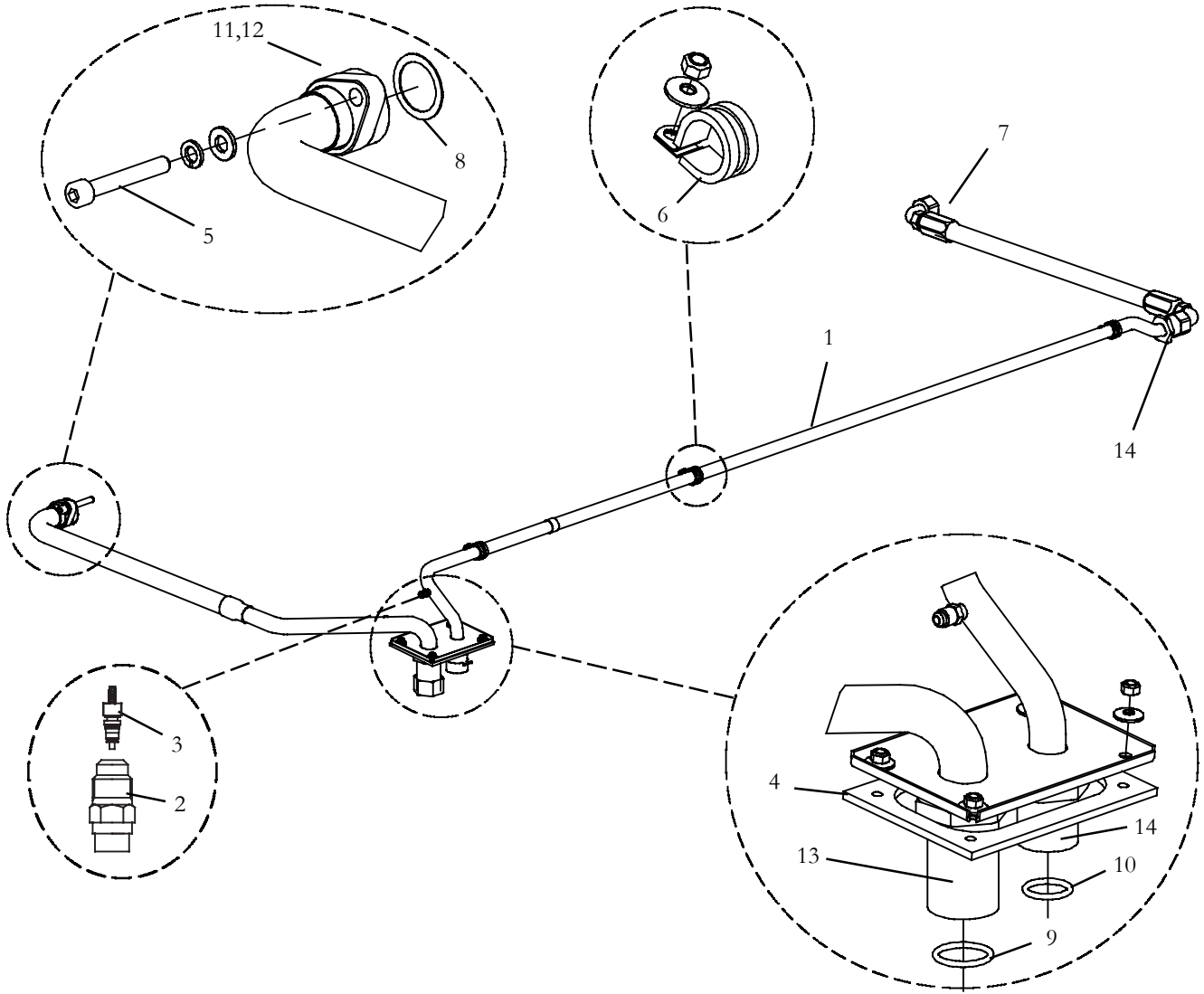
REF: 77-67065-06 D



6.1 Evaporator Connection Kit S/D (Left ORS With Front Box Connection) (Continued): Option 1			
Item	Part Number	Description	Qty
1	NSI	Tube Assembly, Left ORSF - Includes:	1
2	40-60159-01	Fitting Assembly, Valve, Schrader, 1/4 Flare, Brass - Includes:	3
3	14-00351-00	Core, Valve, Access (Nickel Plated)	1
4	02-62001-00	Sealant, Black Adhesive Caulk	1
5	34-06062-70	Screw, Cap, Socket Head, M10 x 70mm Long, SST	2
6	34-00373-61	Clamp, Tube, 0.88 Diameter, Cushion, SST	3
7	40-60021-06	Fitting, Hose, 90° ORS - #16 Hose	2
8	42-67043-00	Gasket, 42 x 32 x 1	1
9	42-00243-01	O-Ring, 1.19 ID x 1.44 OD, Neoprene	1
10	42-00243-00	O-Ring, 0.94 ID x 1.19 OD, Neoprene	2
11	40-67004-00	Fitting, Solder 1 3/8" x ORS	1
12	40-00590-03	Flange, w/11 MM DIA Holes	1
13	40-00491-03	Fitting, ORS, Solder x 1 11/16" - 12	1
14	40-00491-00	Fitting, ORS, Solder x 1 7/16" - 12	2



6.2 Evaporator Connection Kit S/D (Right ORS): Option 2



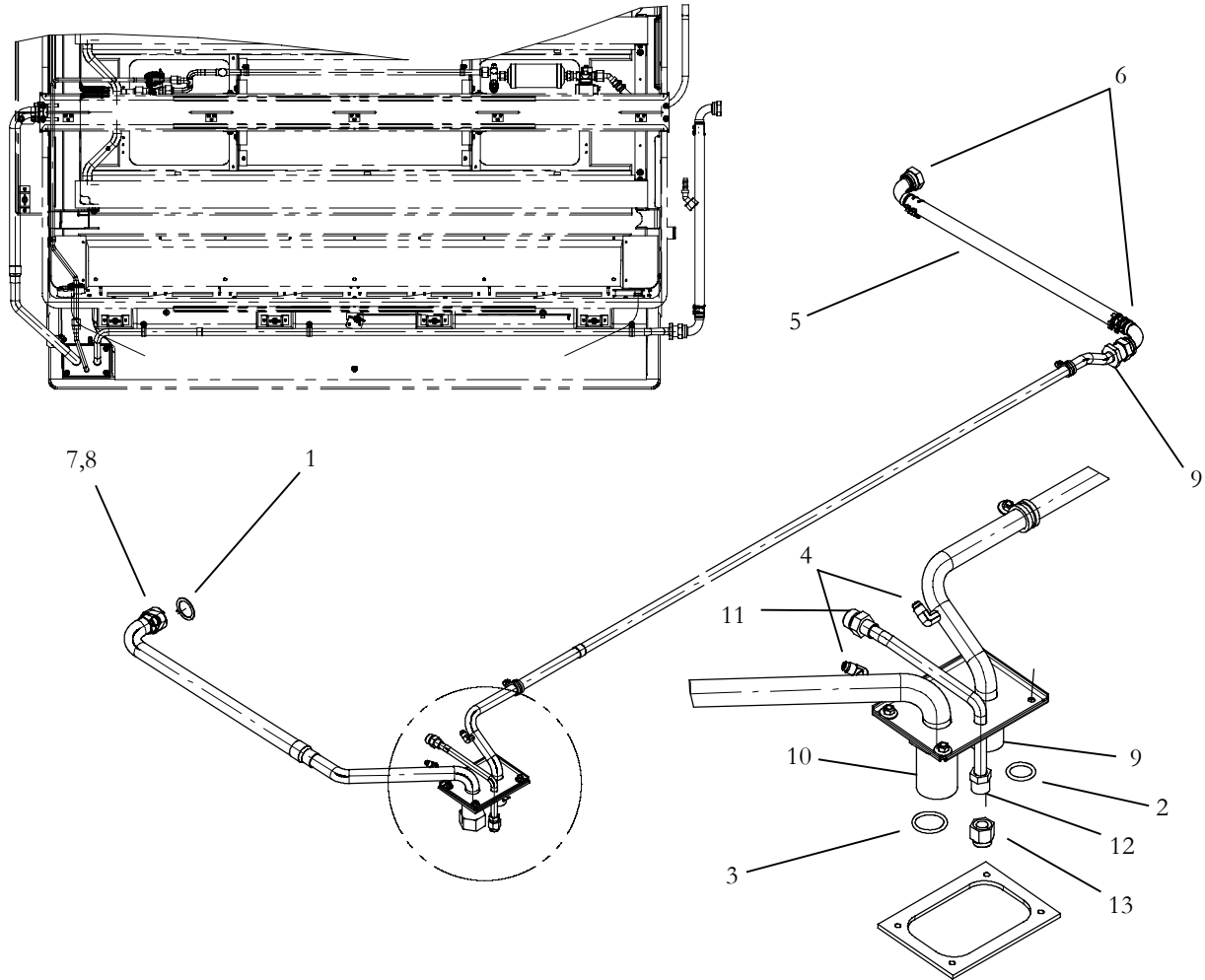
REF: 77-62245-00 E



6.2 Evaporator Connection Kit S/D (Right ORS) (Continued): Option 2			
Item	Part Number	Description	Qty
1	NSI	Tube Assembly, Left ORSF - Includes:	1
2	40-60159-01	Fitting Assembly, Valve, Schrader, 1/4 Flare, Brass - Includes:	3
3	14-00351-00	Core, Valve, Access (Nickel Plated)	1
4	02-62001-00	Sealant, Black Adhesive Caulk	1
5	34-06062-70	Screw, Cap, Socket Head, M10 x 70mm Long, SST	2
6	34-00373-61	Clamp, Tube, 0.88 Diameter, Cushion, SST	3
7	40-64094-59	Fitting Kit, #16 FORS x #16 Hose FLX	2
8	42-67043-00	Gasket, 42 x 32 x 1	1
9	42-00243-01	O-Ring, 1.19 ID x 1.44 OD, Neoprene	1
10	42-00243-00	O-Ring, 0.94 ID x 1.19 OD, Neoprene	2
11	40-67004-00	Fitting, Solder 1 3/8" x ORS	1
12	40-00590-03	Flange, w/11 MM DIA Holes	1
13	40-00491-03	Fitting, ORS, Solder x 1 11/16" - 12	1
14	40-00491-00	Fitting, ORS, Solder x 1 7/16" - 12	2



6.3 Evaporator Connection Kit S/D (Right ORS): Option 3

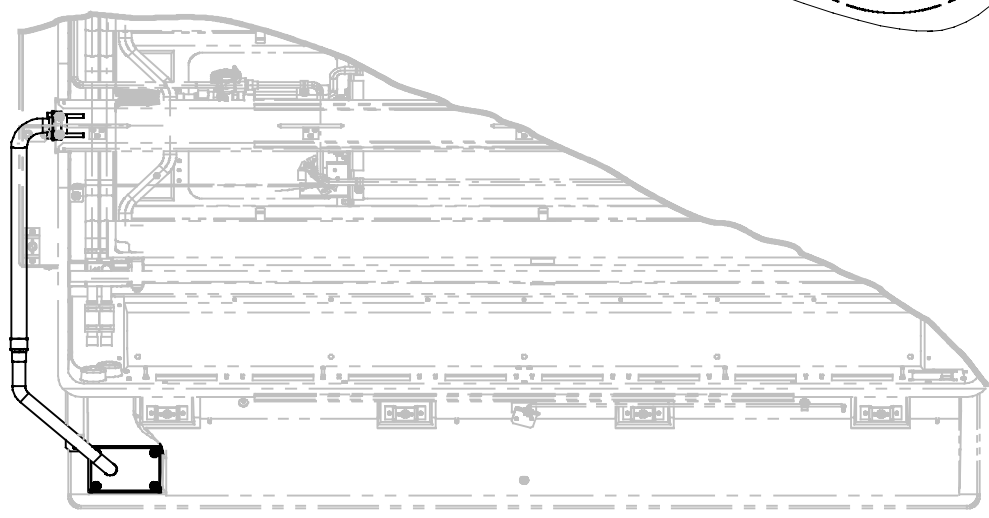
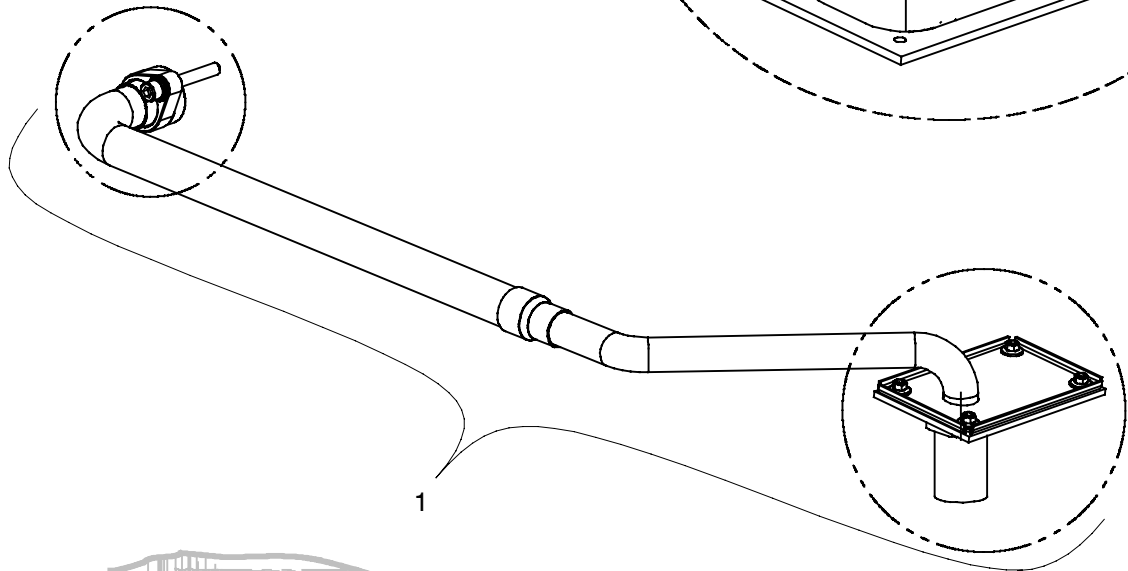
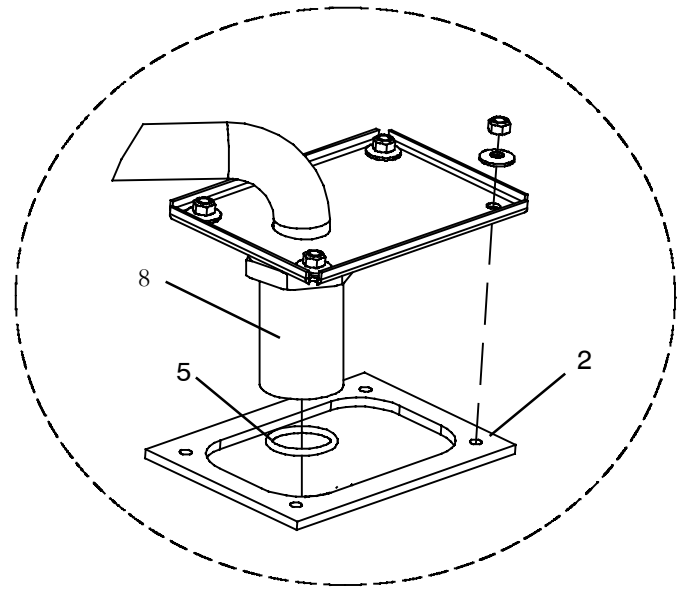
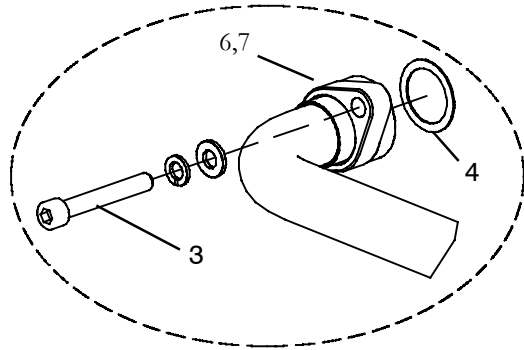


REF: 77-62245-02 E

Item	Part Number	Description	Qty
1	42-67043-00	Gasket	1
2	42-00243-01	O-Ring, 1.19" (30.23) ID x 1.44" (36.58) OD	1
3	42-00243-00	O-Ring, 0.94" (23.88) ID x 1.19" (30.23) OD	1
4	14-00351-00	Core, Valve, Access (Nickel Plated)	2
5	58-64105-04	Hose, Refrig. #16 Flexklik	A/R
6	40-64094-59	Fitting Kit, 90° Female #16ORS x #16 Flexklik Hose	2
7	40-67004-00	Fitting, Solder 1 3/8" x ORS	1
8	40-00590-03	Flange, w/11 MM DIA Holes	1
9	40-00491-00	Fitting, Solder 1 7/16" -12	2
10	40-00491-03	Fitting, Solder 1 11/16" -12	1
11	40-60007-03	Fitting, Solder ORFS	1
12	40-62032-02	Nut, Swivel Fitting, Male Insert O-Ring	1
13	40-62129-00	Fitting Plug, Female #8 Block-off	1



6.4 Evaporator Connection Kit S/D, (Right ORS Suction Only), Option 4



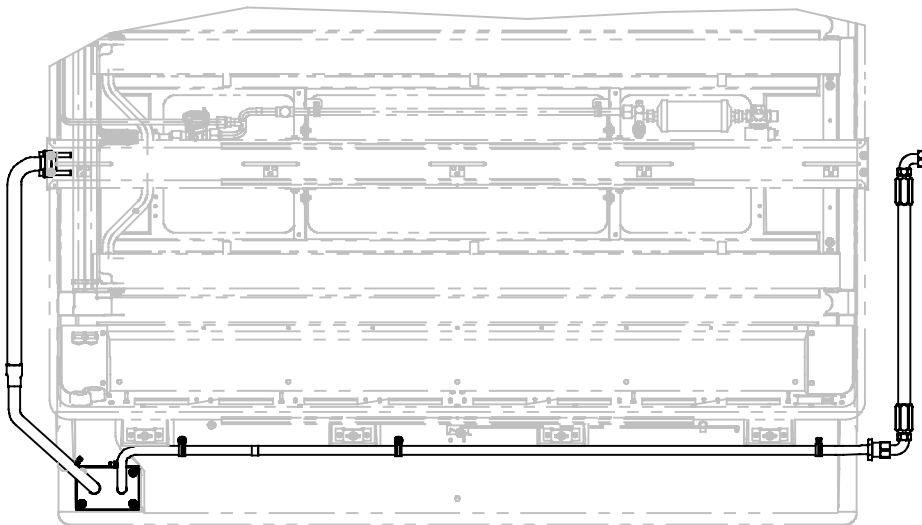
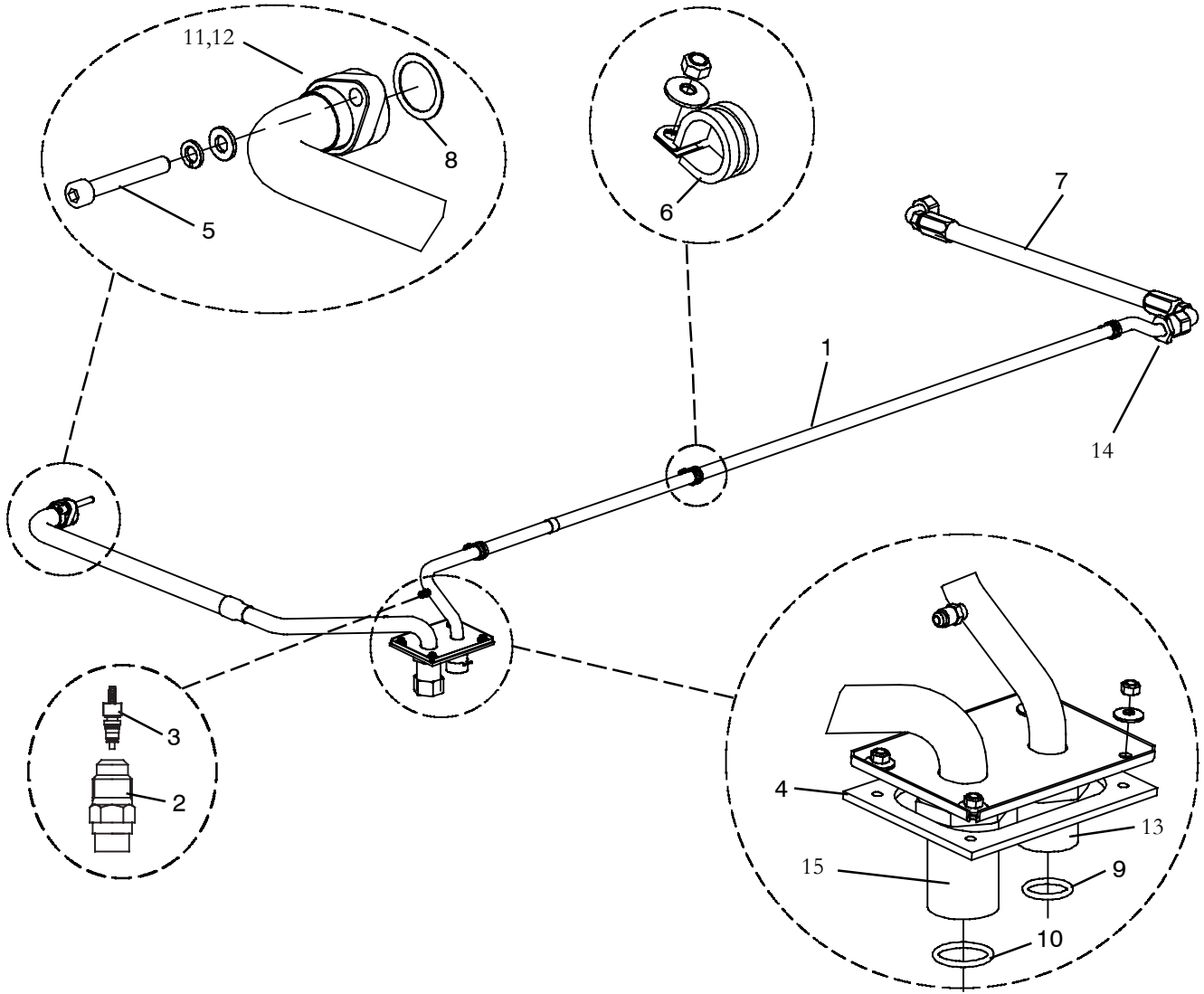
REF: 77-62245-04 E



6.4 Evaporator Connection Kit S/D, (Right ORS Suction Only)(Continued): Option 4			
Item	Part Number	Description	Qty
1	NSI	Tube Assembly, Suction and Discharge	1
2	02-62001-01	Sealant, Adhesive Caulk, White	A/R
3	34-06062-70	Screw, Cap Socket Head M10 x 70 (2.756)	2
4	42-67043-00	Gasket 42 x 32 x 1	1
5	42-00243-01	O-Ring, 1.171 ID x 0.139 Thick	1
6	40-67004-00	Fitting, Solder 1 3/8" x ORS	1
7	40-00590-03	Flange, w/11 MM DIA Holes	1
8	40-00491-03	Fitting, Solder 1 11/16" - 12	1



6.5 Evaporator Connection Kit S/D (Right ORS Liquid and Suction Artic): Option 5



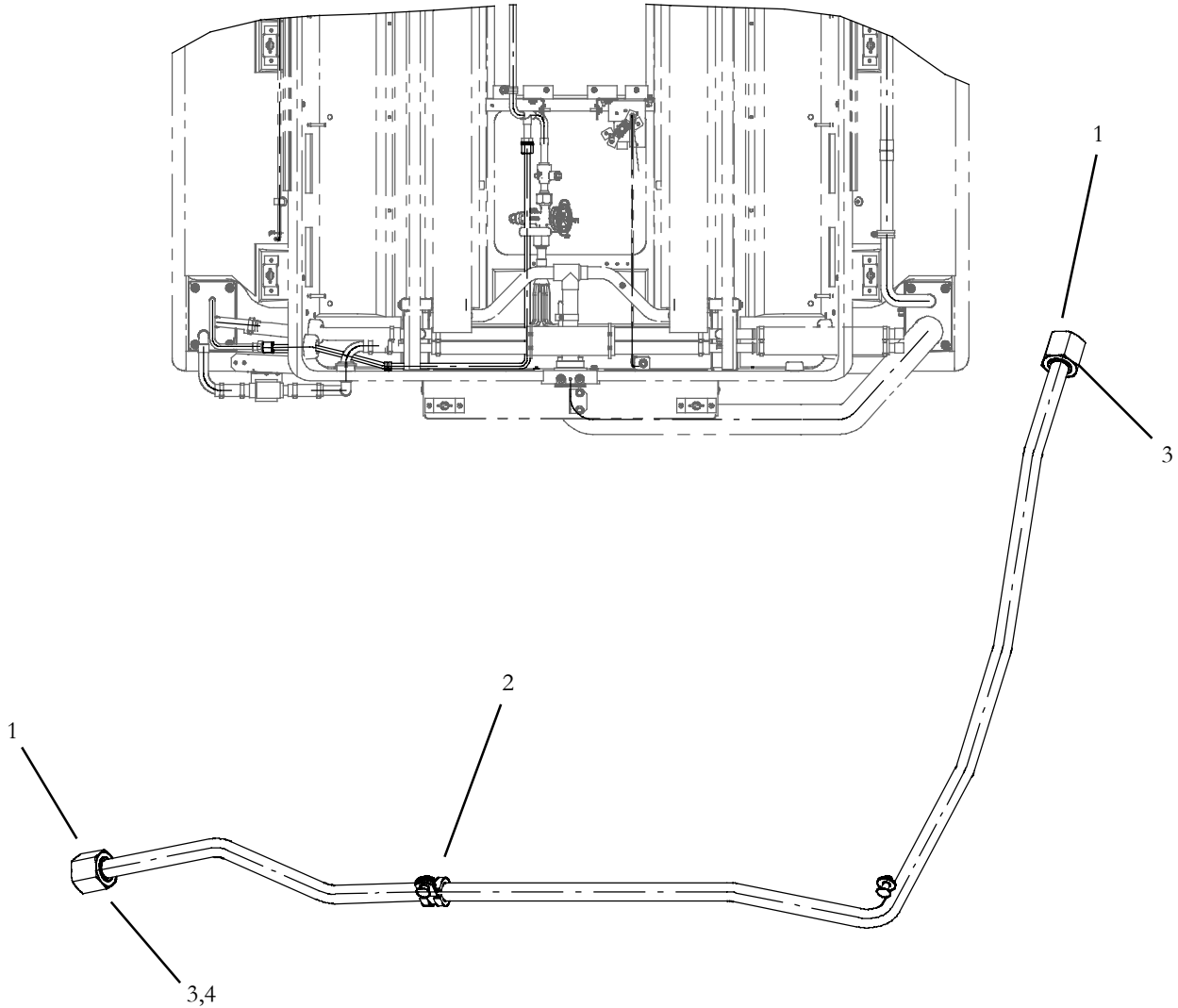
REF: 77-62245-05 E



6.5 Evaporator Connection Kit S/D(Right ORS Liquid and Suction, Artic)(Continued): Option 5			
Item	Part Number	Description	Qty
1	NSI	Tube Assembly, Suction and Discharge, Artic - Includes:	1
2	40-01124-00	Body, Valve, Schrader, Brass, 1/4 SAE Flare	1
3	14-00351-00	Core, Valve, Access (Nickel Plated)	1
4	02-62001-01	Sealant, Adhesive Caulk, White	A/R
5	34-06062-70	Screw, Cap, Socket Head, M10 x 70mm Long, SST	2
6	34-00373-15	Clamp, Tube, 1.12 Diameter, Cushion, SST	3
7	40-64094-59	Fitting Kit, #16 FORS x #16 Hose FLX	1
8	42-67043-00	Gasket, 42 x 32 x 1	1
9	42-00243-02	O-Ring, 1.484 ID x 0.139 Thick	1
10	42-00243-01	O-Ring, 1.171 ID x 0.139 Thick	1
11	40-67004-00	Fitting, Solder 1 3/8" x ORS	1
12	40-00590-03	Flange, w/11 MM DIA Holes	1
13	40-00491-05	Fitting, ORS, 1 7/16" - 12	1
14	40-00491-01	Fitting, ORS, 1 11/16" - 12	1
15	40-00491-02	Fitting, ORS, 2" - 12	1



7 Evaporator Connection Kit - Front Box, Right
7.1 Evaporator Connection Kit - Front Box, Left: Option 1

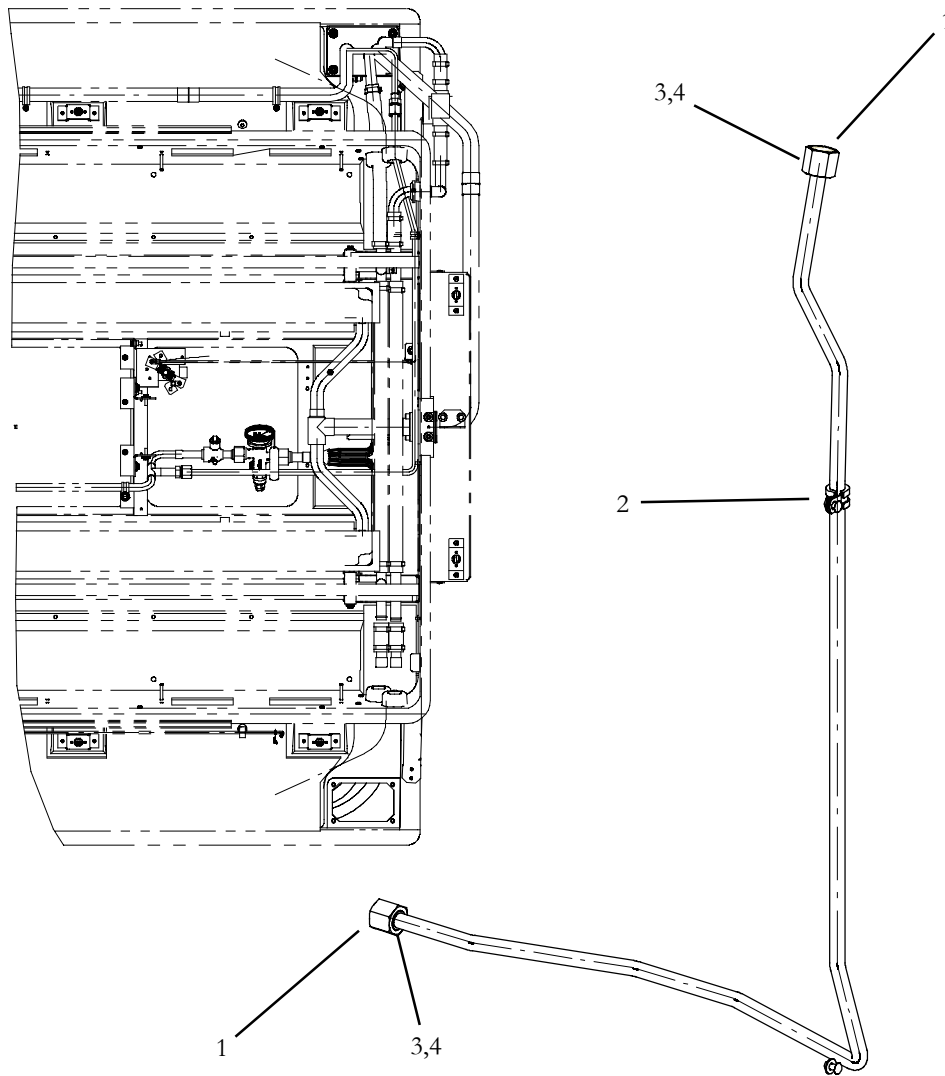


REF: 77-62257-08D

Item	Part Number	Description	Qty
1	42-00243-04	O-Ring, 0.489" (12.42) ID x 0.07" (1.78) THK	2
2	34-00373-05	Clamp, Hose, 0.5" DIA	1
3	40-00503-05	Swivel Nut	2
4	34-06121-05	ORS Braze Collar	1



7.2 Evaporator Connection Kit - Front Box, Right: Option 2

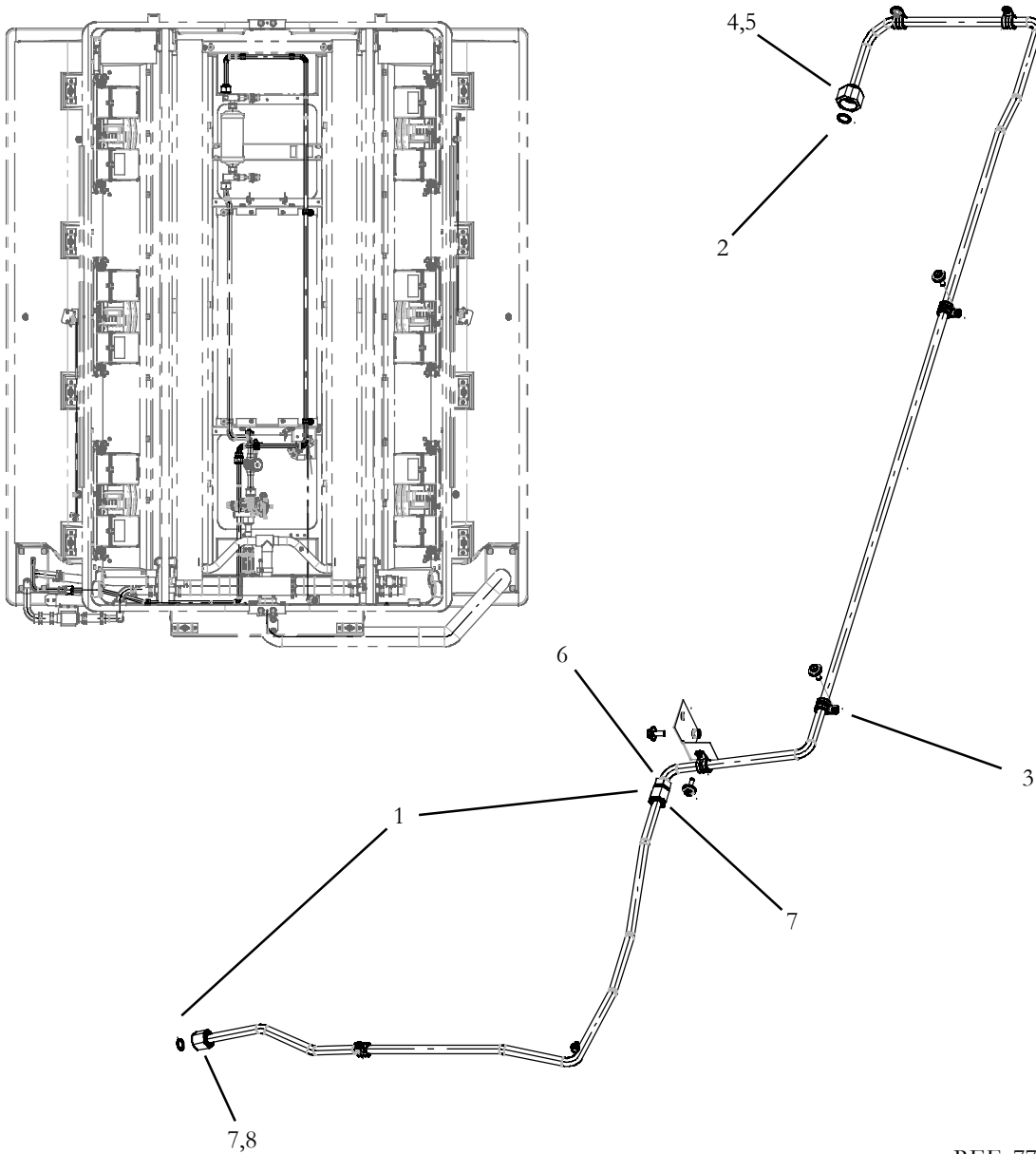


REF: 77-62257-09D

Item	Part Number	Description	Qty
1	42-00243-04	O-Ring, 0.489" (12.42) ID x 0.07" (1.78) THK	1
2	34-00373-05	Clamp, Hose, 0.5" DIA	1
3	34-06121-05	ORS Braze Collar	2
4	40-00503-05	Swivel Nut	2



7.3 Evaporator Connection Kit - Front Box, Slave: Option 3

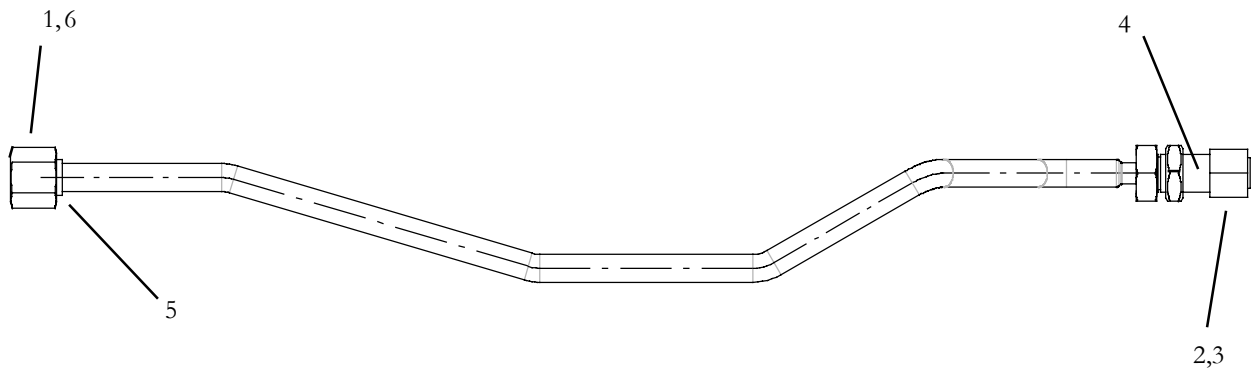
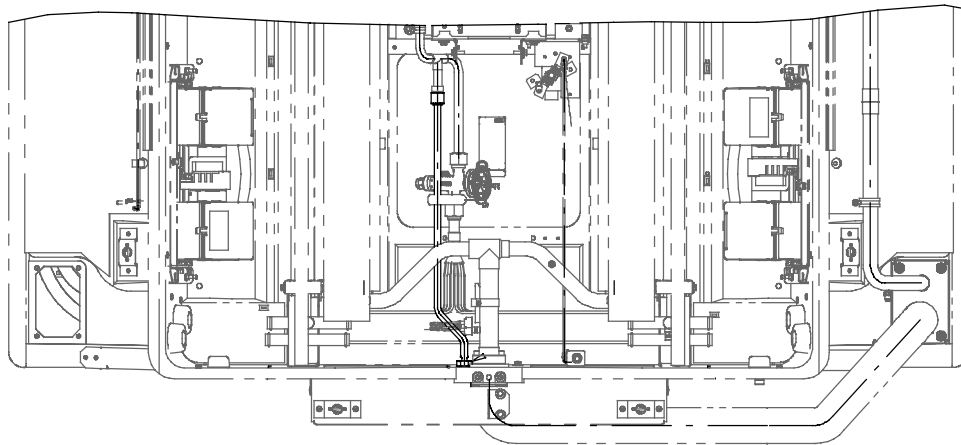


REF: 77-62257-10D

Item	Part Number	Description	Qty
1	42-00243-04	O-Ring, 0.489" (12.42) ID x 0.07" (1.78) THK	2
2	42-00243-03	O-Ring, .614" (15.6) ID x 0.07" (1.78) THK, Neoprene	1
3	34-00373-05	Clamp, Hose, 0.5" DIA	6
4	40-6008-09	Nipple	1
5	40-60009-04	Swivel Nut	1
6	40-60145-00	ORFS Fitting, 13/16" -16	1
7	40-00503-05	Swivel Nut	2
8	34-06121-05	ORS Braze Collar	1



7.4 Evaporator Connection Kit - Front Box, Center: Option 4

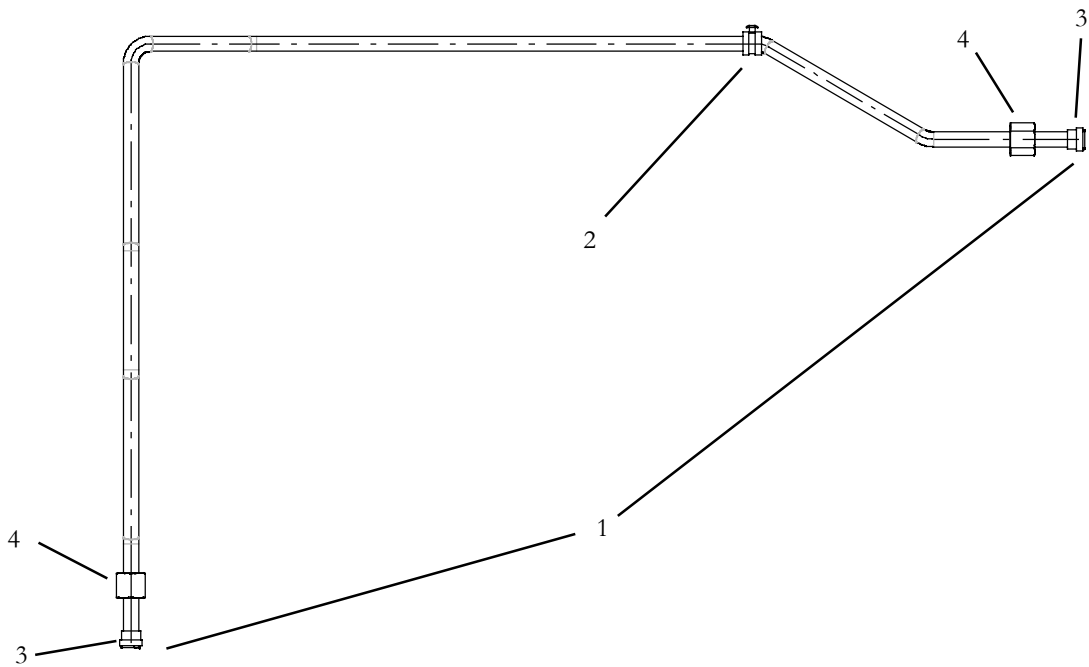
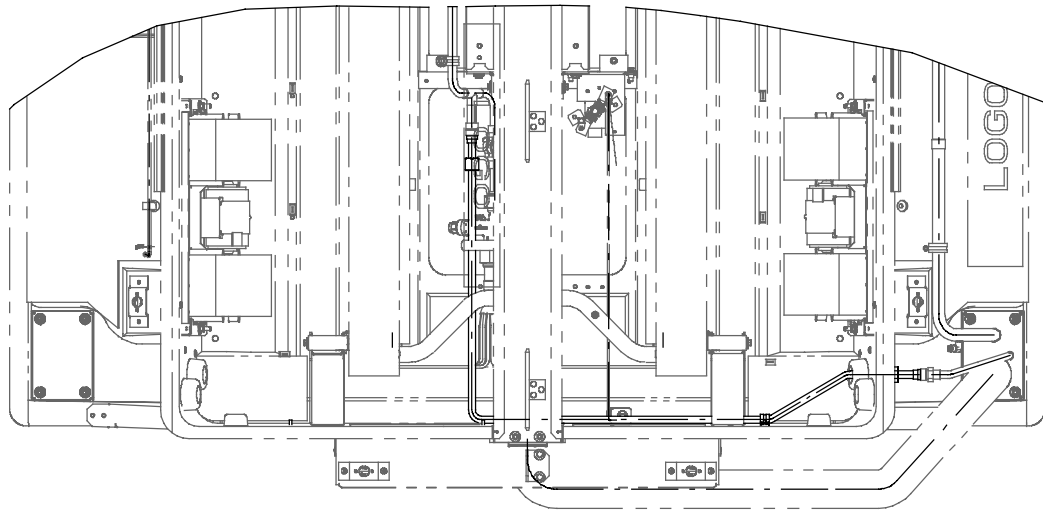


REF: 77-62257-12D

Item	Part Number	Description	Qty
1	42-00243-04	O-Ring, 0.489" (12.42) ID x 0.07" (1.78) THK	1
2	42-00243-09	O-Ring, 0.364" (9.25) ID x 0.07" (1.78) THK, Neoprene	1
3	40-60010-02	ORS Female Plug	1
4	40-00491-12	ORS Fitting, 11/16" - 16	1
5	40-00503-05	Collar, Tube, ORS	1
6	40-60009-03	Swivel Nut	1



7.5 Evaporator Connection Kit - Front Box, Right Lower: Option 5

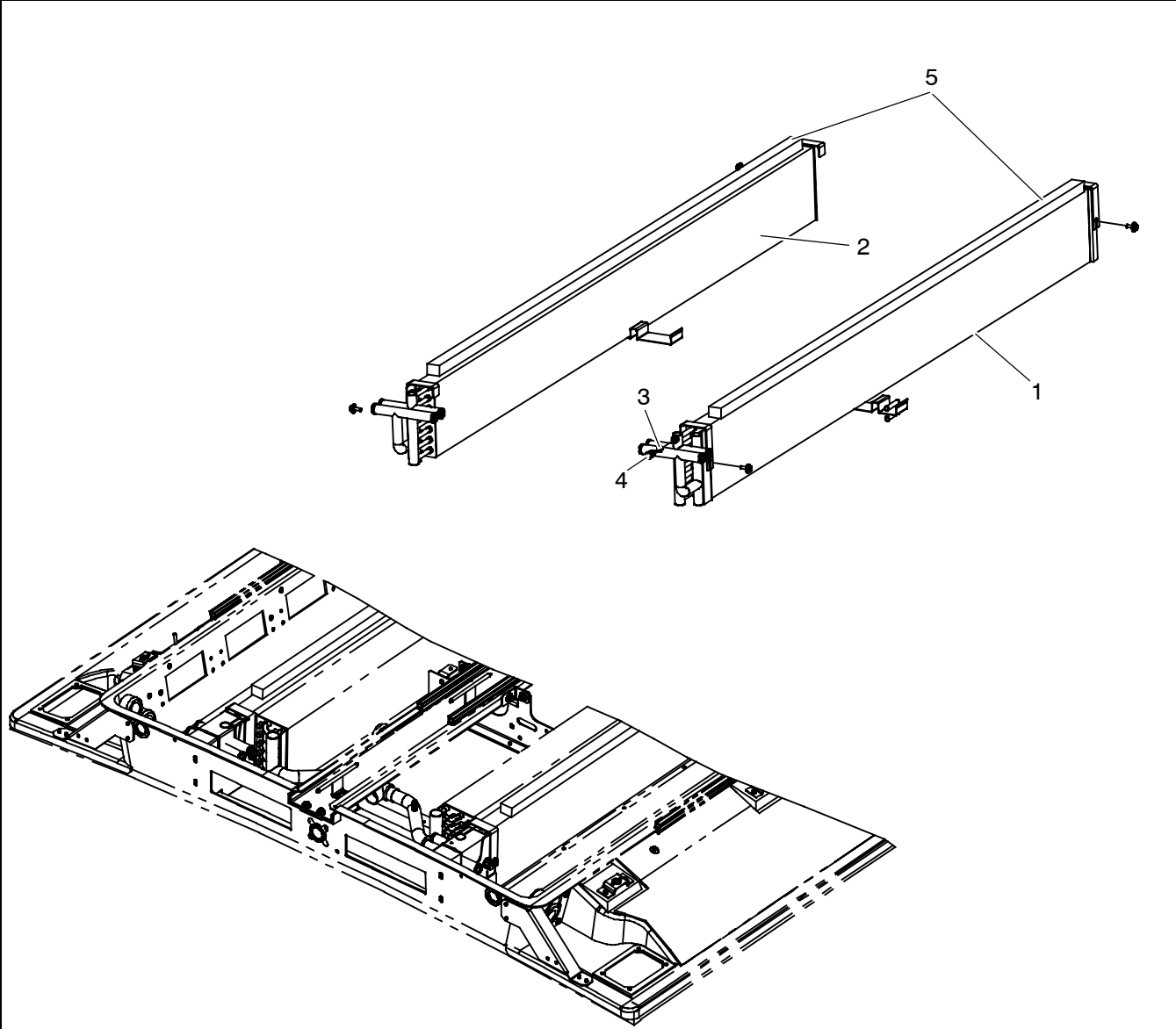


REF: 77-62257-13D

Item	Part Number	Description	Qty
1	42-00243-04	O-Ring, 0.489" (12.42) ID x 0.07" (1.78) THK	2
2	34-00373-05	Clamp, Hose, 0.5" DIA	1
3	40-00503-05	Collar, Tube, ORS	2
4	40-60009-03	Swivel Nut	2



8 EVAPORATOR HEATING KIT (2 ROW): Option 1



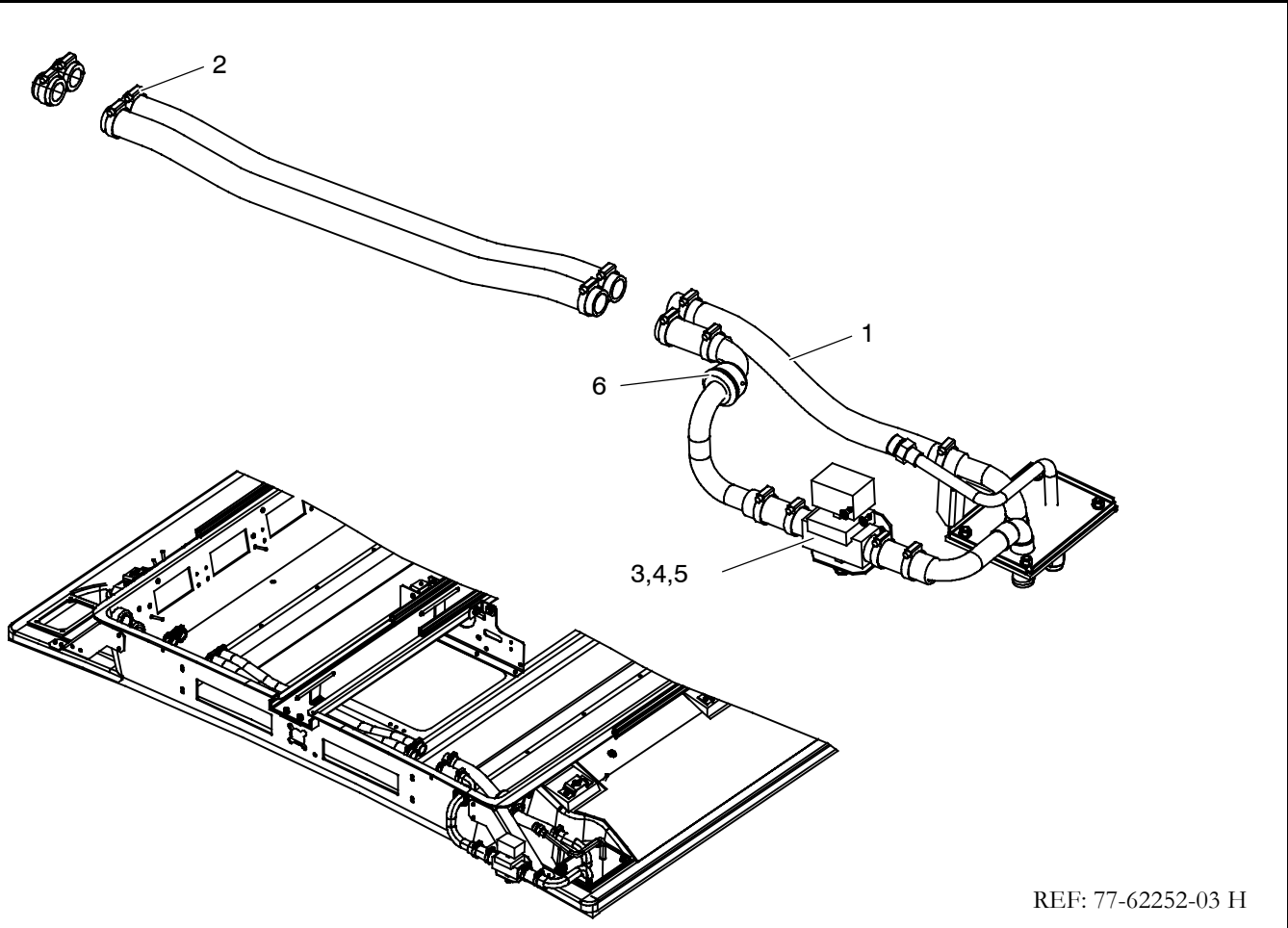
REF: 77-62255-00 A

Item	Part Number	Description	Qty
1	08-67023-00	Coil Assembly, Heater, Right	1
2	08-67023-01	Coil Assembly, Heater, Left	1
3	42-67030-00	Gasket, 10 ID x 13.5 OD x 2	1
4	40-67038-00	Valve, Pressure Relief	1
5	NSI	Gasket, 1.00 Inch Polyurethane	2



9 HEATING CONNECTION KITS

9.1 Heating Connection Kit - Right - With Solenoid Valve : Option 1

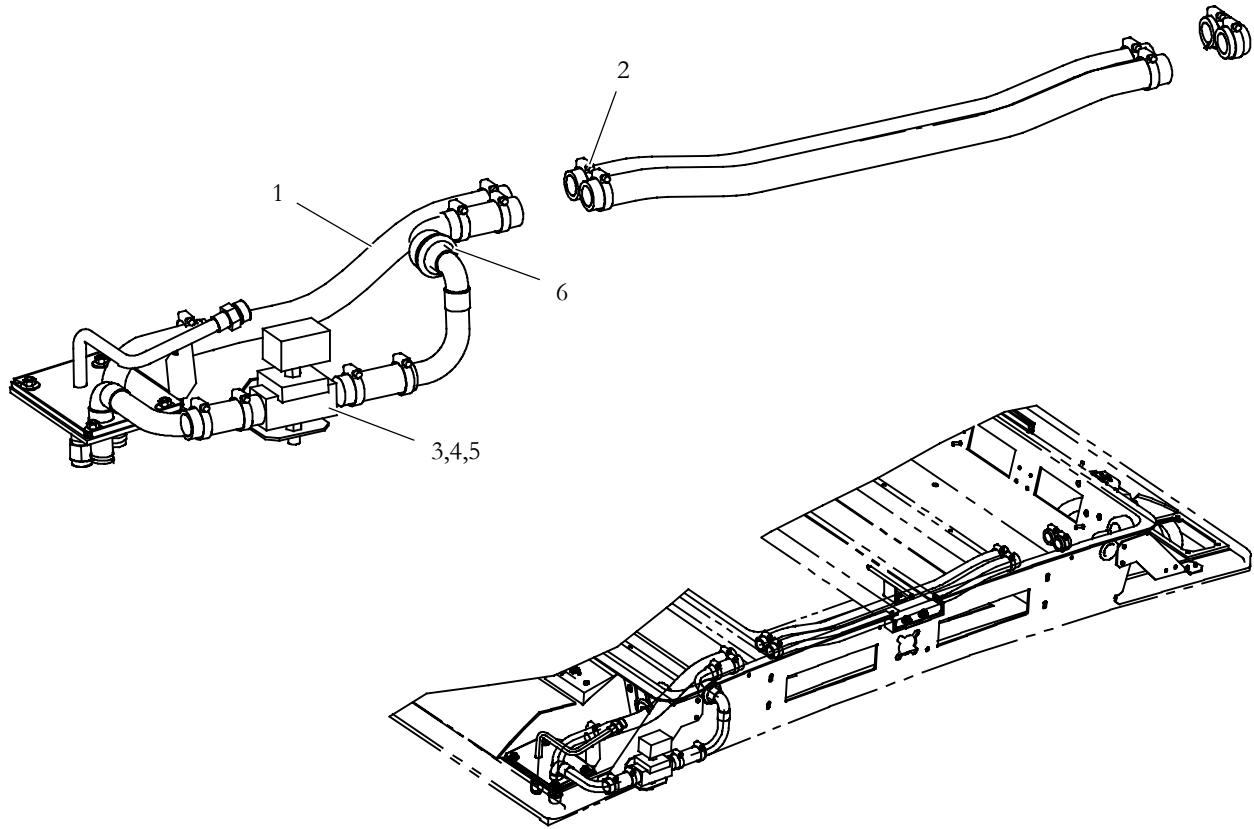


REF: 77-62252-03 H

Item	Part Number	Description	Qty
1	AC301-244	Hose, Heater, 0.87 ID x 50.00 Feet Long Roll	A/R
2	44-62012-02	Clamp, Hose, Worm Type, Range: 3/4 To 1-1/4 Inches, SST	14
3	14-00194-04	Valve, Coolant, Solenoid, 7/8 OD Bead End - Includes:	1
4	14-01110-02	Coil, Solenoid Valve, 24 VDC	1
5	14-50036-00	Repair Kit, Solenoid Valve	1
6	58-60298-04	Grommet, Cable Pass, 20-26mm	1



9.2 Heating Connection Kit - Left - With Solenoid Valve, 4 Ply Silicone Hose : Options 2 & 3



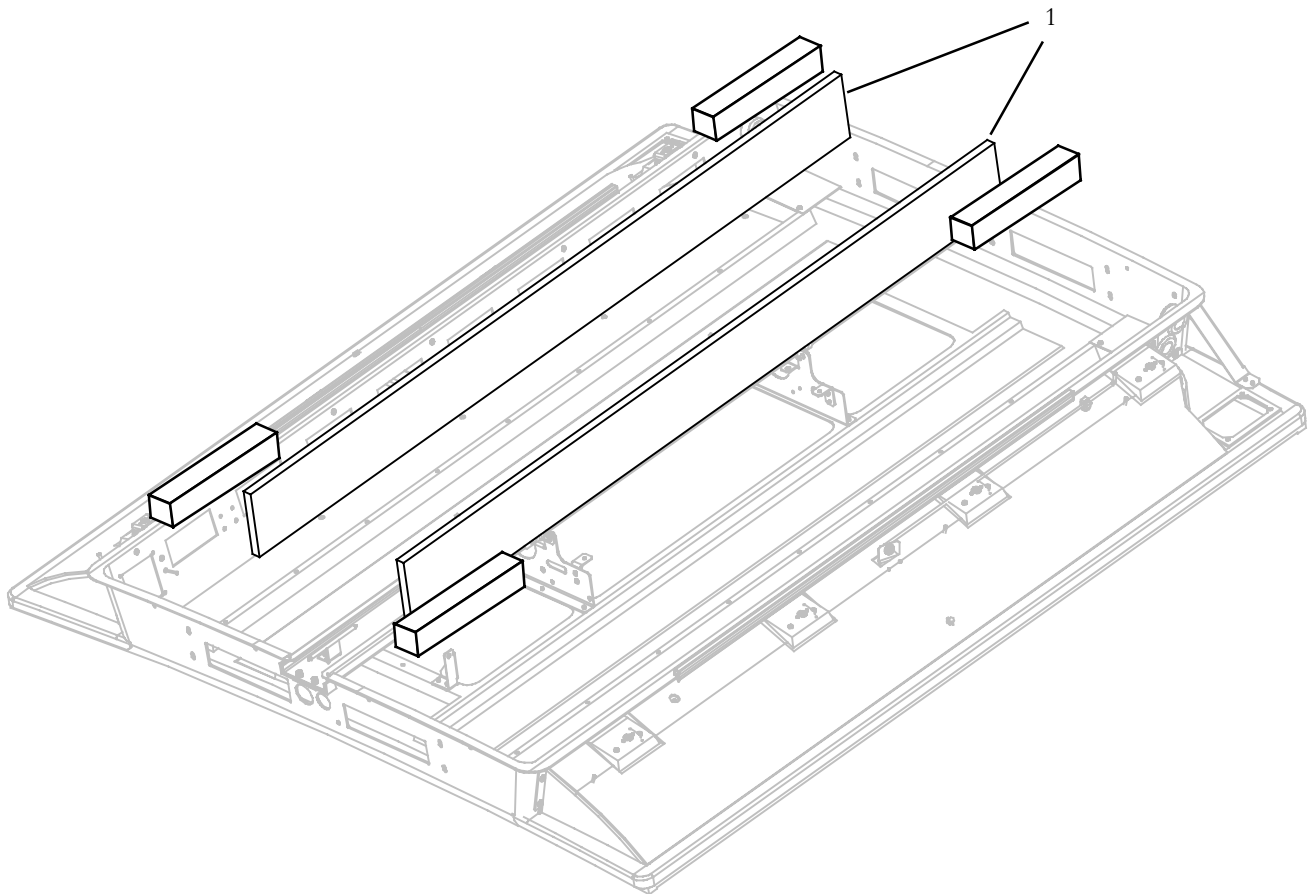
REF: 77-62252-09H Option 2

REF: 77-62252-10H Option 3

Item	Part Number	Description	Qty
1	Y37-00007-00	Hose, Heater, 0.88 ID x 12 Feet Long Roll, Silicone	A/R
2	44-00318-00	Clamp, Hose, Worm Type, Range: .813 To 1.75 Inches	16
3	14-00194-04	Valve, Coolant, Solenoid, 7/8 OD Bead End - Includes:	1
4	14-01110-02	Coil, Solenoid Valve, 24 VDC	1
5	14-50036-00	Repair Kit, Solenoid Valve	1
6	58-60298-04	Grommet, Cable Pass, 20-26mm	1



10 EVAPORATOR FILTER KIT (STANDARD): Options 1 & 2



NOTE: Option 1 uses only Item #1

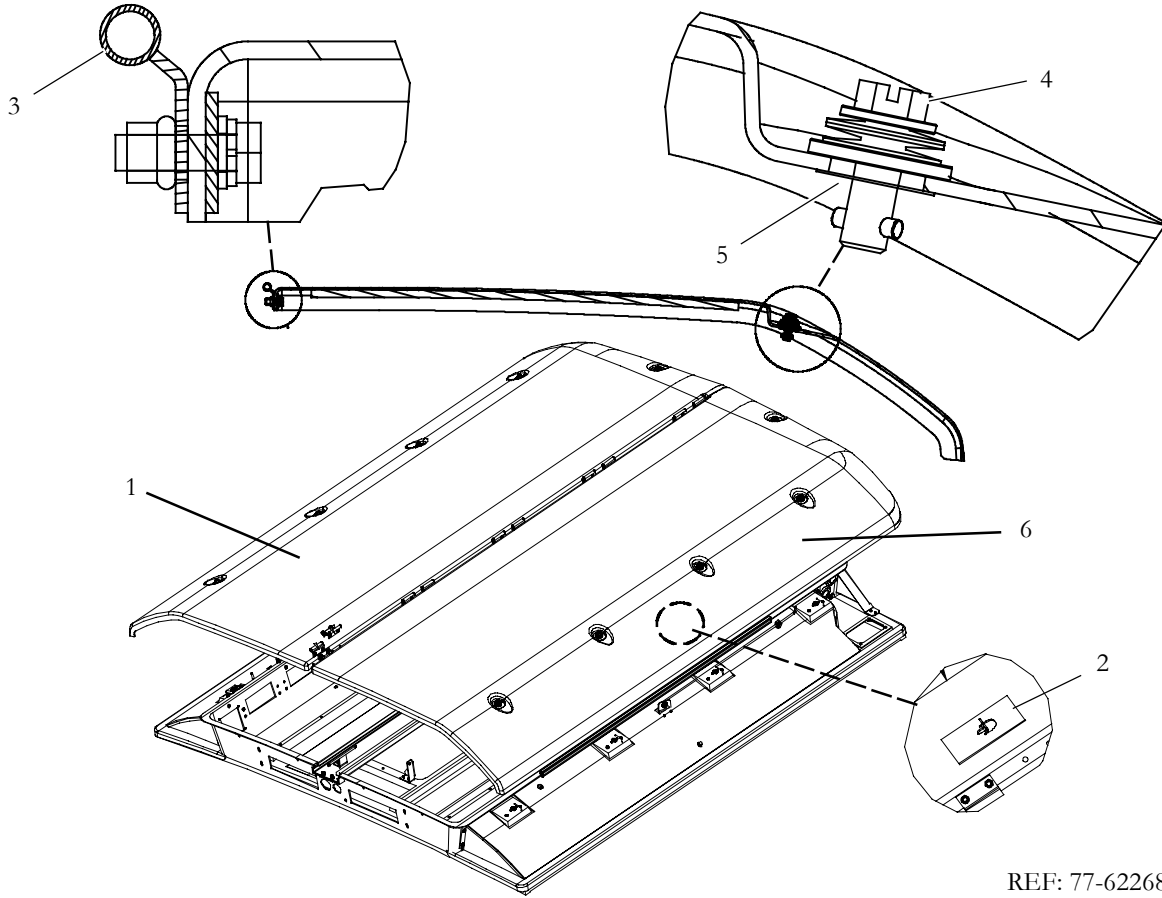
Ref: 77-62267-02 H
Ref: 77-62267-02 H

Item	Part Number	Description	Qty
1	42-62045-02	Filter, Air, Evaporator, 0.75" (19.05) Thick x 6.25" (158.75) x 70.87" (1800.10)	2
2	42-62045-04	Filter, Air, Evaporator, 1.25" (31.75) Thick x 1.50" (38.10) x 9.50" (241.30)	2
3	42-62045-05	Filter, Air, Evaporator, 1.25" (31.75) Thick x 1.50" (38.10) x 11.00" (279.40)	2



11 EVAPORATOR COVER KITS

11.1 Evaporator Cover Kit, Standard (R10M) , RAL 9010 White: Option 1

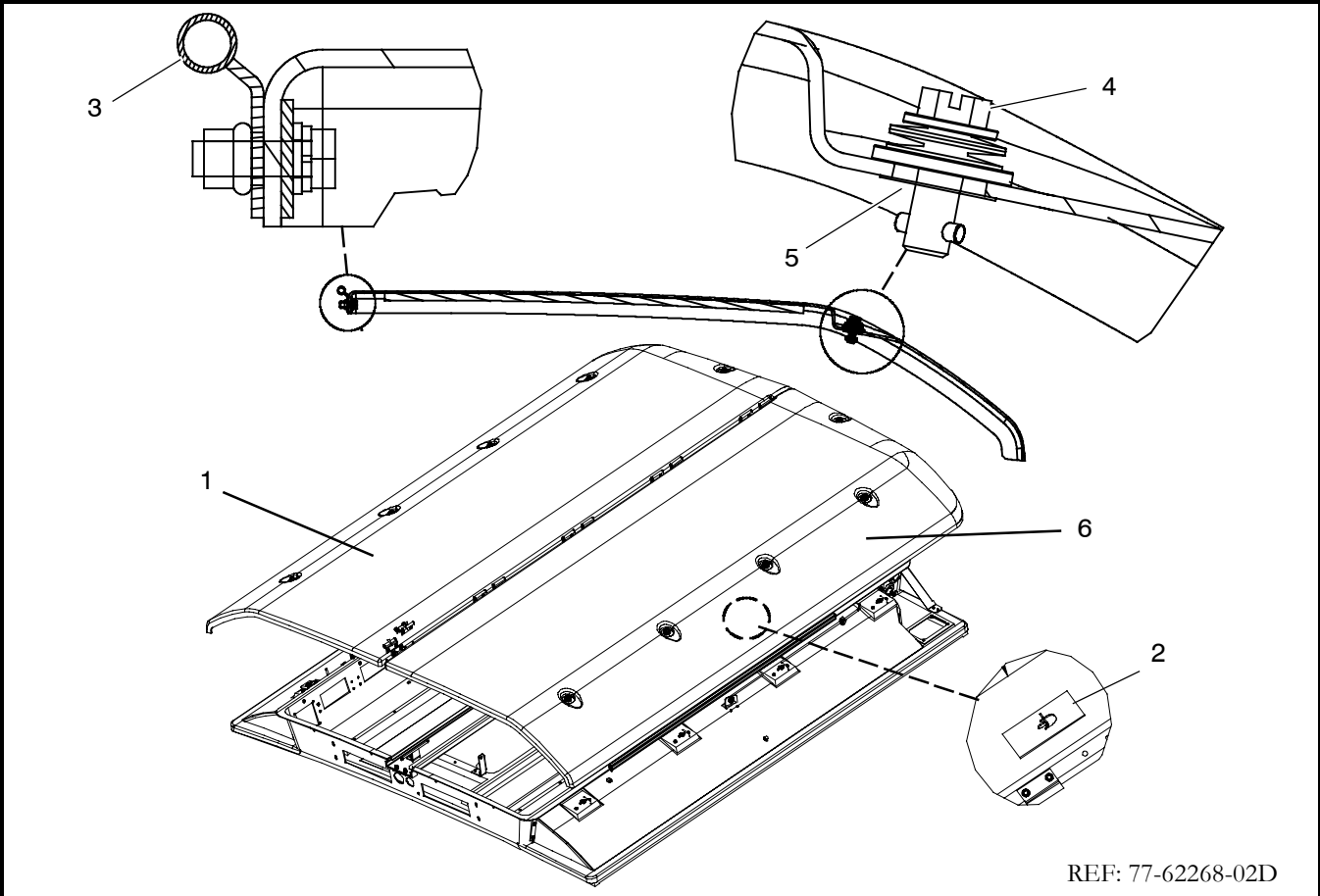


REF: 77-62268-00D

Item	Part Number	Description	Qty
1	79-62142-00	Cover Assembly, Evaporator, Right , R10M - Includes:	1
2	68-67165-00	Bracket, Rod, Cover Support	1
3	44-62004-02	Hinge Assembly, Cover, Evaporator	5
4	34-67009-00	Stud, Captive, 1/4 Turn, With Disc and Flat Washers	5
5	34-67025-00	Washer, Retaining, Steel	5
6	79-62142-01	Cover Assembly, Evaporator, Left , R10M - Includes:	1
2	68-67165-00	Bracket, Rod, Cover Support	1
3	44-62004-02	Hinge Assembly, Cover, Evaporator	5
4	34-67009-00	Stud, Captive, 1/4 Turn, With Disc and Flat Washers	5
5	34-67025-00	Washer, Retaining, Steel	5



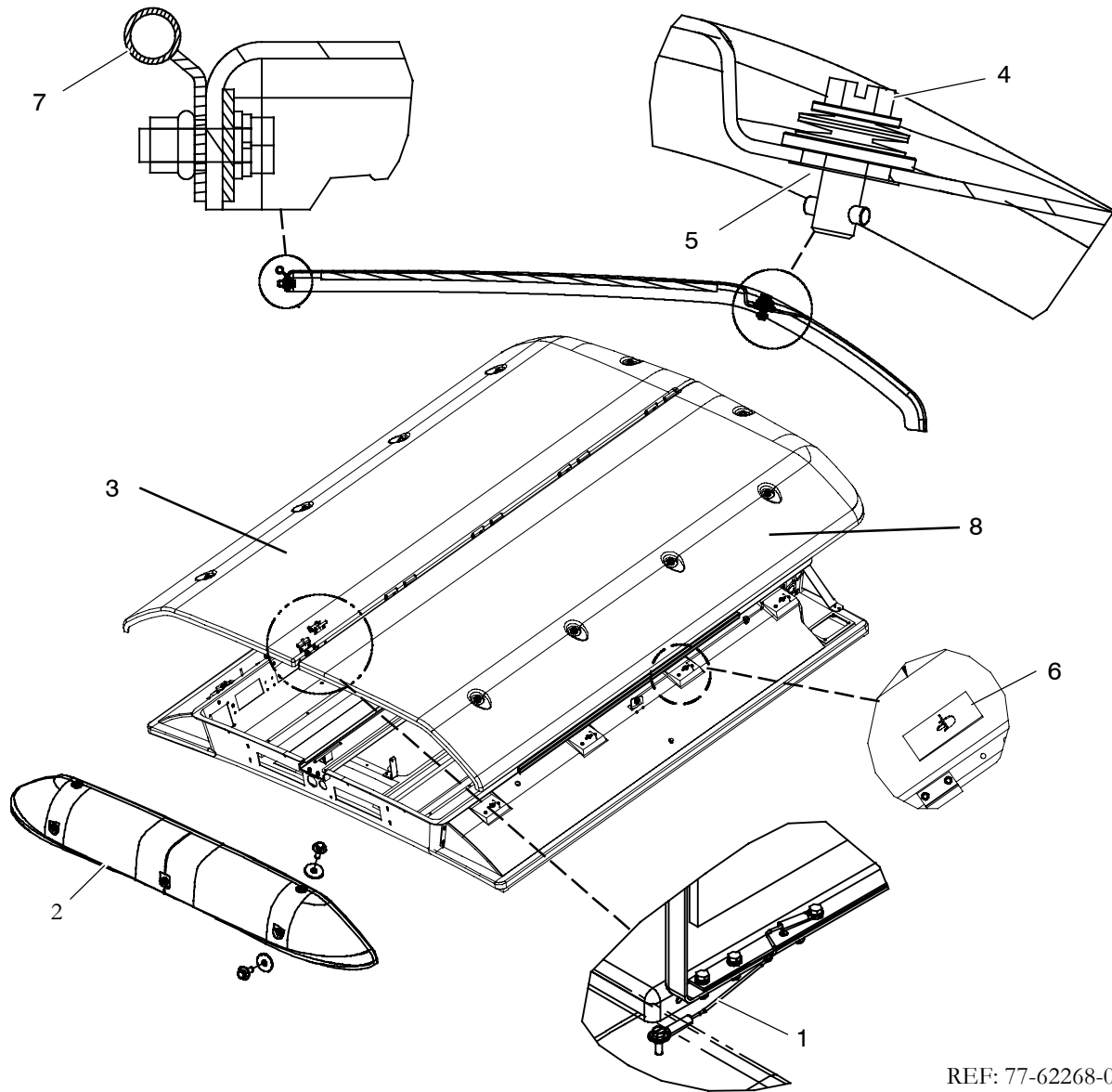
11.2 Evaporator Cover Kit, (R10M) ,CUT Valspar White: Option 2



Item	Part Number	Description	Qty
1	79-62142-04	Cover Assembly, Evaporator, Right , R10M - Includes:	1
2	68-67165-00	Bracket, Rod, Cover Support	1
3	44-62004-02	Hinge Assembly, Cover, Evaporator	5
4	34-67009-00	Stud, Captive, 1/4 Turn, With Disc and Flat Washers	5
5	34-67025-00	Washer, Retaining, Steel	5
6	79-62142-05	Cover Assembly, Evaporator, Left , R10M - Includes:	1
2	68-67165-00	Bracket, Rod, Cover Support	1
3	44-62004-02	Hinge Assembly, Cover, Evaporator	5
4	34-67009-00	Stud, Captive, 1/4 Turn, With Disc and Flat Washers	5
5	34-67025-00	Washer, Retaining, Steel	5



11.3 Evaporator Cover Kit, Evaporator Only Unit With Spoiler (R10M) , Valspar White: Option 3

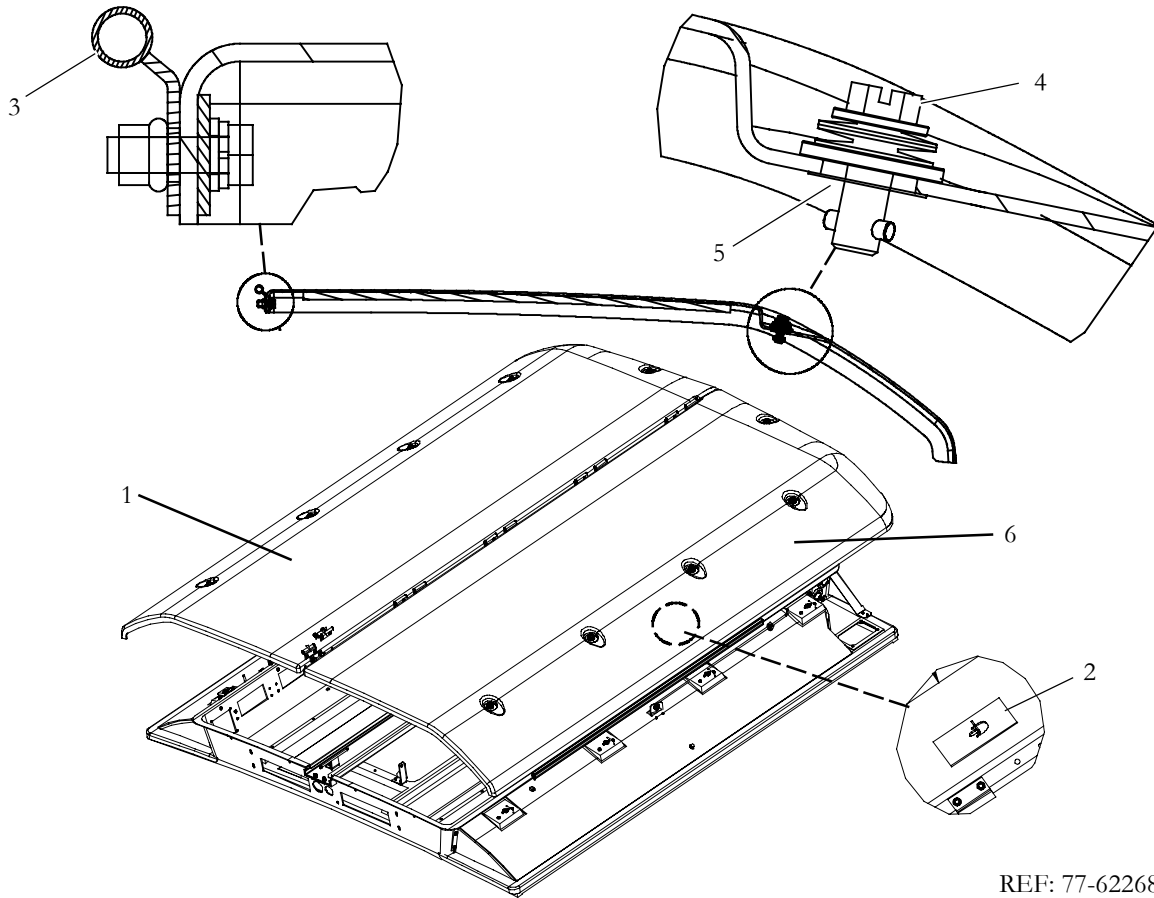


REF: 77-62268-06D

Item	Part Number	Description	Qty
1	79-62111-00	Cable Assembly, Safety	2
2	79-62141-02	Spoiler, H353	1
3	79-62142-04	Cover Assembly, Right, R10M - Includes:	1
4	34-67009-00	Stud, Captive, 1/4 Turn, With Disc and Flat Washers	5
5	34-67025-00	Ring, Retaining, 1/4 Turn	5
6	68-67165-00	Bracket, 2.0mm Thick, Aluminum	1
7	44-62004-02	Hinge, Cover, Evaporator	5
8	79-62142-05	Cover Assembly, Left, R10M - Includes:	1
4	34-67009-00	Stud, Captive, 1/4 Turn, With Disc and Flat Washers	5
5	34-67025-00	Ring, Retaining, 1/4 Turn	5
6	68-67165-00	Bracket 2.0mm Thick, Aluminum	1
7	44-62004-02	Hinge, Cover, Evaporator	5



11.4 Evaporator Cover Kit, (R10M) , CUT, Aztech, Frost White: Option 4

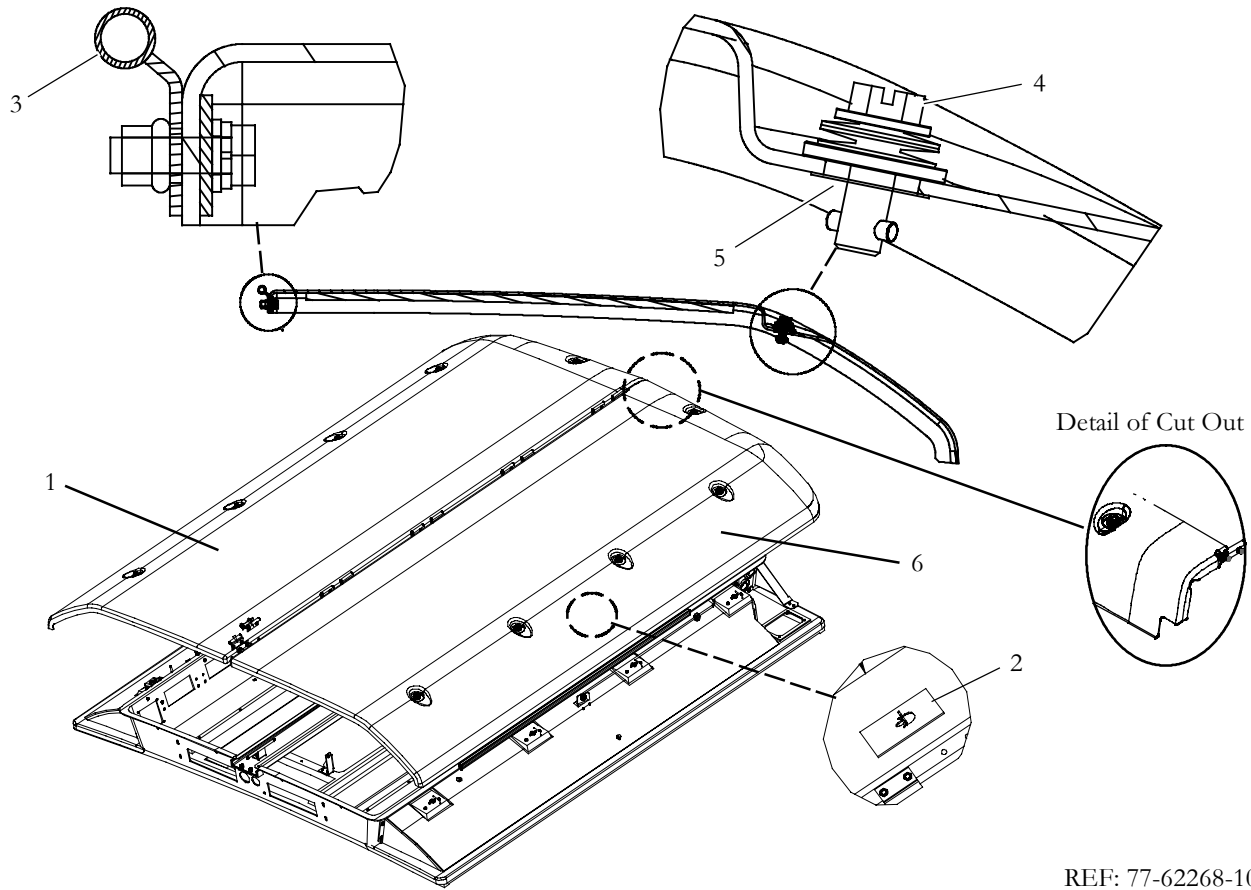


REF: 77-62268-09D

Item	Part Number	Description	Qty
1	79-62142-08	Cover Assembly, Evaporator, Right , R10M - Includes:	1
2	68-67165-00	Bracket, Rod, Cover Support	1
3	44-62004-02	Hinge Assembly, Cover, Evaporator	5
4	34-67009-00	Stud, Captive, 1/4 Turn, With Disc and Flat Washers	5
5	34-67025-00	Washer, Retaining, Steel	5
6	79-62142-09	Cover Assembly, Evaporator, Left , R10M - Includes:	1
2	68-67165-00	Bracket, Rod, Cover Support	1
3	44-62004-02	Hinge Assembly, Cover, Evaporator	5
4	34-67009-00	Stud, Captive, 1/4 Turn, With Disc and Flat Washers	5
5	34-67025-00	Washer, Retaining, Steel	5



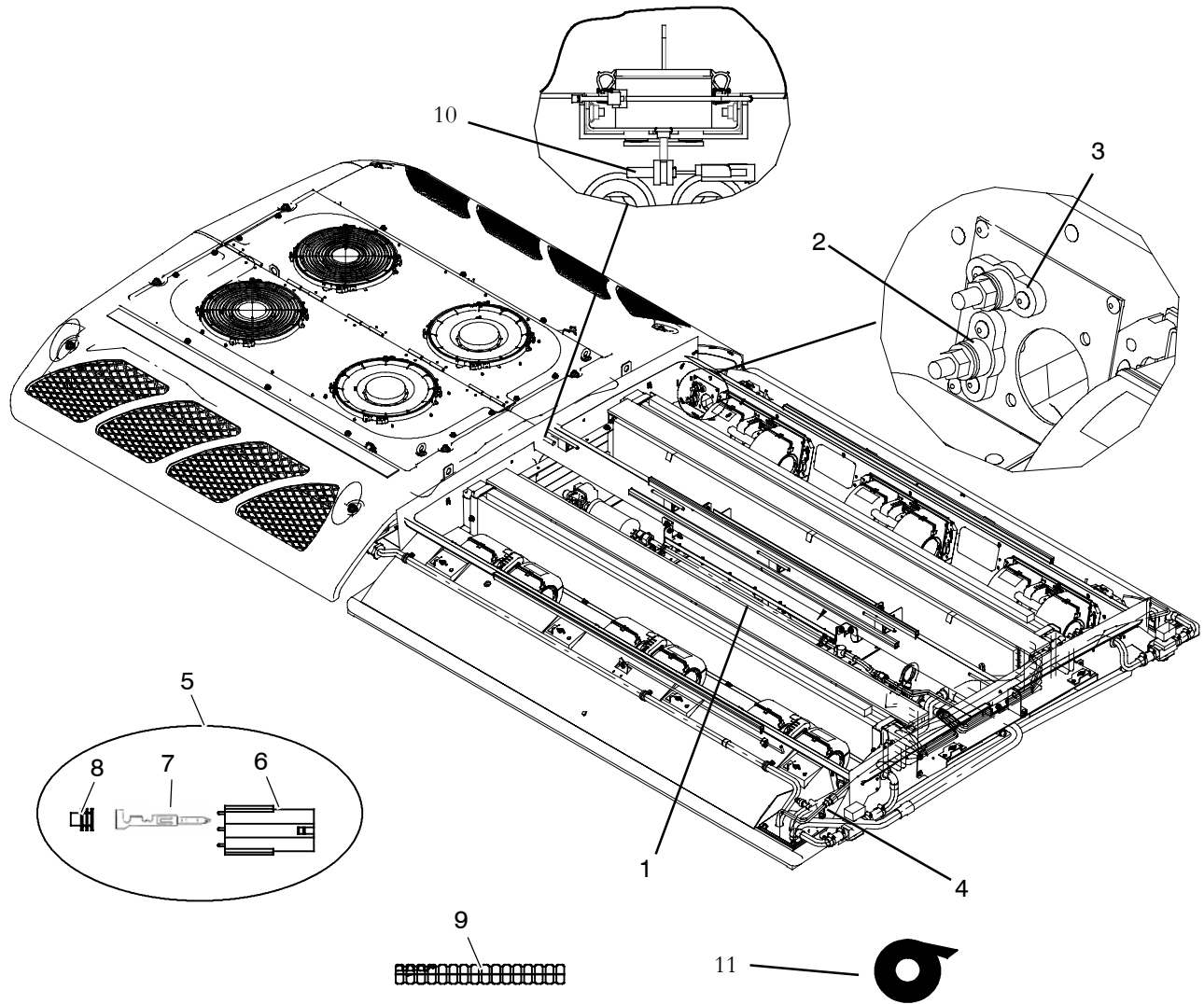
11.5 Evaporator Cover Kit, (R10M) , SEPTA White W/Cut Out: Option 5



Item	Part Number	Description	Qty
1	79-62142-04	Cover Assembly, Evaporator, Right , R10M - Includes:	1
2	68-67165-00	Bracket, Rod, Cover Support	1
3	44-62004-02	Hinge Assembly, Cover, Evaporator	5
4	34-67009-00	Stud, Captive, 1/4 Turn, With Disc and Flat Washers	5
5	34-67025-00	Washer, Retaining, Steel	5
6	79-62142-10	Cover Assembly, Evaporator, Left , R10M, W/Cut Out - Includes:	1
2	68-67165-00	Bracket, Rod, Cover Support	1
3	44-62004-02	Hinge Assembly, Cover, Evaporator	5
4	34-67009-00	Stud, Captive, 1/4 Turn, With Disc and Flat Washers	5
5	34-67025-00	Washer, Retaining, Steel	5



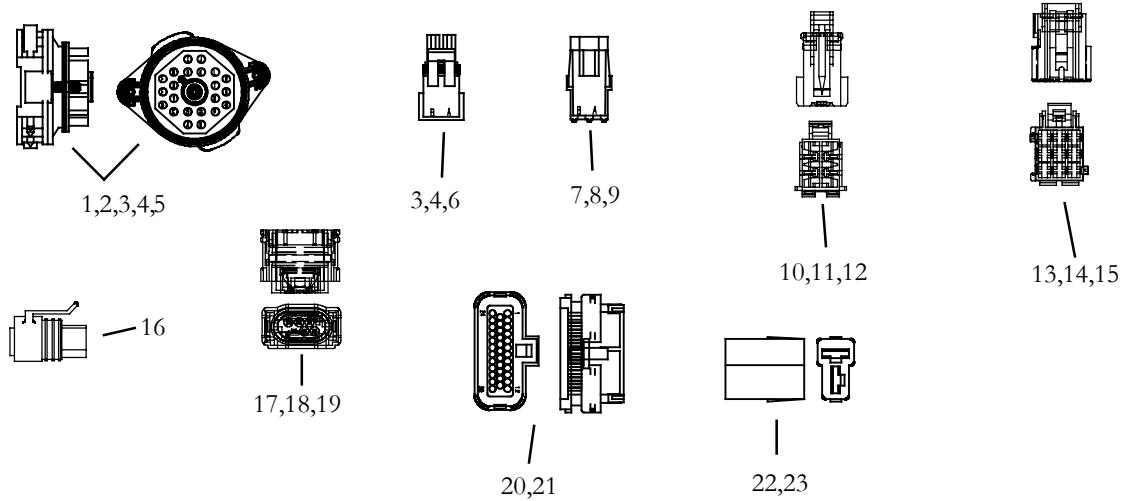
12 EVAPORATOR ELECTRICAL COMPONENTS: COMMON



Item	Part Number	Description	Qty
1	NSI	Panel Assembly, Electric, AC353 (See Section 13)	1
2	22-62180-01	Block Assembly, Junction, Stud Type, 3/8 - 16 Thread, Red	1
3	22-62180-00	Block Assembly, Junction, Stud Type, 3/8 - 16 Thread, Black	1
4	12-00352-00	Transducer, Pressure, 1/4 SAE Female Flare	2
5	22-02392-00SV	Connector Kit, 2 Pin - Includes:	1
6	NSS	Connector, 2 Pin, Black	1
7	22-02393-01	Terminal, Male (18-20 AWG)	2
8	22-02394-01	Seal, Cable	2
9	58-00858-00	Tubing, Split, Corrugated, 1/4 Inch ID x 25 Feet Long	A/R
10	Y25-00011	Thermistor Assembly	1
11	02-00137-00	Tape, Coroplast	A/R



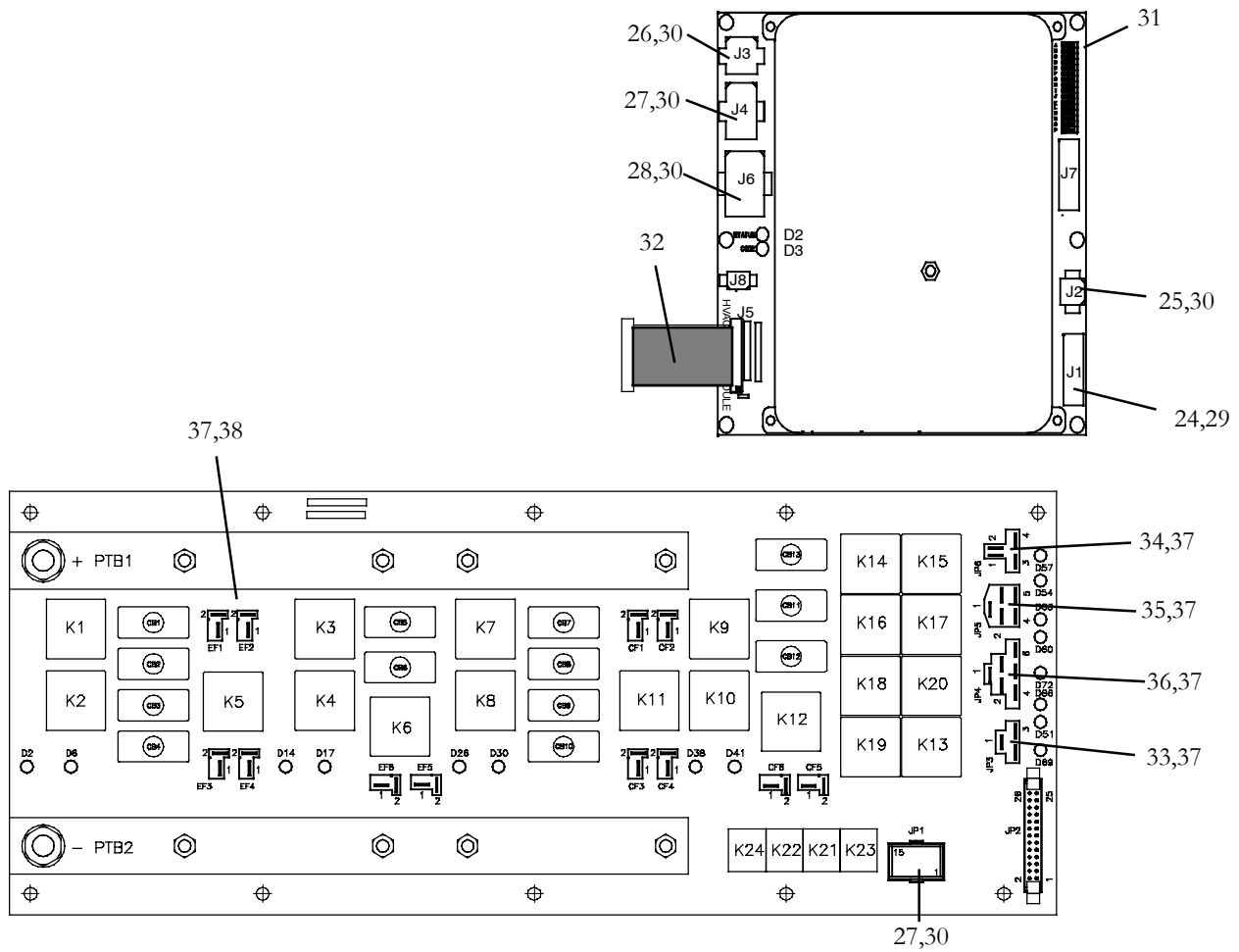
12.1 ELECTRICAL HARNESS CONNECTORS AND TERMINALS: COMMON



Item	Part Number	Description	Qty
1	22-01565-00	22 Way Weatherpac Connector, Female	1
2	22-50078-09A	Secondary Lock	2
3	22-50078-58F	Terminal, Female, 18-20 AWG	A/R
4	22-50078-58G	Terminal, Female, 14-16 AWG	A/R
5	22-01565-01	Plug, Cavity	A/R
6	22-01585-00	2 Way Weatherpac Connector Tower, Female (Black)	A/R
7	22-02392-00	2 Way Weatherpac Connector SHD, Male (Black)	A/R
8	22-02393-01	Terminal, Male, 18-20 AWG	A/R
9	22-02393-00	Terminal, Male, 14-16 AWG	A/R
10	22-50099-39	Connector, 6 Position JPT , Female (Evap. Mtr. Brushless, Harness side)	A/R
11	22-50099-39A	Terminal, Female, 12-14 AWG	A/R
12	22-50099-39B	Terminal, Female, 17-20 AWG	A/R
13	22-50099-42	Connector, 9 Position JPT , Female	A/R
14	22-50099-42A	Terminal, Female, 12-14 AWG	A/R
15	22-50099-42B	Terminal, Female, 17-20 AWG	A/R
16	22-02448-00SV	Connector Package, Transducer, Female (Harness): Includes Terminals	2
17	22-50099-43	Connector, 6 Position Tyco, Female (Fresh Air Motor, Harness Side)	1
18	22-50099-43A	Terminal, Female, 18 AWG	A/R
19	22-50099-43B	Terminal, Female, 20-24 AWG	A/R
20	22-50099-16	Connector, 35 Position, Female (JA, Relay Brd. Harness Side)	1
21	22-50099-19	Terminal, Female	A/R
22	22-50098-76	Connector, 2 Position (Brushed PM Motors, Harness Side)	A/R
23	22-50098-76A	Terminal,	A/R



12.1 ELECTRICAL HARNESS CONNECTORS AND TERMINALS: COMMON (Continued)

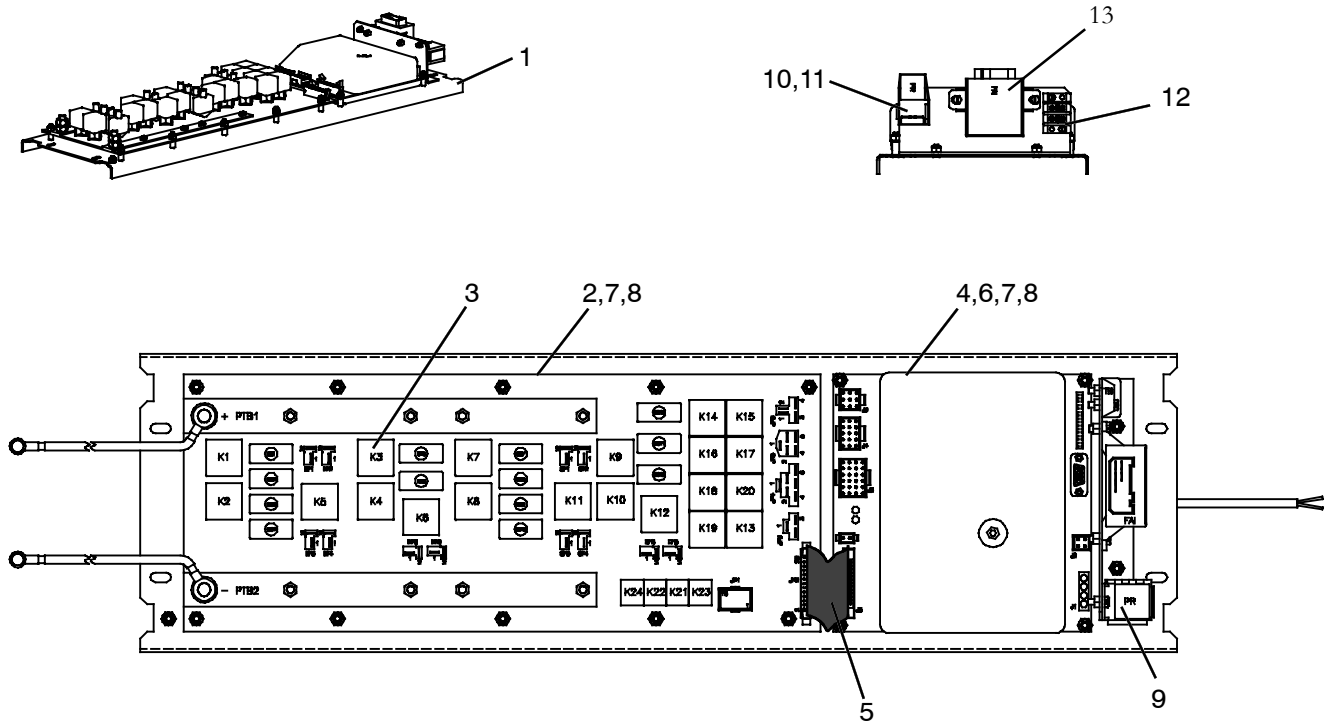


Item	Part Number	Description	Qty
24	22-50144-00	Connector, 4 Position (J1) (Harness Side)	1
25	22-50145-00	Connector, 4 Position (J2) (Harness Side)	1
26	22-50146-00	Connector, 9 Position (J3) (Harness Side)	1
27	22-50143-00	Connector, 15 Position (J4) (Harness Side)	1
28	CM983-618	Connector, 24 Position (J6) (Harness Side)	1
29	22-50153-00	Terminal, Socket, Female (J1) (Harness Side)	A/R
30	22-50152-00	Terminal, Socket, Female (J2,J3,J4,J6) (Harness Side)	A/R
31	12-00558-80	Jumpers	A/R
32	22-50236-00	Harness, Ribbon Cable 26 Pin (Logic Module to Relay Board)	1
33	22-50135-00	Connector, Female, 3 Position (JP3) (Harness Side)	1
34	22-50138-00	Connector, Female, 4 Position (JP6) (Harness Side)	1
35	22-50137-00	Connector, Female, 5 Position (JP5) (Harness Side)	1
36	22-50136-00	Connector, Female, 6 Position (JP4) (Harness Side)	1
37	22-50148-00	Terminal, Female, (JP3,JP4,JP5,JP6,EF,CF) (Harness Side)	A/R
38	22-50134-00	Connector, Female, 2 Position (EF & CF) (Harness Side)	12



13 ELECTRICAL CONTROL PANELS

13.1 GR60 Relay Board - Option 1 (Right) and (Left)

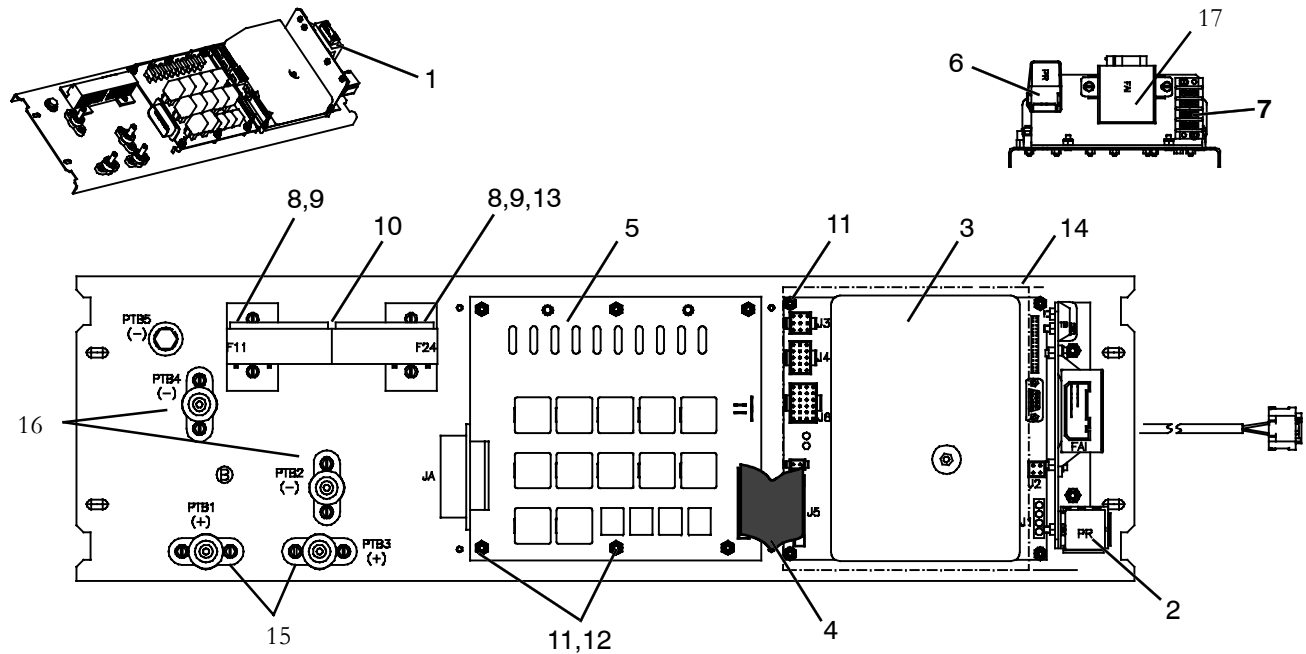


Ref. Kits 77-62229-00
77-62229-05

Item	Part Number	Description	Qty
1	NSA	Panel Assembly, Electrical, AC353 G4 (91-62094-00) - Includes:	1
2	12-00393-00	Board Assembly, Relay, Includes:	1
3	10-00286-13	Relay, SPDT, 24 VDC	20
4	12-00392-18	Module, Logic Controller 24 VDC (300 PSI) - Includes:	1
5	22-50236-00	Harness, Ribbon Cable, 26 Pin (Logic Module To Relay Board)	1
6	12-00495-02SV	Thermistor Sensor Kit, (Replacement For 12-00305-04)	1
7	34-62000-00	Spacer, Nylon	14
8	58-00511-08	Washer, Flat, Nylon, 0.031 Thick x 0.22 ID x 0.50 OD	14
9	10-00286-13	Relay, SPDT, 24 VDC	1
10	AC201-901	Connector, Relay	1
11	AC201-931	Lock, Connector, Relay	1
12	22-01563-04	Block, Terminal, 2 Poles #6-32 x 1/4 Inch Long	1
13	Y35-00001	Inverter	1



13.2 Micromax Relay Board - Option 2

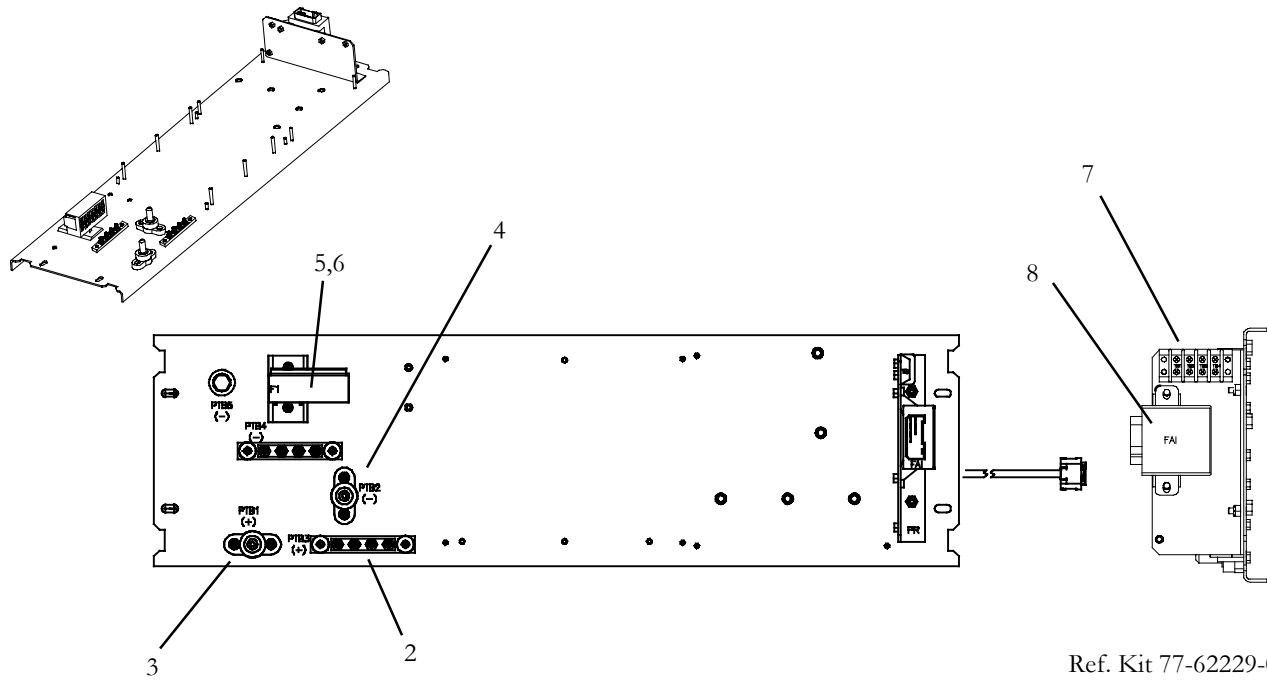


Ref. Kit 77-62229-03

Item	Part Number	Description	Qty
1	NSA	Panel Assembly, Electric, AC353 G4 Brushless (91-62095-01) - Includes:	1
2	10-00286-13	Relay, SPDT, With Diode	1
3	12-00392-18	Module, Logic Controller 24VDC (350PSI) - Includes:	1
4	22-50236-00	Harness, Ribbon Cable, 26 Pin (Logic Module to Relay Board)	1
5	12-00486-01	Board, Relay	1
6	AC201-901	Connector, Relay Socket	1
7	22-01563-05	Terminal Block, 4 Poles	1
8	22-62036-00	Fuse Holder, ATC Fuse	2
9	22-62038-00	Bracket, Fuse Holder	2
10	22-62040-00	Lock, Secondary Wedge, Fuse Holder	1
11	34-62000-00	Spacer, Nylon	10
12	58-00511-08	Washer, Flat, Nylon, 0.031 Thick x 0.22 ID X 0.50 OD	6
13	22-62039-01	Lock, Secondary Fuse Holder	26
14	12-00495-02SV	Thermistor Sensor Kit, (Replacement For 12-00305-04)	1
15	22-50098-91	Stud, Terminal (RED)	2
16	22-50098-91A	Stud, Terminal (BLACK)	2
17	Y35-00001	Inverter	1



13.3 BRUSHLESS SLAVE UNIT: Option 3

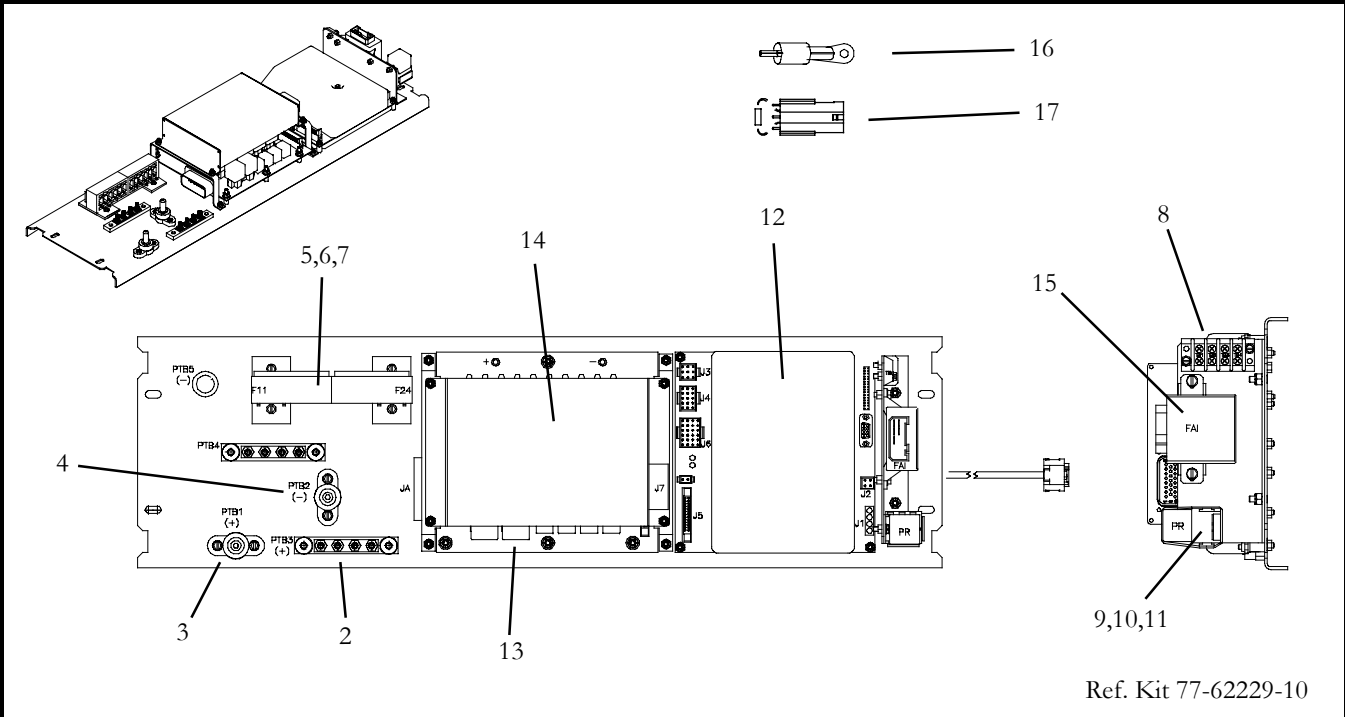


Ref. Kit 77-62229-09

Item	Part Number	Description	Qty
1	NSA	Panel Assembly, Electric, AC353 G4 Brushless (91-62106-02) - Includes:	1
2	Y35-00005-00	Buss Bar, 4 Position	2
3	22-50098-91	Stud, Terminal (RED)	1
4	22-50098-91A	Stud, Terminal (BLACK)	1
5	22-62036-00	Fuse Holder, ATC Fuse	1
6	22-62039-01	Fuse Holder, Secondary Lock	13
NS	AC201-600	In Line Diode, 6 Amp	1
7	22-01563-05	Terminal Block, 4 Pole	1
8	Y35-00001	Inverter	1



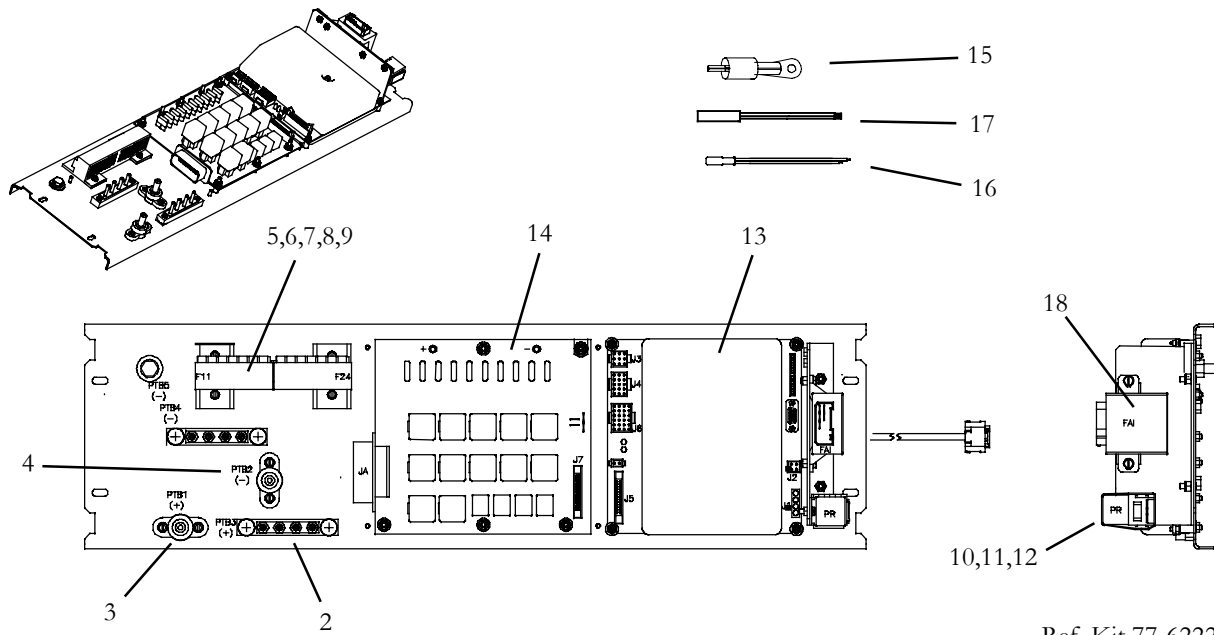
13.4 MICROMAX RELAY BOARD W/CAN & RRAS THERMISTOR: Option 4



Item	Part Number	Description	Qty
1	NSA	Panel Assembly, Electric, AC353 G4 Brushless (91-62106-03) - Includes:	1
2	Y35-00005-00	Buss Bar, 4 Position	2
3	22-50098-91	Stud, Terminal (RED)	1
4	22-50098-91A	Stud, Terminal (BLACK)	1
5	22-62036-00	Fuse Holder, ATC Fuse	2
6	22-62039-01	Fuse Holder, Secondary Lock	26
7	22-62040-00	Fuse Holder, Secondary Lock, Wedge	1
NS	AC201-600	In Line Diode, 6 Amp	1
8	22-01563-05	Terminal Block, 4 Pole	1
9	10-00286-13	Relay, SPDT w/Diode	1
10	AC201-901	Relay Socket, Connector	1
11	AC201-931	Lock, Secondary	1
12	12-00684-00	Logic Board, MicroMax	1
13	12-00486-01	Relay Board	1
14	12-00659-01	Logic Board, Data Communications	1
NS	NSI	Harness, MicroMax Logic Board to Data Com. Logic Board (22-62265-01)	1
15	Y35-00001	Inverter	1
16	12-00495-02SV	Thermistor Sensor Kit, (Replacement For 12-00305-04)	1
17	22-04116-00	Thermistor Assembly, RRAS	1



13.5 MICROMAX RELAY BOARD W/CAN (NYCTA & TCC): Option 5

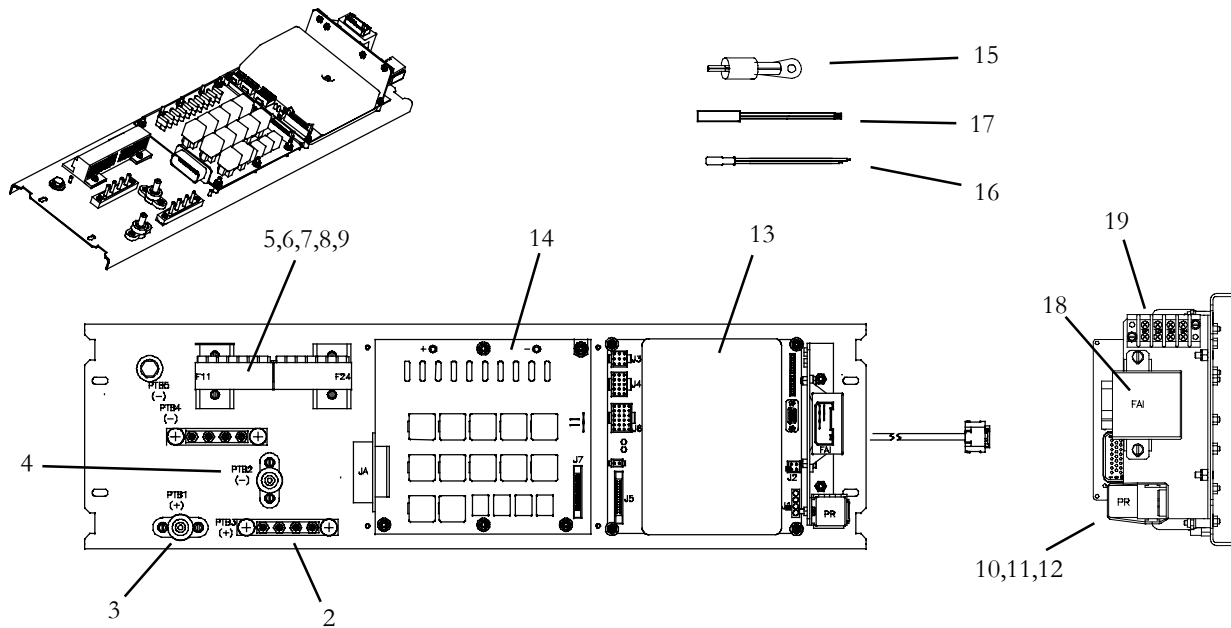


Ref. Kit 77-62229-12
Ref. Kit 77-62229-15

Item	Part Number	Description	Qty
1	NSA	Panel Assembly, Electric, AC353 G4 Brushless (Y25-00010-00 & -01) Includes:	1
2	Y35-00005-00	Buss Bar, 4 Position	2
3	22-50098-91	Stud, Terminal (RED)	1
4	22-50098-91A	Stud, Terminal (BLACK)	1
5	22-62036-00	Fuse Holder, ATC Fuse	2
6	22-62039-01	Fuse Holder, Secondary Lock	26
7	22-62040-00	Fuse Holder, Secondary Lock, Wedge	1
8	22-02336-01	Fuse, 20Amp	12
9	22-02336-04	Fuse, 10Amp	1
NS	AC201-600	In Line Diode, 6 Amp	1
10	10-00286-13	Relay, SPDT w/Diode	1
11	AC201-901	Relay Socket, Connector	1
12	AC201-931	Lock, Secondary	1
13	12-00693-04	Logic Board, MicroMax, (Ref. Kit 77-62229-12, Panel Y25-00010-00)	1
	12-00693-07	Logic Board, MicroMax, (Ref. Kit 77-62229-15, Panel Y25-00010-01)	1
14	12-00486-01	Relay Board	1
15	12-00495-02SV	Thermistor Sensor Kit, (Replacement For 12-00305-04)	1
16	35-0011	Thermistor, DAT (Yellow Leads)	1
17	35-0008	Thermistor, CWITS (Blue/White Leads)	1
18	Y35-00001	Inverter, Polarity	1



13.6 MICROMAX RELAY BOARD W/CAN (SEPTA): Option 6

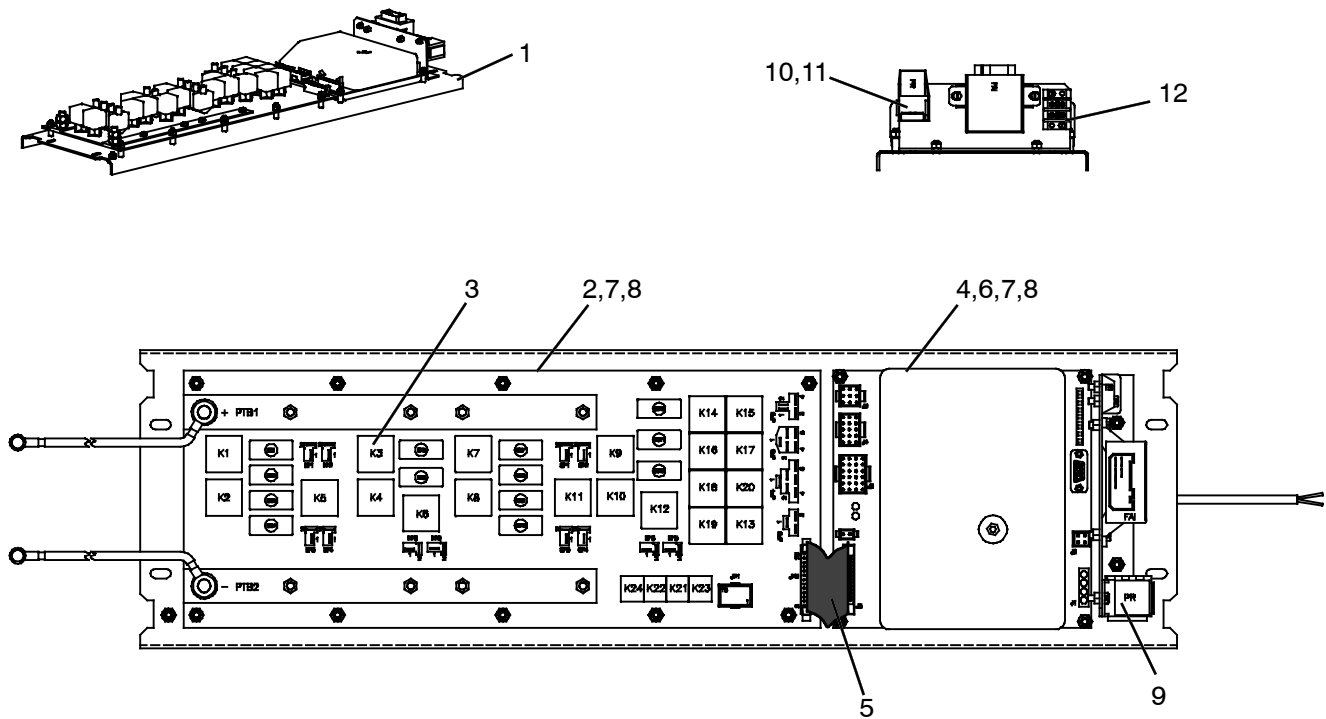


Ref. Kit 77-62229-13

Item	Part Number	Description	Qty
1	NSA	Panel Assembly, Electric, AC353 G4 Brushless (Y25-00046-00) Includes:	1
2	Y35-00005-00	Buss Bar, 4 Position	2
3	22-50098-91	Stud, Terminal (RED)	1
4	22-50098-91A	Stud, Terminal (BLACK)	1
5	22-62036-00	Fuse Holder, ATC Fuse	2
6	22-62039-01	Fuse Holder, Secondary Lock	26
7	22-62040-00	Fuse Holder, Secondary Lock, Wedge	1
8	22-02336-01	Fuse, 20Amp	12
9	22-02336-04	Fuse, 10Amp	1
NS	AC201-600	In Line Diode, 6 Amp	1
10	10-00286-13	Relay, SPDT w/Diode	1
11	AC201-901	Relay Socket, Connector	1
12	AC201-931	Lock, Secondary	1
13	12-00693-08	Logic Board, MicroMax, (Ref. Kit 77-62229-13, Panel Y25-00046-00)	1
14	12-00486-01	Relay Board	1
15	12-00495-02SV	Thermistor Sensor Kit, (Replacement For 12-00305-04)	1
16	35-0011	Thermistor, DAT (Yellow Leads)	1
17	35-0008	Thermistor, CWITS (Blue/White Leads)	1
18	Y35-00001	Inverter, Polarity	1
19	22-01563-00	Terminal Block, 4 Pole	1



13.7 MICROMAX Relay Board w/CAN Data (Right-Drain Plates): Option 7

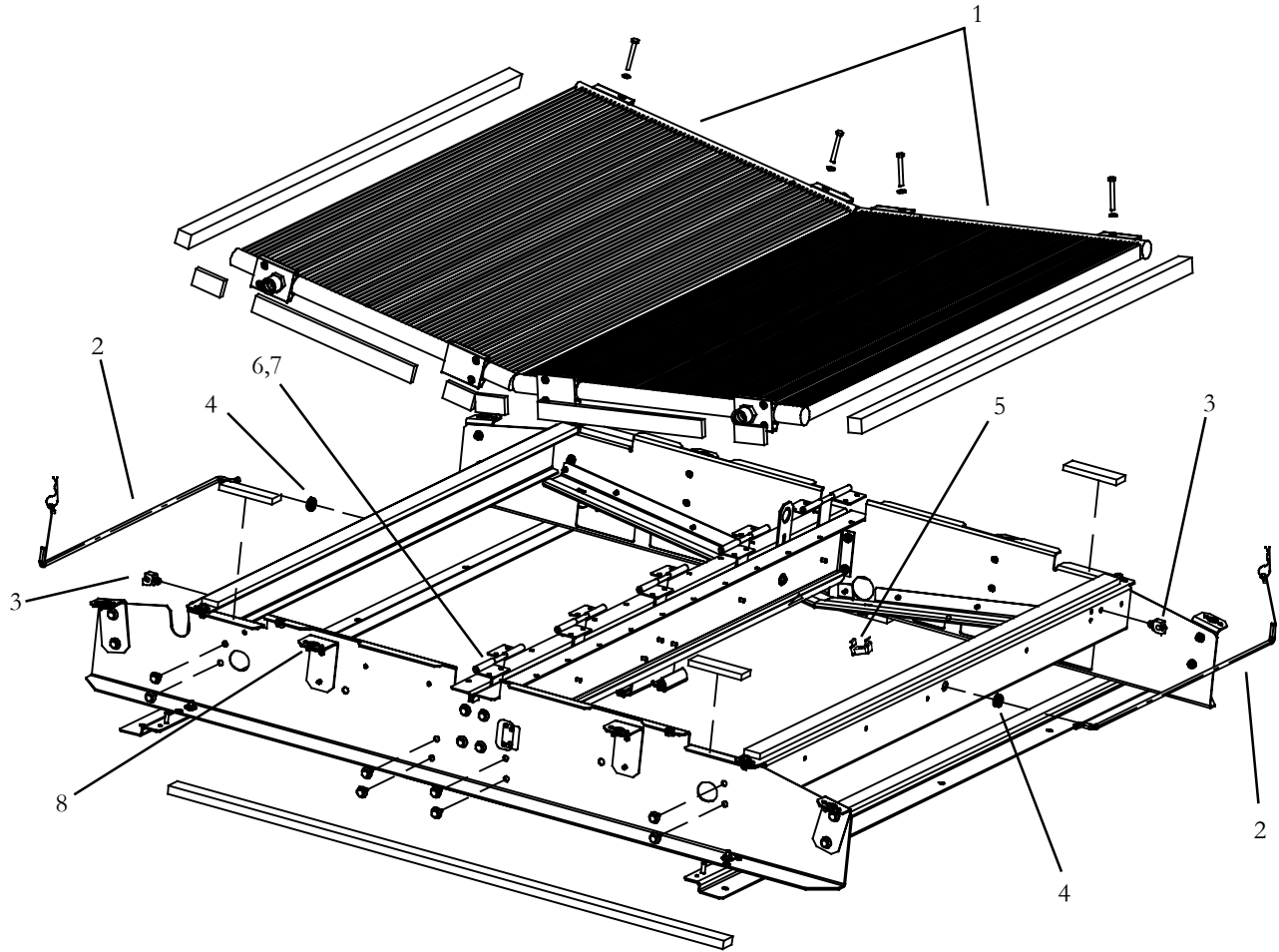


REF: 77-62229-14

Item	Part Number	Description	Qty
1	NSI	Panel Assembly, Electrical, AC353 G4, (91-62095) - Includes:	1
2	12-00393-00	Board Assembly, Relay, Includes:	1
3	10-00286-13	Relay, SPDT, 24 VDC	20
4	12-00392-15	Module, Logic Controller 24 VDC (300 PSI) - Includes:	1
5	22-50236-00	Harness, Ribbon Cable, 26 Pin (Logic Module To Relay Board)	1
6	12-00495-02SV	Thermistor Sensor Kit, (Replacement For 12-00305-04)	1
7	34-62000-00	Spacer, Nylon	14
8	58-00511-08	Washer, Nylon, 0.031" (0.8) Thick x 0.22" (5.59) ID x 0.50" (12.7) OD	14
9	10-00286-13	Relay, SPDT, 24 VDC	1
10	AC201-901	Connector, Relay	1
11	AC201-931	Lock, Connector, Relay	1
12	22-01563-04	Block, Terminal, 2 Poles #6-32 x 1/4 Inch Long	1



14 CONDENSER KIT - SINGLE CIRCUIT (ALL MODELS)



REF: 77-62266-00 D

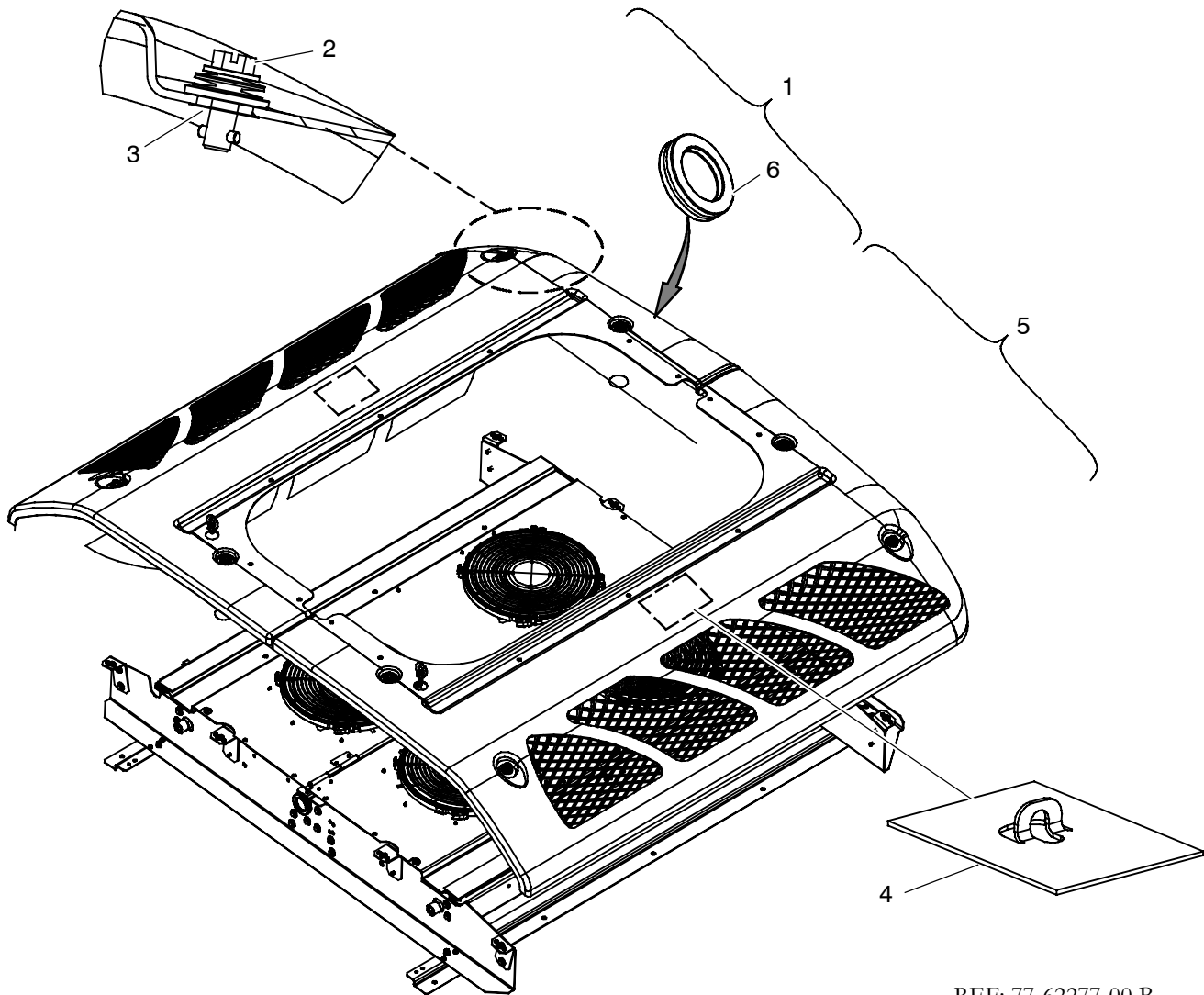
REF: 77-62266-03 D

Item	Part Number	Description	Qty
-	NSI	Housing Assembly, Condenser - Includes:	1
1	08-67026-02	Condenser Coil, MCHX	2
2	Y24-00057-00	Prop Rod	2
3	44-67014-00	Clip	2
4	58-60302-01	Grommet	2
5	34-60098-66	Ecrou Cage	4
6	86-67149-00	Hinge, Double Pin	4
7	86-67150-00	Hinge, Cover	5
8	34-62016-00	Locking Plate	8



15 CONDENSER COVER KITS

15.1 CONDENSER COVER KIT - Option 1- STANDARD, R10M, WHITE (SKINS)

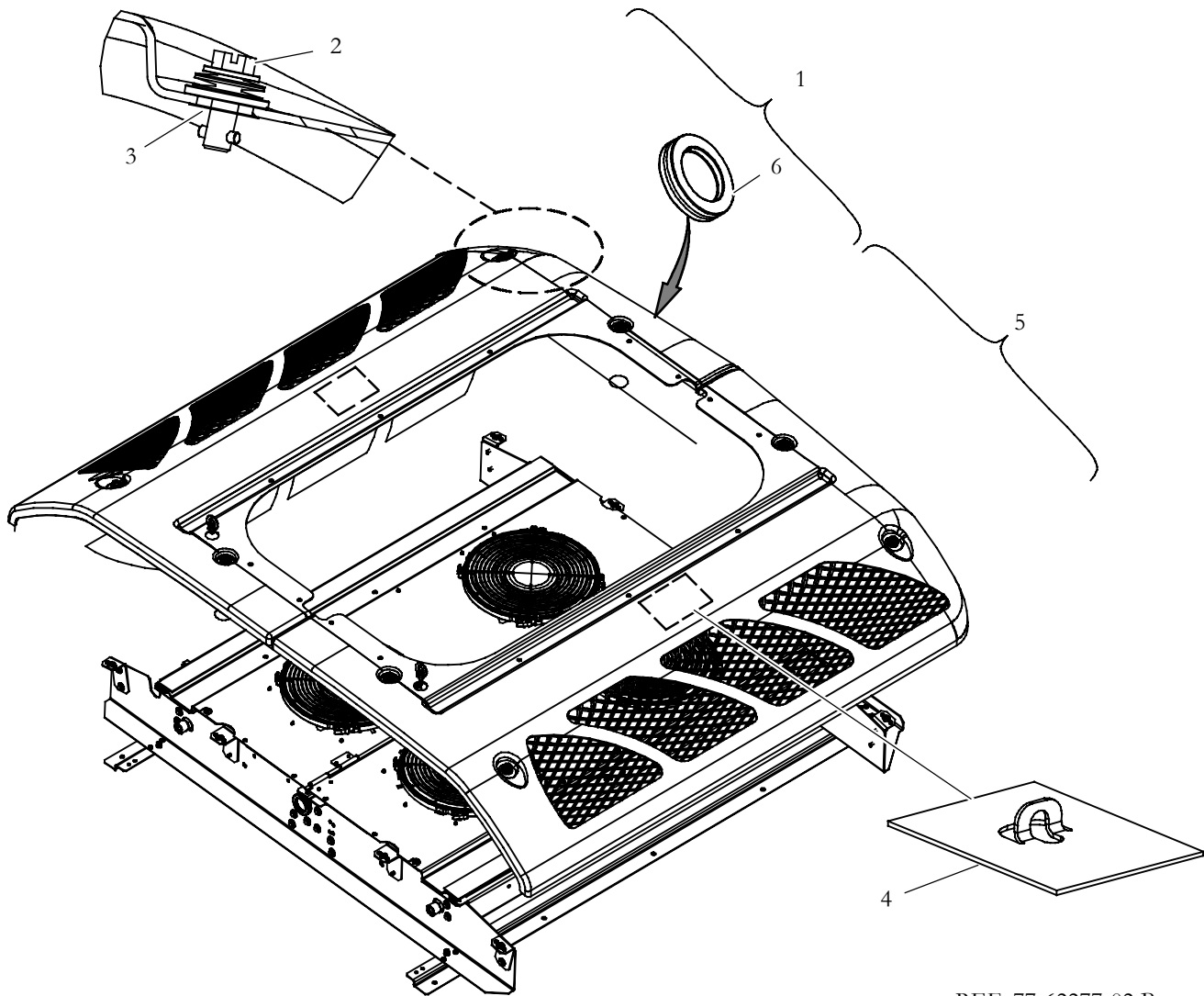


REF: 77-62277-00 B

Item	Part Number	Description	Qty
1	79-62153-00	Cover Assembly, Condenser, Right, R10M , Valspar White- Includes:	1
2	34-67009-00	Stud, Captive, 1/4 Turn, With Disc and Flat Washers	4
3	34-67025-00	Washer, Retaining, Steel	4
4	68-67165-00	Bracket, Rod, Cover Support	1
5	79-62153-01	Cover Assembly, Condenser, Left, R10M, Valspar White - Includes:	1
2	34-67009-00	Stud, Captive, 1/4 Turn, With Disc and Flat Washers	4
3	34-67025-00	Washer, Retaining, Steel	4
4	68-67165-00	Bracket, Rod, Cover Support	1
6	58-60302-05	Grommet, .083" (21.08) ID X 1.1" (27.94) OD X 0.08" (2.03) THK Panel	2



15.2 CONDENSER COVER KIT - Option 2- STANDARD R10M, VALSPAR WHITE (SKINS)

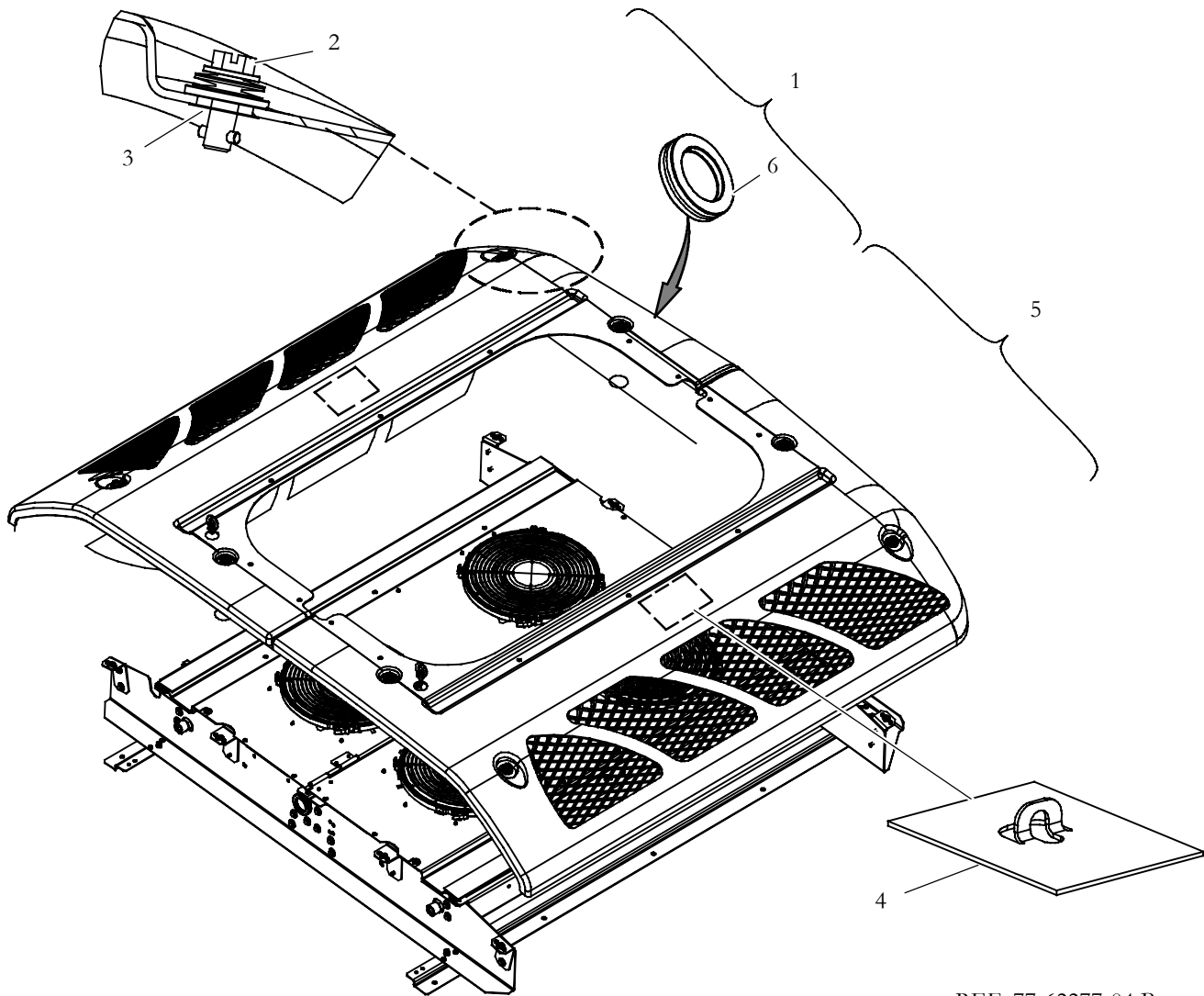


REF: 77-62277-02 B

Item	Part Number	Description	Qty
1	79-62153-04	Cover Assembly, Condenser, Right, R10M , Valspar White- Includes:	1
2	34-67009-00	Stud, Captive, 1/4 Turn, With Disc and Flat Washers	4
3	34-67025-00	Washer, Retaining, Steel	4
4	68-67165-00	Bracket, Rod, Cover Support	1
5	79-62153-05	Cover Assembly, Condenser, Left, R10M, Valspar White - Includes:	1
2	34-67009-00	Stud, Captive, 1/4 Turn, With Disc and Flat Washers	4
3	34-67025-00	Washer, Retaining, Steel	4
4	68-67165-00	Bracket, Rod, Cover Support	1
6	58-60302-05	Grommet, .083" (21.08) ID X 1.1" (27.94) OD X 0.08" (2.03) THK Panel	2



15.3 CONDENSER COVER KIT - Option 3- STANDARD R10M, VALSPAR FROST WHITE (SKINS)



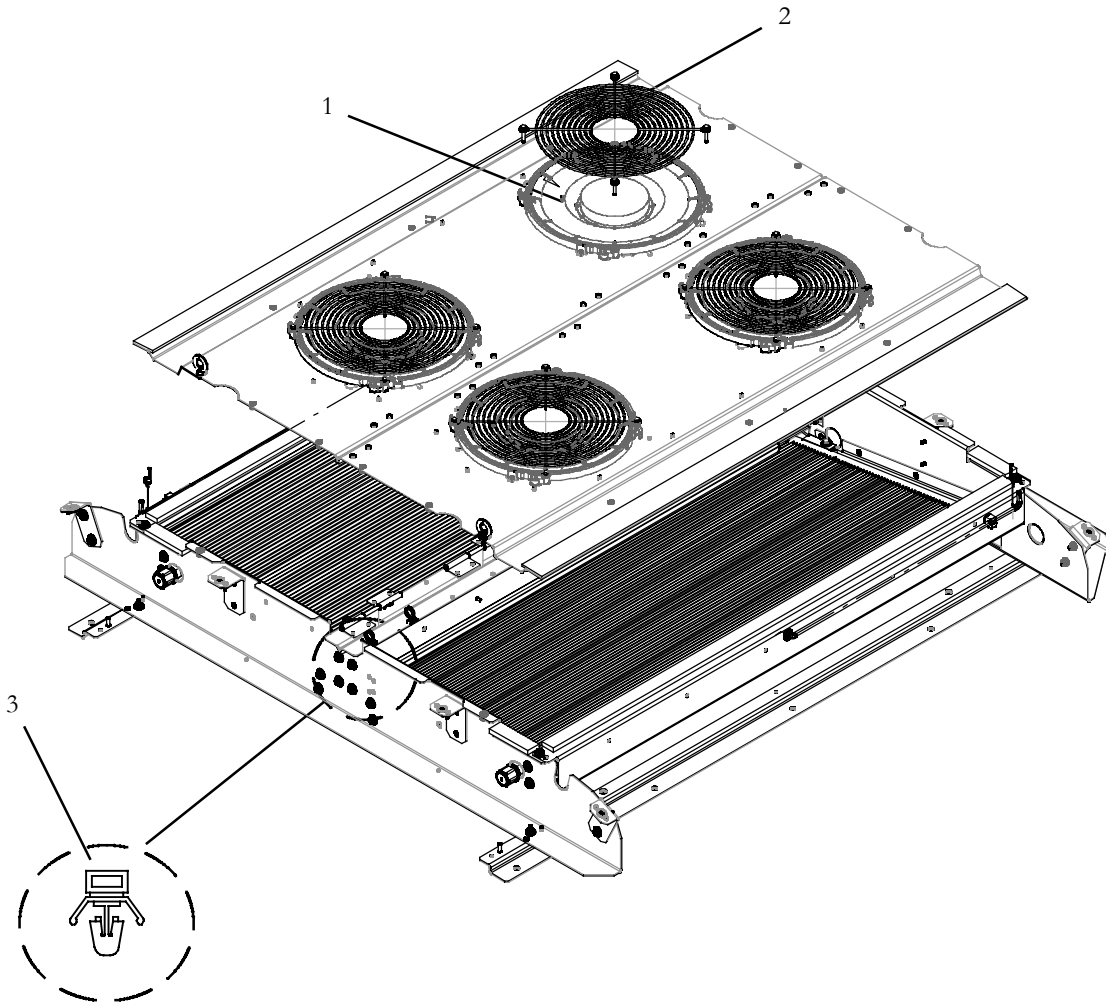
REF: 77-62277-04 B

Item	Part Number	Description	Qty
1	79-62153-08	Cover Assembly, Condenser, Left, R10M, Valspar Frost White - Includes:	1
2	34-67009-00	Stud, Captive, 1/4 Turn, With Disc and Flat Washers	4
3	34-67025-00	Washer, Retaining, Steel	4
4	68-67165-00	Bracket, Rod, Cover Support	1
5	79-62153-09	Cover Assembly, Condenser, Left, R10M, Valspar Frost White - Includes:	1
2	34-67009-00	Stud, Captive, 1/4 Turn, With Disc and Flat Washers	4
3	34-67025-00	Washer, Retaining, Steel	4
4	68-67165-00	Bracket, Rod, Cover Support	1
6	58-60302-05	Grommet, .083" (21.08) ID X 1.1" (27.94) OD X 0.08" (2.03) THK Panel	2



16 Condenser Fan Kits

16.1 Condenser Fan Kit -4 Brushless Motors: Option 1

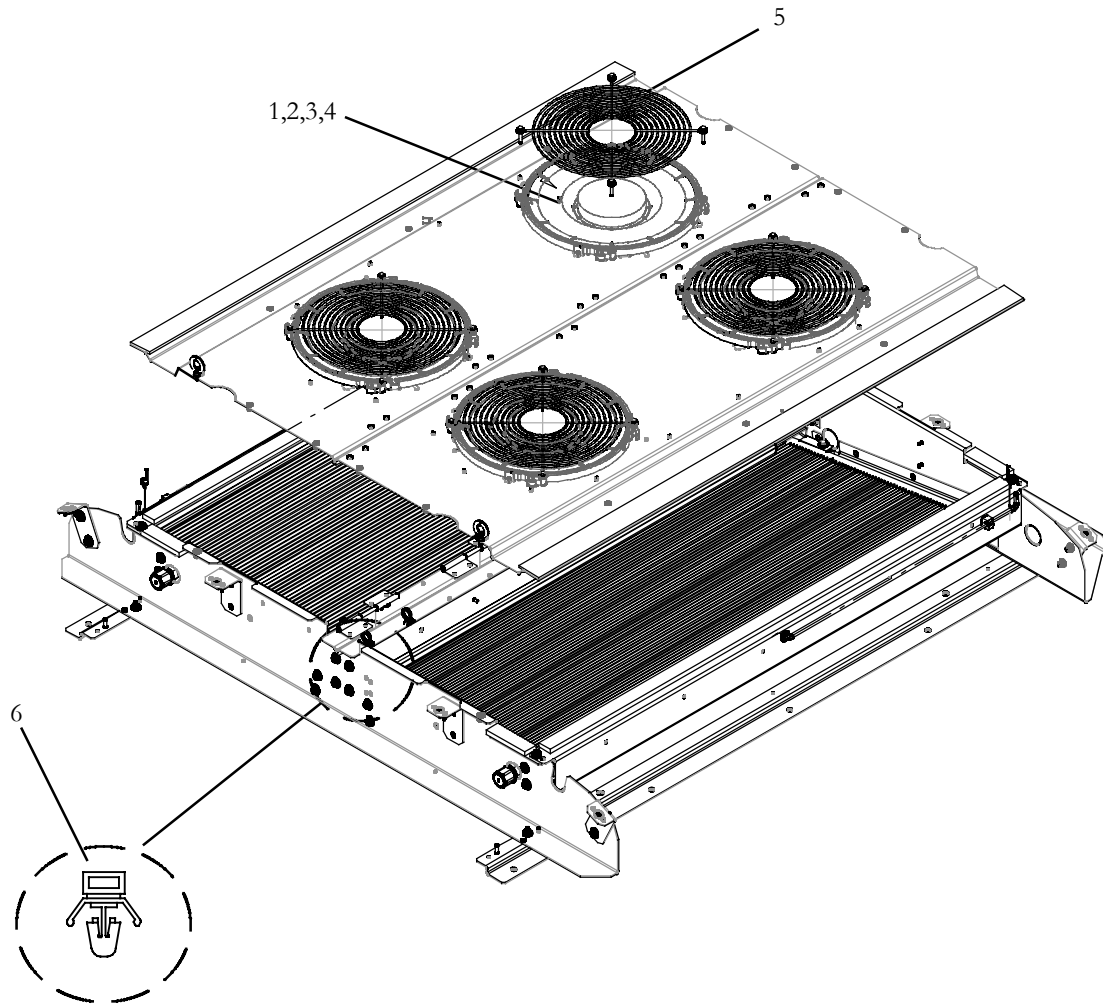


REF: 77-62258-02

Item	Part Number	Description	Qty
-	NSI	Fan Deck Assembly, Includes:	1
1	54-00634-00	Fan and Motor Assembly, Condenser, 24VDC Brushless Motors	4
2	73-67002-00	Grille, Condenser Fan	4
3	58-04315-00	Base Mounting, 0.25" (6.35) DIA MTG Hole	A/R



16.2 Condenser Fan Kit -4 Permanent Magnet Motors: Option 2

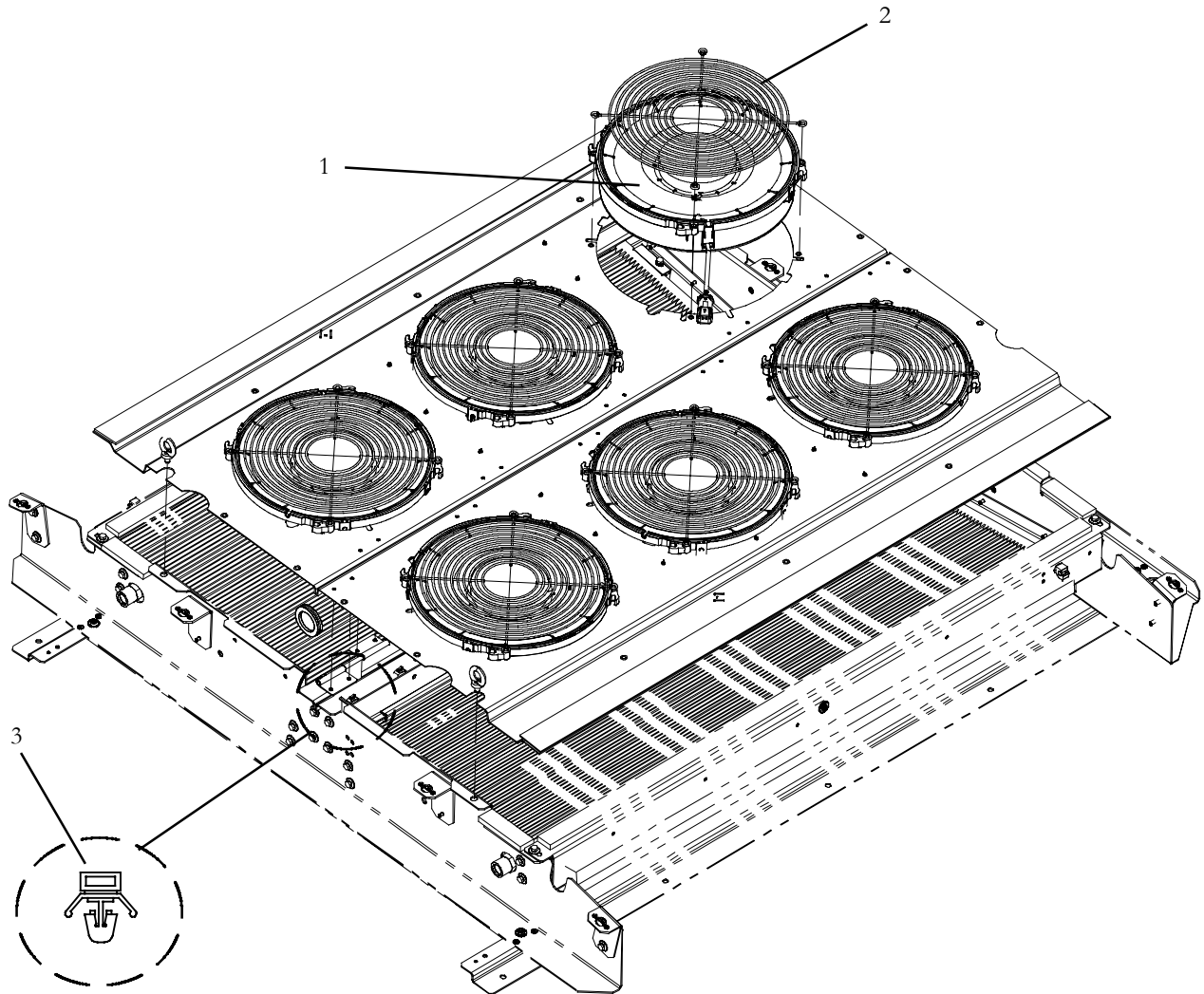


REF: 77-62258-04

Item	Part Number	Description	Qty
-	NSI	Fan Deck Assembly, Includes:	1
1	54-00622-00	Fan and Motor Assembly, Condenser, 24VDC Permanent Magnet Motors (Includes):	4
2	22-02392-00	2 Way Connector, Male	1
3	22-02393-00	Terminals, Male 14-16 AWG	2
4	22-02394-02	Cable Seals	2
5	73-67002-00	Grille, Condenser Fan	4
6	58-04315-00	Base Mounting, 0.25" (6.35) DIA MTG Hole	A/R



16.3 Condenser Fan Kit - 6 Brushless Motors: Option 3

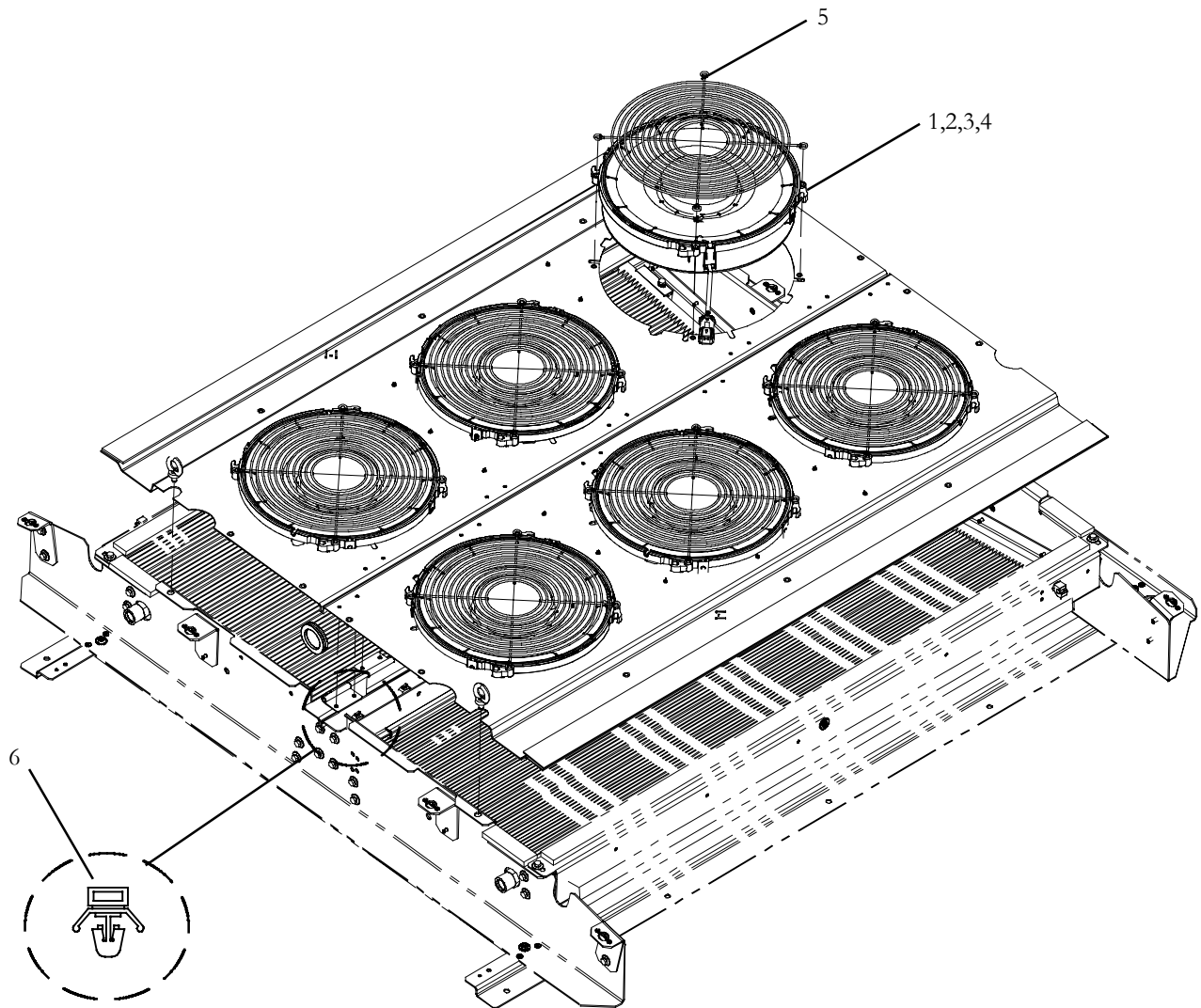


REF: 77-62258-05

Item	Part Number	Description	Qty
-	NSI	Fan Deck Assembly, Includes:	1
1	54-00634-00	Fan and Motor Assembly, Condenser, 24VDC Brushless Motors	6
2	73-67002-00	Grille, Condenser Fan	6
3	58-04315-00	Base Mounting, 0.25" (6.35) DIA MTG Hole	A/R



16.4 Condenser Fan Kit - 6 Permanent Magnet Motors: Option 4



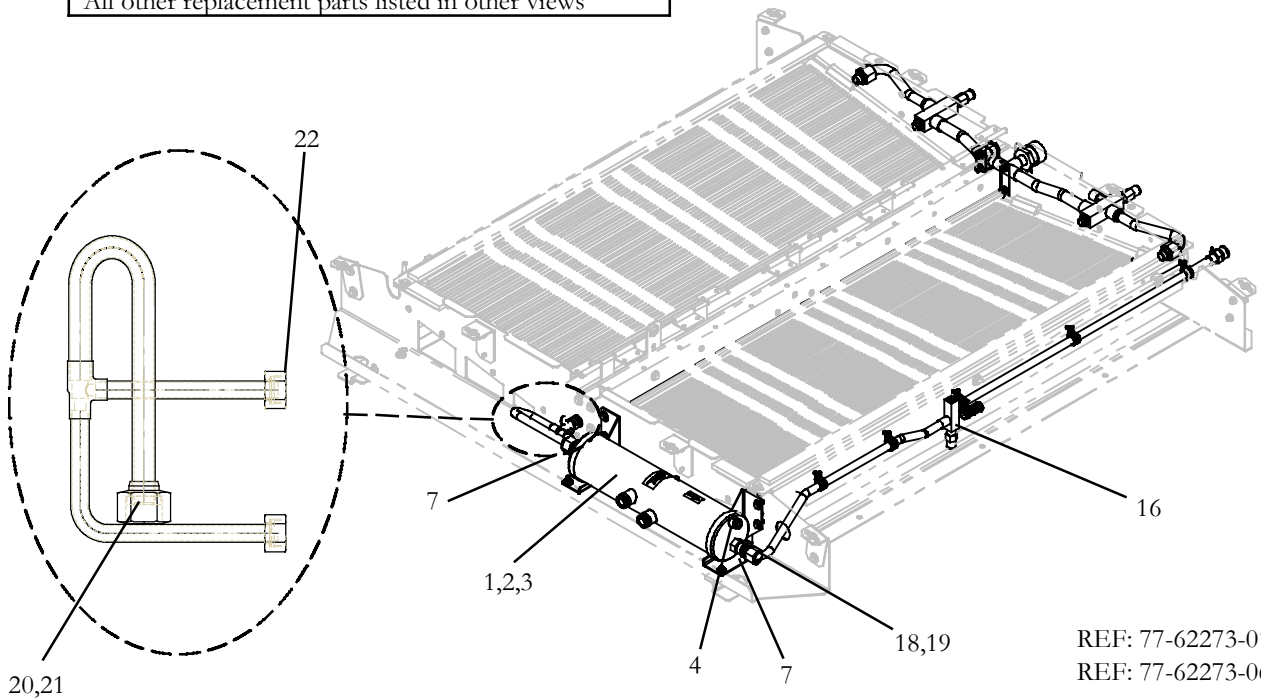
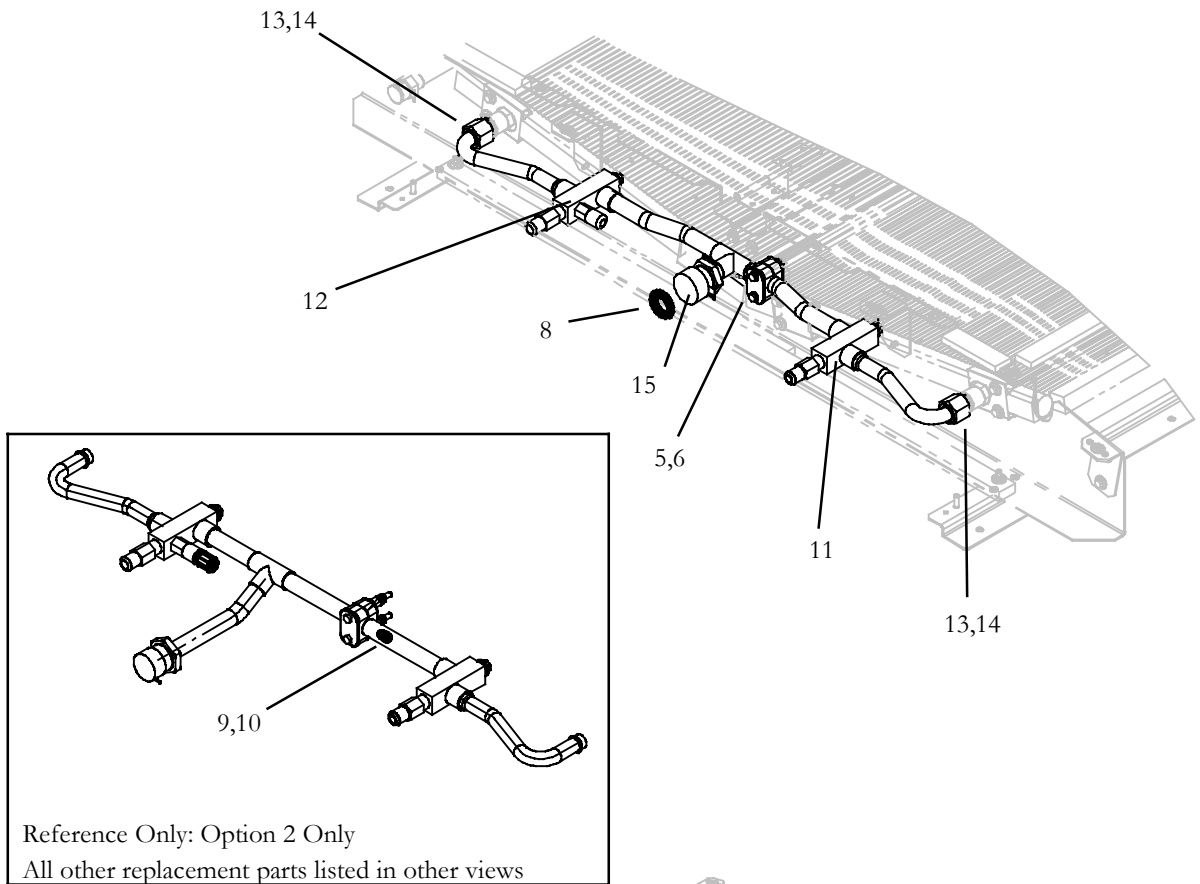
REF: 77-62258-07

Item	Part Number	Description	Qty
-	NSI	Fan Deck Assembly, Includes:	1
1	54-00622-00	Fan and Motor Assembly, Condenser, 24VDC PM Motors (Includes):	6
2	22-02392-00	2 Way Connector, Male	1
3	22-02393-00	Terminals, Male 14-16 AWG	2
4	22-02394-02	Cable Seals	2
5	73-67002-00	Grille, Condenser Fan	6
6	58-04315-00	Base Mounting, 0.25" (6.35) DIA MTG Hole	A/R



17 CONDENSER CONNECTION KIT

17.1 Condenser Connection Kit - Single Circuit: Options 1,2 & 3



REF: 77-62273-01
REF: 77-62273-06
REF: 77-62273-07

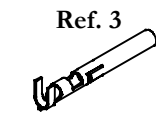
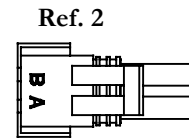
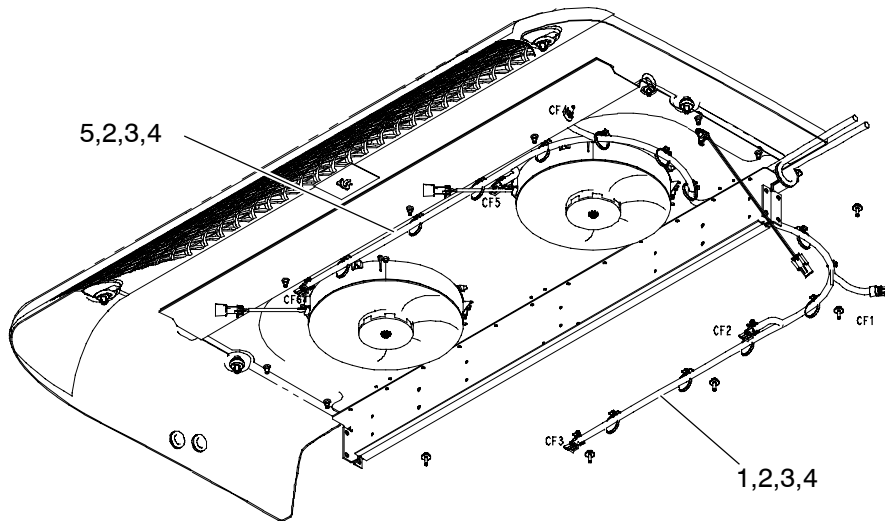
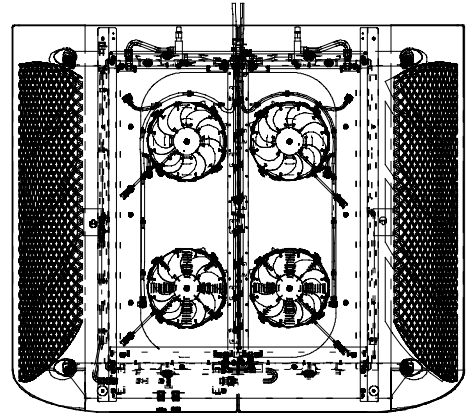
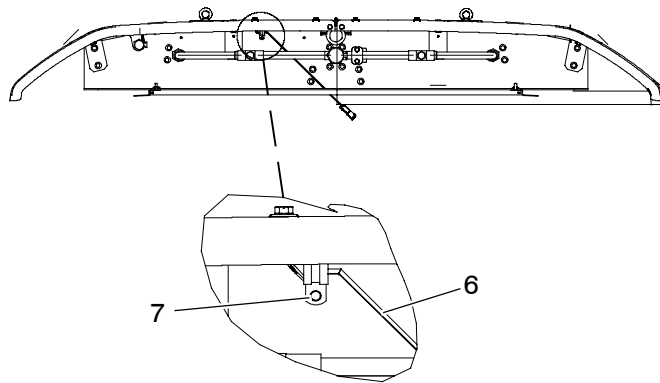


17.1 CONDENSER CONNECTION KIT: Options 1,2 & 3 (Continued)			
Item	Part Number	Description	Qty
1	Y26-00005-00	Receiver Assembly, Refrigerant - Includes: Option 1 Only	1
3	14-00111-00	Sightglass	2
1	Y26-00005-01	Receiver Assembly, Refrigerant - Includes: Option s 2 & 3 Only	1
2	AC101-203	Sightglass, w/Moisture Indicator	1
3	14-00111-00	Sightglass	1
4	14-01032-01	Plug, Fusible, Safety	1
5	44-00285-60	Clamp	1
6	44-00285-89	Cover	1
7	42-00243-03	O-Ring, .614" (15.59) ID x .07" (1.78) THK	2
8	42-00243-00	O-Ring, .921" (23.39) ID x .139" (3.53) THK	1
9	40-60159-00	Valve, Solder x 1/4" Schrader- Includes: Option 2 Only	1
10	40-60087-00	Core, Schrader	1
11	40-00501-11	King Valve, 7/8" ODF x 7/8" ODF	1
12	40-00501-04	King Valve, 7/8" ODF x 7/8" ODF, w/134a Port	1
13	42-00243-28	O-Ring, 0.63" ID x 0.79" OD	2
14	40-67014-03	Nut, Hex, ORP - 3/4"	2
15	40-00491-00	Fitting, 7/8" ODF x 1-7/16" ORS	1
16	40-00501-12	King Valve, 134a 5/8"	1
17	40-60007-04	Fitting, ORFS x 3/4" ODF	1
18	40-00503-03	Collar, Tube, ORS x 5/8"	1
19	34-06121-03	Nut, Hex, 5/8" ORS	1
20	40-60009-04	Nut, ORS, #10 x 5/8" OD Tube	1
21	40-60008-04	Collar, 5/8" ORS Tube	1
22	40-62125-08	Nut, Hex, ORP 1/2"	2
23			1



18 CONDENSER ELECTRICAL KIT

18.1 Condenser Electrical Kit, Permanent Magnet Motors (4 or 6 Motors): Option 1

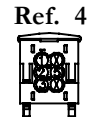
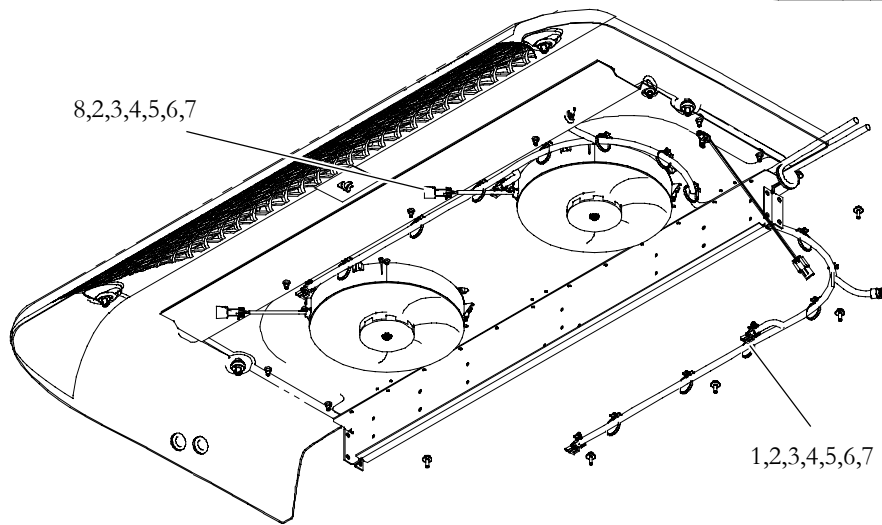
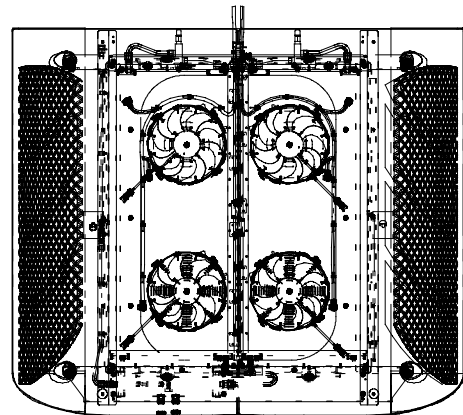
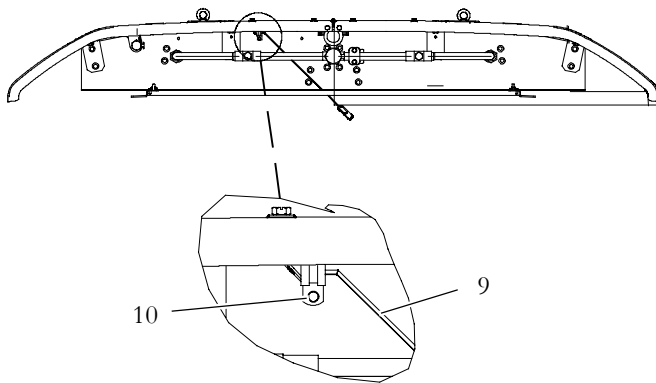


REF: 77-00270-00L

Item	Part Number	Description	Qty
1	NSI	Harness, AC353, G4, Permanent Magnet Motors - Includes:	1
2	22-01585-00	Connector, CF1, CF2, CF3	3
3	22-01566-00	Terminal, Female	6
4	22-02394-00	Seal	6
5	NSI	Harness, AC353, G4, Permanent Magnet Motors - Includes:	1
2	22-01585-00	Connector, CF4, CF5, CF6	3
3	22-01566-00	Terminal, Female	6
4	22-02394-00	Seal	6
6	58-04315-00	Base, Mounting, 0.250" (6.35) Diameter Mounting Hole, Nylon	2
7	Y25-00011-00	Ambient Temperature Sensor Assembly (F/A)	1



18.2 Condenser Electrical Kit -Brushless Motors (4 or 6 Motors): Option 2

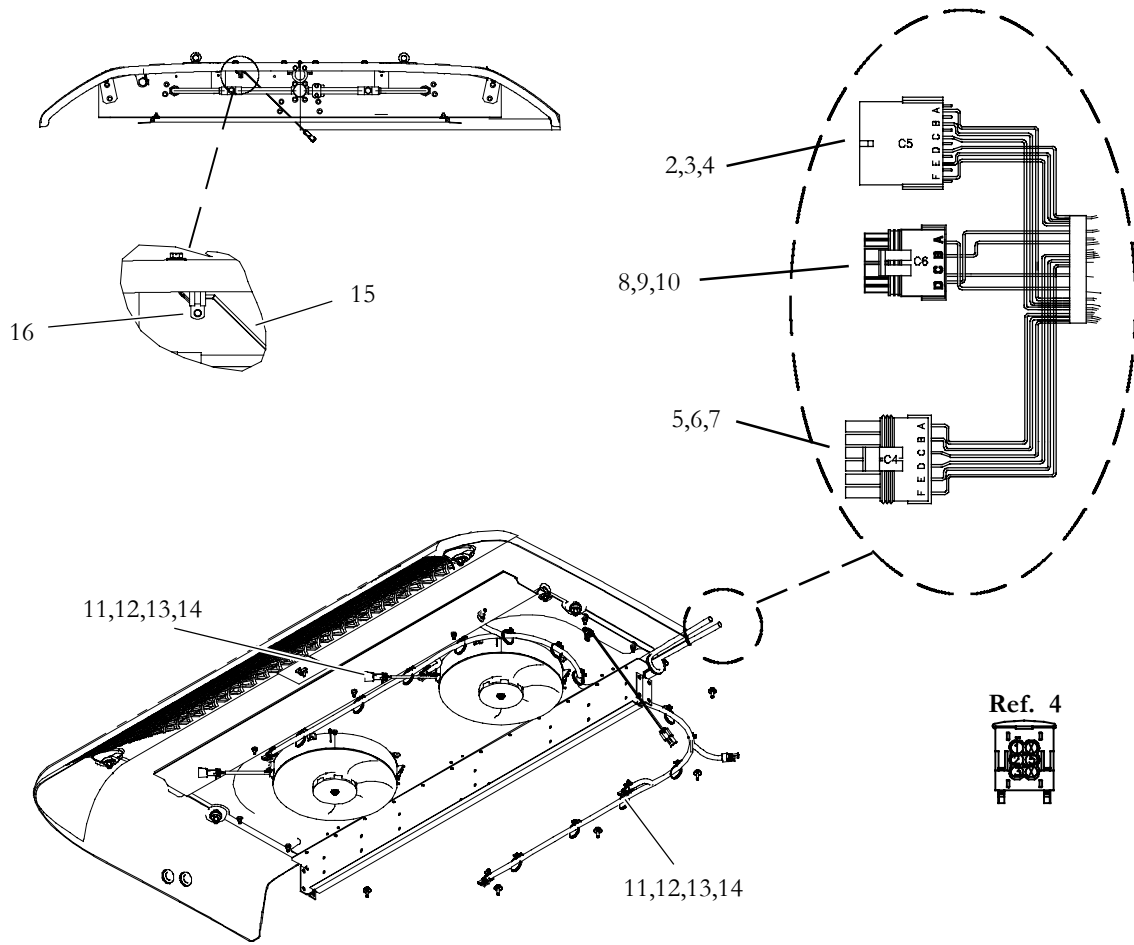


REF: 77-00270-01 L

Item	Part Number	Description	Qty
1	NSI	Harness, AC353, G4, Brushless Motors - Includes:	1
2	22-50099-41	Connector, X13	1
3	22-50099-41A	Terminal, X13	A/R
4	22-50099-40	Connector, XM17, XM18, XM19	3
5	22-50099-40A/B	Terminal, XM17, XM18, XM19	A/R
6	22-50099-40C/D	Wire Seal, XM17, XM18, XM19	A/R
7	22-50099-40E	Terminal Cavity Plug, XM17, XM18, XM19	A/R
8	NSI	Harness, AC353, G4, Brushless Motors - Includes:	1
2	22-50099-41	Connector, X14	1
3	22-50099-41A	Terminal, X14	A/R
4	22-50099-40	Connector, XM20, XM21, XM22	3
5	22-50099-40A/B	Terminal, XM20, XM21, XM22	A/R
6	22-50099-40C/D	Wire Seal, XM20, XM21, XM22	A/R
7	22-50099-40E	Terminal Cavity Plug, XM20, XM21, XM22	A/R
9	58-04315-00	Base, Mounting, 0.250 Diameter Mounting Hole, Nylon	2
10	Y25-00011-00	Ambient Temperature Sensor	1



18.3 Condenser Electrical Kit -Brushless Motors (4 or 6 Motors): Option 3

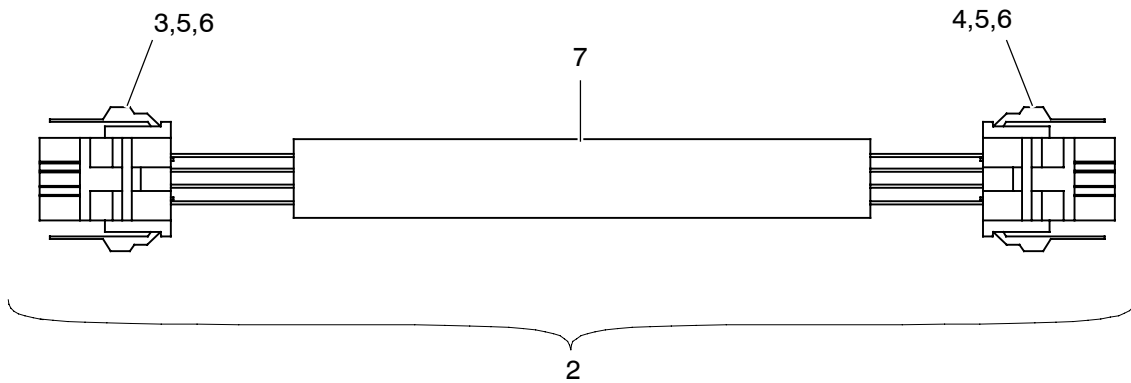
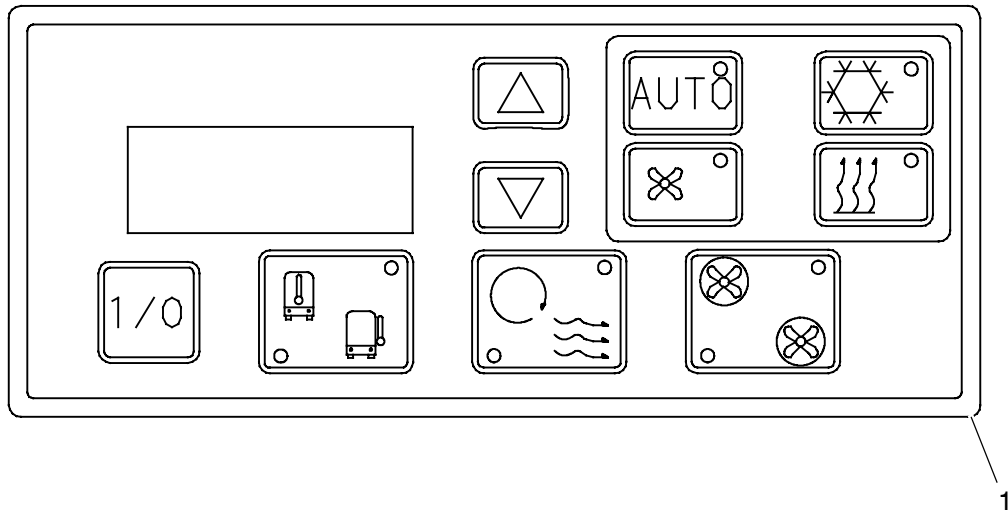


Kit 77-00270-02 L

Item	Part Number	Description	Qty
1	NSI	Harness, AC353, G4, Brushless Motors - Includes:	1
2	22-02392-02	Connector, 6 Position WP, C5	1
3	22-02393-00	Terminal, Male	A/R
4	22-02394-00	Seal, Wire	A/R
5	22-01585-03	Connector, 6 Position WP, C4	1
6	22-01566-00	Terminal, Female	A/R
7	22-02394-00	Seal, Wire	A/R
8	22-01585-04	Connector, 4Position WP, C6	1
9	22-01566-00	Terminal, Female	A/R
10	22-02394-00	Seal, Wire	A/R
11	22-50099-40	Connector, XM17, XM18, XM19,XM20, XM21, XM22	6
12	22-50099-40A/B	Terminal, XM17, XM18, XM19,XM20, XM21, XM22	A/R
13	22-50099-40C/D	Wire Seal, XM17, XM18, XM19,XM20, XM21, XM22	A/R
14	22-50099-40E	Terminal Cavity Plug, XM17, XM18, XM19,XM20, XM21, XM22	A/R
15	58-04315-00	Base, Mounting, 0.250 Diameter Mounting Hole, Nylon	2
16	Y25-00011-00	Ambient Temperature Sensor	1



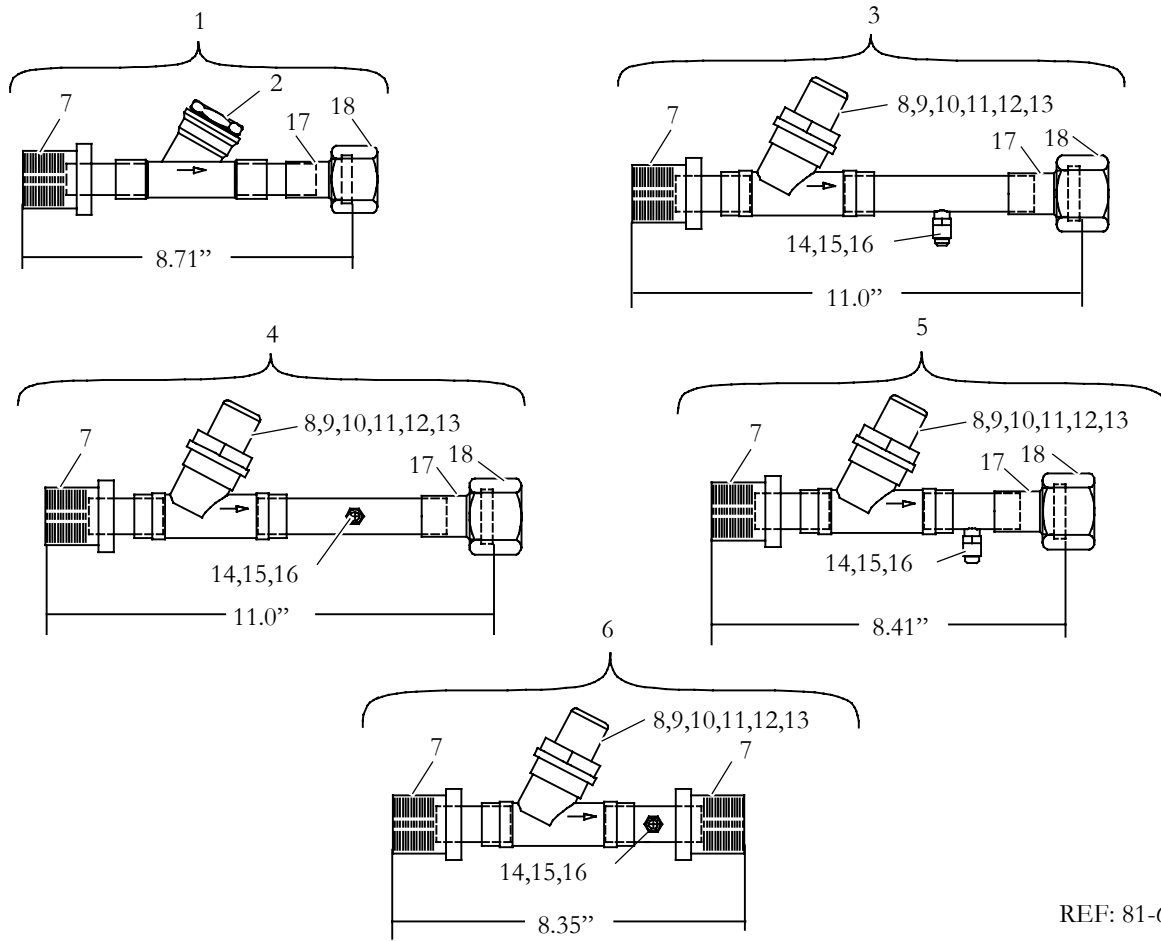
19 MICROMATE CONTROL PANEL and HARNESS



Item	Part Number	Description	Qty
1	12-00391-03	Module, Drivers Display (Micromate Control Panel) (1200 Baud Rate)	1
	12-00391-06	Module, Drivers Display (Micromate Control Panel) (2400 Baud Rate)	1
2	22-62063-01	Wire Harness, 320 Inches (Used With Micromate As A Diameter-gnostic Tool, Connects To J2 Port On Controller Logic Module) - Includes:	1
	22-62063-02	Wire Harness, 120 Inches (Used With Micromate As A Diameter-gnostic Tool, Connects To J2 Port On Controller Logic Module) - Includes:	
3	22-62026-00	Connector, Rectangular, 6 Pin, Brick Red (MCP)	1
4	22-50145-00	Connector, Plug, 4 Pin	1
5	22-50152-00	Terminal, Socket, Female (MCP)	8
6	22-02394-02	Seal, Cable, Green	8
7	58-00848-00	Tubing, Split, Corrugated, 1/2" (12.7) ID x 25' (7.62 meters) Long	1



20 CHECK VALVE ASSEMBLIES



REF: 81-62004 H

Item	Part Number	Description	Qty
1	NSA	Valve Assembly, Check - Includes:	1
2	14-00029-07	Valve, Check, 7/8 ODF	1
3	NSA	Valve Assembly, Check - Includes:	1
4	NSA	Valve Assembly, Check - Includes:	1
5	NSA	Valve Assembly, Check - Includes:	1
6	NSA	Valve Assembly, Check - Includes:	1
7	40-00491-00	Fitting, ORS, 7/8 x 1 7/16-12	1
8	14-00281-04	Valve, Check, 7/8 ODF - Includes:	1
9	14-50050-01	Spring and Piston/Seat Assembly - Includes:	1
10	73-50006-00	Spring, Check Valve, SST	1
11	16-03301-00	Gasket, Check Valve	1
12	14-50093-00	Disk, Spacer, Check Valve Cap	1
13	14-50051-00	Cap, Check Valve	1
14	40-01124-00	Body, Valve, Brass, 1/4 SAE Flare - Includes:	2
15	14-00351-00	Core, Access Valve (Nickel Plated)	1
16	DD19CA061	Cap, Seal Flare, 1/4 Inch	1
17	34-06121-00	Nut, Hex, ORS Braze (1-7/16-12 Threads)	1
18	40-00503-00	Collar,Tube, 7/8 ORS, Nickel Plated	1



INDEX

0

02-62001-00	12, 14
02-62001-01	1, 17, 19
08-67022-00	7
08-67023-00	25
08-67023-01	25
08-67026-02	44

1

10-00286-13	37, 38, 40, 41, 42, 43
12-00352-00	34
12-00391-06	57
12-00392-15	43
12-00392-18	37, 38
12-00393-00	37, 43
12-00486-01	38, 40, 41, 42
12-00495-02SV	37, 38, 40, 41, 42, 43
12-00659-01	40
12-00684-00	40
12-00693-04	41
12-00693-07	41
12-00693-08	42
12-00391-03	57
14-00026-04	9
14-00029-07	58
14-00111-00	53
14-00194-04	26, 27
14-00236-00	8, 10
14-00236-50	8, 10
14-00236-51	8, 10
14-00246-01	9
14-00246-10	9
14-00281-04	58
14-00326-05	8, 9, 10
14-00343-01	8, 9, 10
14-00351-00	12, 14, 15, 19, 58
14-01032-01	53
14-01110-02	26, 27
14-50036-00	26, 27

14-50050-01	58
14-50051-00	58
14-50093-00	58
15-15032	6
16-03301-00	58

2

22-01563-00	42
22-01563-04	37, 43
22-01563-05	38, 39, 40
22-01566-00	54
22-01585-00	54
22-02336-01	41, 42
22-02336-04	41, 42
22-02392-00	49, 51
22-02392-00SV	34
22-02393-00	49, 51
22-02393-01	34
22-02394-00	54
22-02394-01	34
22-02394-02	49, 51
22-04116-00	40
22-50098-91	38, 39, 40, 41, 42
22-50098-91A	38, 39, 40, 41, 42
22-50099-40	55, 56
22-50099-40A/B	55, 56
22-50099-40C/D	55, 56
22-50099-40E	55, 56
22-50099-41	55
22-50099-41A	55
22-50236-00	37, 38, 43
22-60268-02	9
22-62036-00	38, 39, 40, 41, 42
22-62038-00	38
22-62039-01	38, 39, 40, 41, 42
22-62040-00	38, 40, 41, 42
22-62180-00	34
22-62180-01	34
22-02394-02	57
22-50145-00	57



INDEX

22-50152-00	57
22-62026-00	57
22-62063-01	57
22-62063-02	57

3

34-00373-05	20, 21, 22, 24
34-00373-15	19
34-00373-61	12, 14
34-06062-70	12, 14, 17, 19
34-06121-00	58
34-06121-03	53
34-06121-05	20, 21, 22
34-60098-66	44
34-62000-00	37, 38, 43
34-62016-00	44
34-67009-00	29, 30, 31, 32, 33, 45, 46, 47
34-67022-00	2
34-67025-00	29, 30, 31, 32, 33, 45, 46, 47
35-0008	41, 42
35-0011	41, 42

4

40-00491-00	12, 14, 15, 53, 58
40-00491-01	19
40-00491-02	19
40-00491-03	12, 14, 15, 17
40-00491-05	19
40-00491-09	8
40-00491-12	23
40-00501-04	53
40-00501-11	53
40-00501-12	53
40-00503-00	58
40-00503-03	8, 9, 53
40-00503-05	20, 21, 22, 23
40-00590-03	12, 14, 15, 17, 19
40-01124-00	19, 58
40-60007-03	15

40-60007-04	53
40-60008-04	8, 10, 53
40-60009-03	23
40-60009-04	8, 9, 10, 22, 53
40-60010-02	23
40-60010-03	8
40-60019-04	9
40-60021-06	12
40-6008-09	22
40-60087-00	53
40-60145-00	8, 9, 22
40-60159-00	53
40-60159-01	12, 14
40-62032-02	15
40-62125-08	53
40-62129-00	15
40-64094-50	8, 9
40-64094-59	14, 15, 19
40-67004-00	12, 14, 15, 17, 19
40-67014-03	53
40-67038-00	25
42-00032-00	7
42-00243-00	12, 14, 15, 53
42-00243-01	12, 14, 15, 17, 19
42-00243-02	19
42-00243-03	7, 8, 9, 10, 22, 53
42-00243-04	8, 9, 10, 20, 21, 22, 23, 24
42-00243-09	23
42-00243-11	7
42-00243-28	53
42-62045-02	28
42-62161-00	5
42-67009-06	3
42-67021-01	3
42-67030-00	25
42-67040-01	1
42-67043-00	12, 14, 15, 17, 19
44-00285-60	53
44-00285-89	53
44-00318-00	27
44-62004-02	29, 30, 31, 32, 33



INDEX

44-62012-02	26
44-67008-00	4
44-67014-00	2, 44

5

54-00622-00	49, 51
54-00627-02	5
54-00634-00	48, 50
58-00511-08	37, 38, 43
58-00858-00	34
58-04315-00	5, 6, 48, 49, 50, 51, 54, 55, 56
58-60298-04	2, 26, 27
58-60298-05	2
58-60302-01	2, 44
58-60302-05	45, 46, 47
58-64105-02	8, 9
58-64105-04	15
58-67062-00	4
58-67062-01	5, 6
58-67076-02	3
58-00848-00	57

6

67-67013-00	5, 6
68-62967-00	6
68-67165-00	29, 30, 31, 32, 33, 45, 46, 47
68-67260-01	7

7

73-50006-00	58
73-67002-00	48, 49, 50, 51
73-67008-00	4
79-62111-00	31
79-62141-02	31
79-62142-00	29
79-62142-01	29
79-62142-04	30, 31, 33

79-62142-05	30, 31
79-62142-08	32
79-62142-09	32
79-62142-10	33
79-62153-00	45
79-62153-01	45
79-62153-04	46
79-62153-05	46
79-62153-08	47
79-62153-09	47
79-67073-00	4

8

86-67149-00	44
86-67150-00	44

A

AC101-203	53
AC201-600	39, 40, 41, 42
AC201-901	37, 38, 40, 41, 42, 43
AC201-931	37, 40, 41, 42, 43
AC301-244	26

D

DD19CA061	58
-----------	----

Y

Y24-00056-00	2
Y24-00057-00	44
Y25-00011-00	55, 56
Y26-00005-00	53
Y26-00005-01	53
Y26-00033-03	7
Y35-00001	37, 38, 39, 40, 41, 42
Y35-00005-00	39, 40, 41, 42
Y37-00007-00	27
Y38-00012-01	6

Every driver deserves the best possible vehicle climate with MCC products

MCC provides exceptional performance in mobile climate comfort.



www.mcc-hvac.com

Member of MCC Group • Certified ISO 9001 and ISO 14001.
Specifications subject to change without notice. MCC is a registered trademark.