



**Mobile Climate Control**

T-363PL Manual



**SERVICE PARTS**  
**For**  
**68H353G4-102**  
**Heat Only Unit**

**T-363PL**

REV. 09/2013



TABLE OF CONTENTS

INTRODUCTION ..... i

CONFIGURATION IDENTIFICATION ..... i

ORDERING INSTRUCTIONS ..... i

GENERAL NOTES ..... i

Table 1-1 Option Legend ..... ii

Table 1-2 Option Table ..... ii

1 EVAPORATOR COVER KITS ..... 1

    1.1 Evaporator Cover Kit, Standard (R10M) : OPTION 1 ..... 1

2 EVAPORATOR HOUSING KIT ..... 2

    2.1 Evaporator Housing Kit (All Models): OPTION 1 ..... 2

    2.2 Evaporator Housing Assembly: OPTION 1 ..... 3

    2.2 Evaporator Housing Assembly (Continued): OPTION 1 ..... 4

    2.2 Air Exchange Kit - 25%: OPTION 1 ..... 5

3 EVAPORATOR BLOWER KITS ..... 6

    3.1 Evaporator Blower Kit, (6) Brushless Motors (24V): OPTIONS 1,2, & 3 ..... 6

4 EVAPORATOR REFRIGERANT & CONNECTION KITS -Block-Off Kits : OPTION 1 ..... 7

5 HEATING KITS ..... 8

    5.1 HEATING COIL KIT- 2 ROW: OPTION 1 ..... 8

    5.2 CONNECTION KIT - HEATING, Left W/Solenoid and 4 PLY HOSE: OPTION 1 ..... 9

    5.3 CONNECTION KIT - HEATING, Right W/Solenoid and 4 PLY HOSE: OPTION 2 ..... 10

6 EVAPORATOR FILTER KIT (STANDARD): ALL MODELS ..... 11

7 EVAPORATOR ELECTRICAL COMPONENTS (COMMON TO ALL MODELS) ..... 12

    7.1 Electrical Components H353G4- EBM Brushless ..... 12

8 EVAPORATOR CONTROL PANELS ..... 13

    8.1 Control Panel-H353G4 EBM Brushless-Multiplex Volvo: OPTION 3 & 4 ..... 13

    8.1 Control Panel-H353G4 EBM Brushless-Multiplex Volvo: OPTION 3 & 4 ..... 14

    8.2 Control Panel-H353G4 EBM Brushless-Multiplex Volvo: OPTION 1 ..... 15

    8.1 Control Panel-H353G4 EBM Brushless-Multiplex Volvo: OPTION 1 ..... 16

    8.3 Control Panel-H353G4 PM Motors (Brushed) - Multiplex Volvo: OPTION 2 ..... 17

    8.1 Control Panel-H353G4 PM Motors (Brushed) - Multiplex Volvo: OPTION 2 ..... 18



## INTRODUCTION

### INTRODUCTION

The Mobile Climate Control model 68H353G4-102 series units are a heat only rooftop unit of lightweight frame construction, designed to be installed on the vehicle roof.

### CONFIGURATION IDENTIFICATION

Unit identification information is provided on a plate located inside the evaporator section. The plate provides the unit model number, the unit serial number and the unit parts identification number (PID). The model number identifies the overall unit configuration while the PID provides information on specific optional equipment and differences in detailed parts.

### ORDERING INSTRUCTIONS

All orders and inquiries for parts must include: Unit Serial Number, Part No., PID number, description of part as shown on list and quantity required. Parts can be ordered by going to the following Website:

[www.mcc-hvac.com](http://www.mcc-hvac.com)

### GENERAL NOTES

To find replacement parts, determine major group in which replacement part is located. Consult table of contents for the appropriate page for the illustrated breakdown of the replacement part. If options are listed for the group in which the part is located, consult Table 1-2 to identify the option for your unit.

The following letter designations are used to classify parts throughout this list.

A/R *As Required*

NSA *Not Stock Assembly* - Order components listed under the assembly.

NSI *Not Stock Item* - Item may not be available or require extended lead time to acquire.

NSS *Not Sold Separately* - Order next higher assembly or kit.

P-- *Suffix P--* added to part number means part is available in packaged quantity only.

PL *Purchase Locally.*

SST *Stainless Steel* - 300 Series unless otherwise specified.

SV *Suffix SV* added to part number designates service replacement part.

NS *Not Shown* on illustration.



**Table 1-1 Option Legend**

OPTION	DESCRIPTION
<b>Evaporator Skins Kit</b>	
1	Cover (R10M)
<b>Evaporator Housing Kit</b>	
1	Base w/Spoiler Brackets
<b>Air Exchange Kit</b>	
1	Base w/Spoiler Brackets
<b>Evaporator Blower Kit</b>	
1	24 Volt With 6 Brushless Motors
2	24 Volt With 6 Brushed Motors
3	24 Volt With 6 Brushless Motors (w/diagnostic)
<b>Evaporator Refrigerant Kit</b>	
1	4 Row Coil Kit (Block Off Kit)

OPTION	DESCRIPTION
<b>Evaporator Connection Kit -Suction/Discharge</b>	
1	Block Off Plate- Right
<b>Heater Kit</b>	
1	2 Row
<b>Heating Connection Kit</b>	
1	Left- w/Solenoid, 4 Ply
2	Right- w/Solenoid, 4 Ply
<b>Electrical Kit</b>	
1	Brushless-Multiplex
2	Brushed-Multiplex
3	Brushless-Multiplex w/dianostic-Left
4	Brushless-Multiplex w/dianostic-Right
<b>Filter Kit</b>	
1	Standard

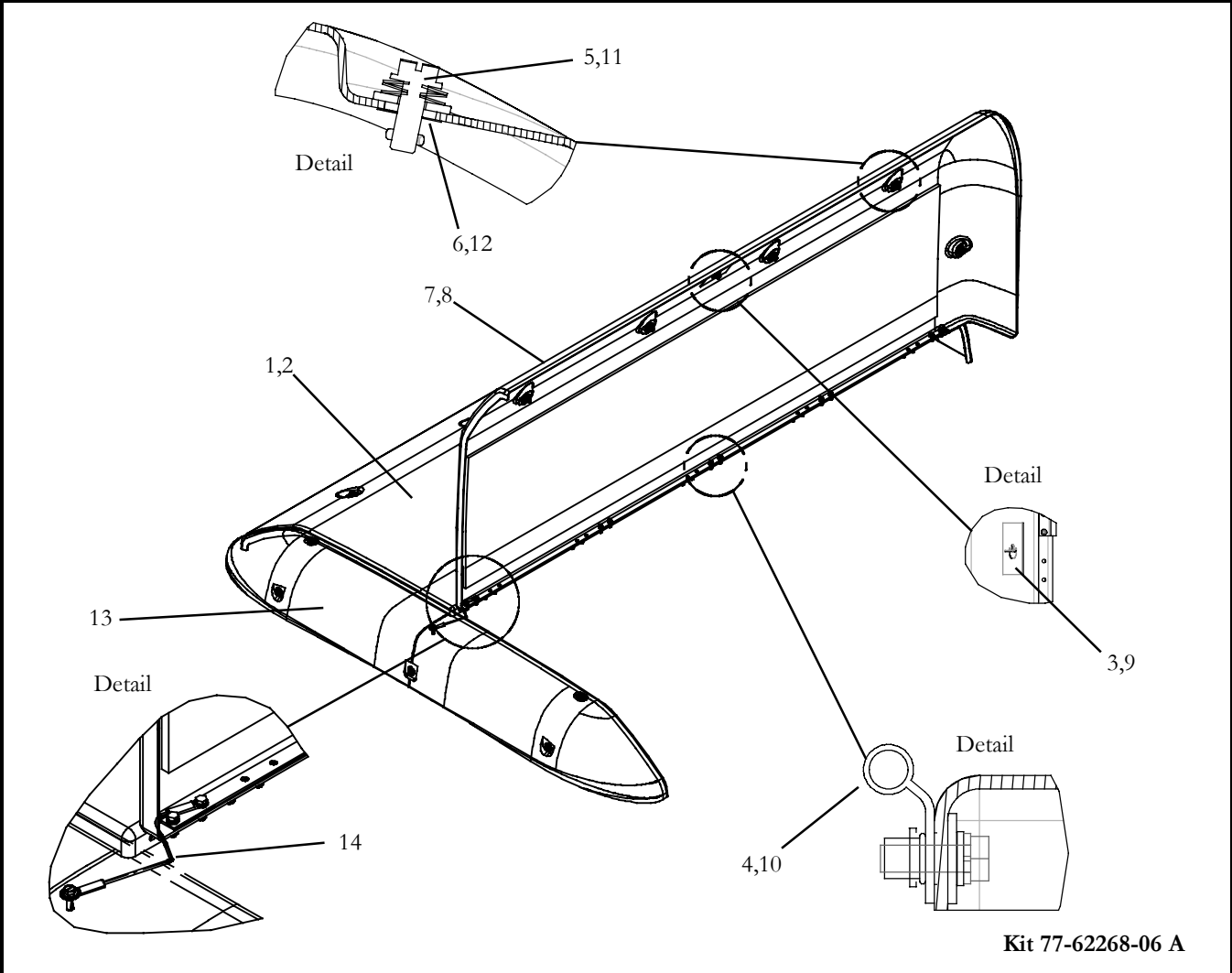
**Table 1-2 Option Table**

MODEL	Evaporator Cover/Skins Kit	Evaporator Housing Kit	Air Exchange Kit	Evaporator Blower Kit	Evaporator Refrigerant Kit	Evaporator Connection Kit S/D	Heater Kit	Heater Connection Kit	Electrical Kit	Filter Kit
68H353G4-102										
-00	1	1	1	3	1	1	1	1	3	1
-01	1	1	1	2	1	1	1	1	2	1
-02	1	1	1	1	1	1	1	1	1	1
-03	1	1	1	3	1	1	1	2	4	1



**1 EVAPORATOR COVER KITS**

**1.1 Evaporator Cover Kit, Standard (R10M) : OPTION 1**



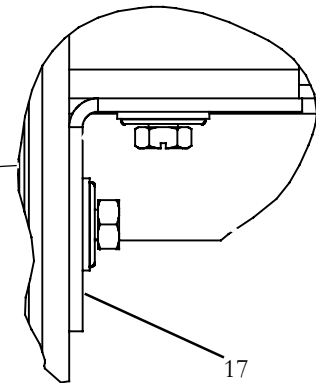
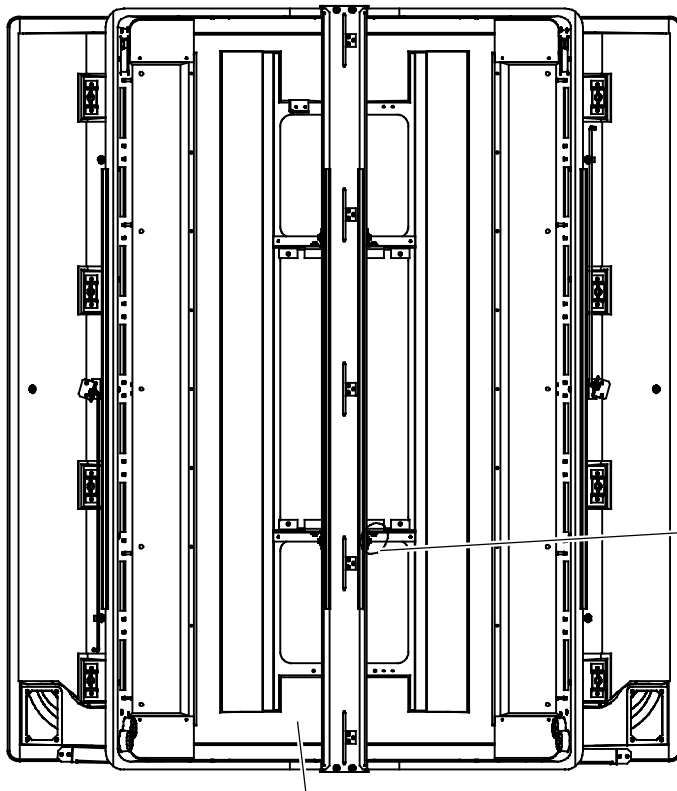
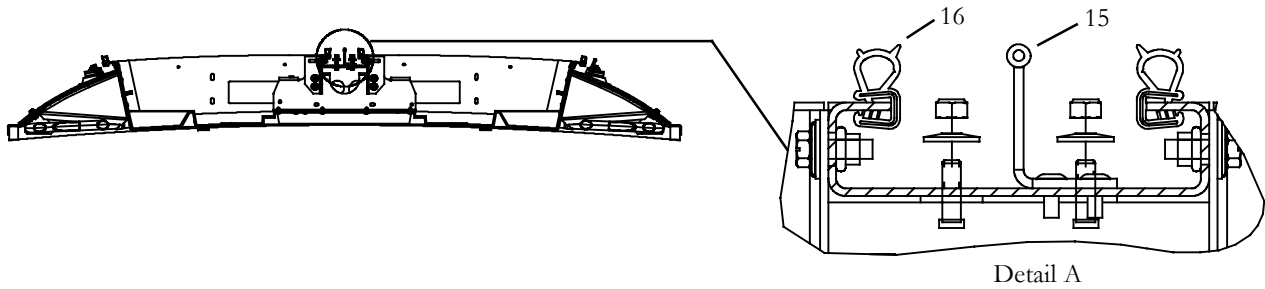
**Kit 77-62268-06 A**

Item	Part Number	Description	Qty
1	79-62142-04	Cover Assembly, Evaporator, <b>Right</b> , R10M - Includes:	1
2	NSI	Cover, Evaporator, <b>Right</b> , R10M	1
3	68-67165-00	Bracket, Rod, Cover Support	1
4	44-62004-02	Half Hinge , Cover, Evaporator	5
5	34-67009-00	Stud, Captive, 1/4 Turn, With Disc and Flat Washers	5
6	34-67025-00	Washer, Retaining, Steel	5
7	79-62142-05	Cover Assembly, Evaporator, <b>Left</b> , R10M - Includes:	1
8	NSI	Cover, Evaporator, <b>Left</b> , R10M - Includes	1
9	68-67165-00	Bracket, Rod, Cover Support	1
10	44-62004-02	Half Hinge , Cover, Evaporator	5
11	34-67009-00	Stud, Captive, 1/4 Turn, With Disc and Flat Washers	5
12	34-67025-00	Washer, Retaining, Steel	5
13	79-62141-02	Spoiler, H353 (R10M)	1
14	79-62111-00	Cable Assembly, Safety	2



2 EVAPORATOR HOUSING KIT

2.1 Evaporator Housing Kit (All Models): OPTION 1

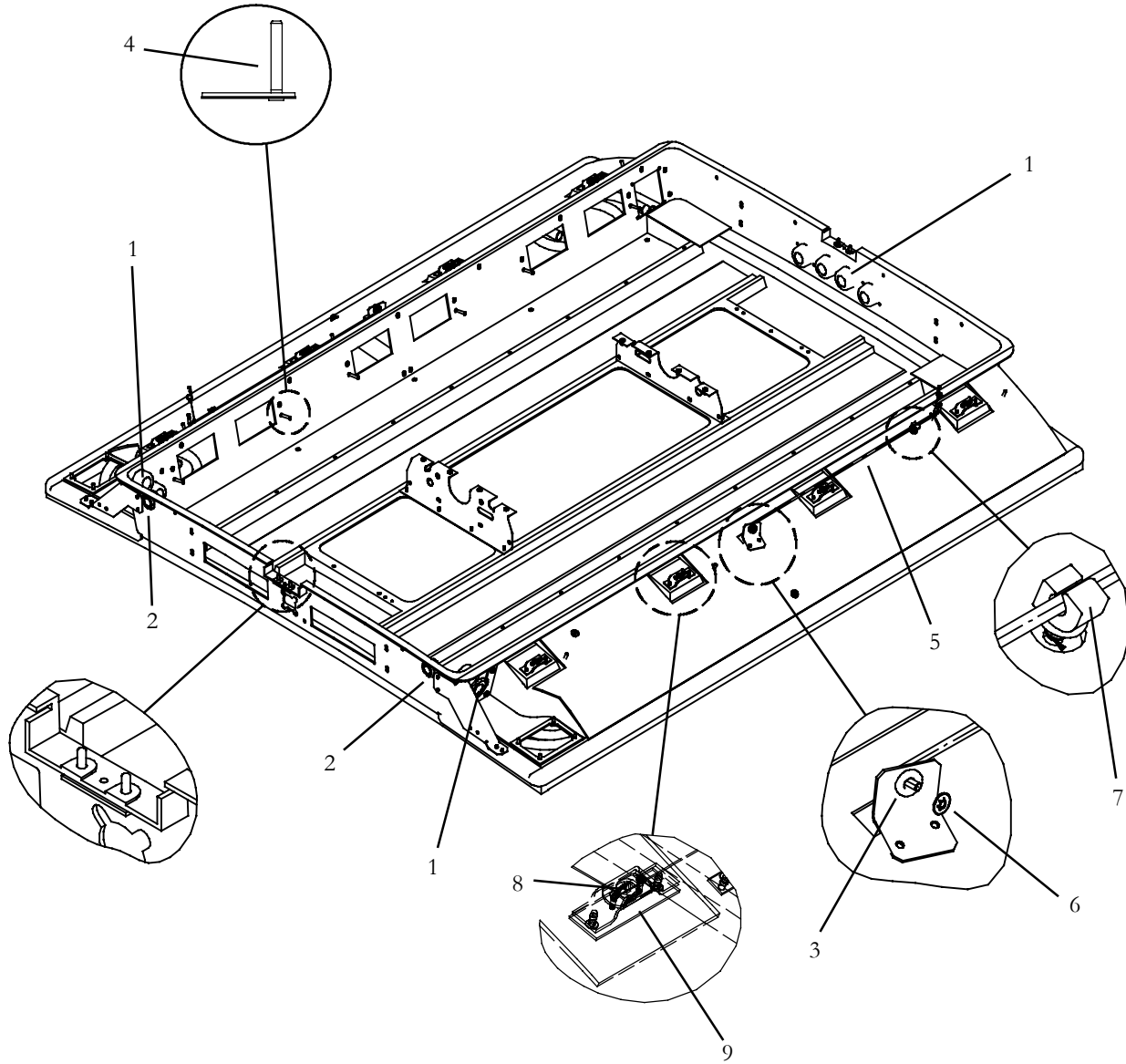


REF: 77-00318-01

Item	Part Number	Description	Qty
-	NSI	Housing Assembly, Evaporator, See Section 2.2	1
15	86-67036-00	Hinge, Double Pin	5
16	42-67040-01	Gasket	2
NS	NSI	Sikaflex 252, (Reference Only)	A/R
17	Y24-00019	Bracket Assembly, Control Panel Support	2



2.2 Evaporator Housing Assembly: OPTION 1

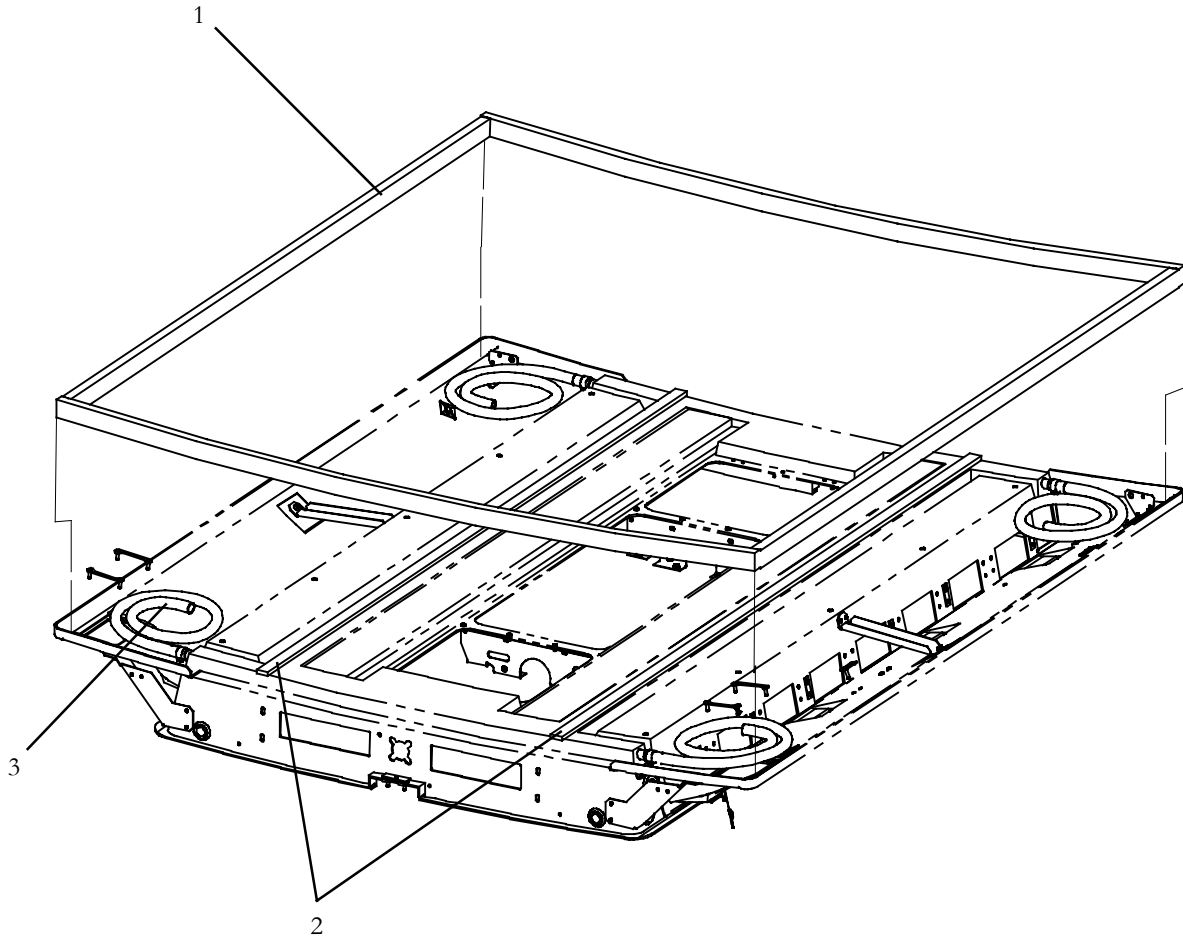


REF: 79-62144-01

Item	Part Number	Description	Qty
-	NSI	Housing Assembly - Includes:	1
1	58-60298-05	Grommet, 1.89" ID x 1.38" thru x 0.16" G	8
2	58-60298-04	Grommet, 1.50" ID x 1.02" thru x 0.16" G	2
3	58-60302-01	Grommet, 0.61" ID x 0.35" thru x 0.08" G	2
4	67-67013-00	Support	12
5	Y24-00056-00	Prop Rod	2
6	34-60095-46	Lock Washer, M6	2
7	44-67014-00	Rod Clip	2
8	Y24-00159-00	Camloc Mounting Bracket	8
9	68-67151-00	Support Bracket	8



2.2 Evaporator Housing Assembly (Continued): OPTION 1



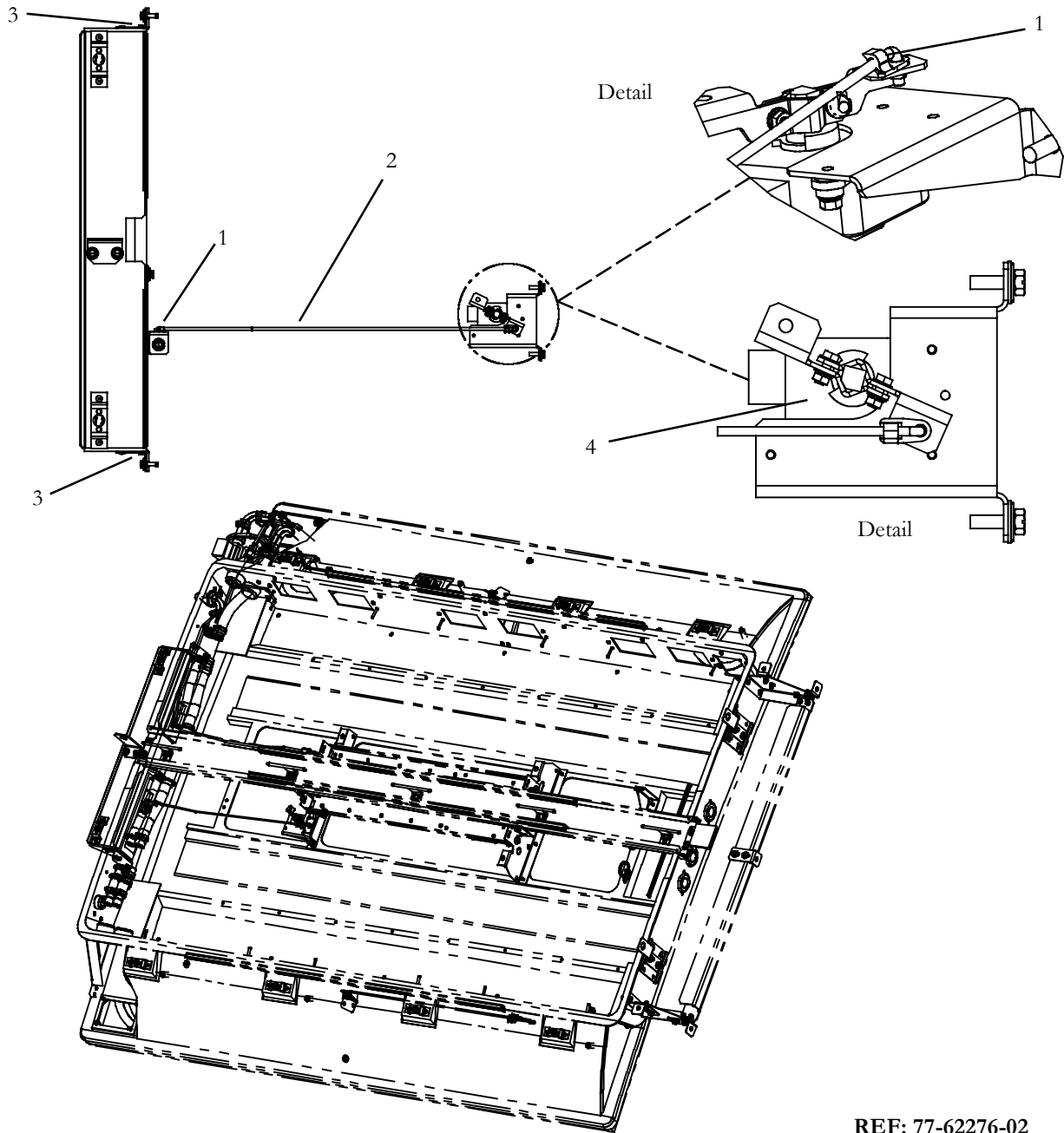
REF: 79-62144-01

Item	Part Number	Description	Qty
-	NSI	Housing Assembly - Includes:	1
1	42-67021-01	Gasket, Base Assembly	1
2	42-67009-06	Gasket	2
3	58-67076-02	Hose, Drain	4





2.2 Air Exchange Kit - 25%: OPTION 1



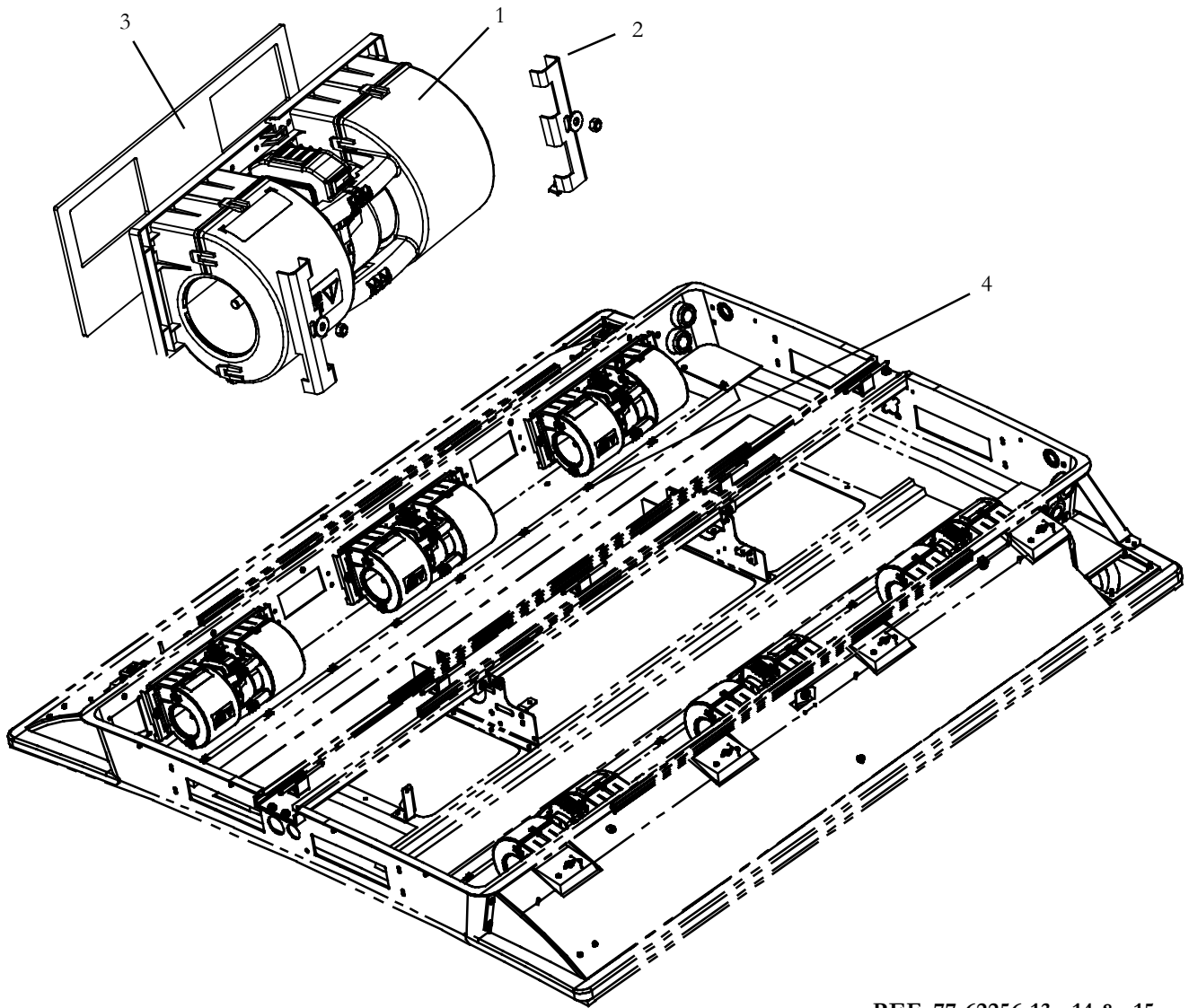
REF: 77-62276-02

Item	Part Number	Description	Qty
1	44-67008-00	Clip, Rod	2
2	73-67008-00	Rod, Linkage	1
3	04-67004-00	Bearing, Flap	2
4	54-00595-00	Motor, Actuator	1



**3 EVAPORATOR BLOWER KITS**

**3.1 Evaporator Blower Kit, (6) Brushless Motors (24V): OPTIONS 1,2, & 3**

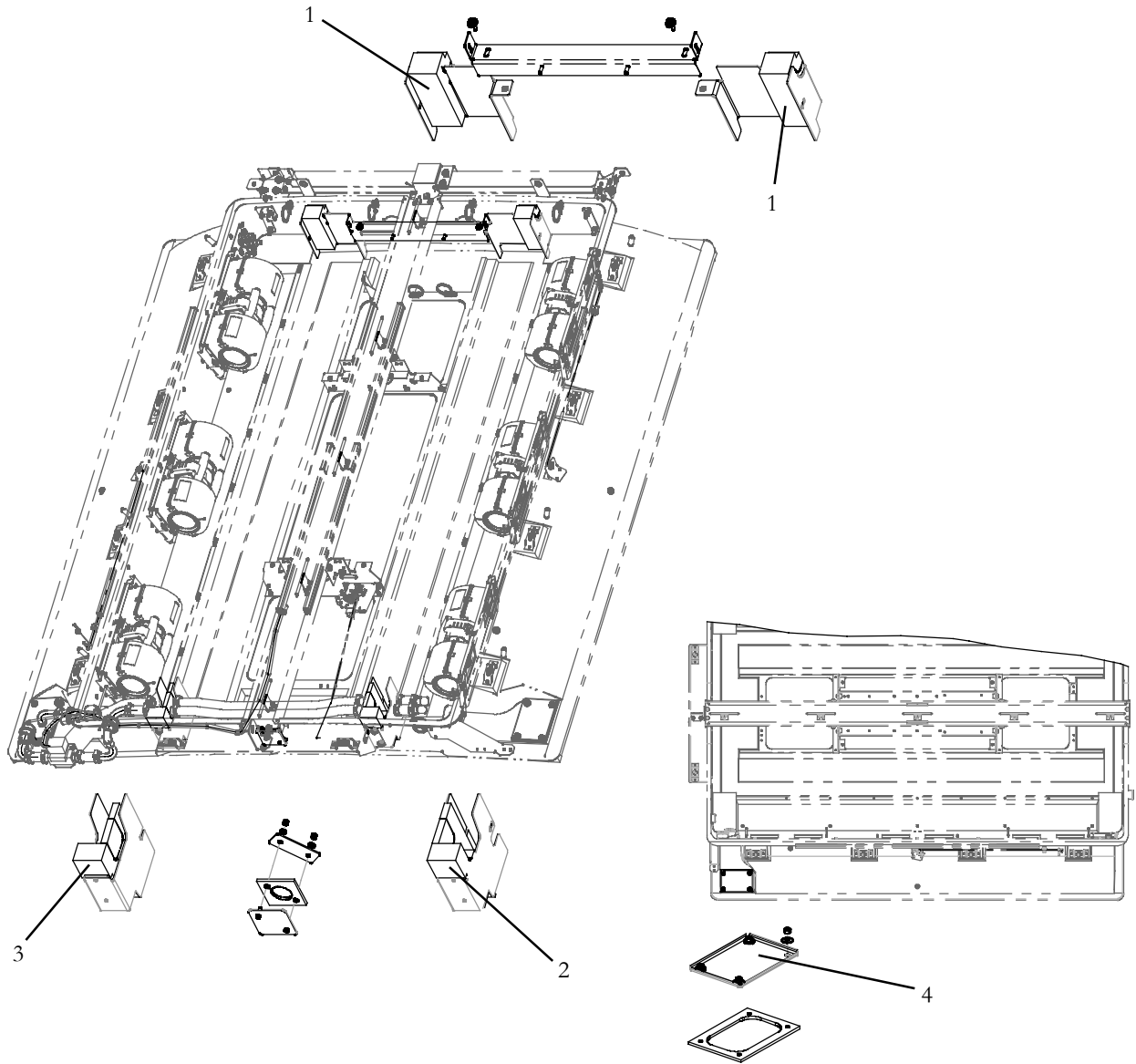


REF: 77-62256-13, -14 & -15

Item	Part Number	Description	Qty
1	54-00627-06	Blower Assembly, Double Radial 24V, (Model 68H353G4-102-2)	6
	54-00627-07	Blower Assembly, Double Radial 24V, (Models 68H353G4-102-00 & -03)	6
	15-15060	Blower Assembly, Double Radial 24V, (Model 68H353G4-102-1)	6
2	68-62967-00	Bracket, Blower Motor, (All Models)	12
3	Y38-00012-01	Gasket, Double Radial Blower, (Model 68H353G4-102-1)	6
	42-01269-00	Gasket, Double Radial Blower, (Models 68H353G4-102-00, -02 & -03)	6
4	58-04315-00	Base, Mounting, .0250" Dia. Mtg. Hole, (All Models)	18



4 EVAPORATOR REFRIGERANT & CONNECTION KITS -Block-Off Kits : OPTION 1



REF: 77-00324-04

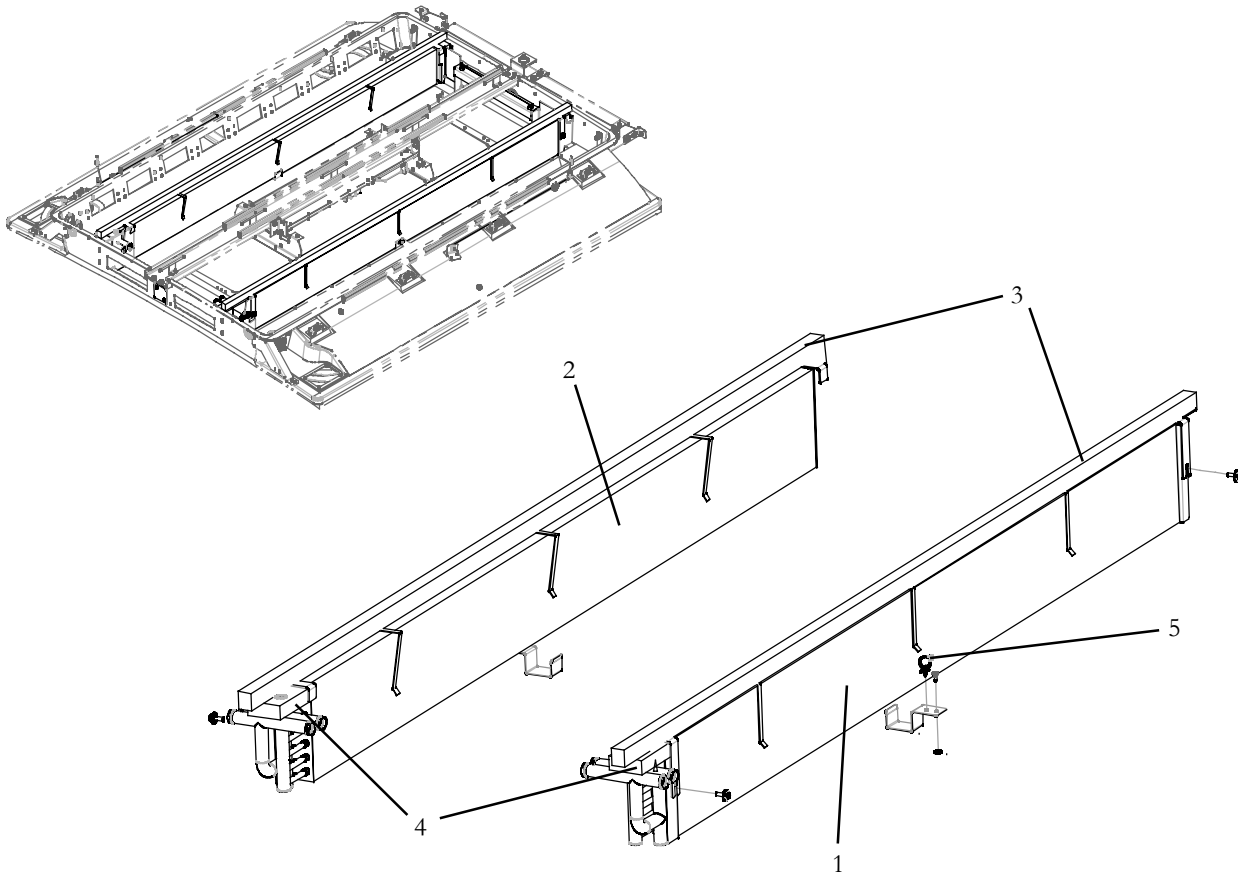
REF: 77-62245-01

Item	Part Number	Description	Qty
1	Y38-00010-03	Block Off, Foam	2
2	Y38-00033-00	Foam Block Off, Coil Header Right	1
3	Y38-00033-01	Foam Block Off, Coil Header Left	1
4	68-20801-02	Block Off Plate, Suction & Discharge Access	1
5	NSI	Caulk, Sikaflex 252 (Reference Only)	A/R



5 HEATING KITS

5.1 HEATING COIL KIT- 2 ROW: OPTION 1

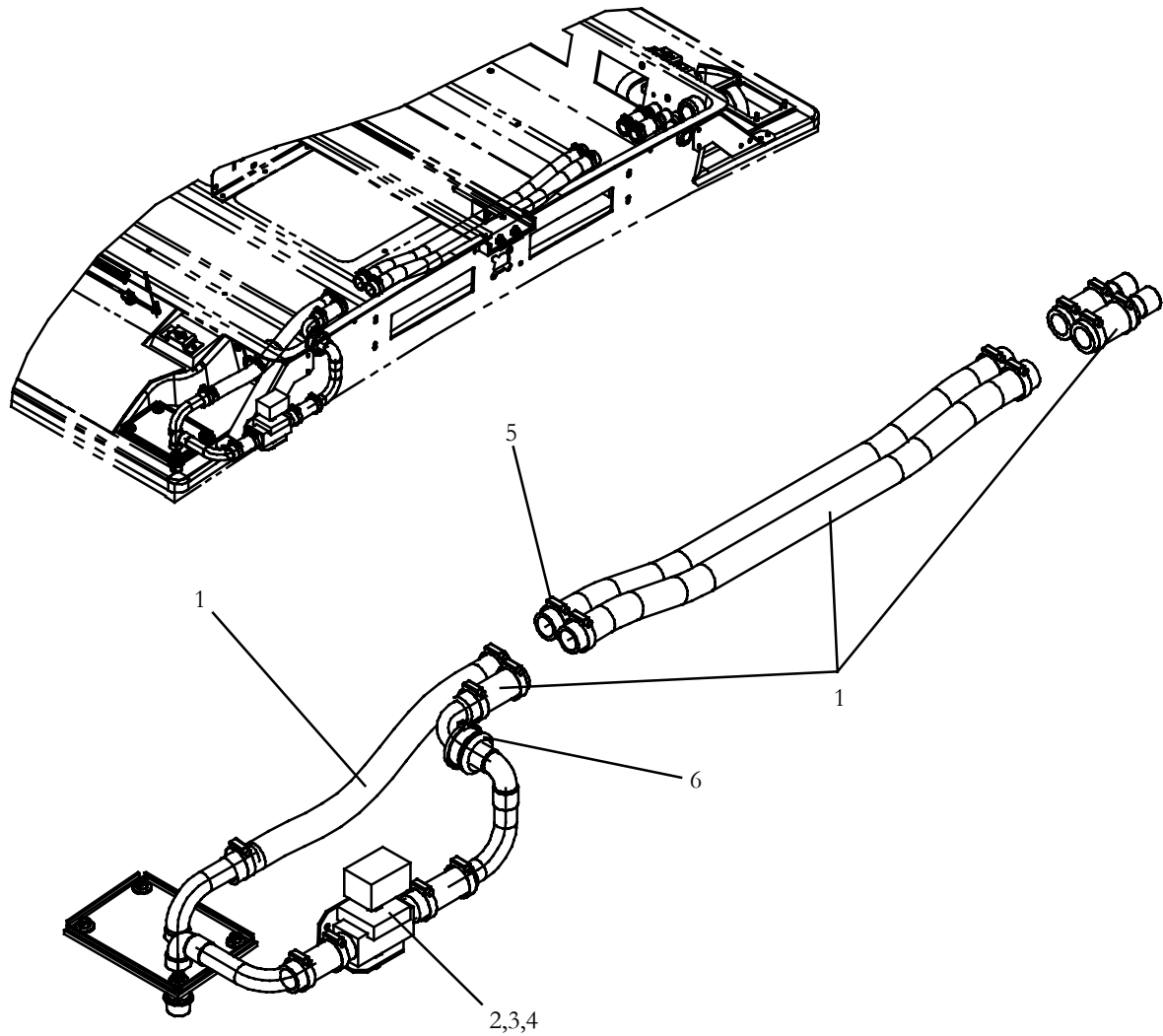


REF: 77-62255-03

Item	Part Number	Description	Qty
1	22-1225	Heater Coil, Right	1
2	22-1227	Heater Coil, Left	1
3	42-00221-16	Gasket	2
4	42-00221-42	Gasket	2
5	58-04315-00	Base Mounting Clip, Cable Tie	2



5.2 CONNECTION KIT - HEATING, Left W/Solenoid and 4 PLY HOSE: OPTION 1

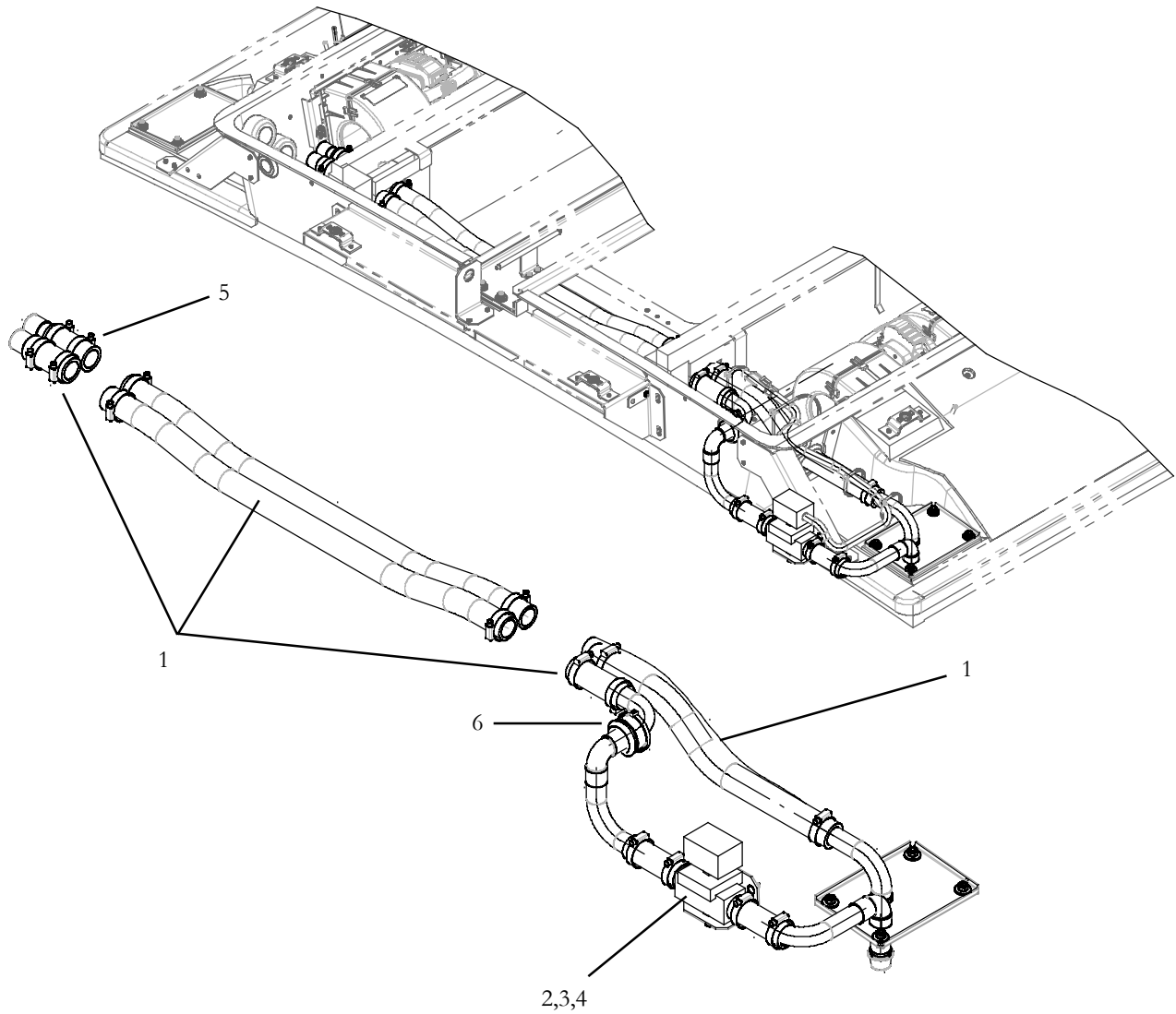


REF: 77-62252-10

Item	Part Number	Description	Qty
1	Y37-00007-00	Hose, Coolant 7/8", 4 Ply Silicone	12 ft.
2	14-00194-04	Valve, Coolant	1
3	14-01110-02	Solenoid Coil, 24 VDC	1
4	14-50036-00	Solenoid Valve Repair Kit	1
5	44-00318-00	Clamp, Hose, .813 - 1.75"	16
6	58-60298-04	Grommet, 1.50" ID x 1.02" Thru ID x 0.16" G	1



5.3 CONNECTION KIT - HEATING, Right W/Solenoid and 4 PLY HOSE: OPTION 2

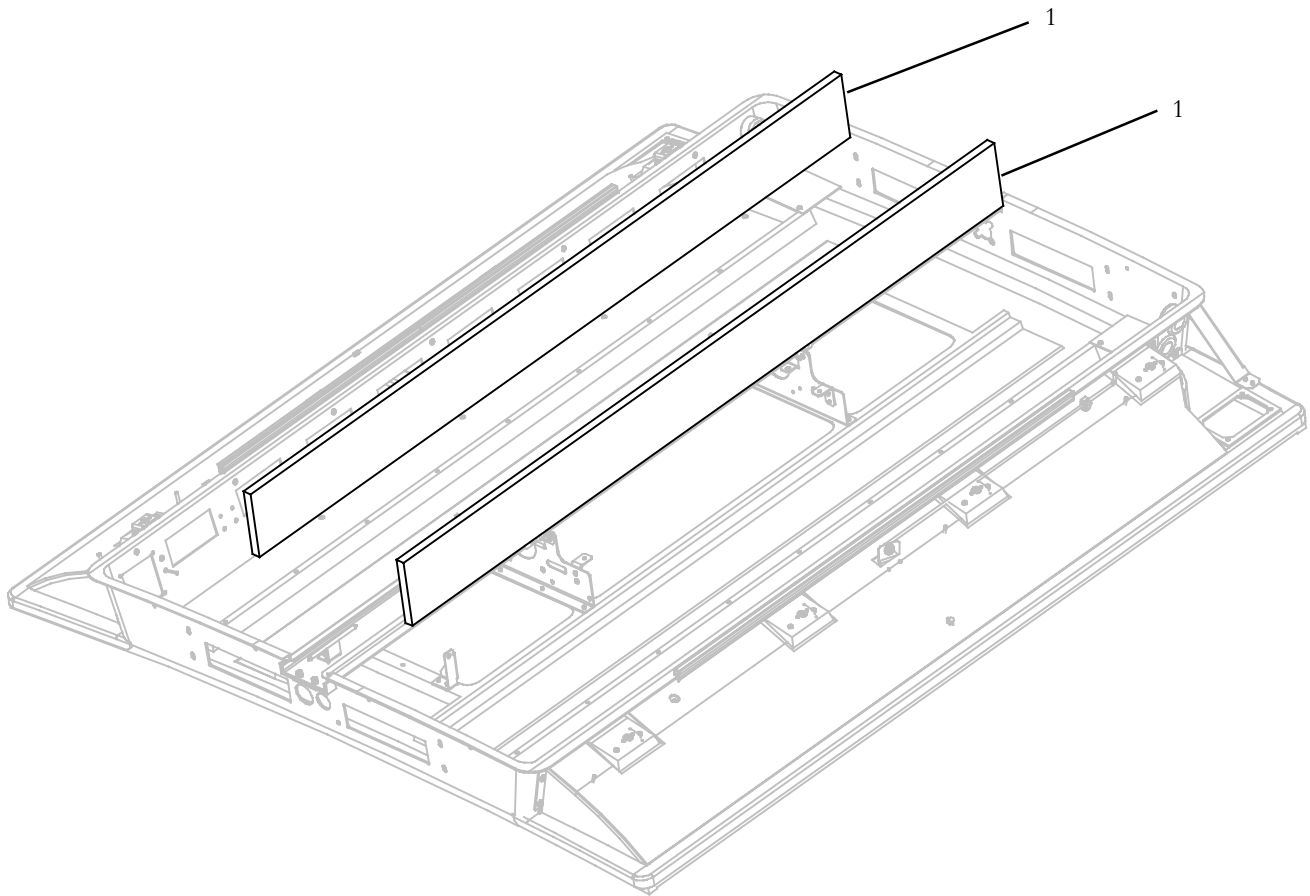


REF: 77-62252-11

Item	Part Number	Description	Qty
1	Y37-00007-00	Hose, Coolant 7/8", 4 Ply Silicone	12 ft.
2	14-00194-04	Valve, Coolant	1
3	14-01110-02	Solenoid Coil, 24 VDC	1
4	14-50036-00	Solenoid Valve Repair Kit	1
5	44-00318-00	Clamp, Hose, .813 - 1.75"	16
6	58-60298-04	Grommet, 1.50" ID x 1.02" Thru ID x 0.16" G	1



6 EVAPORATOR FILTER KIT (STANDARD): ALL MODELS



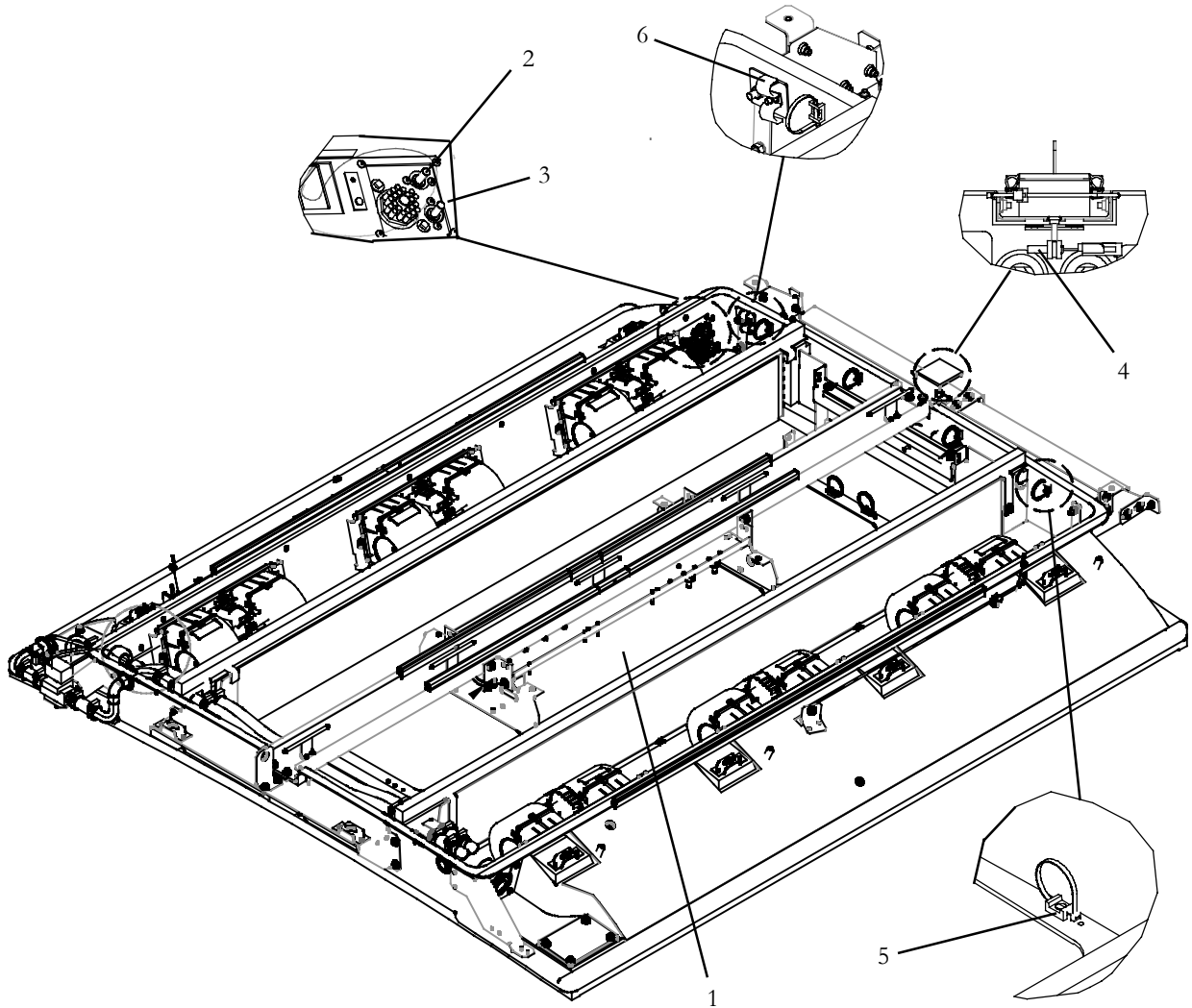
REF: 77-62267-03

Item	Part Number	Description	Qty
1	38-00603-02	Filter, Air, H353, 7.00" x 72.00"	2



7 EVAPORATOR ELECTRICAL COMPONENTS (COMMON TO ALL MODELS)

7.1 Electrical Components H353G4- EBM Brushless



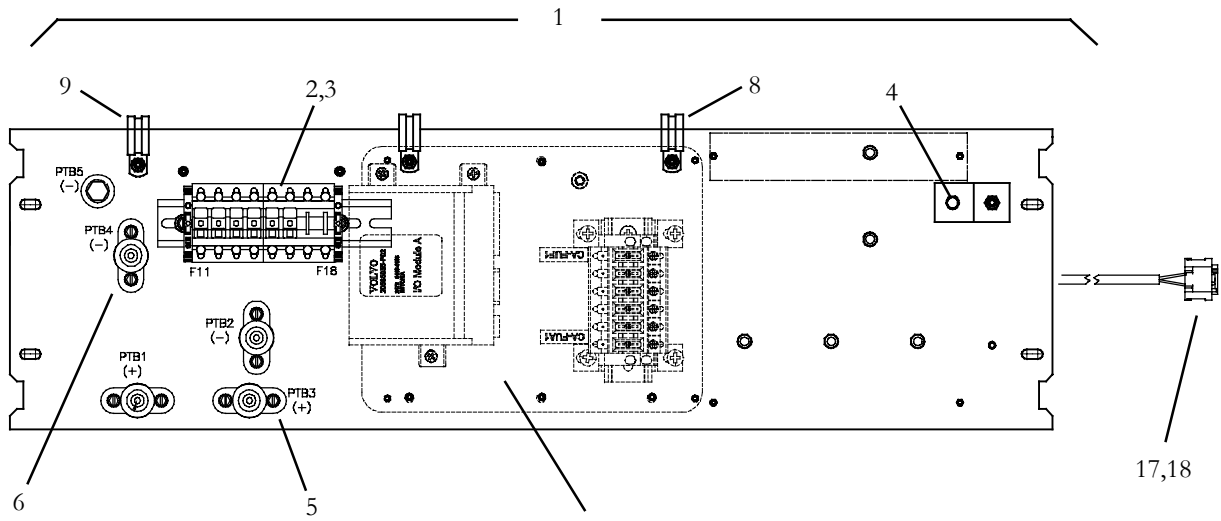
Item	Part Number	Description	Qty
1	NSI	Panel, Electrical (See Section 8.1)	1
2	22-62180-00	Block Assembly, Terminal 3/8", Black	1
3	22-62180-01	Block Assembly, Terminal 3/8", Red	1
4	Y25-00011	Thermistor Assembly	1
5	58-04507-01	Mount, Wire Tie, Adhesive Back	6
6	Y39-00012-00	Clamp, Cushioned, Duplex	1



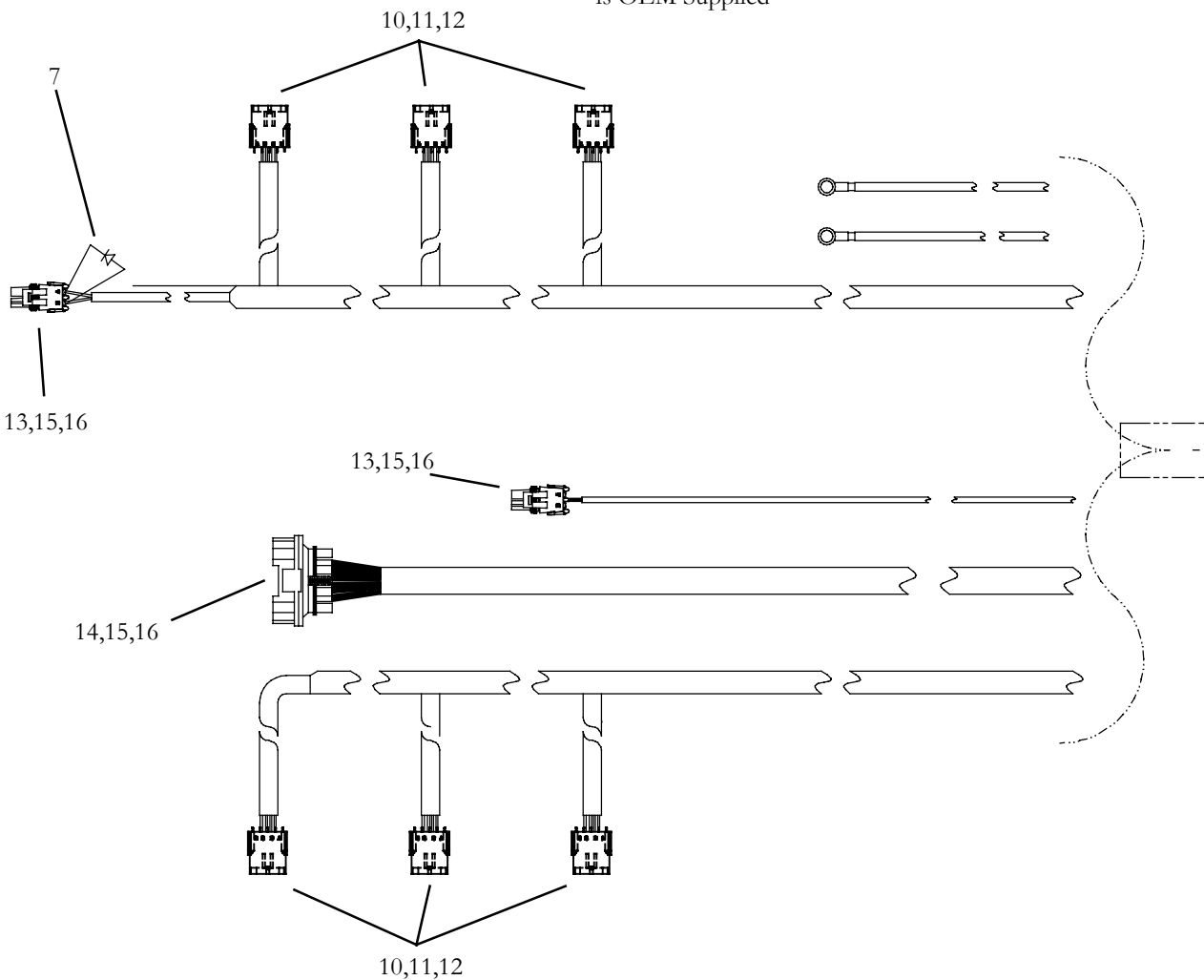


8 EVAPORATOR CONTROL PANELS

8.1 Control Panel-H353G4 EBM Brushless-Multiplex Volvo: OPTION 3 & 4



NOTE: Panel In Dashed Lines is OEM Supplied



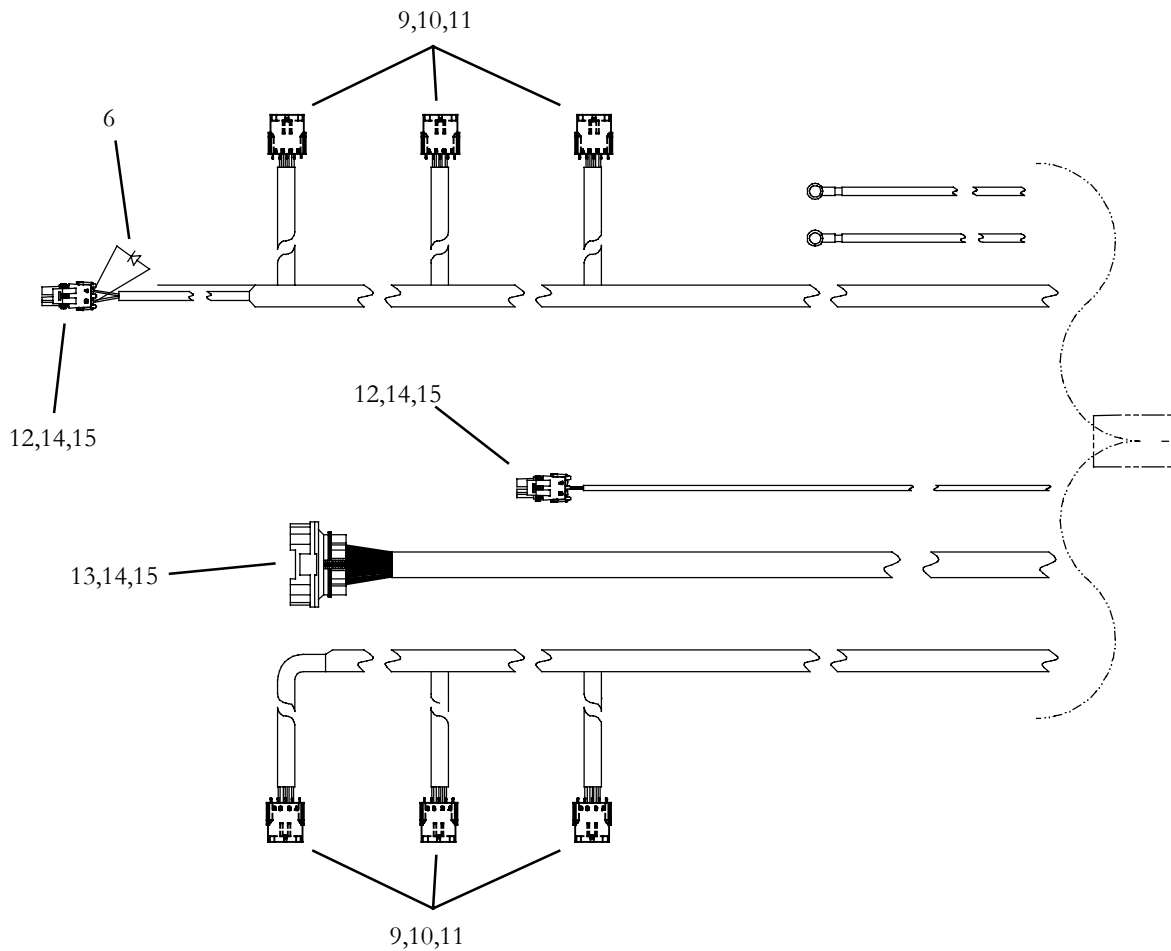
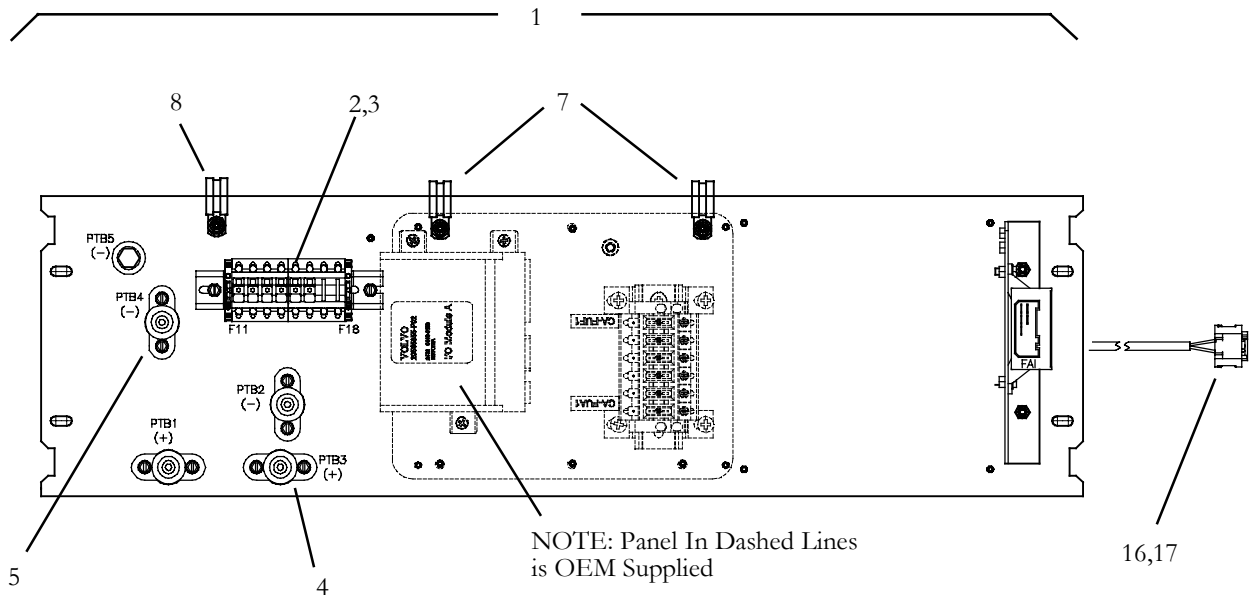
REF: 91-62108-01



8.1 Control Panel-H353G4 EBM Brushless-Multiplex Volvo: OPTION 3 & 4			
Item	Part Number	Description	Qty
1	NSI	Panel Assembly- Includes:	1
2	22-62295-00	Fuse Holder, ETA	2
3	10-00479-01	Circuit Breaker, Thermal Reset	6
4	AC201-616	Light, Red LED	1
5	22-50098-91	Junction Block, 3/8 -16 Stud, Red	2
6	22-50098-91A	Junction Block, 3/8 -16 Stud, Black	2
7	AC201-600	Diode, In Line 6 Amp	1
8	34-00373-09	Clamp, Tube	2
9	34-00373-13	Clamp, Tube	1
10	22-50099-25	Weatherpac Connector, 4-Way Male	6
11	22-02393-00	Terminal Male, 14-16 AWG	A/R
12	22-02393-01	Terminal Male, 18 AWG	A/R
13	22-01585-00	Weatherpac Connector, 2-Way Female	2
14	22-01565-00	Connector, 22 Way, Female	1
15	22-50078-58F	Terminals, Female, 18-20 AWG	A/R
16	22-50078-58G	Terminals, Female, 14-16 AWG	A/R
17	22-50099-43	Connector, 6 Way, Sealed	1
18	22-50099-43A	Terminals, Female, 18 AWG	A/R



8.2 Control Panel-H353G4 EBM Brushless-Multiplex Volvo: OPTION 1



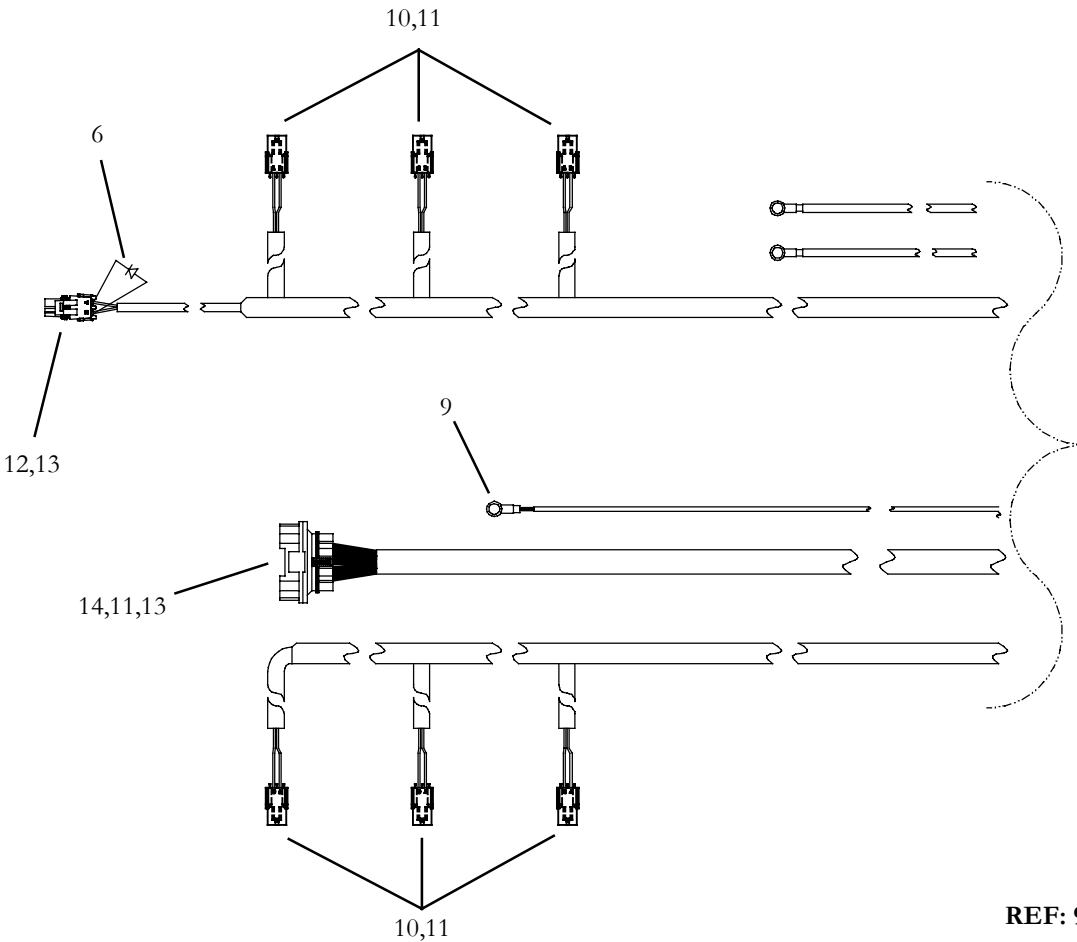
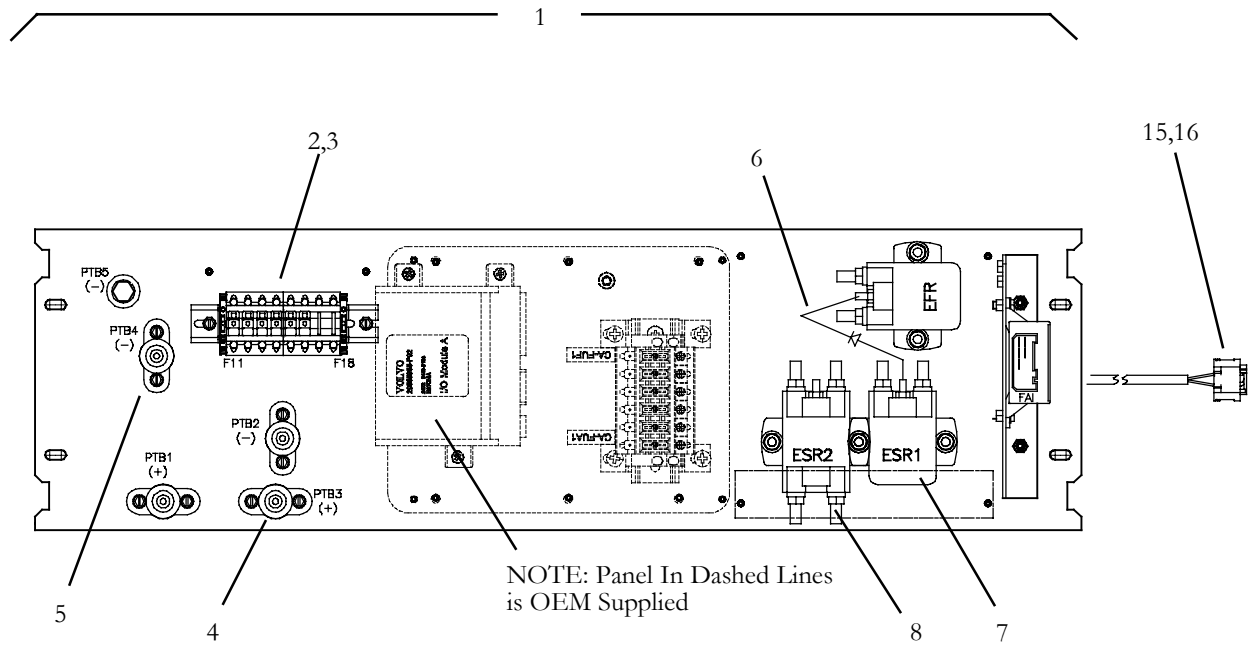
REF: 91-62108-00



<b>8.1 Control Panel-H353G4 EBM Brushless-Multiplex Volvo: OPTION 1</b>			
<b>Item</b>	<b>Part Number</b>	<b>Description</b>	<b>Qty</b>
1	NSI	Panel Assembly- Includes:	1
2	22-62295-00	Fuse Holder, ETA	2
3	10-00479-01	Circuit Breaker, Thermal Reset	6
4	22-50098-91	Junction Block, 3/8 -16 Stud, Red	2
5	22-50098-91A	Junction Block, 3/8 -16 Stud, Black	2
6	AC201-600	Diode, In Line 6 Amp	1
7	34-00373-09	Clamp, Tube	2
8	34-00373-13	Clamp, Tube	1
9	22-50099-25	Weatherpac Connector, 4-Way Male	6
10	22-02393-00	Terminal Male, 14-16 AWG	A/R
11	22-02393-01	Terminal Male, 18 AWG	A/R
12	22-01585-00	Weatherpac Connector, 2-Way Female	2
13	22-01565-00	Connector, 22 Way, Female	1
14	22-50078-58F	Terminals, Female, 18-20 AWG	A/R
15	22-50078-58G	Terminals, Female, 14-16 AWG	A/R
16	22-50099-43	Connector, 6 Way, Sealed	1
17	22-50099-43A	Terminals, Female, 18 AWG	A/R



8.3 Control Panel-H353G4 PM Motors (Brushed) - Multiplex Volvo: OPTION 2



REF: 91-62109-00



<b>8.1 Control Panel-H353G4 PM Motors (Brushed) - Multiplex Volvo: OPTION 2</b>			
<b>Item</b>	<b>Part Number</b>	<b>Description</b>	<b>Qty</b>
1	NSI	Panel Assembly- Includes:	1
2	22-62295-00	Fuse Holder, ETA	2
3	10-00479-01	Circuit Breaker, Thermal Reset	6
4	22-50098-91	Junction Block, 3/8 -16 Stud, Red	2
5	22-50098-91A	Junction Block, 3/8 -16 Stud, Black	2
6	AC201-600	Diode, In Line 6 Amp	5
7	10-00300-02	Contactor, 28 VDC, N.O.	2
8	10-00300-07	Contactor, 28 VDC, SPDT	1
9	12-00305-04	Thermistor, ATS & RAS	2
10	12-02392-00	Weatherpac Connector, 2-Way Male (EM1 thru EM6)	6
11	22-50078-58G	Terminals, Female, 14-16 AWG	A/R
12	22-01585-00	Weatherpac Connector, 2-Way Female (HSV)	1
13	22-50078-58F	Terminals, Female, 18-20 AWG	A/R
14	22-01565-00	Connector, 22 Way, Female	1
15	22-50099-43	Connector, 6 Way, Sealed	1
16	22-50099-43A	Terminals, Female, 18 AWG	A/R



0

04-67004-00 5

1

10-00300-02 18
10-00300-07 18
10-00479-01 14, 16, 18
12-00305-04 18
12-02392-00 18
14-00194-04 9, 10
14-01110-02 9, 10
14-50036-00 9, 10
15-15060 6

2

22-01565-00 14, 16, 18
22-01585-00 14, 16, 18
22-02393-00 14, 16
22-02393-01 14, 16
22-1225 8
22-1227 8
22-50078-58F 14, 16, 18
22-50078-58G 14, 16, 18
22-50098-91 14, 16, 18
22-50098-91A 14, 16, 18
22-50099-25 14, 16
22-50099-43 14, 16, 18
22-50099-43A 14, 16, 18
22-62180-00 12
22-62180-01 12
22-62295-00 14, 16, 18

3

34-00373-09 14, 16
34-00373-13 14, 16
34-60095-46 3
34-67009-00 1

34-67025-00 1
38-00603-02 11

4

42-00221-16 8
42-00221-42 8
42-01269-00 6
42-67009-06 4
42-67021-01 4
42-67040-01 2
44-00318-00 9, 10
44-62004-02 1
44-67008-00 5
44-67014-00 3

5

54-00595-00 5
54-00627-06 6
54-00627-07 6
58-04315-00 6, 8
58-04507-01 12
58-60298-04 3, 9, 10
58-60298-05 3
58-60302-01 3
58-67076-02 4

6

67-67013-00 3
68-20801-02 7
68-62967-00 6
68-67151-00 3
68-67165-00 1

7

73-67008-00 5
79-62111-00 1
79-62141-02 1
79-62142-04 1



79-62142-05 1

**8**

86-67036-00 2

**A**

AC201-600 14, 16, 18

AC201-616 14

**Y**

Y24-00019 2

Y24-00056-00 3

Y24-00159-00 3

Y25-00011 12

Y37-00007-00 9, 10

Y38-00010-03 7

Y38-00012-01 6

Y38-00033-00 7

Y38-00033-01 7

Y39-00012-00 12



# Every driver deserves the best possible vehicle climate with MCC products

MCC provides exceptional performance in mobile climate comfort.



[www.mcc-hvac.com](http://www.mcc-hvac.com)

Member of MCC Group • Certified ISO 9001 and ISO 14001.  
Specifications subject to change without notice. MCC is a registered trademark.