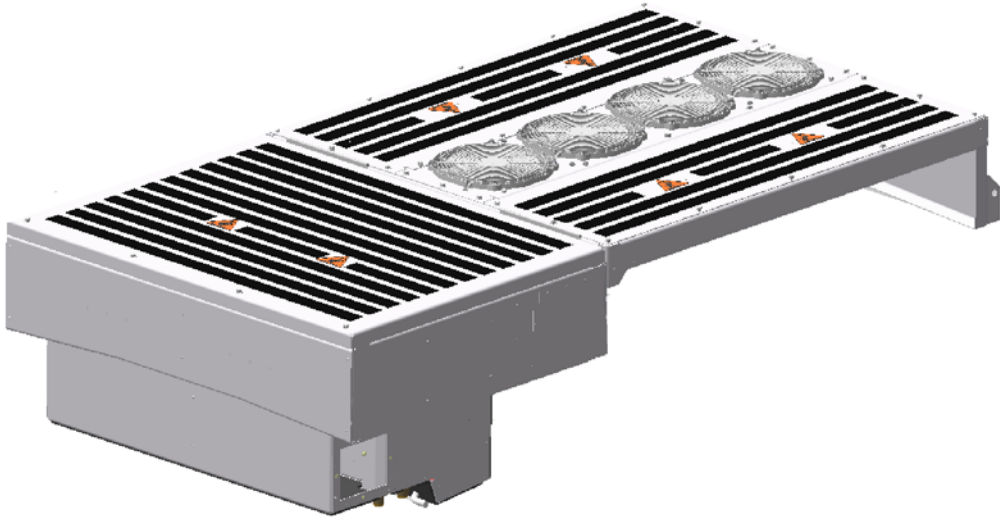




**Mobile Climate Control**

T-367PL Manual



**SERVICE PARTS**  
**for**  
**MCC XCELSIOR SERIES**  
**50-2104**

**T-367PL**

REV. 02/2015



# TABLE OF CONTENTS

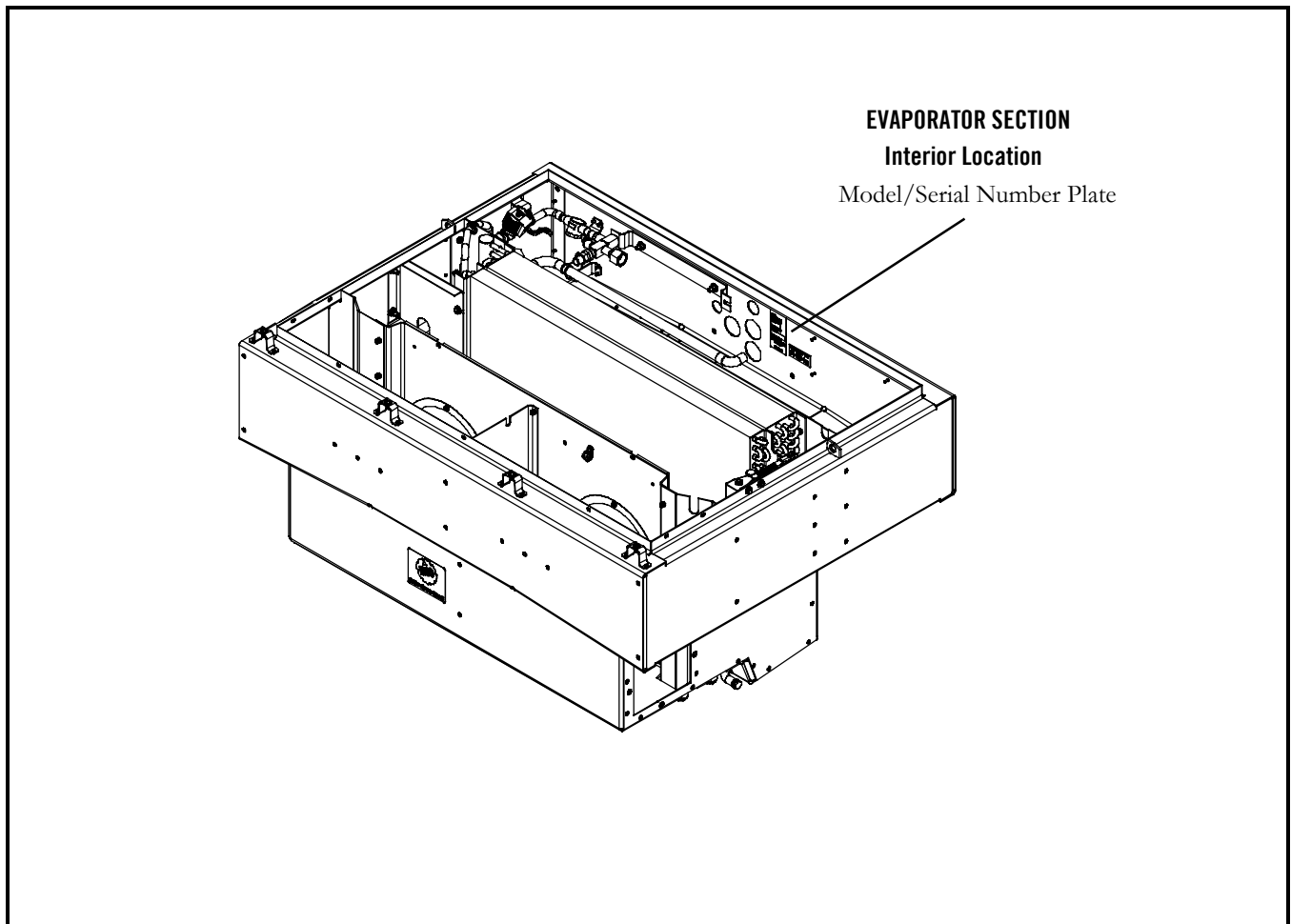
<b>PARAGRAPH NUMBER</b>	<b>Page</b>
INTRODUCTION .....	II
MODEL/SERIAL NUMBER PLATE LOCATION .....	II
MODEL CHART .....	II
ORDERING INSTRUCTIONS .....	III
GENERAL NOTES .....	III
1 EVAPORATOR SECTION, INTERNAL COMPONENTS, 50-2104-00 .....	1
1 EVAPORATOR SECTION, 50-2104-00 (Continued): .....	2
2 CONDENSER SECTION, INTERNAL COMPONENTS, 50-2104-01 .....	3
2 CONDENSER SECTION, 50-2104-01 (Continued) .....	4
3 MISCELLANEOUS COMPONENTS, 50-2104 .....	5
4 ELECTRICAL COMPONENTS, 50-2104 .....	6
4.1 ELECTRICAL PANEL ASSEMBLY, 25-3525 .....	6
4.1 ELECTRICAL PANEL ASSEMBLY, 25-3525, (Continued) .....	7
4.2 CONTROLLER ASSEMBLY .....	7
4.3 DRIVER DISPLAY ASSEMBLY .....	8
4.4 ELECTRICAL HARNESS, COMPONENTS 25-3525 .....	9
4.4 ELECTRICAL HARNESS, COMPONENTS 25-3525: (Continued) .....	10
5 Compressor Assembly Y61-05G02-21 .....	11
5 Compressor Assembly Y61-05G02-21 (Continued) .....	12
5.1 Compressor Assembly, Interface Electrical Connectors .....	13
PART NUMBER INDEX .....	Index-1



**INTRODUCTION**

The Mobile Climate Control Xcelsior series units are of rugged frame construction, designed to be installed on the vehicle roof. This parts list identifies service replacement parts for units found in the Model Chart.

**MODEL/SERIAL NUMBER PLATE LOCATION**



**MODEL CHART**

Part (Model) Number	Refrigerant	Controller	Thermostat	Filter Material	Evaporator & Condenser Motors
50-2104	R-134a	EcoTemp NG	Adjustable	Washable	Brushless



## ORDERING INSTRUCTIONS

All orders and inquiries for parts must include: Unit Serial Number, Part no., description of part as shown on list and quantity required. Parts can be ordered by going to the following website:

**[www.mcc-hvac.com](http://www.mcc-hvac.com)**

## GENERAL NOTES

To find replacement parts, determine major group in which replacement part is located, consult table of contents for the appropriate page for the illustrated breakdown of the replacement part. The following letter designations are used to classify parts throughout this list.

A/R *As Required*

NSA *Non-Stock Assembly* - order components listed under the assembly.

NSS *Not Sold Separately* - order next higher assembly or kit.

NS *Not Shown*

P *Painted*

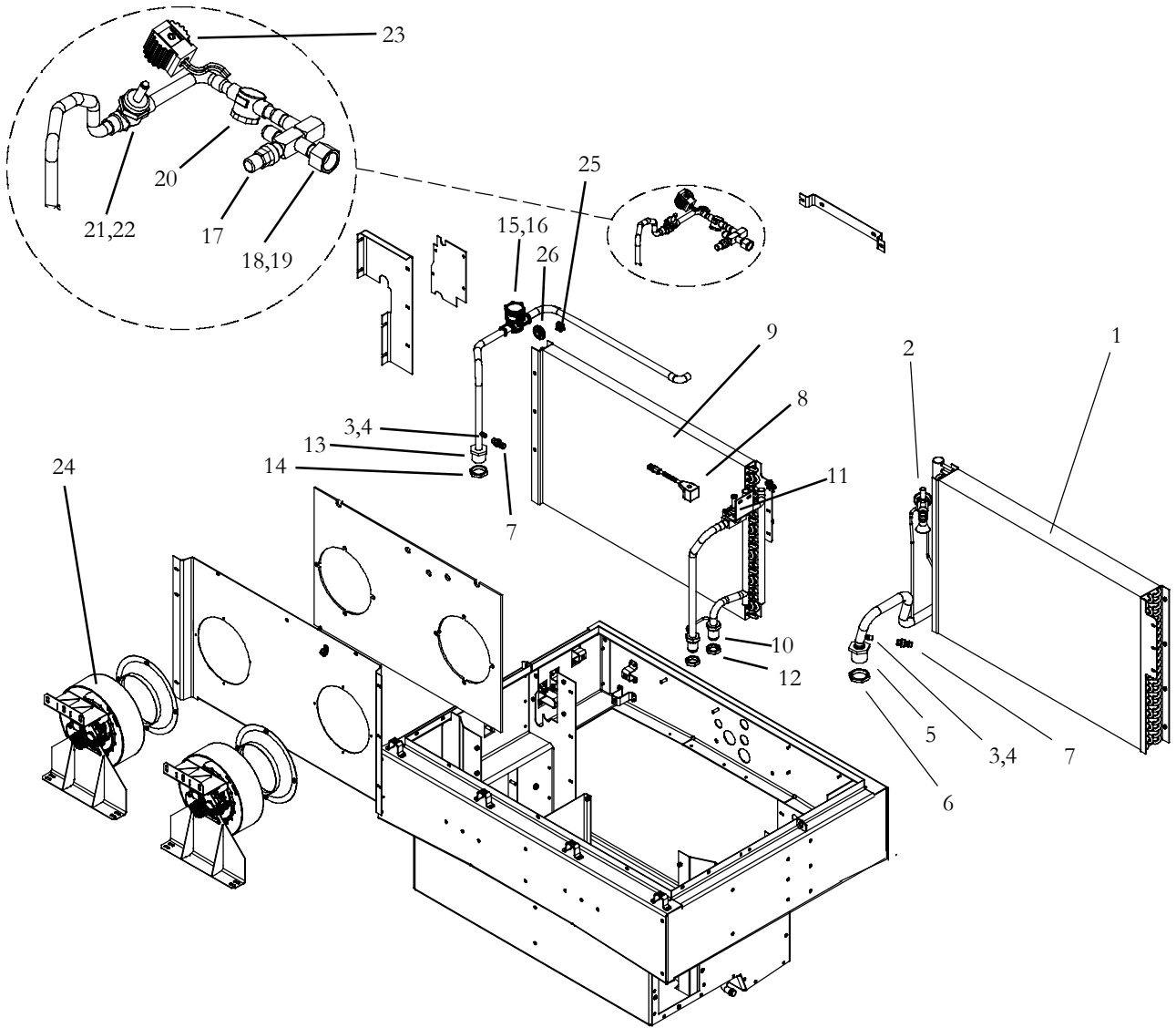
SST *Stainless Steel* - 300 Series unless otherwise specified.

SV Suffix SV added to part number designates service replacement part.

REF Reference Only



**1 EVAPORATOR SECTION, INTERNAL COMPONENTS, 50-2104-00**



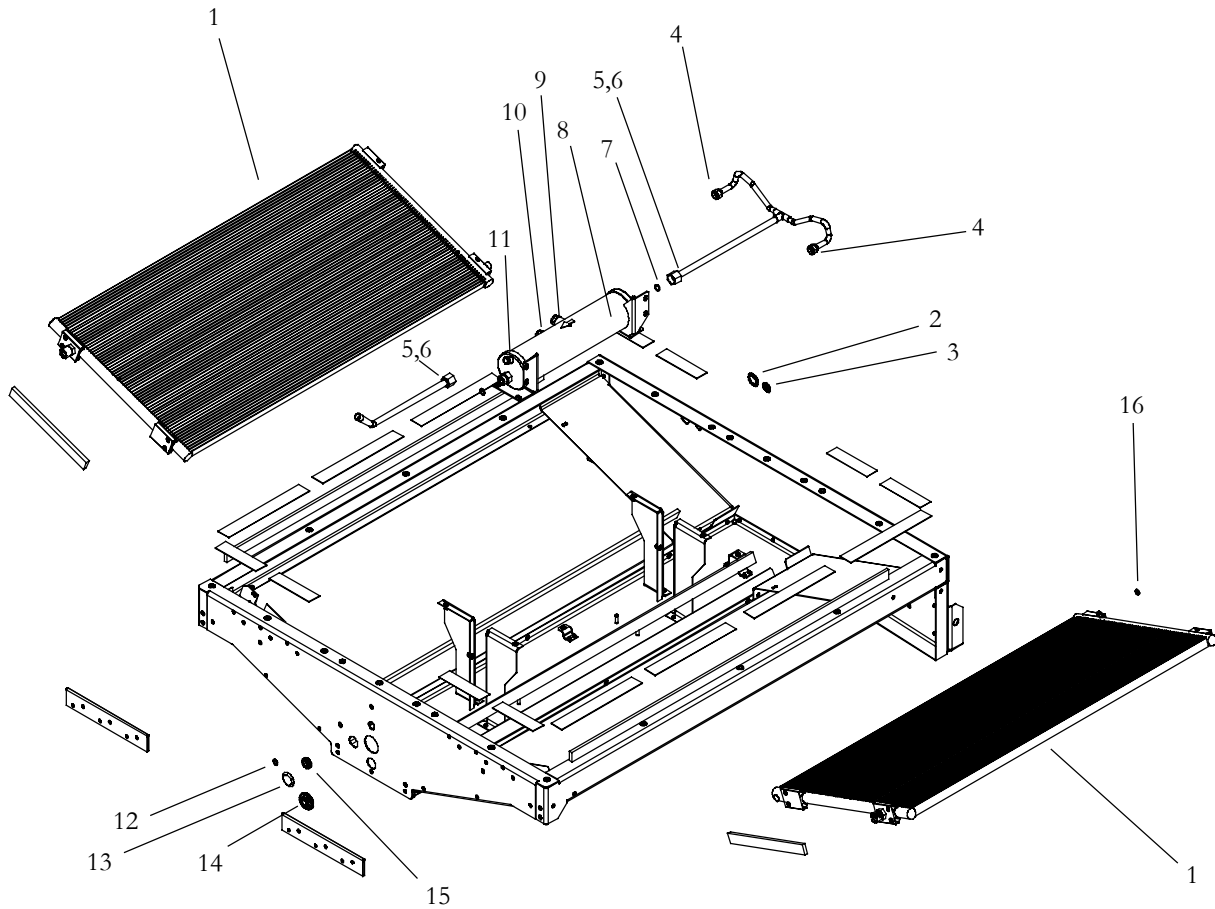
Item	Part Number	Description	Qty
1	21-2226	Coil Assembly, Evaporator: Includes:	1
2	26-2093	Valve, Expansion	1
3	40-01124-00	Valve Body, Schrader	1
4	27-0506	Core,Schrader	1
5	40-00491-07	Fitting, #24 ORS 2"-12	1
6	27-1731	Lock Nut, ORS #24	1
7	12-00352-00	Transducer, Pressure	2
8	25-2161	Coil, Solenoid, 24VDC (Heat Valve)	1
9	22-1339	Coil Assembly, Heater: Includes:	1
10	27-4224	Fitting, #16 JIC	2



<b>1 EVAPORATOR SECTION, 50-2104-00 (Continued):</b>			
<b>Item</b>	<b>Part Number</b>	<b>Description</b>	<b>Qty</b>
11	26-1286	Valve, Solenoid (Heat)	1
12	27-4225	Locknut, #16-JIC	2
13	40-00491-18	Fitting, #20 ORS - 1-11/16" - 12	1
14	27-1730	Locknut, #20 ORS	1
15	26-1242	Valve, Discharge Check: Includes	1
16	26-1242-50	Repair Kit, Discharge Check Valve	1
17	40-00501-05	Valve, Service	1
18	40-60009-04	Nut, Female #10	1
19	27-1734	Braze Shoulder #10	1
20	26-0663	Sight Glass, 5/8" Sweat	1
21	26-1241	Valve Body, Solenoid (LLS)	1
22	14-00236-51	Repair Kit, Valve Body, Solenoid (LLS)	1
23	25-1905	Coil, Solenoid 24 VDC, (LLS)	1
24	15-9814	Impeller Assembly, 24 VDC	2
25	29-1078	Clip	1
26	28-0005	Grommet, 5/8"	1



2 CONDENSER SECTION, INTERNAL COMPONENTS, 50-2104-01



Item	Part Number	Description	Qty
1	08-67026-02	Coil, MCHX, Condenser	2
2	28-2073	Plug, Hole 1- 1/8"	1
3	28-0332	Plug, Hole 3/4"	1

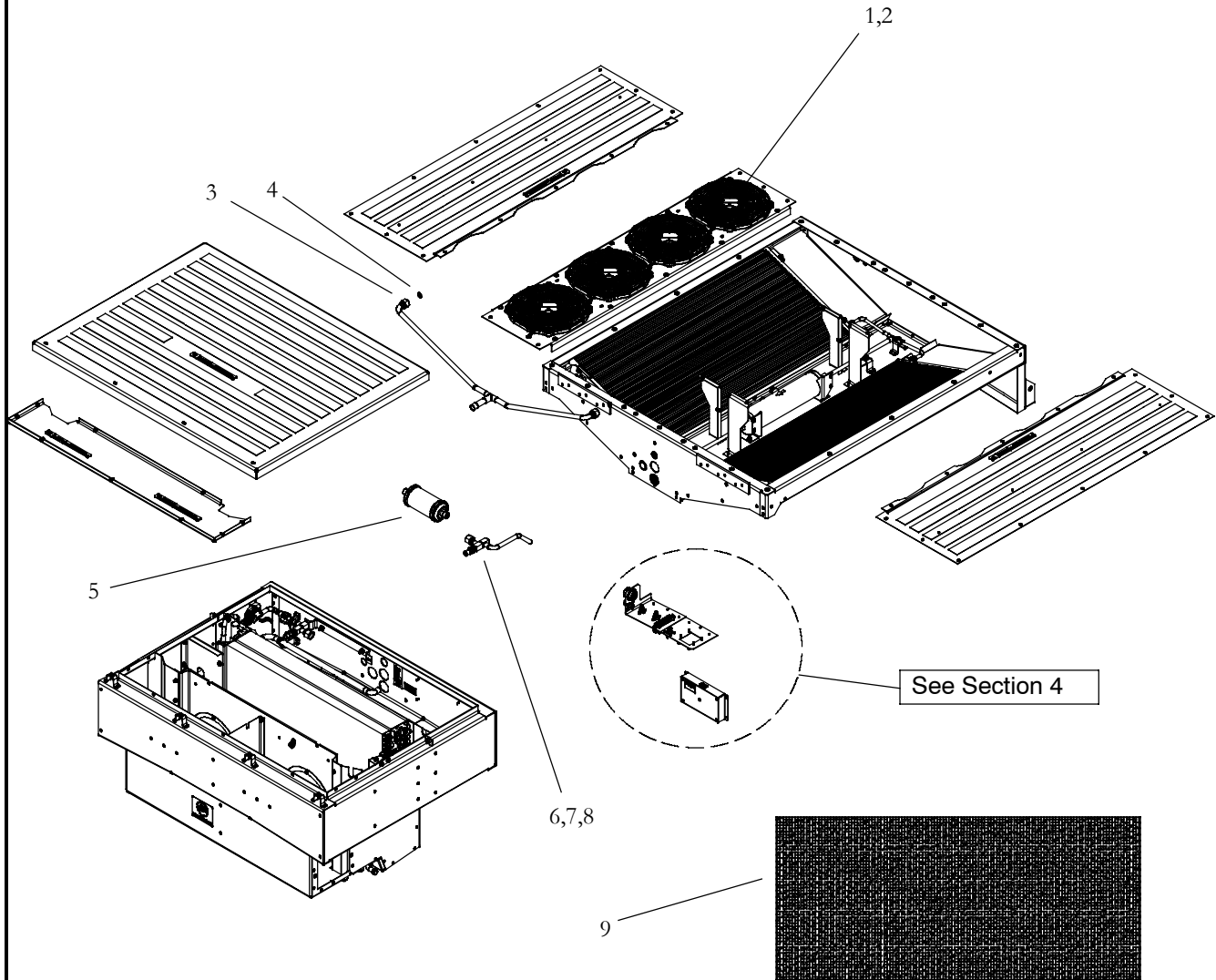


<b>2 CONDENSER SECTION, 50-2104-01 (Continued)</b>			
<b>Item</b>	<b>Part Number</b>	<b>Description</b>	<b>Qty</b>
4	27-0161	Swivel Nut, ORS #8	2
5	27-1734	Braze Shoulder, #10	2
6	27-1720	Nut, Female #10	2
7	27-1741	O-Ring, #10	2
8	Y26-00005-01	Receiver Tank Assembly, Includes:	1
9	14-00111-00	SightGlass	1
10	101-203	Sight Glass w/Moisture Indicator	1
11	14-01032-11	Fusible Plug	1
12	28-0011	Plug, Snap In, 1/2"	1
13	28-0013	Plug, Hole 1-1/4"	1
14	28-0007	Grommet, 1- 1/8"	1
15	28-0009	Grommet, 5/8" ID	1
16	27-0602	O-Ring, #8	2





3 MISCELLANEOUS COMPONENTS, 50-2104

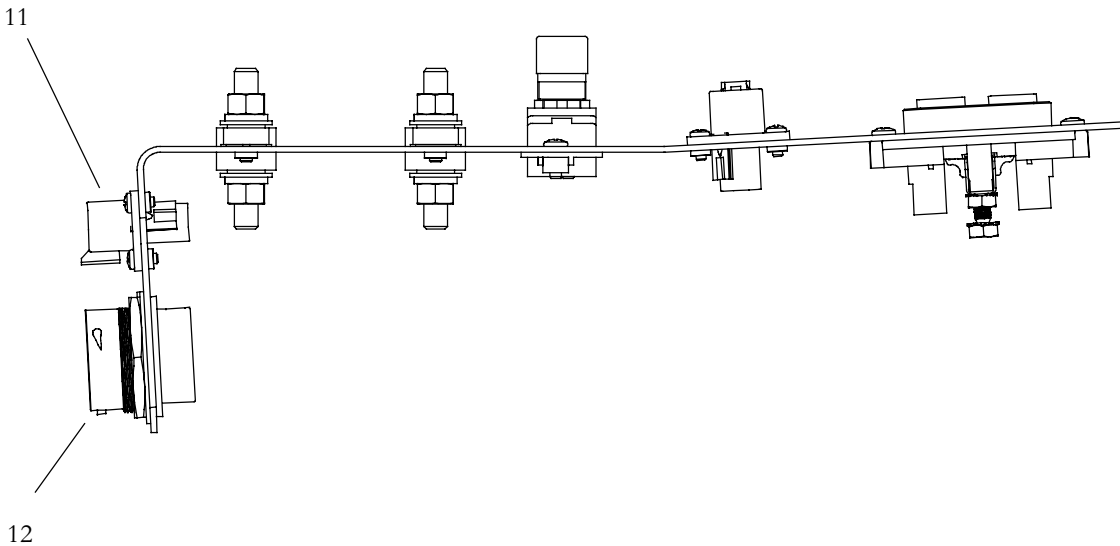
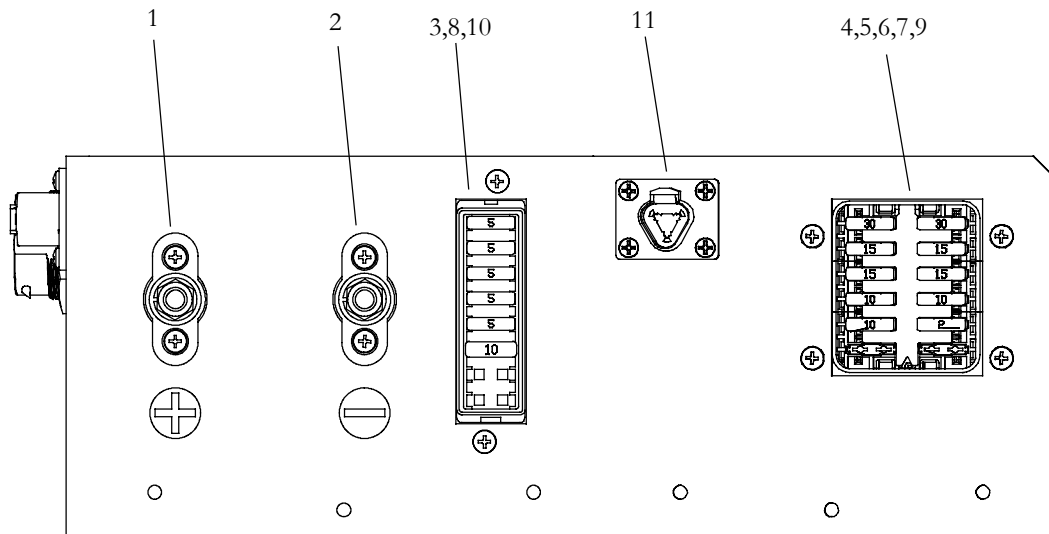


Item	Part Number	Description	Qty
1	15-9834	Fan, Axial	4
2	73-67002-00	Grille, Fan	4
3	27-0069	Nut, Female #12	2
4	27-0604	O-Ring, #12	2
5	26-0658	Filter Drier	1
6	40-00501-12	Valve, Service	1
7	27-1734	Shoulder, Braze #10	1
8	40-60009-04	Nut, Female #10	1
9	801-446-2	Filter, Return Air, 26.5" x 46.5" x 1" (Sold Separate from Unit)	1



4 ELECTRICAL COMPONENTS, 50-2104

4.1 ELECTRICAL PANEL ASSEMBLY, 25-3525



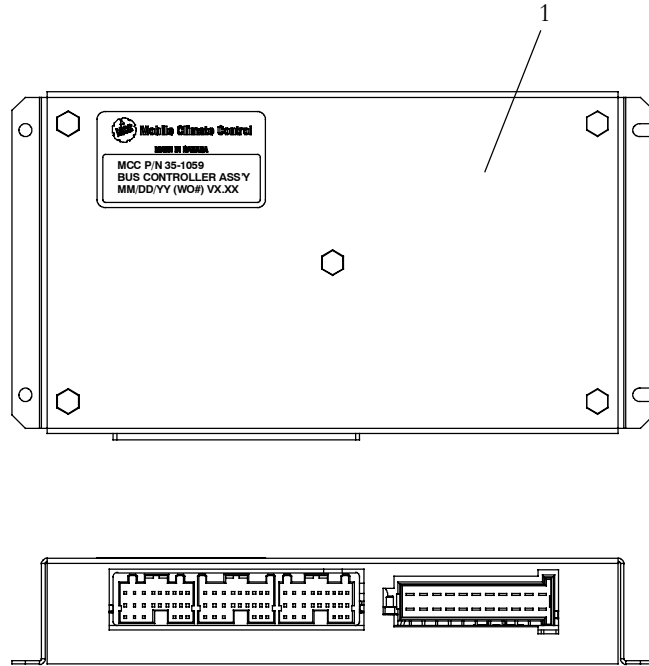
Item	Part Number	Description	Qty
1	25-3543	Stud, 3/8" RED	1
2	25-2580	Stud, 3/8" BLACK	1
3	31-1921	Fuse Holder, 8 Way	1
4	31-1896	Fuse Box	1
5	25-0688	Fuse, 30 AMP	2
6	25-0685	Fuse, 15 AMP	4
7	25-0684	Fuse, 10 AMP	3
8	25-0569	Fuse, 5 AMP	5
9	25-0610	Fuse, 2 AMP	1



**4.1 ELECTRICAL PANEL ASSEMBLY, 25-3525, (Continued)**

Item	Part Number	Description	Qty
10	25-3162	Circuit Breaker, 10 AMP	1
11	31-1895	Flanged Connector, DT Circular, 3 Contacts	2
12	31-1894	Connector, Circular, Deutsch HDP, 19 Contacts	1

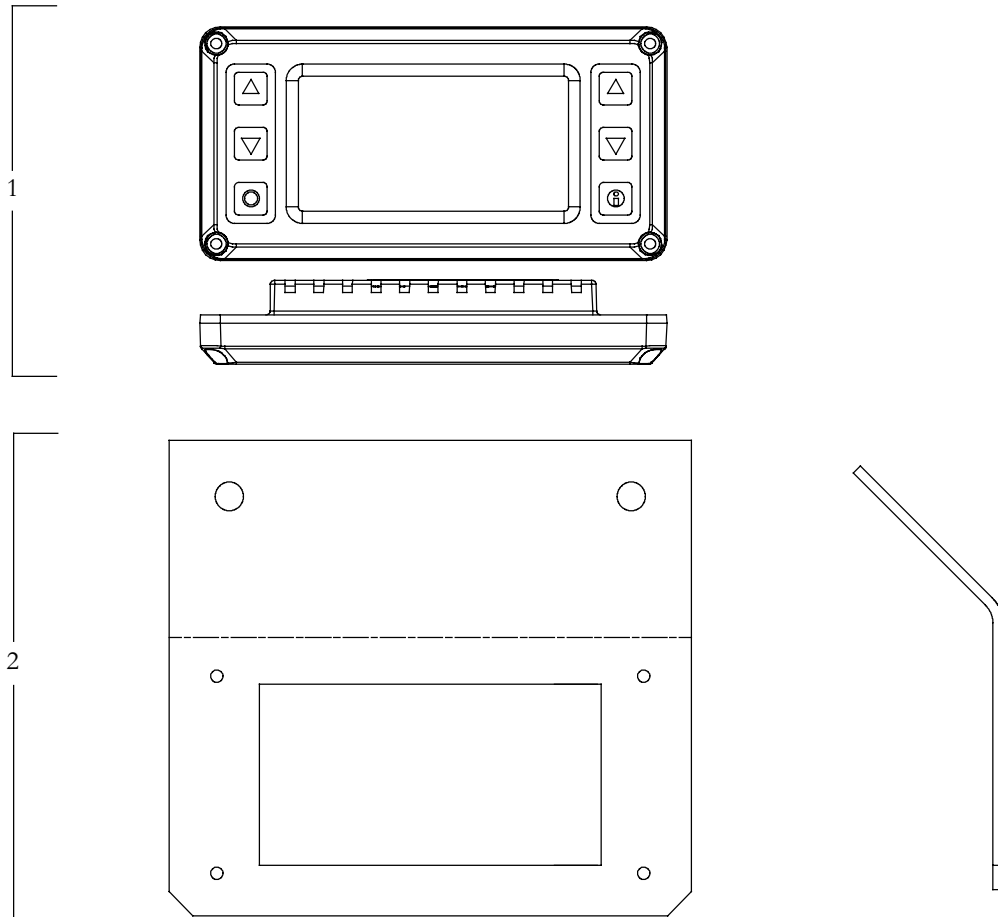
**4.2 CONTROLLER ASSEMBLY**



Item	Part Number	Description	Qty
1	35-1059	Controller Assembly, Bus	1



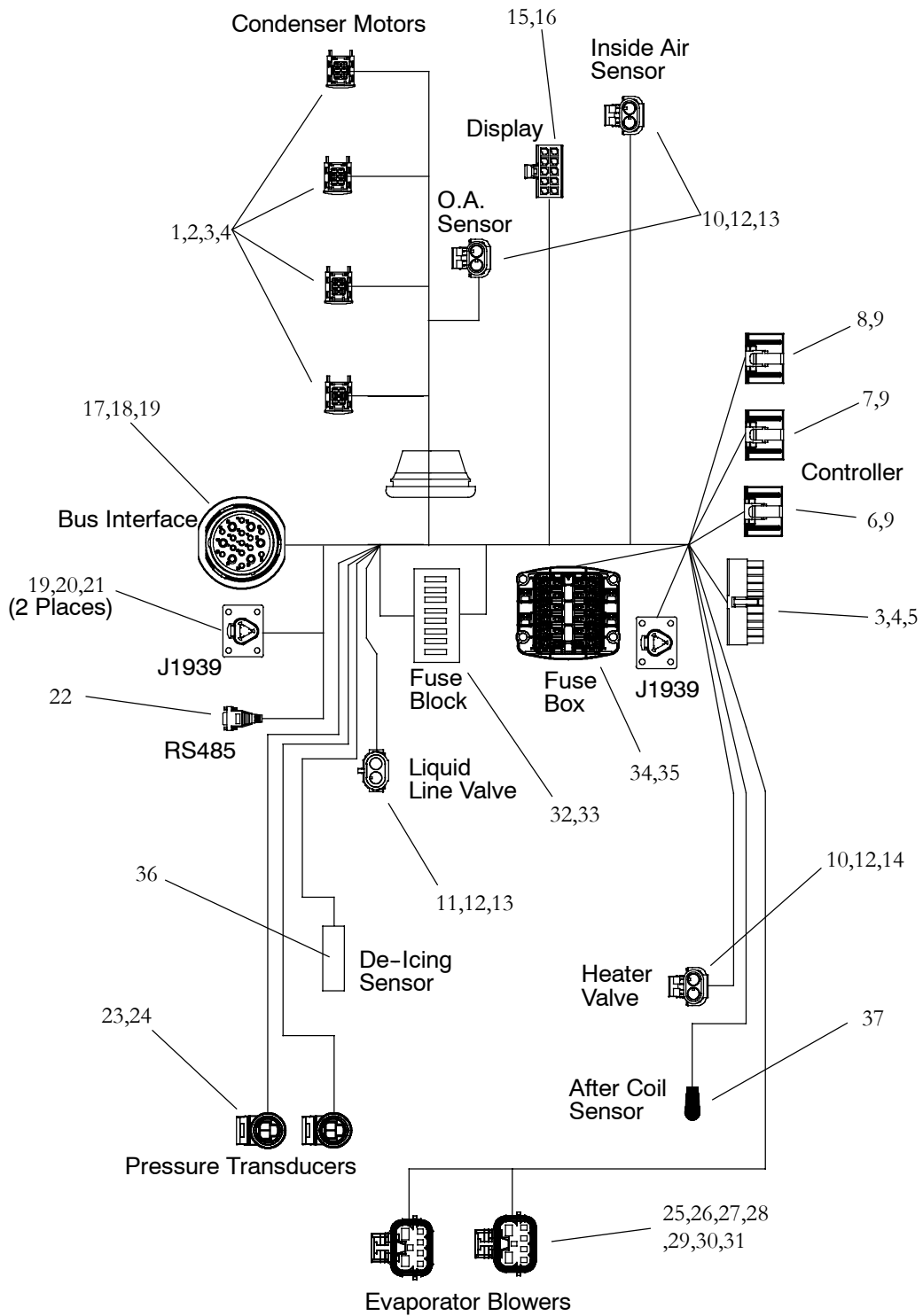
4.3 DRIVER DISPLAY ASSEMBLY



Item	Part Number	Description	Qty
1	35-1029	Driver Display, Eco Temp NG	1
2	24-13957	Bracket, Display	1



**4.4 ELECTRICAL HARNESS, COMPONENTS 25-3525**



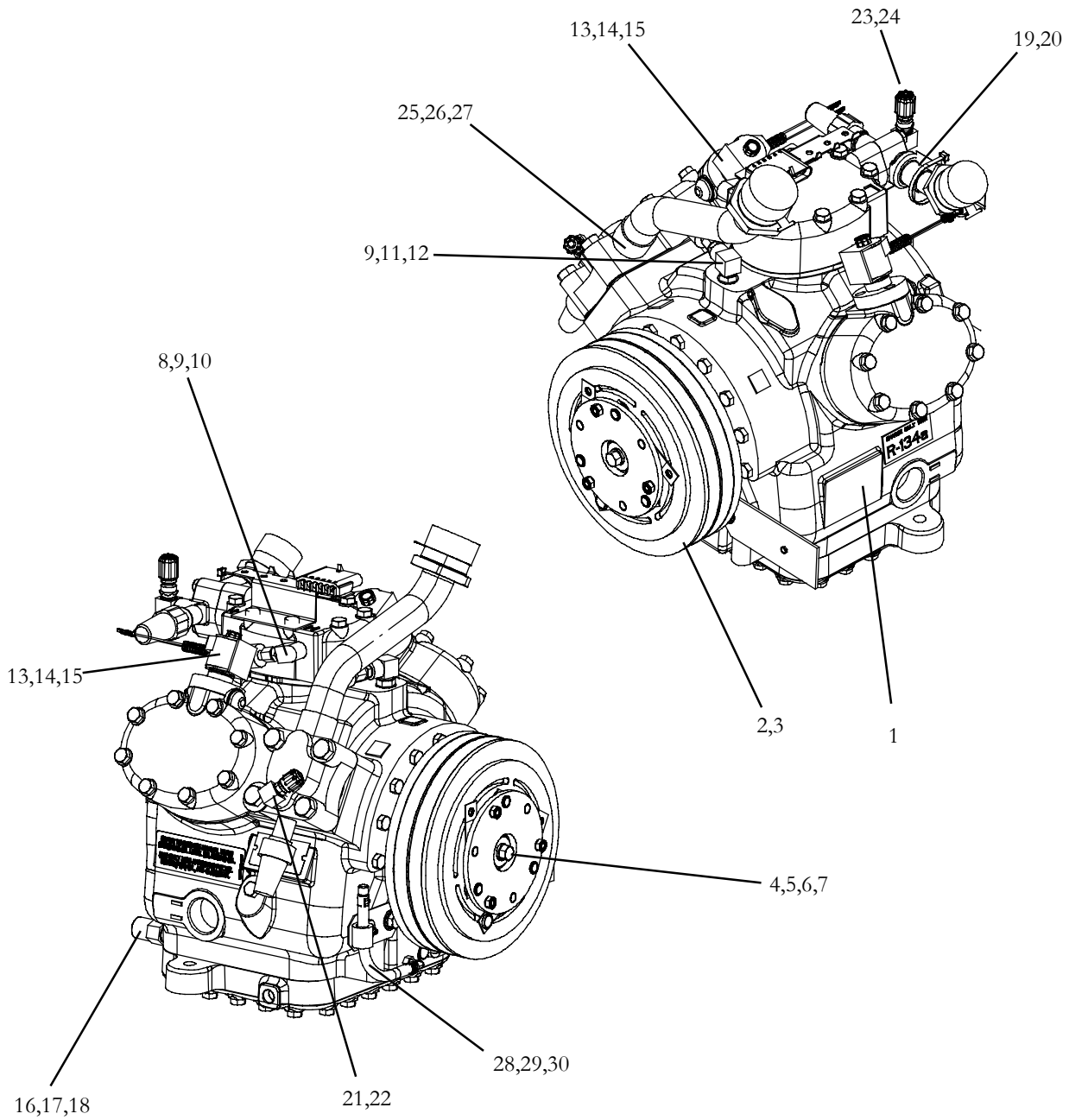
Item	Part Number	Description	Qty
1	31-1865	Timer Connector, 6 Way	4
2	31-1870	Timer Connector, Cavity Plug	12



<b>4.4 ELECTRICAL HARNESS, COMPONENTS 25-3525: (Continued)</b>			
<b>Item</b>	<b>Part Number</b>	<b>Description</b>	<b>Qty</b>
3	31-1674	Terminal, Female 14 GA	14
4	31-1673	Terminal, Female 18 GA	10
5	31-1877	Timer Connector, 22 Way	1
6	31-1880	Connector, Multilock 24P (Green)	1
7	31-1882	Connector, Multilock 24P (Gray)	1
8	31-1881	Connector, Multilock 24P (White)	1
9	31-1908	Contact, 18-22 GA	29
10	31-1025	Connector, WP Tower, 2 Way	3
11	31-1068	Connector, WP Shroud, 2 Way	3
12	31-1131	Seal, WP 18 GA	8
13	31-1267	Terminal, WP Female, 18 GA	6
14	31-1266	Terminal, WP Male, 18 GA	2
15	31-1874	Connector, Centerline, 10 Way	1
16	31-1875	Terminal, Centerline Connector	5
17	31-1894	Connector, Deutsch Circular, 19 Way	1
18	31-1203	Pin, Deutsch, 12 GA	3
19	31-1857	Pin, Deutsch, 18 GA	13
20	31-1895	Connector, Deutsch 3 Way Flanged	2
21	31-1054	Seal Plug, Deutsch	2
22	28-0637	Cable Cover, DSUB	1
23	31-1295	Connector, Packard Female 3 Way	2
24	31-1296	Terminal, Packard Female 18 GA	6
25	31-1934	Connector, Metri-Pack Female 7 WAY	2
26	31-1935	Lock, Secondary, Metri-Pack	2
27	31-1232	Cavity Plug, Metri-Pack	6
28	31-1314	Seal, Metri-Pack, 22 ga	4
29	31-1088	Terminal, Metri-Pack, Female 22 ga	4
30	31-1564	Terminal, Metri-Pack, Female 10 GA	4
31	31-1476	Seal, Metri-Pack, 14 ga	4
32	31-1923	Receptacle, Quick, 1/4", 22-18 GA	8
33	31-1922	Receptacle, Quick, 1/4", 16-14 GA	4
34	31-1697	Terminal, Female, Delphi Automotive, 14 GA	8
35	31-1943	Terminal, Female, Delphi Automotive, 10 GA	3
36	35-0008	De-Icing Sensor	1
37	35-0176	After Coil Sensor	1
NS	25-3280	Inside Air Sensor Assembly	1
NS	25-0545	Outside Air Sensor Assembly	1



5 Compressor Assembly Y61-05G02-21



Item	Part Number	Description	Qty
1	Y61-05G02-98RMO	Replacement Compressor, 41CFM, Twin Port w/oil	1
	Y61-05G02-98RM	Replacement Compressor, 41CFM, Twin Port w/o oil	1
2	50-01122-12	Clutch Assembly, 24 VDC, 2 -5V Groove: Includes	1
3	50-01122-50	Coil, 24 VDC	1
4	34-00559-10	Screw, Cap Hex Head, 3/8"-24 UNF STL Plated	1

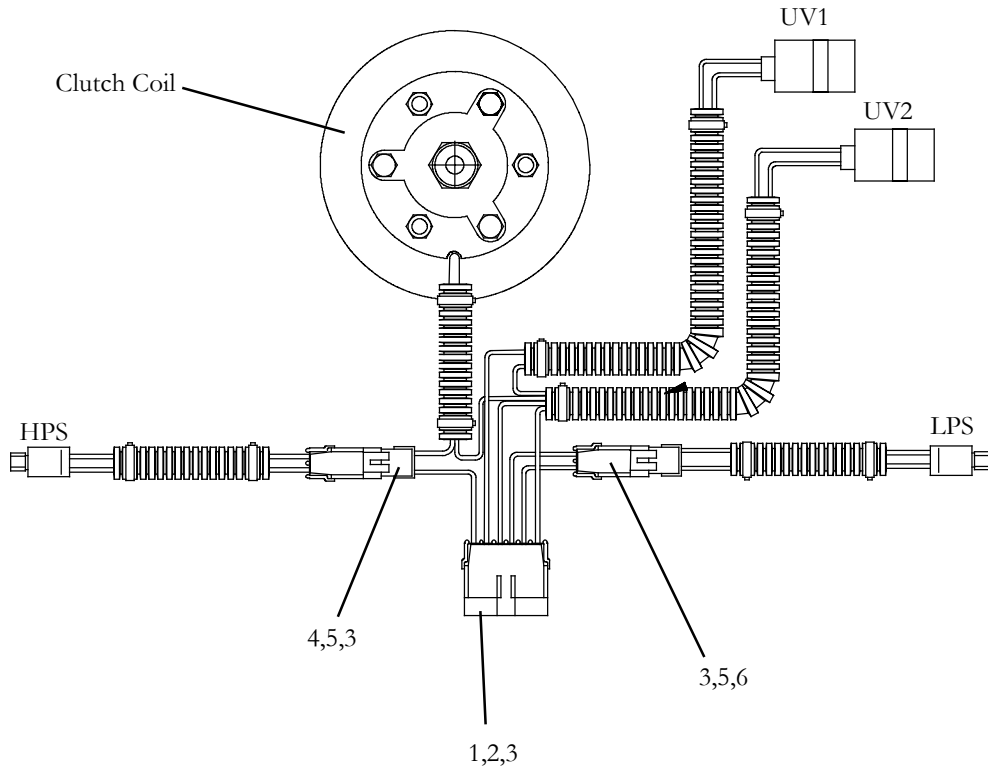


<b>5 Compressor Assembly Y61-05602-21 (Continued)</b>			
<b>Item</b>	<b>Part Number</b>	<b>Description</b>	<b>Qty</b>
5	68-G---2--9082	Washer, Special	1
6	68-G---2--9072	Key	1
7	34-06083-00	Nut, Nyloc, (Retains Pulley on Hub)	1
8	12-00299-22	Switch, High Pressure	1
9	06DA403844	Valve assembly	2
10	14-01093-00	Snubber Assembly, 90 degree	1
11	12-00299-01	Switch, Low Pressure	1
12	40-01166-01	Fitting, 1/4"-18 NPTF x 7/16" - 20 SAE	1
13	22-02804-02	Coil, Unloader, 24 VDC	2
14	22-02393-01	Terminal, Male, 14-16 AWG	4
15	22-02394-00	Seal, Cable	4
16	40-00528-01	Adaptor, 1/4" NPT x 7/16"-20 SAE	1
17	42-00243-07	O-Ring, 0.351 ID x 0.072 THK	1
18	EP23LC090	Valve, 1/4" NPT x 1/4" SAE Flare	1
19	Y27-00127-01	Valve Assembly, Discharge	<b>NSI</b>
20	68-G---2--9152	Gasket, Discharge Service Valve	1
21	40-00520-00	Coupling, R-134a, Low Side	1
22	40-00524-00	Elbow, M13 x 1/4"-18 NPT	1
23	40-00524-01	Elbow, M15 x 1/8"-27 NPT	1
24	40-00520-01	Coupling, R-134a, High Side	1
25	Y27-00127-00	Valve Assembly, Suction	<b>NSI</b>
26	42-00243-02	O-Ring, 1.484 ID x 0.139 THK	1
27	17-40005-05	Gasket, Suction Service Valve	1
28	Y39-00016-01	Clamp, Spring, 7/16" OD Hose	2
29	Y39-00017-04	Plug, 5/16" ID Hose	1
30	Y47-00001-00	Tube, 5/16" ID Hose	1





5.1 Compressor Assembly, Interface Electrical Connectors



Item	Part Number	Description	Qty
1	22-01775-00	Connector, Male 6 Way Weatherpac	1
2	22-02393-00	Terminal, Male, 14 - 16 GA	6
3	22-02394-01	Seal, Cable	10
4	22-01585-00	Connector, Male 2 Way Weatherpac	1
5	22-01566-00	Terminal, Female, 14 - 16 GA	4
6	22-02392-00	Connector, Female 2 Way Weatherpac	1



# PART NUMBER INDEX

## 0

06DA403844	12
08-67026-02	3

## 1

101-203	4
12-00299-01	12
12-00299-22	12
12-00352-00	1
14-00111-00	4
14-00236-51	2
14-01032-11	4
14-01093-00	12
15-9814	2
15-9834	5
17-40005-05	12

## 2

21-2226	1
22-01566-00	13
22-01585-00	13
22-01775-00	13
22-02392-00	13
22-02393-00	13
22-02393-01	12
22-02394-00	12
22-02394-01	13
22-02804-02	12
22-1339	1
24-13957	8
25-0545	10
25-0569	6
25-0610	6
25-0684	6
25-0685	6
25-0688	6
25-1905	2
25-2161	1

25-2580	6
25-3162	7
25-3280	10
25-3543	6
26-0658	5
26-0663	2
26-1241	2
26-1242	2
26-1242-50	2
26-1286	2
26-2093	1
27-0069	5
27-0161	4
27-0506	1
27-0602	4
27-0604	5
27-1720	4
27-1730	2
27-1731	1
27-1734	2, 4, 5
27-1741	4
27-4224	1
27-4225	2
28-0005	2
28-0007	4
28-0009	4
28-0011	4
28-0013	4
28-0332	3
28-0637	10
28-2073	3
29-1078	2

## 3

31-1025	10
31-1054	10
31-1068	10
31-1088	10
31-1131	10

31-1203	10
31-1232	10
31-1266	10
31-1267	10
31-1295	10
31-1296	10
31-1314	10
31-1476	10
31-1564	10
31-1673	10
31-1674	10
31-1697	10
31-1857	10
31-1865	9
31-1870	9
31-1874	10
31-1875	10
31-1877	10
31-1880	10
31-1881	10
31-1894	7, 10
31-1895	7, 10
31-1896	6
31-1908	10
31-1921	6
31-1922	10
31-1923	10
31-1934	10
31-1935	10
31-1943	10
34-00559-10	11
34-06083-00	12
35-0008	10
35-0176	10
35-1029	8
35-1059	7

## 4

40-00491-07	1
40-00491-18	2



# PART NUMBER INDEX

40-00501-05	2	50-01122-50	11	<b>E</b>	
40-00501-12	5				
40-00520-00	12			EP23LC090	12
40-00520-01	12	<b>6</b>			
40-00524-00	12	68-G---2--9072	12	<b>Y</b>	
40-00524-01	12	68-G---2--9082	12		
40-00528-01	12	68-G---2--9152	12	Y26-00005-01	4
40-01124-00	1			Y27-00127-00	12
40-01166-01	12			Y27-00127-01	12
40-60009-04	2, 5	<b>7</b>		Y39-00016-01	12
42-00243-02	12	73-67002-00	5	Y39-00017-04	12
42-00243-07	12			Y47-00001-00	12
		<b>8</b>		Y61-05G02-98RM	11
<b>5</b>		801-446-2	5	Y61-05G02-98RMO	11
50-01122-12	11				

# Every driver deserves the best possible vehicle climate with MCC products

MCC provides exceptional performance in mobile climate comfort.



[www.mcc-hvac.com](http://www.mcc-hvac.com)

Member of MCC Group • Certified ISO 9001 and ISO 14001.  
Specifications subject to change without notice. MCC is a registered trademark.