



SIBERIAN 20 / 25 / 30

Roof top HVAC unit for diesel buses

The Siberian family of compact roof mount air-conditioning unit has been developed and enhanced to meet the varied demands best suited to the global bus and coach market. Three capacity versions will suit most medium and large bus roof mount applications. Microchannel Heat Exchangers (MCHX), aluminum evaporator coil and piping allows lowest possible weight.

High part similarity with all members of the product family, very flexible interface to the bus roof and optimal accessibility to service parts perfectly meets bus producer and bus operator expectations. For the maximum passenger and driver comfort, the Siberian product family systems are coupled with MCC's advanced control system.

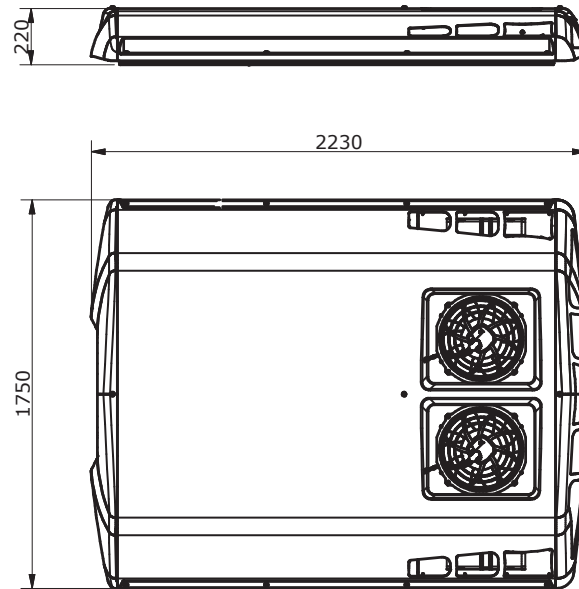


Features

- Many common parts with the AE unit and heat pump
- Slim design
- Condensing section designed for optimal airflow
- Access to the air filter, filter dryer, TXV from return air opening. Access of other internal parts through the hinged one-piece cover
- Long-life brushless blowers, 380mm fans
- Full aluminum refrigerant circuit, MCHX condenser
- 3 cooling capacity variants
- One roof interface for all variants, different roof adaptors
- Options: 20 or 40% FA, central air variant, different MCC controllers from basic to high end
- Refrigeration (suction, discharge), heating (glycol), front box connection flexible left or right

Benefits

- Fewer part numbers reduced the spare part variety
- Modern appearance, good aerodynamics
- Allows high-efficiency operations and best performance in high ambient condition
- Best serviceability. Saves time for seasonal maintenance or other service
- High reliability and efficiency, up to 40.000 hours life cycle
- Low weight, environmentally friendly
- Can be used for different climate zones
- Same fixation points in the roof structure, fits for roof curvatures from flat to 6m
- Multiple options, high flexibility
- Easy to apply to any bus model, variant



Technical Data

	Siberian 20	Siberian 25	Siberian 30
Cooling capacity MAX ⁽¹⁾	16 kW	24 kW	30 kW
Cooling capacity ARI ⁽²⁾	11 kW	17 kW	21 kW
Heating capacity (Q80)	18 kW	38 kW	18 kW
Length x Width x Height	2230 mm x 1750 mm x 220 mm	2230 mm x 1750 mm x 220 mm	2230 mm x 1750 mm x 220 mm
Weight	85 kg	90 kg	95 kg
Air flow (Max)	4400 m ³ /h	4400 m ³ /h	4400 m ³ /h
Current draw Max (24VDC)	50 A	64 A	64 A
Current draw Nom (24VDC)	33 A	42 A	42 A
Refrigerant	R134a	R134a	R134a

[1] Maximum cooling condition (MAX) ti 40 °C/ ta 35 °C/ 50%

[2] Nominal cooling condition (ARI) ti 27 °C/ ta 35°C/ 50%



Mobile Climate Control