



Mobile Climate Control

T-348PL Manual



SERVICE PARTS for

68AC353-102, Y50-35304 & Y50-35305

Rooftop Units

(Micromax and EcoTemp Microprocessors)

T-348PL

REV. 10/2018



TABLE of CONTENTS

INTRODUCTION	i
1 INTRODUCTION	i
Table 1-1 Option Legend	iii
Table 1-2 Option Table	v
1 EVAPORATOR HOUSING KITS (All Models) Option 1	1
1.1 Evaporator Housing Kit - Connected	1
1.2 Evaporator Housing Assembly	2
1.2 Evaporator Housing Assembly (Continued)	3
2 EVAPORATOR AIR EXCHANGE KIT : Option 1	4
3 EVAPORATOR BLOWER KITS	5
3.1 Evaporator Blower Kit, (6) Brushless Motors: Option 1	5
3.2 Evaporator Blower Kit, (6) Permanent Magnet Motors: Option 2	6
3.3 Evaporator Blower Kit, (8) Brushless Motors: Option 3	7
4 EVAPORATOR COIL KIT - 4 ROW: Option 1 and Option 2	8
4.1 EVAPORATOR COIL KIT - 5 ROW: Option 3	9
5 EVAPORATOR INTERNAL CONNECTION KITS	10
5.1 Evaporator Internal Conn. Kit (Long Liquid Line w/Rear Sol. Valve & In- dash) : Option 1	10
5.2 Evaporator Internal Conn. Kit (Long Liquid Line w/Front Sol. Valve & In- dash): Option 2	11
5.3 Evaporator Internal Conn. Kit (Long Liquid Line w/Rear Sol. Valve & W/O In- dash): Option 3	12
6 EVAPORATOR CONNECTION KIT SUCTION/DISCHARGE	13
6.1 Evaporator Connection Kit S/D (Left ORS Standard Housing): Option 1	13
6.2 Evaporator Connection Kit S/D (Right ORS): Option 2	15
6.3 Evaporator Connection Kit S/D (Right ORS w/Front Box Connection): Option 3	17
6.4 Evaporator Connection Kit S/D, (Right ORS Suction Only), Option 4	18
6.5 Evaporator Connection Kit S/D (Right ORS Liquid and Suction Artic): Option 5	20
6.6 Evaporator Connection Kit S/D (Right ORS) w/o Front Box, #24 Suc. & #16 Dis.: Option 6 ..	22
7 Evaporator Connection Kit - Front Box	24
7.1 Evaporator Connection Kit - Front Box, Left: Option 1	24
7.2 Evaporator Connection Kit - Front Box, Right: Option 2	25
7.3 Evaporator Connection Kit - Front Box, Slave: Option 3	26
7.4 Evaporator Connection Kit - Front Box, Center: Option 4	27
7.5 Evaporator Connection Kit - Front Box, Right Lower: Option 5	28
7.6 Evaporator Connection Kit - Front Box, Without Kit : Option 6	29
8 EVAPORATOR HEATING KIT (2 ROW): Option 1	30
8.1 EVAPORATOR HEATING KIT (1 ROW): Option 2	31
9 HEATING CONNECTION KITS	32
9.1 Heating Connection Kit - Right - With Solenoid Valve : Option 1	32
9.2 Heating Connection Kit - Left - With Solenoid Valve, 4 Ply Silicone Hose : Options 2 , 3 & 4	33
10 EVAPORATOR FILTER KIT	34
10.1 EVAPORATOR FILTER KIT : Options 1 & 2	34
10.2 EVAPORATOR FILTER KIT : Option 3	35
11 EVAPORATOR COVER KITS	36
11.1 Evaporator Cover Kit, Standard (R10M) , RAL 9010 White: Option 1	36
11.2 Evaporator Cover Kit, (R10M) ,CUT Valspar White: Option 2	37
11.3 Evaporator Cover Kit, Evaporator Only Unit With Spoiler (R10M) , Valspar White: Option 3 ..	38



TABLE of CONTENTS

11.4 Evaporator Cover Kit, (R10M) , CUT, Aztech, Frost White: Option 4 39
11.5 Evaporator Cover Kit, (R10M) , SEPTA White W/Cut Out: Option 5 40
12 EVAPORATOR ELECTRICAL COMPONENTS: COMMON 41
12.1 Electrical Harness Connectors and Terminals: Common 42
13 ELECTRICAL CONTROL PANELS 44
13.1 GR60 Relay Board - Option 1 (Right) and (Left) 44
13.2 Micromax Relay Board - Option 2 45
13.3 Brushless Slave Unit: Option 3 46
13.4 MicroMax Relay Board W/CAN & RRAS Thermistor: Option 4 47
13.5 MicroMax Relay Board W/CAN (NYCTA & TCC): Option 5 49
13.6 MicroMax Relay Board W/CAN (SEPTA): Option 6 50
13.7 MicroMax Relay Board w/CAN Data (Right- Drain Plates): Option 7 51
13.8 Basic Relay Panel, EnviroMATE (24 VDC): Option 8 52
13.9 MicroMax Relay Board, Brushless, W/CAN & RRAS and FTS Sensors: Option 9 53
13.10 GR60 Relay Board - Option 10 (Used on 68AC353- 102- 5 after April 2015) 54
13.11 MicroMax Relay Board, Brushless, W/CAN & RRAS and FTS Sensors: Option 11 55
13.12 EcoTemp Control Panel - Option 12 & 16 (Used on 68AC353- 102- 22) 56
13.13 EcoTemp Control Panel - Option 13 & 17 (Used on 68AC353- 102- 23) 57
13.14 EcoTemp Control Panel - Option 14 & 15 (Used on 68AC353- 102- 24 & Y50- 35305- 00) ... 58
14 CONDENSER KIT - SINGLE CIRCUIT (ALL MODELS) 59
15 CONDENSER COVER KITS 60
15.1 Condenser Cover Kit - Option 1- Standard R10M, RAL 9010, White (Skins) 60
15.2 Condenser Cover Kit - Option 2- Standard R10M, Valspar White (Skins) 61
15.3 Condenser Cover Kit - Option 3- Standard R10M, Valspar Frost White (Skins) 62
15.4 Condenser Cover Kit - Option 4- Standard R10M, 8 Fan, Valspar White (Skins) 63
16 CONDENSER FAN KITS 64
16.1 Condenser Fan Kit - 4 Brushless Motors: Option 1 64
16.2 Condenser Fan Kit - 4 Permanent Magnet Motors: Option 2 65
16.3 Condenser Fan Kit - 6 Brushless Motors: Option 3 66
16.4 Condenser Fan Kit - 6 Permanent Magnet Motors: Option 4 67
16.5 Condenser Fan Kit - 6 Brushless Motors (EBM): Option 5 68
16.6 Condenser Fan Kit - 4 Brushless Motors (EBM): Option 6 69
16.7 Condenser Fan Kit - 8 Brushless Motors (EBM): Option 7 70
17 CONDENSER CONNECTION KIT 71
17.1 Condenser Connection Kit - Single Circuit: Options 1, 2 & 3 71
17.2 Condenser Connection Kit - Single Circuit: Option 4 73
17.3 Condenser Connection Kit - Single Circuit- Dual Receivers: Option 5 75
17.4 Condenser Connection Kit - Single Circuit: Option 6 77
18 CONDENSER ELECTRICAL KIT 79
18.1 Condenser Electrical Kit, Permanent Magnet Motors (4 or 6 Motors): Option 1 79
18.2 Condenser Electrical Kit - Brushless Motors (4 or 6 Motors): Option 2 80
18.3 Condenser Electrical Kit - Brushless Motors (4 or 6 Motors): Option 3 81
18.4 Condenser Electrical Kit - Brushless Motors w/Weatherpac (6 Motors): Option 4 82
18.5 Condenser Electrical Kit - Brushless Motors (8 Motors): Option 5 83
18.6 Condenser Electrical Kit - EcoTemp, Brushless Motors (4 or 6 Motors): Option 6 84



TABLE of CONTENTS

19	MICROMATE CONTROL PANEL and HARNESS	85
20	MISCELLANEOUS COMPONENTS	86
21	CHECK VALVE ASSEMBLIES	87
21	CHECK VALVE ASSEMBLIES (Continued)	88



INTRODUCTION

1 INTRODUCTION

The Mobile Climate Control model 68AC353-102 series units are of lightweight frame construction, designed to be installed on the vehicle roof.

2 CONFIGURATION IDENTIFICATION

Unit identification information is provided on a plate located inside the condenser and evaporator sections. The plate provides the unit model number, the unit serial number and the unit parts identification number (PID). The model number identifies the overall unit configuration while the PID provides information on specific optional equipment and differences in detailed parts.

The following paragraph provides descriptions of the options provided.

3 OPTION DESCRIPTION

Various options may be factory or field equipped to the base unit. These options are listed and described in the following subparagraphs.

3.1 Condenser Cover (Skins)

The condenser section may be fitted with one of two different cover assemblies dependent upon the curvature of the bus roof. The assemblies available are identified as the 10 M radius cover.

3.2 Condenser/Evaporator Electrical Kit

The 68AC353 systems are available with either 24 Volt permanent magnet motors or 24 Volt brushless motors.

3.3 Condenser Fan Kit

The 68AC353 condenser kits are available with either 4, 6, or 8 fans, with either permanent magnet or brushless motors.

3.4 Condenser Refrigerant Kit

The 68AC353 condensers are all fitted with a condenser coil, a receiver with sight glasses and fusible plug, a charge isolation valve and interconnecting tubing.

3.5 Evaporator Cover (Skins)

The evaporator section may be fitted with one of two different cover assemblies dependent upon the curvature of the bus roof. The assemblies available are identified as the 10 M radius cover.

3.6 Evaporator Blower Kit

The 68AC353 evaporator kits are available with either 4, 6, or 8 blowers, with either permanent magnet or brushless motors.

3.7 Evaporator Connection Kit S/D

The evaporator units are assembled to allow orientation of the connections for different mounting arrangements and may be supplied with various refrigerant piping layouts for specific applications.

3.8 Evaporator Connection Kit - Indash

The evaporator units are assembled to allow connections for various refrigerant piping layouts for remote evaporators.

3.9 Evaporator Connection Kit - Heating

The evaporator units are assembled to allow various engine coolant piping layouts for specific heating applications.

3.10 Air Exchange Kit

The unit will be fitted with a fresh air exchange assembly or an air exchange blank off plate. Fresh air exchange assemblies provide 25% air exchange.

3.11 Controller Kit

The units are controlled by either the MCC Micromax or MCC EcoTemp microprocessor controllers and may be interrogated through the optional CAN +/- Data Communication Link.



4 ORDERING INSTRUCTIONS

All orders and inquiries for parts must include: Unit Serial Number, Part No., PID number, description of part as shown on list and quantity required. Parts can be ordered by going to the following Website:

www.mcc-hvac.com

5 GENERAL NOTES

To find replacement parts, determine major group in which replacement part is located. Consult table of contents for the appropriate page for the illustrated breakdown of the replacement part.

The following letter designations are used to classify parts throughout this list.

A/R *As Required*

NSA *Not Stock Assembly* - Order components listed under the assembly.

NSI *Not Stock Item* - Item may or may not be available. If available, a longer lead time will apply.

NSS *Not Sold Separately* - Order next higher assembly or kit.

P-- *Suffix P--* added to part number means part is available in packaged quantity only.

PL *Purchase Locally.*

SST *Stainless Steel* - 300 Series unless otherwise specified.

SV *Suffix SV* added to part number designates service replacement part.

NS *Not Shown* on illustration.



Table 1-1 Option Legend

OPTION	DESCRIPTION
Condenser Kit	
1	Single Circuit
Condenser Cover/Skins Kit	
1	Standard White (R10M)
2	Nova (Cut) Valspar White (R10M)
3	Nova (Cut) Valspar Frost White (R10M)
4	Nova (Cut) Valspar White (R10M) 8 Fan
Condenser Electrical Kit	
1	Condenser Electrical Kit - Brushed Motors
2	Condenser Electrical Kit - Brushless Motors
3	Condenser Electrical Kit - Brushless w/WP
4	Condenser Electrical Kit - Brushed Motors w/WP & ATS
5	Condenser Electrical Kit - 8 Brushless EBM Fan Motors & ATS
6	Condenser Electrical Kit - Brushless-EcoTemp (40 & 60 Foot)
Condenser Fan Kit	
1	24 Volt With 4 Brushless Motors
2	24 Volt With 4 PM Motors
3	24 Volt With 6 Brushless Motors
4	24 Volt With 6 PM Motors
5	24 Volt With 6 EBM Brushless Motors
6	24 Volt With 4 EBM Brushless Motors
7	24 Volt With 8 EBM Brushless Motors
Condenser Connection Kit	
1	Single Circuit- 3 Valves Pre-charged
2	Single Circuit- 3 Valves- Pre-charged (Used with RF353 Evap) (ADDA)
3	Single Circuit- 3 Valves Pre-charged (with moisture indicator)
4	Single Circuit- Less Valves
5	Single Circuit- Dual Receiver Tanks
6	Single Circuit- 2 Valve Pre-charge

OPTION	DESCRIPTION
Evaporator Cover Kit	
1	Standard Cover (R10M)
2	Cover (R10M) Cut
3	Cover (R10M) With Spoiler
4	Cover (R10M) Cut, Frost White
5	Cover (R10M) Cut (SEPTA)
Evaporator Blower Kit	
1	24 Volt With 6 Brushless Motors
2	24 Volt With 6 Permanent Magnet Motors
3	24 Volt With 8 Brushless Motors
Evaporator Coil Kit	
1	4 Row Coil Refrigeration Kit
2	4 Row Coil Refrigeration Kit w/E-Coat
3	5 Row Coil Refrigeration Kit
Evaporator Internal Connection Kit	
1	Long w/Front Solenoid Valve w/In-Dash
2	Long w/Rear Solenoid Valve w/In-Dash
3	Long w/Rear Solenoid Valve w/o In-Dash
Evaporator Connection Kit S/D	
1	Left - ORS
2	Right - ORS
3	Right - ORS With Out Front Box Connection
4	Right - ORS Suction Only
5	Right - ORS Suction & Liquid (Artic)
6	Right - ORS #24Suction & #16Liquid
Evaporator Connection Kit - Front Box	
1	Right
2	Left
3	Slave
4	Center
5	Right Lower
6	No Kit
Heating Kit (Coil)	
1	2 Row Coil
2	1 Row Coil



Mobile Climate Control

OPTION	DESCRIPTION
Heating Connection Kit	
1	Right W/ Solenoid Valve
2	Left W/ Solenoid Valve and 4 Ply Silicone Hose
3	Left - W/ Solenoid Valve & 4 Ply Silicone Hose (No Front Box Refrigerant Connector)
4	Left - W/ Solenoid Valve & 4 Ply Purosil Silicone Hose
Air Exchange	
1	25%

OPTION	DESCRIPTION
Controller Kit	
1	Micromax With GR60 Relay Board (Right & Left)
2	Micromax Relay Board W/O CAN DATA
3	Brushless Slave Unit
4	Micromax Relay Board With CAN DATA & RRAS
5	Micromax Relay Board With CAN DATA (NYCTA & TCC)
6	Micromax Relay Board With CAN DATA (SEPTA)
7	Micromax Relay Board With CAN DATA (Right Drain Plates)
8	Basic Relay Board (Enviromate 24 vdc)
9	Micromax Relay Board With CAN DATA, RRAS and FTS Sensors
10	Micromax With GR60 Relay Board (Used After April 2015)
11	Micromax With Electronic Relay Board
12	EcoTemp (Front 60 Foot)
13	EcoTemp (Rear 60 Foot)
14	EcoTemp (40 Foot) NYCT
15	EcoTemp (40 Foot) TTC



Table 1-2 Option Table

MODEL 68AC353	PID Condenser AC353C	PID Evaporator AC353E	Condenser Kit	Condenser Skins Kit	Condenser Electrical Kit	Condenser Fan Kit	Condenser Connection Kit	Evaporator Blower Kit	Evaporator Connection Kit S/D	Evaporator Connection Kit In Dash	Evaporator Coil Kit	Evaporator Internal Connection Kit	Heating Kit	Heating Connection Kit
-102	00001	00001	1	1	1	2	3	2	1	2	1	2	1	1
-102-1	00002	00002	1	1	2	1	1	1	1	2	1	2	1	1
-102-2	00003	00003	1	2	2	3	3	1	2	1	1	2	1	2
-102-3	00004	00004	1	2	2	3	3	1	5	1	1	1	1	4
-102-4	00005	00005	1	2	1	2	3	2	2	1	1	2	1	2
-102-5	00006	00006	1	2	1	2	4	2	2	6	1	2	1	2
-102-6	00007	00007	1	2	2	1	3	1	2	1	1	1	1	2
-102-7	00008	00008	1	2	2	1	3	1	2	1	1	2	1	2
-102-8	-	00009	-	-	-	-	-	1	4	3	1	3	1	4
-102-9	00010	00010	1	2	1	4	4	2	2	6	1	2	-	-
-102-10	00011	-	1	2	3	3	2	-	-	-	-	-	-	-
-102-11	00012	00011	1	3	1	2	3	2	2	1	1	2	1	2
-102-12	00013	00012	1	2	2	1	3	1	2	4	1	1	1	3
-102-13	00014	00013	1	2	2	3	3	1	5	1	1	1	1	2
-102-14	00015	00014	1	2	4	4	3	2	5	1	1	1	1	2
-102-15	00016	00015	1	2	1	4	3	2	5	1	1	1	1	2
-102-16	00017	00016	1	2	3	1	3	1	6	1	2	1	1	4
-102-17	00018	00017	1	2	3	3	3	1	5	1	2	1	1	4
-102-18	00019	00018	1	2	3	1	3	1	2	1	2	1	1	2
-102-19	00020	00019	1	2	3	6	3	1	6	1	2	1	1	4
-102-20	00021	00020	1	2	3	3	3	3	6	1	3	1	2	4
-102-21	00022	00021	1	2	3	1	3	1	2	1	2	1	1	2
-102-22	00023	00022	1	2	6	3	3	1	5	1	1	1	1	4
-102-23	-	00023	-	-	-	-	-	1	4	3	1	3	1	4
-102-24	00024	00024	1	2	6	1	3	1	6	1	2	2	1	4

MODEL Y50-35304	PID Condenser Y50-35304	PID Evaporator Y50-35304	Condenser Kit	Condenser Skins Kit	Condenser Electrical Kit	Condenser Fan Kit	Condenser Connection Kit	Evaporator Blower Kit	Evaporator Connection Kit S/D	Evaporator Connection Kit In Dash	Evaporator Coil Kit	Evaporator Internal Connection Kit	Heating Kit	Heating Connection Kit
-01	-51	-76	1	4	5	7	5	1	5	1	3	1	2	4



Table 1-2 Option Table (Continued)

MODEL Y50-35305	PID Condenser Y50-35305	PID Evaporator Y50-35305	Condenser Kit	Condenser Skins Kit	Condenser Electrical Kit	Condenser Fan Kit	Condenser Connection Kit	Evaporator Blower Kit	Evaporator Connection Kit S/D	Evaporator Connection Kit In Dash	Evaporator Coil Kit	Evaporator Internal Connection Kit	Heating Kit	Heating Connection Kit
-00	-50	-75	1	2	6	1	6	1	5	-	1	3	1	4
-02	-52	-77	1	2	6	3	6	1	5	1	1	4	1	4
-03	N/A	-78	-	-	-	-	-	1	4	3	1	4	1	4
-04	-53	-79	1	2	6	1	6	1	5	-	1	3	1	4



Table 1-2 Option Table (Continued)

MODEL 68AC353	PID Condenser AC353C	PID Evaporator AC353E	Air Exchange Kit	Air Filter Kit	Evaporator Cover Kit	Electrical Control Panels
-102	00001	00001	1	2	1	1
-102-1	00002	00002	1	1	1	7
-102-2	00003	00003	1	2	2	2
-102-3	00004	00004	1	2	2	5
-102-4	00005	00005	1	2	2	1
-102-5	00006	00006	1	2	2	1&10
-102-6	00007	00007	1	2	2	4
-102-7	00008	00008	1	2	2	2
-102-8	-	00009	1	2	3	3
-102-9	00010	00010	1	2	2	1
-102-10	00011	-	-	-	-	-
-102-11	00012	00011	1	2	4	1
-102-12	00013	00012	1	2	5	6
-102-13	00014	00013	1	2	2	5
-102-14	00015	00014	1	2	2	8
-102-15	00016	00015	1	2	2	1
-102-16	00017	00016	1	2	2	9
-102-17	00018	00017	1	2	2	9
-102-18	00019	00018	1	2	2	9
-102-19	00020	00019	1	2	2	9
-102-20	00021	00020	1	3	2	9
-102-21	00022	00021	1	2	2	9
-102-22	00023	00022	1	2	2	12
-102-23	-	00023	1	2	3	13
-102-24	00024	00024	1	2	2	14

MODEL Y50-35304	PID Condenser Y50-35304	PID Evaporator Y50-35304	Air Exchange Kit	Air Filter Kit	Evaporator Cover Kit	Electrical Control Panels
-01	-51	-76	1	3	2	11



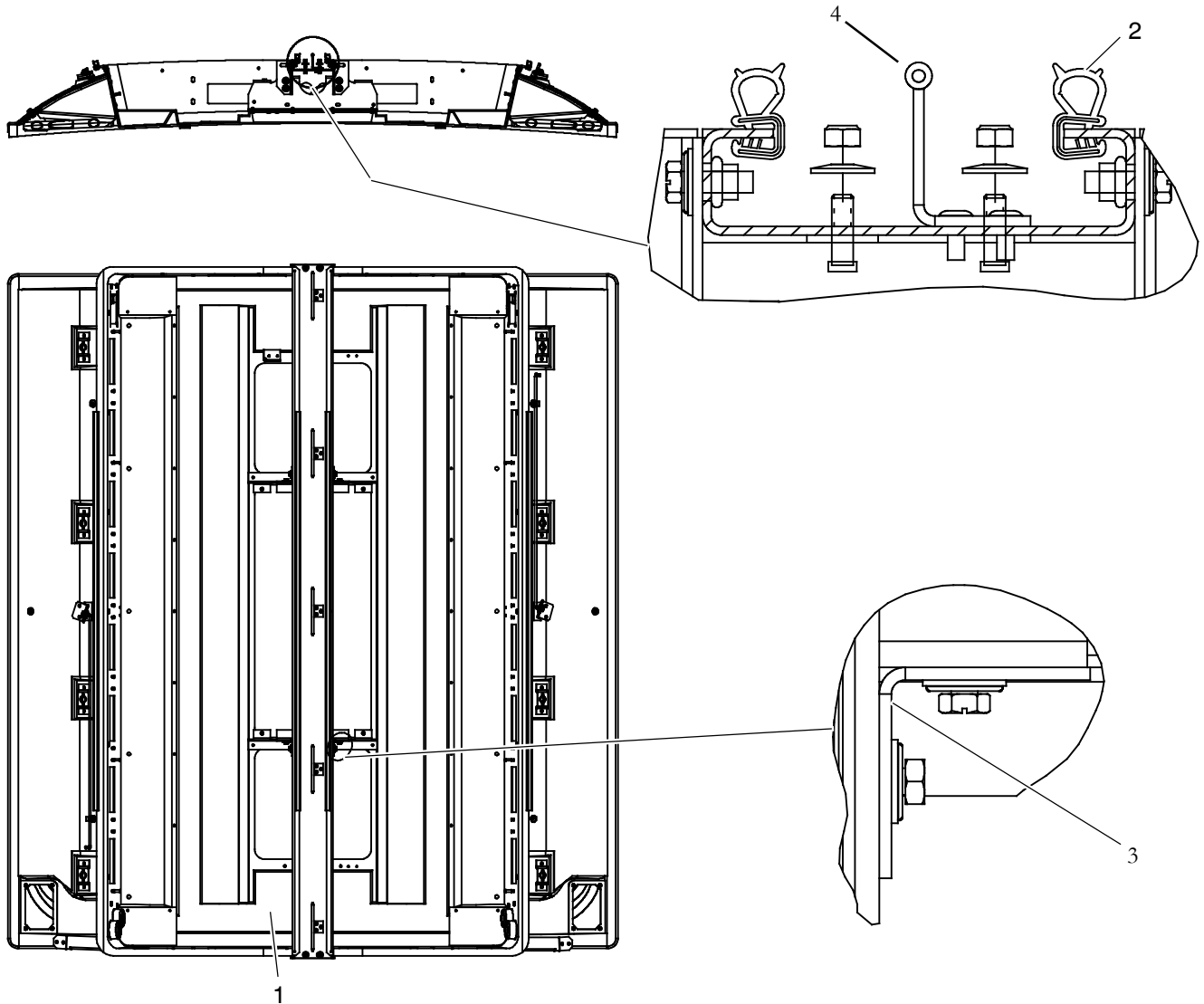
Table 1-2 Option Table (Continued)

MODEL Y50-35305	PID Condenser Y50-35305	PID Evaporator Y50-35305	Air Exchange Kit	Air Filter Kit	Evaporator Cover Kit	Electrical Control Panels
-00	-50	-75	1	2	2	15
-02	-52	-75	-	3	2	16
-03	N/A	-75	-	3	3	17
-04	-53	-75	-	3	2	15



1 EVAPORATOR HOUSING KITS (All Models) Option 1

1.1 Evaporator Housing Kit - Connected



NOTE: REF: Kit 77-00318-01 Refers to Evaporator Only Model with Spoiler Bracket. Spoiler Brackets are NOT Considered Replacement Parts

REF: 77-00318-00

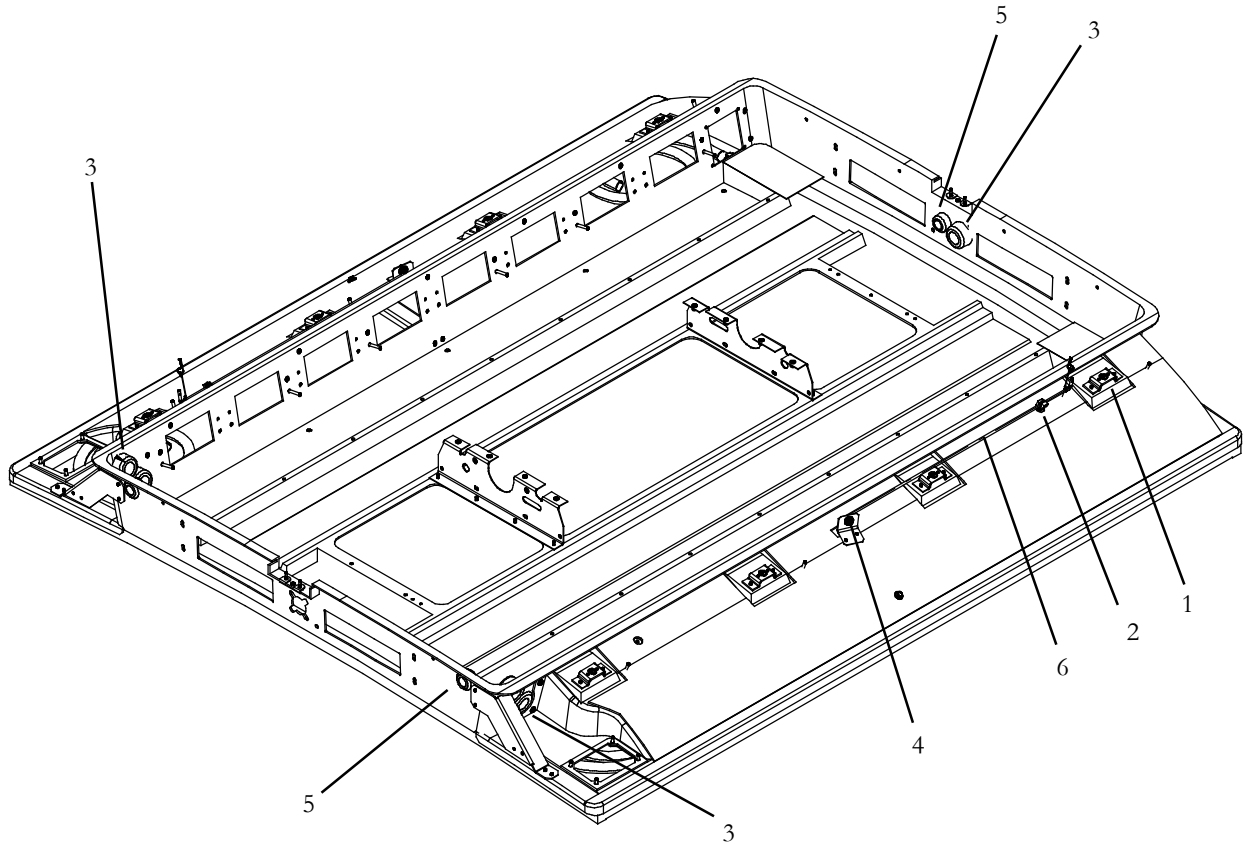
REF: 77-00318-01

REF: Y19-35329-00

Item	Part Number	Description	Qty
1	NSI	Housing Assembly, Evaporator, See Section 1.2	1
2	Y39-00047-00	Trim Seal, Bulb Type	34.06'
3	Y24-00019	Bracket, Control Panel Support	4
4	86-67036-00	Hinge, Double Pin	5



1.2 Evaporator Housing Assembly

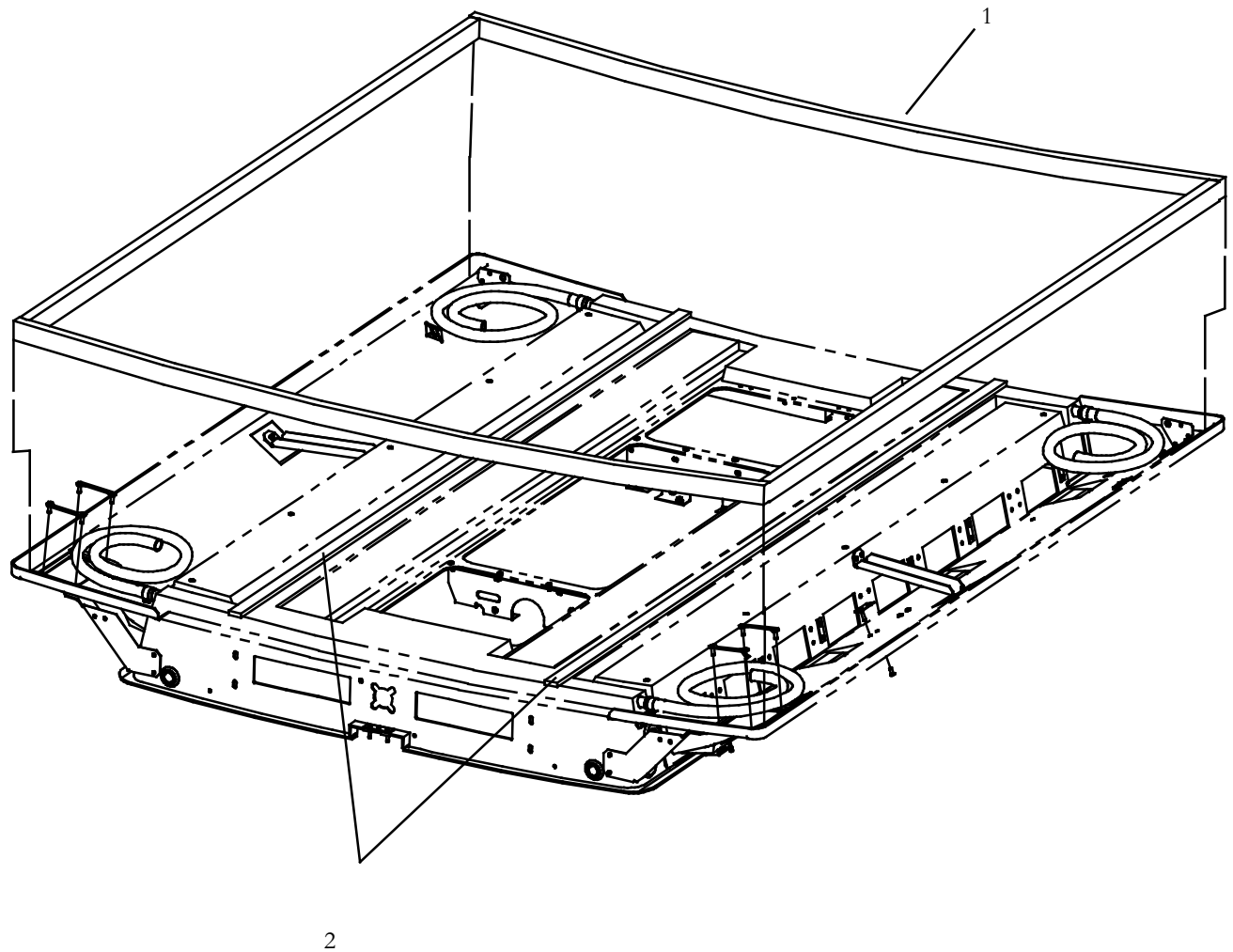


REF: 79-62144-00, 01, 03 & 04

Item	Part Number	Description	Qty
1	34-67022-00	Receptacle, Locking Plate	8
2	44-67014-00	Clip, Prop Rod	2
3	58-60298-05	Grommet, 1.89" (48.01) ID x 1.38" (35.05) thru ID x 0.16" G	A/R
4	58-60302-01	Grommet, DG9	2
5	58-60298-04	Grommet, 1.50" (38.1) ID x 1.02" (25.91) thru ID x 0.16" G	A/R
6	Y24-00056-00	Prop Rod	2



1.2 Evaporator Housing Assembly (Continued)

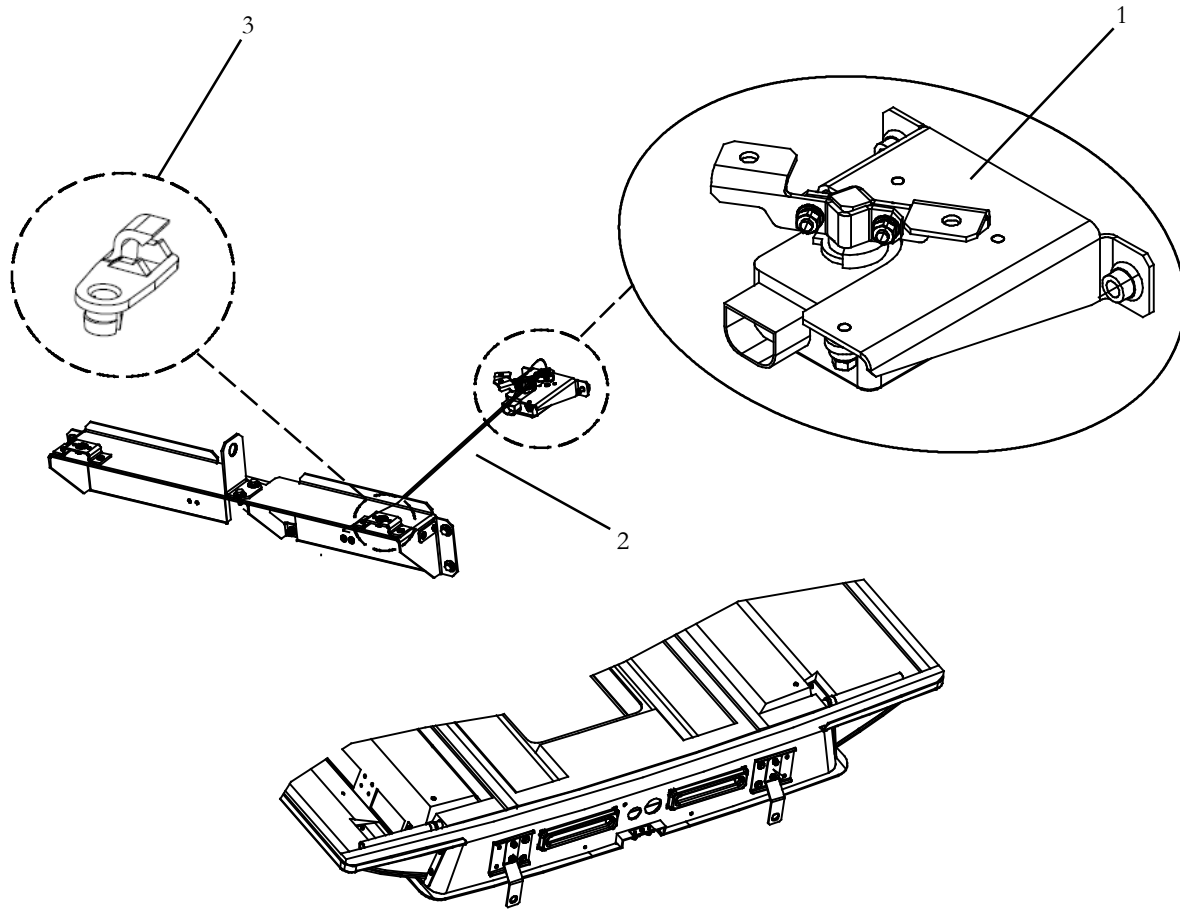


REF: 79-62144-00, 01, 03 & 04

Item	Part Number	Description	Qty
-	NSI	Housing Assembly - Includes:	1
1	42-67021-01	Gasket, Base Assembly	1
2	42-67009-06	Gasket	2



2 EVAPORATOR AIR EXCHANGE KIT : Option 1



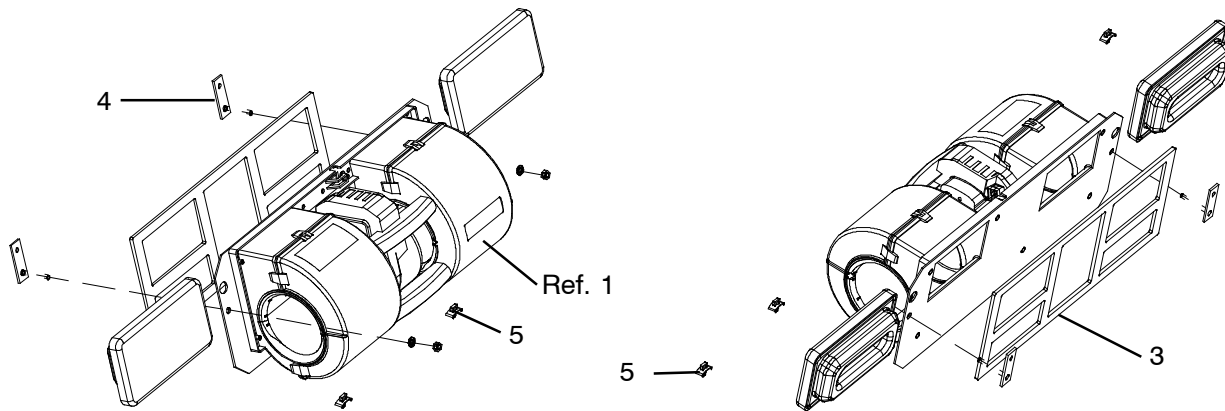
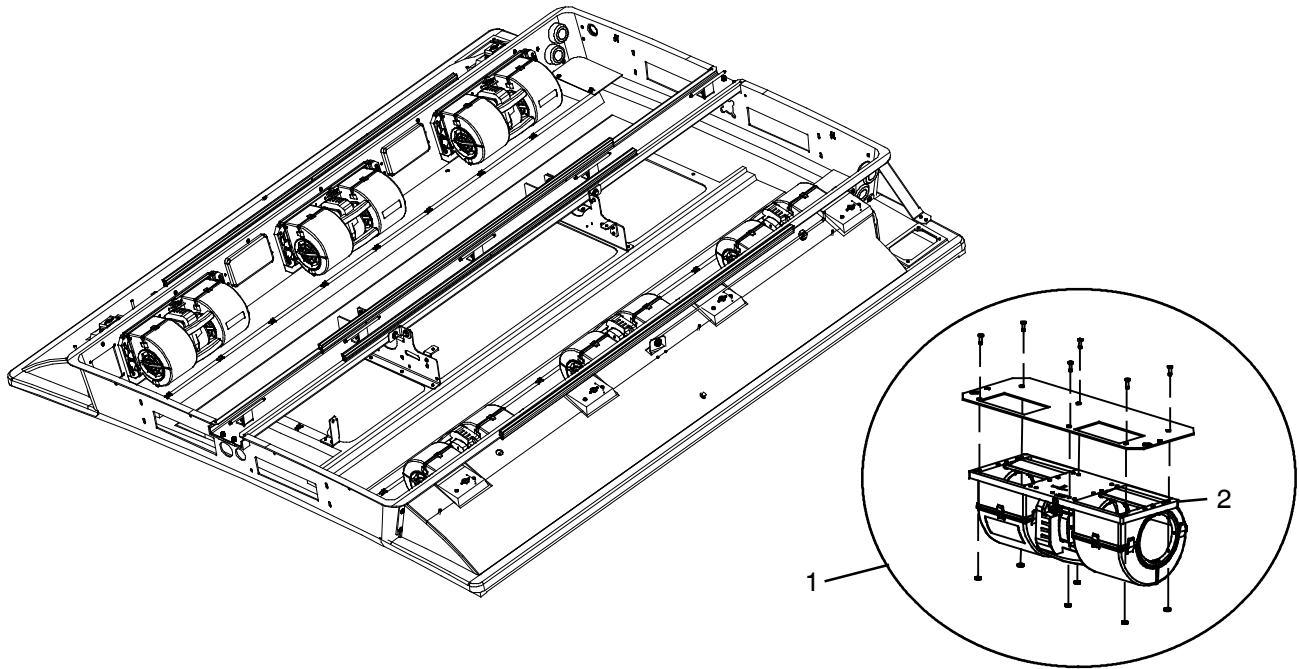
REF: 77-62276-02

Item	Part Number	Description	Qty
1	79-67073-00	Motor Assembly	1
2	73-67008-00	Rod, Linkage	1
3	44-67008-00	Clip, Flap	2



3 EVAPORATOR BLOWER KITS

3.1 Evaporator Blower Kit, (6) Brushless Motors: Option 1

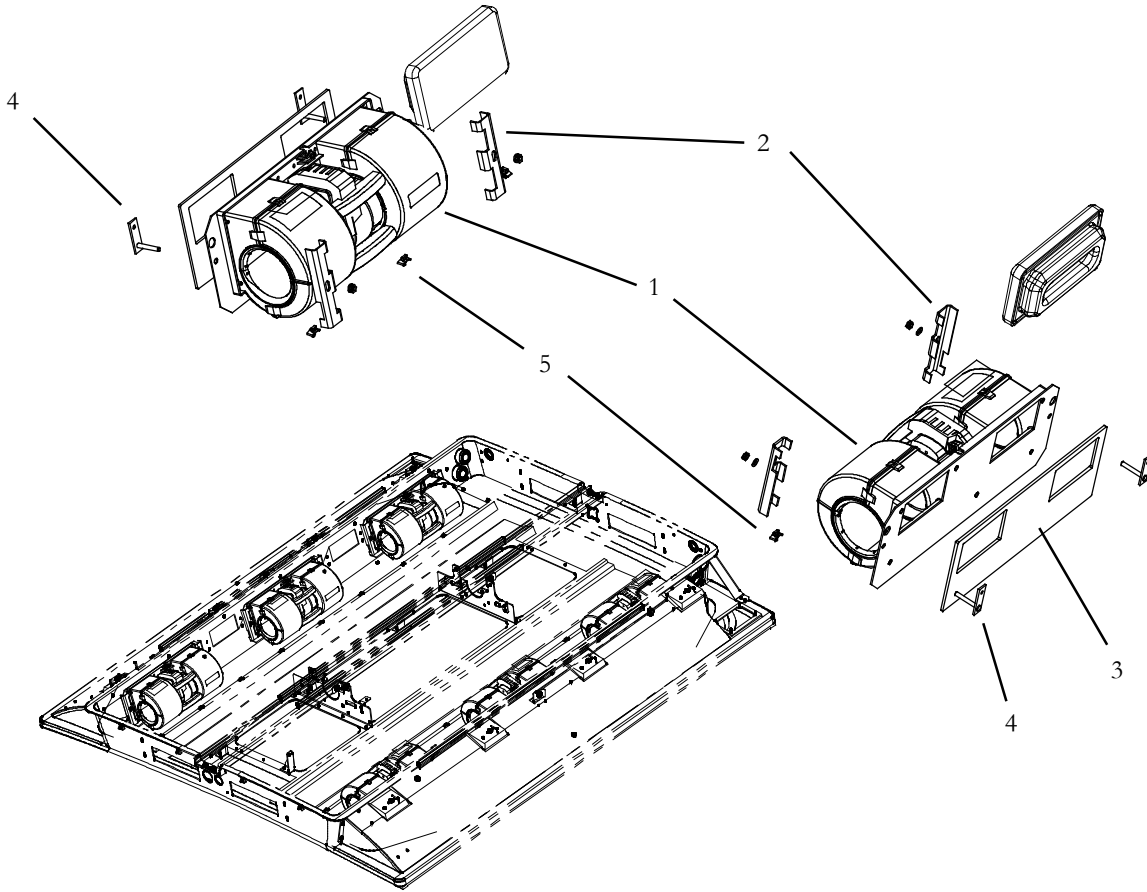


Kit 77-62256-01 E

Item	Part Number	Description	Qty
1	79-62139-00	Blower/Motor Assembly, Brushless With Plate, 24VDC - Includes:	6
2	54-00627-02	Blower Assembly, 24VDC 3830 RPM	1
3	42-62161-00	Gasket, Blower/Motor Assembly, Adhesive Backed	6
4	67-67013-00	Support Assembly, Blower, 2.5mm Thick, Aluminum.	12
5	58-04315-00	Base, Mounting, 0.250 Diameter Mounting. Hole, Nylon	23



3.2 Evaporator Blower Kit, (6) Permanent Magnet Motors: Option 2

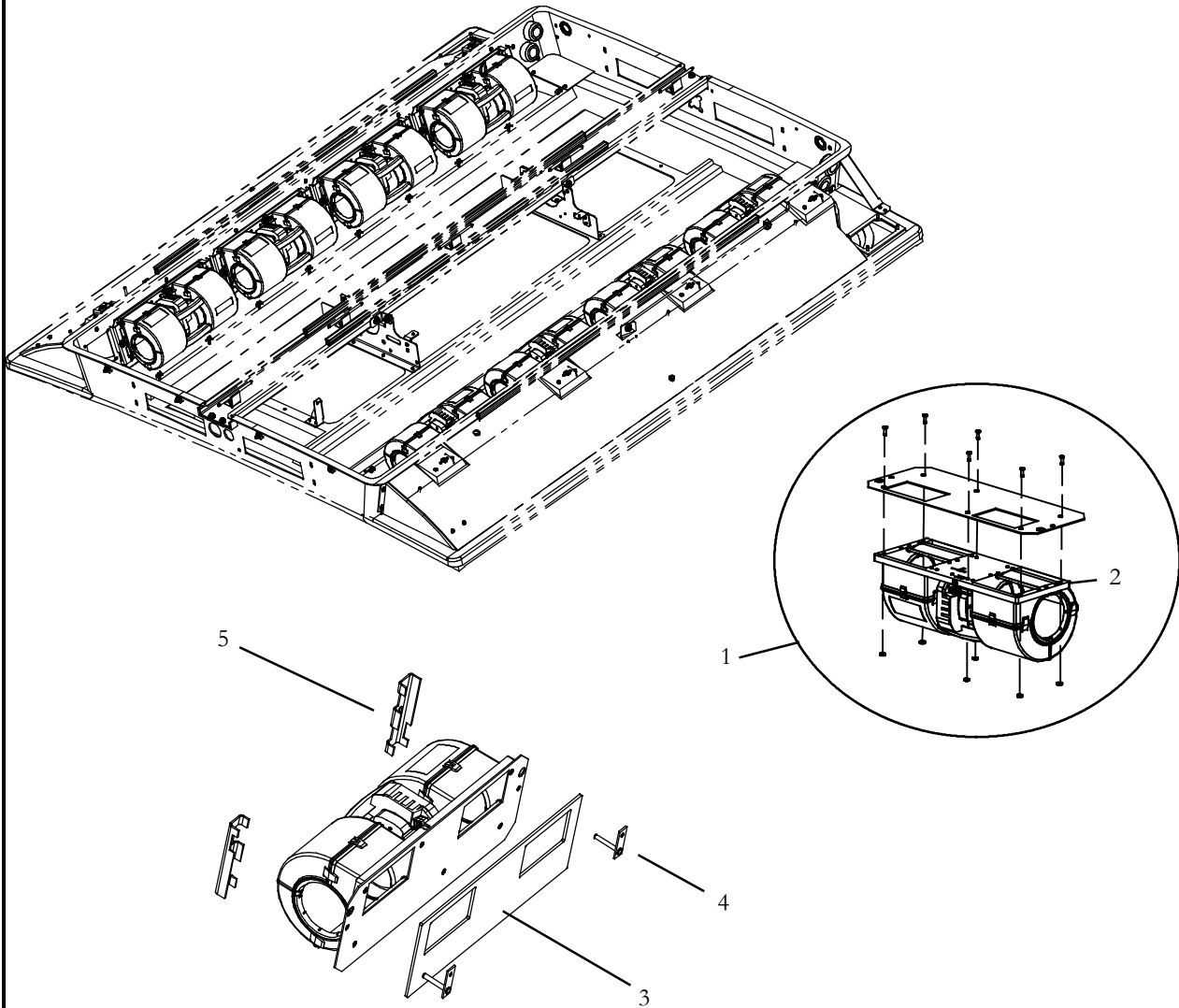


REF: 77-62256-09E

Item	Part Number	Description	Qty
1	15-15032	Blower/Motor Assembly, Permanent Magnet, 24VDC	6
2	68-62967-00	Bracket, Blower Mounting	12
3	Y38-00012-01	Gasket, Blower/Motor Assembly, Adhesive Backed	6
4	67-67013-00	Support Assembly, Blower, M6 SST, Standard	4
5	58-04315-00	Base, Mounting, 0.25" (6.35) DIA MTG Holes	18



3.3 Evaporator Blower Kit, (8) Brushless Motors: Option 3

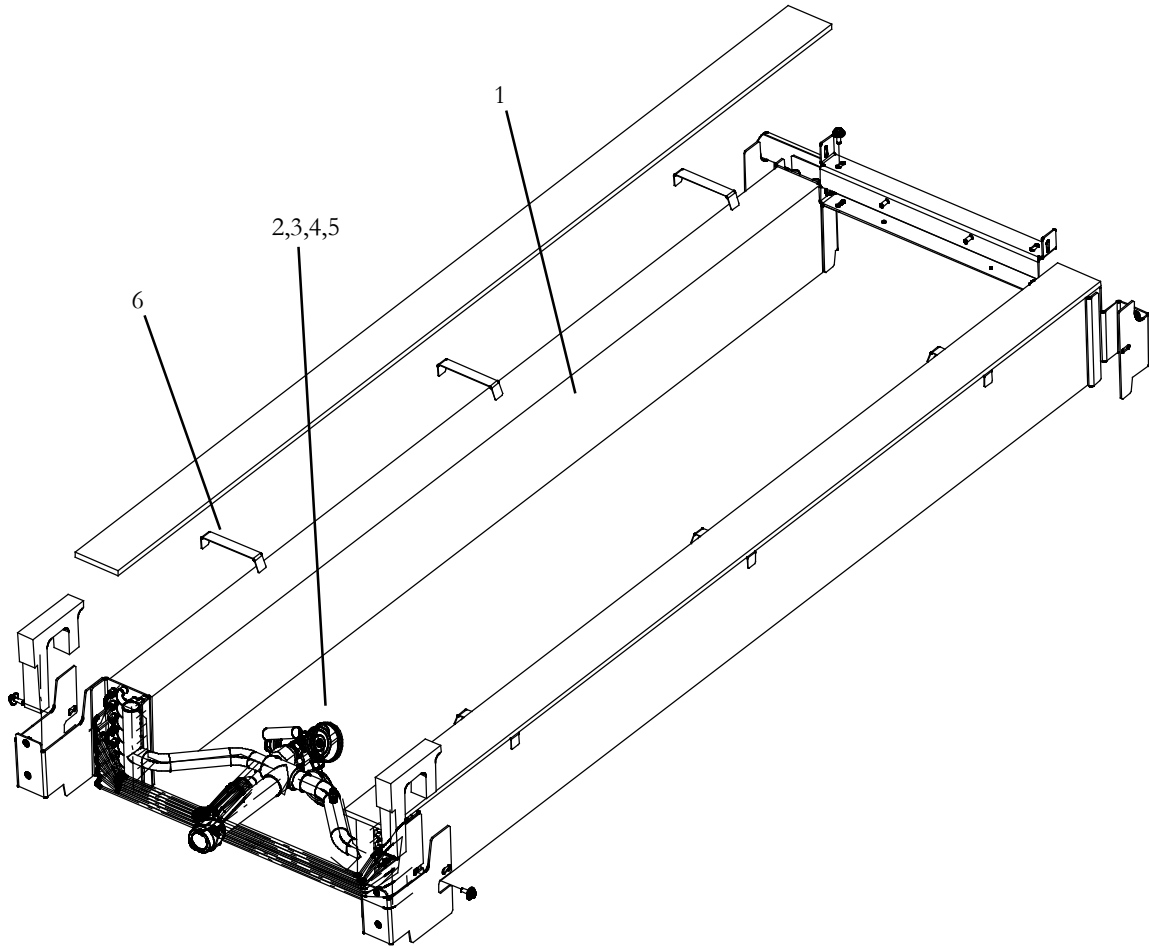


Kit 77-62256-00

Item	Part Number	Description	Qty
1	79-62139-00	Blower/Motor Assembly, Brushless With Plate, 24VDC - Includes:	8
2	54-00627-02	Blower Assembly, 24VDC 3830 RPM	1
3	42-62161-00	Gasket, Blower/Motor Assembly, Adhesive Backed	8
4	67-67013-00	Support Assembly, Blower, 2.5mm Thick, Aluminum.	16
5	68-62967-00	Bracket, Blower Motor	16



4 EVAPORATOR COIL KIT - 4 ROW: Option 1 and Option 2

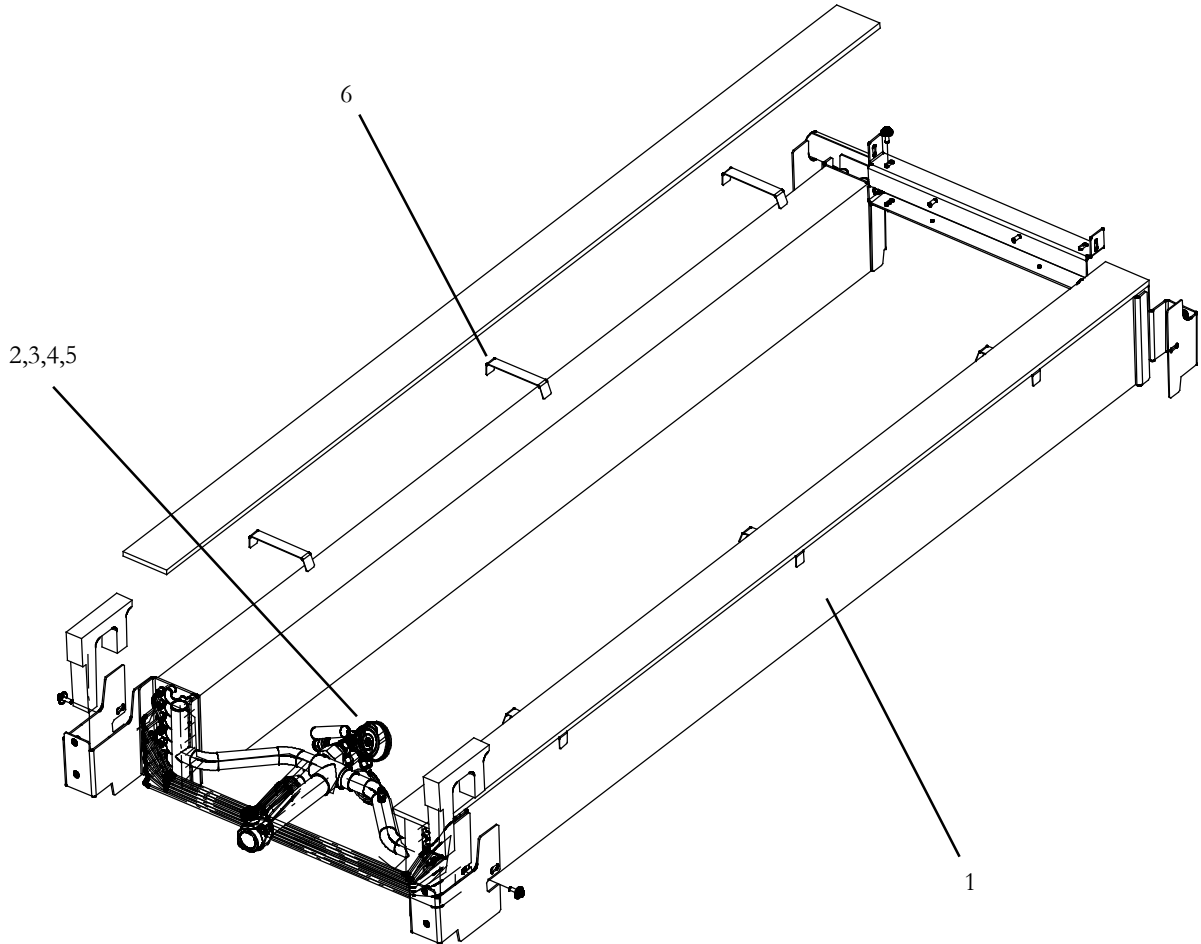


REF: 77-00324-00 & -07

Item	Part Number	Description	Qty
1	08-67022-00	Coil Assembly, 4 Rows (w/Common Header) Option 1	1
	Y21-00008-02	Coil Assembly, 4 Rows w/Hydrophilic, (w/Common Header) Option 2	1
2	Y26-00033-03	Valve Assembly, TXV (TGEN 12)	1
3	42-00032-00	Insulation, Prestite (Reference Only)	1
4	42-00243-03	O-Ring, .614" (15.6) ID x 0.07" (1.78) THK, Neoprene	1
5	42-00243-11	O-Ring, .739" (18.77) I.D. X .07" (1.78) THK	1
6	68-67260-01	Bracket, Filter	6



4.1 EVAPORATOR COIL KIT - 5 ROW: Option 3



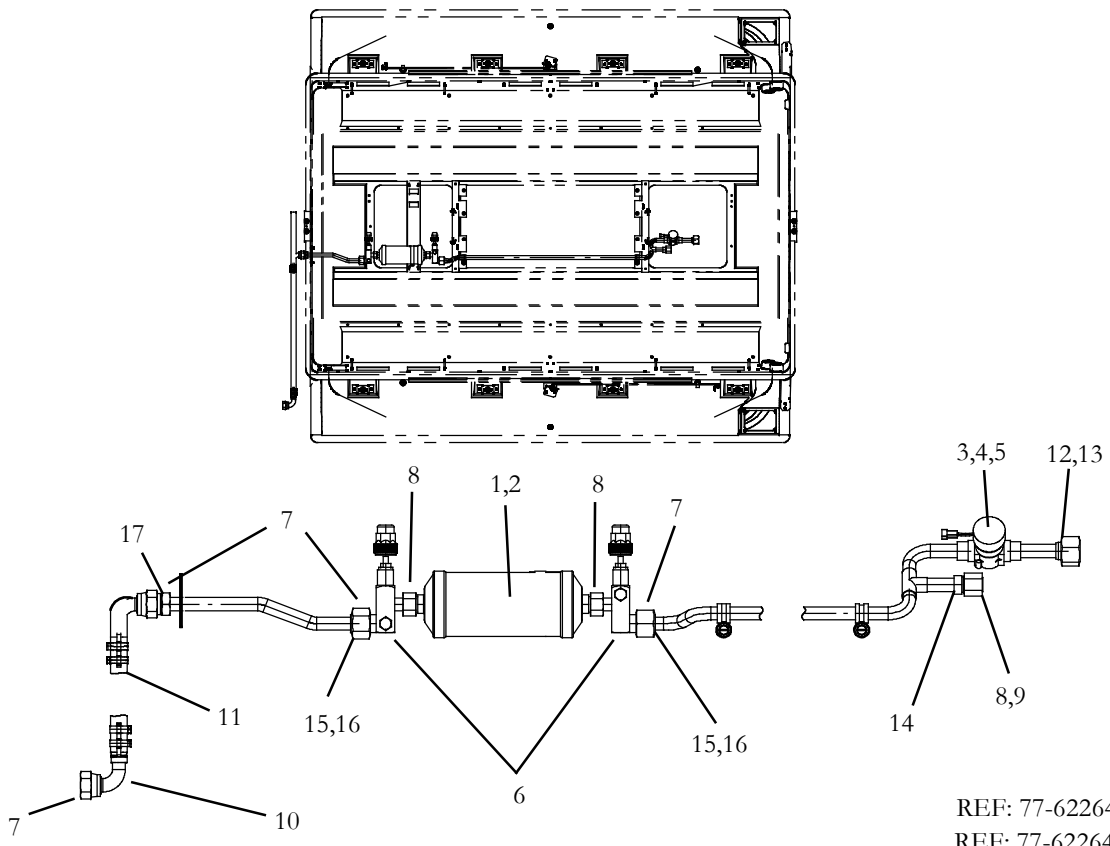
REF: 77-00324-01

Item	Part Number	Description	Qty
1	Y21-00008-03	Coil Assembly, 5 Rows (Both Coils w/Common Header)	1
2	Y26-00033-03	Valve Assembly, TXV (TGEN 12)	1
3	42-00032-00	Insulation, Prestite (Reference Only)	1
4	42-00243-03	O-Ring, .614" (15.6) ID x 0.07" (1.78) THK, Neoprene	1
5	42-00243-11	O-Ring, .739" (18.77) I.D. X .07" (1.78) THK	1
6	68-67260-00	Bracket, Filter	6



5 EVAPORATOR INTERNAL CONNECTION KITS

5.1 Evaporator Internal Connection Kit (Long Liquid Line w/Rear Solenoid Valve and In-dash) : Option 1

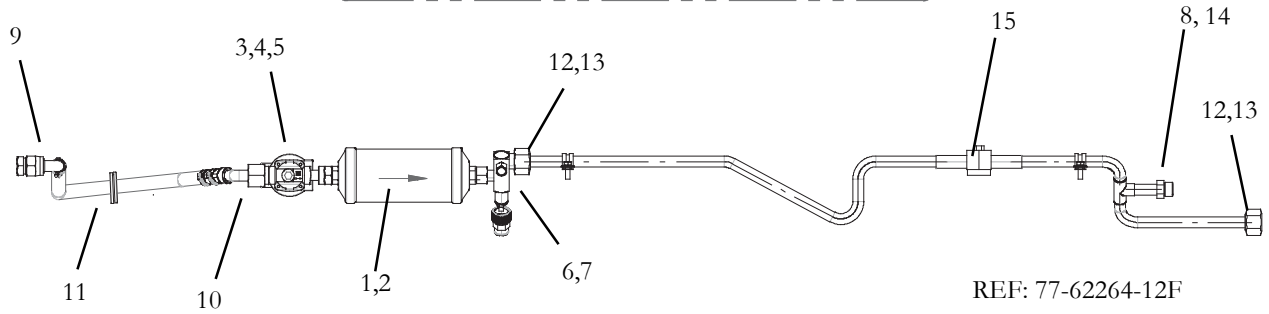
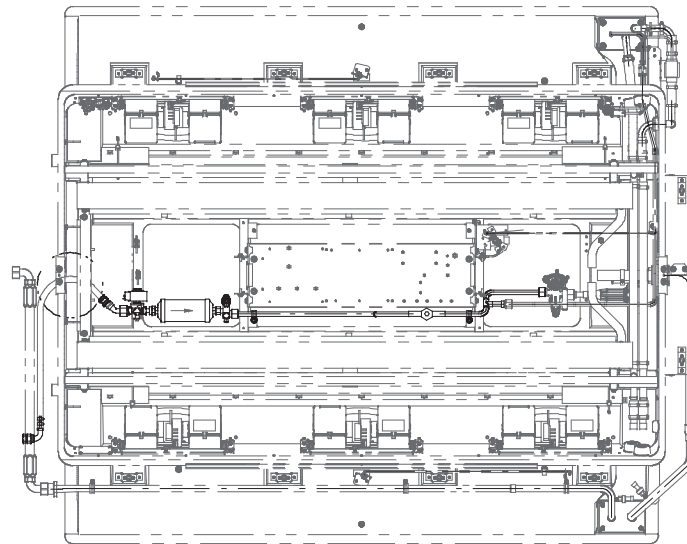


REF: 77-62264-09F
REF: 77-62264-15L

Item	Part Number	Description	Qty
1	14-00326-05	Drier, Filter, 1/2 ORS - Includes:	1
2	42-00243-04	O-Ring, 0.489" (12.4) ID x 0.070" (1.78) Thick, Neoprene	2
3	14-00236-00	Valve, Solenoid, 1/2 ORFS Outlet x 5/8 ORFS Inlet, Brass - Includes:	1
4	14-00236-51	Repair Kit, Valve	1
5	14-00236-50	Coil, Solenoid, 24VDC	1
6	14-00343-01	Valve, Service, 1/2 ORSF Inlet x 5/8 ORSF Outlet	2
7	42-00243-03	O-Ring, .614" (15.6) ID x 0.07" (1.78) THK, Neoprene	4
8	42-00243-04	O-Ring, 0.489" (12.4) ID x 0.07" (1.78) Thick, Neoprene	3
9	40-60010-03	ORS Female Plug	1
10	40-64094-50	Fitting Kit, 90° #10 Female ORS x #10 Flexclik Hose	2
11	58-64105-02	#10 Flexclik Hose	A/R
12	40-60008-04	Shoulder, ORS #10 X 5/8" OD Tube	1
13	40-60009-04	Hex Nut, ORS #10 X 5/8" OD Tube	1
14	40-60145-00	Fitting, ORFS Solder X 13/16" - 16	1
15	40-00503-03	Collar, Solder Brass	2
16	40-60009-04	Swivel Nut	2
17	40-00491-09	Fitting, ORS Solder X 1" - 14	1



5.2 Evaporator Internal Connection Kit (Long Liquid Line w/Front Solenoid Valve and In-dash): Option 2

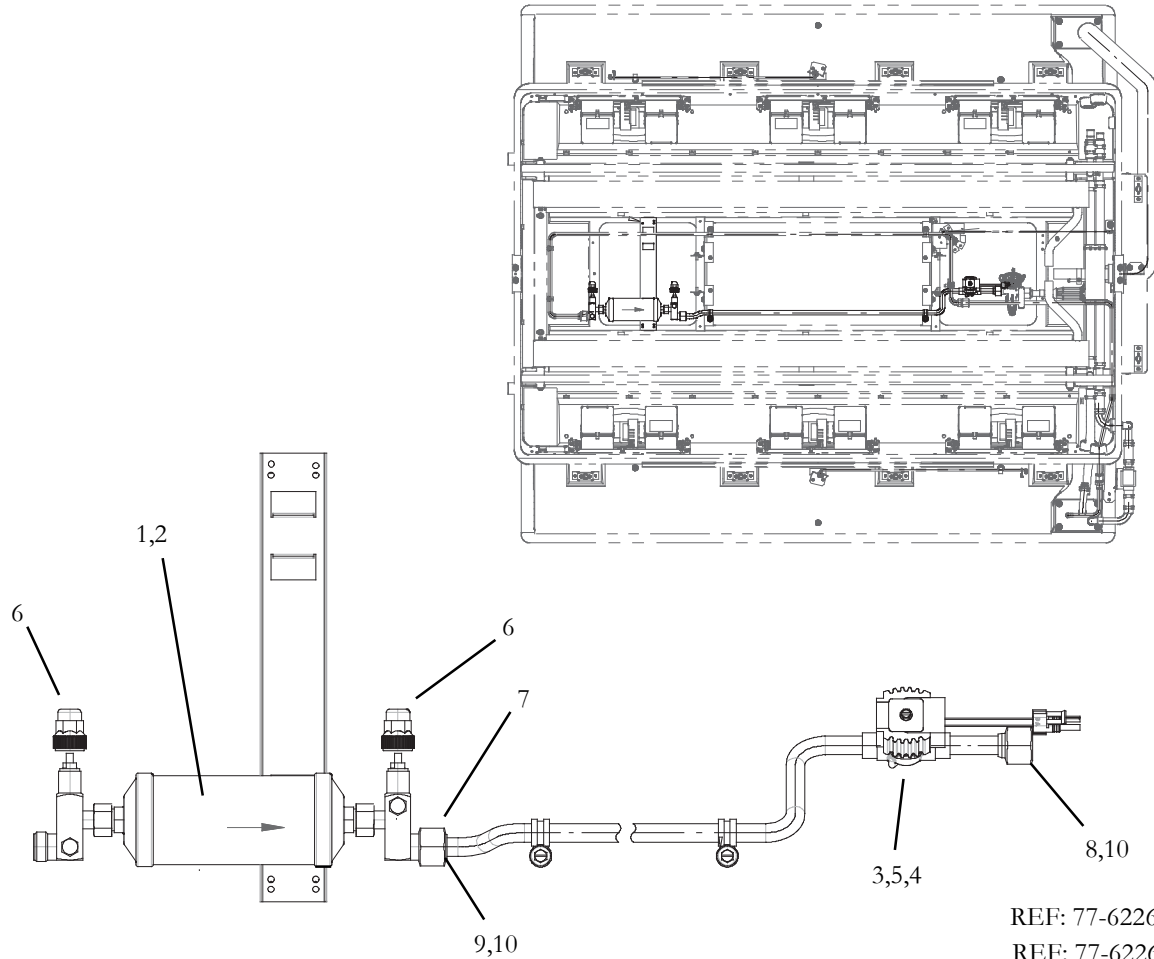


REF: 77-62264-12F
REF: 77-62264-16K

Item	Part Number	Description	Qty
1	14-00326-05	Drier, Filter, 1/2 ORS - Includes:	1
2	42-00243-04	O-Ring, 0.489" (12.4) ID x 0.070" (1.78) Thick, Neoprene	3
3	14-00246-01	Valve, Solenoid, 1/2 ORFS Outlet x 5/8 ORFS Inlet, Brass - Includes:	1
4	14-00246-10	Repair Kit, Valve	1
5	22-60268-02	Coil, Solenoid, 24VDC	1
6	14-00343-01	Valve, Service, 1/2 ORSF Inlet x 5/8 ORSF Outlet	2
7	42-00243-03	O-Ring, 0.614 ID x 0.07" THK	1
8	40-60019-04	ORS Plug, 13/16" - 16	1
9	40-64094-50	Fitting Kit, 90° #10 Female ORS x #10 Flexclik Hose	1
10	40-62151-52	Fitting Kit, 45° #10 Female ORS x #10 Flexclik Hose	1
11	58-64105-02	#10 Flexclik Hose	A/R
12	40-00503-03	Collar, Solder Brass	2
13	40-60009-04	Swivel Nut	2
14	40-60145-00	Fitting, ORFS Solder X 13/16" - 16	1
15	14-00026-04	Sight glass, Moisture Indicator	1



5.3 Evaporator Internal Connection Kit (Long Liquid Line w/Rear Solenoid Valve and W/O In-dash): Option 3



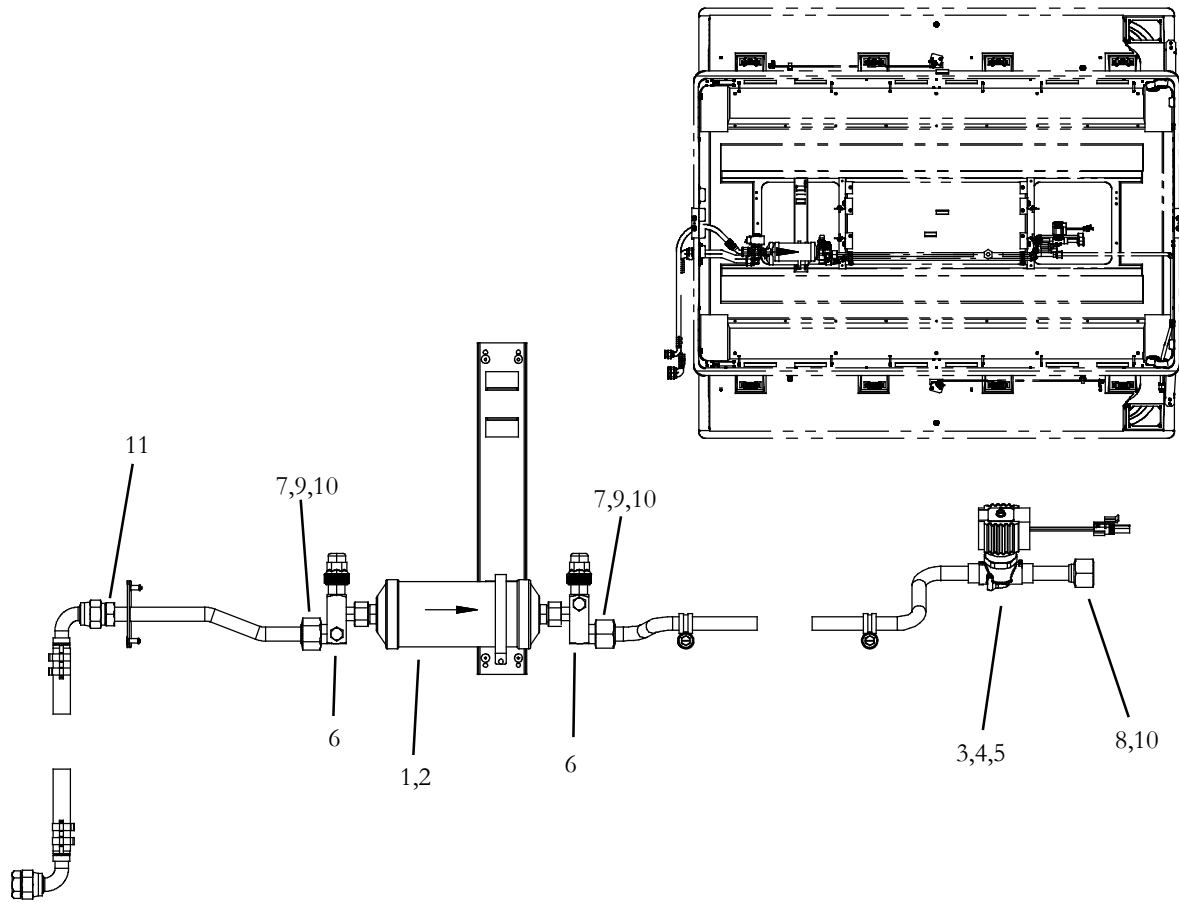
REF: 77-62264-13F

REF: 77-62264-17M

Item	Part Number	Description	Qty
1	14-00326-05	Drier, Filter, 1/2 ORS - Includes:	1
2	42-00243-04	O-Ring, 0.489" (12.4) ID x 0.070" (1.78) Thick, Neoprene	2
3	14-00236-00	Valve, Solenoid, 1/2 ORFS Outlet x 5/8 ORFS Inlet, Brass	1
4	14-00236-50	Coil, Solenoid, 24VDC	1
5	14-00236-51	Repair Kit, Valve	1
6	14-00343-01	Valve, Service, 1/2 ORSF Inlet x 5/8 ORSF Outlet	2
7	42-00243-03	O-Ring, .614" (15.6) ID x 0.07" (1.78) THK, Neoprene	1
8	40-60008-04	Shoulder, ORS #10 X 5/8" OD Tube	1
9	40-00503-03	Collar, Brass	1
10	40-60009-04	Hex Nut, ORS #10 X 5/8" OD Tube	2



5.4 Evaporator Internal Connection Kit (Long Liquid Line w/Rear Solenoid Valve and W/O In-dash): Option 4



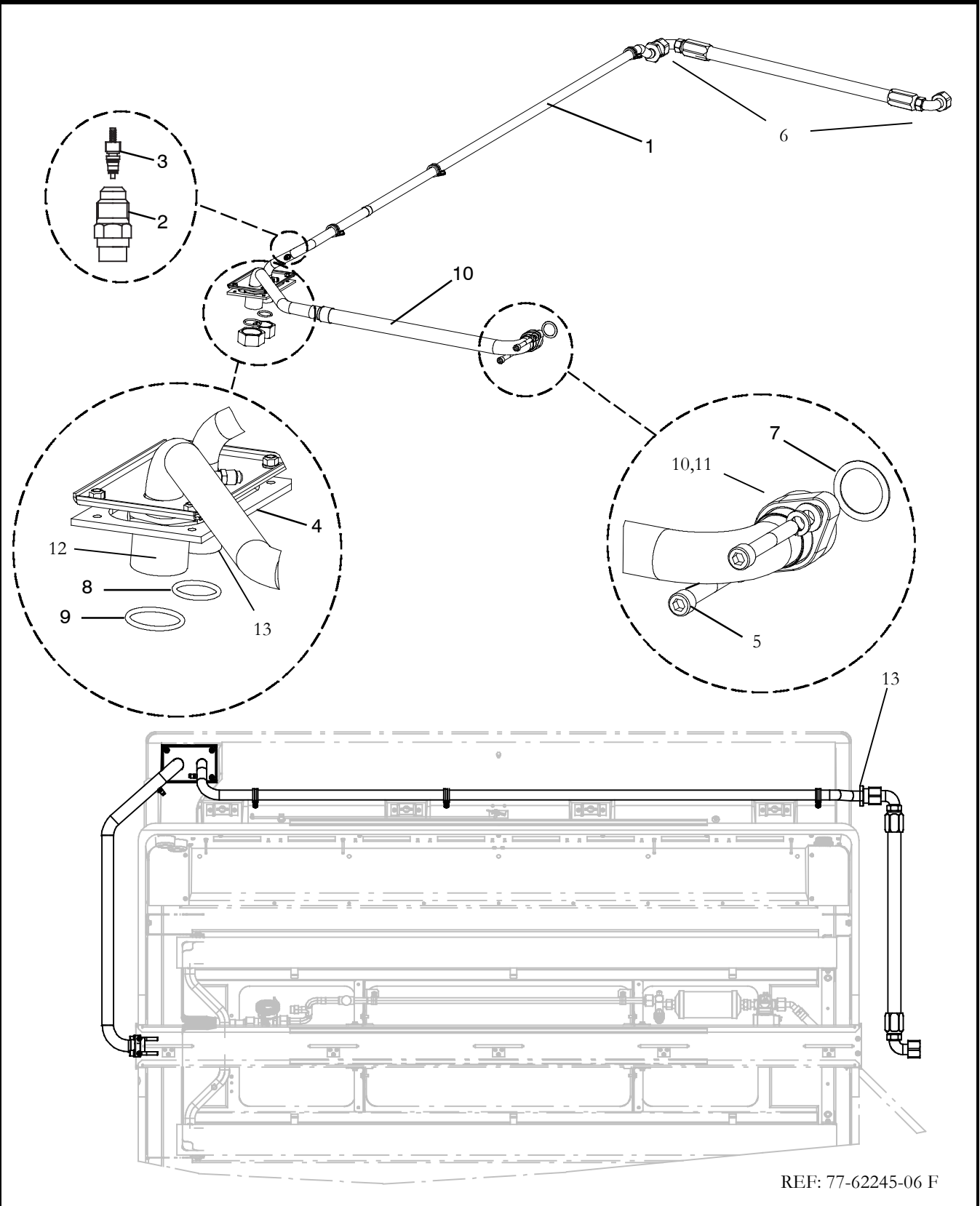
REF: 77-62264-18N

Item	Part Number	Description	Qty
1	14-00326-05	Drier, Filter, 1/2 ORS - Includes:	1
2	42-00243-04	O-Ring, 0.489" (12.4) ID x 0.070" (1.78) Thick, Neoprene	2
3	14-00236-00	Valve, Solenoid, 1/2 ORFS Outlet x 5/8 ORFS Inlet, Brass	1
4	14-00236-50	Coil, Solenoid, 24VDC	1
5	14-00236-51	Repair Kit, Valve	1
6	14-00343-01	Valve, Service, 1/2 ORSF Inlet x 5/8 ORSF Outlet	2
7	42-00243-03	O-Ring, .614" (15.6) ID x 0.07" (1.78) THK, Neoprene	1
8	40-60008-04	Shoulder, ORS #10 X 5/8" OD Tube 7,9,10	1
9	40-00503-03	Collar, Brass	2
10	40-60009-04	Hex Nut, ORS #10 X 5/8" OD Tube	3
11	40-00491-09	Fitting, ORS Refrig. Conn. - 1-14	1



6 EVAPORATOR CONNECTION KIT SUCTION/DISCHARGE

6.1 Evaporator Connection Kit S/D (Left ORS Standard Housing): Option 1

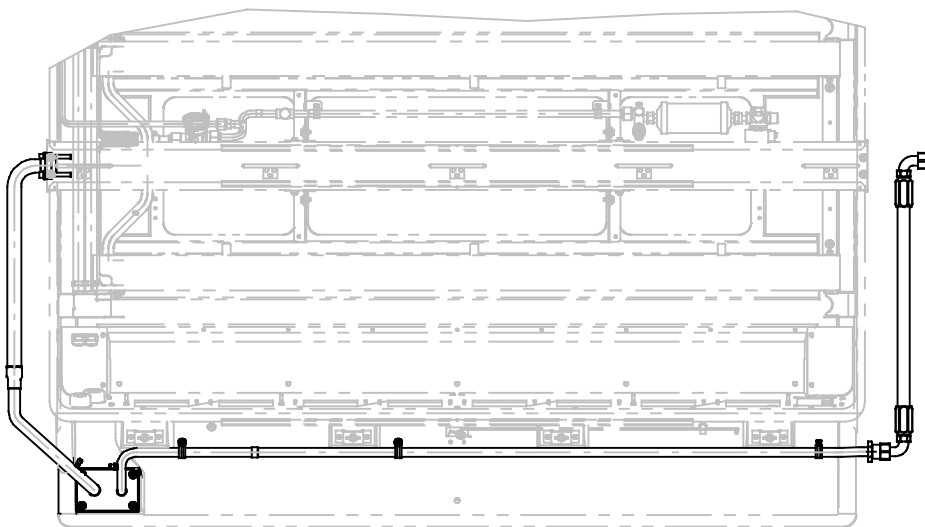
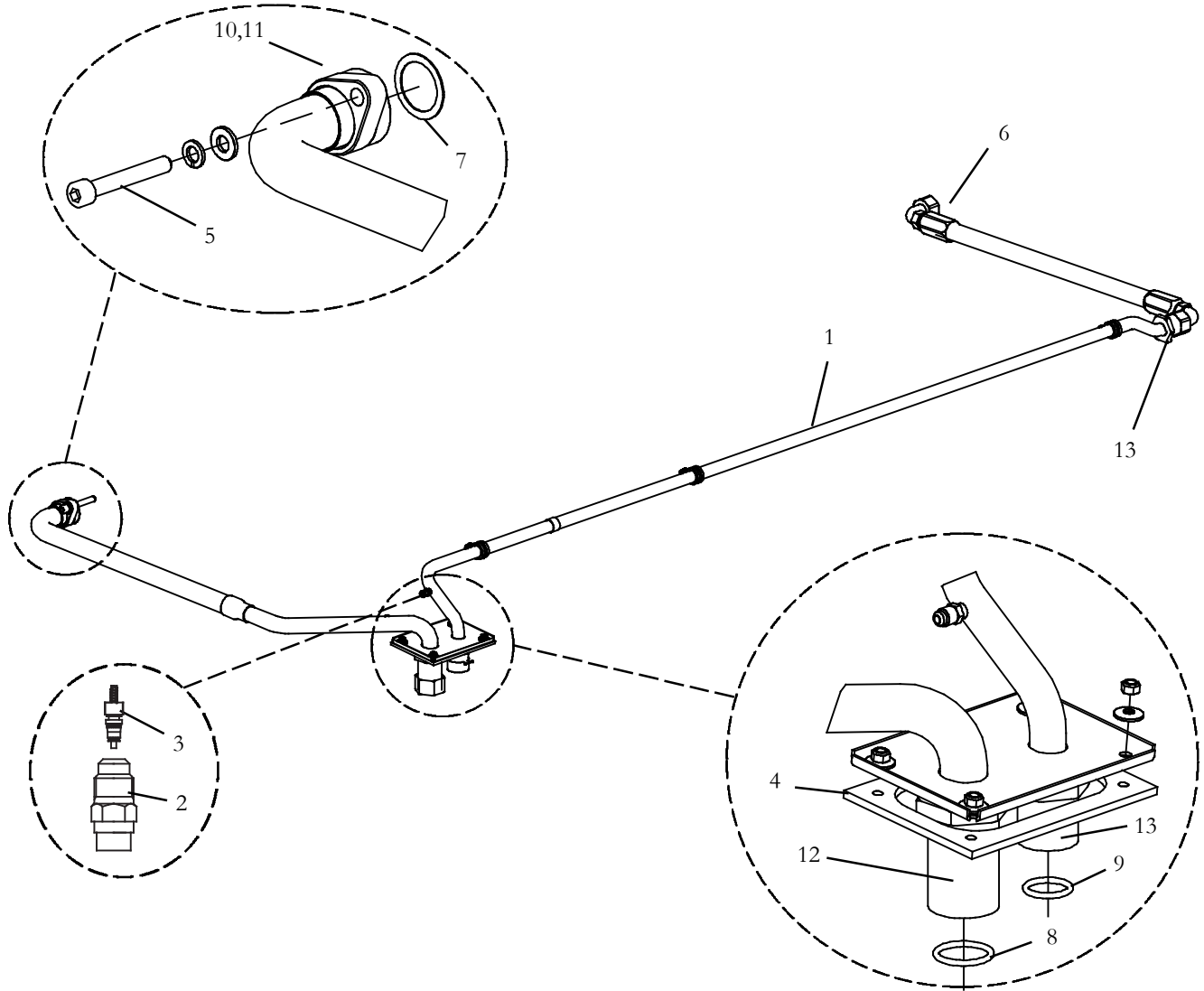




6.1 Evaporator Connection Kit S/D (Left ORS Standard Housing) (Continued): Option 1			
Item	Part Number	Description	Qty
1	NSI	Tube Assembly, Left ORSF - Includes:	1
2	40-60159-01	Fitting Assembly, Valve, Schrader, 1/4 Flare, Brass - Includes:	2
3	14-00351-00	Core, Valve, Access	1
4	NSI	Sealant, Sikaflex 252	1
5	34-06062-70	Screw, Cap, Socket Head, M10 x 70mm Long, SST	2
6	40-64094-59	Fitting Kit, Hose, 90° ORS - #16 Hose	2
7	42-62164-00	Gasket	1
8	42-00243-01	O-Ring, 1.171 ID x 0.139 THK	1
9	42-00243-00	O-Ring, 0.921 ID x 0.139 THK	2
10	40-67004-00	Fitting, Solder 1 3/8" x ORS	1
11	40-00590-03	Flange, w/11 MM DIA Holes	1
12	40-00491-03	Fitting, ORS, Solder x 1 11/16" - 12	1
13	40-00491-00	Fitting, ORS, Solder x 1 7/16" - 12	2



6.2 Evaporator Connection Kit S/D (Right ORS): Option 2



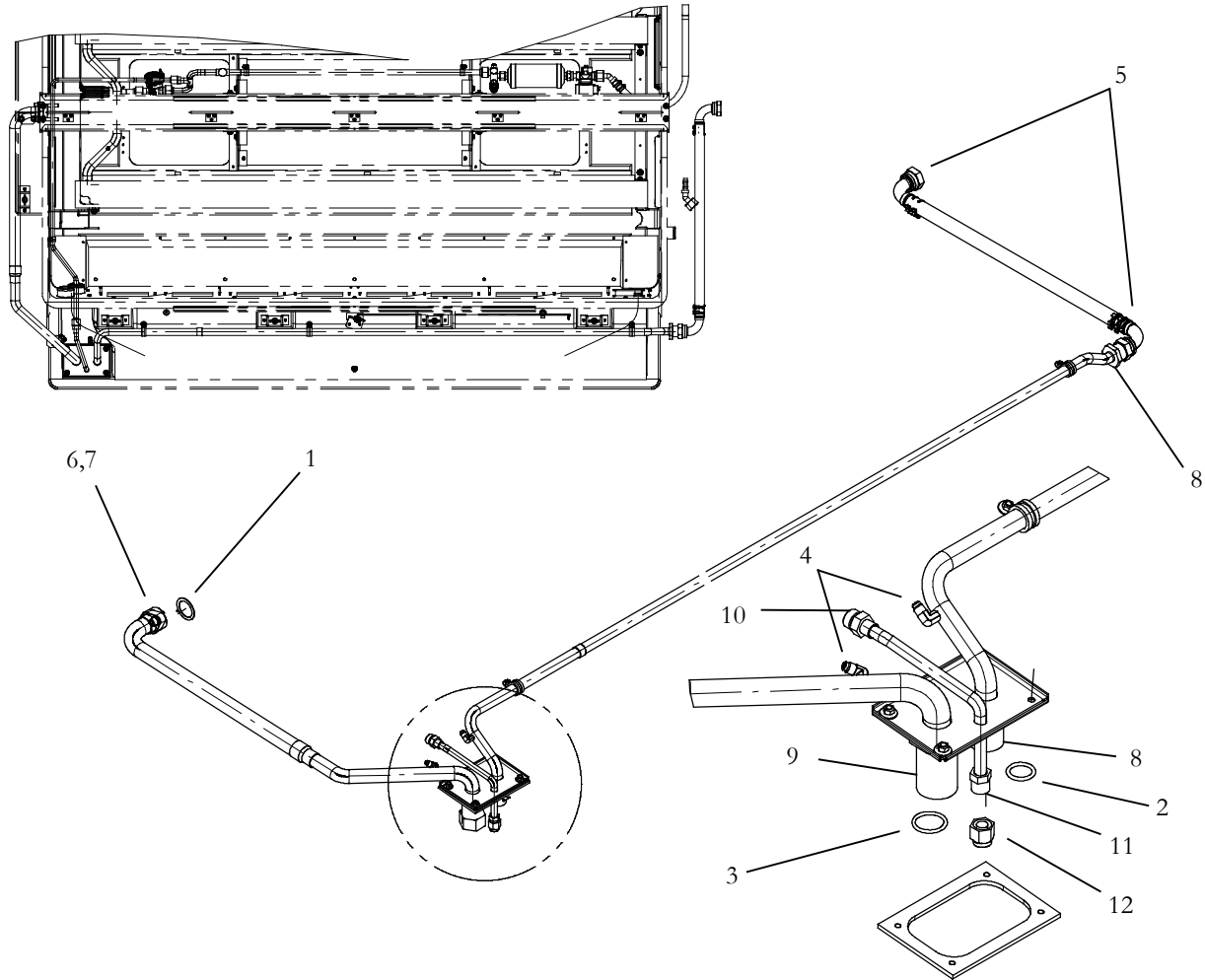
REF: 77-62245-00 F



6.2 Evaporator Connection Kit S/D (Right ORS) (Continued): Option 2			
Item	Part Number	Description	Qty
1	NSI	Tube Assembly, Right ORSF - Includes:	1
2	40-60159-01	Fitting Assembly, Valve, Schrader, 1/4 Flare, Brass - Includes:	2
3	14-00351-00	Core, Valve, Access (Nickel Plated)	1
4	NSI	Sealant, Sikaflex 252	1
5	34-06062-70	Screw, Cap, Socket Head, M10 x 70mm Long, SST	2
6	40-64094-59	Fitting Kit, #16 FORS x #16 Hose FLX	2
7	42-62164-00	Gasket	1
8	42-00243-01	O-Ring, 1.171 ID x 0.139 THK	1
9	42-00243-00	O-Ring, 0.921 ID x 0.139 THK	2
10	40-67004-00	Fitting, Solder 1 3/8" x ORS	1
11	40-00590-03	Flange, w/11 MM DIA Holes	1
12	40-00491-03	Fitting, ORS, Solder x 1 11/16" - 12	1
13	40-00491-00	Fitting, ORS, Solder x 1 7/16" - 12	2



6.3 Evaporator Connection Kit S/D (Right ORS w/Front Box Connection): Option 3

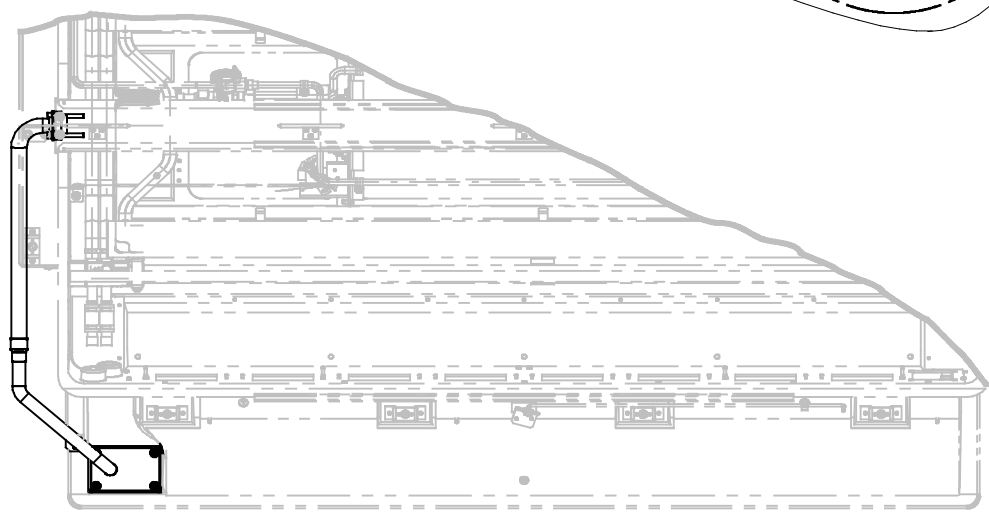
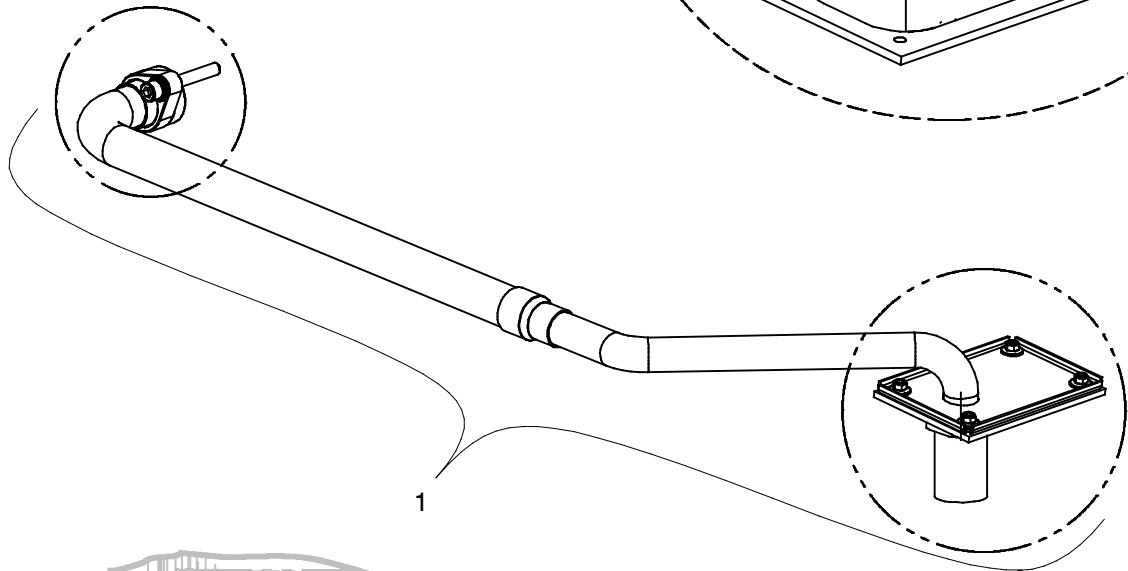
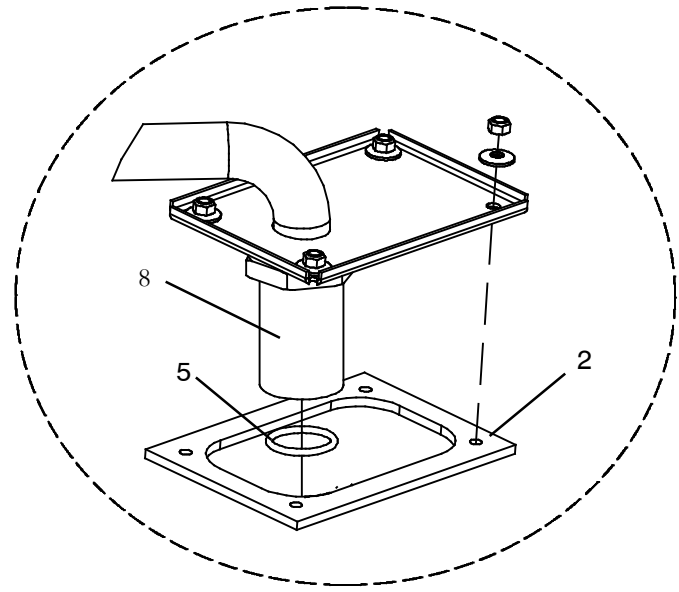
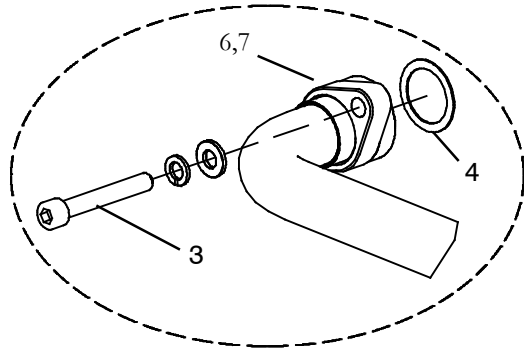


REF: 77-62245-02 E

Item	Part Number	Description	Qty
1	42-62164-00	Gasket	1
2	42-00243-01	O-Ring, 1.171" ID x 0.139 THK	1
3	42-00243-00	O-Ring, 0.921" ID x 0.139 THK	1
4	14-00351-00	Core, Valve, Access	2
5	40-64094-59	Fitting Kit, 90° Female #16ORS x #16 Flexklik Hose	2
6	40-67004-00	Fitting, Solder 1 3/8" x ORS	1
7	40-00590-03	Flange, w/11 MM DIA Holes	1
8	40-00491-00	Fitting, Solder 1 7/16" -12	2
9	40-00491-03	Fitting, Solder 1 11/16" -12	1
10	40-60007-03	Fitting, Solder ORFS	1
11	40-62032-02	Nut, Swivel Fitting, Male Insert O-Ring	1
12	40-62129-00	Fitting Plug, Female #8 Block-off	1



6.4 Evaporator Connection Kit S/D, (Right ORS Suction Only), Option 4



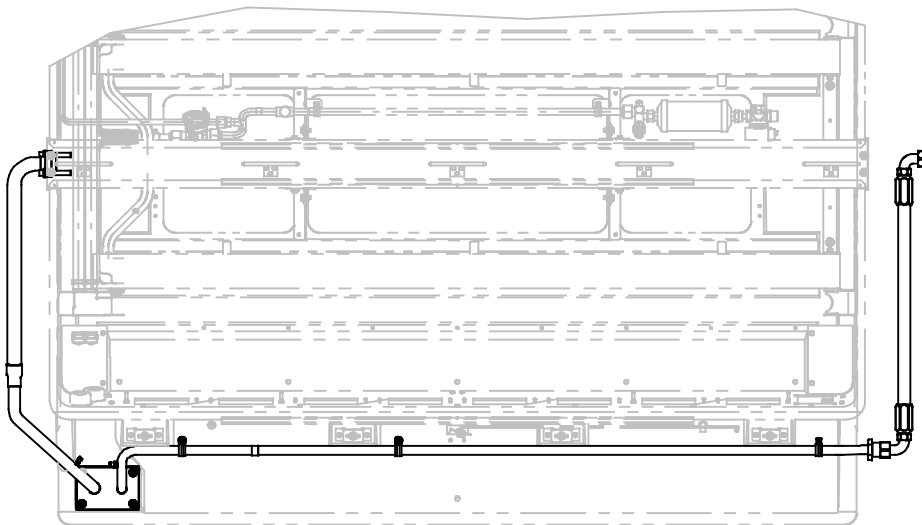
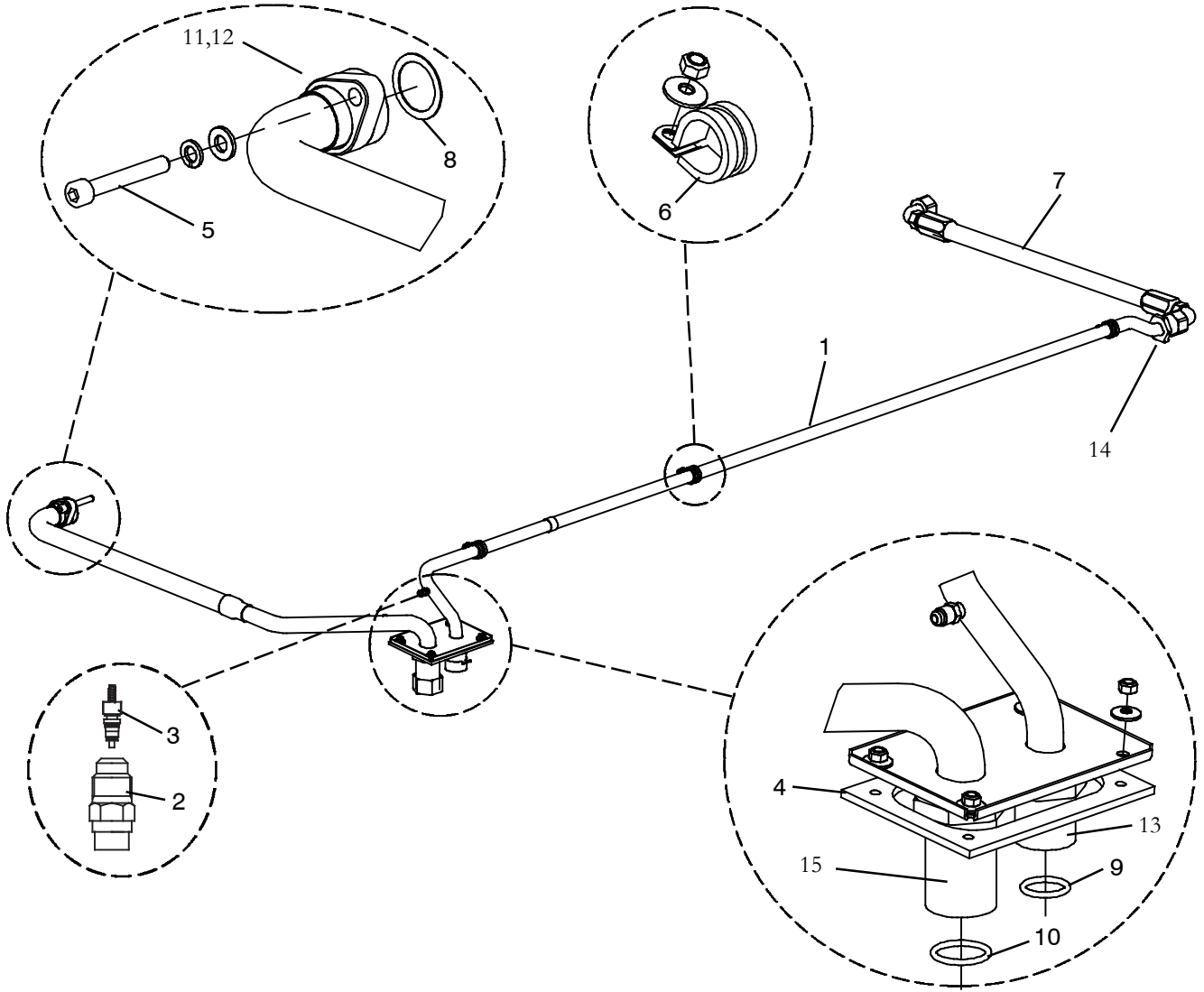
REF: 77-62245-04 E



6.4 Evaporator Connection Kit S/D, (Right ORS Suction Only)(Continued): Option 4			
Item	Part Number	Description	Qty
1	NSI	Tube Assembly, Suction	1
2	02-62004-00	Sealant, Sikaflex 252	A/R
3	34-06062-70	Screw, Cap Socket Head M10 x 70 (2.756)	2
4	42-62164-00	Gasket	1
5	42-00243-01	O-Ring, 1.171 ID x 0.139 Thick	1
6	40-67004-00	Fitting, Solder 1 3/8" x ORS	1
7	40-00590-03	Flange, w/11 MM DIA Holes	1
8	40-00491-03	Fitting, Solder 1 11/16" - 12	1



6.5 Evaporator Connection Kit S/D (Right ORS Liquid and Suction Artic): Option 5



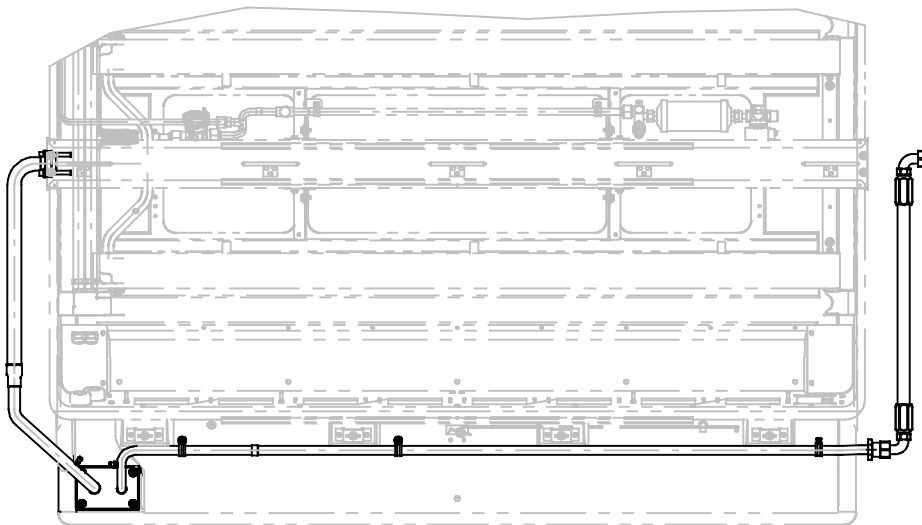
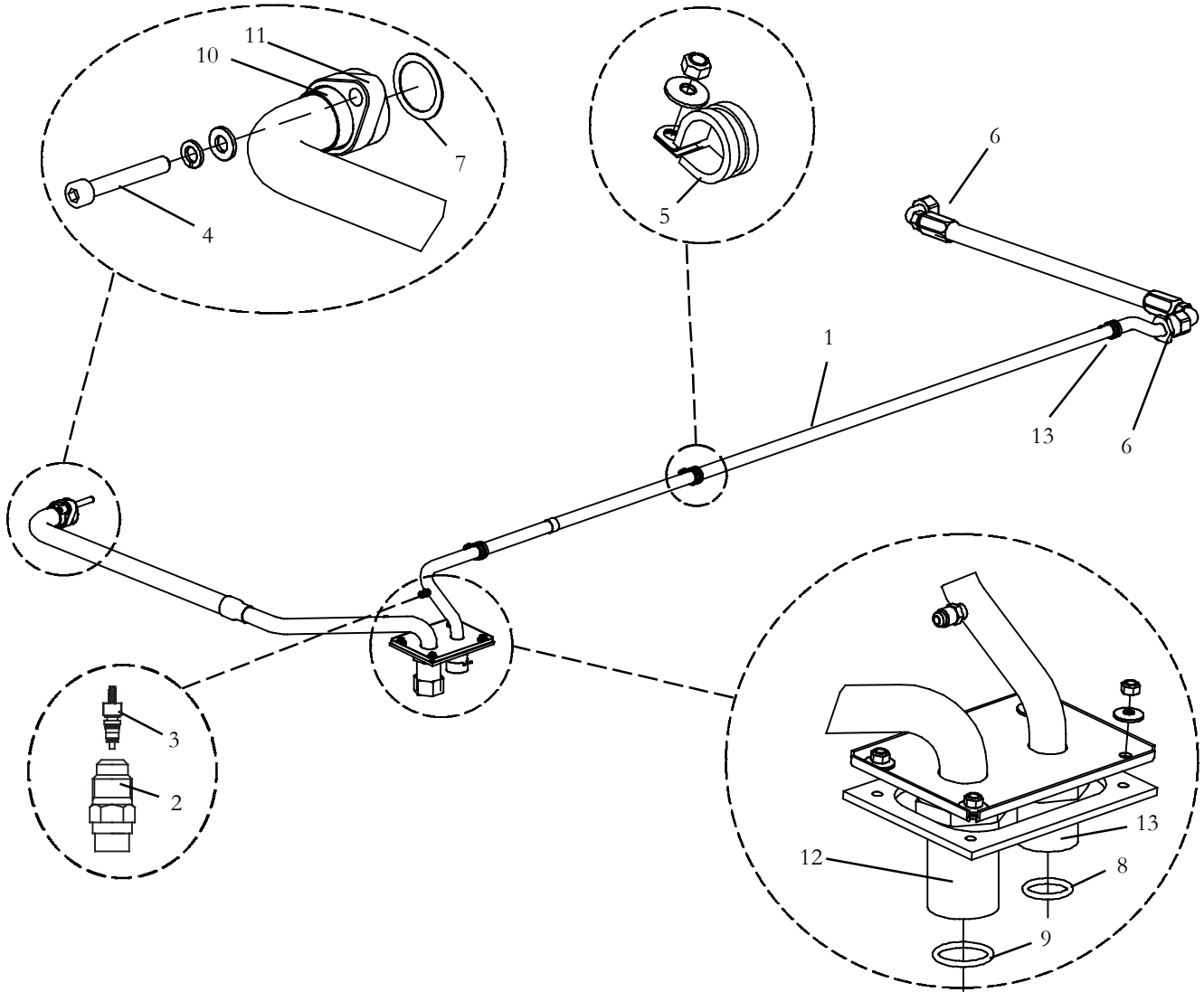
REF: 77-62245-05 E



6.5 Evaporator Connection Kit S/D(Right ORS Liquid and Suction, Artic)(Continued): Option 5			
Item	Part Number	Description	Qty
1	NSI	Tube Assembly, Suction and Discharge, Artic - Includes:	1
2	40-01124-00	Body, Valve, Schrader, 1/4 SAE Flare	2
3	14-00351-00	Core, Valve, Access	1
4	02-62004-00	Sealant, Sikaflex 252	A/R
5	34-06062-70	Screw, Cap, Socket Head, M10 x 70mm Long, SST	2
6	34-00373-15	Clamp, Tube, 1.12 Diameter, Cushion, SST	3
7	40-64094-59	Fitting Kit, #16 FORS x #16 Hose FLX	1
8	42-62164-00	Gasket	1
9	42-00243-02	O-Ring, 1.484 ID x 0.139 Thick	1
10	42-00243-01	O-Ring, 1.171 ID x 0.139 Thick	1
11	40-67004-00	Fitting, Solder 1 3/8" x ORS	1
12	40-00590-03	Flange, w/11 MM DIA Holes	1
13	40-00491-05	Fitting, ORS, 1 7/16" - 12	1
14	40-00491-01	Fitting, ORS, 1 11/16" - 12	1
15	40-00491-02	Fitting, ORS, 2" - 12	1



6.6 Evaporator Connection Kit S/D (Right ORS) w/o Front Box, #24 Suction & #16 Discharge: Option 6



REF: 77-62245-07 F

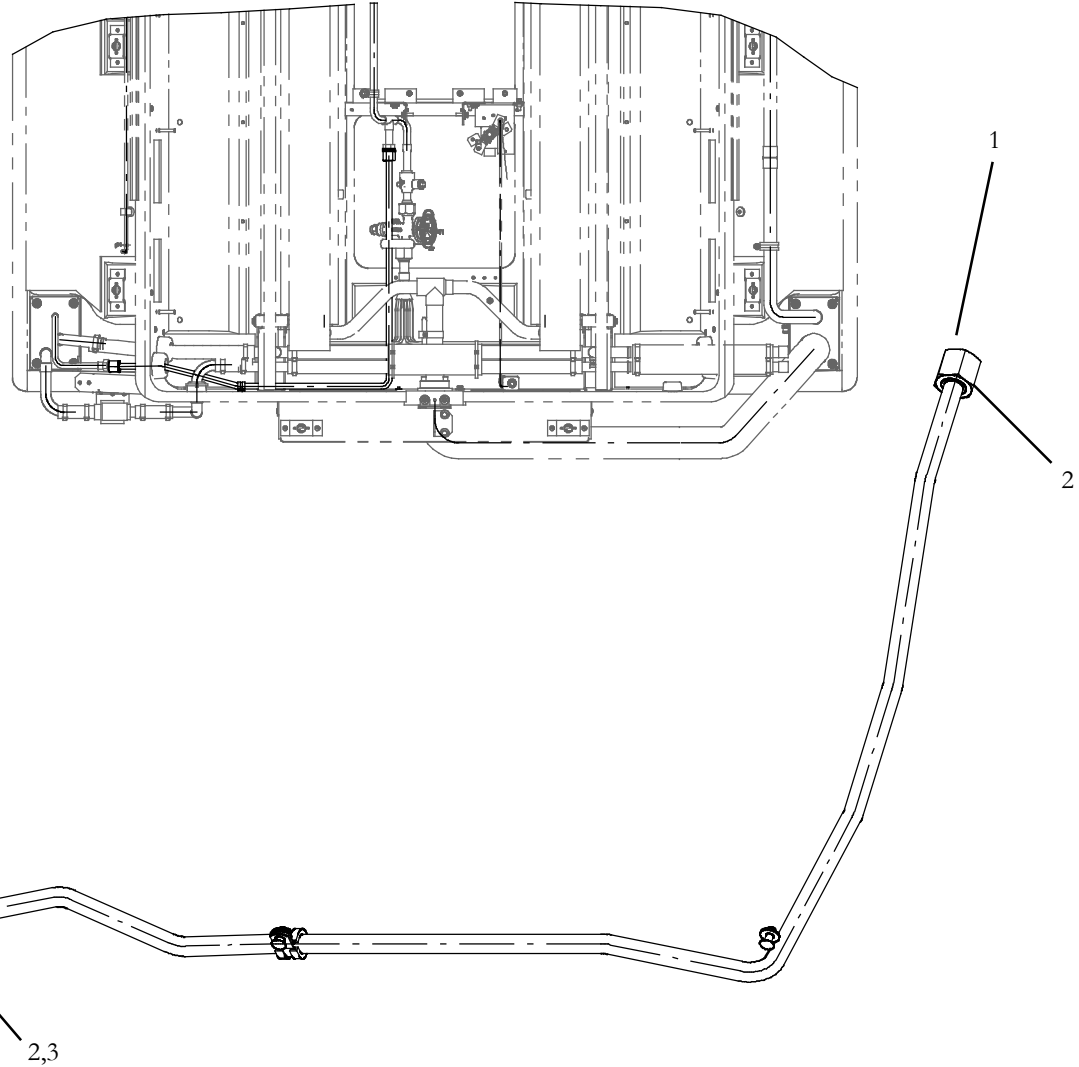


6.6 Evaporator Connection Kit S/D (Right ORS) w/o Front Box, #24 Suction & #16 Discharge: Option 6 (Con't)			
Item	Part Number	Description	Qty
1	NSI	Tube Assembly, Right ORSF	1
2	40-01124-00	Valve Body, Access	2
3	14-00351-00	Core, Valve, Access	2
N.S.	02-62004-00	Caulk, Sikaflex 252	A/R
4	34-06062-70	Screw, Cap, Socket Head, M10 x 70mm Long, SST	2
5	34-00373-15	Clamp, Tube, 1.125 Diameter	3
6	40-64094-59	Fitting Kit, #16 FORS x #16 Hose FLX	2
7	42-62164-00	Gasket	1
8	42-00243-01	O-Ring, 1.171 ID x .139 THK	1
9	42-00243-02	O-Ring, 1.484 ID x .139 THK	2
10	40-67004-00	Fitting, Solder 1 3/8" x ORS	1
11	40-00590-03	Flange, w/11 MM DIA Holes	1
12	40-00491-02	Fitting, ORS, Solder x 2" - 12	1
13	40-00491-00	Fitting, ORS, Solder x 1 7/16" - 12	2



7 Evaporator Connection Kit - Front Box

7.1 Evaporator Connection Kit - Front Box, Left: Option 1



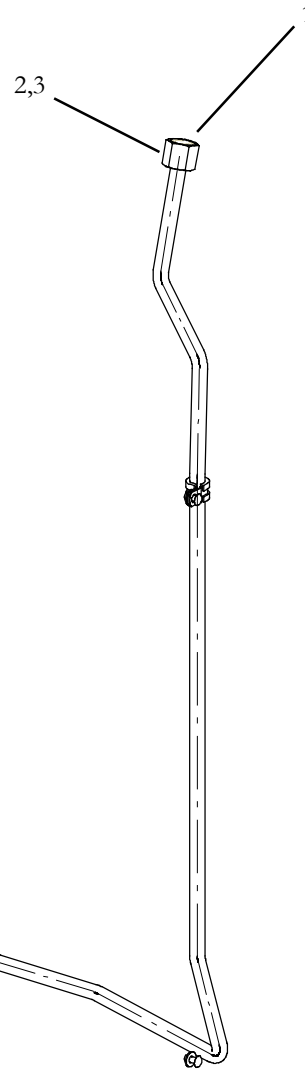
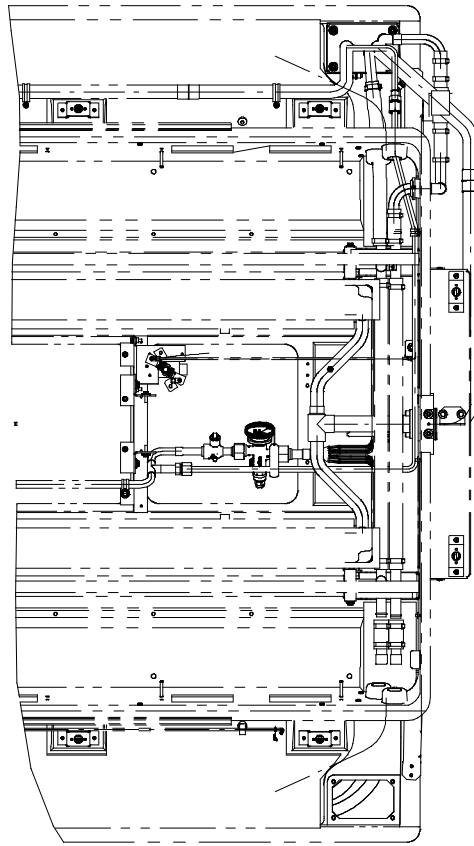
REF: 77-62257-08D

REF: 77-62257-14G

Item	Part Number	Description	Qty
1	42-00243-04	O-Ring, 0.489" (12.42) ID x 0.07" (1.78) THK	2
2	40-00503-05	Swivel Nut	2
3	34-06121-05	ORS Braze Collar	1



7.2 Evaporator Connection Kit - Front Box, Right: Option 2



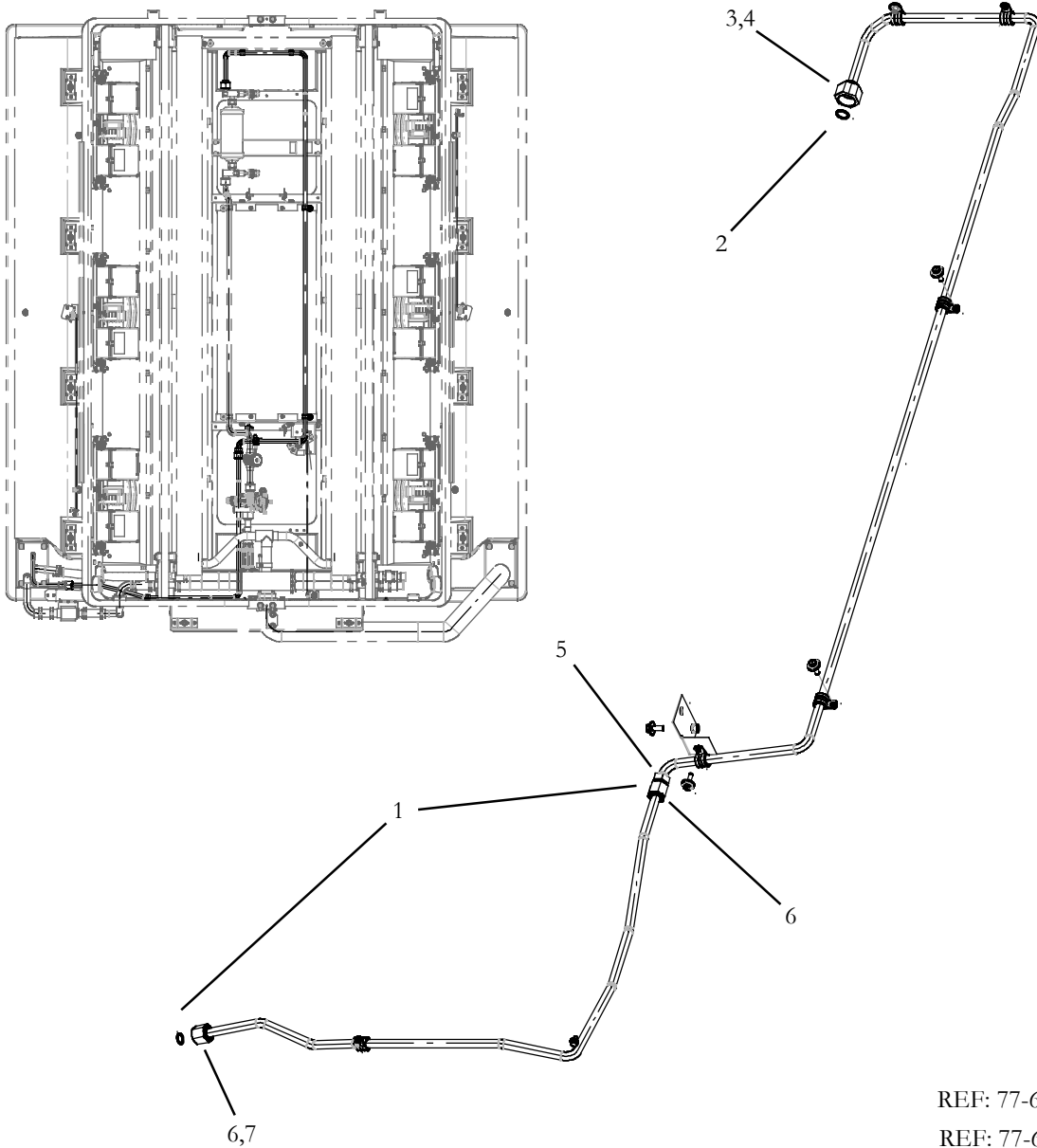
REF: 77-62257-09D

REF: 77-62257-15G

Item	Part Number	Description	Qty
1	42-00243-04	O-Ring, 0.489" (12.42) ID x 0.07" (1.78) THK	1
2	34-06121-05	ORS Braze Collar	2
3	40-00503-05	Swivel Nut	2



7.3 Evaporator Connection Kit - Front Box, Slave: Option 3



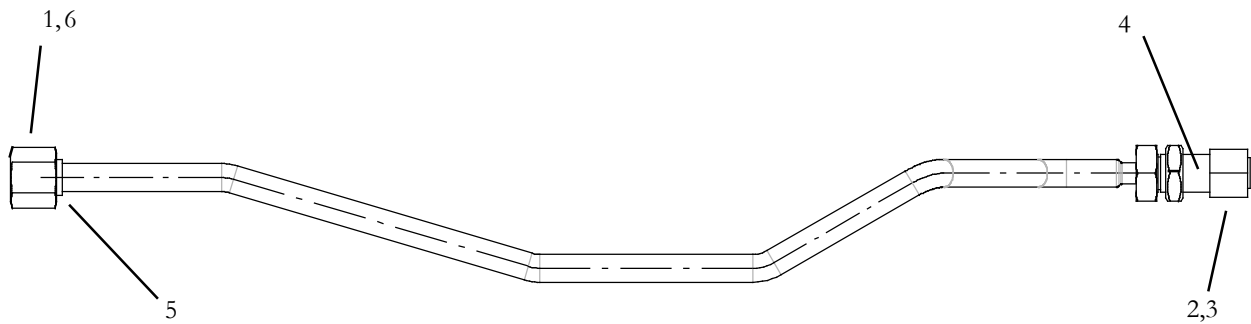
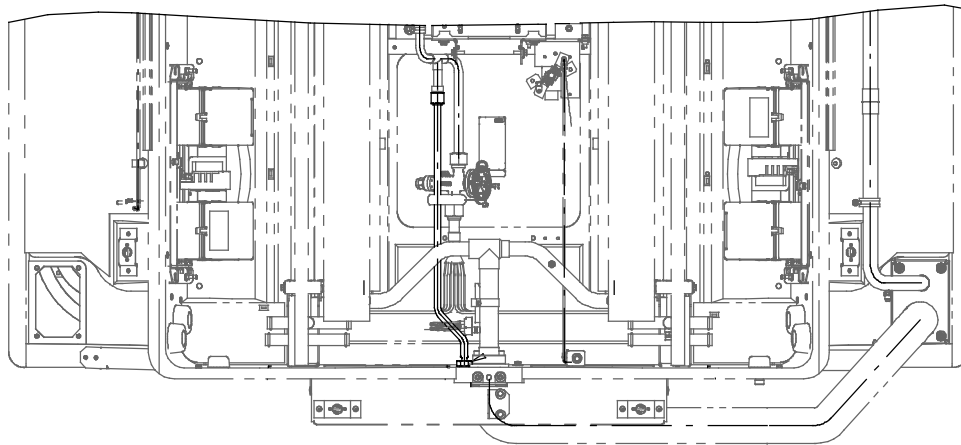
REF: 77-62257-10D

REF: 77-62257-16G

Item	Part Number	Description	Qty
1	42-00243-04	O-Ring, 0.489" (12.42) ID x 0.07" (1.78) THK	2
2	42-00243-03	O-Ring, .614" (15.6) ID x 0.07" (1.78) THK, Neoprene	1
3	40-60008-09	ORS Braze Collar	1
4	40-60009-04	Swivel Nut	1
5	40-60145-00	ORFS Fitting, 13/16" -16	1
6	40-00503-05	Swivel Nut	2
7	34-06121-05	ORS Braze Collar	1



7.4 Evaporator Connection Kit - Front Box, Center: Option 4



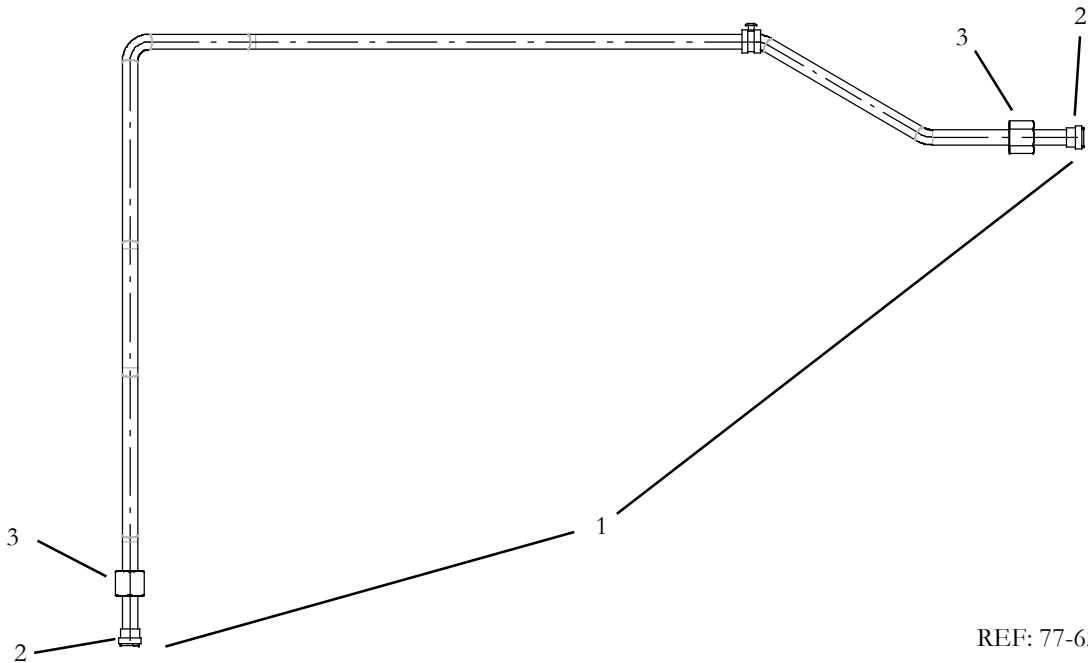
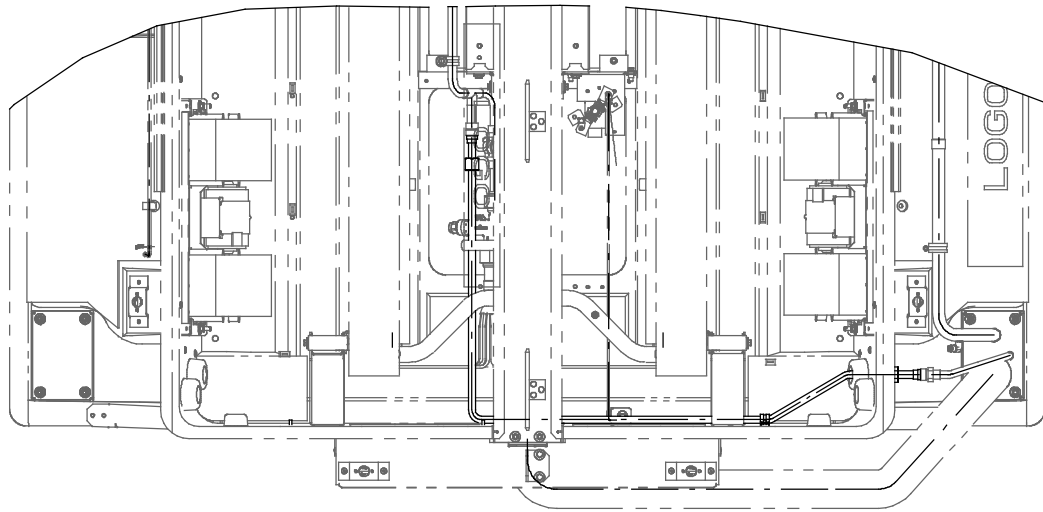
REF: 77-62257-12D

REF: 77-62257-17G

Item	Part Number	Description	Qty
1	42-00243-04	O-Ring, 0.489" (12.42) ID x 0.07" (1.78) THK	1
2	42-00243-09	O-Ring, 0.364" (9.25) ID x 0.07" (1.78) THK, Neoprene	1
3	40-60010-02	ORS Female Plug	1
4	40-00491-12	ORS Fitting, 11/16" - 16	1
5	40-00503-05	Collar, Tube, ORS	1
6	40-60009-03	Swivel Nut	1



7.5 Evaporator Connection Kit - Front Box, Right Lower: Option 5



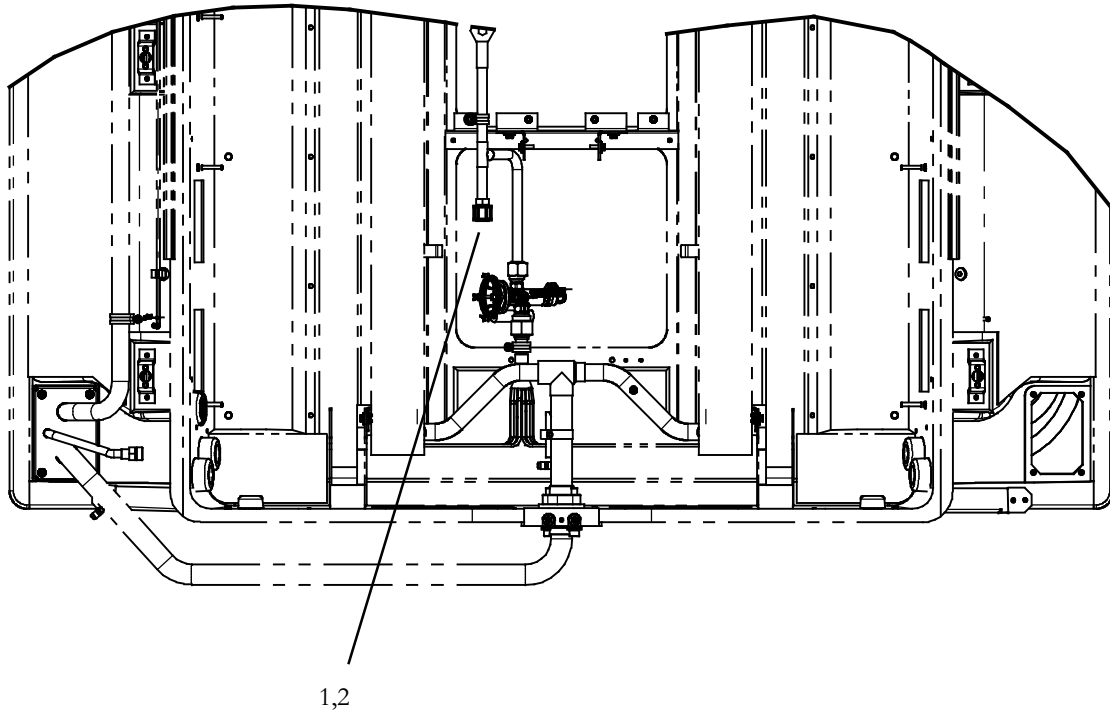
REF: 77-62257-13D

REF: 77-62257-18G

Item	Part Number	Description	Qty
1	42-00243-04	O-Ring, 0.489" (12.42) ID x 0.07" (1.78) THK	2
2	40-00503-05	Collar, Tube, ORS	2
3	40-60009-03	Swivel Nut	2



7.6 Evaporator Connection Kit - Front Box, Without Kit : Option 6

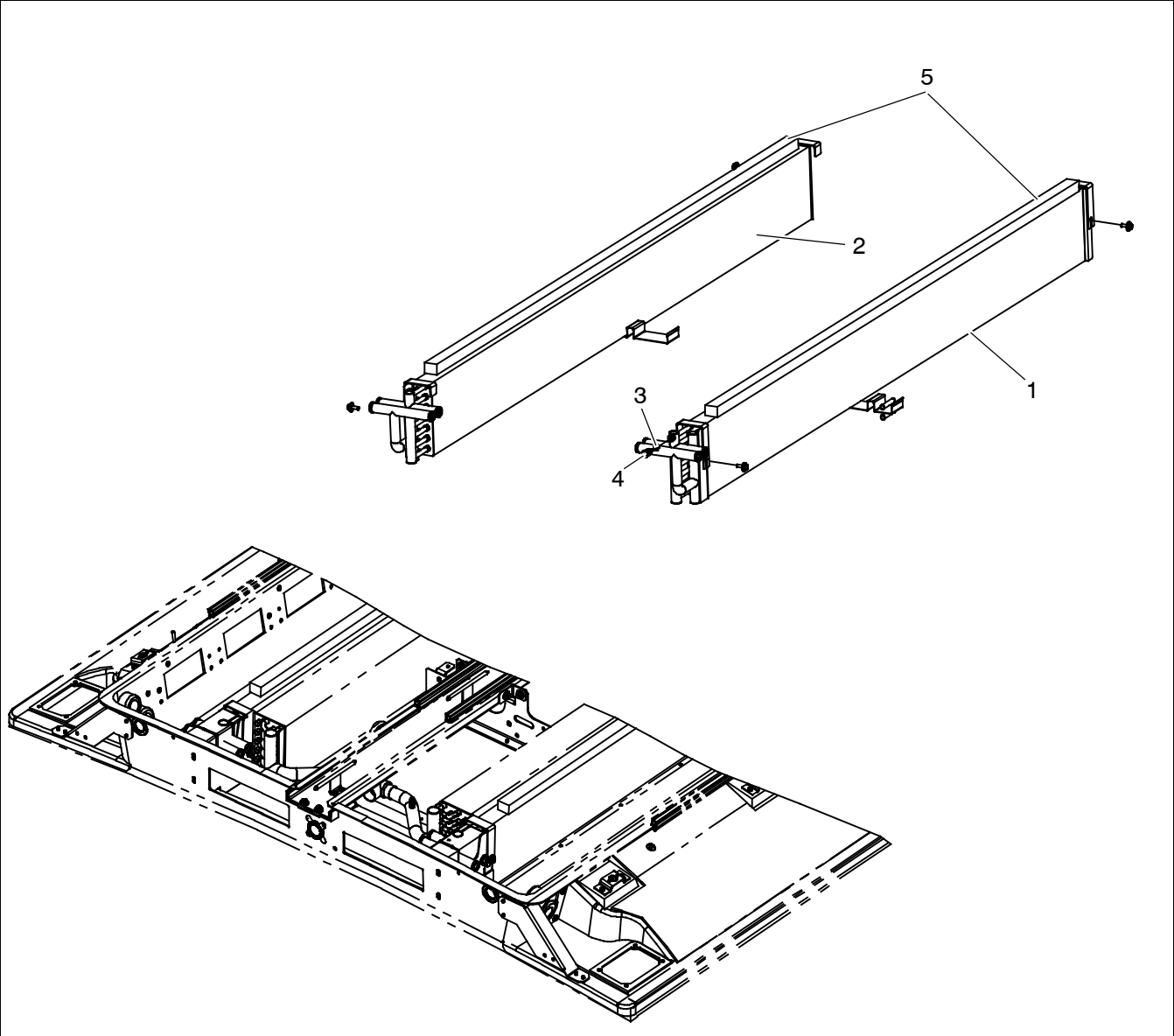


REF: 77-62257-02

Item	Part Number	Description	Qty
1	42-00243-04	O-Ring, 0.5" (12.7) ID x 0.62" (15.7) OD	1
2	40-60010-03	Plug, Female, ORS, 1/2" Tube	1



8 EVAPORATOR HEATING KIT (2 ROW): Option 1

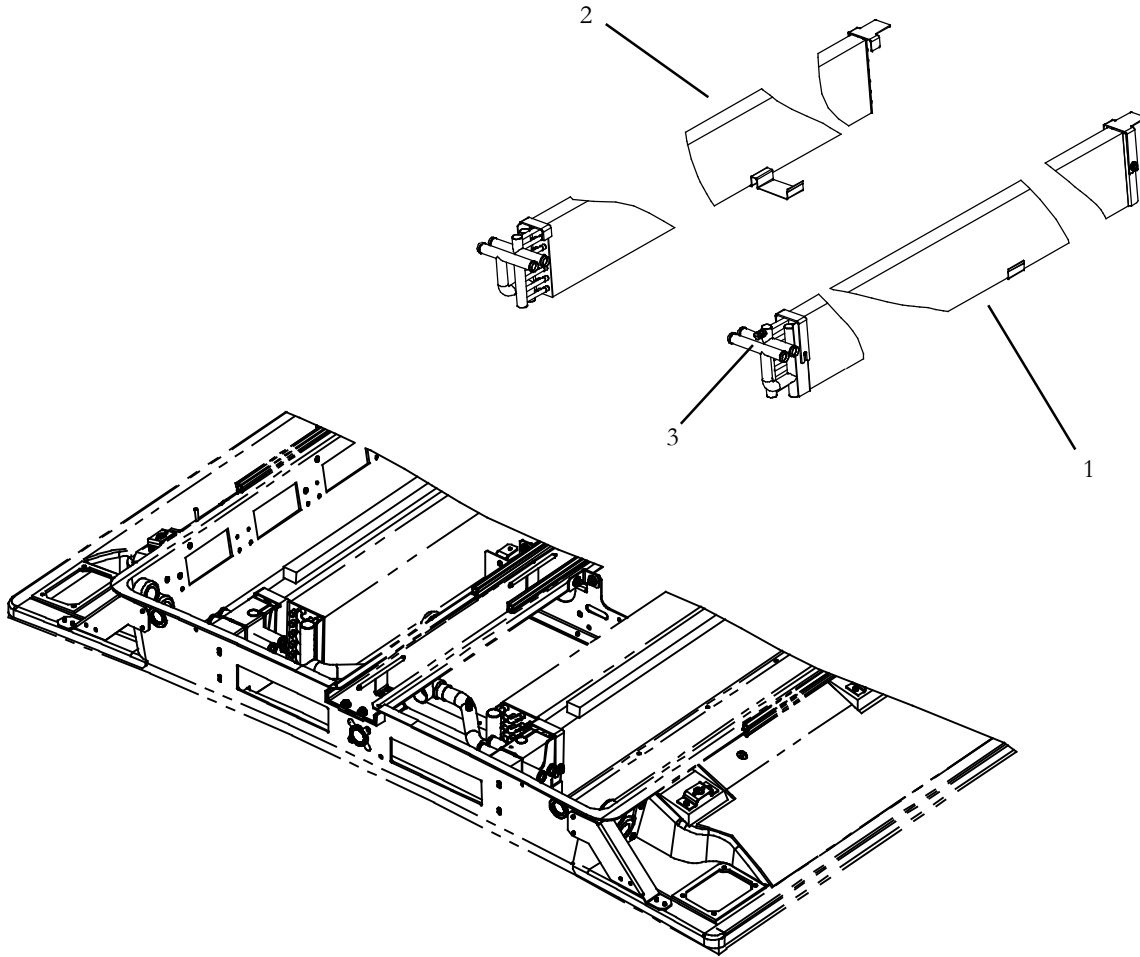


REF: 77-62255-00 A

Item	Part Number	Description	Qty
1	08-67023-00	Coil Assembly, Heater, Right (Curbside)	1
2	08-67023-01	Coil Assembly, Heater, Left (Roadside)	1
3	42-67030-00	Gasket, 10 ID x 13.5 OD x 2	1
4	40-67038-00	Valve, Pressure Relief	1
5	NSI	Gasket, 1.00 Inch Polyurethane	2



8.1 EVAPORATOR HEATING KIT (1 ROW): Option 2



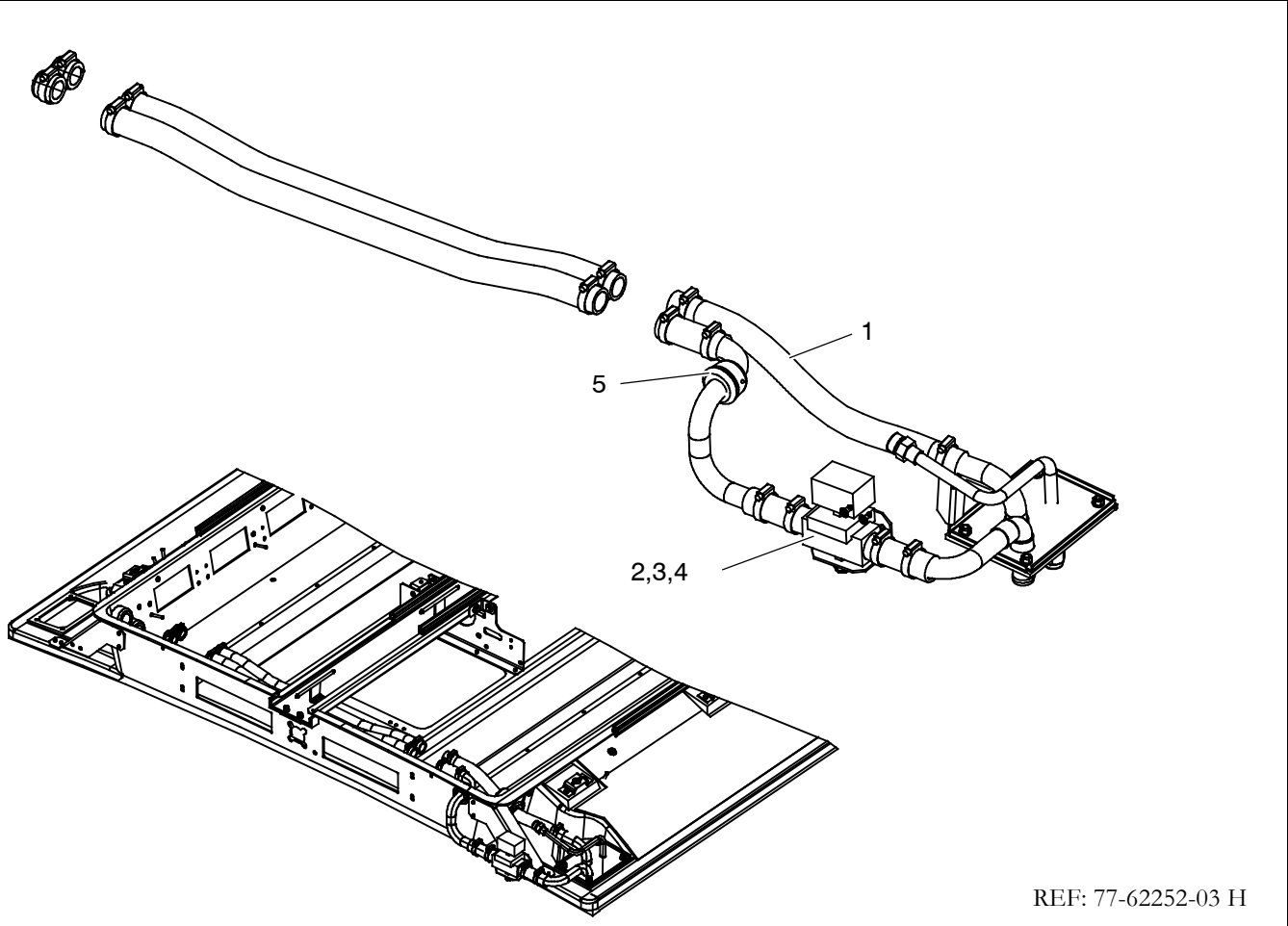
REF: 77-62255-01 F

Item	Part Number	Description	Qty
1	Y22-00003-01	Coil Assembly, Heater, Right (Curbside)	1
2	Y22-00003-00	Coil Assembly, Heater, Left (Roadside)	1
3	46-0008	Valve, Air Vent, 1/8" NPT	1



9 HEATING CONNECTION KITS

9.1 Heating Connection Kit - Right - With Solenoid Valve : Option 1

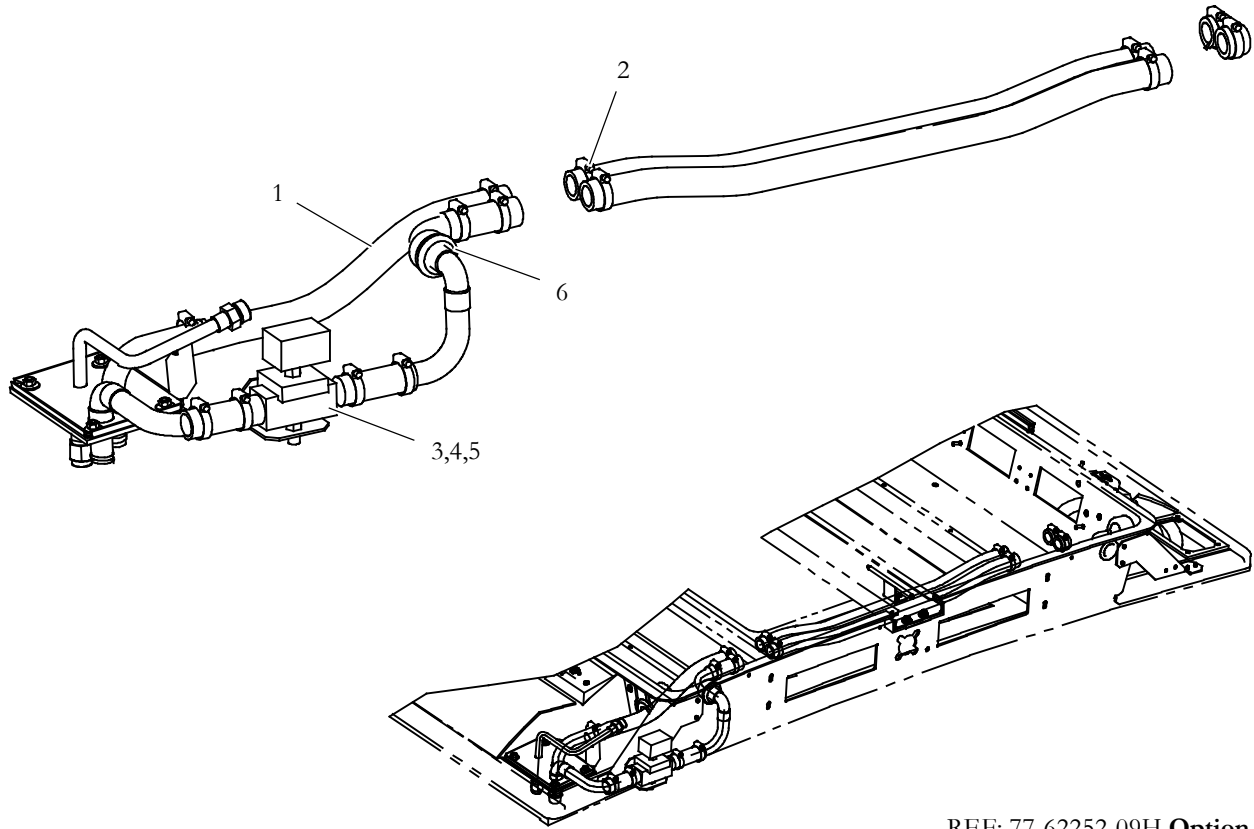


REF: 77-62252-03 H

Item	Part Number	Description	Qty
1	AC301-244	Hose, Heater, 0.87 ID x 50.00 Feet Long Roll	A/R
2	14-00194-04	Valve, Coolant, Solenoid, 7/8 OD Bead End - Includes:	1
3	14-01110-02	Coil, Solenoid Valve, 24 VDC	1
4	14-50036-00	Repair Kit, Solenoid Valve	1
5	58-60298-04	Grommet, Cable Pass, 20-26mm	1



9.2 Heating Connection Kit - Left - With Solenoid Valve, 4 Ply Silicone Hose : Options 2 , 3 & 4



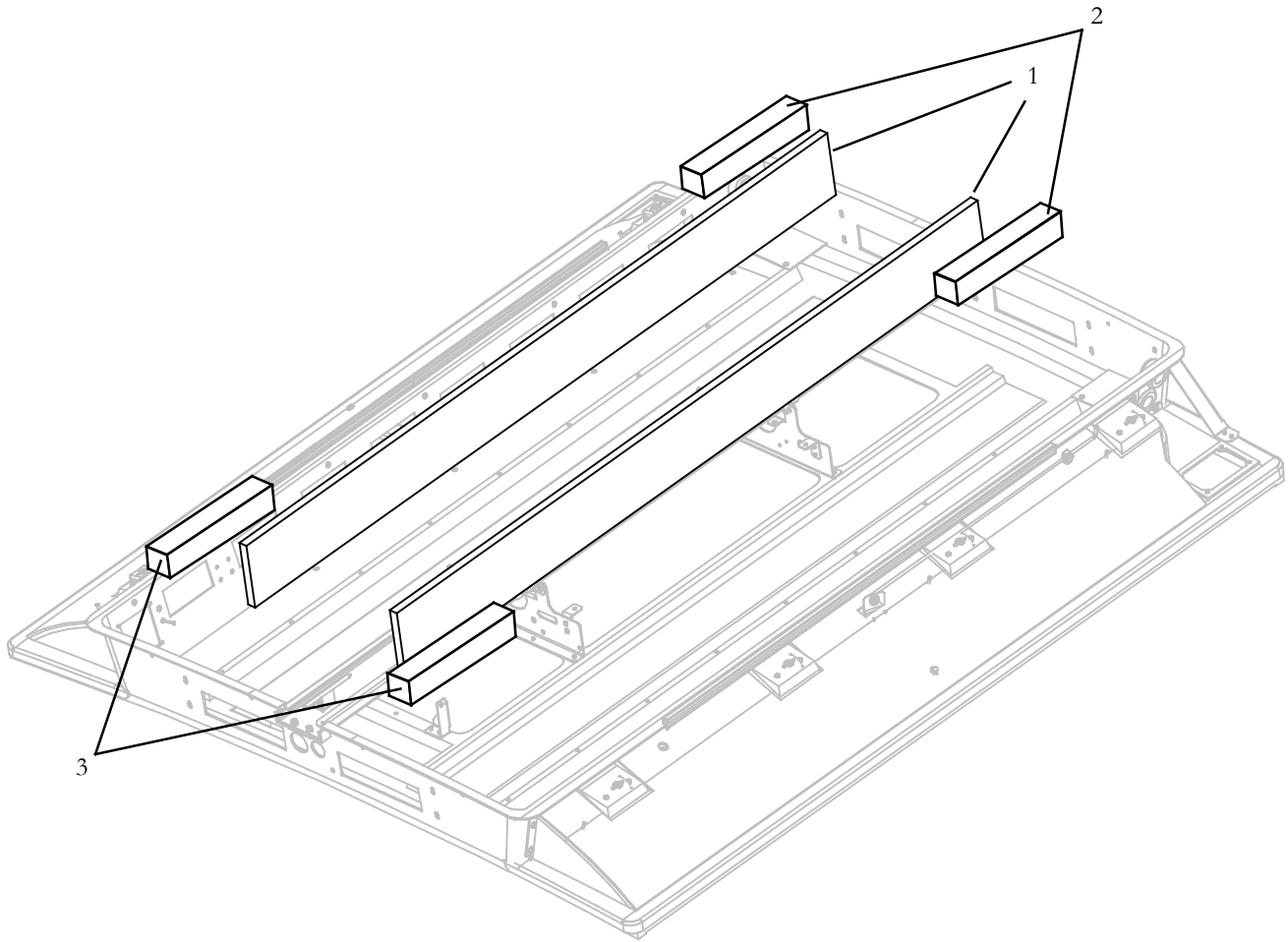
REF: 77-62252-09H **Option 2**
 REF: 77-62252-10H **Option 3**
 REF: 77-62252-12, 13 & 14 N **Option 4**

Item	Part Number	Description	Qty
1	Y37-00007-00	Hose, Heater, 0.88 ID x 12 Feet Long Roll, 4 Ply Silicone: Option 2 & 3	A/R
	Y37-00027-00	Hose, Heater, 0.88 ID x 12 Feet Long Roll, 4 Ply Silicone: Option 4	A/R
2	44-00318-00	Clamp, Hose, Worm Type, Range: .813 To 1.75 Inches: Option 2 & 3	16
	Y39-00039-05	Clamp, Hose, Worm Type, Range: 23mm to 35 mm: Option 4	16
3	14-00194-04	Valve, Coolant, Solenoid, 7/8 OD Bead End - Includes:	1
4	14-01110-02	Coil, Solenoid Valve, 24 VDC	1
5	14-50036-00	Repair Kit, Solenoid Valve	1
6	58-60298-04	Grommet, Cable Pass, 20-26mm	1



10 EVAPORATOR FILTER KIT

10.1 EVAPORATOR FILTER KIT : Options 1 & 2



NOTE: Option 1 uses only Item #1

NOTE: Option 2 uses Items #1,#2 & #3

NOTE: Option 3 uses only Item #2 & #3

Ref: 77-62267-02 B

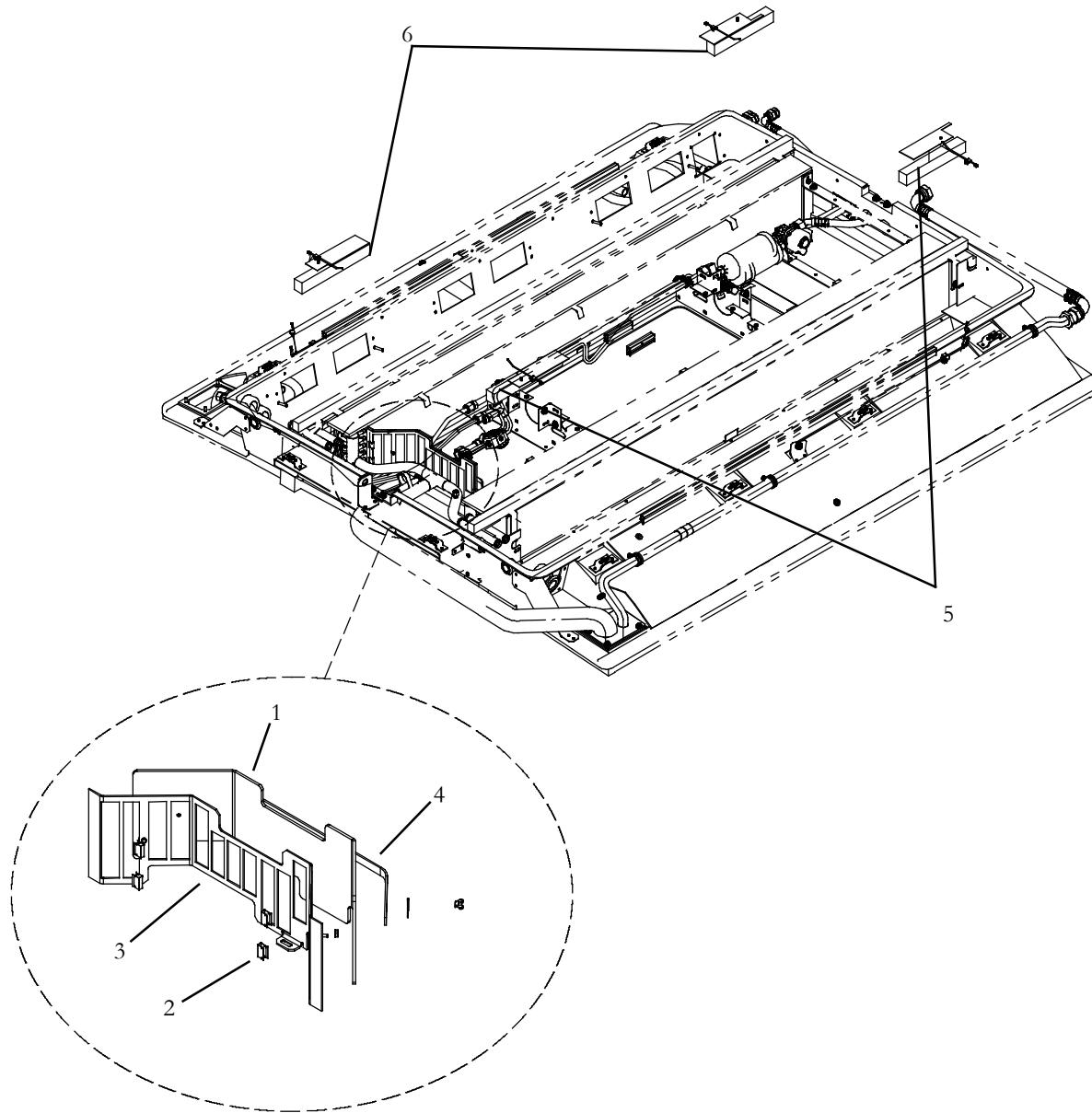
Ref: 77-62267-04 C

Ref: 77-62267-05 D

Item	Part Number	Description	Qty
1	42-62045-02	Filter, Air, Evaporator, 0.75" (19.05) Thick x 6.25" (158.75) x 70.87" (1800.10)	2
2	42-62045-04	Filter, Air, Evaporator, 1.25" (31.75) Thick x 1.50" (38.10) x 9.50" (241.30)	2
3	42-62045-05	Filter, Air, Evaporator, 1.25" (31.75) Thick x 1.50" (38.10) x 11.00" (279.40)	2



10.2 EVAPORATOR FILTER KIT : Option 3



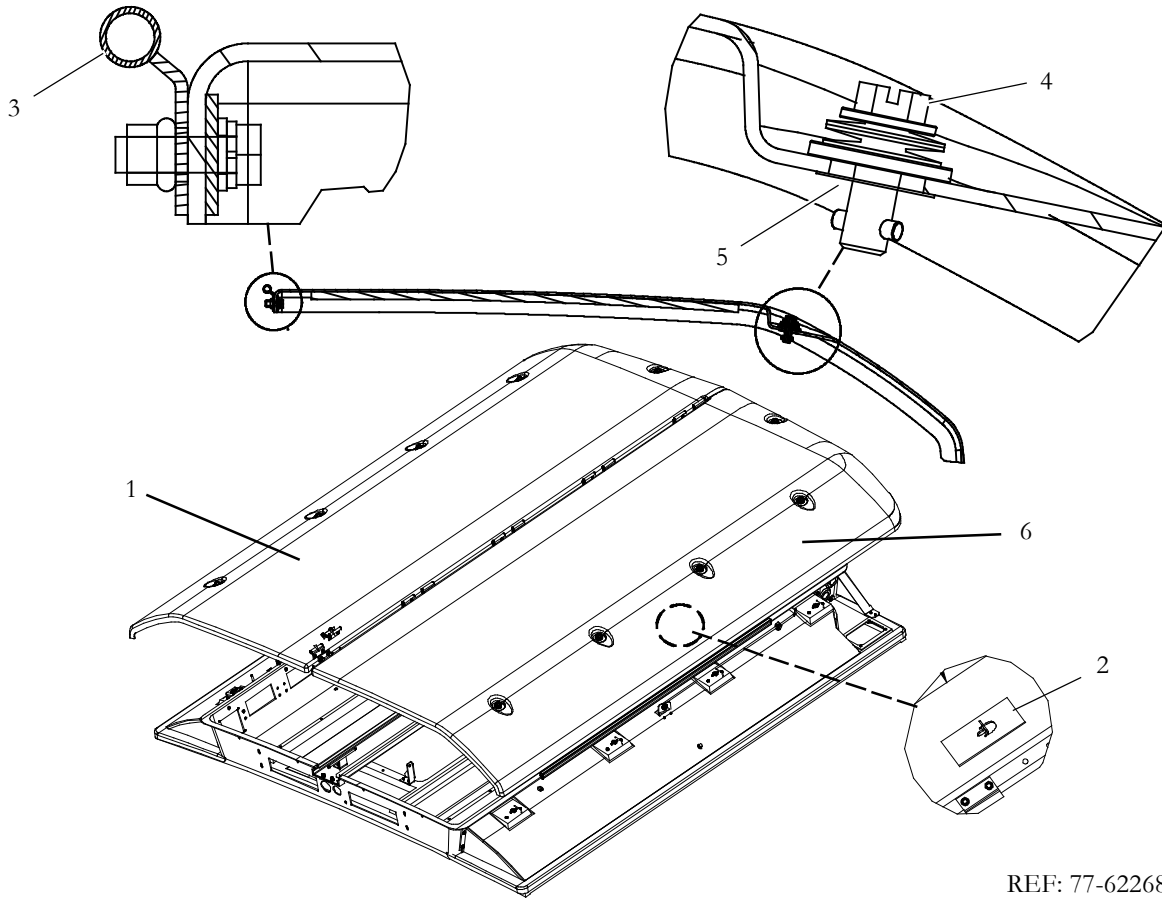
Ref: Y19-35328-00

Item	Part Number	Description	Qty
1	Y23-00010-00	Filter, Air	1
2	44-67003-00	Clamp, Clip On	4
3	Y24-00502-00	Filter Grille	1
4	Y24-00511-00	Grille Strap	1
5	42-62045-04	Filter, Air, Evaporator, 1.25" (31.75) Thick x 1.50" (38.10) x 9.50" (241.30)	2
6	42-62045-05	Filter, Air, Evaporator, 1.25" (31.75) Thick x 1.50" (38.10) x 11.00" (279.40)	2



11 EVAPORATOR COVER KITS

11.1 Evaporator Cover Kit, Standard (R10M) , RAL 9010 White: Option 1

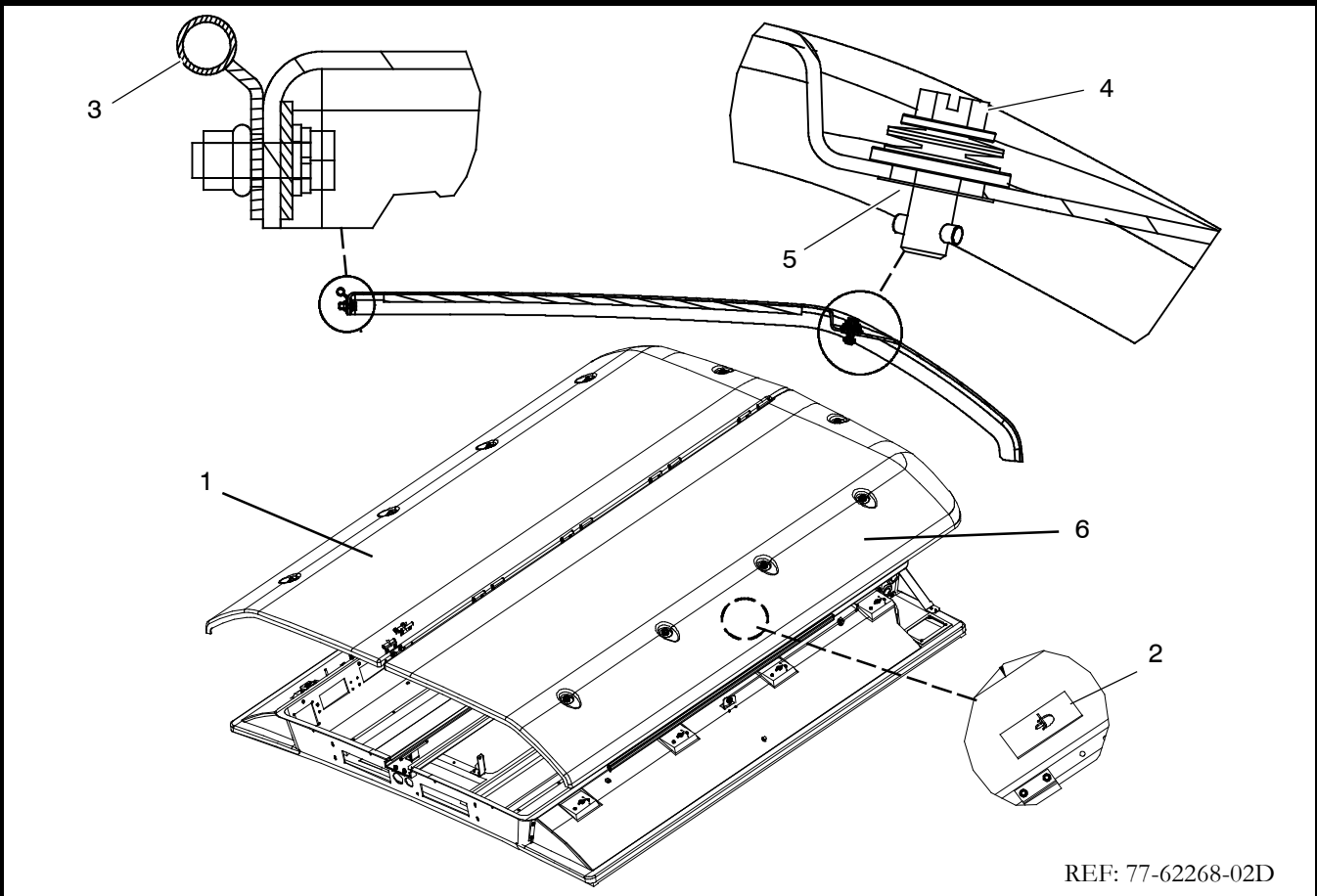


REF: 77-62268-00D

Item	Part Number	Description	Qty
1	79-62142-00	Cover Assembly, Evaporator, Right , R10M - Includes:	1
2	68-67165-00	Bracket, Rod, Cover Support	1
3	44-62004-02	Hinge Assembly, Cover, Evaporator	5
4	34-62015-00	Stud, Captive, 1/4 Turn, With Disc and Flat Washers	5
5	34-67025-00	Washer, Retaining, Steel	5
6	79-62142-01	Cover Assembly, Evaporator, Left , R10M - Includes:	1
2	68-67165-00	Bracket, Rod, Cover Support	1
3	44-62004-02	Hinge Assembly, Cover, Evaporator	5
4	34-62015-00	Stud, Captive, 1/4 Turn, With Disc and Flat Washers	5
5	34-67025-00	Washer, Retaining, Steel	5



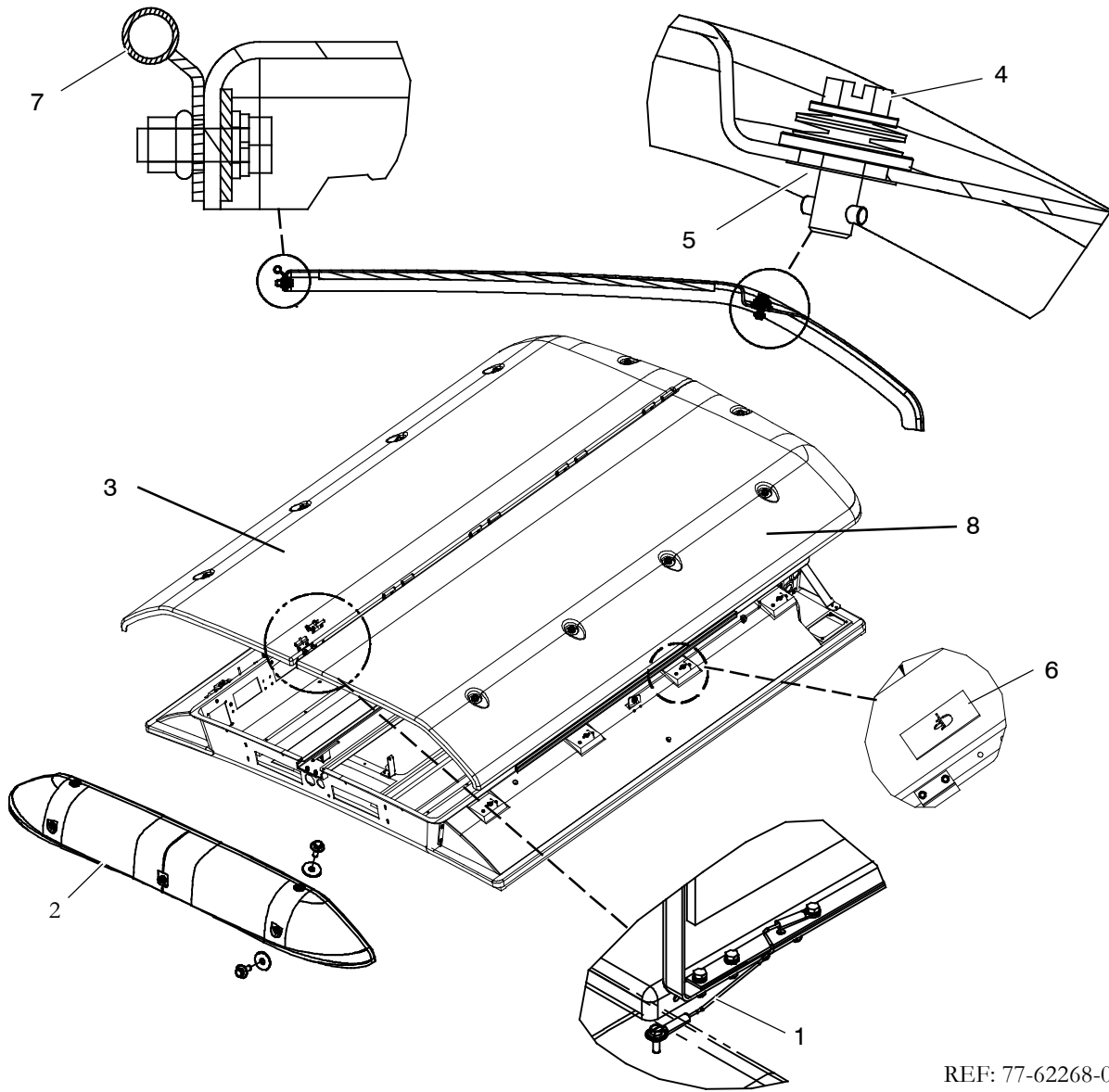
11.2 Evaporator Cover Kit, (R10M) ,CUT Valspar White: Option 2



Item	Part Number	Description	Qty
1	79-62142-04	Cover Assembly, Evaporator, Right , R10M - Includes:	1
2	68-67165-00	Bracket, Rod, Cover Support	1
3	44-62004-02	Hinge Assembly, Cover, Evaporator	5
4	34-62015-00	Stud, Captive, 1/4 Turn, With Disc and Flat Washers	5
5	34-67025-00	Washer, Retaining, Steel	5
6	79-62142-05	Cover Assembly, Evaporator, Left , R10M - Includes:	1
2	68-67165-00	Bracket, Rod, Cover Support	1
3	44-62004-02	Hinge Assembly, Cover, Evaporator	5
4	34-62015-00	Stud, Captive, 1/4 Turn, With Disc and Flat Washers	5
5	34-67025-00	Washer, Retaining, Steel	5



11.3 Evaporator Cover Kit, Evaporator Only Unit With Spoiler (R10M) , Valspar White: Option 3

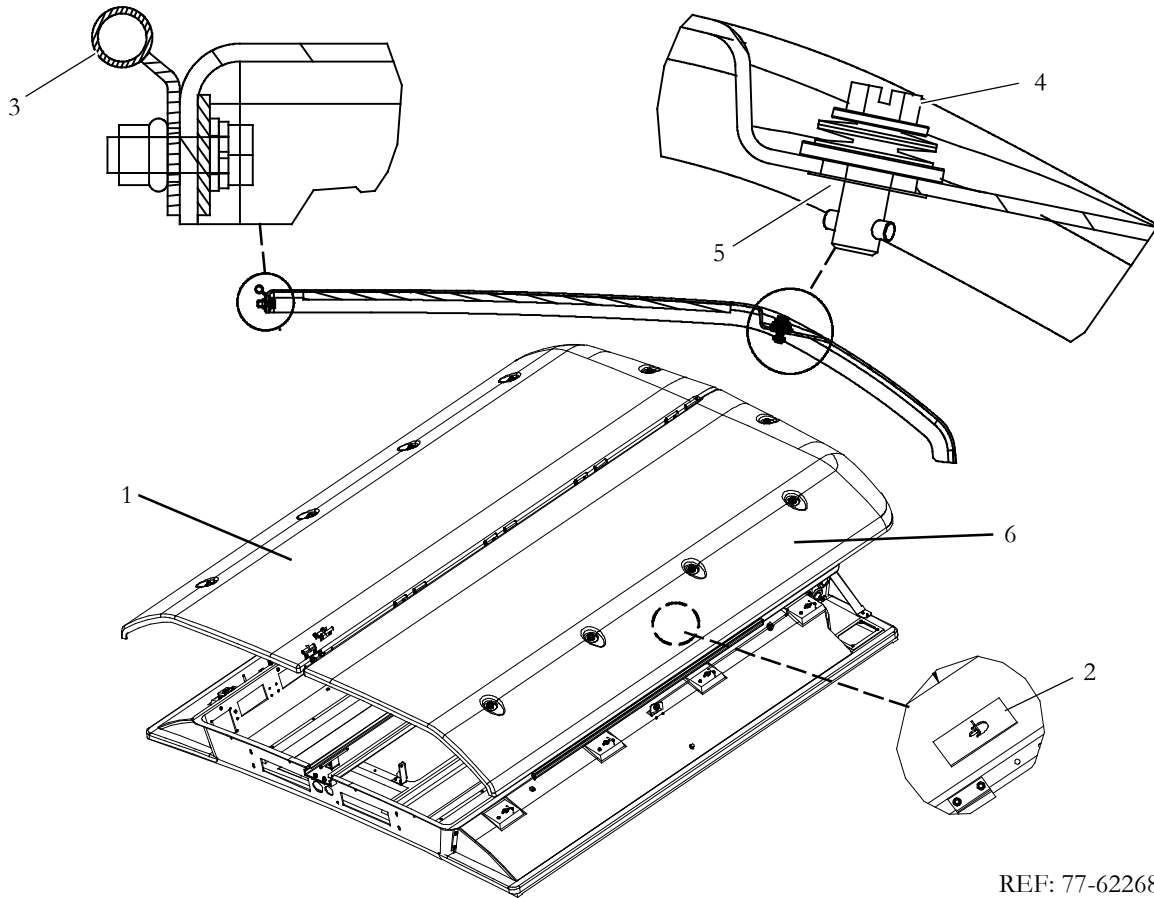


REF: 77-62268-06D

Item	Part Number	Description	Qty
1	79-62111-00	Cable Assembly, Safety	2
2	79-62141-02	Spoiler, H353	1
3	79-62142-04	Cover Assembly, Right, R10M - Includes:	1
4	34-62015-00	Stud, Captive, 1/4 Turn, With Disc and Flat Washers	5
5	34-67025-00	Ring, Retaining, 1/4 Turn	5
6	68-67165-00	Bracket, 2.0mm Thick, Aluminum	1
7	44-62004-02	Hinge, Cover, Evaporator	5
8	79-62142-05	Cover Assembly, Left, R10M - Includes:	1
4	34-62015-00	Stud, Captive, 1/4 Turn, With Disc and Flat Washers	5
5	34-67025-00	Ring, Retaining, 1/4 Turn	5
6	68-67165-00	Bracket 2.0mm Thick, Aluminum	1
7	44-62004-02	Hinge, Cover, Evaporator	5



11.4 Evaporator Cover Kit, (R10M) , CUT, Aztech, Frost White: Option 4

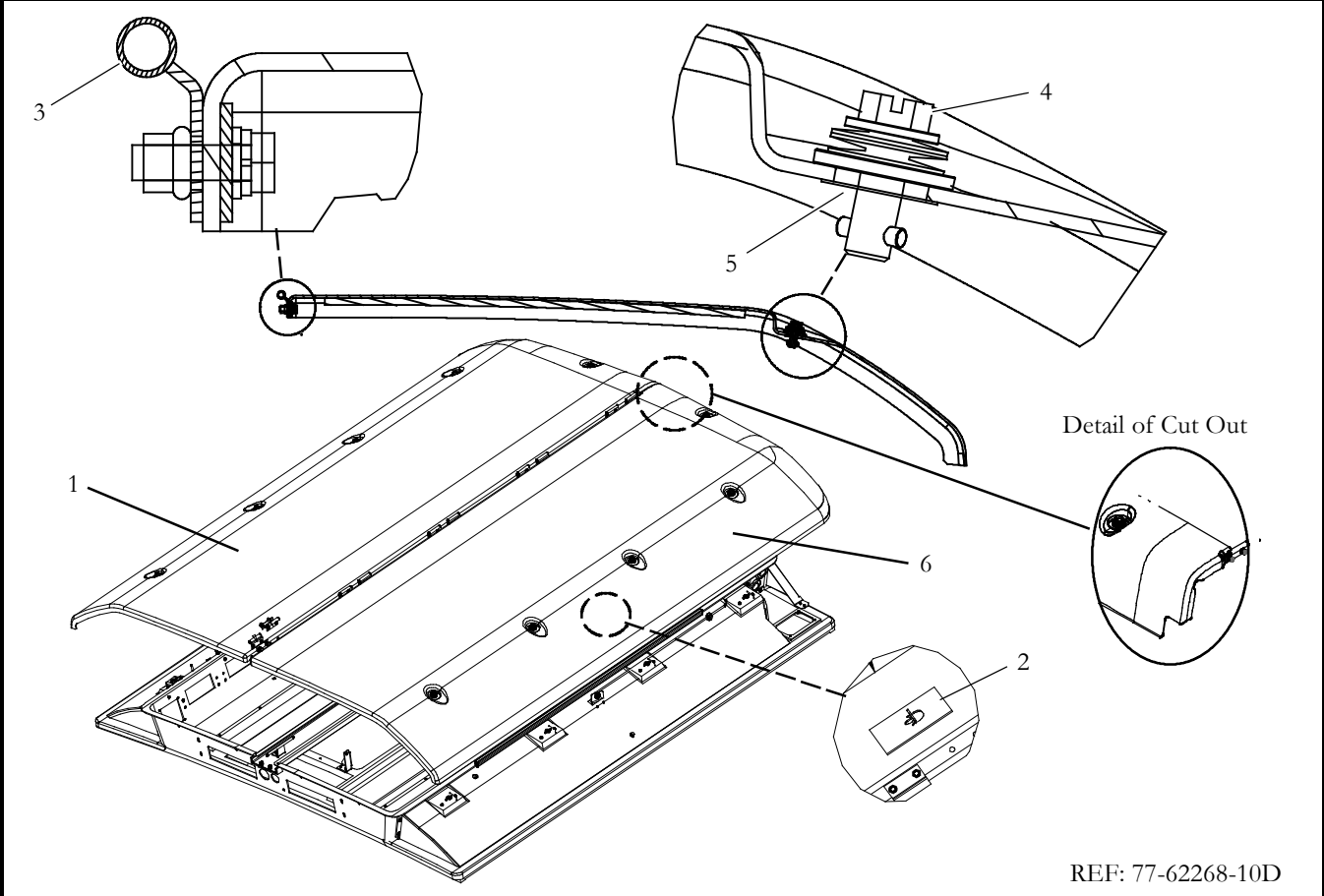


REF: 77-62268-09D

Item	Part Number	Description	Qty
1	79-62142-08	Cover Assembly, Evaporator, Right , R10M - Includes:	1
2	68-67165-00	Bracket, Rod, Cover Support	1
3	44-62004-02	Hinge Assembly, Cover, Evaporator	5
4	34-62015-00	Stud, Captive, 1/4 Turn, With Disc and Flat Washers	5
5	34-67025-00	Washer, Retaining, Steel	5
6	79-62142-09	Cover Assembly, Evaporator, Left , R10M - Includes:	1
2	68-67165-00	Bracket, Rod, Cover Support	1
3	44-62004-02	Hinge Assembly, Cover, Evaporator	5
4	34-62015-00	Stud, Captive, 1/4 Turn, With Disc and Flat Washers	5
5	34-67025-00	Washer, Retaining, Steel	5



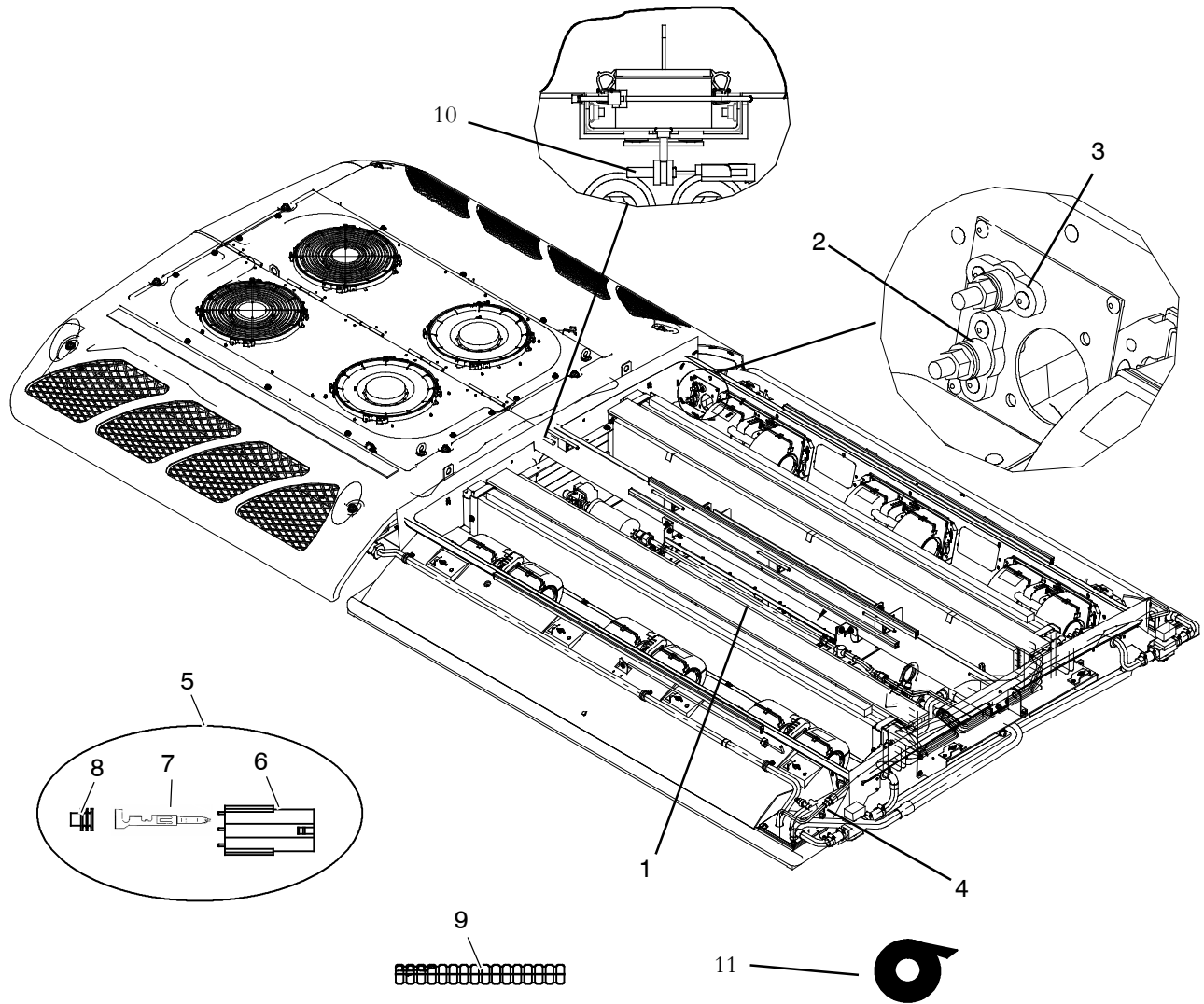
11.5 Evaporator Cover Kit, (R10M) , SEPTA White W/Cut Out: Option 5



Item	Part Number	Description	Qty
1	79-62142-04	Cover Assembly, Evaporator, Right , R10M - Includes:	1
2	68-67165-00	Bracket, Rod, Cover Support	1
3	44-62004-02	Hinge Assembly, Cover, Evaporator	5
4	34-62015-00	Stud, Captive, 1/4 Turn, With Disc and Flat Washers	5
5	34-67025-00	Washer, Retaining, Steel	5
6	79-62142-10	Cover Assembly, Evaporator, Left , R10M, W/Cut Out - Includes:	1
2	68-67165-00	Bracket, Rod, Cover Support	1
3	44-62004-02	Hinge Assembly, Cover, Evaporator	5
4	34-62015-00	Stud, Captive, 1/4 Turn, With Disc and Flat Washers	5
5	34-67025-00	Washer, Retaining, Steel	5



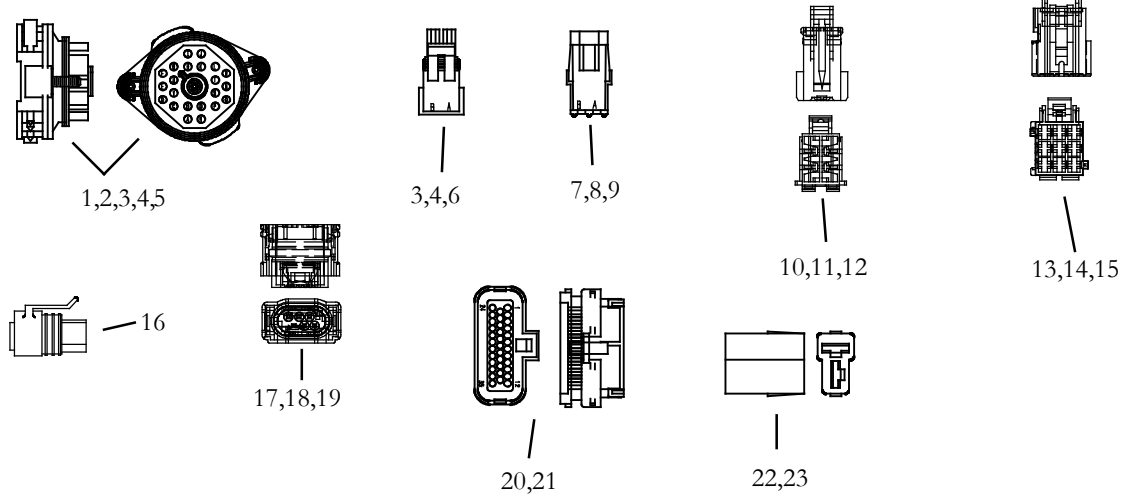
12 EVAPORATOR ELECTRICAL COMPONENTS: COMMON



Item	Part Number	Description	Qty
1	NSI	Panel Assembly, Electric, AC353 (See Section 13)	1
2	22-62180-01	Block Assembly, Junction, Stud Type, 3/8 - 16 Thread, Red	1
3	22-62180-00	Block Assembly, Junction, Stud Type, 3/8 - 16 Thread, Black	1
4	12-00352-00	Transducer, Pressure, 1/4 SAE Female Flare	2
5	22-02392-00SV	Connector Kit, 2 Pin - Includes:	1
6	NSS	Connector, 2 Pin, Black	1
7	22-02393-01	Terminal, Male (18-20 AWG)	2
8	22-02394-01	Seal, Cable	2
9	58-00858-00	Tubing, Split, Corrugated, 1/4 Inch ID x 25 Feet Long	A/R
10	Y25-00011-00	Thermistor Assembly	1
11	02-00137-00	Tape, Coroplast	A/R



12.1 Electrical Harness Connectors and Terminals: Common

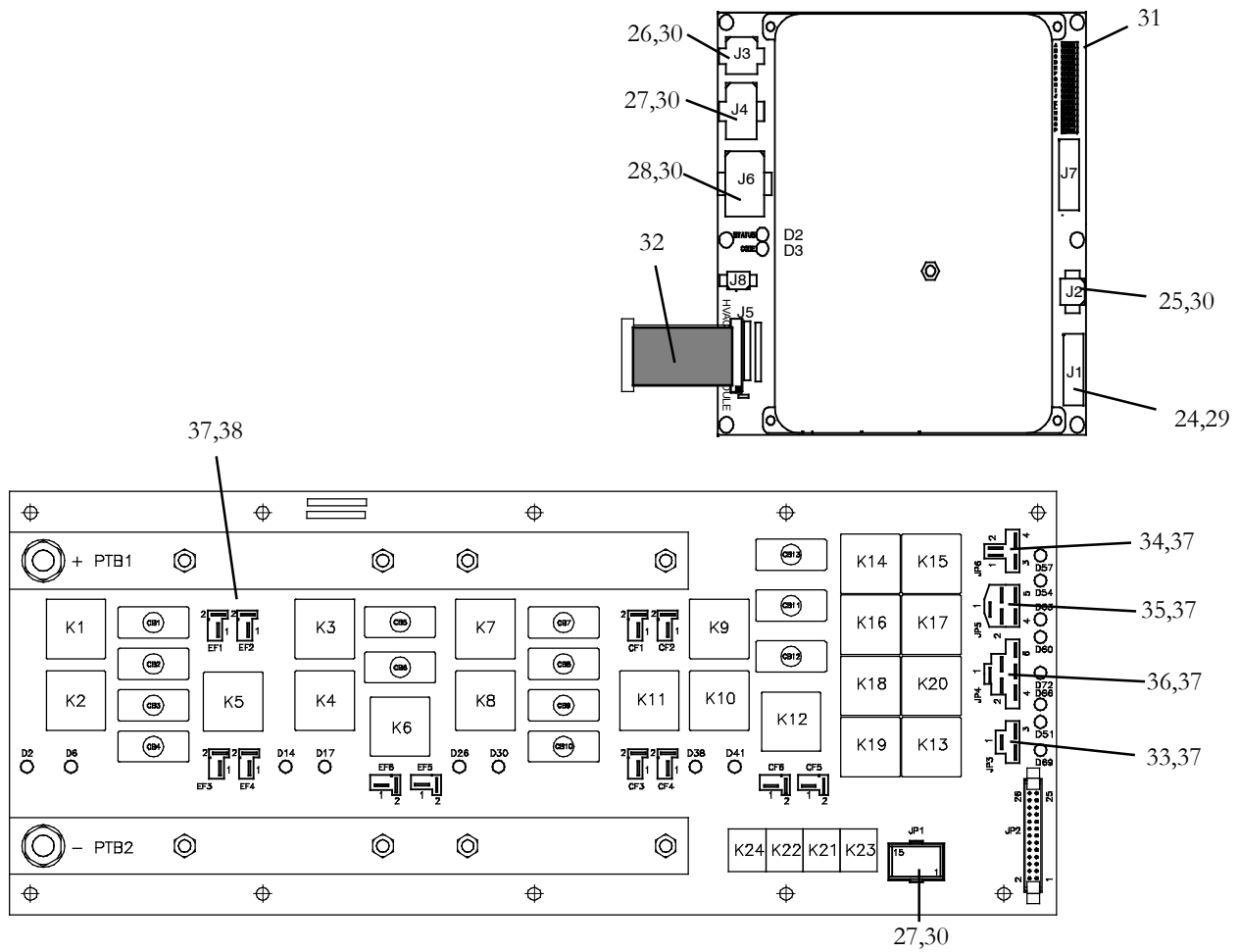


NOTE: For More Electrical Connector Part Numbers and Cross Reference, Please See Manual T-375PL

Item	Part Number	Description	Qty
1	22-01565-00	22 Way Weatherpac Connector, Female	1
2	22-50078-09A	Secondary Lock	2
3	22-50078-58F	Terminal, Female, 18-20 AWG	A/R
4	22-50078-58G	Terminal, Female, 14-16 AWG	A/R
5	22-01565-01	Plug, Cavity	A/R
6	22-01585-00	2 Way Weatherpac Connector Tower, Female (Black)	A/R
7	22-02392-00	2 Way Weatherpac Connector SHD, Male (Black)	A/R
8	22-02393-01	Terminal, Male, 18-20 AWG	A/R
9	22-02393-00	Terminal, Male, 14-16 AWG	A/R
10	22-50099-39	Connector, 6 Position JPT , Female (Evap. Mtr. Brushless, Harness side)	A/R
11	22-50099-39A	Terminal, Female, 12-14 AWG	A/R
12	22-50099-39B	Terminal, Female, 17-20 AWG	A/R
13	22-50099-42	Connector, 9 Position JPT , Female	A/R
14	22-50099-42A	Terminal, Female, 12-14 AWG	A/R
15	22-50099-42B	Terminal, Female, 17-20 AWG	A/R
16	22-02448-00SV	Connector Package, Transducer, Female (Harness): Includes Terminals	2
17	22-50099-43	Connector, 6 Position Tyco, Female (Fresh Air Motor, Harness Side)	1
18	22-50099-43A	Terminal, Female, 18 AWG	A/R
19	22-50099-43B	Terminal, Female, 20-24 AWG	A/R
20	22-50098-16	Connector, 35 Position, Female (JA, Relay Brd. Harness Side)	1
21	22-50098-19	Terminal, Female	A/R
22	22-50098-76	Connector, 2 Position (Brushed PM Motors, Harness Side)	A/R
23	22-50098-76A	Terminal,	A/R



12.1 Electrical Harness Connectors and Terminals: Common (Continued)

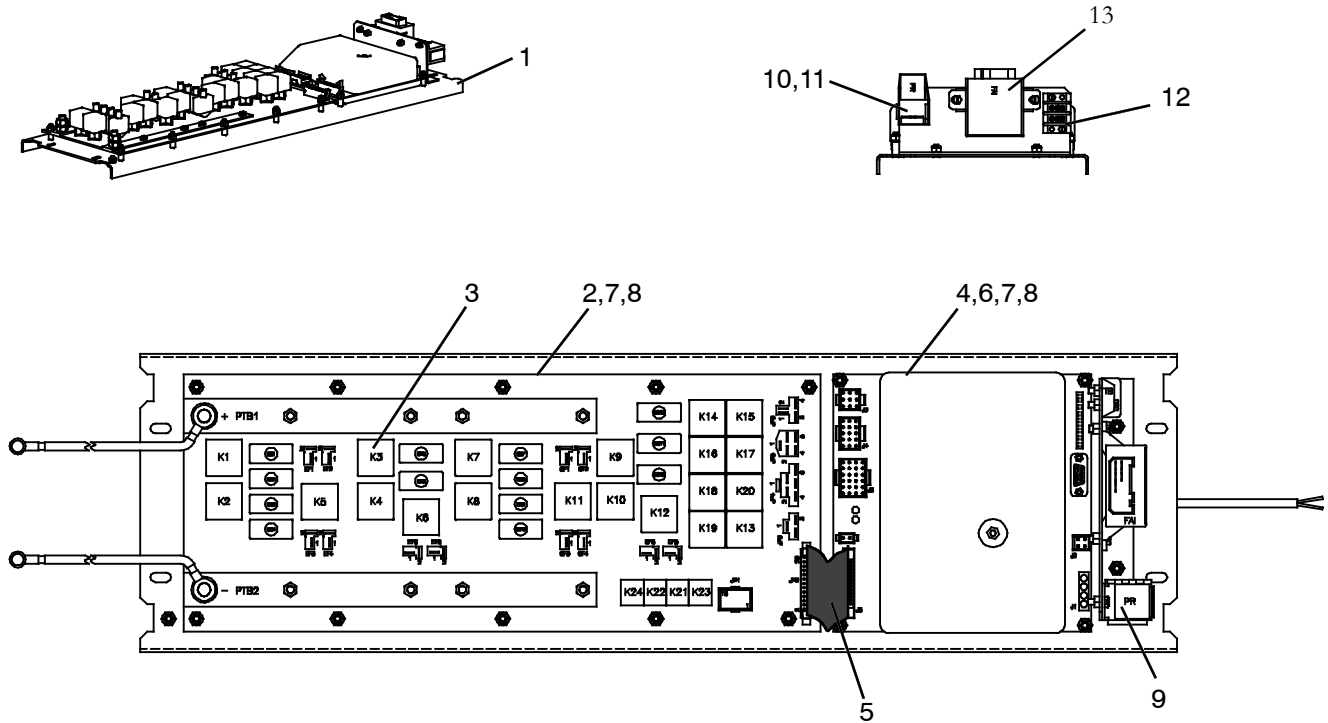


Item	Part Number	Description	Qty
24	22-50144-00	Connector, 4 Position (J1) (Harness Side)	1
25	22-50145-00	Connector, 4 Position (J2) (Harness Side)	1
26	22-50146-00	Connector, 9 Position (J3) (Harness Side)	1
27	22-50143-00	Connector, 15 Position (J4) (Harness Side)	1
28	CM983-618	Connector, 24 Position (J6) (Harness Side)	1
29	22-50153-00	Terminal, Socket, Female (J1) (Harness Side)	A/R
30	22-50152-00	Terminal, Socket, Female (J2,J3,J4,J6) (Harness Side)	A/R
31	12-00558-80	Jumpers	A/R
32	22-50236-00	Harness, Ribbon Cable 26 Pin (Logic Module to Relay Board)	1
33	22-50135-00	Connector, Female, 3 Position (JP3) (Harness Side)	1
34	22-50138-00	Connector, Female, 4 Position (JP6) (Harness Side)	1
35	22-50137-00	Connector, Female, 5 Position (JP5) (Harness Side)	1
36	22-50136-00	Connector, Female, 6 Position (JP4) (Harness Side)	1
37	22-50148-00	Terminal, Female, (JP3,JP4,JP5,JP6,EF,CF) (Harness Side)	A/R
38	22-50134-00	Connector, Female, 2 Position (EF & CF) (Harness Side)	12



13 ELECTRICAL CONTROL PANELS

13.1 GR60 Relay Board - Option 1 (Right) and (Left)

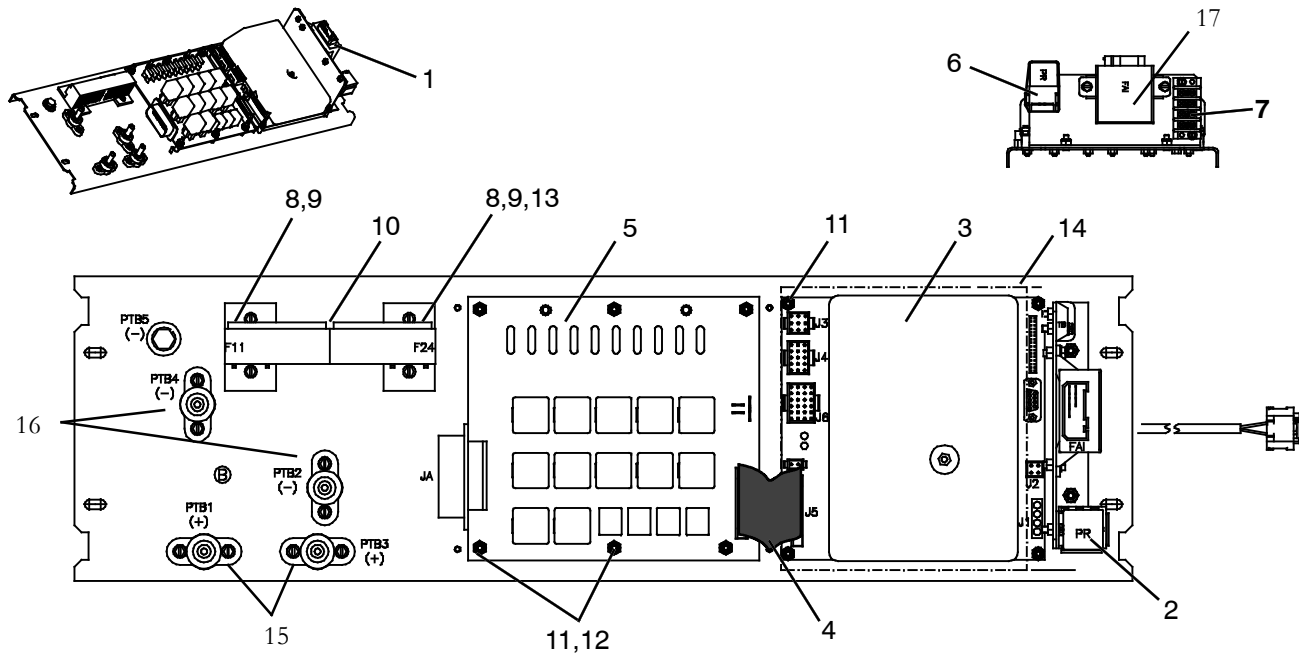


Ref. Kits 77-62229-00
77-62229-05

Item	Part Number	Description	Qty
1	NSA	Panel Assembly, Electrical, AC353 G4 (91-62094-00) - Includes:	1
2	12-00393-00	Board Assembly, Relay, Includes:	1
3	10-00286-13	Relay, SPDT, 24 VDC	20
4	12-00392-18	Module, Logic Controller 24 VDC (300 PSI) - Includes:	1
5	22-50236-00	Harness, Ribbon Cable, 26 Pin (Logic Module To Relay Board)	1
6	12-00495-02SV	Thermistor Sensor Kit, (Replacement For 12-00305-04)	1
7	34-62000-00	Spacer, Nylon	14
8	58-00511-08	Washer, Flat, Nylon, 0.031 Thick x 0.22 ID x 0.50 OD	14
9	10-00286-13	Relay, SPDT, 24 VDC	1
10	AC201-901	Connector, Relay	1
11	AC201-931	Lock, Connector, Relay	1
12	22-01563-04	Block, Terminal, 2 Poles #6-32 x 1/4 Inch Long	1
13	Y35-00001-00	Inverter	1



13.2 Micromax Relay Board - Option 2

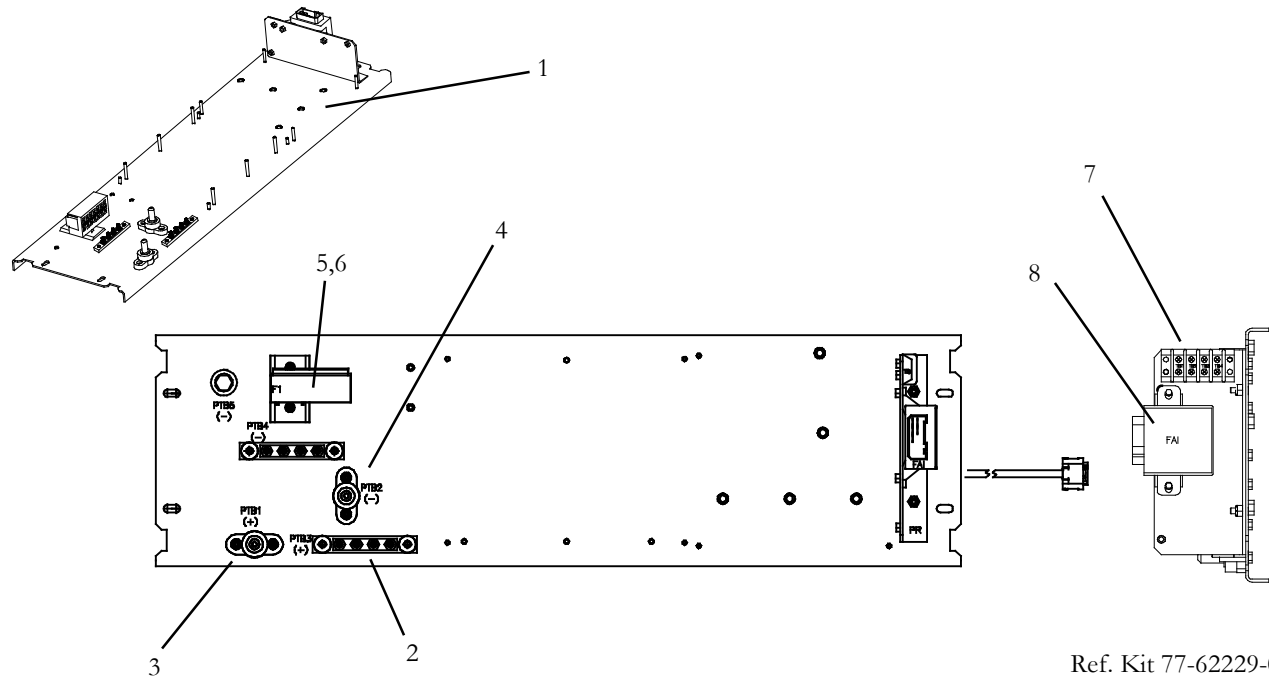


Ref. Kit 77-62229-03

Item	Part Number	Description	Qty
1	NSA	Panel Assembly, Electric, AC353 G4 Brushless (91-62095-01) - Includes:	1
2	10-00286-13	Relay, SPDT, With Diode	1
3	12-00392-18	Module, Logic Controller 24VDC (350PSI) - Includes:	1
	12-00392-19	Module, Logic Controller 24VDC (350PSI) - Includes: (Brampton Only)	1
4	22-50236-00	Harness, Ribbon Cable, 26 Pin (Logic Module to Relay Board)	1
5	12-00486-01	Board, Relay	1
6	AC201-901	Connector, Relay Socket	1
7	22-01563-05	Terminal Block, 4 Poles	1
8	22-62036-00	Fuse Holder, ATC Fuse	2
9	22-62038-00	Bracket, Fuse Holder	2
10	22-62040-00	Lock, Secondary Wedge, Fuse Holder	1
11	34-62000-00	Spacer, Nylon	10
12	58-00511-08	Washer, Flat, Nylon, 0.031 Thick x 0.22 ID X 0.50 OD	6
13	22-62039-01	Lock, Secondary Fuse Holder	26
14	12-00495-02SV	Thermistor Sensor Kit, (Replacement For 12-00305-04)	1
15	22-50098-91	Stud, Terminal (RED)	2
16	22-50098-91A	Stud, Terminal (BLACK)	2
17	Y35-00001-00	Inverter	1



13.3 Brushless Slave Unit: Option 3

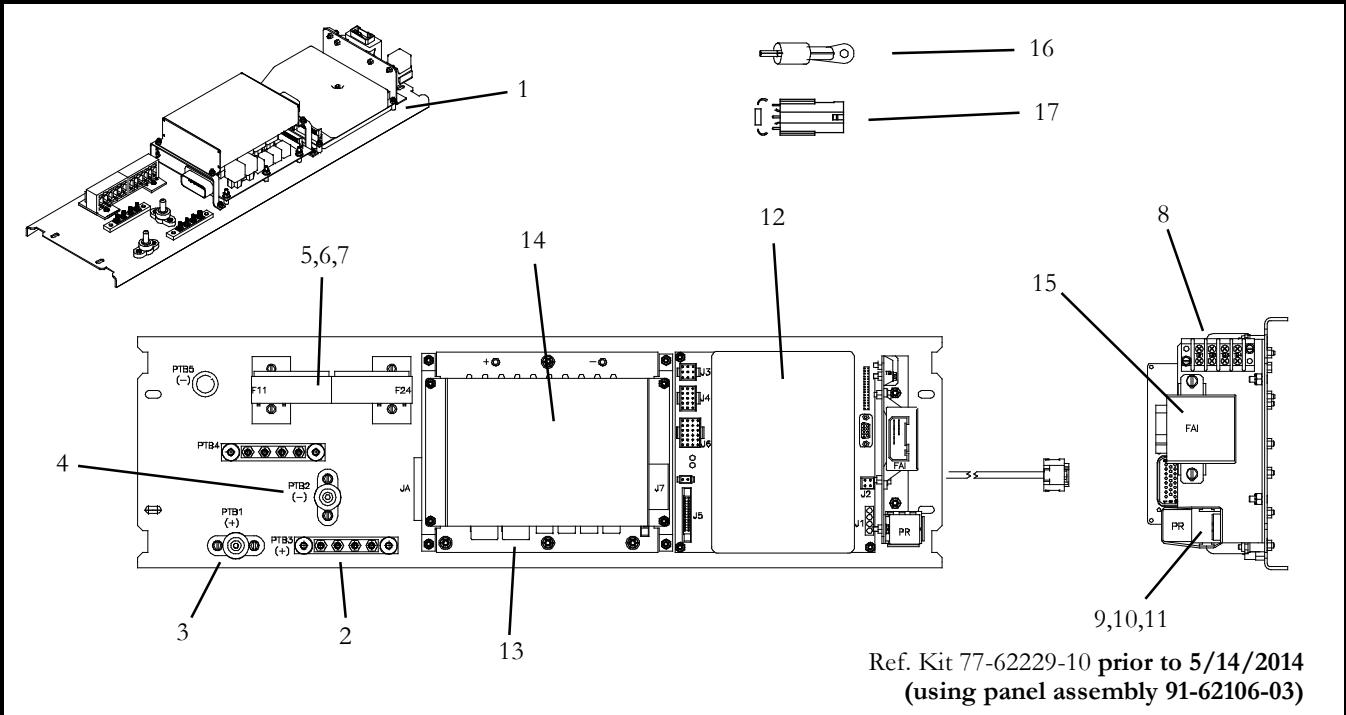


Ref. Kit 77-62229-09

Item	Part Number	Description	Qty
1	NSA	Panel Assembly, Electric, AC353 G4 Brushless (91-62106-02) - Includes:	1
2	Y35-00005-00	Buss Bar, 4 Position	2
3	22-50098-91	Stud, Terminal (RED)	1
4	22-50098-91A	Stud, Terminal (BLACK)	1
5	22-62036-00	Fuse Holder, ATC Fuse	1
6	22-62039-01	Fuse Holder, Secondary Lock	13
NS	AC201-600	In Line Diode, 6 Amp	1
7	22-01563-05	Terminal Block, 4 Pole	1
8	Y35-00001-00	Inverter	1



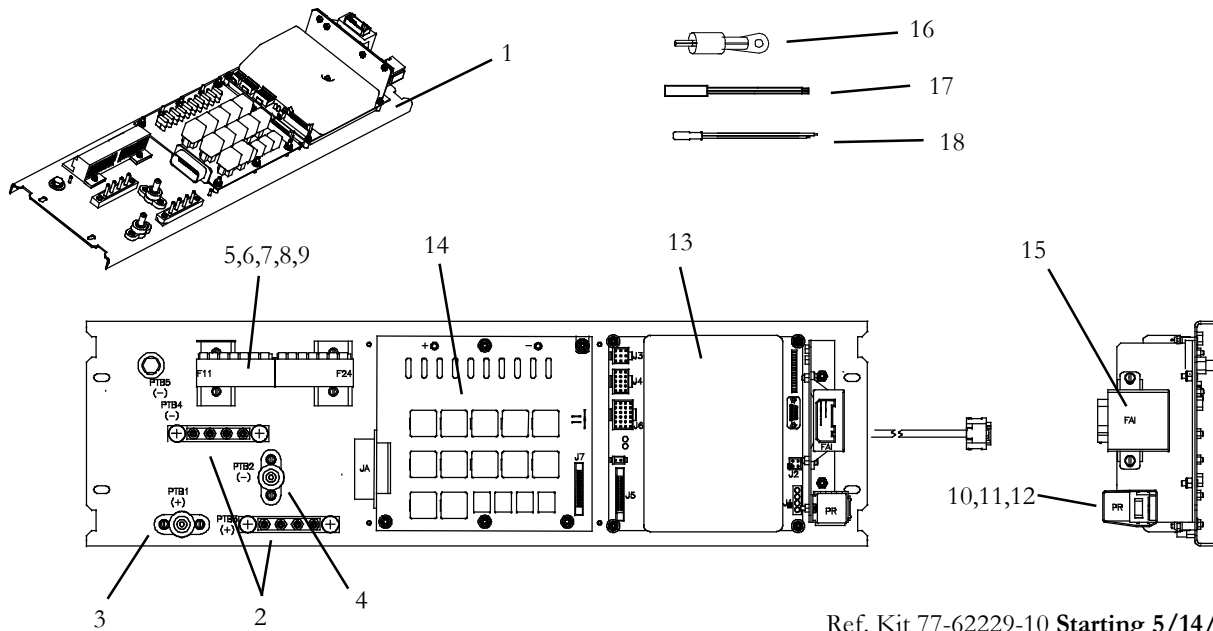
13.4 MicroMax Relay Board W/CAN & RRAS Thermistor: Option 4



Item	Part Number	Description	Qty
1	NSA	Panel Assembly, Electric, AC353 G4 Brushless (91-62106-03) - Includes:	1
2	Y35-00005-00	Buss Bar, 4 Position	2
3	22-50098-91	Stud, Terminal (RED)	1
4	22-50098-91A	Stud, Terminal (BLACK)	1
5	22-62036-00	Fuse Holder, ATC Fuse	2
6	22-62039-01	Fuse Holder, Secondary Lock	26
7	22-62040-00	Fuse Holder, Secondary Lock, Wedge	1
NS	AC201-600	In Line Diode, 6 Amp	1
8	22-01563-05	Terminal Block, 4 Pole	1
9	10-00286-13	Relay, SPDT w/Diode	1
10	AC201-901	Relay Socket, Connector	1
11	AC201-931	Lock, Secondary	1
12	12-00684-00	Logic Board, MicroMax	1
13	12-00486-01	Relay Board	1
14	12-00659-01	Logic Board, Data Communications	1
NS	NSI	Harness, MicroMax Logic Board to Data Com. Logic Board (22-62265-01)	1
15	Y35-00001-00	Inverter	1
16	12-00495-02SV	Thermistor Sensor Kit, (Replacement For 12-00305-04)	1
17	22-04116-00	Thermistor Assembly, RRAS	1



13.4 MicroMax Relay Board W/CAN & RRAS Thermistor: Option 4 (Continued)

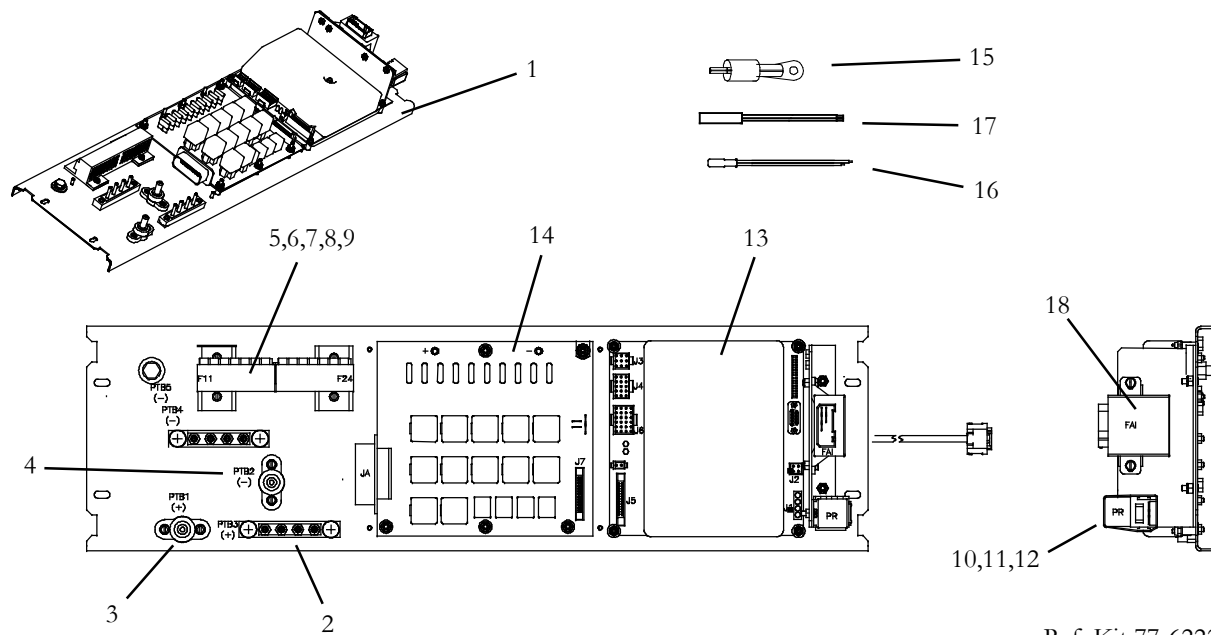


Ref. Kit 77-62229-10 Starting 5/14/2014
(using panel assembly Y25-00010-00)

Item	Part Number	Description	Qty
1	NSA	Panel Assembly, Electric, AC353 G4 Brushless (Y25-00010-00) - Includes:	1
2	Y35-00005-00	Buss Bar, 4 Position	2
3	22-50098-91	Stud, Terminal (RED)	1
4	22-50098-91A	Stud, Terminal (BLACK)	1
5	22-62036-00	Fuse Holder, ATC Fuse	2
6	22-62039-01	Fuse Holder, Secondary Lock	26
7	22-62040-00	Fuse Holder, Secondary Lock, Wedge	1
8	22-02336-01	Fuse, 20A	12
9	22-02336-04	Fuse, 10A	1
NS	AC201-600	In Line Diode, 6 Amp	1
10	10-00286-13	Relay, SPDT w/Diode	1
11	AC201-901	Relay Socket, Connector	1
12	AC201-931	Lock, Secondary	1
13	12-00693-04	Logic Board, MicroMax	1
14	12-00486-01	Relay Board	1
15	Y35-00001-00	Inverter	1
16	12-00495-02SV	Thermistor Sensor Kit, (Replacement For 12-00305-04)	1
17	35-0011	Thermistor, DAT (Yellow Leads)	1
18	35-0008	Thermistor, CWITS (Blue/White Leads)	1



13.5 MicroMax Relay Board W/CAN (NYCTA & TCC): Option 5

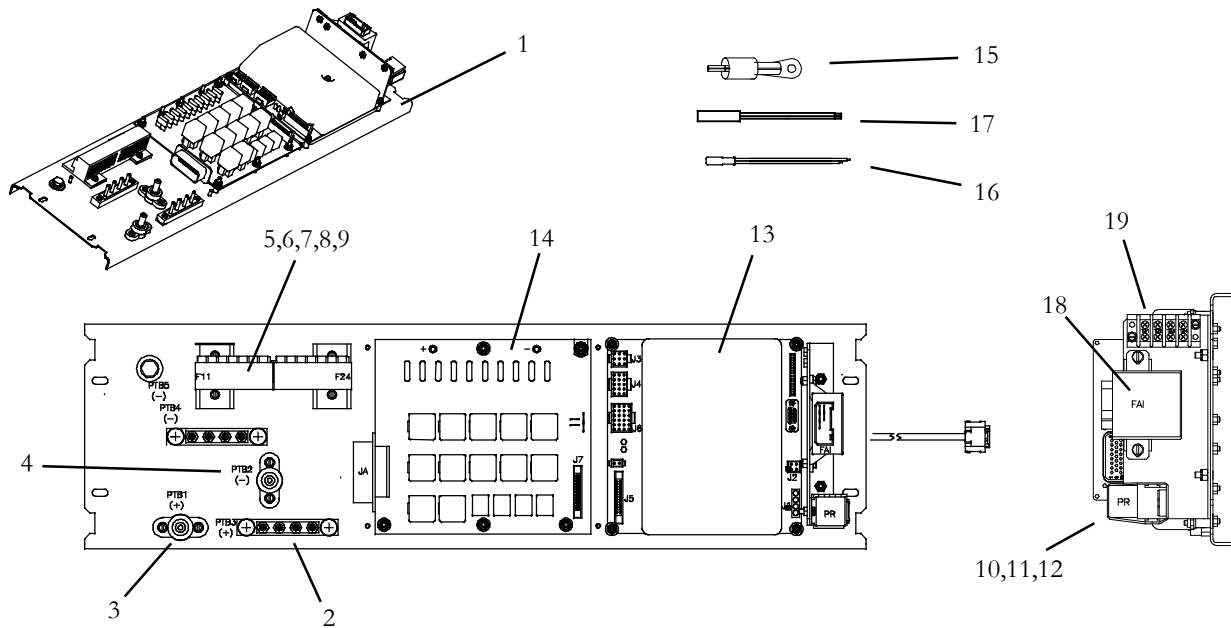


Ref. Kit 77-62229-12
Ref. Kit 77-62229-15

Item	Part Number	Description	Qty
1	NSA	Panel Assembly, Electric, AC353 G4 Brushless (Y25-00010-00 & -01) Includes:	1
2	Y35-00005-00	Buss Bar, 4 Position	2
3	22-50098-91	Stud, Terminal (RED)	1
4	22-50098-91A	Stud, Terminal (BLACK)	1
5	22-62036-00	Fuse Holder, ATC Fuse	2
6	22-62039-01	Fuse Holder, Secondary Lock	26
7	22-62040-00	Fuse Holder, Secondary Lock, Wedge	1
8	22-02336-01	Fuse, 20Amp	12
9	22-02336-04	Fuse, 10Amp	1
NS	AC201-600	In Line Diode, 6 Amp	1
10	10-00286-13	Relay, SPDT w/Diode	1
11	AC201-901	Relay Socket, Connector	1
12	AC201-931	Lock, Secondary	1
13	12-00693-04	Logic Board, MicroMax, (Used in unit 68AC353-102-3)	1
	12-00693-07	Logic Board, MicroMax, (Used in unit 68AC353-102-13)	1
14	12-00486-01	Relay Board	1
15	12-00495-02SV	Thermistor Sensor Kit, (Replacement For 12-00305-04)	1
16	35-0011	Thermistor, DAT (Yellow Leads)	1
17	35-0008	Thermistor, CWITS (Blue/White Leads)	1
18	Y35-00001-00	Inverter, Polarity	1



13.6 MicroMax Relay Board W/CAN (SEPTA): Option 6

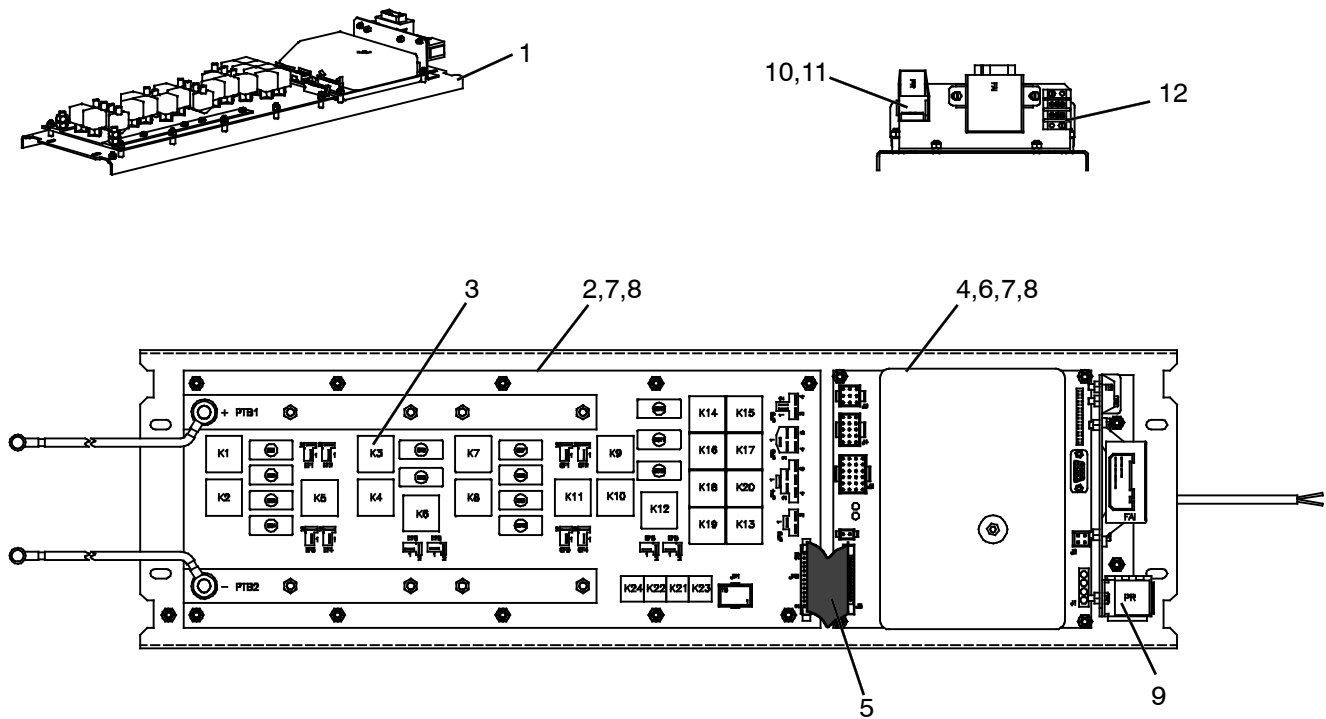


Ref. Kit 77-62229-13

Item	Part Number	Description	Qty
1	NSA	Panel Assembly, Electric, AC353 G4 Brushless (Y25-00046-00) Includes:	1
2	Y35-00005-00	Buss Bar, 4 Position	2
3	22-50098-91	Stud, Terminal (RED)	1
4	22-50098-91A	Stud, Terminal (BLACK)	1
5	22-62036-00	Fuse Holder, ATC Fuse	2
6	22-62039-01	Fuse Holder, Secondary Lock	26
7	22-62040-00	Fuse Holder, Secondary Lock, Wedge	1
8	22-02336-01	Fuse, 20Amp	12
9	22-02336-04	Fuse, 10Amp	1
NS	AC201-600	In Line Diode, 6 Amp	1
10	10-00286-13	Relay, SPDT w/Diode	1
11	AC201-901	Relay Socket, Connector	1
12	AC201-931	Lock, Secondary	1
13	12-00693-08	Logic Board, MicroMax, (Ref. Kit 77-62229-13, Panel Y25-00046-00)	1
14	12-00486-01	Relay Board	1
15	12-00495-02SV	Thermistor Sensor Kit, (Replacement For 12-00305-04)	1
16	35-0011	Thermistor, DAT (Yellow Leads)	1
17	35-0008	Thermistor, CWITS (Blue/White Leads)	1
18	Y35-00001-00	Inverter, Polarity	1
19	22-01563-00	Terminal Block, 4 Pole	1



13.7 MicroMax Relay Board w/CAN Data (Right-Drain Plates): Option 7

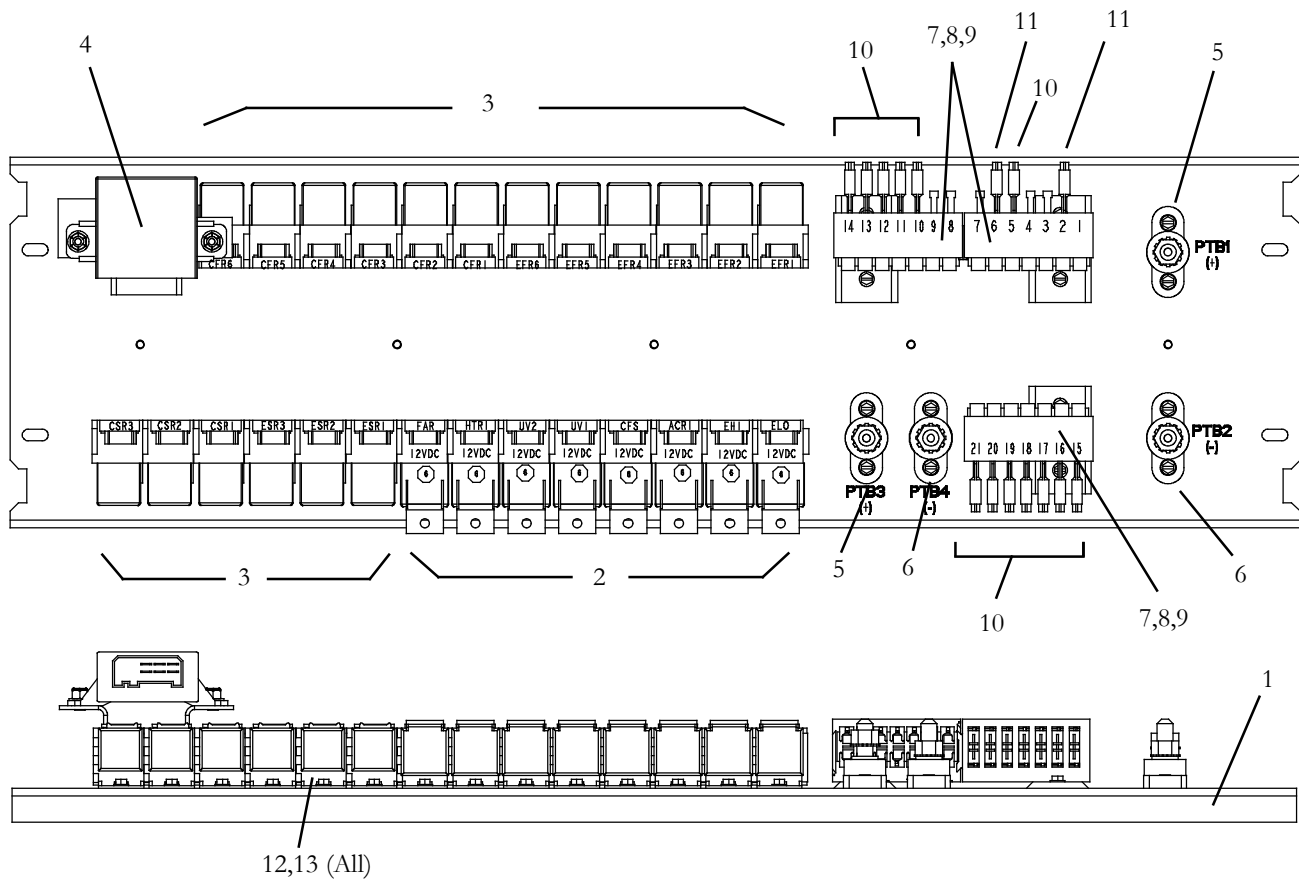


REF: 77-62229-14

Item	Part Number	Description	Qty
1	NSI	Panel Assembly, Electrical, AC353 G4, (91-62095) - Includes:	1
2	12-00393-00	Board Assembly, Relay, Includes:	1
3	10-00286-13	Relay, SPDT, 24 VDC	20
4	12-00392-15	Module, Logic Controller 24 VDC (300 PSI) - Includes:	1
5	22-50236-00	Harness, Ribbon Cable, 26 Pin (Logic Module To Relay Board)	1
6	12-00495-02SV	Thermistor Sensor Kit, (Replacement For 12-00305-04)	1
7	34-62000-00	Spacer, Nylon	14
8	58-00511-08	Washer, Nylon, 0.031" (0.8) Thick x 0.22" (5.59) ID x 0.50" (12.7) OD	14
9	10-00286-13	Relay, SPDT, 24 VDC	1
10	AC201-901	Connector, Relay	1
11	AC201-931	Lock, Connector, Relay	1
12	22-01563-04	Block, Terminal, 2 Poles #6-32 x 1/4 Inch Long	1



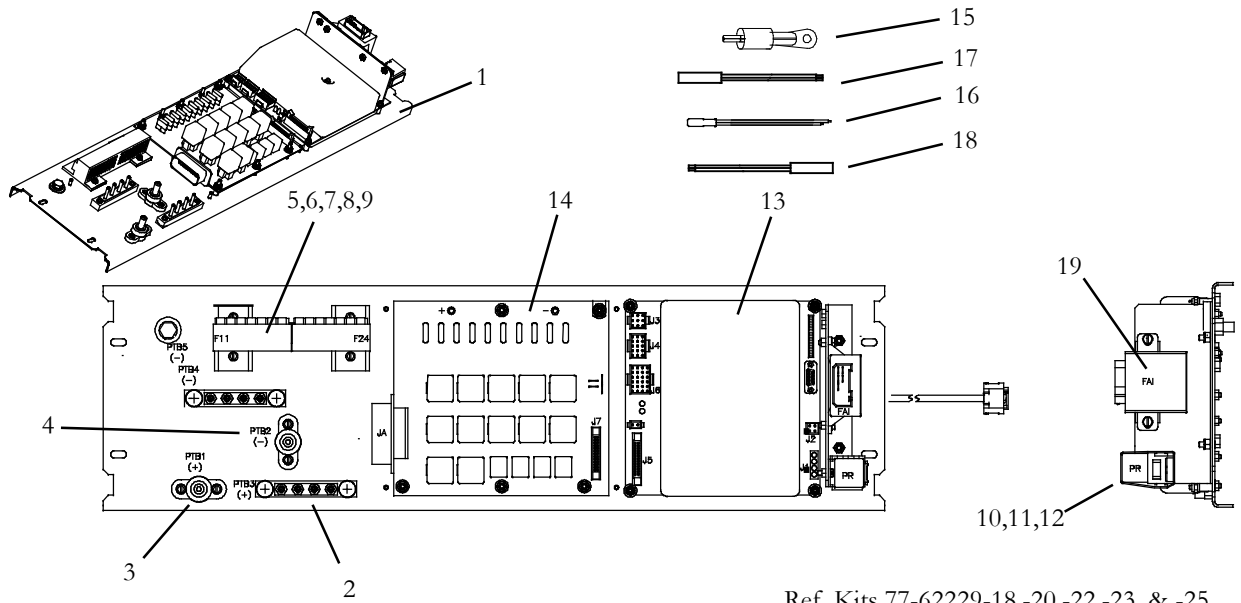
13.8 Basic Relay Panel, EnviroMATE (24 VDC): Option 8



Item	Part Number	Description	Qty
1	NSI	Panel Assembly, Electrical, AC353 G4, (Y25-00061-00) - Includes:	1
2	10-00286-14	Relay, 50A SPST, 12 VDC	8
3	Y25-00001-03	Relay, 20A SPDT, 24 VDC	18
4	Y35-00001-00	Fresh Air Polarity Inverter Relay	1
5	22-50098-91	Junction Block, 3/8" - 16 Stud, RED	2
6	22-50098-91A	Junction Block, 3/8" - 16 Stud, BLACK	2
7	22-62036-00	Fuse Holder, ATC Fuse	3
8	22-62039-01	Lock, Secondary, Fuse Holder	42
9	22-62040-00	Lock, Secondary, Wedge Fuse Holder	1
10	25-3160	Circuit Breaker, 20 Amp Fuse	13
11	25-3162	Circuit Breaker, 10 Amp Fuse	2
12	201-901	Relay Base (Socket)	26
13	201-931	Lock, Relay Base (Socket)	26



13.9 MicroMax Relay Board, Brushless, W/CAN & RRAS and FTS Sensors: Option 9

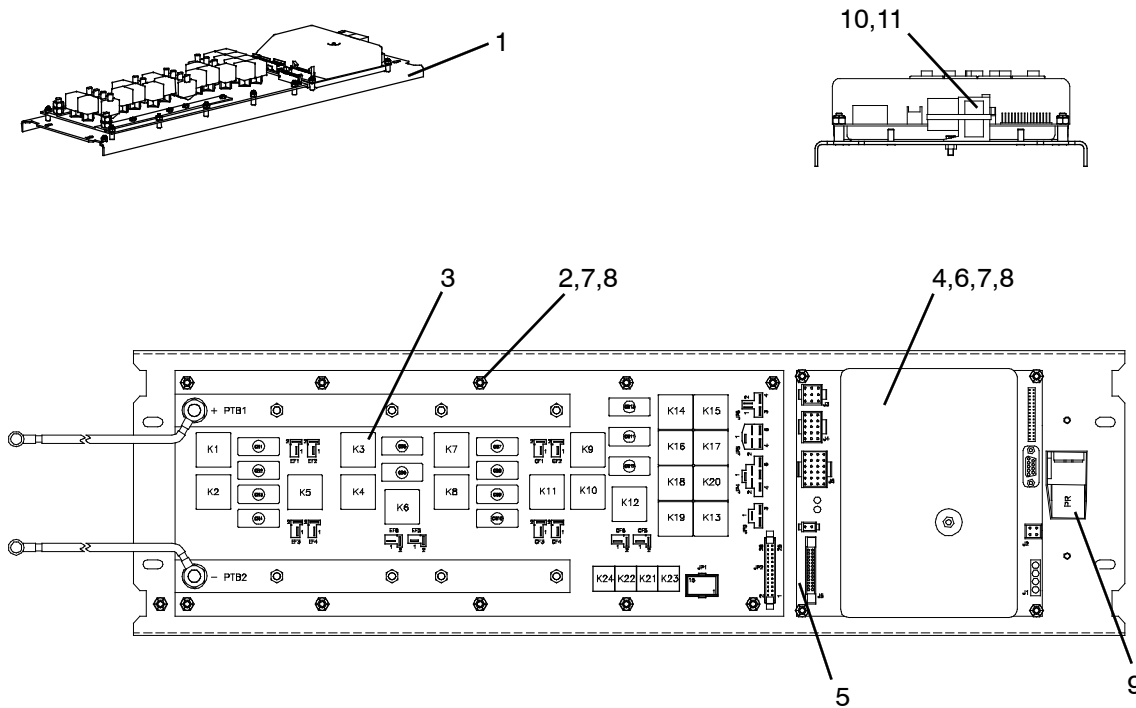


Ref. Kits 77-62229-18,-20,-22,-23, & -25

Item	Part Number	Description	Qty
1	NSA	Panel Assembly, Electric, (Y25-00066-00,02,03 & 04 and Y25-00120-00) Includes:	1
2	Y35-00005-00	Buss Bar, 4 Position	2
	Y35-00052-00	Buss Bar, 4 Position (Panel Y25-00120-00 Only)	2
3	22-50098-91	Stud, Terminal (RED)	1
4	22-50098-91A	Stud, Terminal (BLACK)	1
5	22-62036-00	Fuse Holder, ATC Fuse	2
6	22-62039-01	Fuse Holder, Secondary Lock	26
7	22-62040-00	Fuse Holder, Secondary Lock, Wedge	1
8	22-02336-01	Fuse, 20Amp	12
9	22-02336-04	Fuse, 10Amp	A/R
NS	AC201-600	In Line Diode, 6 Amp	1
10	10-00286-13	Relay, SPDT w/Diode	1
11	201-901	Relay Socket, Connector	1
12	201-931	Lock, Secondary	1
13	Y35-00012-03	Logic Board, MicroMax, (Used in units 68AC353-102-16 & 17)	1
	Y35-00012-02	Logic Board, MicroMax, (Used in unit 68AC353-102-18)	1
	Y35-00012-00	Logic Board, MicroMax, (Used in unit 68AC353-102-19)	1
	Y35-00049-01	Logic Board, MicroMax, (Used in unit 68AC353-102-20)	1
	Y35-00051-00	Logic Board, MicroMax, (Used in unit 68AC353-102-21)	1
14	12-00486-01	Relay Board	1
15	12-00495-02SV	Thermistor Sensor Kit, (Replacement For 12-00305-04)	1
16	35-0011	Thermistor, DAT (Yellow Leads)	1
17	35-0008	Thermistor, CWITS (Blue/White Leads)	1
18	Y35-00014-00	Thermistor, FST (Freeze Sensor) (Red Leads)	1
19	Y35-00001-00	Inverter, Polarity	1



13.10 GR60 Relay Board - Option 10 (Used on 68AC353-102-5 after April 2015)

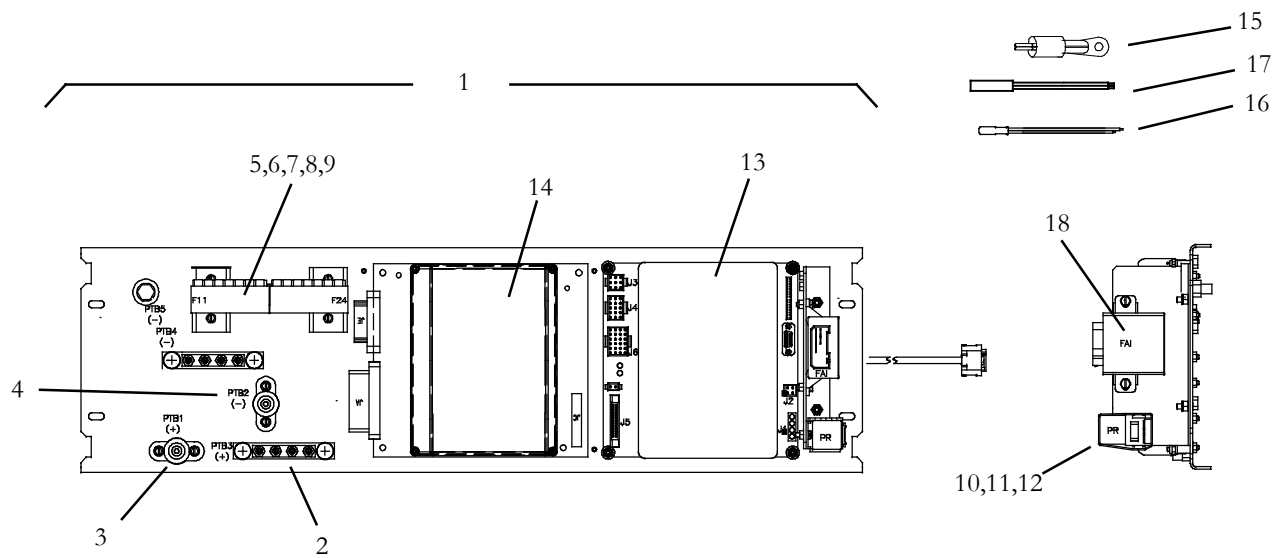


Ref. Kits 77-62229-21

Item	Part Number	Description	Qty
1	NSA	Panel Assembly, Electrical, AC353 G4 (91-62094-00) - Includes:	1
2	12-00393-00	Board Assembly, Relay, Includes:	1
3	10-00286-13	Relay, SPDT, 24 VDC	20
4	12-00392-18	Module, Logic Controller 24 VDC (300 PSI) - Includes:	1
5	22-50236-00	Harness, Ribbon Cable, 26 Pin (Logic Module To Relay Board)	1
6	12-00495-02SV	Thermistor Sensor Kit, (Replacement For 12-00305-04)	1
7	34-62000-00	Spacer, Nylon	14
8	58-00511-08	Washer, Flat, Nylon, 0.031 Thick x 0.22 ID x 0.50 OD	14
9	10-00286-13	Relay, SPDT, 24 VDC	1
10	AC201-901	Connector, Relay	1
11	AC201-931	Lock, Connector, Relay	1



13.11 MicroMax Relay Board, Brushless, W/CAN & RRAS and FTS Sensors: Option 11

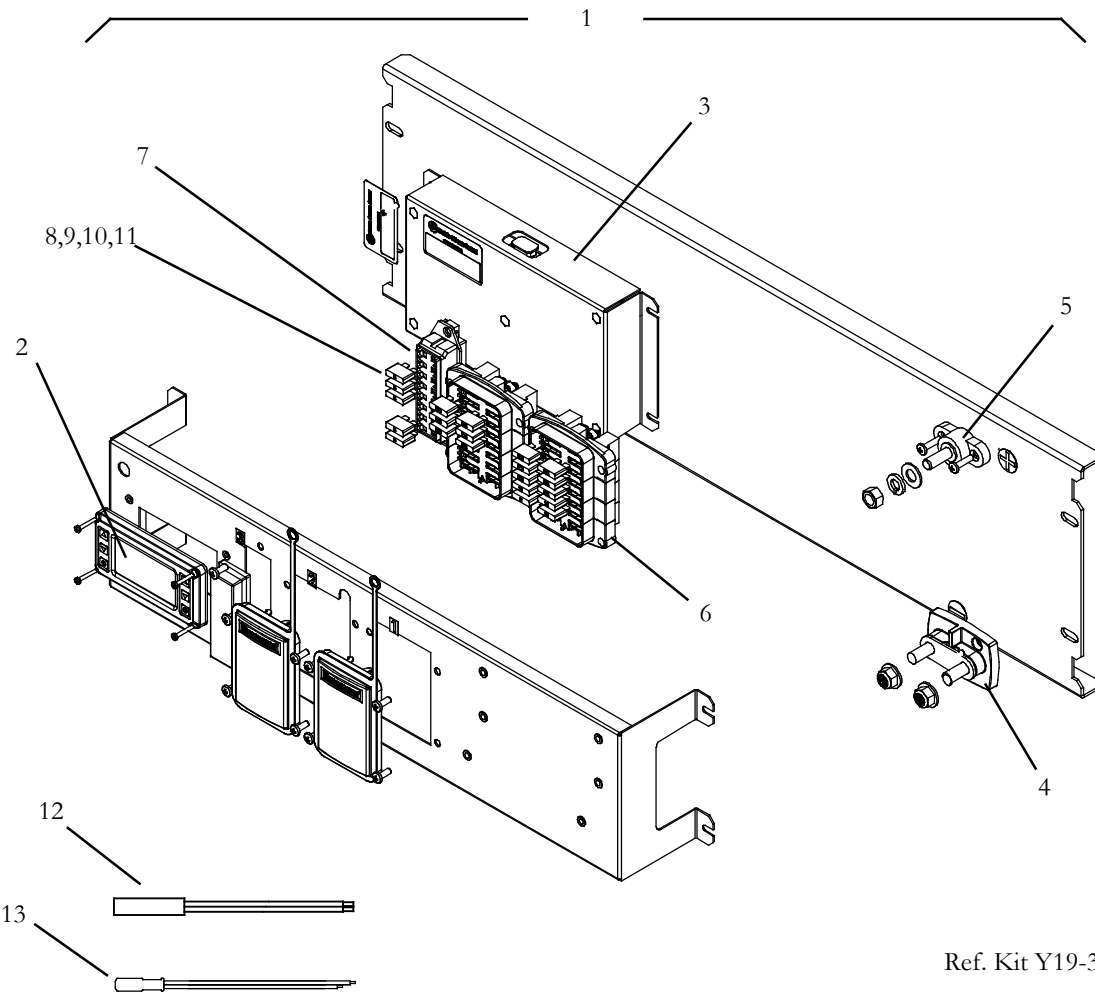


Ref. Kits 77-62229-24

Item	Part Number	Description	Qty
1	NSA	Panel Assembly, Electric, (Y25-00125-00) Includes:	1
2	Y35-00052-00	Buss Bar, 4 Position	2
3	22-50098-91	Stud, Terminal (RED)	1
4	22-50098-91A	Stud, Terminal (BLACK)	1
5	22-62036-00	Fuse Holder, ATC Fuse	2
6	22-62039-01	Fuse Holder, Secondary Lock	26
7	22-62040-00	Fuse Holder, Secondary Lock, Wedge	1
8	22-02336-01	Fuse, 20Amp	12
9	22-02336-04	Fuse, 10Amp	A/R
NS	AC201-600	In Line Diode, 6 Amp	1
10	10-00286-13	Relay, SPDT w/Diode	1
11	201-901	Relay Socket, Connector	1
12	201-931	Lock, Secondary	1
13	Y35-00049-00	Logic Board, MicroMax	1
14	Y35-00048-00	Relay Board	1
15	12-00495-02SV	Thermistor Sensor Kit, (Replacement For 12-00305-04)	1
16	35-0011	Thermistor, DAT (Yellow Leads)	1
17	35-0008	Thermistor, CWITS (Blue/White Leads)	1
18	Y35-00001-00	Inverter, Polarity	1



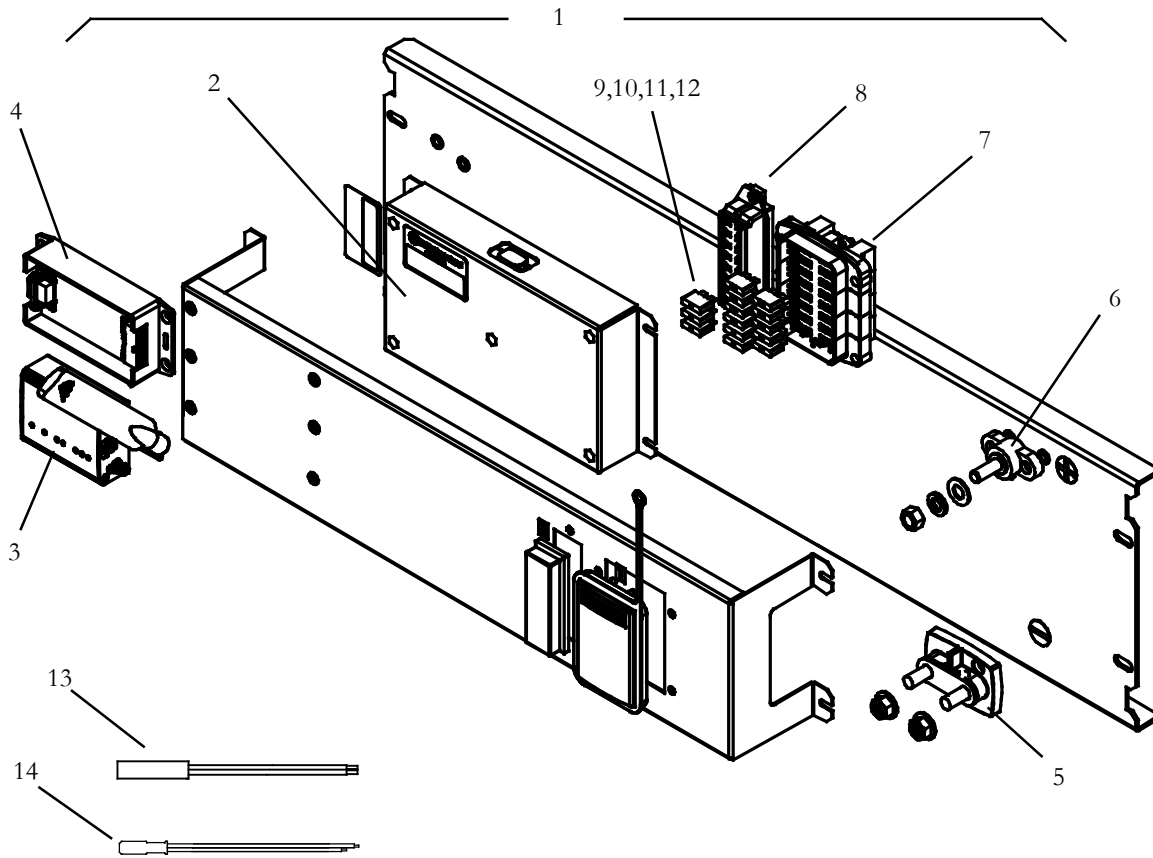
13.12 EcoTemp Control Panel - Option 12 & 16 (Used on 68AC353-102-22 & Y50-35305-02)



Item	Part Number	Description	Qty
1	NSA	Panel Assembly, Electrical, (T25-3748) - Includes:	1
2	T35-1346	EcoTemp Display Module, AC353 (Option 12 Only)	1
3	T35-1345	EcoTemp Controller Module, AC353, (Option 12 Only)	1
	T35-1617	EcoTemp Controller Module, AC353, (Option 16 Only)	1
4	T25-3831	Bussbar, 600A, 3/8" Stud	1
5	25-2420	3/8" Stud	1
6	31-1902	Fuse Panel, 16 Way, Bussman	2
7	31-1921	Fuse Panel, 8 Way	1
8	25-0686	Fuse, 20A	12
9	25-0684	Fuse, 10A	3
10	25-0610	Fuse, 2A	1
11	25-0569	Fuse, 5A	5
12	35-0008	Thermistor, De-Ice Sensor	1
13	35-0176	Thermistor, Return Air and After Coil	2



13.13 EcoTemp Control Panel - Option 13 & 17 (Used on 68AC353-102-23)

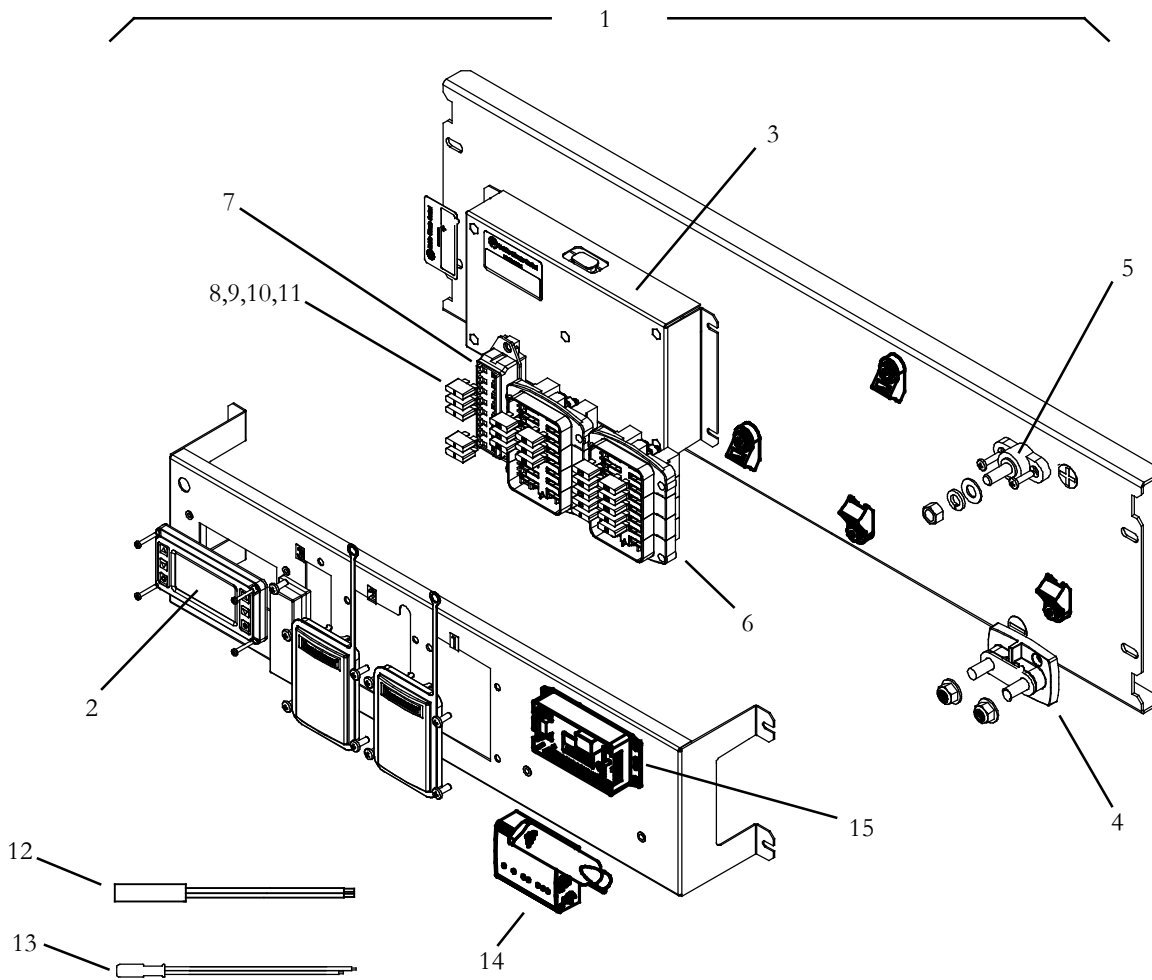


Ref. Kit Y19-35332-01 & -05

Item	Part Number	Description	Qty
1	NSA	Panel Assembly, Electrical, (T25-3750) - Includes:	1
2	T35-1345	EcoTemp Controller Module, AC353, (Option 13 Only)	1
	T35-1617	EcoTemp Controller Module, AC353, (Option 17 Only)	1
3	T35-1349	HSPA Modem	1
4	T35-1215	Interface Module, (Option 13 Only)	1
	T35-1610	Interface Module, (Option 17 Only)	1
5	T25-3831	Bussbar, 600A, 3/8" Stud	1
6	25-2420	3/8" Stud	1
7	31-1902	Fuse Panel, 16 Way, Bussman	1
8	31-1921	Fuse Panel, 8 Way	1
9	25-0686	Fuse, 20A	6
10	25-0684	Fuse, 10A	3
11	25-0610	Fuse, 2A	3
12	25-0569	Fuse, 5A	2
13	35-0008	Thermistor, De-Ice Sensor	1
14	35-0176	Thermistor, Return Air and After Coil	2



13.14 EcoTemp Control Panel - Option 14 & 15 (Used on 68AC353-102-24 & Y50-35305-00)

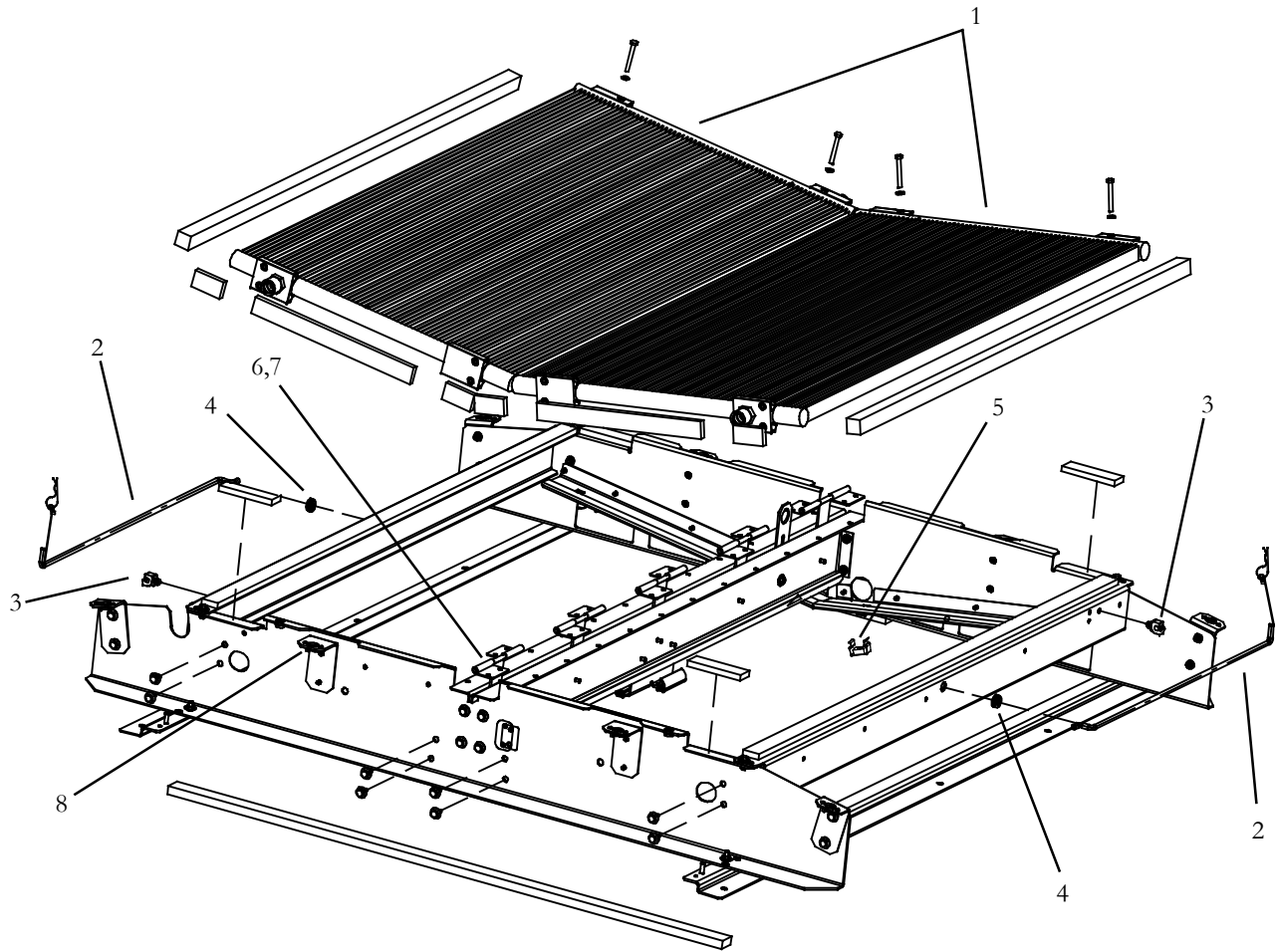


Ref. Kits Y19-35332-02 & -03

Item	Part Number	Description	Qty
1	NSA	Panel Assembly, Electrical, Includes:	1
2	T35-1537	EcoTemp Display Module, AC353 (Option 14 Only)	1
3	T35-1535	EcoTemp Controller Module, AC353 (Option 14 Only)	1
	T35-1540	EcoTemp Controller Module, AC353 (Option 15 Only)	1
4	T25-3831	Bussbar, 600A, 3/8" Stud	1
5	25-2420	3/8" Stud	1
6	31-1902	Fuse Panel, 16 Way, Bussman	2
7	31-1921	Fuse Panel, 8 Way	1
8	25-0686	Fuse, 20A	12
9	25-0684	Fuse, 10A	3
10	25-0610	Fuse, 2A	2
11	25-0569	Fuse, 5A	5
12	35-0008	Thermistor, De-Ice Sensor	1
13	35-0176	Thermistor, Return Air and After Coil	2
14	T35-1349	HSPA Modem	1
15	T35-1215	Interface Module	1



14 CONDENSER KIT - SINGLE CIRCUIT (ALL MODELS)



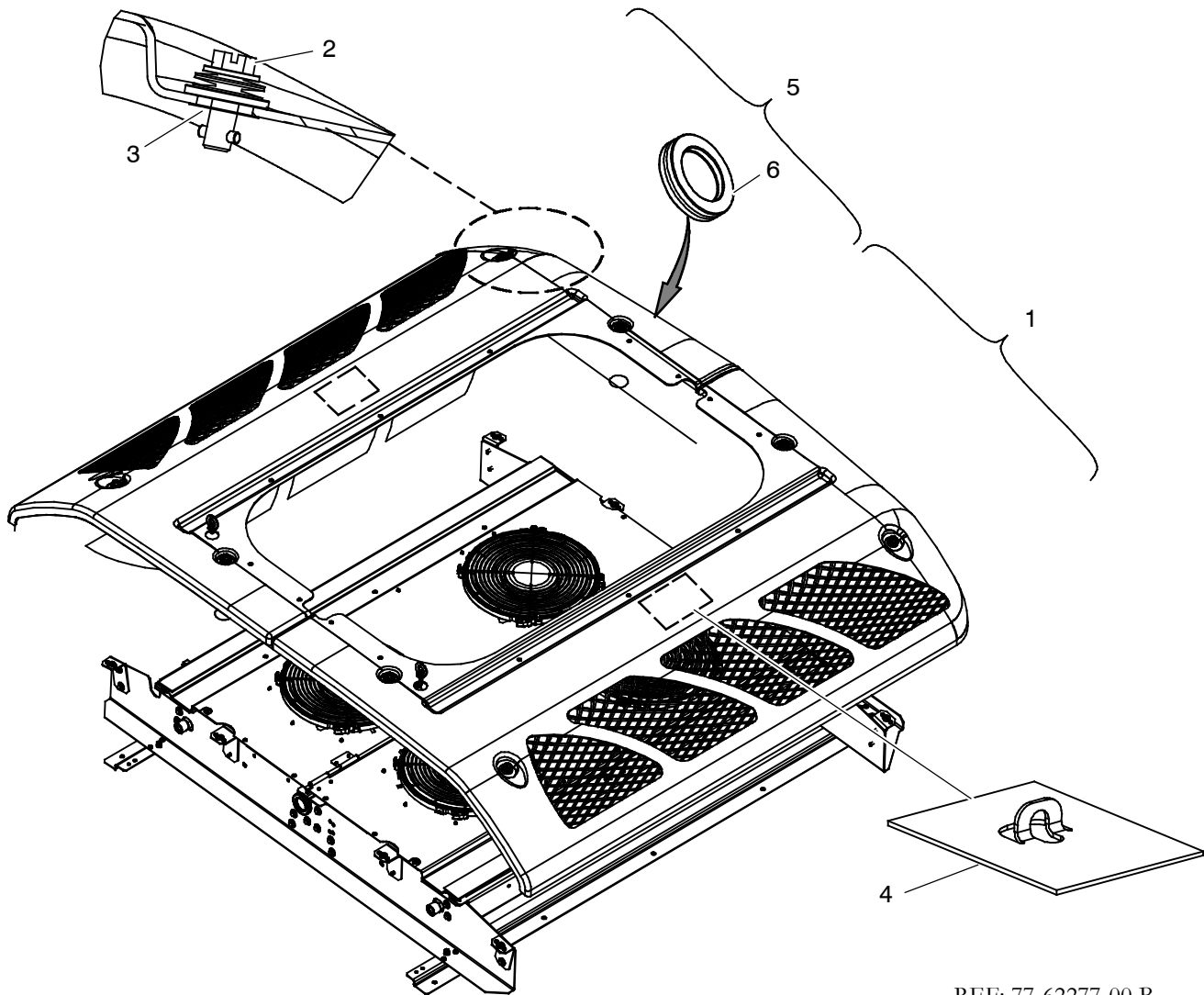
REF: 77-62266-00 D
REF: 77-62266-03 D
REF: Y19-35337-00

Item	Part Number	Description	Qty
-	NSI	Housing Assembly, Condenser - Includes:	1
1	08-67026-02	Condenser Coil, MCHX	2
2	Y24-00057-00	Prop Rod	2
3	44-67014-00	Clip	2
4	58-60302-01	Grommet	2
5	34-60098-66	Ecrou Cage	4
6	Y24-00338-00	Hinge, Double Pin	4
7	86-67150-00	Hinge, Cover	5
8	34-62016-00	Locking Plate	8



15 CONDENSER COVER KITS

15.1 Condenser Cover Kit - Option 1- Standard R10M, RAL 9010, White (Skins)

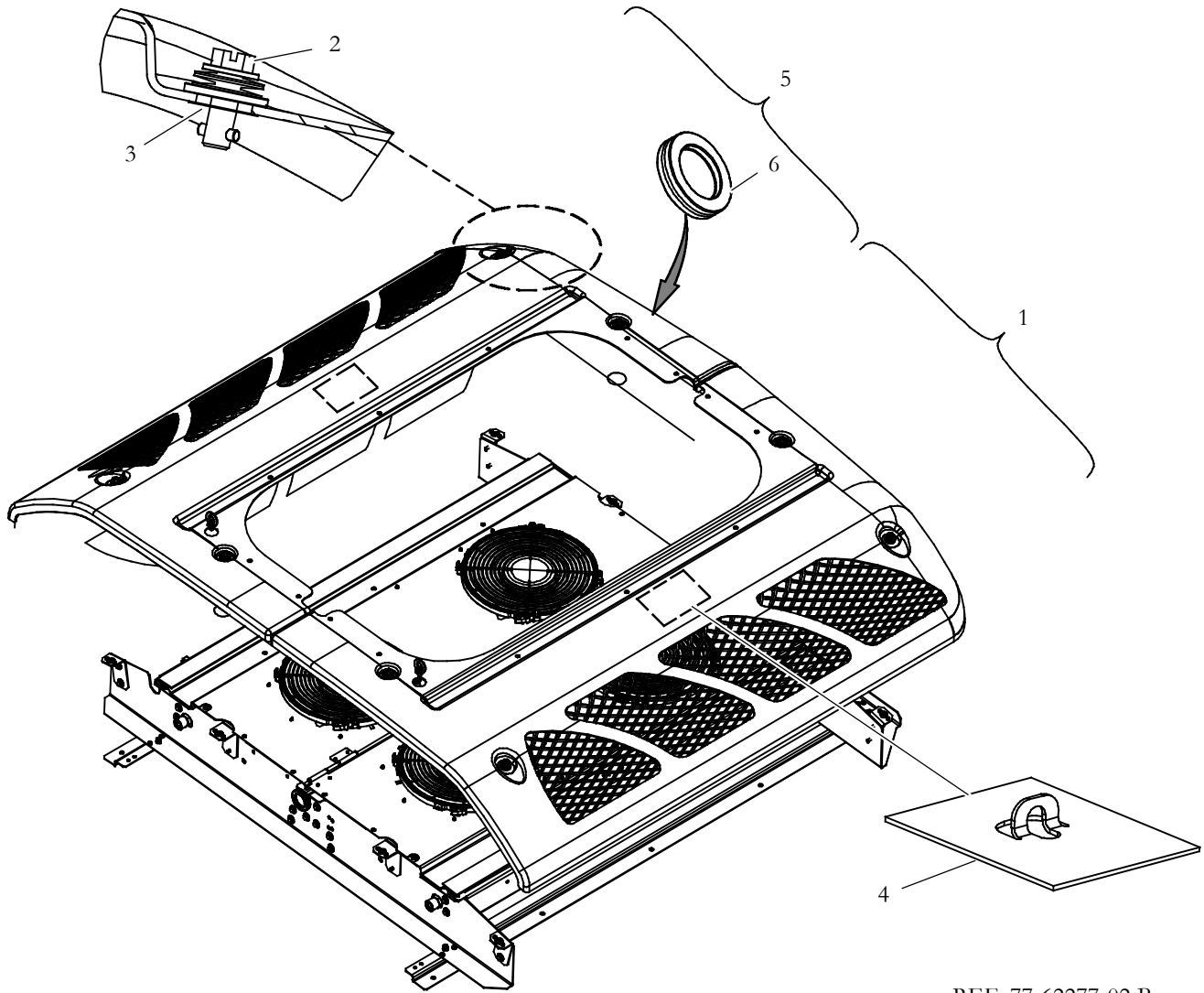


REF: 77-62277-00 B

Item	Part Number	Description	Qty
1	79-62153-00	Cover Assembly, Condenser, Right, R10M , White- Includes:	1
2	34-62015-00	Stud, Captive, 1/4 Turn, With Disc and Flat Washers	4
3	34-67025-00	Washer, Retaining, Steel	4
4	68-67165-00	Bracket, Rod, Cover Support	1
5	79-62153-01	Cover Assembly, Condenser, Left, R10M, White - Includes:	1
2	34-62015-00	Stud, Captive, 1/4 Turn, With Disc and Flat Washers	4
3	34-67025-00	Washer, Retaining, Steel	4
4	68-67165-00	Bracket, Rod, Cover Support	1
6	58-60302-05	Grommet, .083" (21.08) ID X 1.1" (27.94) OD X 0.08" (2.03) THK Panel	2



15.2 Condenser Cover Kit - Option 2- Standard R10M, Valspar White (Skins)

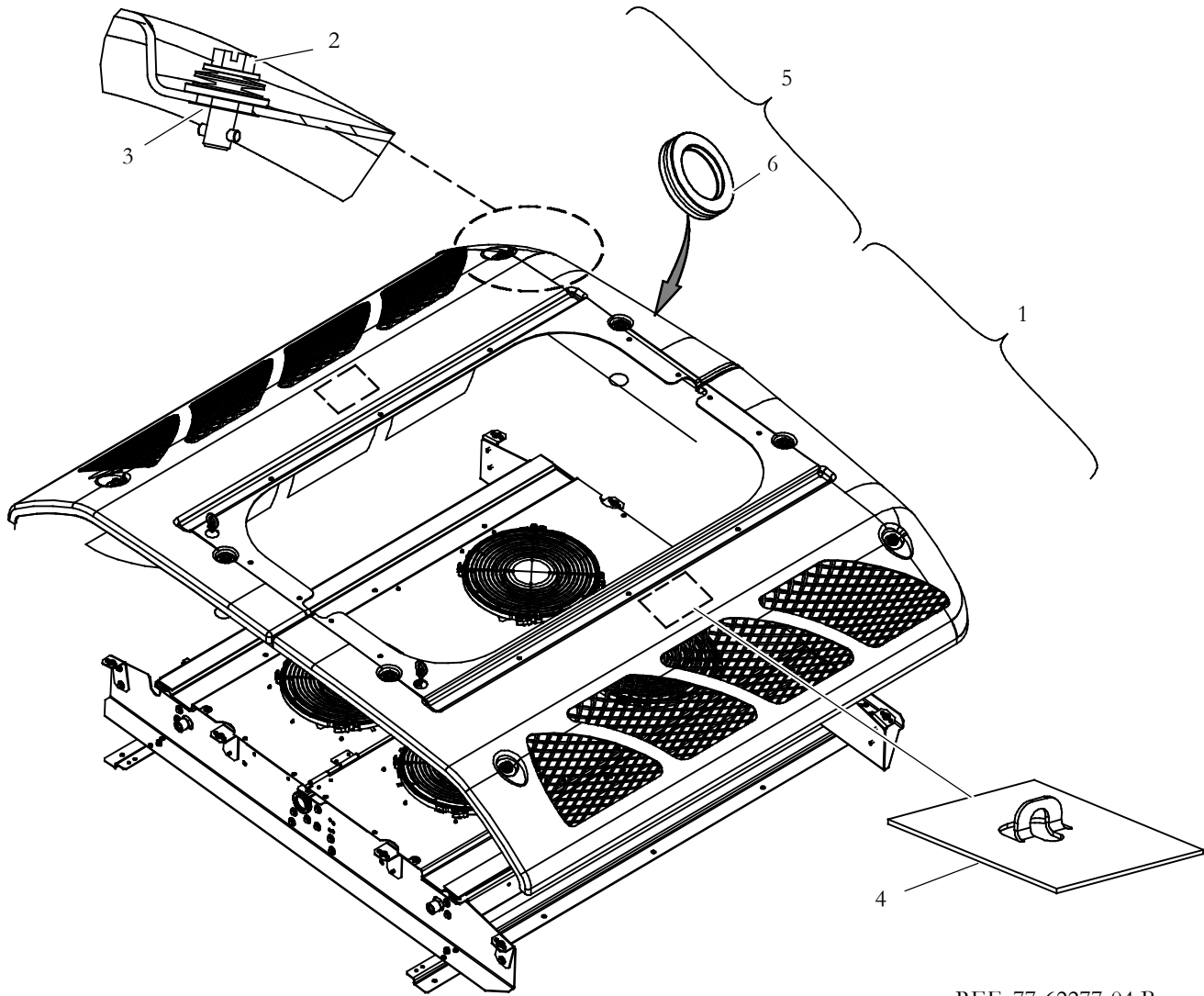


REF: 77-62277-02 B

Item	Part Number	Description	Qty
1	79-62153-04	Cover Assembly, Condenser, Right, R10M , Valspar White- Includes:	1
2	34-62015-00	Stud, Captive, 1/4 Turn, With Disc and Flat Washers	4
3	34-67025-00	Washer, Retaining, Steel	4
4	68-67165-00	Bracket, Rod, Cover Support	1
5	79-62153-05	Cover Assembly, Condenser, Left, R10M, Valspar White - Includes:	1
2	34-62015-00	Stud, Captive, 1/4 Turn, With Disc and Flat Washers	4
3	34-67025-00	Washer, Retaining, Steel	4
4	68-67165-00	Bracket, Rod, Cover Support	1
6	58-60302-05	Grommet, .083" (21.08) ID X 1.1" (27.94) OD X 0.08" (2.03) THK Panel	2



15.3 Condenser Cover Kit - Option 3- Standard R10M, Valspar Frost White (Skins)

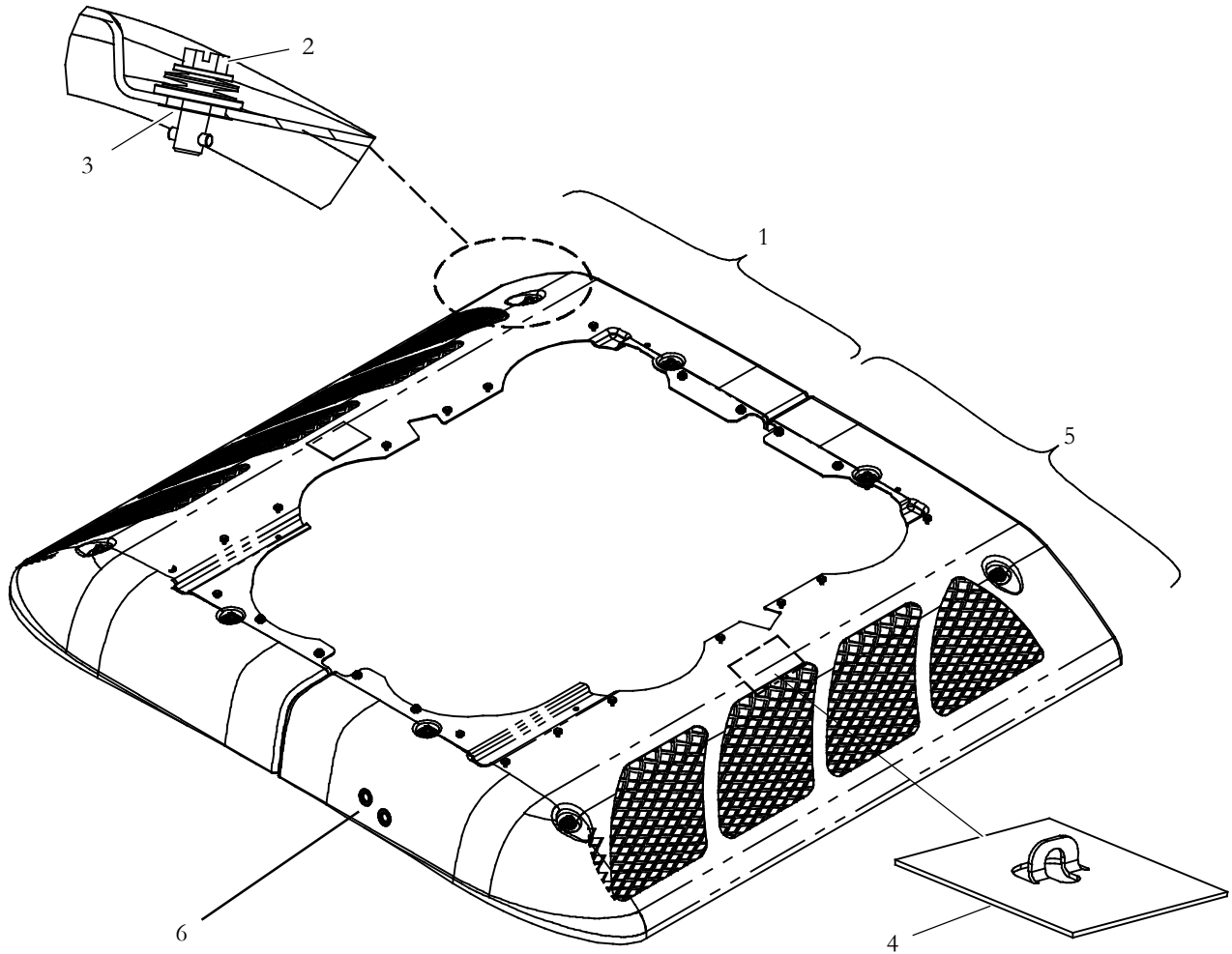


REF: 77-62277-04 B

Item	Part Number	Description	Qty
1	79-62153-08	Cover Assembly, Condenser, Right, R10M, Valspar Frost White - Includes:	1
2	34-62015-00	Stud, Captive, 1/4 Turn, With Disc and Flat Washers	4
3	34-67025-00	Washer, Retaining, Steel	4
4	68-67165-00	Bracket, Rod, Cover Support	1
5	79-62153-09	Cover Assembly, Condenser, Left, R10M, Valspar Frost White - Includes:	1
2	34-62015-00	Stud, Captive, 1/4 Turn, With Disc and Flat Washers	4
3	34-67025-00	Washer, Retaining, Steel	4
4	68-67165-00	Bracket, Rod, Cover Support	1
6	58-60302-05	Grommet, .083" (21.08) ID X 1.1" (27.94) OD X 0.08" (2.03) THK Panel	2



15.4 Condenser Cover Kit - Option 4- Standard R10M, 8 Fan, Valspar White (Skins)



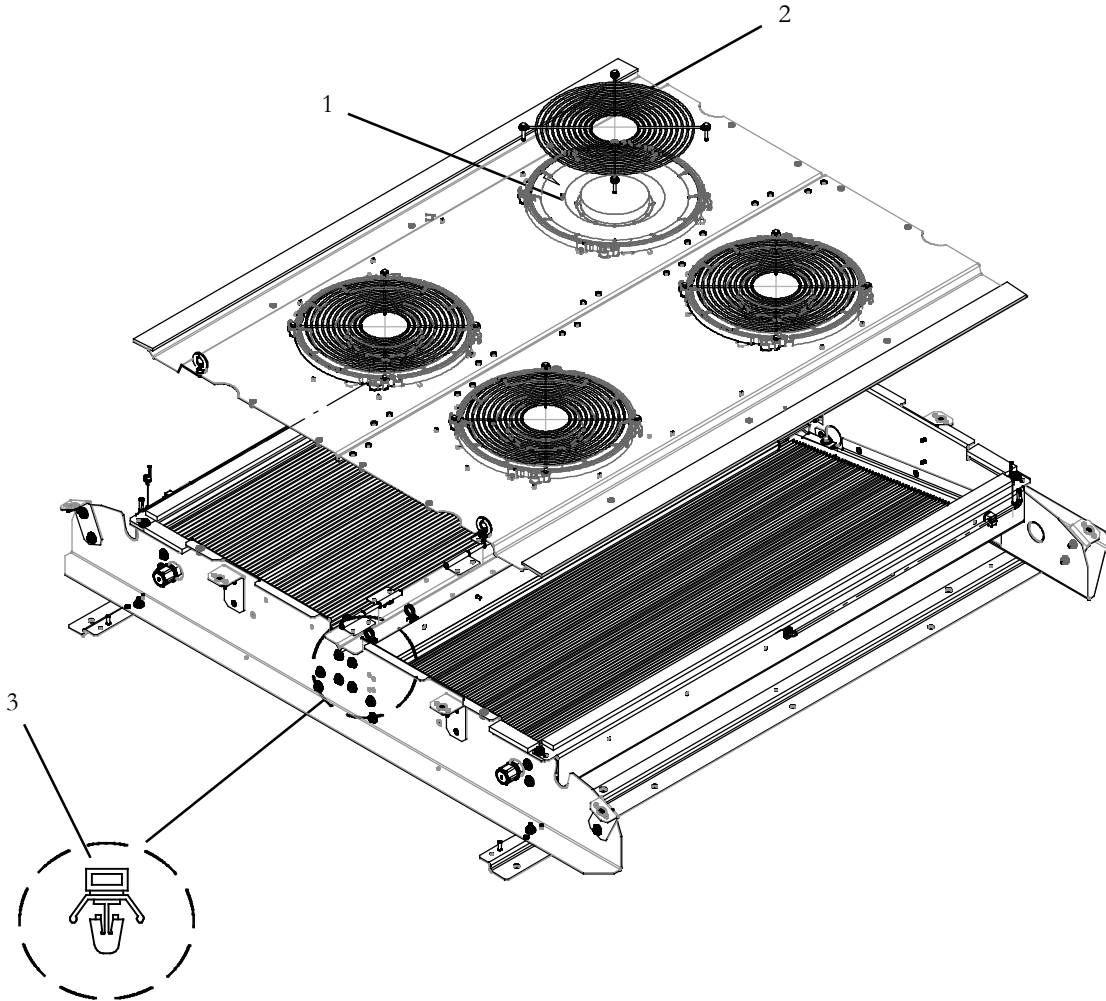
REF: Y19-35333-00

Item	Part Number	Description	Qty
1	Y28-00068-00	Cover Assembly, Condenser, Right, R10M, Valspar White - Includes:	1
2	34-62015-00	Stud, Captive, 1/4 Turn, With Disc and Flat Washers	4
3	34-67025-00	Washer, Retaining, Steel	4
4	68-67165-00	Bracket, Rod, Cover Support	1
5	Y28-00068-01	Cover Assembly, Condenser, Left, R10M, Valspar White - Includes:	1
2	34-62015-00	Stud, Captive, 1/4 Turn, With Disc and Flat Washers	4
3	34-67025-00	Washer, Retaining, Steel	4
4	68-67165-00	Bracket, Rod, Cover Support	1
6	58-60302-05	Grommet, .083" (21.08) ID X 1.1" (27.94) OD X 0.08" (2.03) THK Panel	2



16 CONDENSER FAN KITS

16.1 Condenser Fan Kit -4 Brushless Motors: Option 1

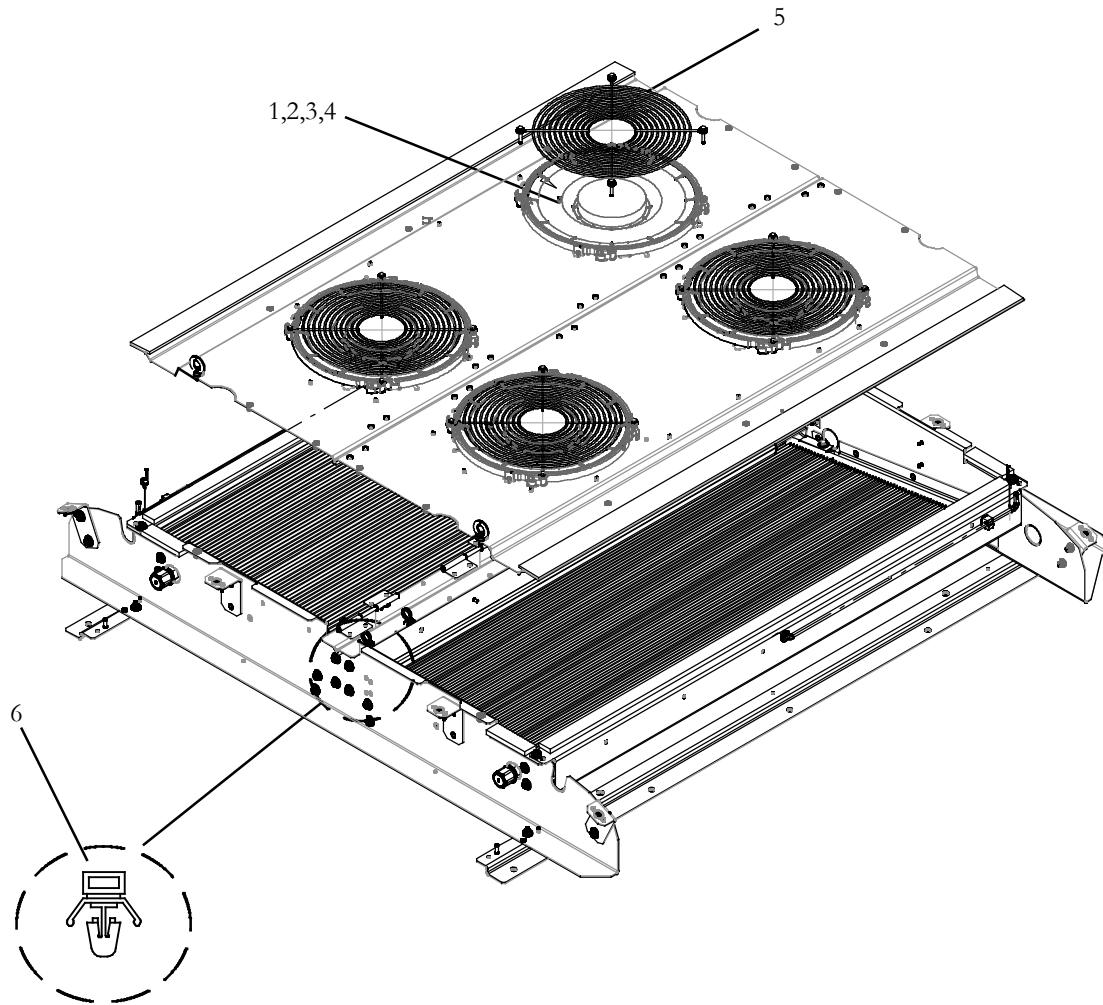


REF: 77-62258-02

Item	Part Number	Description	Qty
-	NSI	Fan Deck Assembly, Includes:	1
1	54-00634-00	Fan and Motor Assembly, Condenser, 24VDC Brushless Motors	4
2	73-67002-00	Grille, Condenser Fan	4
3	58-04315-00	Base Mounting, 0.25" (6.35) DIA MTG Hole	A/R



16.2 Condenser Fan Kit -4 Permanent Magnet Motors: Option 2

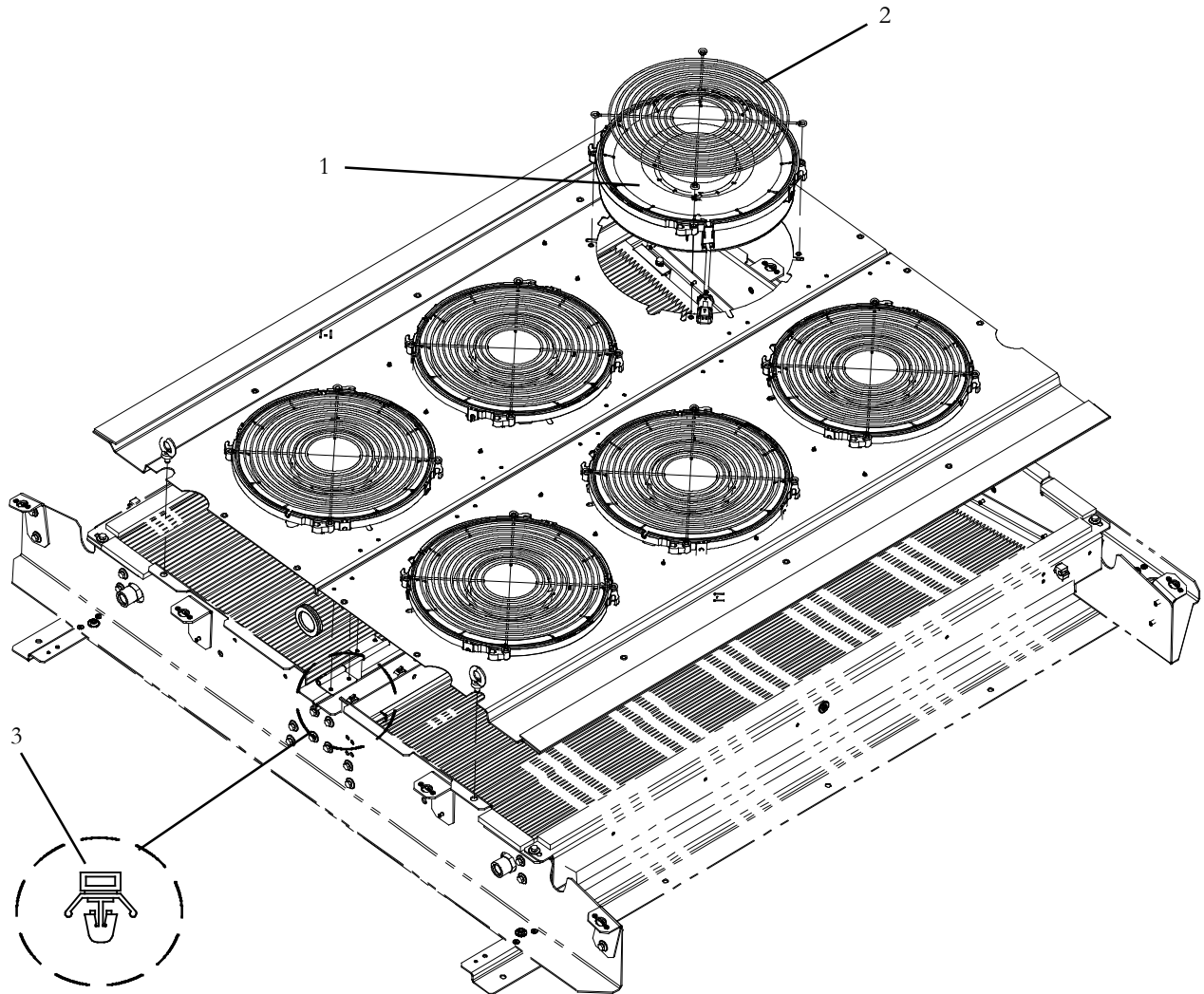


REF: 77-62258-04

Item	Part Number	Description	Qty
-	NSI	Fan Deck Assembly, Includes:	1
1	54-00622-00	Fan and Motor Assembly, Condenser, 24VDC Permanent Magnet Motors (Includes):	4
2	22-02392-00	2 Way Connector, Male	1
3	22-02393-00	Terminals, Male 14-16 AWG	2
4	22-02394-02	Cable Seals	2
5	73-67002-00	Grille, Condenser Fan	4
6	58-04315-00	Base Mounting, 0.25" (6.35) DIA MTG Hole	A/R



16.3 Condenser Fan Kit - 6 Brushless Motors: Option 3

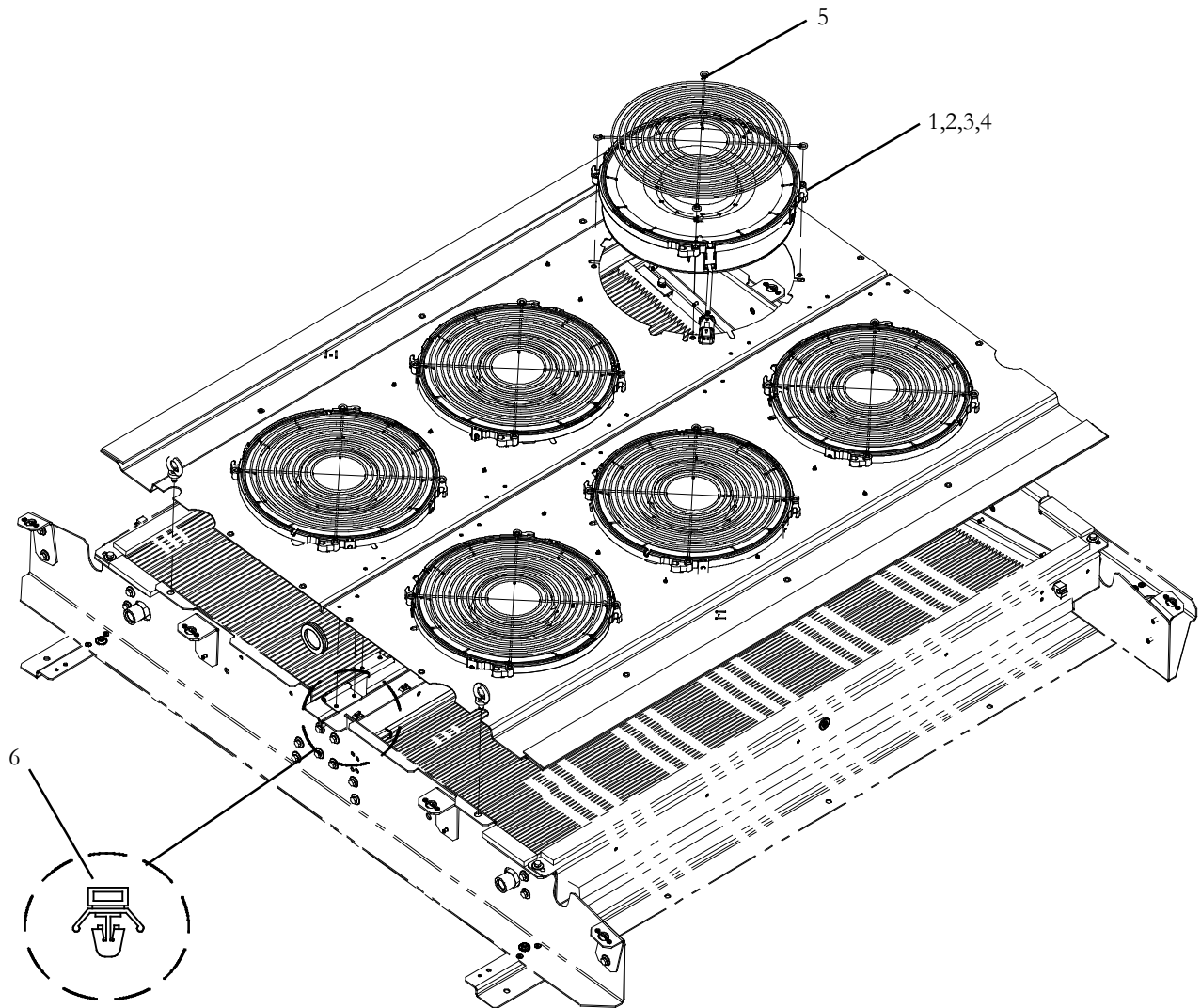


REF: 77-62258-05

Item	Part Number	Description	Qty
-	NSI	Fan Deck Assembly, Includes:	1
1	54-00634-00	Fan and Motor Assembly, Condenser, 24VDC Brushless Motors	6
2	73-67002-00	Grille, Condenser Fan	6
3	58-04315-00	Base Mounting, 0.25" (6.35) DIA MTG Hole	A/R



16.4 Condenser Fan Kit - 6 Permanent Magnet Motors: Option 4

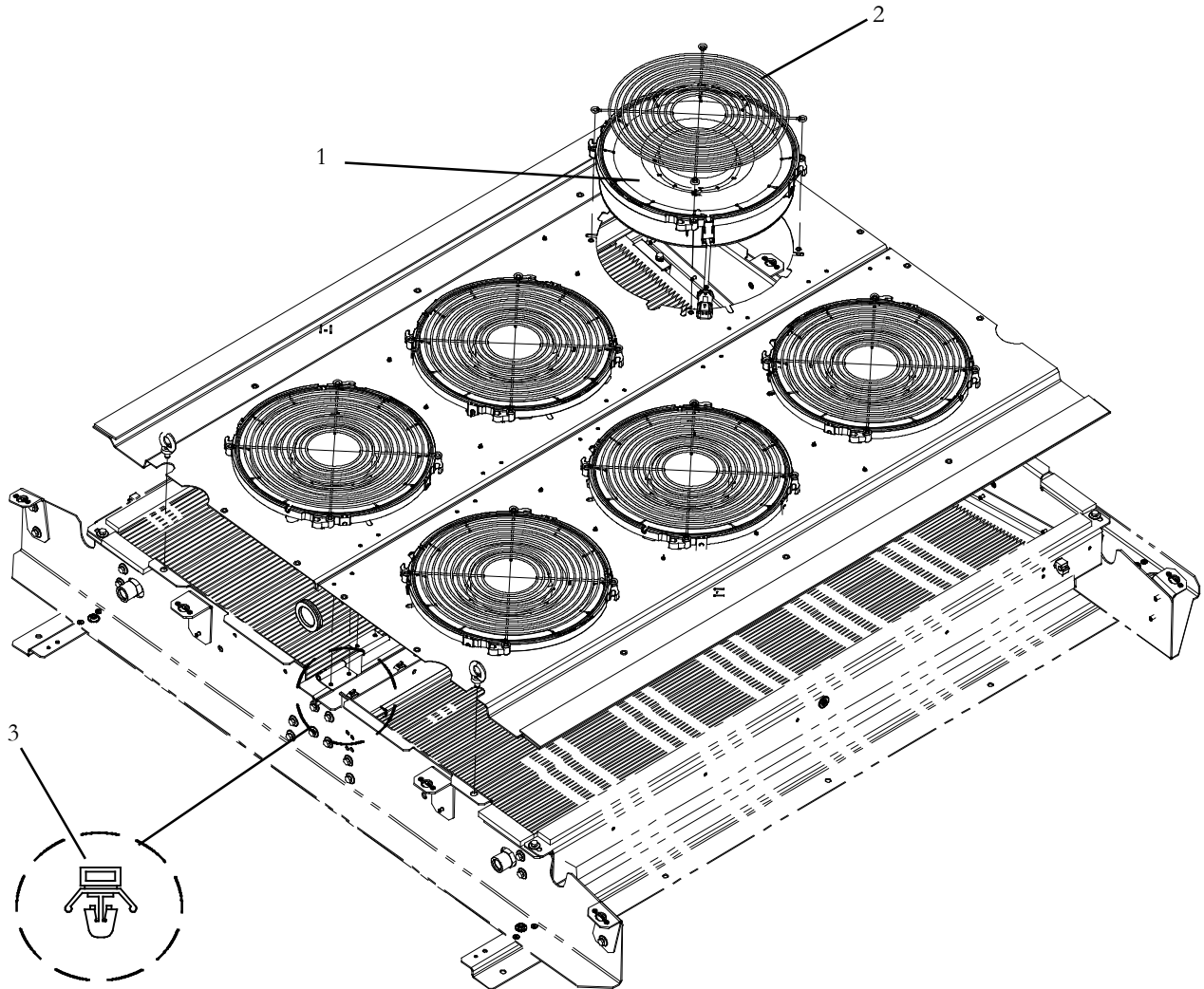


REF: 77-62258-07

Item	Part Number	Description	Qty
-	NSI	Fan Deck Assembly, Includes:	1
1	54-00622-00	Fan and Motor Assembly, Condenser, 24VDC PM Motors (Includes):	6
2	22-02392-00	2 Way Connector, Male	1
3	22-02393-00	Terminals, Male 14-16 AWG	2
4	22-02394-02	Cable Seals	2
5	73-67002-00	Grille, Condenser Fan	6
6	58-04315-00	Base Mounting, 0.25" (6.35) DIA MTG Hole	A/R



16.5 Condenser Fan Kit - 6 Brushless Motors (EBM): Option 5

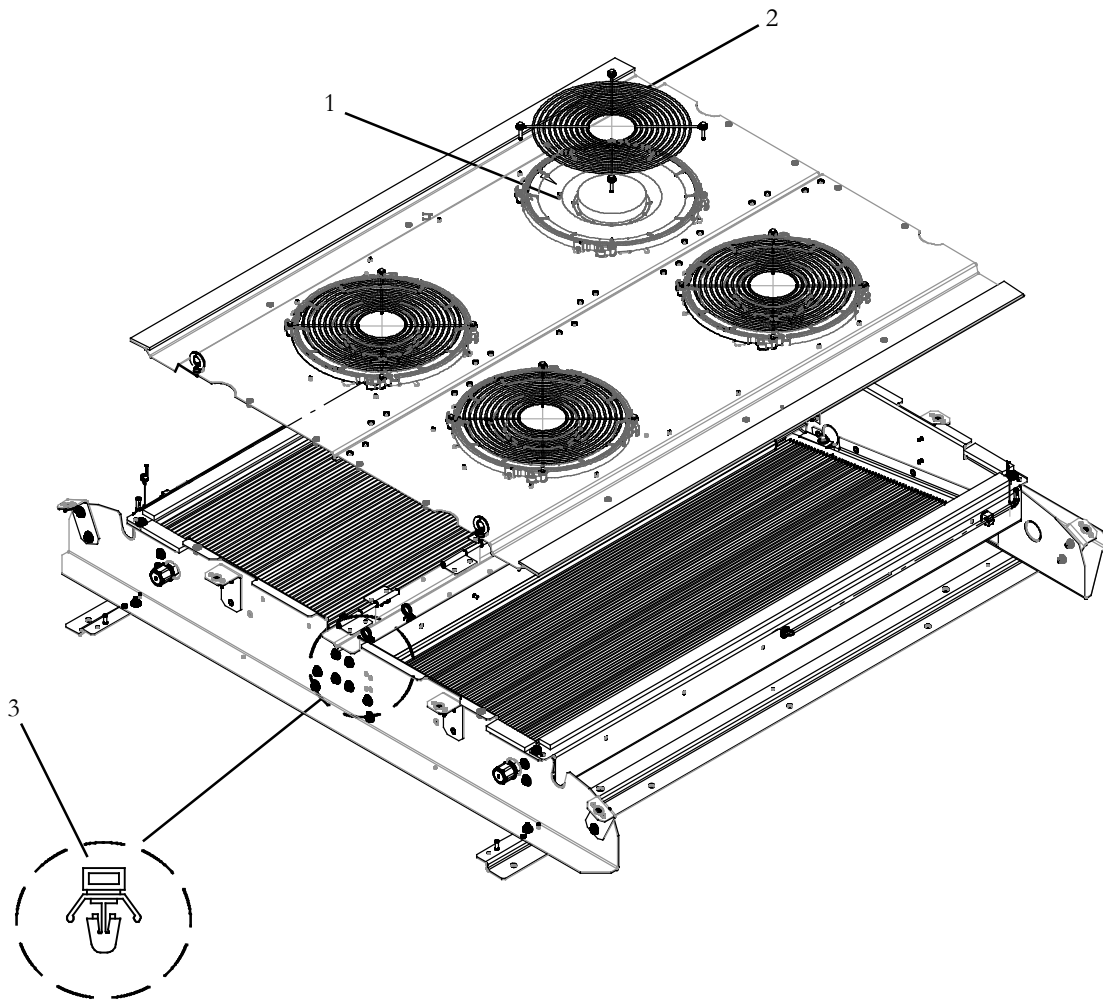


REF: 77-62258-10

Item	Part Number	Description	Qty
-	NSI	Fan Deck Assembly, Includes:	1
1	Y45-00007-00	Fan and Motor Assembly, Condenser, 24VDC EBM Brushless Motors	6
2	73-67002-00	Grille, Condenser Fan	6
3	58-04315-00	Base Mounting, 0.25" (6.35) DIA MTG Hole	A/R



16.6 Condenser Fan Kit -4 Brushless Motors (EBM): Option 6



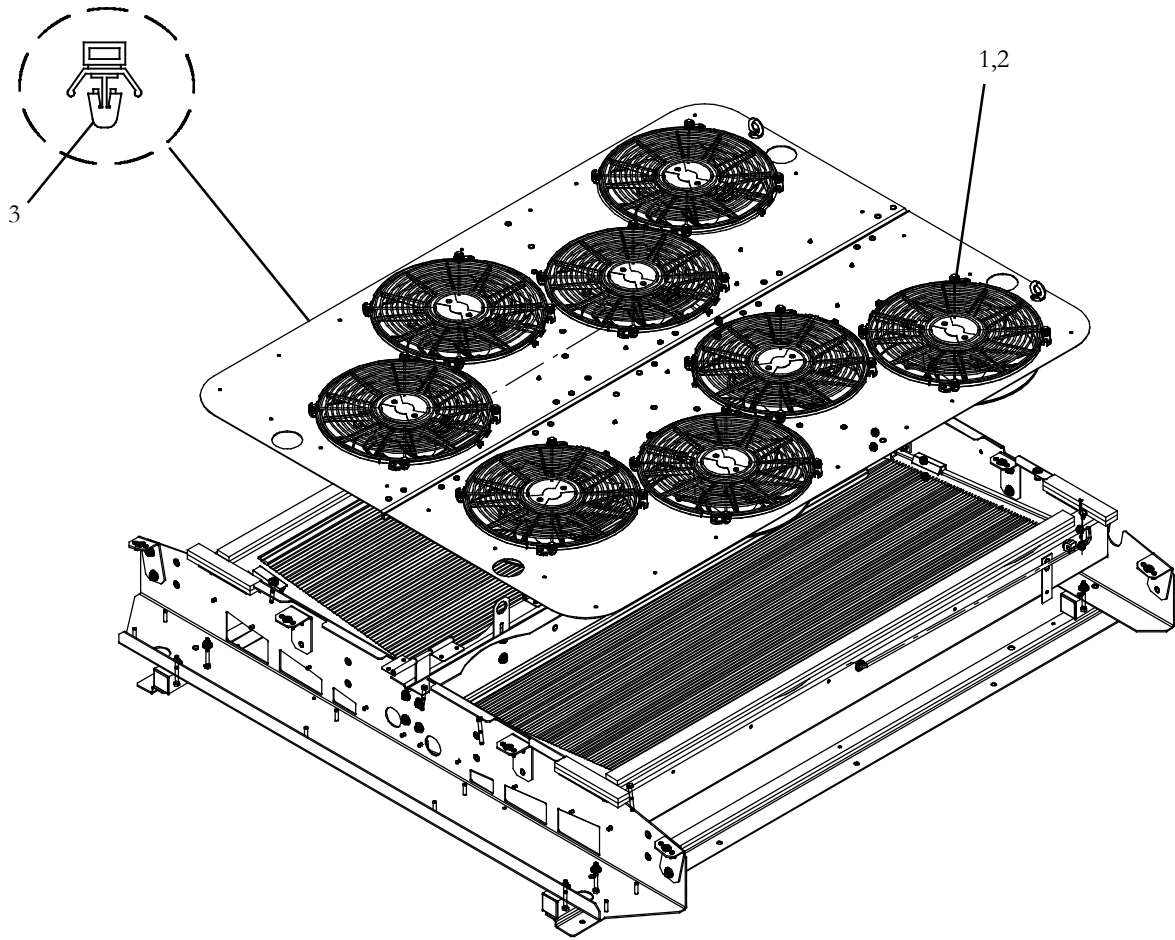
REF: 77-62258-13

Item	Part Number	Description	Qty
-	NSI	Fan Deck Assembly, Includes:	1
1	Y45-00007-00	Fan and Motor Assembly, Condenser, 24VDC EBM Brushless Motors	4
2	73-67002-00	Grille, Condenser Fan	4
3	58-04315-00	Base Mounting, 0.25" (6.35) DIA MTG Hole	A/R



16.7 Condenser Fan Kit -8 Brushless Motors (EBM): Option 7

Used to secure harness to fan deck



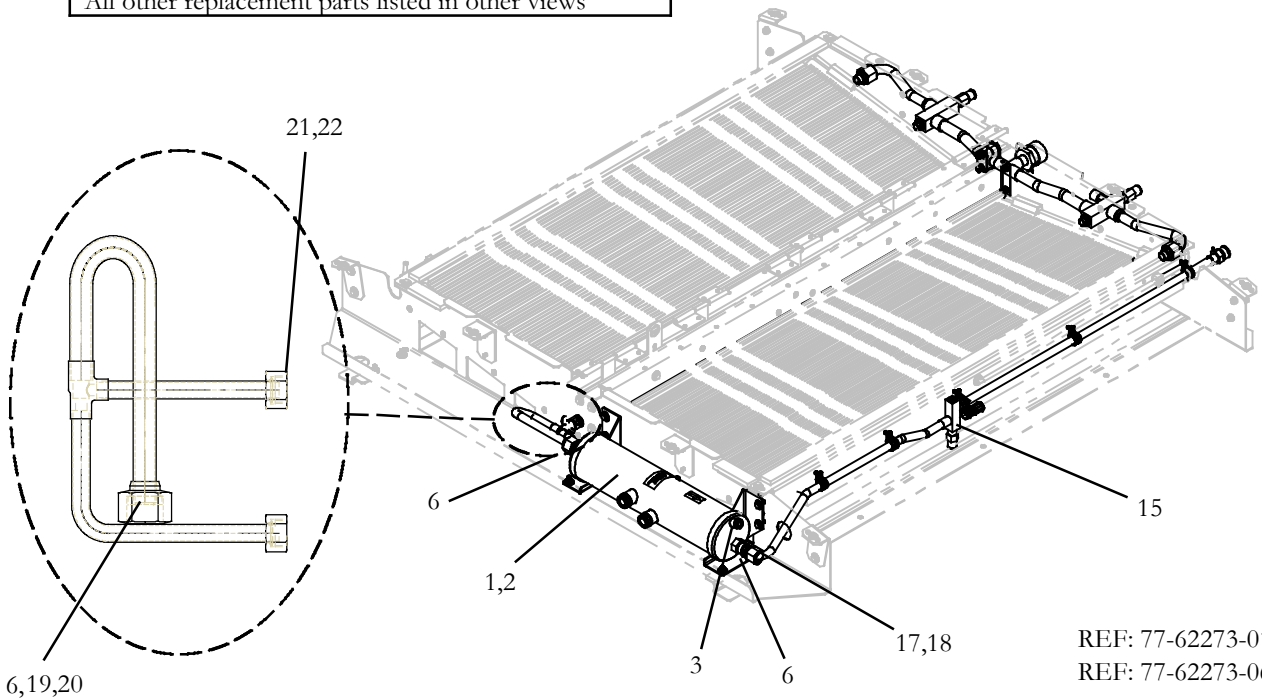
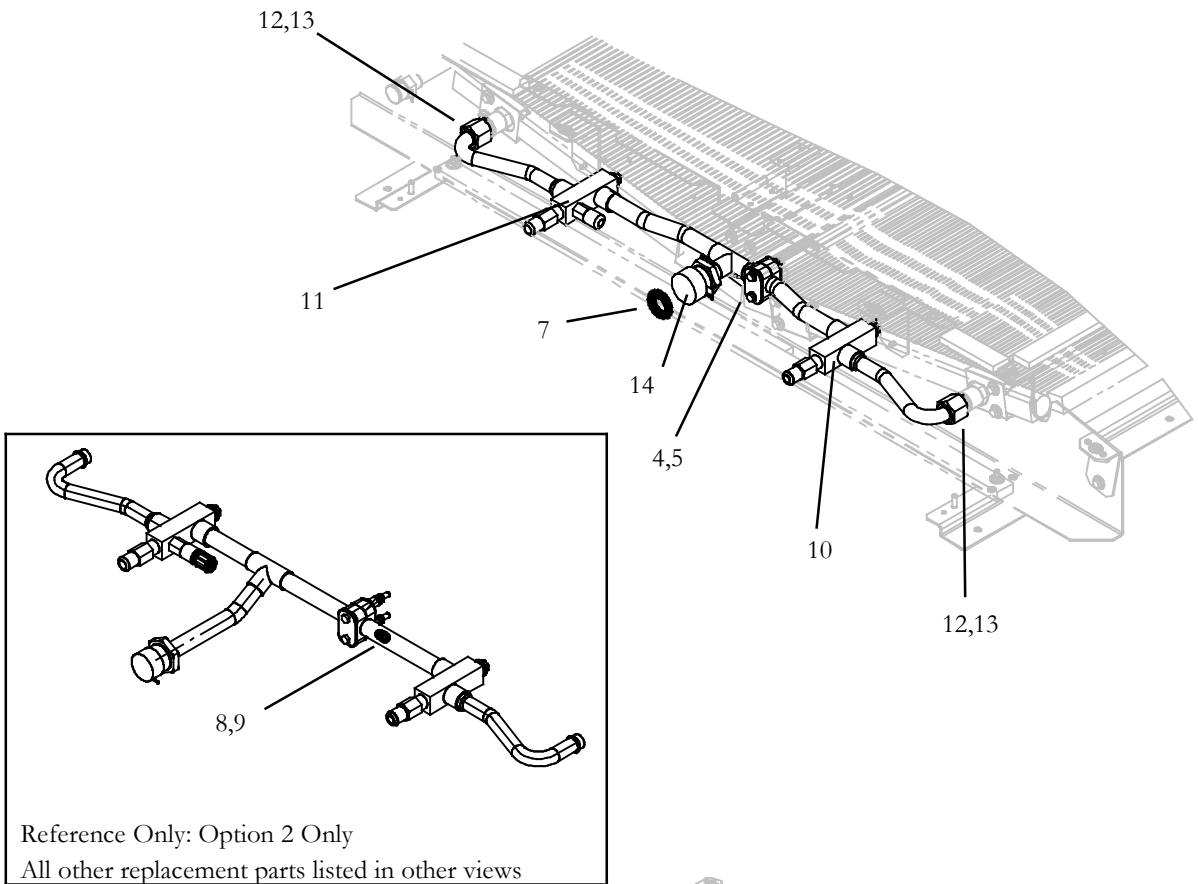
REF: Y19-35334-00

Item	Part Number	Description	Qty
-	NSI	Fan Deck Assembly, Includes:	-
1	54-00634-00	Fan and Motor Assembly, Condenser, 24VDC EBM Brushless Motors	8
2	73-67002-00	Grille, Condenser Fan	8
3	58-04315-00	Base Mounting, 0.25" (6.35) DIA MTG Hole	10



17 CONDENSER CONNECTION KIT

17.1 Condenser Connection Kit - Single Circuit: Options 1, 2 & 3



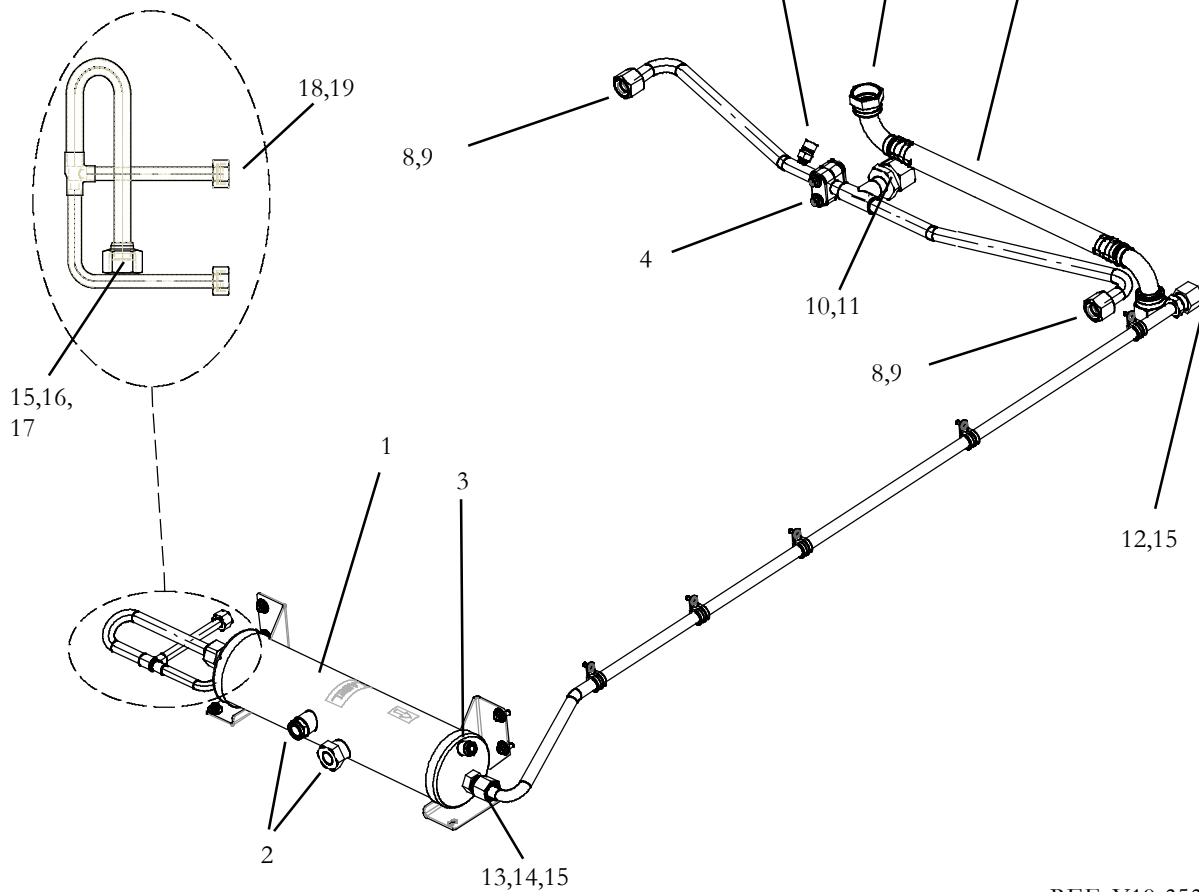
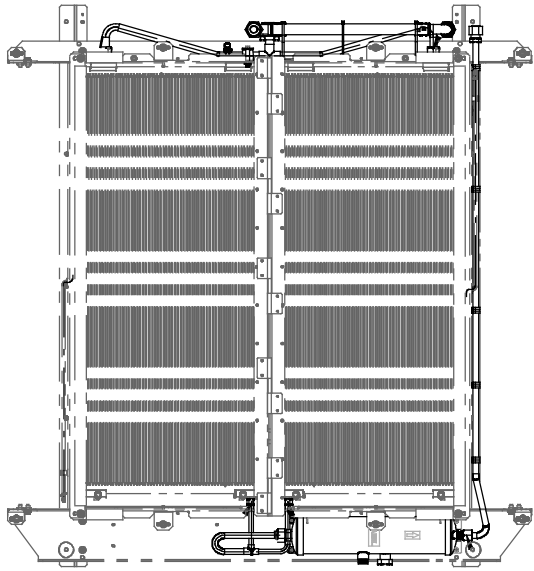
REF: 77-62273-01
 REF: 77-62273-06
 REF: 77-62273-07



17.1 Condenser Connection Kit - Single Circuit: Options 1, 2 & 3 (Continued)			
Item	Part Number	Description	Qty
1	Y26-00005-00	Receiver Assembly, Refrigerant - Includes: Option 1 Only	1
NO TAG	Y26-00079-00	Sightglass, w/Moisture Indicator	2
1	Y26-00005-01	Receiver Assembly, Refrigerant - Includes: Option s 2 & 3 Only	1
2	Y26-00079-00	Sightglass, w/Moisture Indicator	2
3	14-01032-01	Plug, Fusible, Safety	1
4	44-00285-60	Clamp	1
5	44-00285-89	Cover	1
6	42-00243-03	O-Ring, .614" (15.59) ID x .07" (1.78) THK	2
7	42-00243-00	O-Ring, .921" (23.39) ID x .139" (3.53) THK	1
8	40-60159-00	Valve, Solder x 1/4" Schrader- Includes: Option 2 Only	1
9	40-60087-00	Core, Schrader	1
10	40-00501-11	King Valve, 7/8" ODF x 7/8" ODF	1
11	40-00501-04	King Valve, 7/8" ODF x 7/8" ODF, w/134a Port	1
12	42-00243-28	O-Ring, 0.63" ID x 0.79" OD	2
13	40-67014-03	Nut, Hex, ORP - 3/4"	2
14	40-00491-00	Fitting, 7/8" ODF x 1-7/16" ORS	1
15	40-00501-12	King Valve, 134a 5/8"	1
16	40-60007-04	Fitting, ORFS x 3/4" ODF	1
17	40-00503-03	Collar, Tube, ORS x 5/8"	1
18	34-06121-03	Nut, Hex, 5/8" ORS	1
19	40-60009-04	Nut, ORS, #10 x 5/8" OD Tube	1
20	40-60008-04	Collar, 5/8" ORS Tube	1
21	40-62125-08	Nut, Hex, ORP 1/2"	2
22	801-202	O-Ring, 1/2" HN BR	2



17.2 Condenser Connection Kit - Single Circuit: Option 4



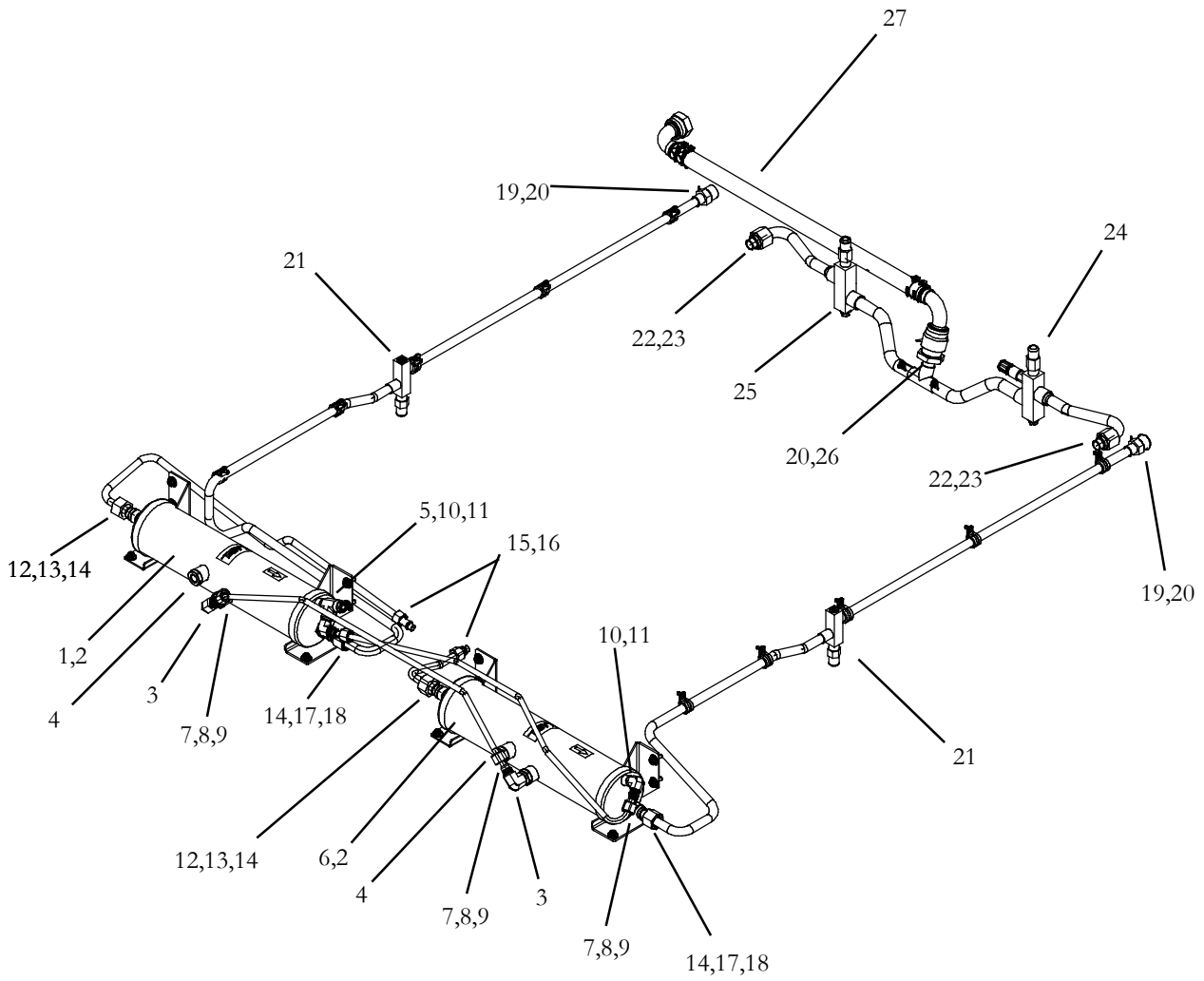
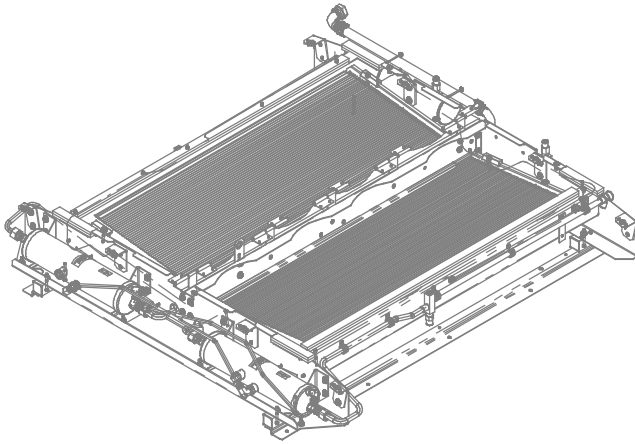
REF: Y19-35321-00



17.2 Condenser Connection Kit - Single Circuit: Option 4 (Continued)			
Item	Part Number	Description	Qty
1	Y26-00005-01	Receiver Assembly, Refrigerant - Includes:	1
2	Y26-00079-00	Sightglass, w/Moisture Indicator	2
3	14-01032-01	Plug, Fusible, Safety	1
4	44-00285-80	Clamp	1
5	40-60042-01	Coupling, M8, R-134a	1
6	40-01124-00	Valve Body, Solder, Access Port	1
7	40-00351-00	Core, Schrader	1
8	801-207	O-Ring, 0.63" ID x 0.79" OD	2
9	40-67014-03	Nut, Hex, ORP - 3/4"	2
10	42-00243-00	O-Ring, .921" (23.39) ID x .139" (3.53) THK	1
11	40-00491-00	Fitting, 7/8" ODF x 1-7/16" ORS	1
12	40-00491-09	Fitting, ORS Refrig. Conn. - 1"x 14	1
13	40-00503-03	Collar, Tube, ORS x 5/8"	1
14	34-06121-03	Nut, Hex, 5/8" ORS	1
15	42-00243-03	O-Ring, .614" (15.59) ID x .07" (1.78) THK	3
16	40-60009-04	Nut, ORS, #10 x 5/8" OD Tube	1
17	40-60008-04	Collar, 5/8" ORS Tube	1
18	40-62125-08	Nut, Hex, ORP 1/2"	2
19	801-202	O-Ring, 1/2" HN BR	2
20	40-64094-00	Fitting, 90, #16 ORS Female x #16 FLXCLK Hose	2
21	44-64008-54	Fitting Kit, Clamp/Cage, #16 FLXCLK	2
22	58-64105-04	Hose, #16 FLXCLK	A/R



17.3 Condenser Connection Kit - Single Circuit- Dual Receivers: Option 5



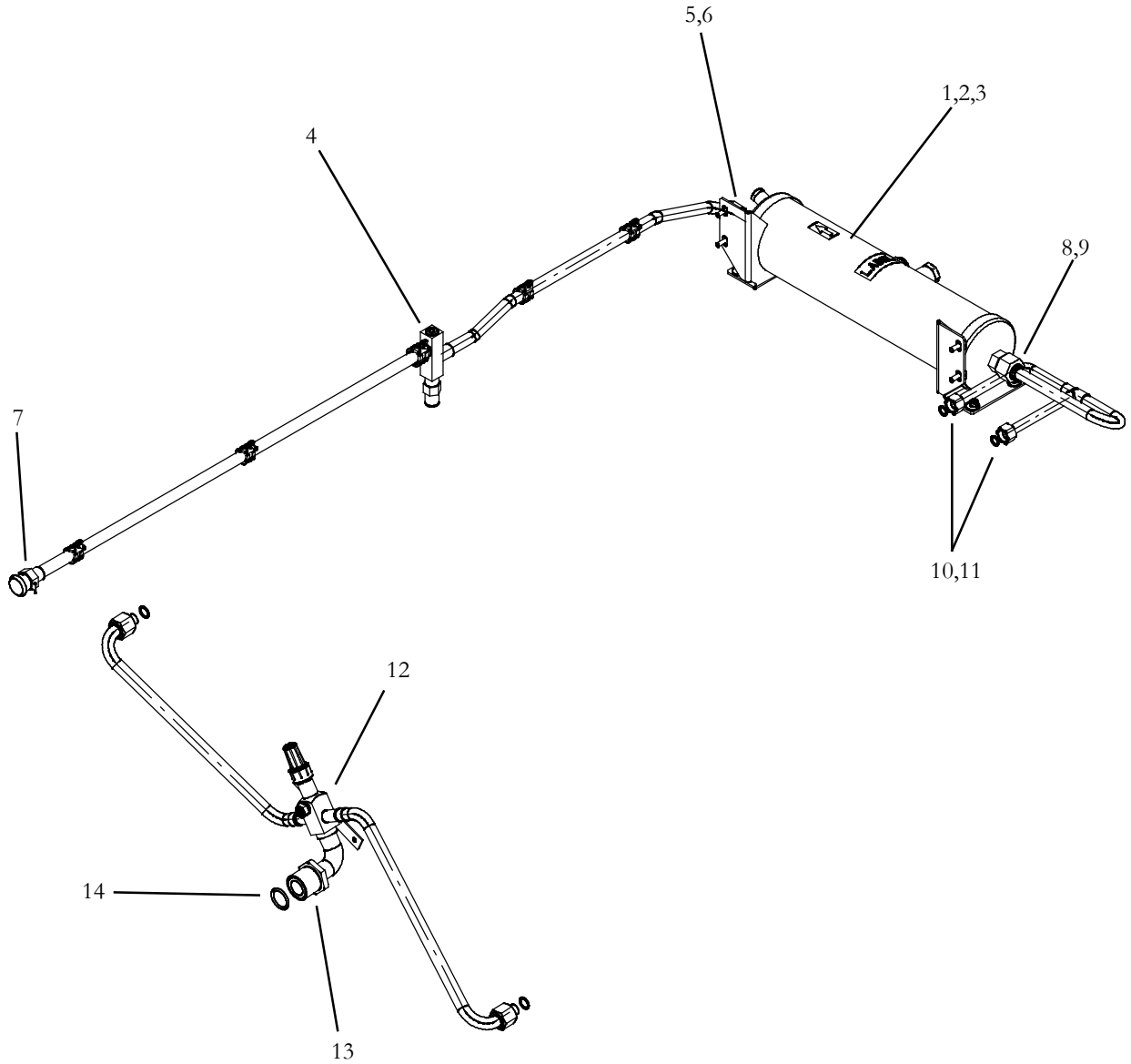
REF: Y19-35336-00



17.3 Condenser Connection Kit - Single Circuit: Option 5 (Continued)			
Item	Part Number	Description	Qty
1	NSA	Receiver Assembly, Refrigerant - Includes:	1
2	Y26-00005-00	Receiver Tank	1
3	Y27-00265-01	Adaptor, 90 Degree, 1/2 -14 NPT x 11/16 - 16	1
4	Y26-00079-00	Sightglass, w/moisture indicator	1
5	14-01032-01	Plug, Fusible, Safety	1
6	NSA	Receiver Assembly, Refrigerant - Includes:	1
2	Y26-00005-00	Receiver Tank	1
3	Y27-00265-01	Adaptor, 90 Degree, 1/2 -14 NPT x 11/16 - 16	1
4	Y26-00079-00	Sightglass, w/moisture indicator	1
7	40-00503-06	Collar, Brass	4
8	34-06121-06	Nut, Hex, ORS Braze Shoulder	4
9	42-00243-09	O-Ring, 0.364 ID x 0.070 THK	4
10	Y27-00267-00	FTG, Tee, 3/8 - 18 MNPT x 3/8 - 18 FNPT x 3/8 - 18 FNPT	1
11	Y27-00265-00	Adapter, 90 Degree, 3/8 - 18 MNPT x 11/16 - 16 ORFS	2
12	40-60008-09	Shoulder, ORS #8/10 x 1/2 OD Tube	2
13	40-60009-04	Hex Nut, ORS #10 x 5/8 OD Tube	2
14	42-00243-03	O-Ring, 0.614 ID x 0.070 THK	4
15	40-62125-08	Adapter Nut, Female Insert O-Ring (FIOR)	2
16	42-00243-12	O-Ring, 0.426 ID x 0.070 THK	2
17	40-00503-03	Collar, Brass	2
18	34-06121-03	Nut, Hex, ORS Braze Shoulder	2
19	40-60007-04	Raccord V/S ORFS	2
20	42-00243-00	O-Ring, 0.921 ID x 0.139 THK	3
21	40-00501-12	Valve, King	2
22	42-00243-28	O-Ring, 0.630" ID x 0.79" OD	2
23	40-67014-03	Nut, Hex, ORP - 3/4"	2
24	40-00501-04	Valve, King, 134a	1
25	40-00501-11	7/8 ODF x 7/8 ODF	1
26	40-00491-00	Fitting, ORS, 1-7/16" - 12 x 7/8 ODF	1
27	58-62231-11	Hose Assembly, FlexCLIK	1



17.4 Condenser Connection Kit - Single Circuit: Option 6



REF: 77-62273-09

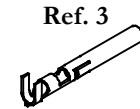
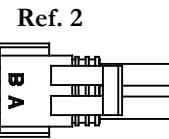
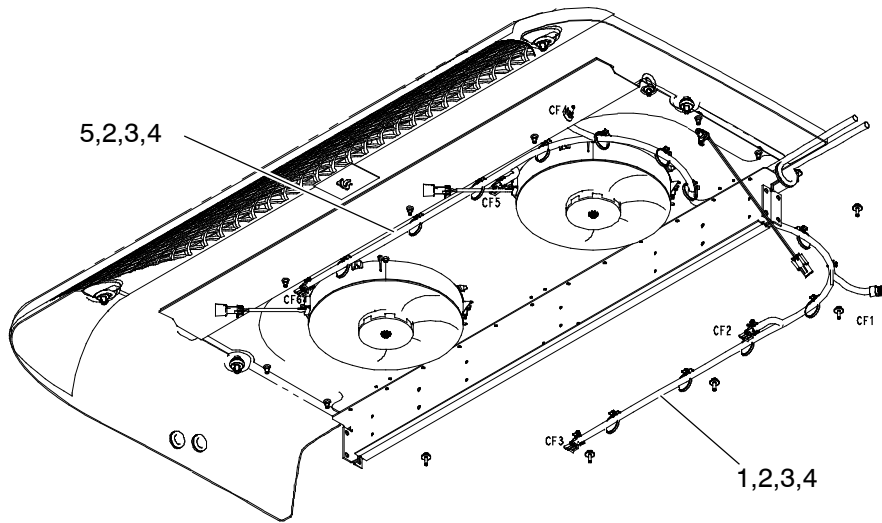
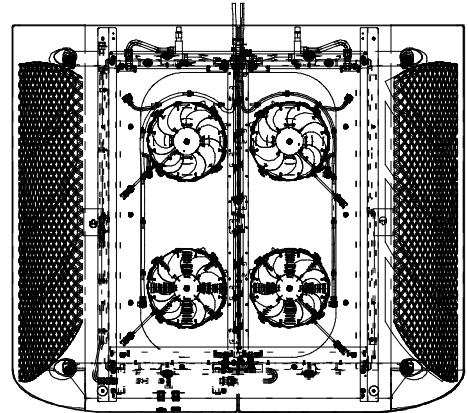
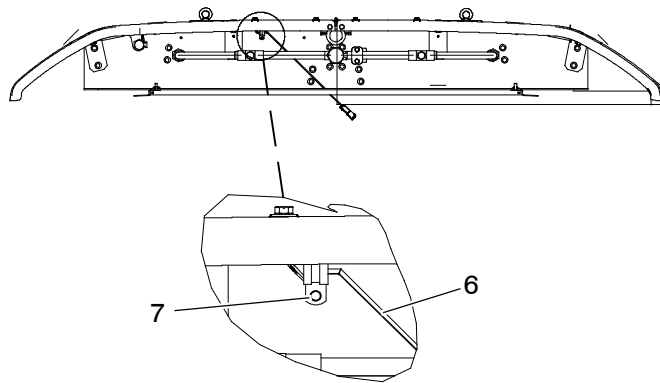


17.2 Condenser Connection Kit - Single Circuit: Option 6 (Continued)			
Item	Part Number	Description	Qty
1	Y26-00005-01	Receiver Assembly, Refrigerant - Includes:	1
2	Y26-00079-00	Sightglass, w/Moisture Indicator	2
3	14-01032-01	Plug, Fusible, Safety	1
4	40-00501-12	Valve, King, R134a, 5/8" Solder	1
5	40-00503-03	Collar, Tube, ORS, 5/8"	1
6	34-06121-03	Nut, Hex, 5/8" ORS	1
7	40-60007-04	Fitting, ORFS, 3/4" ODF	1
8	40-60009-04	Nut, ORS, #10 x 5/8" OD Tube	1
9	40-60008-04	Collar, 5/8" ORS Tube	1
10	40-62125-08	Nut, Hex, ORP 1/2"	2
11	801-202	O-Ring, 1/2" HN BR	2
12	Y27-00344-00	Valve, King, 3/4" ODF x 3/4" ODF	1
13	40-00491-01	Fitting, ORS Refrig Connection - 1 11/16" -12	1
14	42-00243-01	O-Ring, 1.71 ID x 0.139 THK	1
15	40-67014-03	Nut, Hex, ORP	2
16	42-00243-28	O-ring, 0.630 ID x 0.079 THK	2



18 CONDENSER ELECTRICAL KIT

18.1 Condenser Electrical Kit, Permanent Magnet Motors (4 or 6 Motors): Option 1

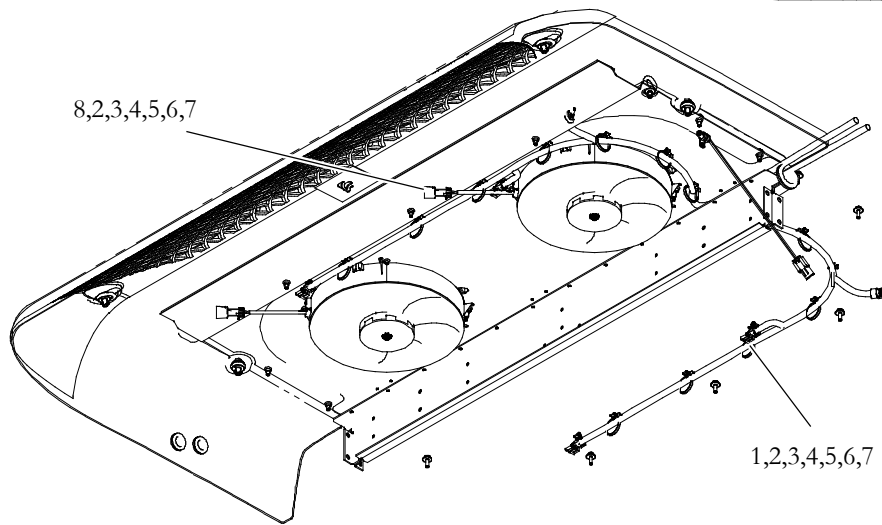
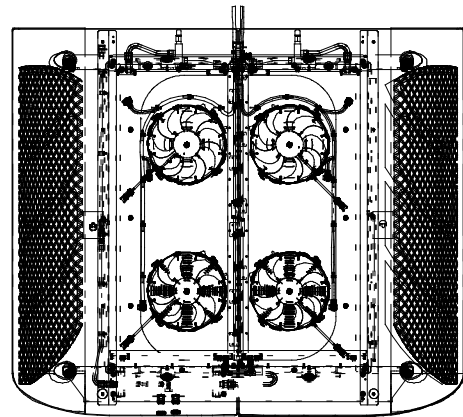
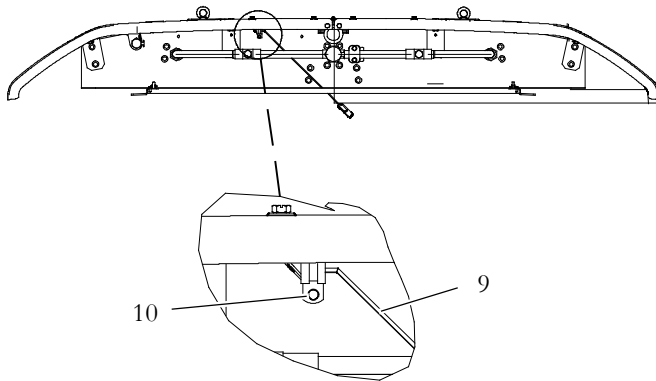


REF: 77-00270-00L

Item	Part Number	Description	Qty
1	NSI	Harness, AC353, G4, Permanent Magnet Motors - Includes:	1
2	22-01585-00	Connector, CF1, CF2, CF3	3
3	22-01566-00	Terminal, Female	6
4	22-02394-00	Seal	6
5	NSI	Harness, AC353, G4, Permanent Magnet Motors - Includes:	1
2	22-01585-00	Connector, CF4, CF5, CF6	3
3	22-01566-00	Terminal, Female	6
4	22-02394-00	Seal	6
6	58-04315-00	Base, Mounting, 0.250" (6.35) Diameter Mounting Hole, Nylon	2
7	Y25-00011-00	Ambient Temperature Sensor Assembly (F/A)	1



18.2 Condenser Electrical Kit -Brushless Motors (4 or 6 Motors): Option 2

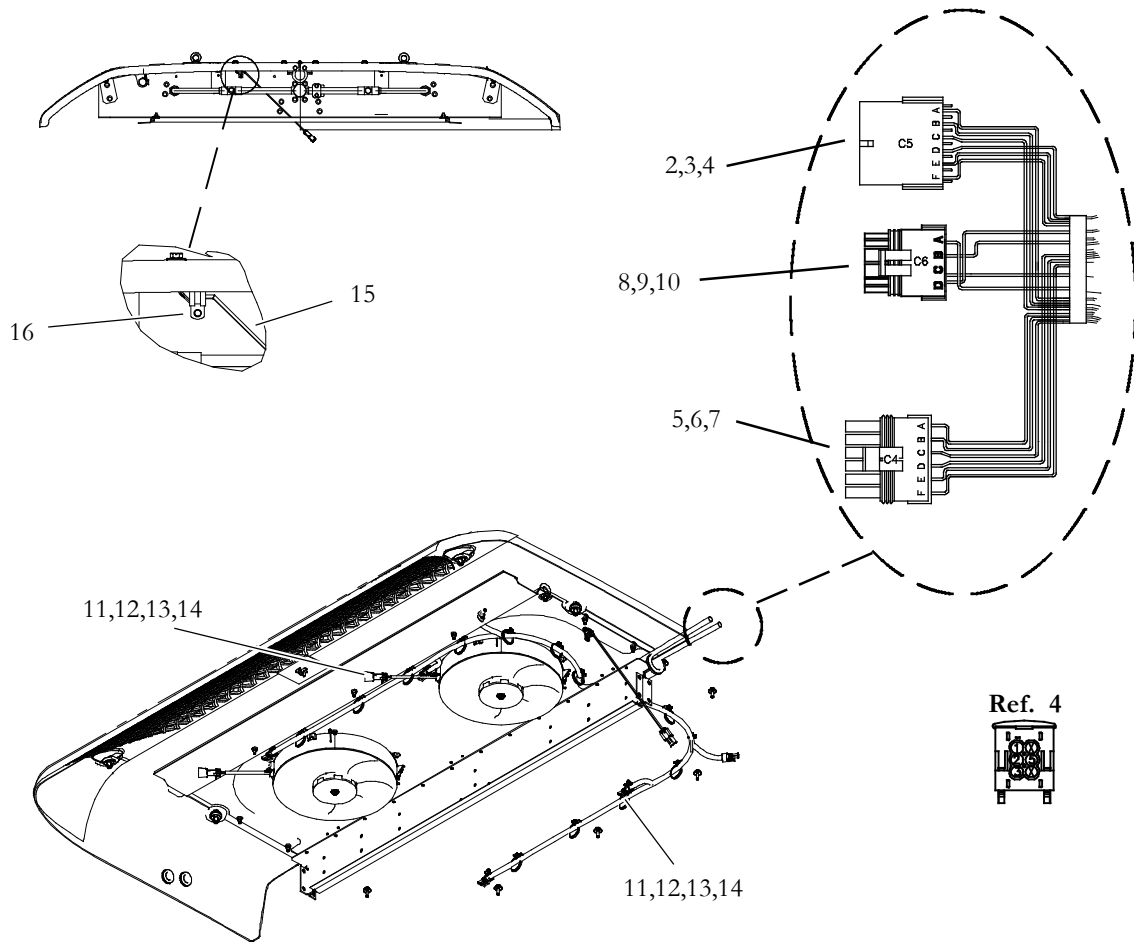


REF: 77-00270-01 L

Item	Part Number	Description	Qty
1	NSI	Harness, AC353, G4, Brushless Motors - Includes:	1
2	22-50099-41	Connector, X13	1
3	22-50099-41A	Terminal, X13	A/R
4	22-50099-40	Connector, XM17, XM18, XM19	3
5	22-50099-40A/B	Terminal, XM17, XM18, XM19	A/R
6	22-50099-40C/D	Wire Seal, XM17, XM18, XM19	A/R
7	22-50099-40E	Terminal Cavity Plug, XM17, XM18, XM19	A/R
8	NSI	Harness, AC353, G4, Brushless Motors - Includes:	1
2	22-50099-41	Connector, X14	1
3	22-50099-41A	Terminal, X14	A/R
4	22-50099-40	Connector, XM20, XM21, XM22	3
5	22-50099-40A/B	Terminal, XM20, XM21, XM22	A/R
6	22-50099-40C/D	Wire Seal, XM20, XM21, XM22	A/R
7	22-50099-40E	Terminal Cavity Plug, XM20, XM21, XM22	A/R
9	58-04315-00	Base, Mounting, 0.250 Diameter Mounting Hole, Nylon	2
10	Y25-00011-00	Ambient Temperature Sensor	1



18.3 Condenser Electrical Kit -Brushless Motors (4 or 6 Motors): Option 3

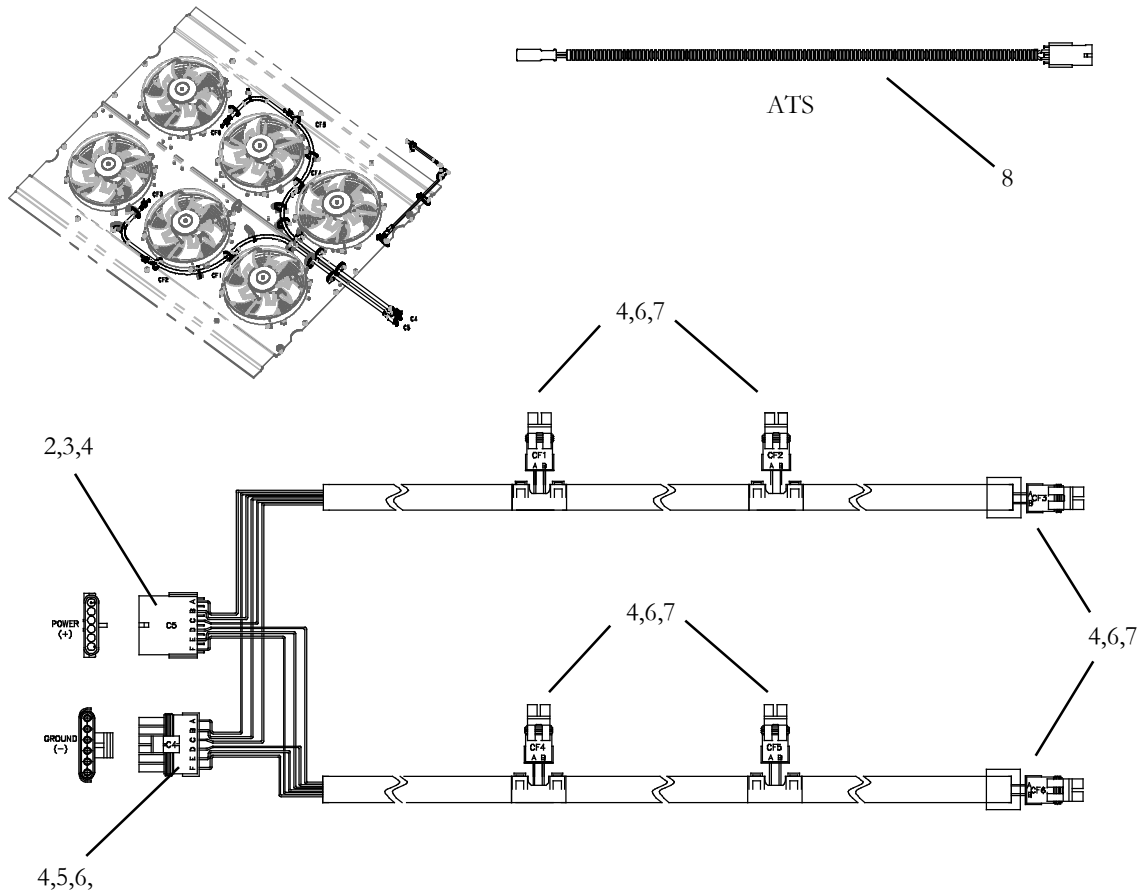


Kit 77-00270-02 L

Item	Part Number	Description	Qty
1	NSI	Harness, AC353, G4, Brushless Motors - Includes:	1
2	22-02392-02	Connector, 6 Position WP, C5	1
3	22-02393-00	Terminal, Male	A/R
4	22-02394-00	Seal, Wire	A/R
5	22-01585-03	Connector, 6 Position WP, C4	1
6	22-01566-00	Terminal, Female	A/R
7	22-02394-00	Seal, Wire	A/R
8	22-01585-04	Connector, 4Position WP, C6	1
9	22-01566-00	Terminal, Female	A/R
10	22-02394-00	Seal, Wire	A/R
11	22-50099-40	Connector, XM17, XM18, XM19, XM20, XM21, XM22	6
12	22-50099-40A/B	Terminal, XM17, XM18, XM19, XM20, XM21, XM22	A/R
13	22-50099-40C/D	Wire Seal, XM17, XM18, XM19, XM20, XM21, XM22	A/R
14	22-50099-40E	Terminal Cavity Plug, XM17, XM18, XM19, XM20, XM21, XM22	A/R
15	58-04315-00	Base, Mounting, 0.250 Diameter Mounting Hole, Nylon	2
16	Y25-00011-00	Ambient Temperature Sensor	1



18.4 Condenser Electrical Kit -Brushless Motors w/Weatherpac (6 Motors): Option 4

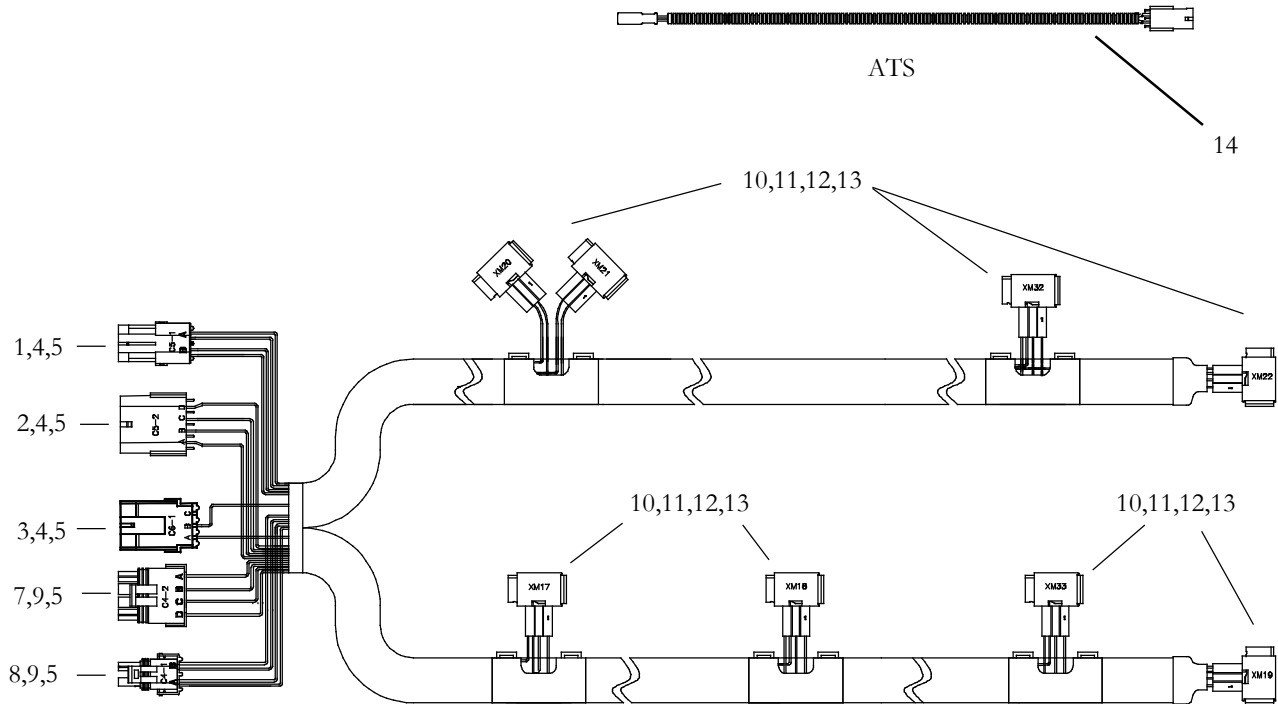


Kit 77-00270-04 M

Item	Part Number	Description	Qty
1	NSI	Harness, AC353, G4, Brushless Motors - Includes:	1
2	22-02392-02	Connector, 6 Position WP, C5	1
3	22-02393-00	Terminal, Male	6
4	22-02394-00	Seal, Wire	24
5	22-01585-04	Connector, 6 Position WP, C4	1
6	22-01566-00	Terminal, Female	18
7	22-01585-04	Connector, 2 Position WP, CF1 thru CF6	6
N.S.	58-04315-00	Base, Mounting, 0.250 Diameter Mounting Hole, Nylon	2
8	Y25-00011-00	Ambient Temperature Sensor	1



18.5 Condenser Electrical Kit -Brushless Motors (8 Motors): Option 5

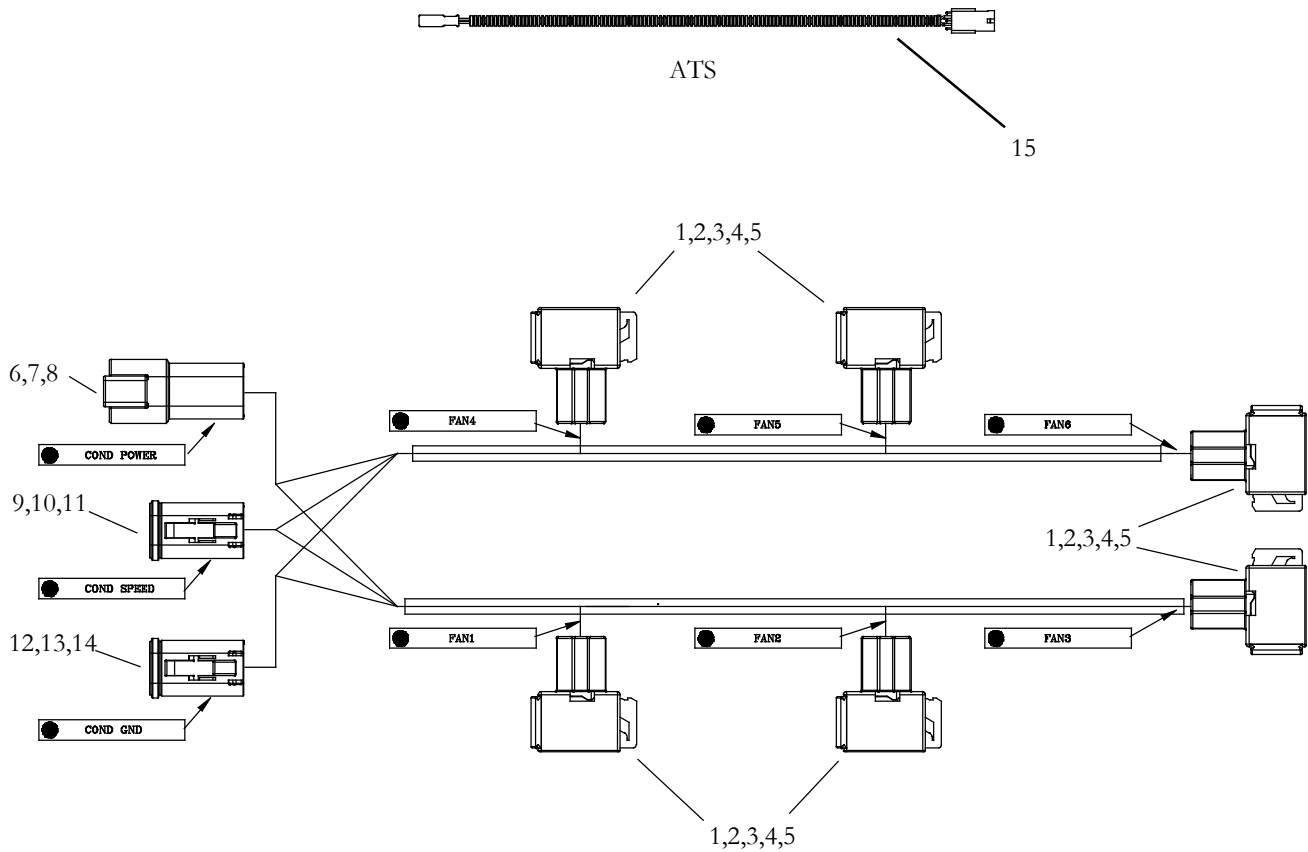


Kit 77-00270-05 P

Item	Part Number	Description	Qty
-	NSI	Harness, AC353, G4, Brushless Motors - Includes:	1
1	22-50098-58	Connector C5-1, 4 Position MWP	1
2	22-02392-03	Connector C5-2, 4 Position MWP	1
3	22-50098-60	Connector C6-1, 3 Position MWP	1
4	22-02393-00	Terminal, Male	10
5	22-02394-00	Seal, Wire	18
6	22-01565-01	Terminal Cavity Plug, used in C6-1C	1
7	22-01585-04	Connector C4-2, 4 Position FWP	1
8	22-50098-57	Connector C4-1, 4 Position FWP	1
9	22-01566-00	Terminal, Female	8
10	22-50099-40	Connector XM (all), 6 Position Amp	8
11	22-50099-40A/B	Terminal, XM17, XM18, XM19, XM20, XM21, XM22	24
12	22-50099-40C/D	Wire Seal, XM17, XM18, XM19, XM20, XM21, XM22	24
13	22-50099-40E	Terminal Cavity Plug, XM17, XM18, XM19, XM20, XM21, XM22	24
N.S.	58-04315-00	Base, Mounting, 0.250 Diameter Mounting Hole, Nylon	2
14	Y25-00011-00	Ambient Temperature Sensor	1



18.6 Condenser Electrical Kit -EcoTemp, Brushless Motors (6 Motors): Option 6

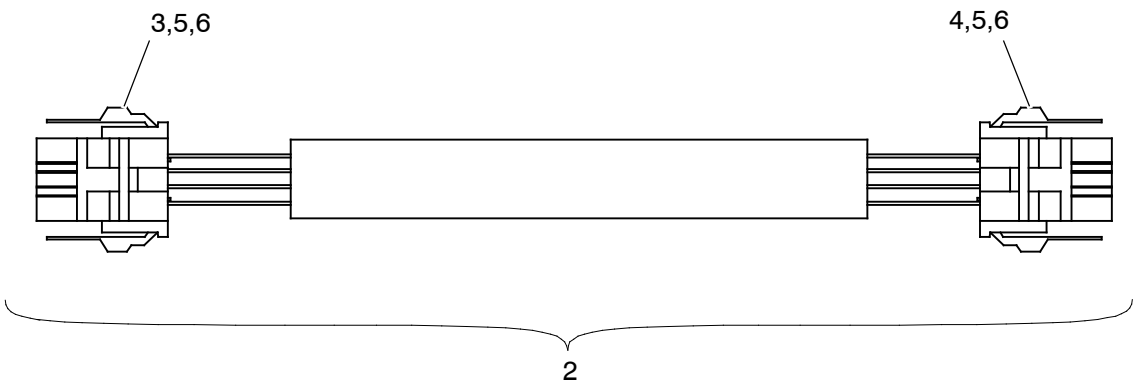
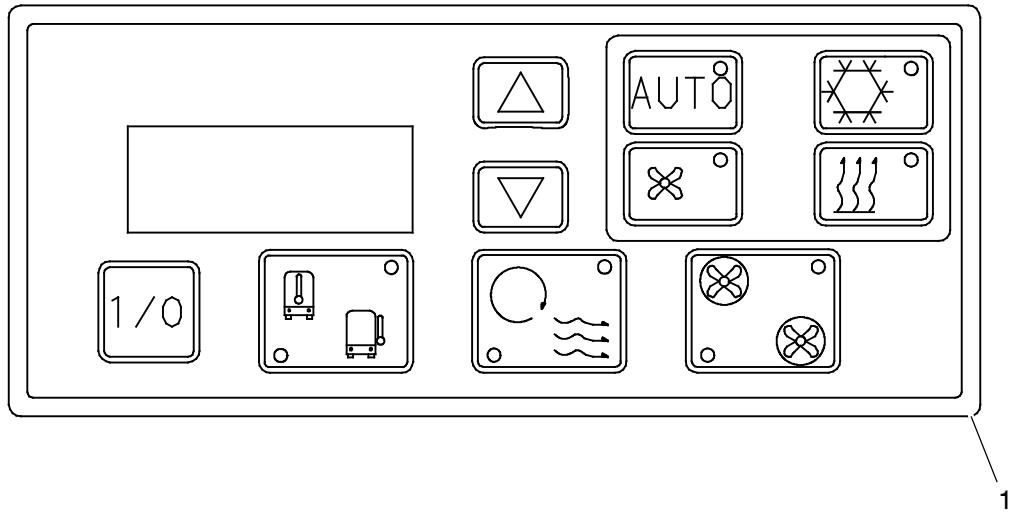


Kit Y19-35331-00 & -01

Item	Part Number	Description	Qty
-	NSI	Harness, AC353, G4, Brushless Motors - Includes:	1
1	31-1865	Connector 6-Way, JR Power Timer	6
2	31-1870	Cavity Pug, JR Power Timer	12
3	31-1859	Wire Seal, JR Power Timer	24
4	31-1947	Terminal, Female, 18 AWG, JR Power Timer	12
5	31-1866	Terminal, Female, 14 AWG, JR Power Timer	12
6	31-1157	Connector Receptacle, 6 Way, Deutsch	1
7	31-1158	Wedge Receptacle, 6 Way, Deutsch	1
8	31-1053	Terminal, Pin, 14 AWG, Deutsch	6
9	31-1357	Connector Plug, 4 Way, Deutsch	1
10	31-1358	Wedge Plug, 4 Way, Deutsch	1
11	31-1372	Terminal, Socket, 18 AWG, Deutsch	4
12	31-1159	Connector Plug, 6 Way, Deutsch	1
13	31-1160	Wedge Receptacle, 6 Way, Deutsch	1
14	31-1125	Terminal, Socket, 14 AWG, Deutsch	6
15	Y25-00011-00	Ambient Temperature Sensor	1



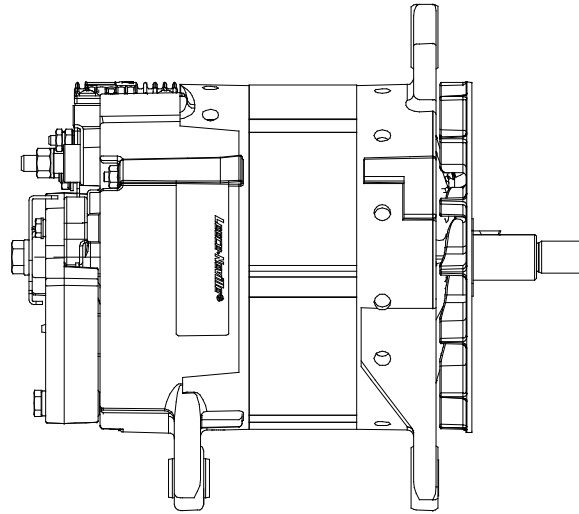
19 MICROMATE CONTROL PANEL and HARNESS



Item	Part Number	Description	Qty
1	12-00391-03	Module, Drivers Display (Micromate Control Panel) (1200 Baud Rate)	1
	12-00391-06	Module, Drivers Display (Micromate Control Panel) (2400 Baud Rate)	1
2	22-62063-01	Wire Harness, 320 Inches (Used With Micromate As A Diameter-gnostic Tool, Connects To J2 Port On Controller Logic Module) - Includes:	1
	22-62063-02	Wire Harness, 120 Inches (Used With Micromate As A Diameter-gnostic Tool, Connects To J2 Port On Controller Logic Module) - Includes:	
3	22-62026-00	Connector, Rectangular, 6 Pin, Brick Red (MCP)	1
4	22-50145-00	Connector, Plug, 4 Pin	1
5	22-50152-00	Terminal, Socket, Female (MCP)	8
6	22-02394-02	Seal, Cable, Green	8



20 MISCELLANEOUS COMPONENTS

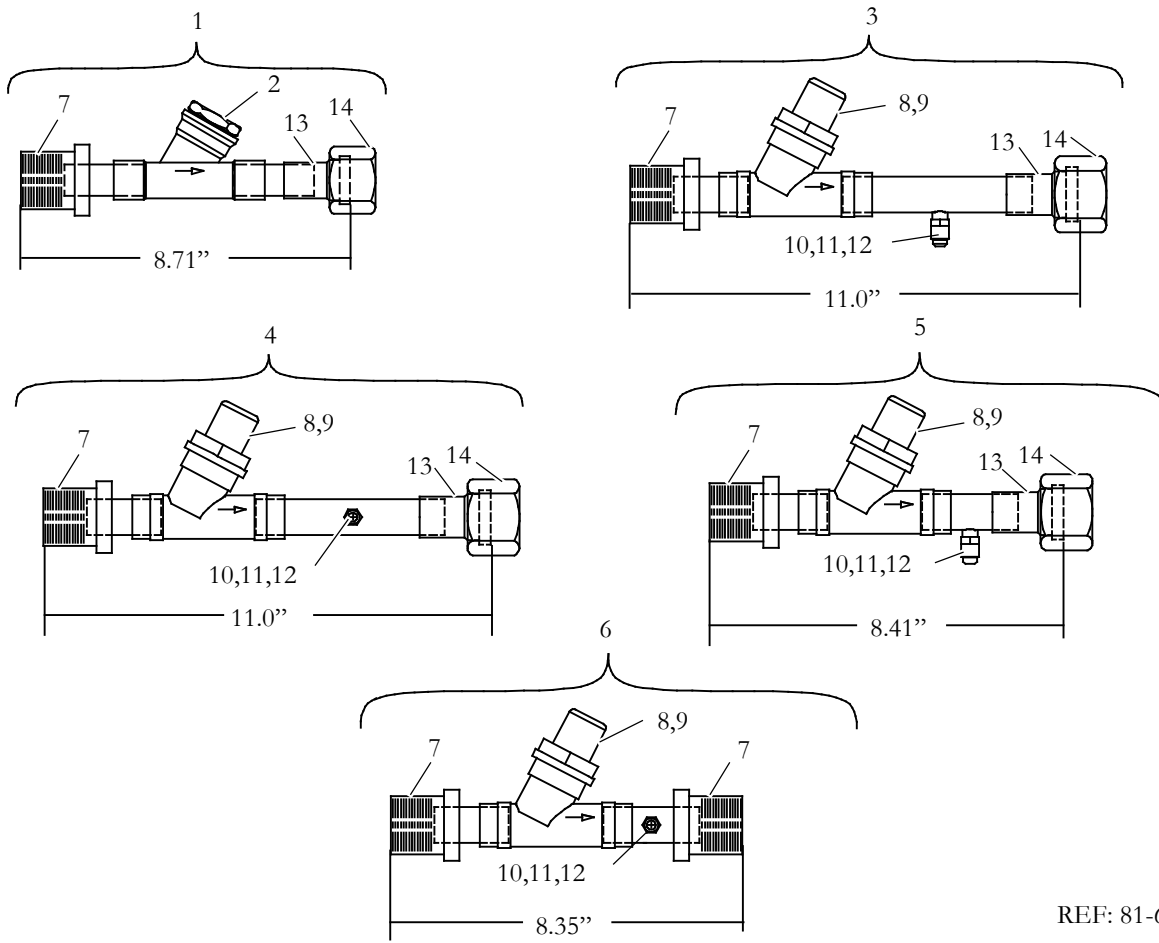


REF: Y45-00006

Item	Part Number	Description	Qty
1	Y45-00006-00	Alternator, Batteryless, 28V-200A	1



21 CHECK VALVE ASSEMBLIES

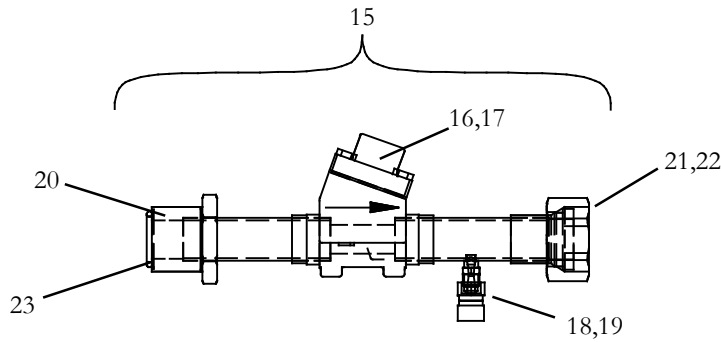


REF: 81-62004 H

Item	Part Number	Description	Qty
1	NSA	Valve Assembly, Check (Ref: 81-62004-00) - Includes:	1
2	14-00029-07	Valve, Check, 7/8 ODF	1
3	NSA	Valve Assembly, Check - (Ref: 81-62004-02) Includes:	1
4	NSA	Valve Assembly, Check - (Ref: 81-62004-03) Includes:	1
5	NSA	Valve Assembly, Check - (Ref: 81-62004-04) Includes:	1
6	NSA	Valve Assembly, Check - (Ref: 81-62004-05) Includes:	1
7	40-00491-00	Fitting, ORS, 7/8 x 1 7/16-12	1
8	14-00281-04	Valve, Check, 7/8 ODF	1
9	Y26-00021-98	Kit, Repair	1
10	40-01124-00	Body, Valve, Brass, 1/4 SAE Flare - Includes:	2
11	14-00351-00	Core, Access Valve (Nickel Plated)	1
12	DD19CA061	Cap, Seal Flare, 1/4 Inch	1
13	34-06121-00	Nut, Hex, ORS Braze (1-7/16-12 Threads)	1
14	40-00503-00	Collar,Tube, 7/8 ORS, Nickel Plated	1

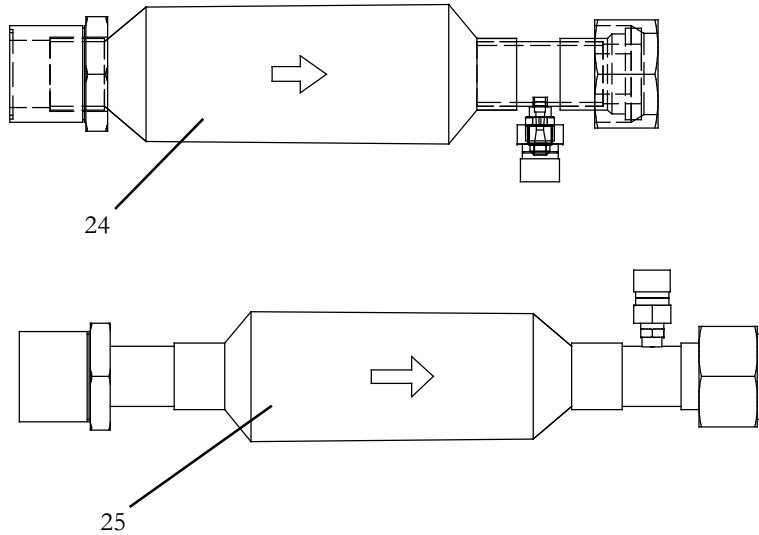


21 CHECK VALVE ASSEMBLIES (Continued)



REF: 81-62183 C

Item	Part Number	Description	Qty
15	NSA	Valve Assembly, Check - (Ref: 81-62183-00) Includes:	1
16	14-01122-07	Valve, Check, 1 1/8" ODs - Includes:	1
17	Y19-PRT02-00	Kit, Valve repair	1
18	40-01124-00	Valve Body, Access Port	1
19	40-60042-01	Coupling, M8, R134a	1
20	40-00491-01	Fitting, ORS Refrig Conn 1 11/16"-12	1
21	40-00503-01	Collar, Brass	1
22	34-06121-01	Nut, Hex, ORS Braze Shoulder	1
23	42-00243-01	O-Ring, 1.171 ID x 0.139 THK	1



REF: Y27-00256 1

Item	Part Number	Description	Qty
24	Y27-00256-01	Valve Assembly, Check Valve, #20 ORFS, 11 inch In-Line Magnetic w/134a Access	1
25	Y27-00256-02	Valve Assembly, Check Valve, #20 ORFS, 14 inch In-Line Magnetic w/134a Access	1



Part #

Page #

0

02-00137-00	42
02-62004-00	20, 22, 24
08-67022-00	8
08-67023-00	31
08-67023-01	31
08-67026-02	60

1

10-00286-13	45, 46, 48, 49, 50, 51, 52, 54, 55, 56
10-00286-14	53
12-00352-00	42
12-00391-06	86
12-00392-15	52
12-00392-18	45, 46, 55
12-00392-19	46
12-00393-00	45, 52, 55
12-00486-01	46, 48, 49, 50, 51, 54
12-00495-02SV	45, 46, 48, 49, 50, 51, 52, 54, 55, 56
12-00558-80	44
12-00659-01	48
12-00684-00	48
12-00693-04	49, 50
12-00693-07	50
12-00693-08	51
12-00391-03	86
14-00026-04	11
14-00029-07	88
14-00194-04	33, 34
14-00236-00	10, 12, 13
14-00236-50	10, 12, 13
14-00236-51	10, 12, 13
14-00246-01	11
14-00246-10	11
14-00281-04	88
14-00326-05	10, 11, 12, 13
14-00343-01	10, 11, 12, 13

Part #

Page #

14-00351-00	15, 17, 18, 22, 24, 88
14-01032-01	73, 75, 77, 79
14-01110-02	33, 34
14-01122-07	89
14-50036-00	33, 34
15-15032	6

2

201-901	53, 54, 56
201-931	53, 54, 56
22-01563-00	51
22-01563-04	45, 52
22-01563-05	46, 47, 48
22-01565-00	43
22-01565-01	43, 84
22-01566-00	80, 82, 83, 84
22-01585-00	43, 80
22-01585-03	82
22-01585-04	82, 83, 84
22-02336-01	49, 50, 51, 54, 56
22-02336-04	49, 50, 51, 54, 56
22-02392-00	43, 66, 68
22-02392-00SV	42
22-02392-02	82, 83
22-02392-03	84
22-02393-00	43, 66, 68, 82, 83, 84
22-02393-01	42, 43
22-02394-00	80, 82, 83, 84
22-02394-01	42
22-02394-02	66, 68
22-02448-00SV	43
22-04116-00	48
22-50078-09A	43
22-50078-58F	43
22-50078-58G	43
22-50098-16	43
22-50098-19	43
22-50098-57	84
22-50098-58	84
22-50098-60	84



Part #	Page #	Part #	Page #
22- 50098- 76	43	22- 62180- 00	42
22- 50098- 76A	43	22- 62180- 01	42
22- 50098- 91	46, 47, 48, 49, 50, 51, 53, 54, 56	22-02394-02	86
22- 50098- 91A	46, 47, 48, 49, 50, 51, 53, 54, 56	22-50145-00	86
22- 50099- 39	43	22-50152-00	86
22- 50099- 39A	43	22-62026-00	86
22- 50099- 39B	43	22-62063-01	86
22- 50099- 40	81, 82, 84	22-62063-02	86
22- 50099- 40A/B	81, 82, 84	25- 0569	57, 58, 59
22- 50099- 40C/D	81, 82, 84	25- 0610	57, 58, 59
22- 50099- 40E	81, 82, 84	25- 0684	57, 58, 59
22- 50099- 41	81	25- 0686	57, 58, 59
22- 50099- 41A	81	25- 2420	57, 58, 59
22- 50099- 42	43	25- 3160	53
22- 50099- 42A	43	25- 3162	53
22- 50099- 42B	43		
22- 50099- 43	43	3	
22- 50099- 43A	43	31- 1053	85
22- 50099- 43B	43	31- 1125	85
22- 50134- 00	44	31- 1157	85
22- 50135- 00	44	31- 1158	85
22- 50136- 00	44	31- 1159	85
22- 50137- 00	44	31- 1160	85
22- 50138- 00	44	31- 1357	85
22- 50143- 00	44	31- 1358	85
22- 50144- 00	44	31- 1372	85
22- 50145- 00	44	31- 1859	85
22- 50146- 00	44	31- 1865	85
22- 50148- 00	44	31- 1866	85
22- 50152- 00	44	31- 1870	85
22- 50153- 00	44	31- 1902	57, 58, 59
22- 50236- 00	44, 45, 46, 52, 55	31- 1921	57, 58, 59
22- 60268- 02	11	31- 1947	85
22- 62036- 00	46, 47, 48, 49, 50, 51, 53, 54, 56	34- 00373- 15	22, 24
22- 62038- 00	46	34- 06062- 70	15, 17, 20, 22, 24
22- 62039- 01	46, 47, 48, 49, 50, 51, 53, 54, 56	34- 06121- 00	88
22- 62040- 00	46, 48, 49, 50, 51, 53, 54, 56	34- 06121- 01	89
		34- 06121- 03	73, 75, 77, 79
		34- 06121- 05	25, 26, 27
		34- 06121- 06	77



Part #	Page #
34- 60098- 66	60
34- 62000- 00	45, 46, 52, 55
34- 62015- 00	37, 38, 39, 40, 41, 61, 62, 63, 64
34- 62016- 00	60
34- 67022- 00	2
34- 67025- 00	37, 38, 39, 40, 41, 61, 62, 63, 64
35- 0008	49, 50, 51, 54, 56, 57, 58, 59
35- 0011	49, 50, 51, 54, 56
35- 0176	57, 58, 59

4

40- 00351- 00	75
40- 00491- 00	15, 17, 18, 24, 73, 75, 77, 88
40- 00491- 01	22, 79, 89
40- 00491- 02	22, 24
40- 00491- 03	15, 17, 18, 20
40- 00491- 05	22
40- 00491- 09	10, 13
40- 00491- 12	28
40- 00501- 04	73, 77
40- 00501- 11	73, 77
40- 00501- 12	73, 77, 79
40- 00503- 00	88
40- 00503- 01	89
40- 00503- 03	10, 11, 73, 75, 77, 79
40- 00503- 05	25, 26, 27, 28, 29
40- 00503- 06	77
40- 00590- 03	15, 17, 18, 20, 22, 24
40- 01124- 00	22, 24, 75, 88, 89
40- 60007- 03	18
40- 60007- 04	73, 77, 79
40- 60008- 04	10, 12, 13, 73, 75, 79
40- 60008- 09	27, 77
40- 60009- 03	28, 29
40- 60009- 04	10, 11, 12, 13, 27, 73, 75, 77, 79
40- 60010- 02	28
40- 60010- 03	10, 30

Part #	Page #
40- 60019- 04	11
40- 60042- 01	75, 89
40- 60087- 00	73
40- 60145- 00	10, 11, 27
40- 60159- 00	73
40- 60159- 01	15, 17
40- 62032- 02	18
40- 62125- 08	73, 75, 77, 79
40- 62129- 00	18
40- 62151- 52	11
40- 64094- 00	75
40- 64094- 50	10, 11
40- 64094- 59	15, 17, 18, 22, 24
40- 67004- 00	15, 17, 18, 20, 22, 24
40- 67014- 03	73, 75, 77, 79
40- 67038- 00	31
42- 00032- 00	8, 9
42- 00243- 00	15, 17, 18, 73, 75, 77
42- 00243- 01	15, 17, 18, 20, 22, 24, 79, 89
42- 00243- 02	22, 24
42- 00243- 03	8, 9, 10, 11, 12, 13, 27, 73, 75, 77
42- 00243- 04	10, 11, 12, 13, 25, 26, 27, 28, 29, 30
42- 00243- 09	28, 77
42- 00243- 11	8, 9
42- 00243- 12	77
42- 00243- 28	73, 77, 79
42- 62045- 02	35
42- 62045- 04	35, 36
42- 62045- 05	35, 36
42- 62161- 00	5, 7
42- 62164- 00	15, 17, 18, 20, 22, 24
42- 67009- 06	3
42- 67021- 01	3
42- 67030- 00	31
44- 00285- 60	73
44- 00285- 80	75
44- 00285- 89	73
44- 00318- 00	34
44- 62004- 02	37, 38, 39, 40, 41
44- 64008- 54	75



Part #	Page #
44- 67003- 00	36
44- 67008- 00	4
44- 67014- 00	2, 60
46- 0008	32

5

54- 00622- 00	66, 68
54- 00627- 02	5, 7
54- 00634- 00	65, 67, 71
58- 00511- 08	45, 46, 52, 55
58- 00858- 00	42
58- 04315- 00	5, 6, 65, 66, 67, 68, 69, 70, 71, 80, 81, 82, 83, 84
58- 60298- 04	2, 33, 34
58- 60298- 05	2
58- 60302- 01	2, 60
58- 60302- 05	61, 62, 63, 64
58- 62231- 11	77
58- 64105- 02	10, 11
58- 64105- 04	75

6

67- 67013- 00	5, 6, 7
68- 62967- 00	6, 7
68- 67165- 00	37, 38, 39, 40, 41, 61, 62, 63, 64
68- 67260- 00	9
68- 67260- 01	8

7

73- 67002- 00	65, 66, 67, 68, 69, 70, 71
73- 67008- 00	4
79- 62111- 00	39
79- 62139- 00	5, 7
79- 62141- 02	39
79- 62142- 00	37
79- 62142- 01	37
79- 62142- 04	38, 39, 41
79- 62142- 05	38, 39

Part #	Page #
79- 62142- 08	40
79- 62142- 09	40
79- 62142- 10	41
79- 62153- 00	61
79- 62153- 01	61
79- 62153- 04	62
79- 62153- 05	62
79- 62153- 08	63
79- 62153- 09	63
79- 67073- 00	4

8

801- 202	73, 75, 79
801- 207	75
86- 67036- 00	1
86- 67150- 00	60

A

AC201- 600	47, 48, 49, 50, 51, 54, 56
AC201- 901	45, 46, 48, 49, 50, 51, 52, 55
AC201- 931	45, 48, 49, 50, 51, 52, 55
AC301- 244	33

C

CM983- 618	44
------------	----

D

DD19CA061	88
-----------	----

T

T25- 3831	57, 58, 59
T35- 1215	58, 59
T35- 1345	57, 58
T35- 1346	57
T35- 1349	58, 59
T35- 1535	59
T35- 1537	59
T35- 1540	59



INDEX

Part #	Page #
T35- 1610	58
T35- 1617	57, 58

Y

Y19- PRT02- 00	89
Y21- 00008- 02	8
Y21- 00008- 03	9
Y22- 00003- 00	32
Y22- 00003- 01	32
Y23- 00010- 00	36
Y24- 00019	1
Y24- 00056- 00	2
Y24- 00057- 00	60
Y24- 00338- 00	60
Y24- 00502- 00	36
Y24- 00511- 00	36
Y25- 00001- 03	53
Y25- 00011- 00	42, 81, 82, 83, 84, 85
Y26- 00005- 00	73, 77
Y26- 00005- 01	73, 75, 79
Y26- 00021- 98	88
Y26- 00033- 03	8, 9
Y26- 00079- 00	73, 75, 77, 79
Y27- 00256- 01	89
Y27- 00256- 02	89

Part #	Page #
Y27- 00265- 00	77
Y27- 00265- 01	77
Y27- 00267- 00	77
Y27- 00344- 00	79
Y28- 00068- 00	64
Y28- 00068- 01	64
Y35- 00001- 00	45, 46, 47, 48, 49, 50, 51, 53, 54, 56
Y35- 00005- 00	47, 48, 49, 50, 51, 54
Y35- 00012- 00	54
Y35- 00012- 02	54
Y35- 00012- 03	54
Y35- 00014- 00	54
Y35- 00048- 00	56
Y35- 00049- 00	56
Y35- 00049- 01	54
Y35- 00051- 00	54
Y35- 00052- 00	54, 56
Y37- 00007- 00	34
Y37- 00027- 00	34
Y38- 00012- 01	6
Y39- 00039- 05	34
Y39- 00047- 00	1
Y45- 00006- 00	87
Y45- 00007- 00	69, 70

Every driver deserves the best possible vehicle climate with MCC products

MCC provides exceptional performance in mobile climate comfort.



www.mcc-hvac.com

Member of MCC Group • Certified ISO 9001 and ISO 1 4001.
Specifications subject to change without notice. MCC is a registered trademark.